



### Please Read Before Installation



#### IMPORTANT

Please read these instructions carefully before you start to assemble this greenhouse.  
Please carry out the steps in the order set out in these instructions.  
Keep these instructions in a safe place for future reference.

#### Care and Safety advice

- \* Please follow the instructions as listed in this manual.
- \* Sort the parts and check against the list of contents.
- \* For safety purposes we strongly recommend that the product will be assembled by at least two people
- \* Some parts have metal edges. Please be careful when handling components.
- \* Always wear gloves, shoes and safety goggles during assembly.
- \* Do not attempt to assemble the carport in windy or wet conditions.
- \* Dispose of all plastic bags safely - keep them out of reach of small children.
- \* Keep children away from the assembly area.
- \* Do not attempt to assemble the carport if you are tired,
- \* When using a stepladder or power tools, ensure that you are follow the manufacturer's safety advice.
- \* Do not climb or stand on the roof.
- \* Heavy articles should not be leaned against the poles.
- \* Please consult your local authorities if any permits are required to erect carport.
- \* Keep roof and gutters clean of snow, dirt & leaves.
- \* Heavy amounts of snow on roof can damage the carport making it unsafe to stand below or nearby.
- \* This product was designed and produced to be a carport only.

#### MAINTENANCE NOTES

1. In case of a defective or damaged part, or for any other questions concerning the product, please contact the manufacturer directly.
2. Please have the parts list and part numbers on hand when ordering or requesting replacement parts.
3. When cleaning, use mild soap or detergent, warm water, and a washcloth or sponge.
4. While the product is designed for 4 seasons use, it is strongly recommended to clear snow from the roof on a regular basis.

#### LIMITATIONS ON THE WARRANTY

1. The product is not warranted against damages due to vandalism, abuse, or falling or thrown objects.
2. The product is not warranted against damages due to extreme weather conditions, such as thunderstorms, hail, strong wind or snow storms, or any other acts of God.
3. The product is only warranted in the event it is installed in accordance with the Transpa Forza written instructions enclosed with the product.
4. The product is not warranted in the event it has been improperly anchored.

#### SOIL PREPARATION

##### Before Starting Assembly

This carport must be assembled on a solid base (such as concrete or asphalt). Choose your site carefully before beginning assembly. Site surface (mainly below poles) needs to be level.

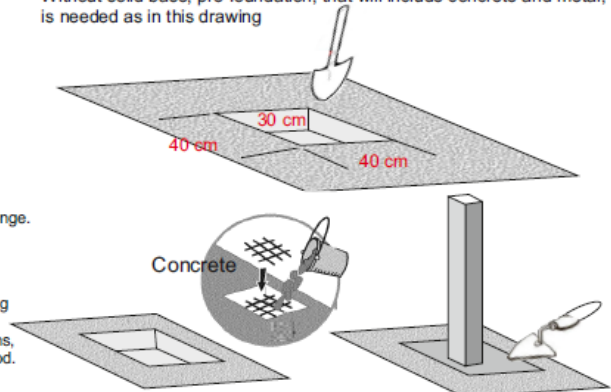
##### IN CASE THE GRAOUND IS 25 cm CONCRETE

And the post is 200 cm from the ground, make the connections with the connecting structure

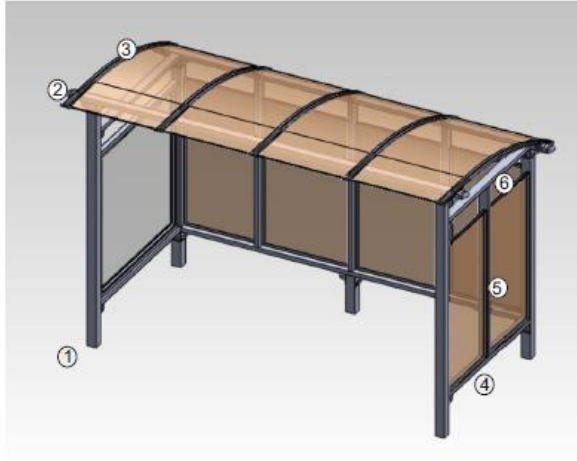


##### IN CASE THE GRAOUND IS SOIL , ASPHALT , PAVEMENT STONE

Or the column post is more than 200 cm from the ground  
Without solid base, pre-foundation, that will include concrete and metal, is needed as in this drawing



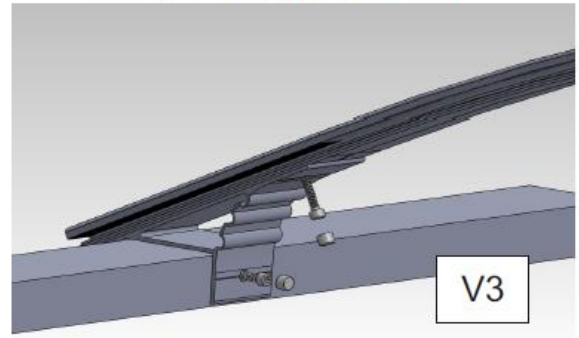
Prepare the holes of 40x40x30 cm for all the post.  
Make a anchorage, and fill with concrete



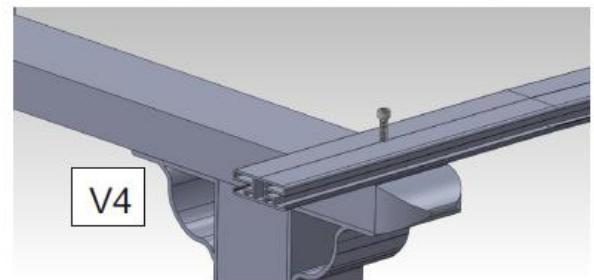
DESCRIPTION OF PROFILES

- 1 Post profiles
- 2 Roof Carrier profiles
- 3 Roof profiles
- 4 Side sheet horizontal support profiles
- 5 Side sheet vertical support profiles
- 6 Side support profiles

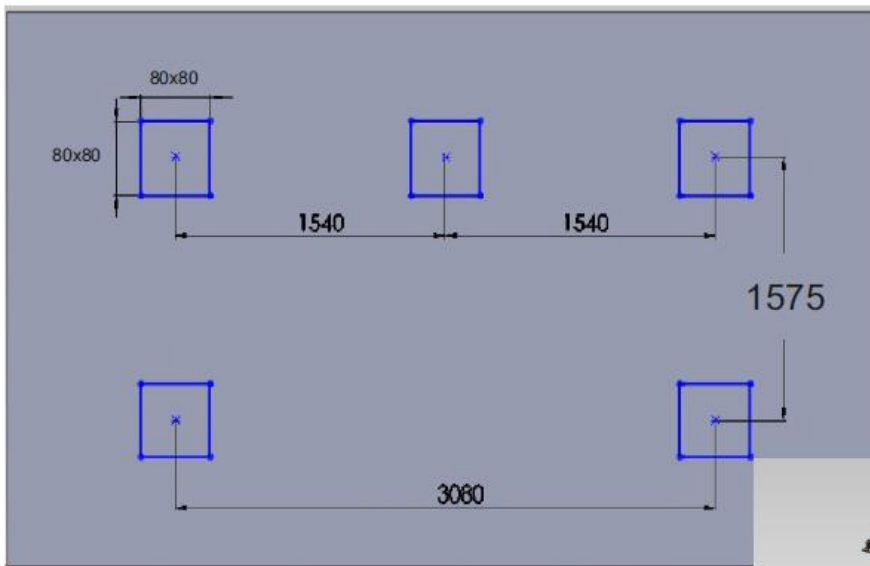
2-Installation of fittings to the roof profiles



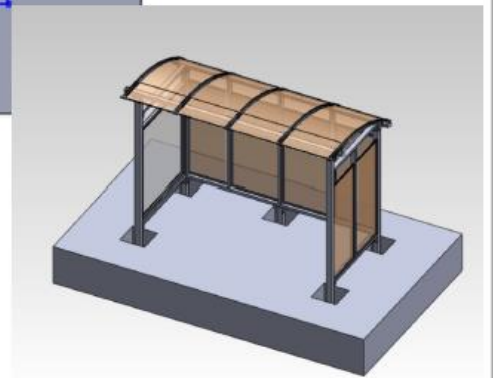
Connect with screw V3 fittings on both sides of the roof profile



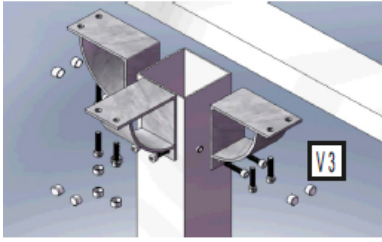
Connect with screw V4 the roof profile to the carrier profile



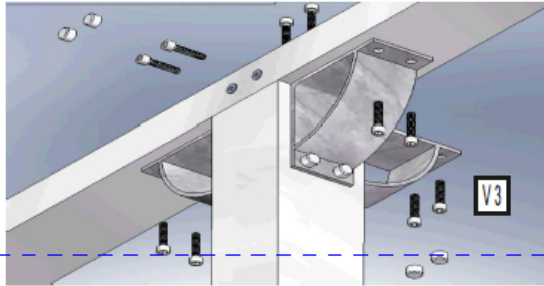
Layout of Foundations



### 3- Connection of side carrier & post profile..



Connect the angle to the post profile (V3)



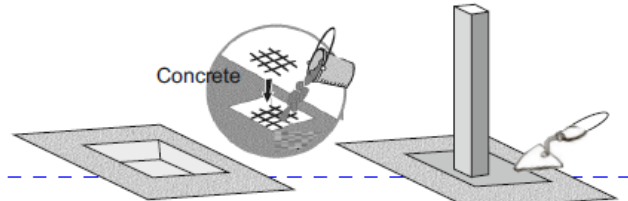
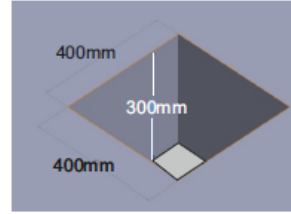
Connect the angle and post profile to the side carrier profile with the screw V3

### 4- Post Installation **IN CASE THE GROUND IS CONCRETE**

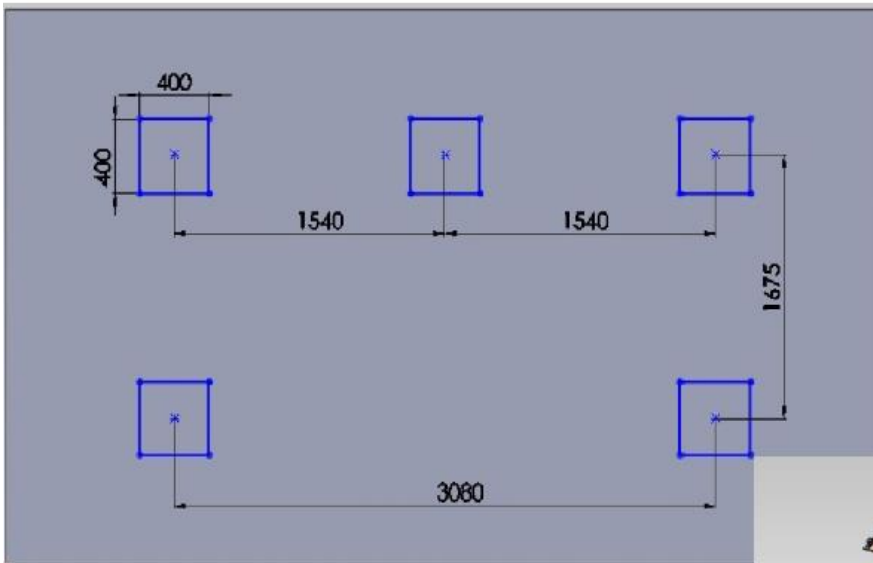
If the post is 200 cm from the ground, make the connections with the connecting structure

### **IN CASE THE GROUND IS SOIL , ASPHALT , PAVEMENT STONE**

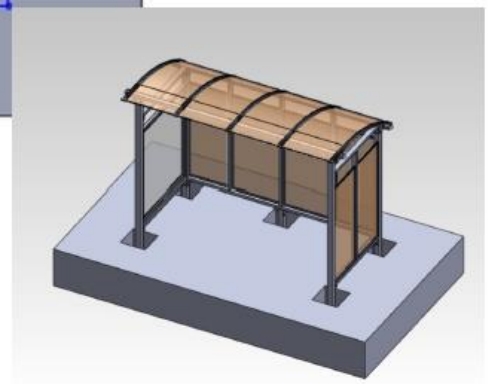
Or the column post is more than 200 cm from the ground Without solid base, pre-foundation, that will include concrete and metal, is needed as in this drawing



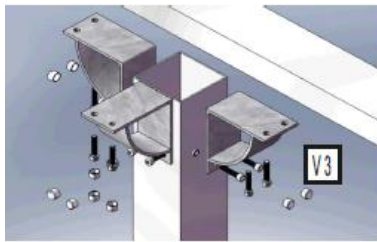
Prepare the holes of 40x40x30 cm for all the post. Make a anchorage ,and fill with concrete



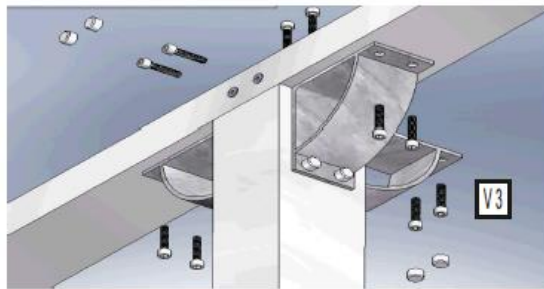
Layout of Foundations



### 3- Connection of side carrier & post profile..



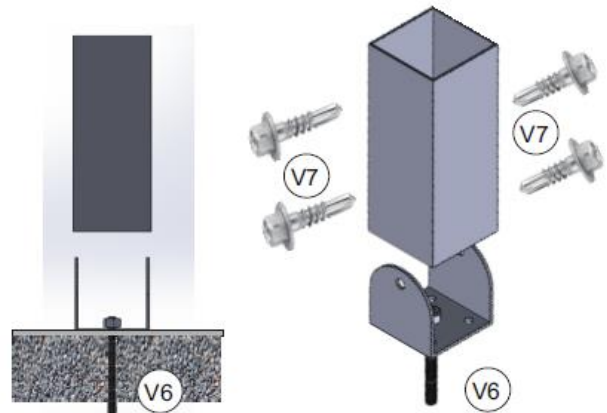
Connect the angle to the post profile (V3)



Connect the angle and post profile to the side carrier profile with the screw V3

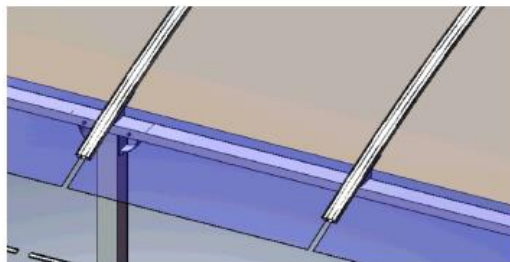
### 4- Post Installation **IN CASE THE GROUND IS CONCRETE**

If the post is 200 cm from the ground, make the connections with the connecting structure

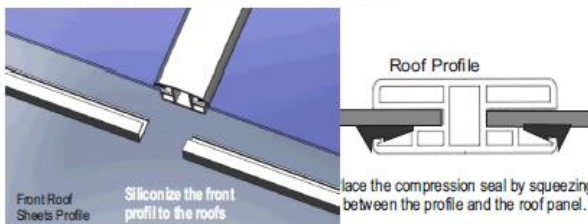


Screw the floor and place the screw V6 with chemical anchor. After the frozen off anchor, place the post connection flange and screw it. Then place all the post profile and tighten with the screw V7.

### 5 Installation of roof panel



Divide the roof panel between the two roof profiles.



Front Roof Sheets Profile

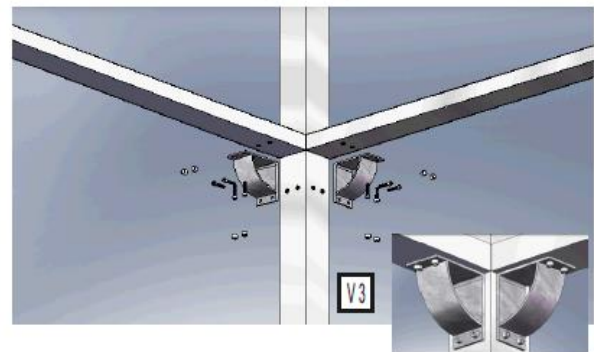
Siliconize the front profile to the roofs

Place the compression seal by squeezing between the profile and the roof panel.

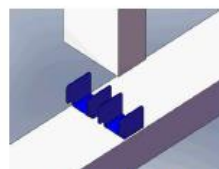


close the profile with the end cup

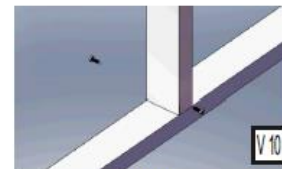
### 6 Connection of Side sheet horizontal and vertical support profiles



Assembly the bottom sheet support profiles with the corner part, Tighten the corner part with the screw V3

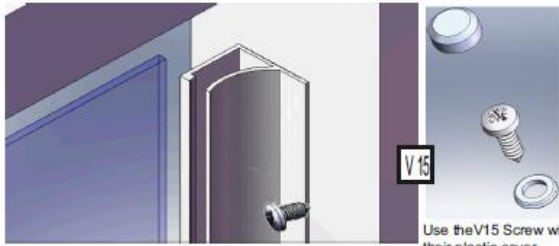


Place the vertical profile to the horizontal profiles



Screw from bottom and up side with screw V10

## 7 Installation of sheet profile and sheets

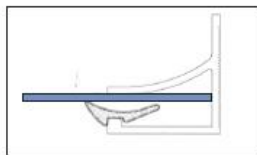
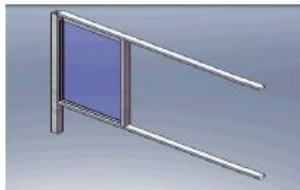


Place the sheet profile and fix with screw V15 from one side



Slide the sheet on the gap of sheet profile

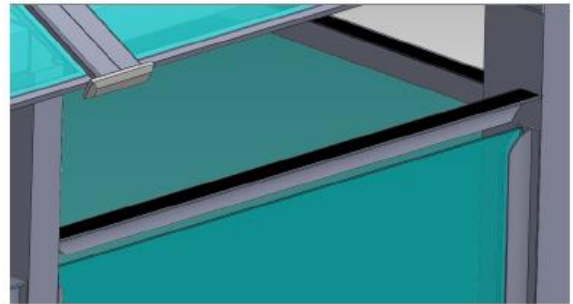
Place the bottom sheet profile squeeze the profile with screw ...



After to complete the sheet frame, Place the compression seal by squeezing it between the profile and the roof panel.



Complete all the installations side sheet

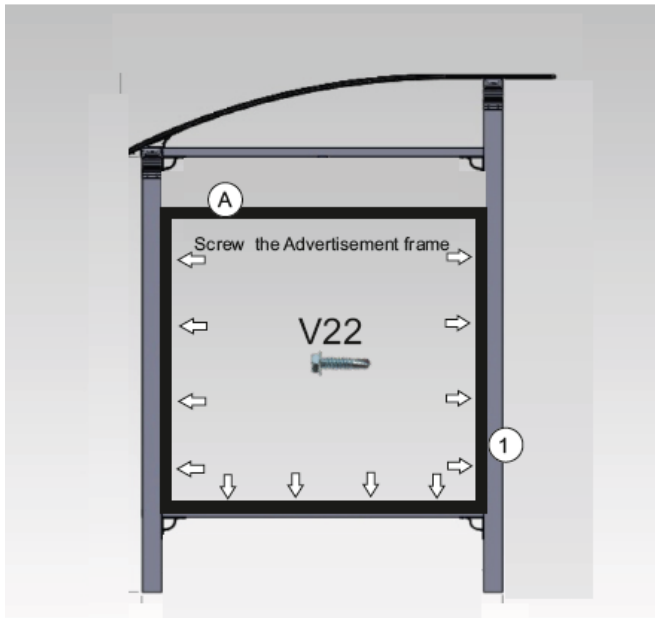


After to close all the frame cover the upper side of sheets Use a thin layer of silicon to the gap of upper profile

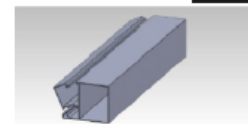
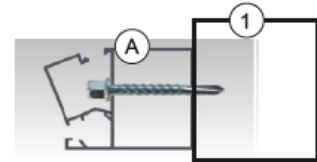
**semcom**  
Designer - Developer - Producer

[www.tfsem.com](http://www.tfsem.com)

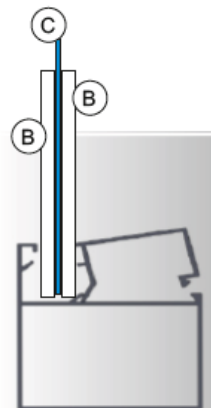
## 8 Installation of advertisement frame



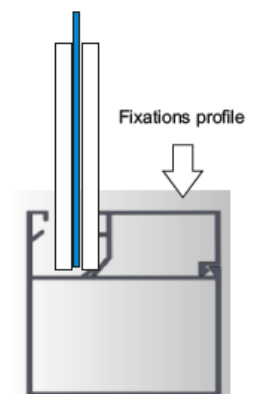
After to complete all the installations, assembly and place the advertisement frame



A Frame profile  
1 Post profile



Emplace between the two sheet B the advertisement wallpaper C



After the last settings close the fixations profile

