

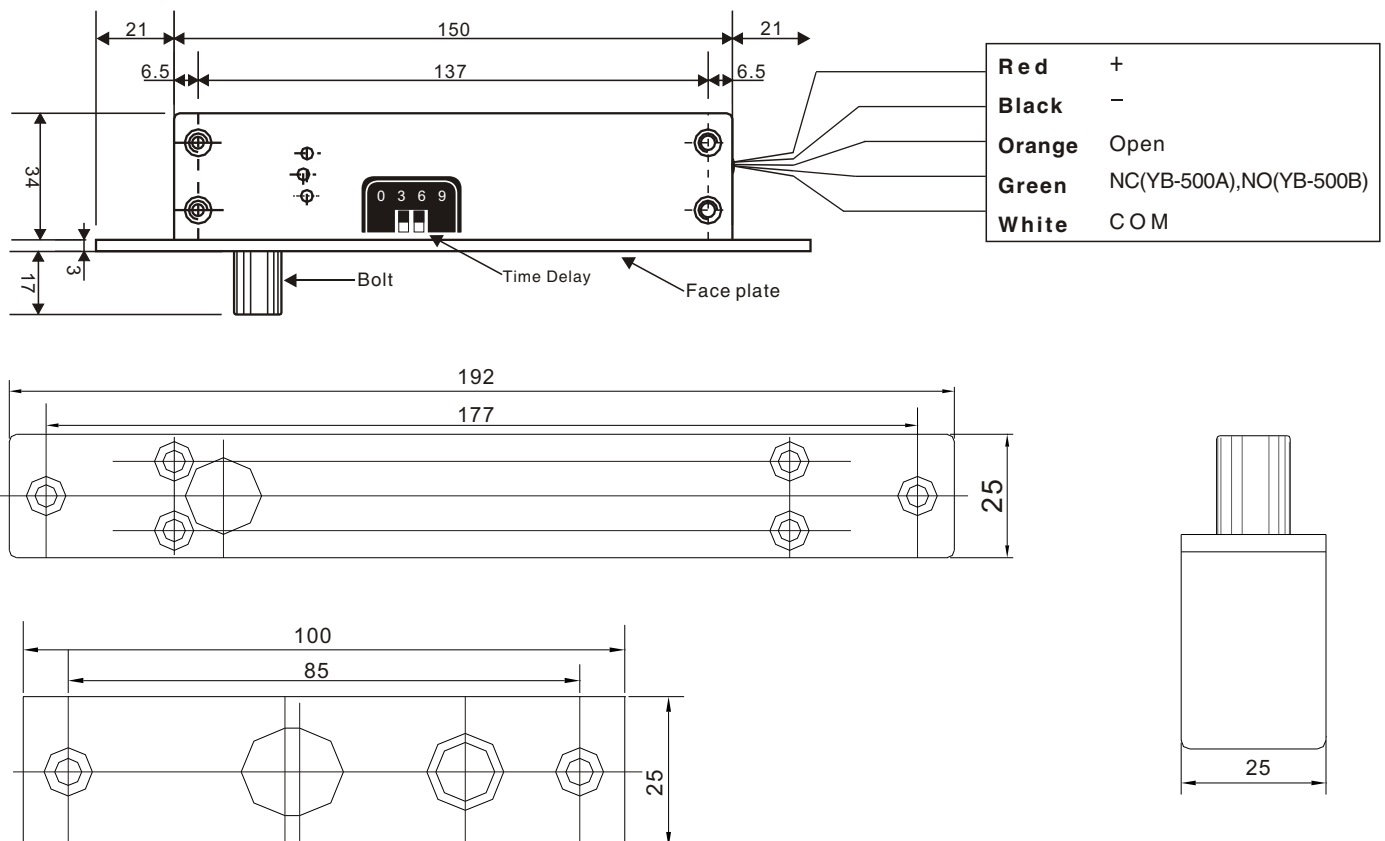


## Fail Safe(Secure) Sturdiness Electric Bolt W/Narrow Panel Model:YB-500A/B

### Parameters

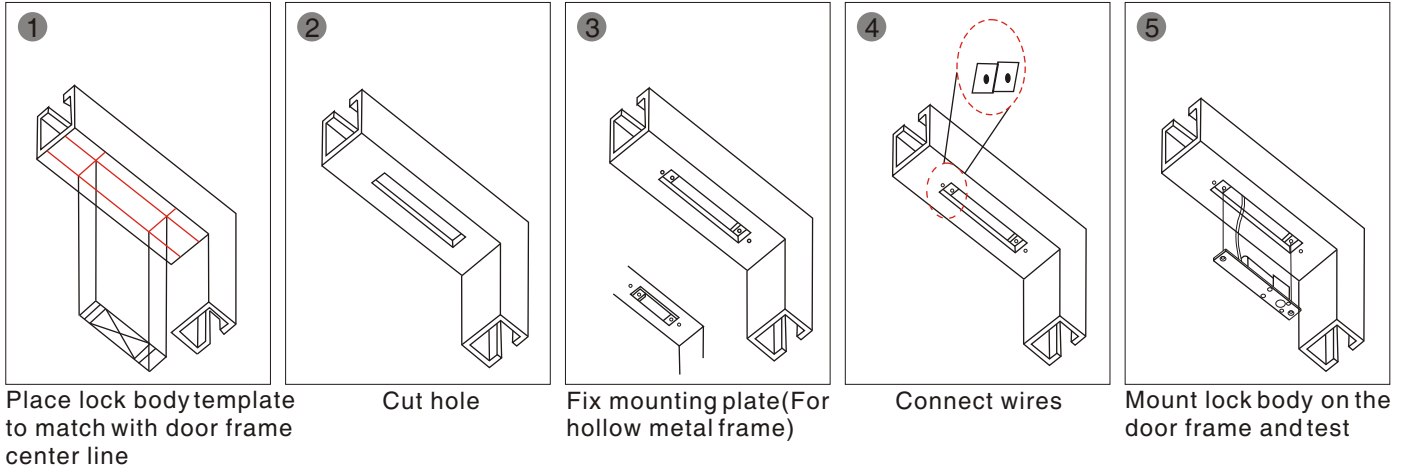
Face Plate	192Lx25Wx27H(mm)
Strike	100Lx25Wx3H(mm)
Decorative Panel	215Lx40Wx0.5H(mm)
Bolt	16mmDIA, stainless steel 16mm throw
Signal Output	NC/COM(YB-500A), NO/COM(YB-500B)
Time Delay	0/3/6/9 sec
Voltage	12VDC
Current	Start 960mA, Standby 130mA
Fail Safe	Fail Safe(YB-500A), Fail Secure(YB-500B)
Suitable for	Wooden door, metal door
Weight	0.74kg

### Dimensions





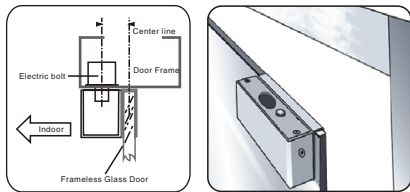
## Installation



## Installation Schematic

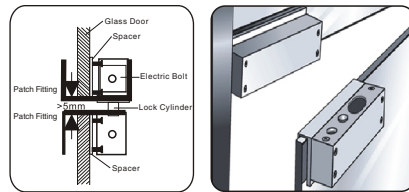
### Frameless Glass Door

Suitable for 10-15mm glass door, ABK-600/601/602 for Frameless Glass Door.



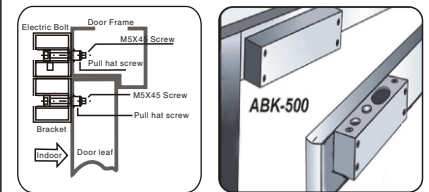
### Fully Frameless Glass Door

ABK-700 for Fully Frameless Glass Door



### Aluminium Bracket for Narrow Door

ABK-500 for Narrow Door



## Wiring Diagram

