



Medical Tubes

Tracheostomy tube

Made from non-toxic PVC
 Be used in Tracheostomy
90° CURVATURE
 With 15mm standard connector
 X-ray opaque line throughout the length of the tube
 Available with of standard low pressure cuff and without cuff
 Pre-connected neck-tape

GT015-100 Tracheostomy Tube
 With cuff
 Size: 5.0mm-10.0mm
 Packed in individual Hard Blister Bag
 100pcs/ctn, Dimension: 45X39.5X32cm
GT015-200 Tracheostomy Tube
 Without cuff
 Size: 3.0mm-10.0mm
 Packed in individual Hard Blister Bag
 100pcs/ctn, Dimension: 45X39.5X32cm

NINGBO GREENTMED MEDICAL INSTRUMENTS CO.,LTD.
 WEB: http://www.greentmed.com E-MAIL: info@greentmed.com

REINFORCED
 ENDOTRACHEAL
 TUBES

GT016-100 Guedel Airways

Made from semirigid non-toxic polyethylene.
 Color-coded bite back
 Guedel style enclosed center channel
 Packed in individual PE Bag

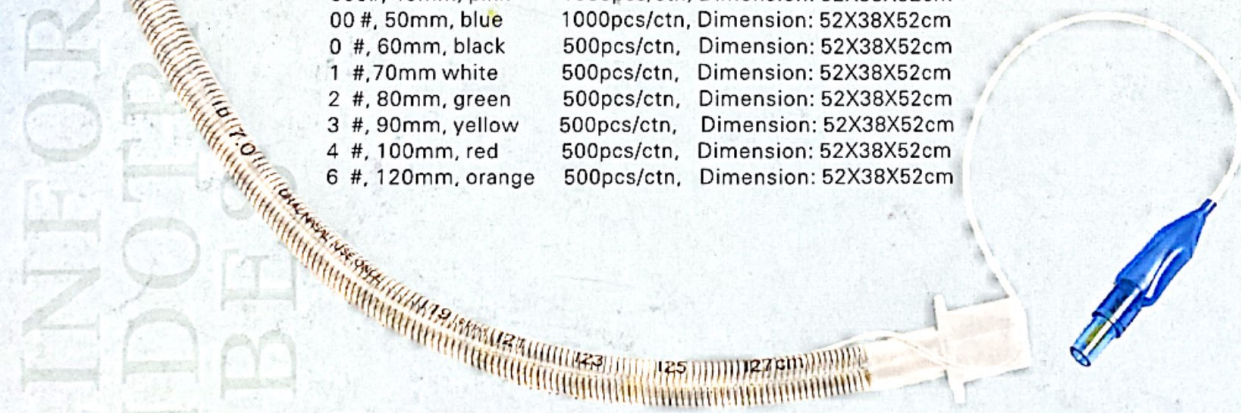
Size available:

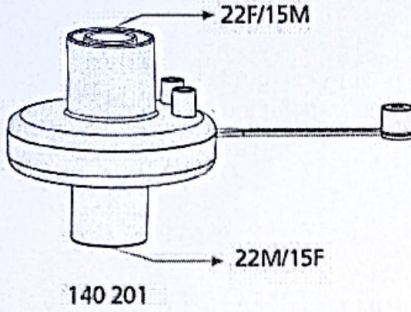
000#, 40mm, pink	1000pcs/ctn, Dimension: 52X38X52cm
00 #, 50mm, blue	1000pcs/ctn, Dimension: 52X38X52cm
0 #, 60mm, black	500pcs/ctn, Dimension: 52X38X52cm
1 #, 70mm white	500pcs/ctn, Dimension: 52X38X52cm
2 #, 80mm, green	500pcs/ctn, Dimension: 52X38X52cm
3 #, 90mm, yellow	500pcs/ctn, Dimension: 52X38X52cm
4 #, 100mm, red	500pcs/ctn, Dimension: 52X38X52cm
6 #, 120mm, orange	500pcs/ctn, Dimension: 52X38X52cm



GT014-700 Reinforced Endotracheal Tubes(Oral / Nasal)(With / Without Cuff)

Made from non-toxic PVC
 It provides positive tracheal wall seal
 Suitable for any patient positions, especially for OPS of decubitus
 Packed in individual Blister bag

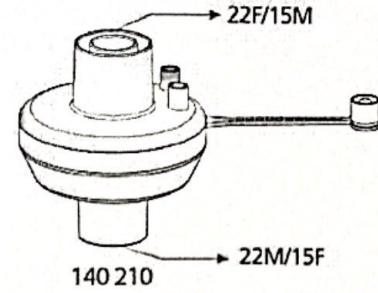




140 201

- BFE (Bakteriyel Filtre Etkinliği) %99.99998
- VFE (Viral Filtre Etkinliği) %99.9998
- Gaz Örnek Alma Portu
- Düşük Ölü Boşluk
- Düşük Akış Direnci
- Steril

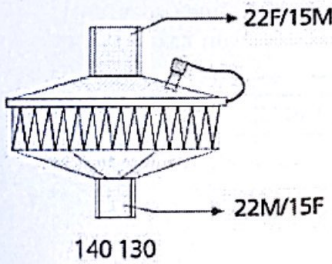
- BFE (Bacterial Filtration Efficiency) %99.99998
- VFE (Viral Filtration Efficiency) %99.9998
- Gas Sampling Port
- Low Dead Space
- Low Flow Resistance
- Sterile



140 210

- BFE (Bakteriyel Filtre Etkinliği) %99.99998
- VFE (Viral Filtre Etkinliği) %99.9998
- 500 ml Tidal Hacim ile Nem Çıkış Değeri 33.2 mg/lt
- Gaz Örnek Alma Portu
- Düşük Ölü Boşluk
- Düşük Akış Direnci
- Steril

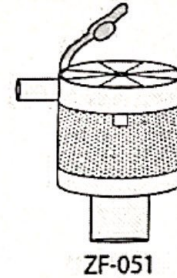
- BFE (Bacterial Filtration Efficiency) %99.99998
- VFE (Viral Filtration Efficiency) %99.9998
- Moisture Output at 500 ml Tidal Volume 33.2 mg/lt
- Gas Sampling Port
- Low Dead Space
- Low Flow Resistance
- Sterile



140 130

- BFE (Bakteriyel Filtre Etkinliği) %99.9999
- VFE (Viral Filtre Etkinliği) %99.9999
- Gaz Örnek Alma Portu
- Düşük Ölü Boşluk
- Düşük Akış Direnci
- Steril

- BFE (Bacterial Filtration Efficiency) %99.9999
- VFE (Viral Filtration Efficiency) %99.9999
- Gas Sampling Port
- Low Dead Space
- Low Flow Resistance
- Sterile



ZF-051

- 500 ml Tidal Hacim ile Nem Çıkış Değeri 24 hr: 28.8 mg/1 lt H₂O
- Aspirasyon Portu
- Oksijen Portu
- Düşük Ölü Boşluk
- Düşük Akış Direnci
- Steril

- Moisture Output at 500 ml Tidal Volume 24 hr: 28.8 mg/1 lt H₂O
- Suction Port
- Oxygen Port
- Low Dead Space
- Low Flow Resistance
- Sterile

KOD / CODE	FİLTRE / FILTER	KOLİ ADEDI / QUANTITY PER BOX
140 201	BAKTERİ FİLTRESİ BACTERIAL FILTER	100
140 210	HMEF (BAKTERİ VE NEM) FİLTRE HMEF (BACTERIAL AND MOISTURE) FILTER	100
140 130	HEPA FİLTRE HEPA FILTER	100
ZF-051	TRAKEOSTOMİ HME FİLTRE TRACHEOSTOMY HME FILTER	400

MEGA STAR

Disposable Syringe W/Catheter Tip 100ml

Code 91007-100/111011

100ml

1. Sterile Non Toxic, Non Pyrogenic.
2. Discard after use.
3. For single use only. Valid for three years.
4. Do not use if the package is opened or damaged.

Superior
MEDICAL SUPPLY COMPANY
10000 W. 10th Street, Omaha, NE 68131

100ml
[Barcode]
100ml
100ml
100ml

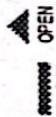
Made in China

NEEDLE POINT IS SHARP AND SHOULD BE USED WITH CARE

MEGA STAR

Disposable Syringe W/Catheter Tip 100ml

Code:GT037-100/11110111



1. Sterile, Non-Toxic, Non-Pyrogenic.
2. Discard after use.
3. For single use only, Valid for three years.
4. Do not use if the package is opened or damaged.

Importator:
IM Natusana SRL, str. Mihai Eminescu 31, or. Codru, Republica Moldova.
Exportator:
VANSUN MEDICAL EQUIPMENT (FUJIAN) CO., LTD.



STERILE

LOT:



Made in China

Produs pentru IM Natusana SRL de catre Vansun International