

Certificate of Conformity

VWR Catalogue Number	See List
Description	PCR tubes with Cap
Country of Origin	Manufactured in USA
Date of Issue (yyyy-mm-dd)	2024-02-15

Catalogue Number	Description	Colour	Capacity [mL]
732-0548	Individual PCR tubes, with attached flat caps	Clear	0.2
732-0547	Individual PCR tubes, with attached domed caps	Clear	0.2

Quality System Compliance

Products are manufactured under the **ISO 9001:2015** standard. Products are inspected and controlled through whole production processing in accordance with current applicable product specifications and QC SOP.

QC Testing

Representative products samples are collected and inspected in accordance with current applicable QC requirements.

Product Specifications

The product is in conformance with the requirements of the following standards and regulations:

Material	Polypropylene. Compliance with FDA 21 CFR 177.1520 & USP Class VI standard.
Sterilization	Non-Sterile.
ATP Assay	Product is certified as ATP free.
DNase & RNase Free	The above products are free of any detectable DNase/RNase contamination.
DNA Free	Product is DNA free.

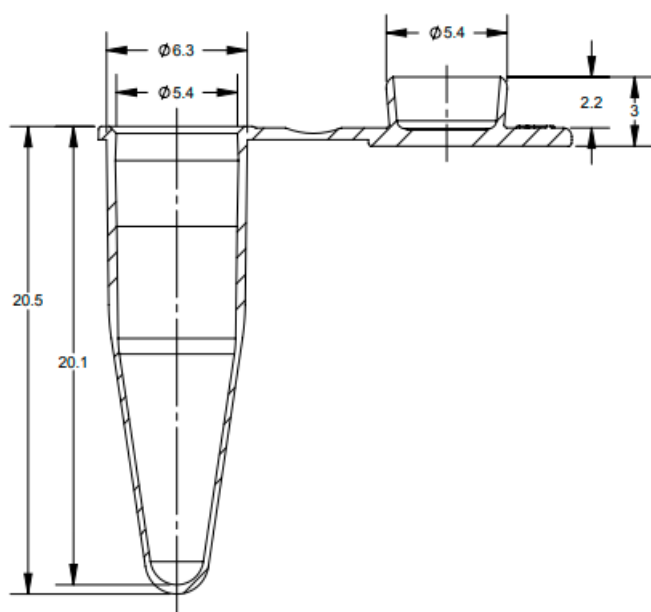
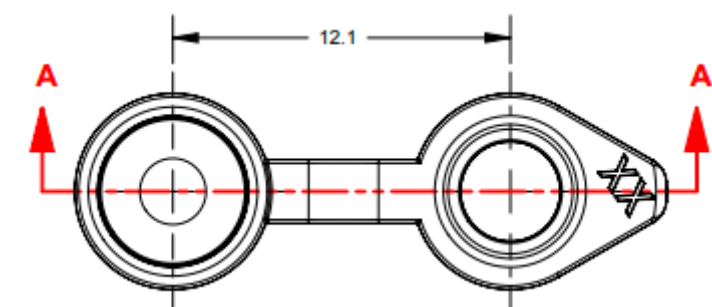
BSE/TSE	No use of any raw material produced from or substances derived from animal origin. The manufacturing process of the product does not use any ingredient of animal origin and no material derived from or exposed to animals affected by or under quarantine for transmitting Animal Bovine Spongiform Encephalopathy/Spongiform Encephalopathy (BSE)/(TSE).
Cytotoxicity	Products are free of cytotoxicity effects.
Non-Pyrogenic Statement	The acceptance level for product is 0.05 EU/mL (LAL Gel Clot Method).
Latex Statement	The above products are not made from natural rubber latex.
BPA Statement	Bisphenol are not used in the manufacture of the raw material and are not expected to be present.
DEHP Statement	Please see RoHS information below.
RoHS	No substances (Lead, Cadmium, Mercury, Hexavalent Chromium (Cr6+), Poly Brominated Biphenyls (PBB), Poly Brominated Diphenyl ethers (PBDE), Bis(2-Ethyhexyl) Phthalate (DEHP), Benzyl Butyl Phthalate (BBP), Dibutyl Phthalate (DBP), Diisobutyl Phthalate (DIBP)) are used in manufacturing the raw materials and final product. No routinely analysis is performed.
REACH Statement	No substances as listed on >Substance of Very High Concern< candidate list published 2023-06-14 are used in manufacturing of the raw materials used to produce this product. No routinely analysis is performed.
Storage Conditions	Store in room temperature.
Shelf Life	5 years after manufacture.

Disclaimer: VWR states that this declaration will not discharge the user from their obligation to ensure the product is suitable for the intended use. The purpose of the product is for use in laboratory only.
This document has been produced electronically and is valid without a signature

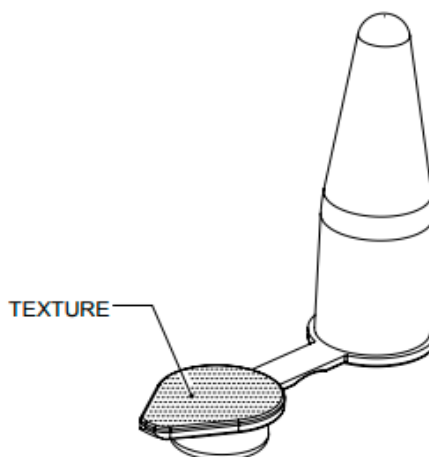
Annex

Technical Drawing

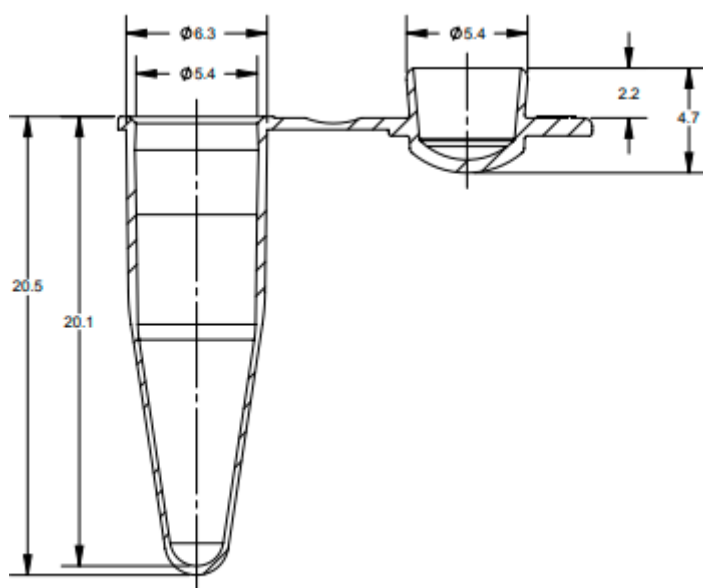
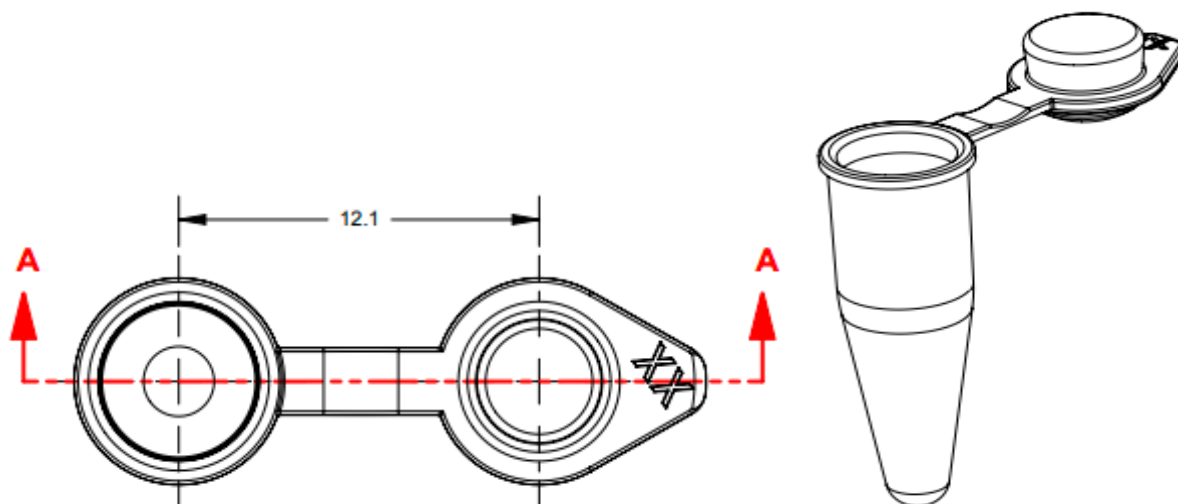
732-0548



SECTION A-A
SCALE 4 : 1



732-0547



SECTION A-A
SCALE 4 : 1

