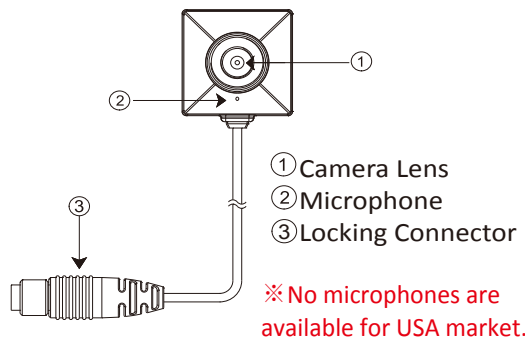
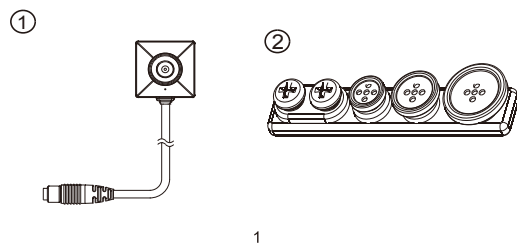


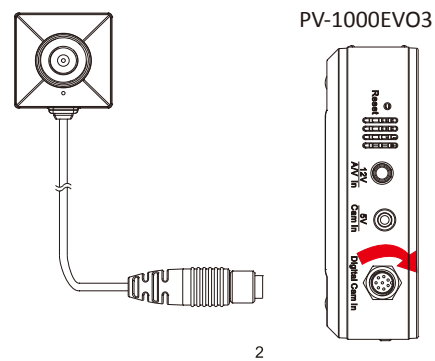
1. Names and Parts



2. Package Content



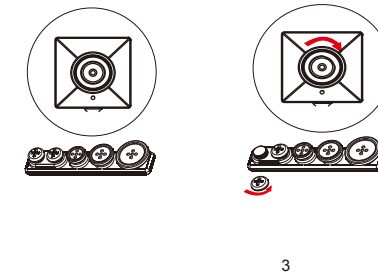
3. Camera Setup Illustration



To connect the camera to the DVR, fully plug the camera's connector end into the Digital Cam In port on the DVR, then lock the connector firmly by rotating it to the direction of the red arrow.

- ※ Only connect the camera to DVR when the DVR is powered off.
- ※ Before turning on the DVR, make sure the camera is properly connected.
- ※ CMD-BU20LX is only compatible with PV-1000EVO3.

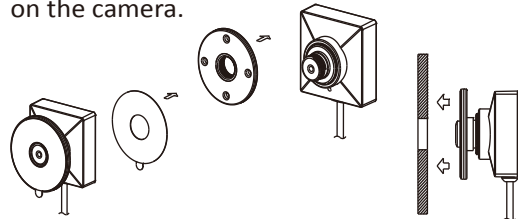
4. Put on Lens Covert Cap (Button and Screw)



1. Unscrew the preferred lens cover cap at counterclockwise direction to remove it from the set.
2. Place the removed lens cover cap onto camera lens.
3. Screw at clockwise direction to attach the cap to the camera.

5. Put on DIY Lens Cover Button

Stick the tape on the button and screw it on the camera.

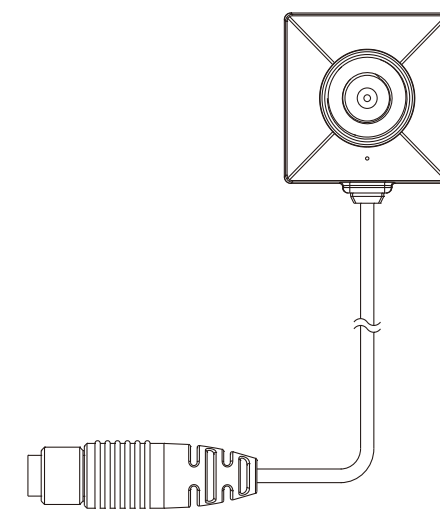


- ※ Do not remove serial number sticker!
- Warranty is invalid if the sticker is tampered.

6. Specification

Resolution	
Sensor Resolution	2.16M pixels
Pixel Size	2.9um(H) x 2.9um(V)
Digital Picture Resolution	(H)1920 x (V)1080
Video System	NTSC and PAL
CMOS Camera Module	
Built-in image sensor	Progressive 1/2.8 inch SONY CMOS
Illumination Sensitivity	0.03 Lux @ F2.0 50IRE
Lens F/No	F2.0
Lens Diameter	4.3 mm
Angle of View	78.2°
Depth of Field	50 cm ~ ∞
Electronic Shutter	1/8 ~ 1/30,000
Video Output	
Video Output	BT656 Data
Audio Output	
Audio Output	2 Vp-p (MAX) 10 KHz ohms Impedance
Microphone	
S/N Ratio	36 dB (MAX)
Power	
Power Supply Voltage	DC 3.3 V ± 5%
Power Supply Current	200 mA
Physical	
Operating Temperature	-10°C ~ 60°C
Operating Humidity	20 ~ 90%
Storage Temperature	-30°C ~ 80°C
Dimension	25x25x18 mm
Weight	10 g

CMD-BU20LX 2.16MP Full HD Button Camera Quick Guide



LawMate, innovation never stops

LawMate®