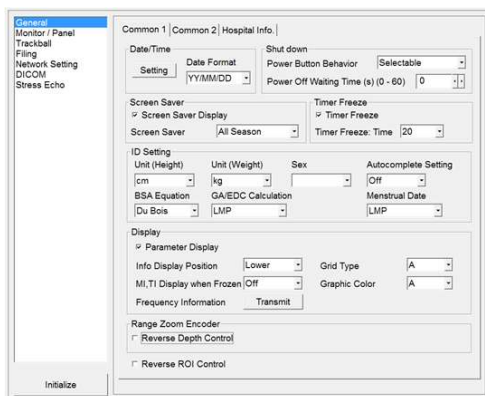


3.8.3 Adjusting the date and time

Adjust the date and time displayed by the system.

Procedure

1. Press the [Probe/Preset] key.
2. Select [Preset Setup] on the touch panel.
3. Select [SystemPreset].
4. Select [General].
5. Select the Common1 tab.
6. Adjust date and time.



- a. Select [Setting] from Date/Time.
→ "The date and time properties" are displayed.
- b. Adjust date and time.

To change the date and time display format:
Select a display format in the Date Format field.

7. Select [Save].

3.9 Adjusting the operation panel and monitor

You can adjust the distance to, and the angle of, the user interface so that it suits the examiner. You can adjust the brightness of the monitor and the touch panel to match the environment.

3.9.1 Adjusting the height of the operation panel

Adjust the height of the operation panel by using the panel's up-and-down pedal at the front of the system.

Prior confirmation

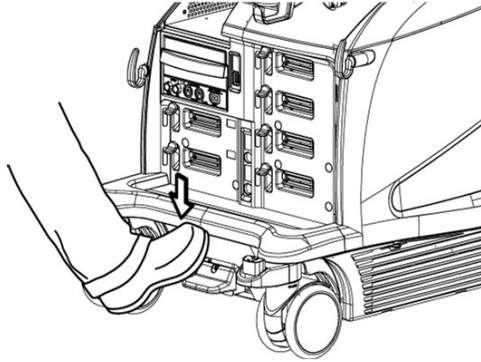
Remove any objects placed on any installed options, or on the operation panel.

NOTE: Do not place objects on top of installed options or on the operation panel.

Procedure

1. Depress the caster locks for the front wheels to lock the front wheels in place.
2. Adjust the height of the operation panel by holding the handle with both hands while stepping on the up-and-down pedal of the panel.

NOTE: When adjusting the height of the operation panel, grasp the operation panel handle, not the operation panel or probe holder.



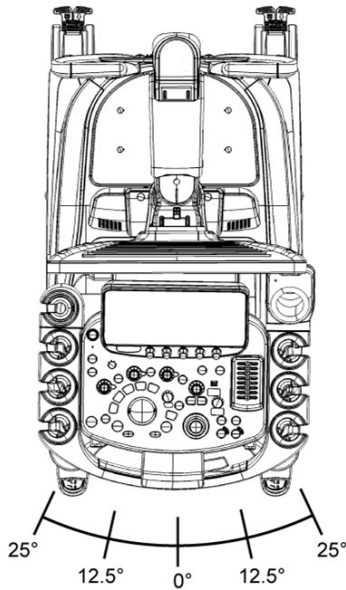
3. Release the up-and-down pedal of the operation panel to lock the height of the operation panel.

3.9.2 Rotating the operation panel

The operation panel can be used in 5 positions. In addition to the front position, the panel can be rotated 12.5 degrees or 25 degrees to the right or left.

Procedure

1. If you are using an optional alphanumeric keyboard, push the keyboard until it clicks.
NOTE: Be careful not to get your fingers caught between the alphanumeric keyboard and the operation panel handle.
2. While holding the handle lever for the operation panel, rotate the operation panel.
If you let go of the lever, the orientation of the operation panel is locked.



NOTE: When rotating the operation panel, grasp the operation panel handle, not the operation panel or probe holder.

NOTE: The operation panel might rotate even if you are not holding the handle lever for the operation panel. This is a design feature, and is not a malfunction.

If the operation panel is rotated repeatedly without holding the handle lever for the operation panel, the operation panel's ability to maintain its orientation might change. Make sure that you hold the lever when rotating the operation panel.

3.9.3 Adjusting the monitor height or orientation

CAUTION



Adjust the position and angle of the monitor, keeping a sufficient distance between the system and the peripheral devices, walls, and people.

Do not knock the monitor against the touch panel, USB-connected storage medium, cable hook, probe, probe holder, operation panel, or other parts.

Route the probe cables so that they do not become entangled with the monitor, monitor arm, or the handle at the back of the system.

Contact with the monitor might cause injury or might damage surrounding equipment, the walls, the probe, the system itself, the monitor, or the touch panel. Warn doctors, patients, and others in the area before adjusting the position or angle of the monitor.

Should the monitor break and its internal fluid come into contact with the skin, wipe the fluid away and wash the skin in running water for at least 15 minutes. To be on the safe side, consult a doctor. If the fluid gets into contact with an eye, rinse the eye in running water for at least 15 minutes, and consult a doctor immediately.

If the monitor is damaged, stop using the system immediately and contact our office.
