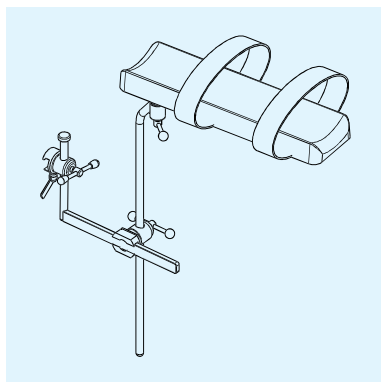


Positioning aids & surgical field assistance

➤ ARMS



Arm support
4-09-011

- Main features:**
- + height adjustment
 - + angular adjustment – vertical, horizontal
 - + ability to offset from the tabletop
 - + anatomically shaped pad



Arm support
4-09-011 v2

- Main features:**
- + angular adjustment – vertical, horizontal
 - + integrated side rail clamp
 - + anatomically shaped pad
 - + two straps



Arm support
4-09-012

- Main features:**
- + height adjustment
 - + angular adjustment – horizontal
 - + anatomically shaped pad
 - + two straps



Wrist strap
4-09-023

- Main features:**
- + side rail connected
 - + ergonomic setup
 - + universal size



Toboggan arm & leg guard
800-083

- Main features:**
- + reducing risk for nerve damage in patient's extremities
 - + available in four sizes: small: 152 mm, medium: 203 mm, large: 267 mm
 - + simply slide table pad under the table to secure arms or legs
 - + surgeon may lean against guards without interfering with anesthesia lines



Arm support
4-09-035

- Main features:**
- + arm surgery table
 - + radiotranslucent
 - + soft, anti decubitus pad
- Dimensions:**
800 x 400 mm



Positioning aids & surgical field assistance

➤ ARMS



Arm surgery support, hourglass

800-0040

Main features:

- + dedicated for mid-arm surgical procedures
- + radiolucent for all c-arm x-ray images
- + adjustable leg height with twist handle locking system
- + deluxe foam pad included

Dimensions:

150 mm at middle x 320 mm x 23 mm at table ends.

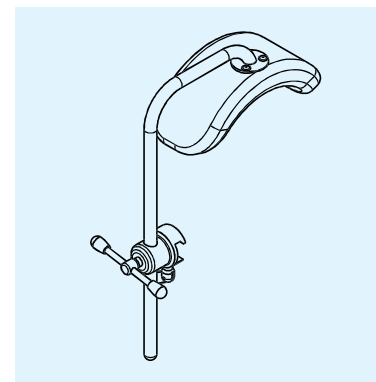


Arm support

4-09-024

Main features:

- + compatible with common anesthesia frames
- + fastened with Velcro
- + easy to use



Arm holder

4-09-013

Main features:

- + height adjustment
- + horizontal rotation
- + U-shaped profile
- + easy to clean



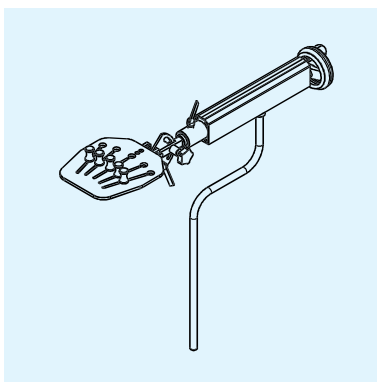
XPS arthroscopic system

800-0280-EU

Main features:

- + portable arm positioner for intra-operative adjustment in beach chair or lateral position
- + available with accessories for elbow, wrist, knee or ankle surgery
- + single release lever releases all joints – locking in place when released

- + no need to have the surgical aid hold the patient's limb during the open or arthroscopic limb procedure



Arm fracture traction device Weiberg roller 4-09-018

Main features:

- + ability to change the angle in horizontal and vertical plane
- + easy to sterilization
- + fitted to any hand
- + easy to assembly



Extremity prep'n'drep positioner

508-0353

Main features:

- + upper or lower extremity positioning device for prepping a patient's arm or leg surgical site
- + sealed seams for easy clean-up

Dimensions:

405 x 305 x 175 mm



Positioning aids & surgical field assistance

➤ ARMS



Elbow arthroscopy support
800-0168

- Main features:**
- + holds the upper extremity for prepping and during surgical procedures
 - + pad can be removed for easy cleaning



A-Line Insertion positioner
800-0143

- Main features:**
- + patient positioning device for all a-line insertions
 - + base provides best angle for hand, wrist, and forearm positioning
 - + two, exclusive 10 x 170 mm soft-edge straps



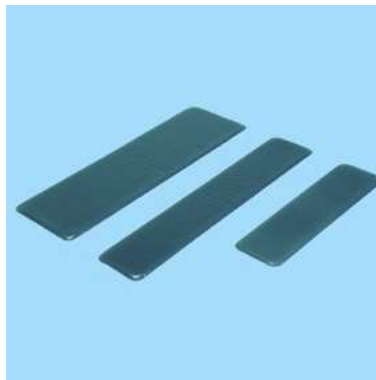
Sokolovski tower
800-0135

- Main features:**
- + simply dial in your tension - eliminates use of sand bags
 - + all components are autoclavable
 - + easily attaches to side rail of surgical table with CamLoc Clamp
 - + improves productivity - eliminates the need for assistant to hold extremity
 - + required CamLoc Clamp sold separately



Azure arm protector
AZ201

- Main features:**
- + the azure arm protector offers excellent protection against nerve damage
 - + surgical positions: supine, prone, lateral
- Dimensions:**
460 x 180 x 35 mm



Oasis armboard pad
OA072

- Main features:**
- + provides the necessary protection whenever the arm is extended on an armboard
 - + fits all types of armboards, all surgical positions
- Dimensions:**
600 x 125 x 10 mm



Oasis ulnar/brachial nerve protector
OA061

- Main features:**
- + essential for providing protection to the sensitive areas of the elbows and arms
 - + surgical positions: supine, prone, lithotomy, lateral
- Dimensions:**
460 x 210 x 8 mm





Carbon fiber arm board

4-9840

Main features:

- + foldable, made of carbon fiber
- + possible to perform X-rays
- + light, durable construction

Dimensions:

673 x 140 mm



Positioning aids & surgical field assistance

➤ LEGS



Platinum surgical stirrups
800-0342-PL

- Main features:**
- + adjustable platinum medical stirrups offers precise placement, effectively minimizing the risk of nerve damage
 - + delivered fully assembled with included boot liners
 - + lithotomy range -30° low to 80° high; adduction -9° and abduction 25°
 - + **272 kg surgical patient weight capacity**



Premium surgical stirrups
800-0342-PR

- Main features:**
- + premium stirrups providing 3-axis control from the handle mimics the anatomy of the human hip
 - + enhanced range of motion allow for -30° for low lithotomy, to 80° high lithotomy; adduction -9° to abduction 25° and also externally rotates out 20°
 - + **181 kg surgical patient weight capacity**



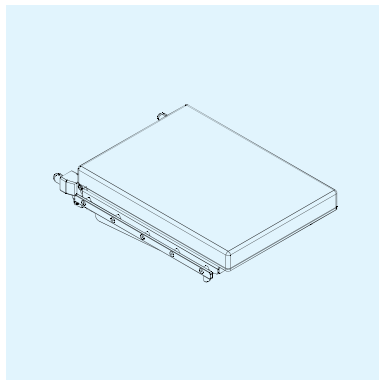
Basic surgical stirrups
800-0049

- Main features:**
- + patient positioning using the lithotomy stirrups features an extended lateral boot design that supports the patient's leg entirely, preventing superficial nerve damage and prevents unwanted leg rotation intra-operatively
 - + **158 kg surgical patient weight capacity**



Multipurpose sectional leg support
4-8958

- Main features:**
- + soft, easy to disinfect
 - + easy to assembly
 - + durable, stable construction



Single piece leg support
4-09-067

- Main features:**
- + soft, easy to disinfect
 - + easy to assembly
 - + durable, stable construction



Carbon fiber leg support

- Main features:**
- + ability to perform X-rays
 - + stable construction
 - + light construction
 - + easy to clean and disinfect



Positioning aids & surgical field assistance

➤ LEGS



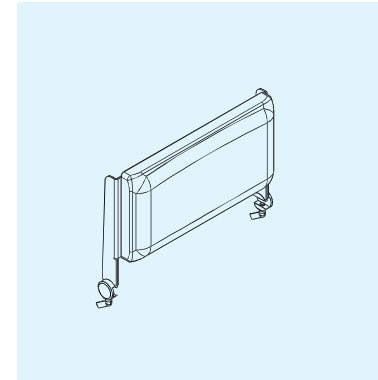
Goepel knee supports (pair)
4-09-010

- Main features:**
- + height adjustment
 - + angular adjustment
 - + anatomically shaped pad
 - + safety straps



Candy cane stirrups
4-09-057

- Main features:**
- + height adjustment
 - + horizontal rotation
 - + lightweight design



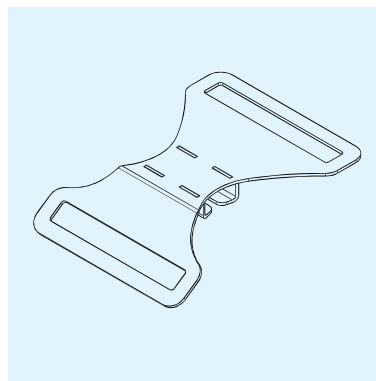
Leg stepper
4-09-037

- Main features:**
- + reverse-trendelenburg feet support
 - + adjustable to fit the patient's height
 - + rigid and reliable
- Dimensions:**
500 x 380 mm



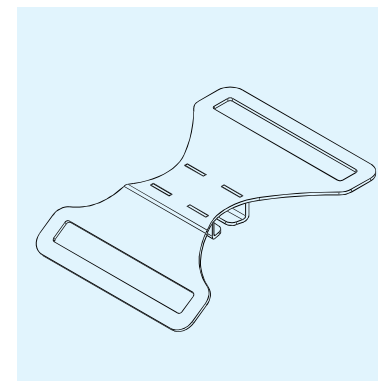
Leg stepper divided
4-09-038

- Main features:**
- + reverse-trendelenburg feet support
 - + adjustable to fit the patient's height
 - + rigid and reliable
 - + divided for legs abduction setup



Leg strap
4-09-020

- Main features:**
- + side rail connected
 - + ergonomic setup
 - + universal size



Thigh strap
4-09-021

- Main features:**
- + side rail connected
 - + ergonomic setup
 - + universal size



Positioning aids & surgical field assistance

➤ LEGS



Bariatric leg straps

Main features:

- + durable
- + fastened with velcro
- + easy to use
- + rounded corners



Gel extremity strap

OA113

Main features:

- + used in many procedures for extra security in maintaining the position of the extremities on the operating table

Dimensions:

315 x 45 x 10 mm



Nissen straps 800-0055

Main features:

- + offers the support needed during steep reverse trendelenburg
- + sold in pairs: 10 mm thick pad to secure each patient's leg, regardless of the patient position's angle on the table

272 kg weight capacity

Dimensions:

480 x 20 x 200 x 50 x 10 mm thick pad



Bariatric Nissen straps 800-0118

Main features:

- + offers the support needed during steep reverse trendelenburg
- + sold in pairs: 10 mm thick pad to secure the patient regardless of the angle of the patient's position on the table

362 kg weight capacity

Dimensions:

720 x 20 mm x 320 mm x 70 x 10 mm thick pad



Thigh holder 4-09-014

Main features:

- + height adjustment
- + reverse-u shape
- + easy setup
- + durable design



Shank holder 4-09-015

Main features:

- + height adjustment
- + reverse-u shape
- + easy setup
- + durable design



Positioning aids & surgical field assistance

➤ LEGS



Leg Prepper 800-0013

- Main features:**
- + padded horseshoe cradle holds the patient's leg comfortably during the prepping procedure
 - + mounting post rotates, raises, and lowers easily to various prepping positions
 - + stainless steel
- Dimensions:**
300 x 50/80 mm



Bilateral Leg Prepper 800-0236

- Main features:**
- + safely and effectively holds both legs for bilateral preps
 - + the unique rotating/pivoting design of the holders allows for unlimited configurations of the lower extremity
- 227 kg patient weight capacity**



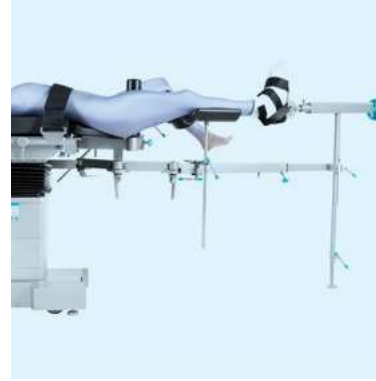
Universal Prepper 800-0161

- Main features:**
- + the universal prepper safely holds upper and lower extremities using a unique pivoting design that allows for infinite positioning in orthopedic procedures
 - + comes complete with 20 mm thick deluxe pad, that can be removed for cleaning



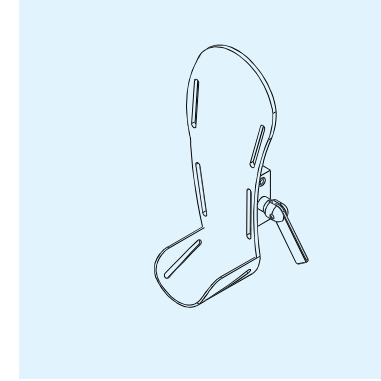
Jackknife attachment 4-09-033

- Main features:**
- + colorectal/lumbar spine kneeling device
 - + fixed at the leg plates
 - + abdomen pressure relief roll included



Lower limbs traction 4-09-100

- Main features:**
- + lower limb fractures table (e.g. tibia, femur)



Pediatric feet grip for lower limb traction 4-09-109

- Main features:**
- + easy to use and regulate
 - + easy to clean and disinfect
 - + stable construction



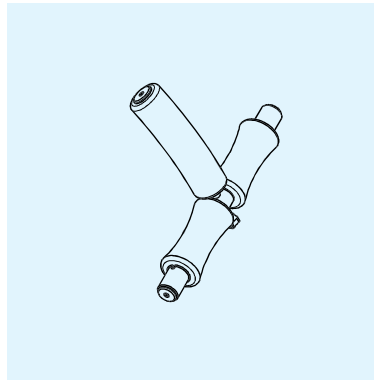
Positioning aids & surgical field assistance

➤ LEGS



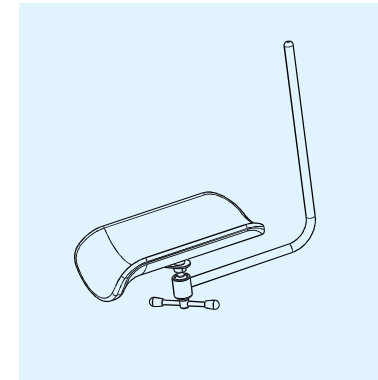
Tibia nailing device for lower limbs traction 4-09-110

- Main features:**
- + tibia nailing device for 4-09-100
 - + safe, rounded countertraction post
 - + lightweight design



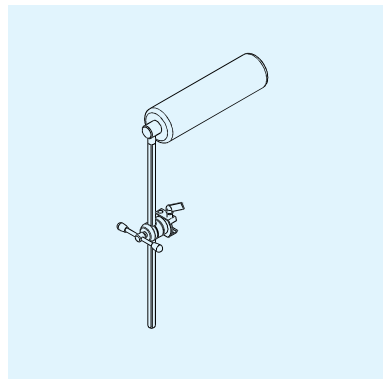
Lateral position countertraction post for lower limbs traction 4-09-120

- Main features:**
- + countertraction post for lateral position for fracture table 4-09-100
 - + anatomically safe shape of pads



Knee support for lateral position with lower limbs traction 4-09-121

- Main features:**
- + knee support for lateral position compatible with fracture table 4-09-100
 - + anatomically shaped pad
 - + includes safety strap



Meniscus surgery / Total knee replacement support 4-09-017

- Main features:**
- + height adjustment
 - + tilt adjustable using radial clamp
 - + safe, rounded pad allows blood flow
 - + durable and easy to clean



Total Knee Replacement support, Lexan 800-0011

- Main features:**
- + total knee replacement leg holder, Lexan version, is radiolucent and lets the surgeon replace the entire knee while the patient's foot is held firmly in place
 - + disposable, conductive, foot pad included



Total Knee Replacement Premium Positioner 800-0141 with 610 mm L Track System 800-0171 with 760 mm L Track System

- Main features:**
- + a ball-track system for total knee replacements
 - + ball joint at the heel of the leg holder places the operative leg in extension, flexion, tilt and rotation
 - + smooth sliding motion for effortless leg positioning
 - + all components are autoclavable



Positioning aids & surgical field assistance

➤ LEGS



Knee surgery attachment 4-09-030

- Main features:**
- + adjustment of height, table offset
 - + thigh size (width)-adjustable
 - + rotary bracket for thigh fixing
 - + safe, rounded post



Arthroscopic Leg Holder 800-0023

- Main features:**
- + versatile, easy-to-use and completely rigid
 - + spring-loaded braces slide into place and snap-lock
 - + clamshell design with velcro® brand fastener that wraps completely over leg-holder
 - + pressure relief foam pad included



ACL leg holder 800-0065

- Main features:**
- + optimal patient positioning with dual independent braces that freely rotate 360° and spread from 30 to 110 mm W to fit any size leg, at any angle
 - + use also for ACL procedures
 - + stainless steel



Saphenous Vein Harvesting Pad 508-0385

- Main features:**
- + the saphenous vein harvest pad holds patient's legs and supports the upper thigh at the optimal position for assessment and harvest of the saphenous vein during coronary bypass surgery
 - + holds legs externally-rotated and slightly-flexed for minimally-invasive, bridging, or open-harvesting procedures

Dimensions:
330 x 210 x 70 mm



Leg protector AZ400

- Main features:**
- + provides overall protection to the heel and leg area
 - + slightly raised behind the knee, the leg protector offers protection to the popliteal nerve and conforms superbly around the leg

Dimensions:
515 x 180 x 40 mm



Premium crutch stirrup pads AZ410

- Main features:**
- + protect the nerves and blood vessels in the leg during lithotomy procedures
 - + match various types of leg holders
 - + the dual-layer pads protect against skin shear and nerve injury
 - + come in pairs

Dimensions:
515 x 180 x 40 mm



Positioning aids & surgical field assistance

➤ LEGS



Elite lateral leg positioner EL800

Main features:
 + used to position the legs in a lateral position for kidney surgery and hip surgery
 + lateral positions
Dimensions:
 650 x 400 x 230 mm



Knee pad EL401

Main features:
 + used for various procedures in the prone position to protect the knees against pressure damage and the onset of pressure sores
 + prone positions
Dimensions:
 510 x 150 x 35 mm



Crutch stirrup pads OA091

Main features:
 + designed to fit most types of stirrups
 + supplied in pairs
 + lithotomy positions
Dimensions:
 395 x 245 x 10 mm



Heel pads EL130

Main features:
 + provide support and maximum protection for the heels, even during the longest surgical procedures
 + they support the achilles and effectively remove pressure from the heels
 + supplied in pairs
Dimensions:
 180 x 100 x 70 mm



Premium heel pads OP130

Main features:
 + anatomically designed for better pressure relief
 + new design allows full foot to be in resting position while also relieving all pressure from calcaneal aspect of heel
 + supine positions
Dimensions:
 150 x 134 x 66 mm



Boot/stirrup pad OA160

Main features:
 + provide excellent pressure relief and protection to the calf and heel and are designed for use on most types of boot stirrups
 + the pads are secured to the boot stirrup via velcro
Dimensions:
 505 x 145 x 10 mm



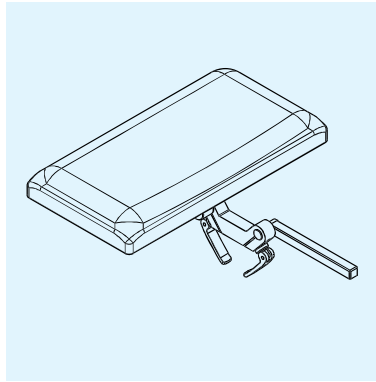
Positioning aids & surgical field assistance

➤ HEAD



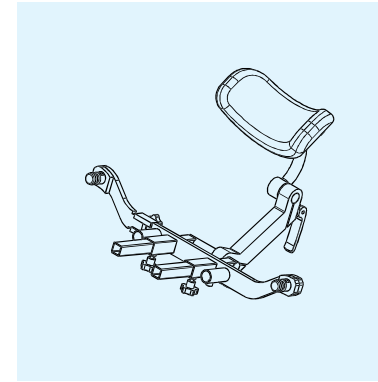
Width-adjustable headrest on track
4-09-040

- Main features:**
- + specialized facial/ neuro head rest with adjustable support width
 - + longitudinal tilt, height adjustment, distance from the table
 - + anatomically shaped pad



Track adjustable headrest flat
4-09-041

- Main features:**
- + flat facial head rest
 - + longitudinal tilt, height adjustment, distance from the table
 - + lightweight design
- Dimensions:**
500 x 260 mm



U-shape headrest
4-09-042

- Main features:**
- + specialized facial/ neuro head rest
 - + anatomical, U-shaped pad
 - + longitudinal tilt, height adjustment, distance from the table
 - + lightweight design
 - + compatibility with cranial stabilization systems



Double-articulated headrest
4-09-043

- Main features:**
- + double articulation headrest
 - + flat elevation over the tabletop surface
 - + designated for lateral positions
- Dimensions:**
500 x 260 mm



Ophthalmic head support
4-09-044

- Main features:**
- + surgeon's arm/ wrist support for ophthalmic/facial surgeries
 - + adjustment of height, longitudinal tilt and tabletop offset
 - + lightweight – 4,5 kg



Head and chin strapped helmet for shoulder surgery attachment
790-0084-B

- Main features:**
- + holds head securely during the operative procedure
 - + VELCRO brand fasteners are soft and pliable and attach to head frame



Positioning aids & surgical field assistance

➤ HEAD



Helmet straps 4-9737

- Main features:**
- + two straps with velcro
 - + suitable for the shoulder arthroscopy attachment 4-09-046
 - + stable, stainless steel construction protecting patient's head during surgical procedures
 - + protects head during surgical procedures

Dimensions:
1250 x 50 mm



Head protector AZ100

- Main features:**
- + designed to contour to the individual patient's head, conforming comfortably while providing effective protection to the patient.

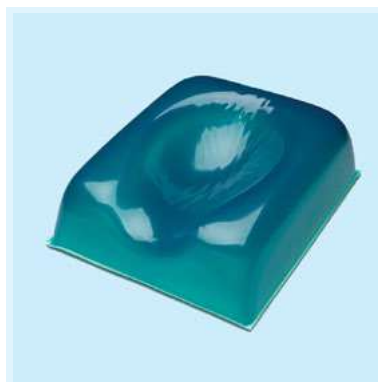
Positions:
supine, lithotomy, lateral
Dimensions:
260 x 250 x 50 mm



Prone head rest EL141

- Main features:**
- + anatomically designed so that the patient's head can comfortably rest face down with respiratory tubes in place
 - + the unique design provides excellent support, stability, comfort and protection during surgery in the prone position, with openings on both sides

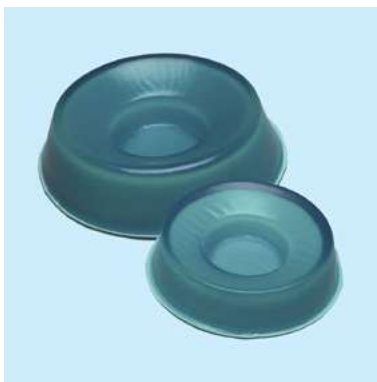
Dimensions:
280 x 240 x 140 mm



Supine head rest EL151

- Main features:**
- + perfect for positioning the patient during eye surgery and other supine procedures
 - + ergonomically shaped to position the patient's head
 - + effectively protecting against pressure ulcers

Dimensions:
275 x 237 x 90 mm



Closed head ring EL012

- Main features:**
- + unique gel & foam combination conforms comfortably to the patient's head
 - + this head ring is suitable for use in many surgical procedures

Positions:
supine, lithotomy, lateral
Dimensions:
200 x 50 mm



Premium supine head and neck support OP151

- Main features:**
- + unique gel & foam combination conforms comfortably to the patient's head
 - + this head ring is suitable for use in many surgical procedures

Positions:
supine, lithotomy, lateral
Dimensions:
264 x 220 x 64 mm



Positioning aids & surgical field assistance

➤ THORAX & ABDOMEN



Lateral & shoulder support
4-09-016

- Main features:**
- + universal lateral (back, scapula, buttock) or Trendelenburg (shoulder) support
 - + adjustments of height, horizontal rotation, table offset
 - + anatomically shaped pad



Roll support
4-09-018

- Main features:**
- + rounded side/lateral support
 - + table offset adjustment
 - + safe, rounded pad
 - + durable and easy to clean



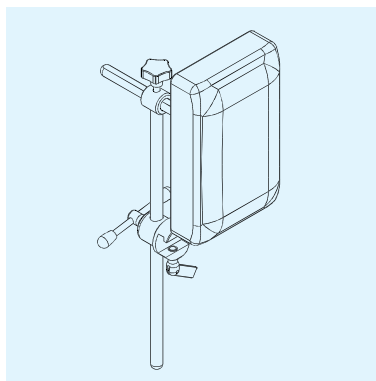
Chest & pubic support
4-09-036

- Main features:**
- + universal pubic or chest support
 - + adjustments of height, table offset
 - + durable design
 - + easy to clean



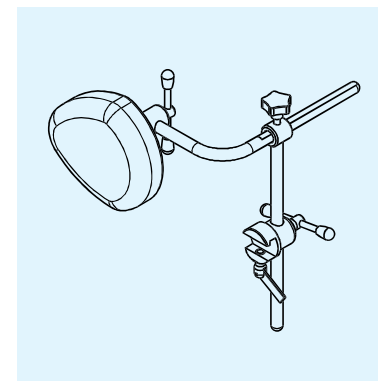
Abdominal strap
4-09-022

- Main features:**
- + side rail connected
 - + ergonomic setup
 - + universal size



Lateral support
4-09-025

- Main features:**
- + height adjustment
 - + ability to off-set from the tabletop
 - + anatomically shaped pad
 - + ability to rotate



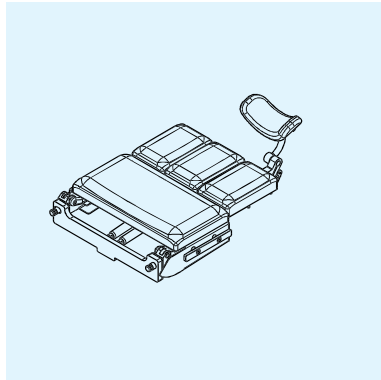
Pubic support
4-09-019

- Main features:**
- + hinged support – angular articulation of vertical/horizontal planes
 - + tabletop offset-adjustable
 - + height adjustment
 - + easy assembling



Positioning aids & surgical field assistance

➤ THORAX & ABDOMEN



Shoulder surgery attachment
4-09-046

- Main features:**
- + quick assembly
 - + gas spring assisted adjustment
 - + includes the U-shaped headrest



Shoulder surgery attachment for modular tabletop
4-09-046-v4

- Main features:**
- + connected to a lower backplate
 - + remote controlled/ powered by backrest drive
 - + includes the U-shaped headrest



Tabletop extension segment
4-09-047

- Main features:**
- + lightweight extension for tabletop reconfiguration (also intraoperative)
 - + radiotranslucent
 - + side rail included
- Dimensions:**
500 x 270 mm



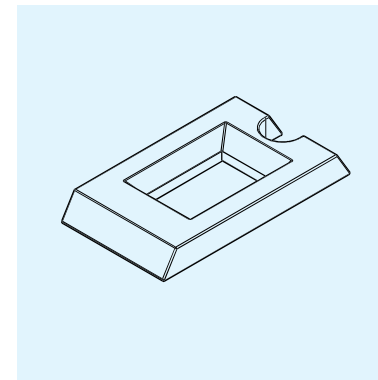
Bariatric tabletop width extenders
4-09-064

- Main features:**
- + quick setup
 - + lightweight
 - + length: 500 mm
 - + compatible with backrest and seat section



Carbon fiber tabletop extension

- Main features:**
- + ability to perform X-rays
 - + light, durable construction
 - + moving parts for better patient access



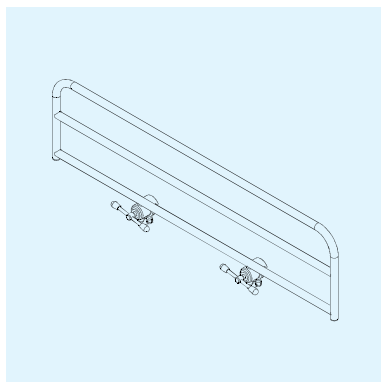
Thorax/abdomen pad for prone
4-09-070

- Main features:**
- + soft pad, antidecubitus, easy to clean, antistatic
 - + thorax/abdomen pressure relief for prone position
- Dimensions:**
840 x 460 mm



Positioning aids & surgical field assistance

➤ THORAX & ABDOMEN



Safety gate 4-7232

- Main features:**
- + light, durable construction
 - + easy to assembly
 - + 980 x 232 mm
 - + Ø 20 mm



Lateral braces set 800-0042

- Main features:**
- + position patients for surgery in various unique positions with total lateral stability
 - + the lateral braces clamp quickly to any standard operating room table and conform to any size patient
 - + sold in sets
 - + deluxe foam pads included
 - + 16 mm stainless steel mounting post



Lateral positioners set 800-0043

- Main features:**
- + simple and effective lateral patient positioners clamp quickly to standard operating table while the three swivel positioners conform to any size patient
 - + sold in sets
 - + deluxe foam pads included
 - + 16 mm stainless steel mounting post



Spine frame 800-0235

- Main features:**
- + the Spine Frame provides a stable and convenient platform for spine surgeries such as laminectomies, decompressions, and disc surgery
 - + adjusts intraoperatively to the desired lordosis to get optimal surgical site exposure
 - + C-arm compatible
 - + can be used with any O.R. table
 - + deluxe foam pads included
 - 227 kg patient weight capacity**



Spine frame crank handle 800-0277

- Main features:**
- + stainless steel ergonomic crank handle
 - + easily adjusts Spine Frame 800-0235



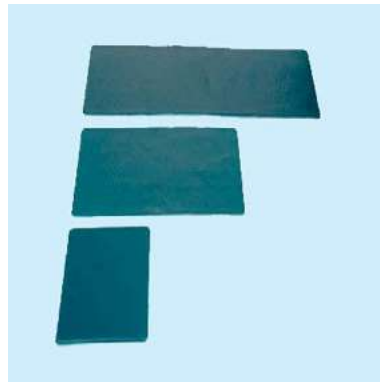
Elite shoulder supports 800-0100

- Main features:**
- + position patients for surgery in various unique positions including Trendelenburg, with a broad support surface
 - + clamp quickly to any standard operating table and conform to any size patient
 - + sold in pairs
 - + adjusts vertically to accommodate X-ray tops
 - + deluxe foam pads included



Positioning aids & surgical field assistance

➤ THORAX & ABDOMEN



Universal table pad

OA030
(length: 520 mm)

- Main features:**
- + universal gel pads provide protection over the entire surface area of the operating table and are recommended for use with patients in all positions
- Dimensions:**
520 x 520 x 10 mm



Universal table pad

OA031
(length: 1150 mm)

- Main features:**
- + universal gel pads provide protection over the entire surface area of the operating table and are recommended for use with patients in all positions
- Dimensions:**
1150 x 520 x 10 mm



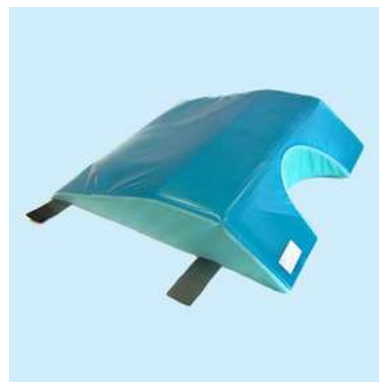
Sacral protector AZ301

- Main features:**
- + designed to provide support in the supine and lithotomy positions by relieving pressure and focussing on peripheral support
- Dimensions:**
450 x 445 x 30 mm



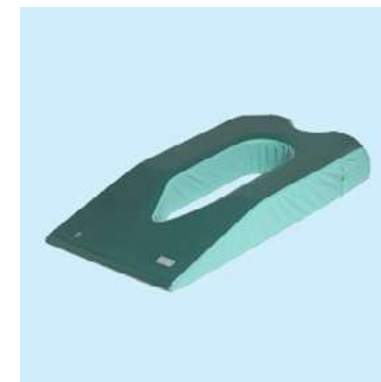
Elite prone positioning system EL905

- Main features:**
- + designed to provide effective positioning to the patient during surgical procedure in the prone position
 - + it is recommended to be used in conjunction with the Prone Head Rest
- Dimensions:**
610 x 530 x 130 mm



Elite prone positioner EL903

- Main features:**
- + designed to provide effective positioning to the patient during surgical procedure in the prone position
 - + it is recommended to be used in conjunction with the Prone Head Rest
- Dimensions:**
610 x 530 x 130 mm



Elite large prone positioner EL904

- Main features:**
- + eliminates pressure on the abdomen and facilitates easy ventilation and circulation during long cases in prone position, i.e. surgeries to the backs of legs and laminectomy procedure
- Dimensions:**
1115 x 520 x 140 mm



Positioning aids & surgical field assistance

➤ THORAX & ABDOMEN



Elite lateral positioner EL900

Main features:

- + this positioning device permits a safe, quick and easy transition from supine to lateral
- + the patient's lower shoulder fits into the integral channel
- + recommended for use in hip replacement, shoulder, kidney and other procedures in lateral position

Dimensions:

720 x 500 x 160 mm



Elite dome positioner EL210

Main features:

- + this lightweight positioner can be used to position and protect the patient during various surgical procedures in all positions

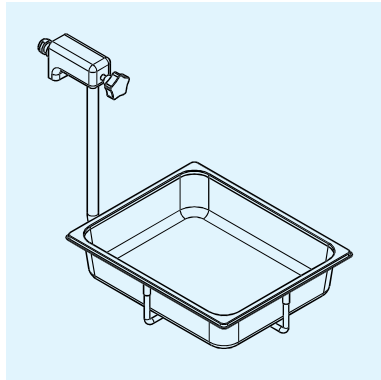
Dimensions:

350 x 150 x 75 mm



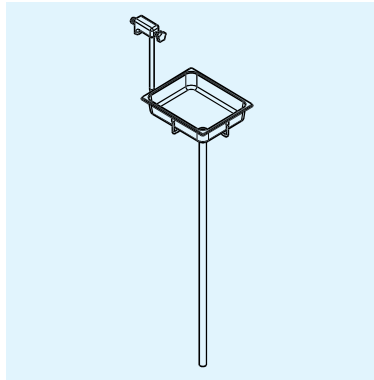
Positioning aids & surgical field assistance

➤ SURGICAL FIELD AIDS



Gynecology bowl
4-09-031

- + rapid and easy assembling
- + easy to sterilize
- Dimensions:**
290 x 220 x 50 mm



Urology bowl
4-09-032

- + rapid and easy assembling
- + easy to sterilize
- Dimensions:**
290 x 220 x 50 mm



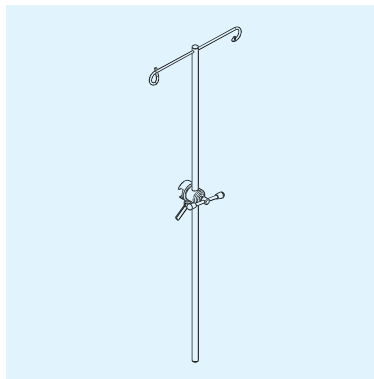
Anesthesia screen frame
4-09-050

- + height adjustment
- + horizontal rotation
- + lightweight design -
2,5 kg
- Dimensions:**
810 x 615 mm



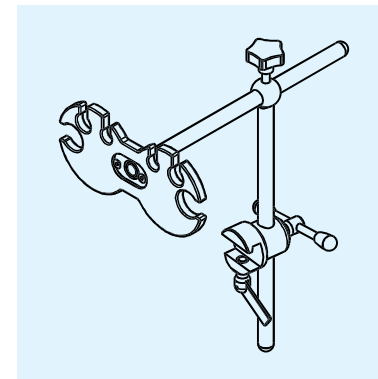
Anesthesia screen frame - adjustable
4-09-051

- + adjustable width:
600 - 770 mm
- + height adjustment
- + horizontal rotation
- + lightweight design -
2 kg



IV Pole
4-09-052

- + height adjustment
- + lightweight design
- 1 kg
- + easy to clean



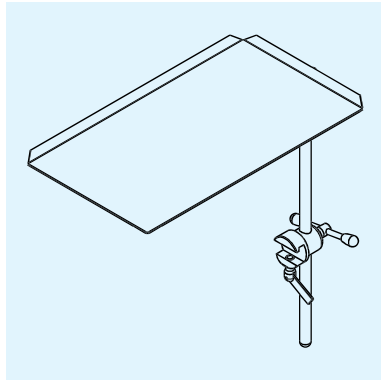
Tubes holder
4-09-054

- + height adjustment
- + horizontal rotation
- + tabletop offset
- + lightweight design -
1,5 kg



Positioning aids & surgical field assistance

➤ SURGICAL FIELD AIDS



Instruments tray
4-09-055

- + height adjustment
- + horizontal rotation
- + easy to clean
- Dimensions:**
450 x 260 mm



Radial clamp
4-09-060

- + universal, radial rotation clamp
- + single release of rotation
- + height adjustment
- Nominal diameter of rod:** 16 mm



One-position clamp
4-09-061

- + universal, one position clamp
- + ergonomic release of height adjustment
- Nominal diameter of the post:** 16 mm



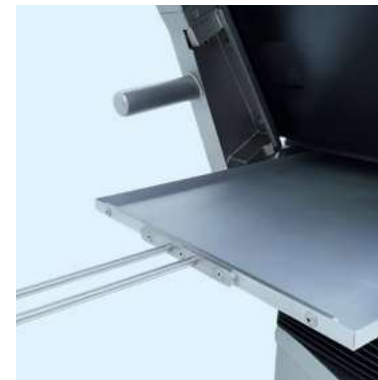
Premium socket
800-0006-EU

- + the premium socket to quickly position surgical devices along standard operating table side rails
- + fits all operating tables with standard 9,5 x 28,5 mm side rails
- + fits round mounting posts up to 16 mm in diameter
- 363 kg patient weight capacity**



Clark socket
800-0134-EU

- + snaps on at any rail location and fits all standard operating table side rails
- + accepts any round mounting posts up to 16 mm and rectangular mounting posts up to 25 x 950 mm
- + quickly and easily connects and disconnects securely with a quick turn anywhere along the side rail, even over side rail stand off
- 363 kg patient weight capacity**



X-Ray cassette holder
4-09-062

- + X-ray cassette holder with ergonomic handle
- + tray dimensions: aprox. 470 x 390 x 15 mm
- + handle length: 425 mm



Positioning aids & surgical field assistance

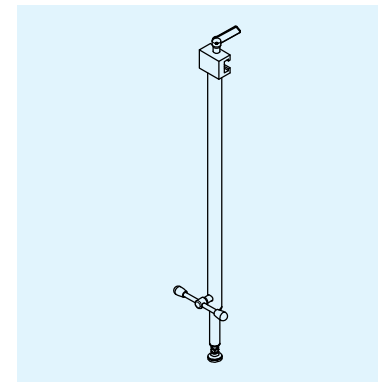
► SURGICAL FIELD AIDS



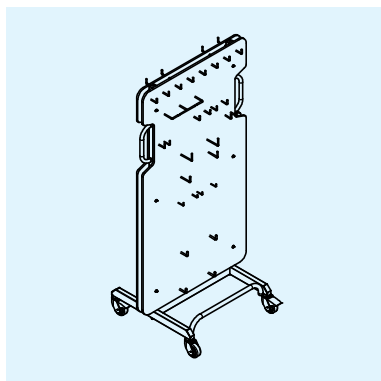
Side rail extension
4-09-063
+ side rail-connected
Length: 275 mm



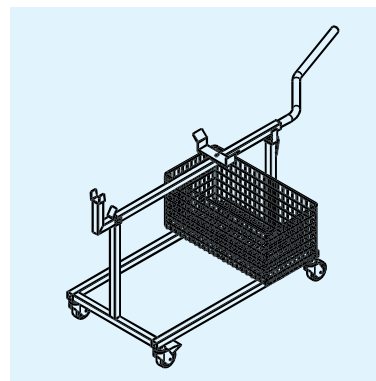
Carbon top handle
4-09-065-v3
+ adds universal siderail for carbon-fiber tabletop
+ lightweight, aluminium-based design
Length: 180 mm



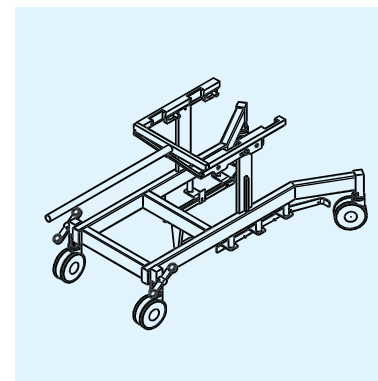
Orthopedic attachment bars support
4-09-122
+ stabilization post for fracture table 4-09-100
+ dedicated for heavy patients and high forces
+ height-adjusted



Mobile holder for orthopedic attachment
4-09-001
+ mobility
+ stable construction, easy to clean
+ simple assembly of orthopedic attachment
Dimensions:
1660 x 870 mm



Trolley for installing orthopedic attachment
4-09-002
+ easy to move due to the rod
+ stable construction, easy to clean
Dimensions:
1642 x 789 x 578 mm

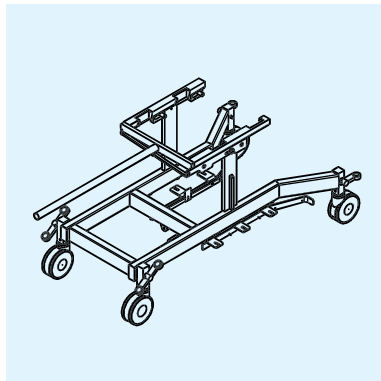


Transport trolley for tabletops and table
ALVO Sonata 4-03
4-09-004
+ twist-beam front suspension
+ rear wheel lock option
+ anticorrosive properties
+ easy to move due to the rod



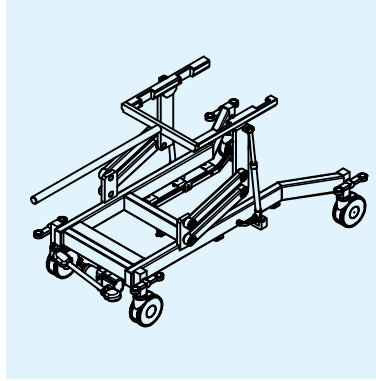
Positioning aids & surgical field assistance

➤ SURGICAL FIELD AIDS



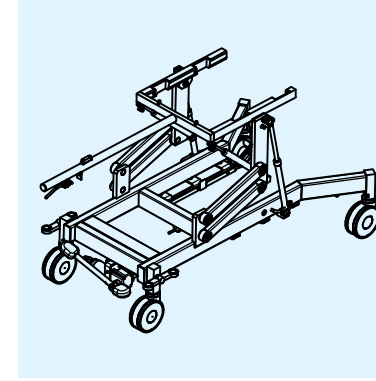
**Transport trolley for tabletops and table
ALVO Sonata 4-03
4-09-005**

- + twist-beam front suspension
- + rear wheel lock option
- + anticorrosive properties
- + easy to move due to the rod



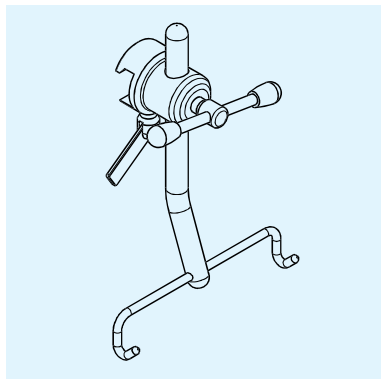
**Transport trolley for tabletops, with height adjustment
4-09-006**

- + height adjustment
- + foot brake
- + front and rear wheel lock option
- + two axis torsion



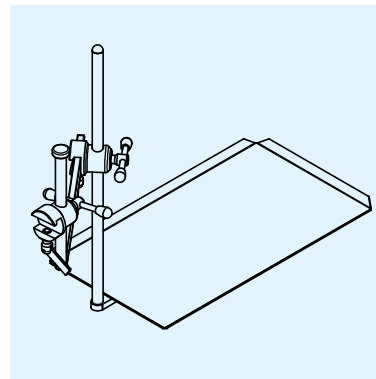
**Transport trolley for tabletops, with height adjustment and tilts
4-09-007**

- + height adjuster
- + tilts adjustment
- + foot brake
- + rear wheel lock option



**Holder for bags with infusion fluids
4-09-053**

- + height adjustment
- + ability to rotate
- + easy assembly



**Tray for additional accessories with angular support
4-09-056**

- + height adjustment
- + ability to off-set from the tabletop
- + ability to rotate
- + anticorrosive properties



**Driven Goepel module
4-8918**

- + remote controlled
- + attached to the operating table
- + possibility to attach any accessories incl. leg support, anesthesia screen frame, drip holder
- + carbon fiber components enable X-ray performance
- + powered by batteries



PATIENT WARMING SYSTEM

➤ SURGICAL FIELD AIDS

The flexible, conductive and reusable patient warming system is very economical, simple to operate and of great clinical benefit. As the first module for the reduction of perioperative hypothermia, in routine use, it provides effective and economical prevention for all surgical patients. It improves safety against negative side effects of operation and contributes to the general well-being of the patient. It also provides prevention against decubitus when combined with a visco-elastic operating table pad or gel pad.



- + patient warming system is a modern solution using a net of carbon fibre which is permeable to X-rays
- + this is an economic and effective hypothermia prevention method
- + the control units are prepared for battery operation and can optionally be operated with an integratable, rechargeable battery
- + the device has the ability to use two independent heating accessories (pads, blankets)
- + the device has illuminated display and simple operation ensures click-click system, which enables vertical and horizontal installation



The temperature setting in the range from 32-39°C can be individually set in precise 0.5°C steps for each applied part. All high and low temperature alarms are continuously monitored the control unit.

4 or 8 temperature sensors are distributed close to the patient in the applied part. These ensure precise temperature control and monitoring of all of the alarm functions. The alarm function will activate when:

- + temperature increases,
- + cable breaks,
- + exceeding heating temperature.



Warming blankets

Warming blankets are exceedingly soft and supple. They can be used before, during and after surgery, as well as on the ward.



ASTOPAD COV070 680 x 480 mm	Warming blanket as a top and bottom blanket for children and infants with a height of less than 90 cm.
ASTOPAD COV105 1050 x 500 mm	Special warming blanket for surgery in the lithotomy position (primarily urology and gynaecology).
ASTOPAD COV150 1500 x 500 mm	Heated standard model for universal use as a top and bottom blanket.
ASTOPAD COV155 1500 x 500 mm	Warming blanket to cover the upper body with cut-outs for the neck and thorax area.
ASTOPAD COV180 1800 x 800 mm	Heated full body blanket, as a top and bottom blanket for the operating theatre, recovery room and on the ward.
ASTOPAD COV180 2050 x 1350 mm	Heated top blanket for use in the recovery room and on the ward.

Table pads

The heated, pressure relieving operating table pad provides a unique combination of hypothermia and decubitus prophylaxis. The key component is a visco-elastic foam, combined with a dynamic foam base for the best possible decubitus prophylaxis on the operating table.



ASTOPAD SOF	Heated, pressure relieving backrest for operating tables, antistatic. The dimensions are adapted individually, so that it is suitable for all operating tables. All backrests are optionally available with a sacral cut-out.
-------------	---

Positioning aids & surgical field assistance

➤ SURGICAL FIELD AIDS



Flexible patient slider 800-0067

- + enables the hospital and OR personnel to easily slide patient from one bed to another
- + anti-static, white finish
- + radiolucent
- + reduces back injuries and increases patient comfort
- + stain-resistant – spray and wipe clean

Dimensions:
840 x 560 x 20 mm



Flexible patient slider with belt 800-0352

- + the flexible core allows for comfortable patient transference
- + includes carry handles for easy transport
- + radiolucent, antistatic
- + long and short models available
- + wipes clean
- + MR-Safe

Dimensions:
approx. 914 x 508 mm;
weight: 2,3 kg



Powered shoulder chair's dolly 800-0074

- + a durable, easy-to-use, storage and transport dolly for the surgical shoulder chairs
- + broad, stable, stainless steel handle and set of four caster wheels permits efficient wheeling of the stored beach chair to the table for positioning
- + wide base resists tipping



Stirrups dolly 800-0074-S

- + a durable, easy-to-use storage and transport dolly for lithotomy stirrups
- + wheeling the boot stirrups to the table for positioning is safe and efficient using the broad, stable, stainless steel handle, while the wide base resists tipping
- + large enough for stirrups and table clamps to be stored in one place



Front Lead apron protection (ask for sizes)

- + used in OR, ER, Radiology
- + buckle-in for full frontal protection with your choice of 0.5 mm or 0.35 mm lead equivalency
- + extra wide support straps
- + built-in shoulder pads
- + easy on and off
- + standard 0.5 mm Pb equiv. configuration provides 97% direct beam attenuation at 100 kVp



Hand shield 807-0010

- + full topside protection without sacrificing ease of movement
- + allows free movement of fingers and thumbs, and is especially useful when there's a need to hold the patient during radiographic procedures
- + thumb strap for improved control (Velcro strap closure)
- + provides 0.5 mm Pb equiv. protection
- + sold as a pair (set of 2)



Positioning aids & surgical field assistance

➤ SURGICAL FIELD AIDS



Stirrups wall rack 800-0284

- + wall-mounted stirrup rack conveniently stores two surgical stirrups, two boot liners, clamps and other accessories
- + attaches to wall with four screws (supplied)



Surgical field equipment

- + medical stools
- + anesthesia trolleys
- + medical cabinets
- + surgical lights



Instrument tables and stools

- + instrument tables Mayo type
- + trolleys for medical devices
- + sterile container transport trolleys



Diverse equipment

- + infusion holders
- + bowl holders
- + heated bowl holders
- + waste bins



Positioning aids
& surgical field assistance

➤ SURGICAL FIELD AIDS



➤ Visit our blog:
www.blog.alvo.pl



www ➤

Orthopedic Gold Standards

➤ SURGICAL FIELD AIDS





**Lower limbs traction
premium line
RO.160.710**

Main features:

- + easy to use and regulate
- + easy to clean and disinfect
- + stable construction



**Tibia nailing device
for lower limbs traction
premium line
RO.160.800.TS**

Main features:

- + durable, stable construction
- + advanced design
- + easy regulation of individual elements



**RotexTable - DAA
and hip arthroscopy
powered column**

- + RotexTable Attachment for Anterior Approach Total Hip Replacement
- + motorized positioning table for lower extremities, used for total hip replacement (DAA) or hip arthroscopy
- + the attachment is sterile, giving the surgeons a full control over their patient position



**Powered Beach Chair
800-0004-EU**

Main features:

- + includes a self-contained motor
- + the surgical beach chair adjusts from 0-90°
- + attaches to any operating table
- + 227 kg patient weight capacity
- + sliding head rest with 30° tilt in every direction
- + shoulder pull-away panels provide excellent surgical exposure



Orthopedic Gold Standards

➤ ORTHOPEDIC ATTACHMENTS



Fast mount – quick release system



Sonic welded, seamless pads

Carbon fibre pelvis section



Quick-release gluteal muscles relieve system



Light limb support with integrated traction beam



Orthopedic Gold Standards

▶ ORTHOPEDIC ATTACHMENTS



X-ray radiotranslucent plate



Retractable beam for traction device



Low friction traction spindle



Carbon fiber countertraction post - quick release, with ability to set the left or right offset up



Orthopedic Gold Standards

▶ ORTHOPEDIC ATTACHMENTS



Selection of padded rolls depending on pulling force

Self aligning Cardan joint



Lightweight traction boot - snowboard fastening system

Orthopedic Gold Standards

▶ ORTHOPEDIC ATTACHMENTS



▶ Tibia nailing system



ACL/Arthroscopy holder



TKR fixation

EasyPRO accessories

► SURGICAL FIELD AIDS

A next-generation surgical field accessories line compatible with one 360° adapter. Replacing multiple fixing elements with one, multi-purpose adapter that can easily be installed and repositioned at any time during surgery, saves time. And time is money.

- **first-to-market quick lock (click-in) adapter for different surgical accessories**
- 360° positioning
- easy set-up, smooth change-over via click-in system
- undisturbed access to the surgical field
- fluent, floating positioning
- modular, extendable line
- lightweight design, soft, welded pads
- autoclavable

Prep'n'drep
positioning
time reduced
by half!

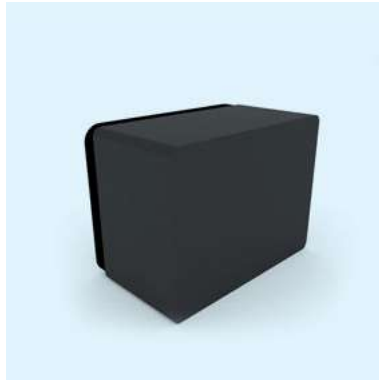


EasyPRO accessories

➤ SURGICAL FIELD AIDS



Arm support
EP-1100



Pubic support
EP-1200



Support roll
EP-1300



Lateral support
EP-1400



IV holder
EP-1500



Anesthesia frame
EP-1600



EasyPRO accessories

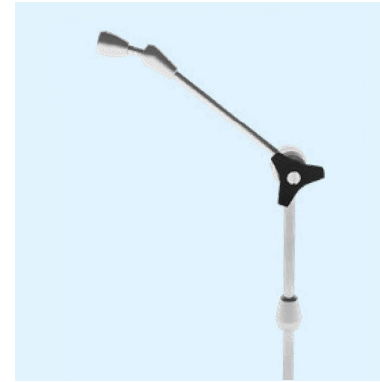
► SURGICAL FIELD AIDS



Tubes holder
EP-1700



TUR Bowl
EP-1800



Pin-joint arm
EP-1000

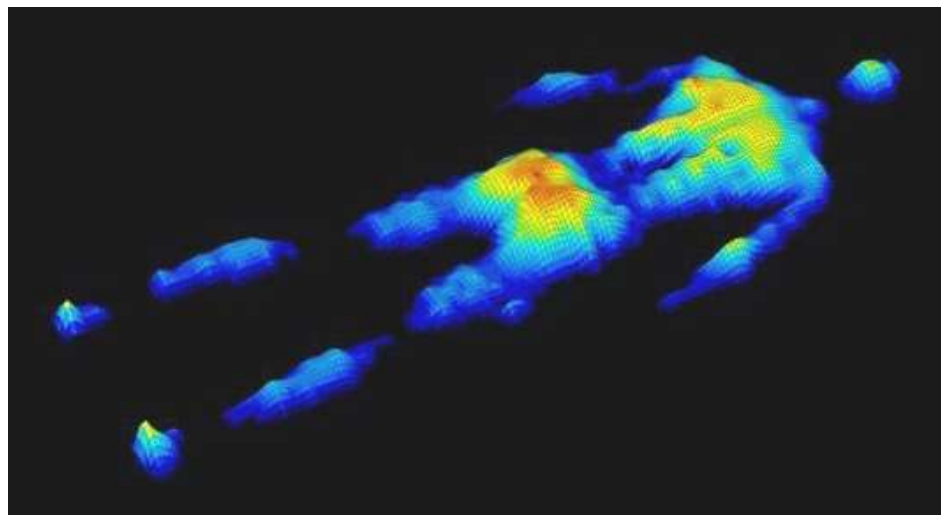
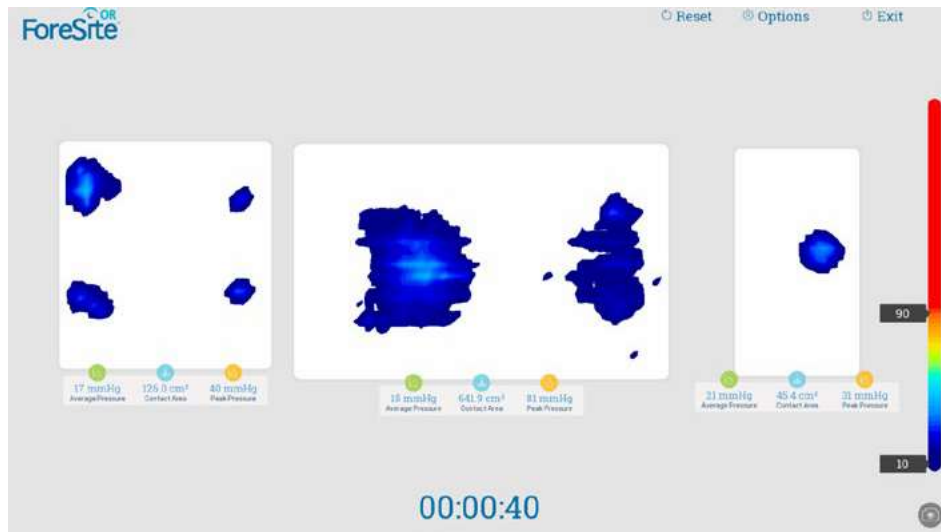


360 deg. swivel
arm support
6646.01



ALVO SENSEi

Intraoperative real-time pressure mapping



Patient positioning can be continuously monitored to reduce the risk of pressure ulcers that may occur during prolonged surgeries.

ALVO surgical tables are now available with **ultrasonic welded pressure relieving pads and integrated pressure monitoring interfaces**. Special sensors generate and record real-time images of the body surface pressures that surgical staff can observe on any display in the operating theatre. The new anti-decubitus surgical tables line will support clinicians in providing better care, by monitoring critical anatomical details during surgery, on any chosen display. The necessary repositioning can be done remotely, via ALVO Integra OR management screen. Intraoperative pressure monitoring will allow surgeons greater positioning precision, improve patient outcomes, and eliminate the risks of pressure injuries during long surgical procedures.

The modular design of the interchangeable premium tabletops allows the hospital to expand the surgical suite's capabilities with any already existing ALVO surgical table, as a step-by-step investment.



ALVO SENSEi - the first to the market ultrasonically welded table pads with sensor system and interface for patient pressure mapping - a unique solution for pressure ulcers prevention and intraoperative control of patient positioning strategies.



Flexible solution

- easy to use in any hospital area, especially in places, where it is not possible to install a fixed patient transfer unit
- lower end user price – approx. 40% of fixed system price
- easier installation and adaptation process

Designed with caregivers' comfort and safety of patients in mind

- effortless manoeuvring and control thanks to motorized castor
- heavy patients handling



Hygienic solution

- no transporters crossing the border between clean and dirty area
- less devices to be cleaned and disinfected
- antimicrobial-protected surfaces

Technical specifications ALVO Transpa

Total length of Transpa	2150 mm ±50 mm	Battery charging time	< 12 h
Total height of Transpa	1320 mm ±50 mm	Work character	interrupted operation 2/18 min
Tabletop width	650 mm ±50 mm	Working time between battery charging	about 60 patient transfers
Total width of Transpa	1100 mm ±50 mm	Battery charger	Built-in
Height adjustment	750-1000 mm ±20 mm	Charging current	230 V ~50/60 Hz
Transpa weight	~250 kg	Power consumption from mains (max.)	1 A / 230 V
Max. static load capacity	200 kg (250 kg)*	Lifetime	10 years
Power supply	24 V	International Protection Marking	IP-X4
Batteries (sealed, maintenance-free)	24 V, 15 Ah, 2 pcs	IEC protection class	I
		Application part type	B





ALVO Sp. z o.o. Sp.k.
ul. Południowa 21a
64-030 Śmigiel, Poland
tel. +48 65 518 98 49
www.alvo.pl



We reserve the right to change design, construction and dimensions of our products at any time to incorporate the latest technological developments.