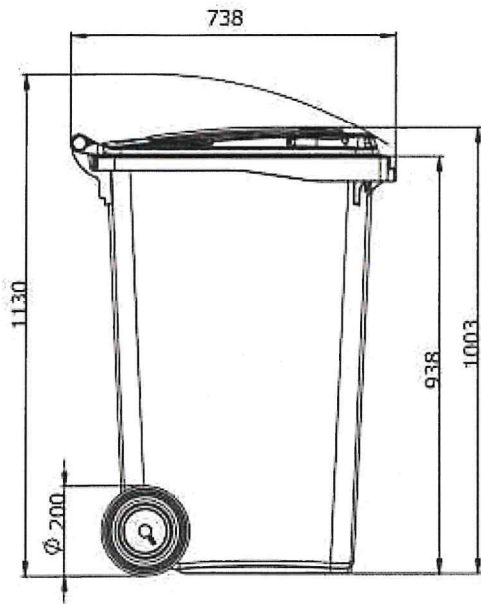


# 240 DIN CL CLIP

Digitally signed by Dogot Vitalie  
Date: 2024.07.12 10:21:21 EEST  
Reason: MoldSign Signature  
Location: Moldova



## Technical data

- Volume (L): 240
- Weight (kg): approx. 11
- Permissible total weight (kg): max. 110
- Material: HDPE, UV-stabilized
- Wheels: 2 rubber wheels Ø 200 mm corrosion free steel axle
- Lid / Body: 2 hinge pins continuous handle approx. Ø 27 mm Lid with continuous lip handle and additional bow handles Coloured lid clip for fraction identification (can also be fitted later)
- Certification: EN 840;RAL GZ 951/1

## Options

- Pad lock, gravity and triangular lock
- Recycling inserts for glass, paper and packaging
- Round or rectangular aperture with lid
- Individual identification
- Noise reduction
- Identification systems
- Foot-operated lid opening
- Highway post



## COLOURS



  **ESE**  
ESE GmbH  
Friedrich-Bückling-Straße 8  
16816 Neuruppin