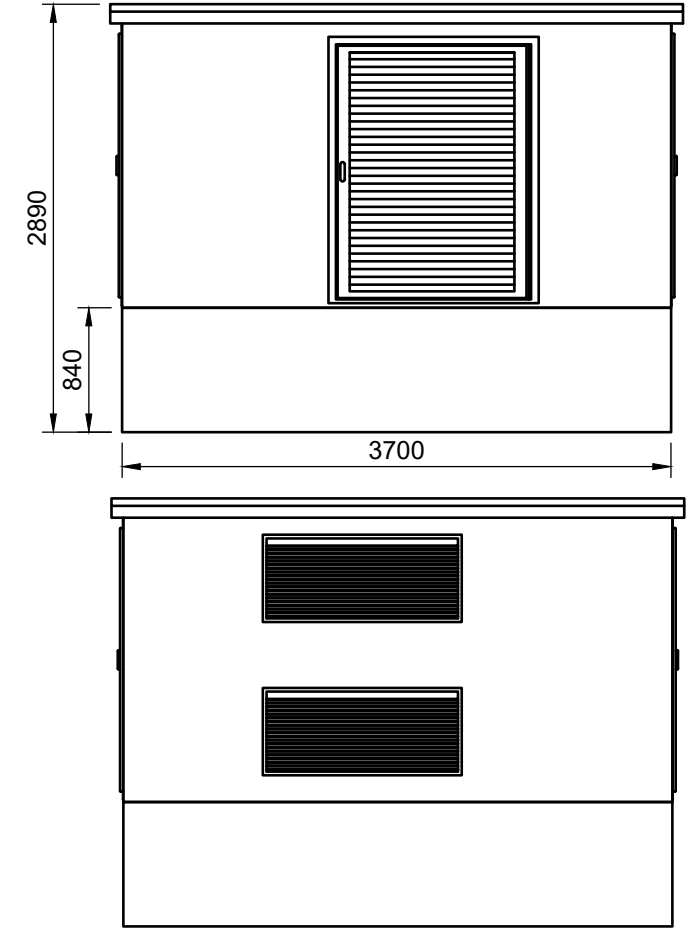
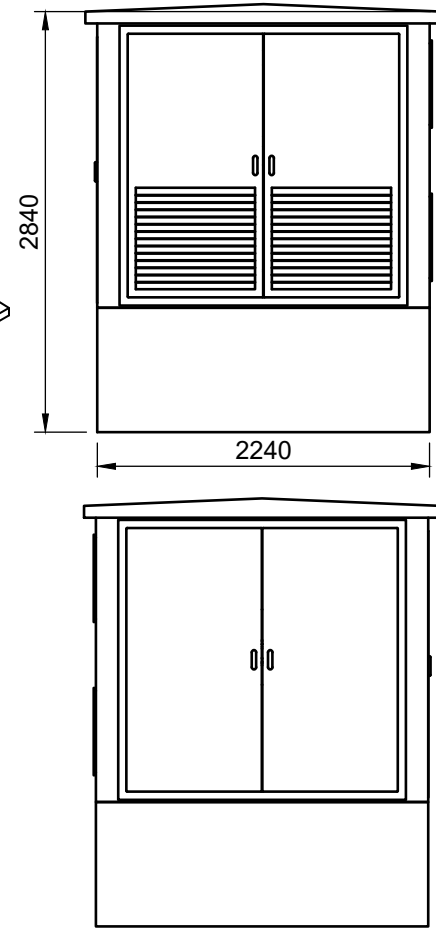
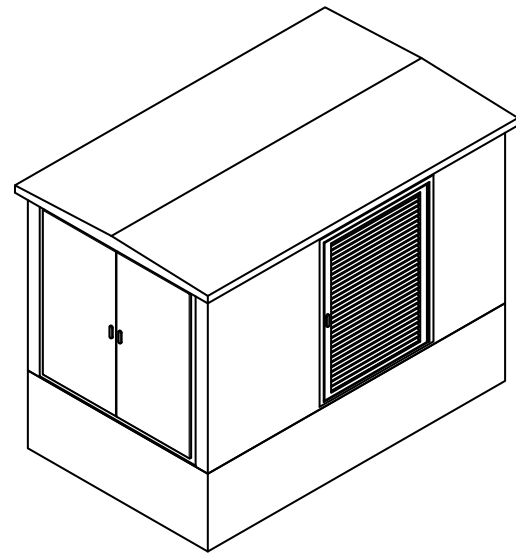
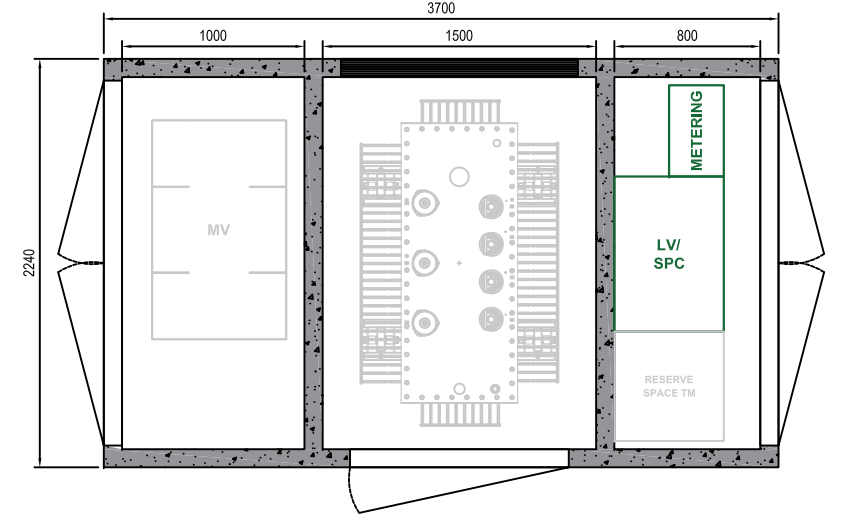
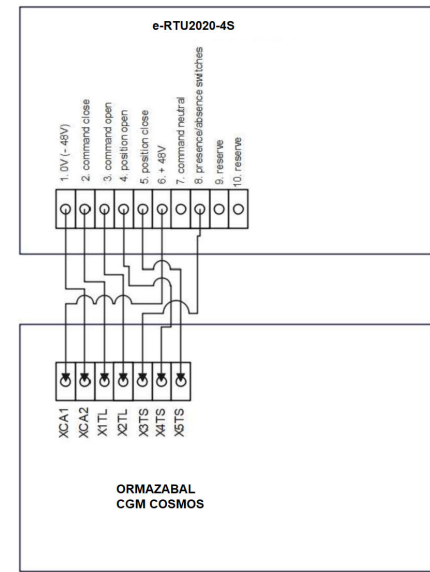
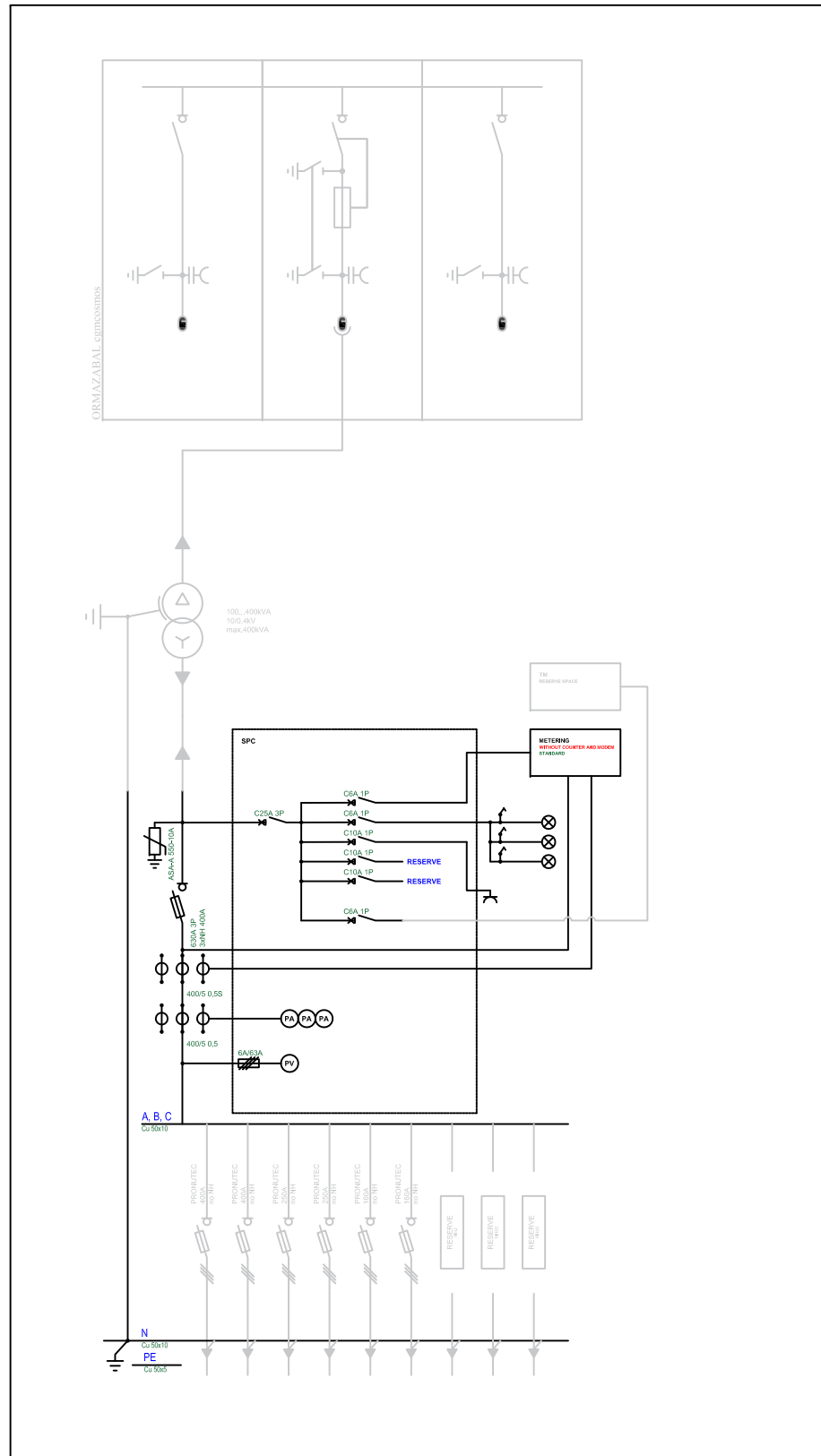



Schema de interconectare e-RTU2020-4S cu celule CGM Cosmos



	Contract No 15007	Executed	Date	I checked	Date
		Document type		Document status	
		Object <b>PT554SG35</b>		Name	
		M Format	1:1 A3	Date of dispatch	Letter