

VACUUM



## Gel & Clot Activator

As the activator it is used silica dioxide and biologically inert olefin gel.

Gel provides the separation of serum and clot up to 48 hours without re- centrifugation.

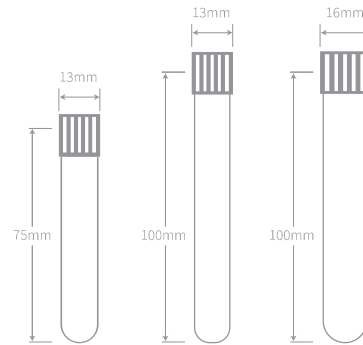
Gel is the special material intended for formation of barrier between cellular components of blood and serum during centrifugation.

**Usage:** to research serum in the clinical chemistry, immunology, serology, protein electrophoresis.

**Specimen:** serum.

**Clotting time:** from 5 to 30 minutes.

**Conditions of centrifugation:** 1800-2000 g for 10 minutes.



REF	Additive	Cap Colour	Tube Size (mm)	Draw Volume (mL)	Tube Material	Pack/Carton	Label
RJ1805103-5P	Gel & Clot Activator	● Yellow	13x75	3.5mL	PET	100PCS/1200PCS	Paper/Transparent
RJ1805103-5G	Gel & Clot Activator	● Yellow	13x75	3.5mL	GLASS	100PCS/1200PCS	Paper/Transparent
RJ1805104-0P	Gel & Clot Activator	● Yellow	13x75	4mL	PET	100PCS/1200PCS	Paper/Transparent
RJ1805104-0G	Gel & Clot Activator	● Yellow	13x75	4mL	GLASS	100PCS/1200PCS	Paper/Transparent
RJ1805205-0P	Gel & Clot Activator	● Yellow	13x100	5mL	PET	100PCS/1200PCS	Paper/Transparent
RJ1805205-0G	Gel & Clot Activator	● Yellow	13x100	5mL	GLASS	100PCS/1200PCS	Paper/Transparent
RJ1805206-0P	Gel & Clot Activator	● Yellow	13x100	6mL	PET	100PCS/1200PCS	Paper/Transparent
RJ1805206-0G	Gel & Clot Activator	● Yellow	13x100	6mL	GLASS	100PCS/1200PCS	Paper/Transparent
RJ1805207-0P	Gel & Clot Activator	● Yellow	13x100	7mL	PET	100PCS/1200PCS	Paper/Transparent
RJ1805207-0G	Gel & Clot Activator	● Yellow	13x100	7mL	GLASS	100PCS/1200PCS	Paper/Transparent
RJ1805308-0P	Gel & Clot Activator	● Yellow	16x100	8mL	PET	100PCS/1200PCS	Paper/Transparent
RJ1805308-0G	Gel & Clot Activator	● Yellow	16x100	8mL	GLASS	100PCS/1200PCS	Paper/Transparent
RJ1805309-0P	Gel & Clot Activator	● Yellow	16x100	9mL	PET	100PCS/1200PCS	Paper/Transparent
RJ1805309-0G	Gel & Clot Activator	● Yellow	16x100	9mL	GLASS	100PCS/1200PCS	Paper/Transparent
RJ1805310-0P	Gel & Clot Activator	● Yellow	16x100	10mL	PET	100PCS/1200PCS	Paper/Transparent
RJ1805310-0G	Gel & Clot Activator	● Yellow	16x100	10mL	GLASS	100PCS/1200PCS	Paper/Transparent