

## DS-2CD1347G3H-LIUF/SL 2.8mm PL#PL 4 MP ColorVu 3.0 Fixed Turret Network Camera



- HikAI-ISP for excellent noise reduction effect
- Super clear 24/7 colorful imaging with ColorVu 3.0 technology
- Motion Detection 3.0, more accurate on person and vehicle classification
- -SL/-SRB: Strobe Light & Audio Alarm to deter intruders
- -SL/-SRB: Two-Way Audio via camera and Hik-Connect
- Smart Hybrid Light: integrates IR and white lights, 3 supplemental lighting modes
- -SL/-SRB: On-board storage with SD card up to 512 GB
- Water and dust resistant (IP67)

## ▪ Specification

Camera	
Image Sensor	1/1.8" Progressive Scan CMOS
Max. Resolution	2560 × 1440
Min. Illumination	Color: 0.0001 Lux @ (F1.0, AGC ON)
Shutter Time	1 s to 1/100,000 s
Day & Night	IR cut filter
Angle Adjustment	Pan: 0° to 360°, tilt: 0° to 75°, rotate: 0° to 360°
Lens	
Lens Type	Fixed focal lens, 2.8 and 4 mm optional
Focal Length & FOV	2.8 mm, horizontal FOV 104°, vertical FOV 54.4°, diagonal FOV 126.7° 4 mm, horizontal FOV 89.3°, vertical FOV 48.2°, diagonal FOV 106.5°
Lens Mount	M16
Iris Type	Fixed
Aperture	F1.0
Depth of Field	2.8 mm: 2.5 m to ∞ 4 mm: 2.8 m to ∞
DORI	
DORI	2.8 mm, D: 61 m, O: 24 m, R: 12 m, I: 6 m 4 mm, D: 68 m, O: 27 m, R: 13 m, I: 6 m
Illuminator	
Supplement Light Type	IR, White Light
Supplement Light Range	Up to 30 m
Smart Supplement Light	Yes
IR Wavelength	850 nm
Video	
Main Stream	50 Hz: 25 fps (2560 × 1440, 1920 × 1080, 1280 × 720) 60 Hz: 24 fps (2560 × 1440, 1920 × 1080, 1280 × 720)
Sub-Stream	50 Hz: 25 fps (768 × 432, 640 × 360) 60 Hz: 24 fps (768 × 432, 640 × 360)
Video Compression	Main stream: H.265+/H.265/H.264+/H.264, Sub-stream: H.265/H.264/MJPEG
Video Bit Rate	32 Kbps to 16 Mbps
H.264 Type	Baseline Profile, Main Profile, High Profile
H.265 Type	Main Profile
Bit Rate Control	CBR, VBR
Scalable Video Coding (SVC)	H.264 and H.265 encoding
Region of Interest (ROI)	1 fixed region for main stream
Audio	
Audio Type	Mono sound
Audio Compression	G.711/G.722.1/G.726/MP2L2/PCM/MP3/AAC-LC
Audio Bit Rate	64 Kbps (G.711)/16 Kbps (G.722.1)/16 Kbps (G.726)/32 to 160 Kbps (MP2L2)/16 to 64 Kbps (AAC-LC)/8 to 160 Kbps (MP3)
Audio Sampling Rate	8 kHz/16 kHz

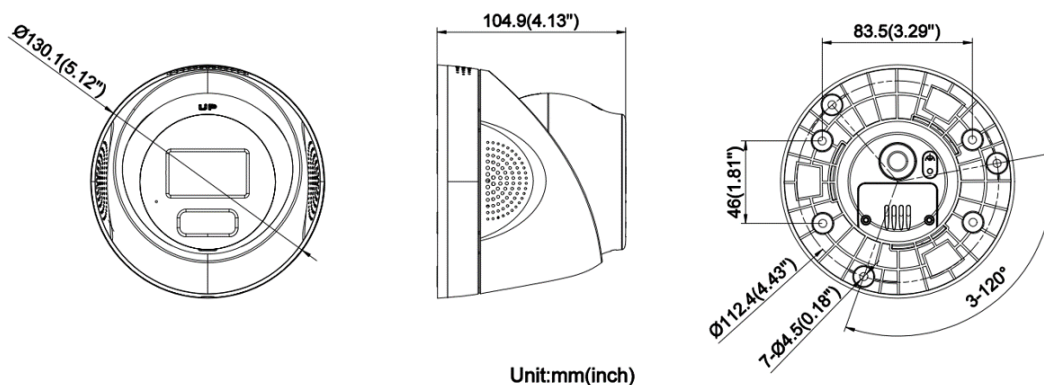
Environment Noise Filtering	Yes
<b>Network</b>	
Protocols	TCP/IP, ICMP, DHCP, DNS, HTTP, RTP, RTSP, RTCP, NTP, IPv4, IPv6, IGMP, UDP, QoS, FTP, SMTP
Simultaneous Live View	Up to 6 channels
API	ONVIF (Profile S, Profile G), ISAPI, SDK
Security	Password protection, complicated password, watermark, basic and digest authentication for HTTP, WSSE and digest authentication for Open Network Video Interface, security audit log, host authentication (MAC address)
User/Host	Up to 32 users 3 user levels: administrator, operator, and user
Client	iVMS-4200, Hik-Connect
Web Browser	Plug-in required live view: Chrome 80+, Firefox 80+, Edge 89+, Safari 13+, Plug-in free live view: Chrome 80+, Firefox 80+, Edge 89+
<b>Image</b>	
Image Settings	Rotate mode, saturation, brightness, contrast, sharpness, gain, white balance, adjustable by client software or web browser
Day/Night Switch	Day, Night, Auto, Schedule
Wide Dynamic Range (WDR)	120 dB
SNR	≥ 52 dB
Image Enhancement	BLC, HLC, 3D DNR
Privacy Mask	4 programmable polygon privacy masks
<b>Interface</b>	
Ethernet Interface	1 RJ45 10 M/100 M self-adaptive Ethernet port
On-Board Storage	-LIUF/-SL/-SRB: Built-in memory card slot, support microSD/microSDHC/microSDXC card, up to 512 GB, -LIU: NA
Built-in Microphone	Yes, 1 built-in microphone
Built-in Speaker	-SL/-SRB: Max. power consumption: 1.5 W, max. sound pressure level: 10 cm: 98 dB, -LIU/-LIUF: NA
Reset Key	-LIUF/-SL/-SRB: Yes, -LIU: NA
<b>Event</b>	
Basic Event	Motion detection (support alarm triggering by specified target types (human and vehicle)), video tampering alarm, exception
Linkage	Upload to FTP, notify surveillance center, send email, trigger recording, trigger capture
<b>General</b>	
Power	-LIU/-LIUF: 12 VDC ± 25%, 0.50 A, max. 6.0 W, Ø5.5 mm coaxial power plug, reverse polarity protection, PoE: IEEE 802.3af, Class 3, max. 7.5 W, -SL/-SRB: 12 VDC ± 25%, 0.64 A, max. 7.68 W, Ø5.5 mm coaxial power plug, reverse polarity protection, PoE: IEEE 802.3af, Class 3, max. 9.21 W
Material	Cover: PLASTIC, main body: METAL
Dimension	Ø130.1 mm × 103.1 mm (Ø5.1" × 4.1")
Package Dimension	170 mm × 170 mm × 160 mm (6.7" × 6.7" × 6.3")
Weight	-LIU/-LIUF: Approx. 505 g (1.1 lb.), -SL/-SRB: Approx. 580 g (1.3 lb.)

With Package Weight	-LIU/-LIUF: Approx. 755 g (1.7 lb.), -SL/-SRB: Approx. 800 g (1.8 lb.)
Storage Conditions	-30 °C to 60 °C (-22 °F to 140 °F). Humidity 95% or less (non-condensing)
Startup and Operating Conditions	-30 °C to 60 °C (-22 °F to 140 °F). Humidity 95% or less (non-condensing)
Language	Polish
General Function	Heartbeat,mirror,flash log,password reset via email,password protection,anti -banding
Flashing Light	-SL: White Light, -SRB: Red and Blue Light, -LIU/LIUF: NA
<b>Approval</b>	
EMC	CE-EMC: EN 55032:2015+A1:2020, EN 50130-4:2011+A1:2014, EN IEC 61000-3-2:2019+A1:2021, EN 61000-3-3:2013+A1:2019+A2:2021
Safety	CB: IEC 62368-1:2014+A11, CE-LVD: EN 62368-1:2014/A11: 2017
Environment	CE-RoHS: 2011/65/EU, WEEE: 2012/19/EU
Protection	IP67:IEC 60529-2013

### ▪ Available Model

DS-2CD1347G3H-LIUF/SL 2.8mm PL(POLAND)

### ▪ Dimension




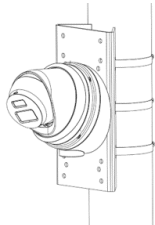


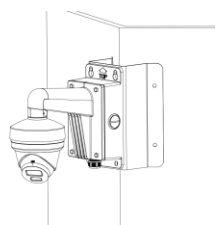


### ▪ Accessory

### ▪ Optional

DS-1281ZJ-M	DS-1275ZJ-SUS	DS-1273ZJ-130B-T RL	DS-1276ZJ-SUS	DS-1271ZJ-130-TRL



▪ **Installation Methods**

<p><b>Inclined Ceiling Mounting</b> DS-1281ZJ-M</p>	<p><b>Vertical Pole Mounting</b> DS-1275ZJ-SUS+DS-1281ZJ-M</p>	<p><b>Wall Mounting</b> DS-1273ZJ-130B-TRL</p>	<p><b>Wall Mounting</b> DS-1273ZJ-130-TRL</p>	<p><b>Corner Mounting</b> DS-1276ZJ-SUS+DS-1273ZJ-130B-TRL</p>
				
<p><b>Pendant Mounting</b> DS-1271ZJ-130-TRL</p>	<p><b>Junction Box</b> DS-1280ZJ-DM8</p>			
				

# See Far, Go Further



[www.hikvision.com](http://www.hikvision.com)  
[support@hikvision.com](mailto:support@hikvision.com)

