



Uniquely designed for when control and PCR precision really count

The new Applied Biosystems™ MicroAmp™ 8-Tube Strip with attached optical or domed caps offers a combination of features to help prevent cross-contamination, pipetting errors, and sample identification errors in your PCR and real-time PCR applications.

- Attached caps that open and close independently of each other
- Etched A–H letter labeling for individual tubes and caps
- Dual side tabs for strip labeling
- Graduated 20 μ L measuring markers on every tube

Available exclusively for Applied Biosystems™ thermal cyclers to provide optimal PCR results.



Take control of your PCR reactions at
thermofisher.com/microamptubestripswithcaps

All Applied Biosystems thermal cyclers and PCR plastics are tested to help ensure optimal PCR performance, and are “Engineer Approved”—designed and built for reliability and precision to enable optimal PCR results.

Get the most out of your low-throughput PCR by choosing the MicroAmp 8-Tube Strip with attached optical or domed caps.



Applied Biosystems™ instrument compatibility

Description	Endpoint PCR				Real-time PCR		
	ProFlex™ 3 x 32-well	Veriti™ 96-well, Veriti™ Dx 96-well, ProFlex™ 96-well, SimpliAmp™ 96-well	2720 96-well	9700 96-well	7000	7300, 7500	QuantStudio™, QuantStudio™ Dx, ViiA™ 7, ViiA™ 7 Dx, 7900HT 96-well
Tube strips and caps							
MicroAmp Optical 8-Tube Strip with attached optical caps	✓	✓	✓	✓	✓	✓	✓
MicroAmp 8-Tube Strip with attached domed caps	✓	✓	✓	✓			

Not compatible with 96-well Fast blocks

Ordering information

Product	Cat. No.
MicroAmp Optical 8-Tube Strip with attached optical caps, 0.2 mL, 125 strips/pack	A30588
MicroAmp 8-Tube Strip with attached domed caps, 0.2 mL, 125 strips/pack	A30589

Take control of your PCR reactions at
thermofisher.com/microamptubestripswithcaps

Certificate of Conformance

ThermoFisher
S C I E N T I F I C

OPTICAL 8 TUBE STRIP W/CAPS

Product No. **A30588**
Lot No. **1309738**

We, Thermo Fisher Scientific, hereby certify that the materials used in the manufacture of this product conform to applicable Thermo Fisher Scientific specifications.

For Research Use Only. Not for use in diagnostic procedures. Manufactured in compliance with our ISO 9001 certified quality management system.

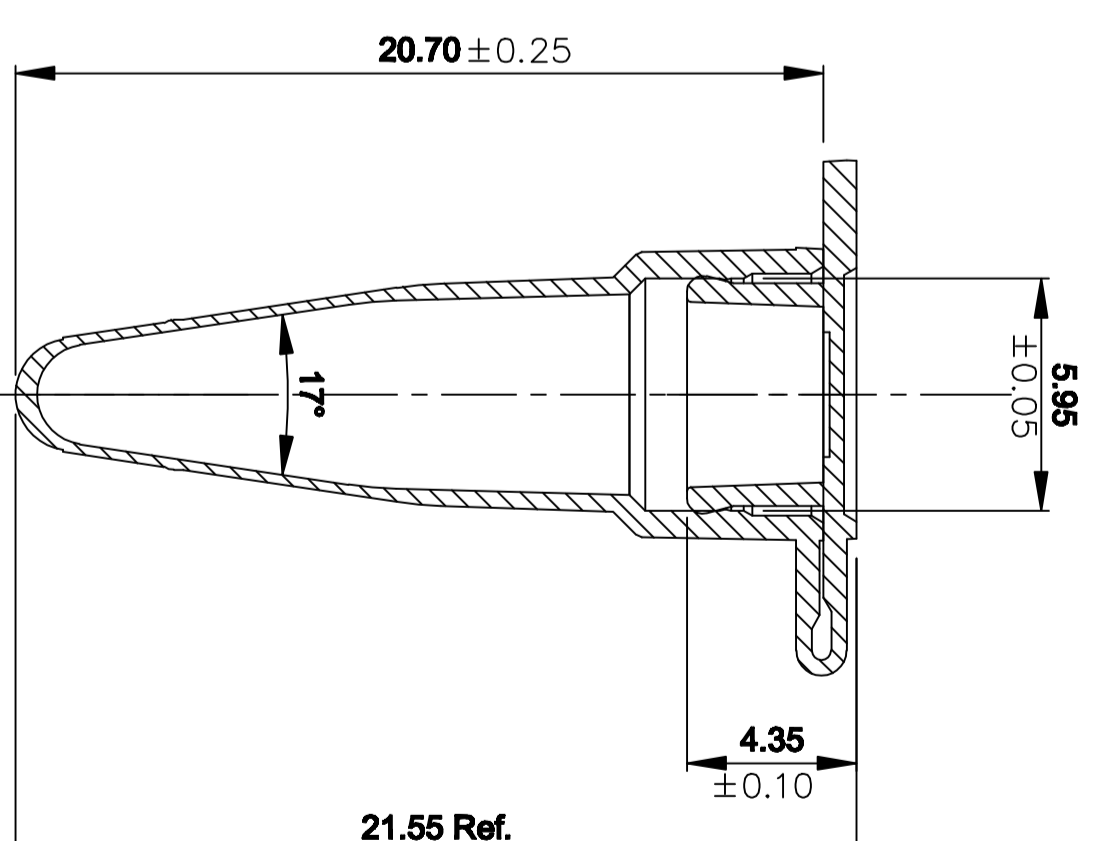
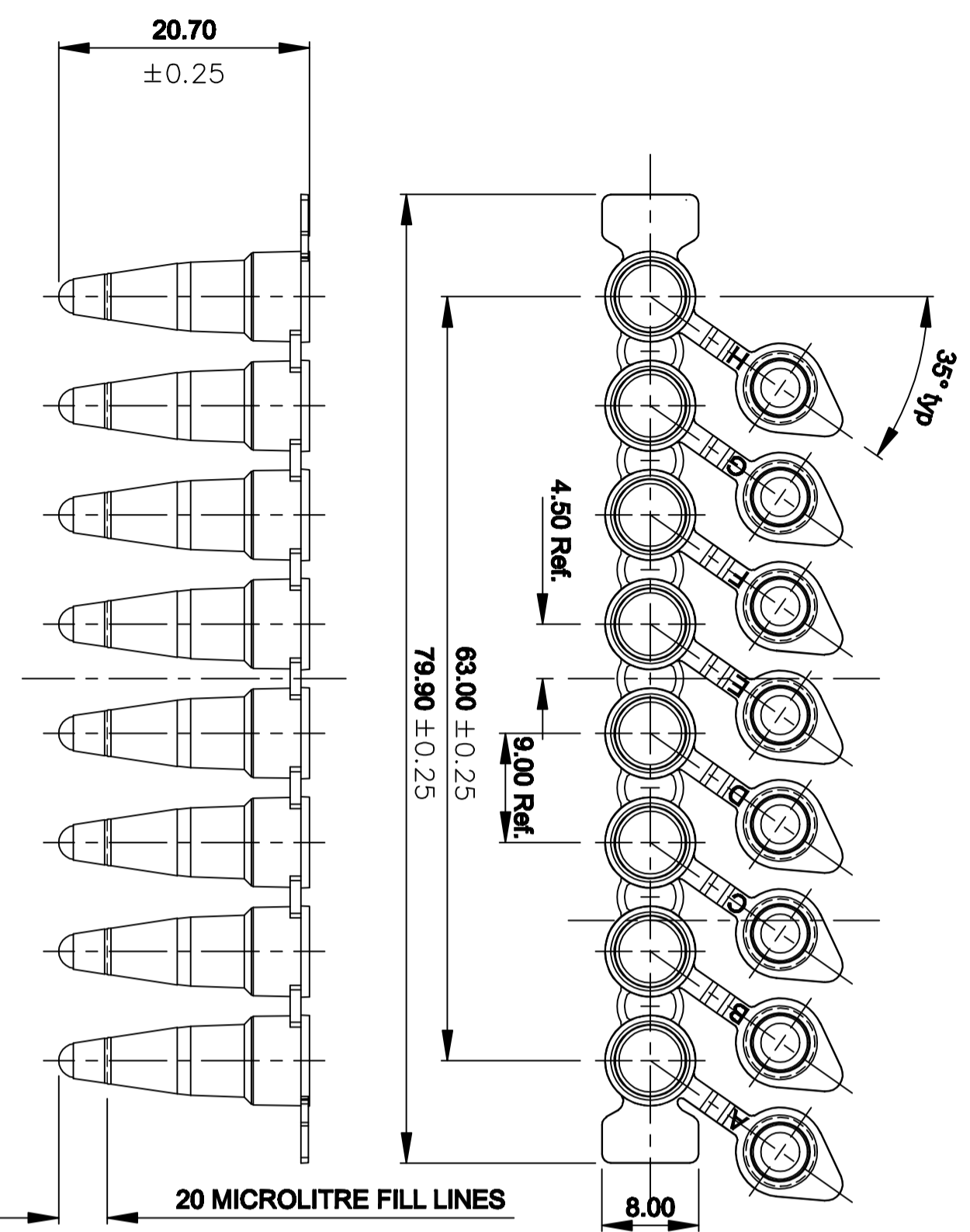
Life Technologies
5781 Van Allen Way
Carlsbad, CA, USA 92008
www.thermofisher.com
For inquiries, contact us at
cofarequests@thermofisher.com

Quality Assurance
Issued 19APR2021

FORM-00016G
Doc: 100041732 B

NOT TO SCALE

Copyright Thermofisher Scientific
 This drawing and/or any technical information relating to it is issued in strict confidence and may not be reproduced or used for manufacture without written permission. Upon receipt of which it is the users responsibility to seek confirmation of any dimensions and production tolerances.



SECTION thro' TUBE & CAP 8pos

TITLE
 MicroAmp™ Optical 8-tube Strip
 with attached Optical caps

All dimensions in mm

DRG. NO.
 A30588

ISSUE
 ORIGINAL

DATE
 07/04/16

MicroAmp™ plastic consumables compatibility chart for Applied Biosystems™ endpoint PCR systems and genetic analyzers

Product	Cat. No.	3 x 32-well	96-well 0.2 mL		96-well 0.1 mL	384-well		Genetic analyzers		
		ProFlex™	ProFlex, SimpliAmp™, VeritiPro™, Veriti™, MiniAmp™ Plus, MiniAmp	2720	9700	Veriti	ProFlex, Veriti, VeritiPro™	9700	310	3130, 3130xl, 3500, 3500xl, 3730, 3730xl
96-well 0.2 mL reaction plates										
Optical 96-Well Plate	N8010560, 4316813		•	•	•					•
Optical 96-Well Plate with Barcode	4306737, 4326659		•	•	•					•
96-Well Plate with Barcode & Optical Caps	403012		•	•	•					
Optical 96-Well Plate with Barcode & Optical Adhesive Films	4314320		•	•	•					
EnduraPlate Optical 96-Well Clear Plate	A36924		•	•	•					•
EnduraPlate Optical 96-Well Clear Plate with Barcode*	4483354, 4483352		•	•	•					•
TriFlex 3 x 32-Well Reaction Plate	A32810, A32811	•	•	•	•					
96-well 0.1 mL reaction plates										
Fast Optical 96-Well Plate, 0.1 mL	4346907				•				•	•
Fast Optical 96-Well Plate with Barcode, 0.1 mL	4346906, 4366932				•				•	•
EnduraPlate Optical 96-Well Fast Plate	A36930				•				•	•
EnduraPlate Optical 96-Well Fast Clear Plate with Barcode*	4483485, 4483494				•				•	•
384-well reaction plates										
Optical 384-Well Plate	4343370					•	•			•
Optical 384-Well Plate with Barcode	4309849, 4326270, 4343814					•	•			•
EnduraPlate Optical 384-Well Plate	A36931					•	•			•
EnduraPlate Optical 384-Well Clear Plate with Barcode*	4483285, 4483273					•	•			•
Strip tubes and caps										
Fast 8-Tube Strip, 0.1 mL	4358293				•					
Optical 8-Tube Strip with Attached Optical Caps, 0.2 mL	A30588	•	•	•	•					
8-Tube Strip with Attached Domed Caps, 0.2 mL	A30589	•	•	•	•					
8-Tube Strip, 0.2 mL*	N8010580	•	•	•	•				•	
Optical 8-Tube Strip, 0.2 mL	4316567	•	•	•	•					
8-Cap Strip*	N8010535, N8011535	•	•	•	•	•				
Optical 8-Cap Strip	4323032	•	•	•	•	•				
12-Cap Strip*	N8010534, N8011534	•	•	•	•	•				
Single tubes										
Fast Reaction Tube with Cap, 0.1 mL	4358297, 4358293				•					
Reaction Tube with Cap, 0.2 mL*	N8010540, N8010612, N8011540	•	•	•	•					
Reaction Tube without Cap, 0.2 mL*	N8010533, N8011533	•	•	•	•					
Optical Tube without Cap, 0.2 mL	N8010933	•	•	•	•					
Seals and covers										
Clear Adhesive Film	4306311		•	•	•	•	•			
Optical Adhesive Film	4360954, 4311971		•	•	•	•	•			
96-Well Full Plate Cover	N8010550			•	•					
32-Well Clear Adhesive Film	A32812	•	•	•	•					
Accessories										
Splash-Free 96-Well Base	4312063		•	•	•	•				
96-Well Support Base	4379590		•	•	•	•				•
96-Well Base	N8010531		•	•	•					
96-Well Reaction Tube/Tray/Retainer Set, 0.2 mL	403083, 403086			•	•					

* Multiple colors are available.

Note: Experiments using one or two 8-tube strips with attached caps require blank tube strips to balance lid pressure on the block or the use of the Applied Biosystems™ MicroAmp™ 96-Well Tray/Retainer Set (Cat. No. 4381850)—bottom part of the tray *only*; For use with the 96-well block of the ProFlex, SimpliAmp, Veriti, VeritiPro, MiniAmp Plus, and MiniAmp thermal cyclers.

MicroAmp™ plastic consumables compatibility chart for Applied Biosystems™ real-time PCR systems

Product	Cat. No.	48-well		96-well 0.2 mL			96-well 0.1 mL			384-well
		StepOne™	7000	7300, 7500	QuantStudio™ 3, 5, 6, 6 Pro, 7, 7 Pro, 12K; ViiA™ 7; 7900HT		StepOnePlus™	7500	QuantStudio 3, 5, 6, 6 Pro, 7, 7 Pro, 12K; ViiA 7; 7900HT**	QuantStudio 5, 6, 6 Pro, 7, 7 Pro, 12K; ViiA 7; 7900HT
96-well 0.2 mL reaction plates										
Optical 96-Well Plate	N8010560, 4316813		•	•						
Optical 96-Well Plate with Barcode	4306737, 4326659		•	•						
Optical 96-Well Plate with Barcode & Optical Caps	403012		•	•						
Optical 96-Well Plate with Barcode & Optical Adhesive Films	4314320		•	•						
EnduraPlate Optical 96-Well Clear Plate	A36924			•						
EnduraPlate Optical 96-Well Clear Plate with Barcode*	4483354, 4483352			•						
96-well 0.1 mL reaction plates										
Fast Optical 96-Well Plate, 0.1 mL	4346907					•	•	•		
Fast Optical 96-Well Plate with Barcode, 0.1 mL	4346906, 4366932					•	•	•		
EnduraPlate Optical 96-Well Fast Plate	A36930					•	•	•		
EnduraPlate Optical 96-Well Fast Clear Plate with Barcode*	4483485, 4483494					•	•	•		
384-well reaction plates										
Optical 384-Well Plate	4343370									•
Optical 384-Well Plate with Barcode	4309849, 4326270, 4343814									•
EnduraPlate Optical 384-Well Plate	A36931									•
EnduraPlate Optical 384-Well Clear Plate with Barcode*	4483285, 4483273									•
48-well reaction plates										
Fast Optical 48-Well Plate	4375816	•								
Strip tubes and caps										
Fast 8-Tube Strip, 0.1 mL	4358293	•				•	•	•		
Optical 8-Tube Strip with Attached Optical Caps, 0.2 mL	A30588		•	•						
Optical 8-Tube Strip, 0.2 mL	4316567		•	•						
Optical 8-Cap Strip	4323032	•	•	•		•	•	•		
Single tubes and caps										
Fast Reaction Tube with Cap, 0.1 mL	4358297	•				•		•		
Optical Tube without Cap, 0.2 mL	N8010933		•	•						
Seals and covers										
Optical Adhesive Film	4360954, 4311971		•	•		•	•	•		•
48-Well Optical Adhesive Film	4375323	•								
Reaction trays										
96-Well Tray/Retainer Set	403081		•							
Fast 48-Well Tray	4375282	•								
96-Well Tray for VeriFlex Blocks	4379983					•				
Accessories										
Splash-Free 96-Well Base	4312063		•	•		•	•	•		
96-Well Support Base	4379590		•	•		•	•	•		
96-Well Base	N8010531		•	•		•	•	•		

* Multiple colors are available.

** 7900HT (0.2 mL and 0.1 mL) instruments are not recommended for use with individual tubes or tube strips.

Note: Experiments using one or two 8-tube strips with attached caps require blank tube strips to balance lid pressure on the block or the use of the MicroAmp 96-Well Tray/Retainer Set (Cat. No. 4381850)—bottom part of the tray *only*. For use with the 96-well block of the 7000, 7300, 7500, and ViiA 7 systems, and the QuantStudio 3, 5, 6, 6 Pro, 7, 7 Pro, and 12K instruments.

Find out more at thermofisher.com/pcrplastics