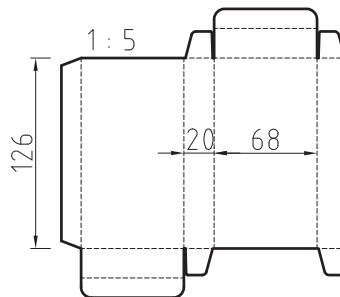


1658 1T PKG

① KIT:

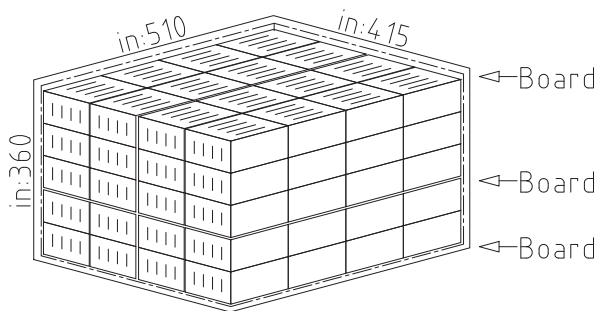
68x20x126mm



② CARTONize:

1605001601 510x415x360纸箱，3衬片

400盒/箱



Project		1658		Title		PKG	
Designed by - date		Approved by - date		Part code		CONFIDENTIAL AND PROPRIETARY INFORMATION This document is the property of VivaChek and is considered company confidential. The reproduction or use of information herein, all or in part, is expressly prohibited without written confirmation from a principal member of management at VivaChek.	
Leo 2024.03.27				/			
 Scale /		杭州微策生物技术股份有限公司 VivaChek Biotech (Hangzhou) Co., Ltd.					
UNIT mm		Sheet 1 of 1					