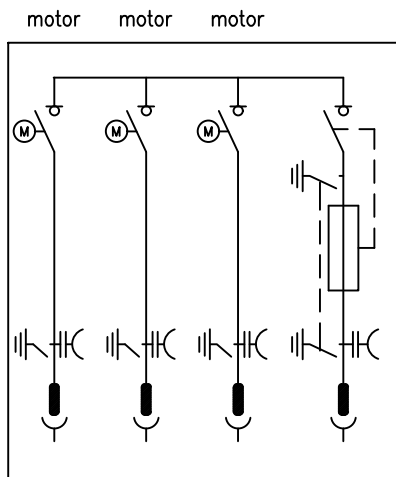
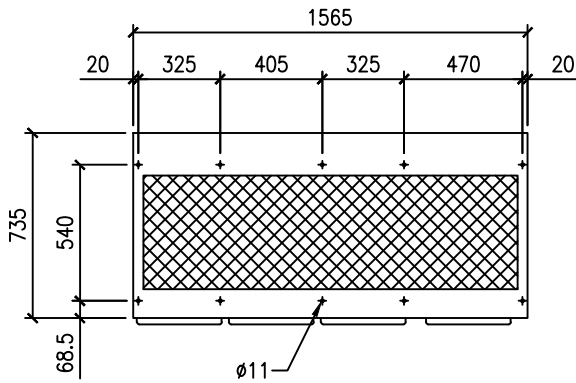
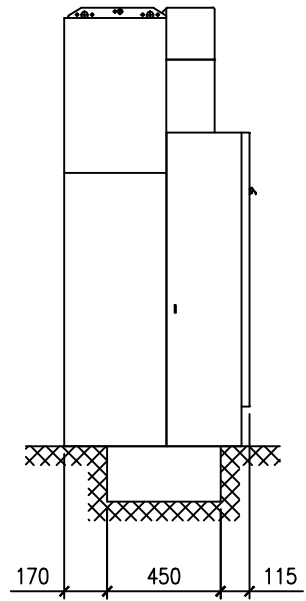
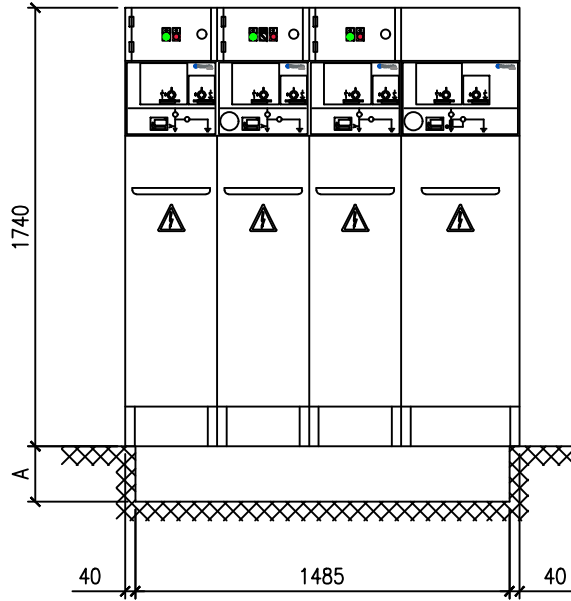


© THIS DOCUMENT IS THE PROPERTY OF ORMAZABAL. ALL RIGHTS ARE RESERVED AND ARE NOT TO BE COPIED OR REPRODUCED WITHOUT ORMAZABAL EXPRESS WRITTEN CONSENT.



PT3290C7

A: CABLE TRENCH DEPTH ACCORDING TO CURVATURE RADIUS.

	ormabloc cgmcosmos 50-32-25 Tender RedNord		P024749	
			Rev. N°: 0	Sheet 14 of 15
	Designed by	I.F.G.	18-02-2025	Scale : 1/30
	Revised by	I.G.M.	18-02-2025	Contract No.
Approved by			<b>A4</b> metric	