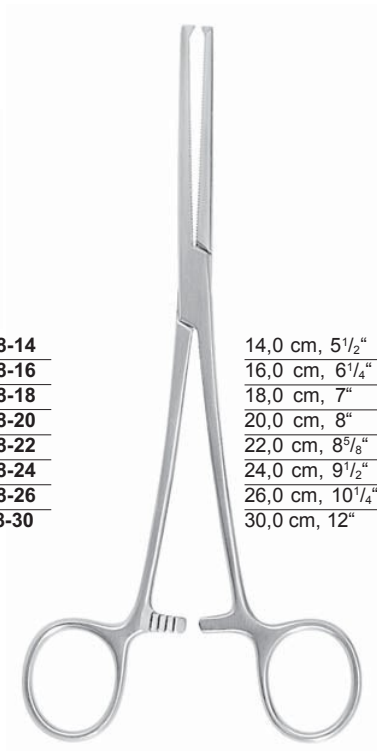


Arterienklemmen
 Haemostatic Forceps
 Pinzas hemostáticas
 Pinze emostatiche



14,0 cm, 5 1/2"	AK-1617-14	AK-1618-14
16,0 cm, 6 1/4"	AK-1617-16	AK-1618-16
18,0 cm, 7"	AK-1617-18	AK-1618-18
20,0 cm, 8"	AK-1617-20	AK-1618-20
22,0 cm, 8 5/8"	AK-1617-22	AK-1618-22
24,0 cm, 9 1/2"	AK-1617-24	AK-1618-24
26,0 cm, 10 1/4"	AK-1617-26	AK-1618-26
30,0 cm, 12"	AK-1617-30	AK-1618-30

ROCHESTER-PEAN



14,0 cm, 5 1/2"	AK-1619-14	AK-1620-14
16,0 cm, 6 1/4"	AK-1619-16	AK-1620-16
18,0 cm, 7"	AK-1619-18	AK-1620-18
20,0 cm, 8"	AK-1619-20	AK-1620-20
22,0 cm, 8 5/8"	AK-1619-22	AK-1620-22
24,0 cm, 9 1/2"	AK-1619-24	AK-1620-24
26,0 cm, 10 1/4"	AK-1619-26	AK-1620-26
30,0 cm, 12"	AK-1619-30	AK-1620-30

KOCHER-OCHSNER



20,0 cm, 8"	AK-1621-20	AK-1622-20	AK-1623-20	AK-1624-20
26,0 cm, 10 1/4"	AK-1621-26	AK-1622-26	AK-1623-26	AK-1624-26

BENGOLEA