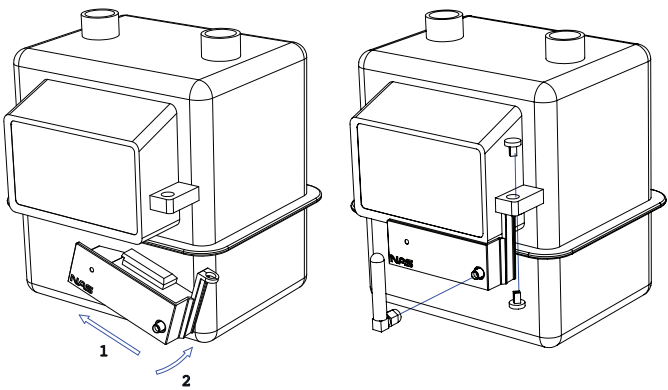


LoRaWAN™ BK-G Pulse Reader

CM3060

1 BK-G PULSE READER INSTALLATION

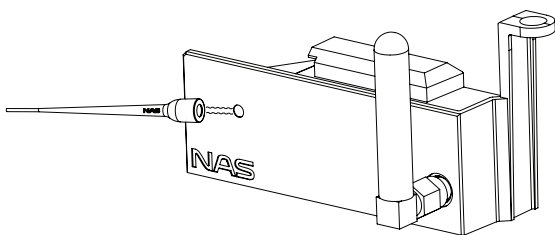
Install the reader to the gas meter as indicated on the diagram. Fasten the reader and attach the antenna.



2 SWITCHING ON

Hold the magnet against the device (see illustration below) for at least 1 second.

- The sensor starts to initialize and the red light will flash (at least 5 seconds).
 - If the sensor failed to initialize the red light will stay on for 5 sec.
- Otherwise it will try to register to the network and the green light is flashing (at least 5 sec).
 - If it failed to join, the red light will stay on for 5 sec.
- If the network join was successful, the green light will stay on for 5 sec.



3 TROUBLESHOOTING

If the device did not register to the network, it can be for 2 reasons:

- The device is not allowed in the network and it must be registered with the service provider.

The necessary data is on a separate sticker in the package (DevEUI, AppEUI, AppKey). Once the device is registered repeat the switching on procedure described under point 2.

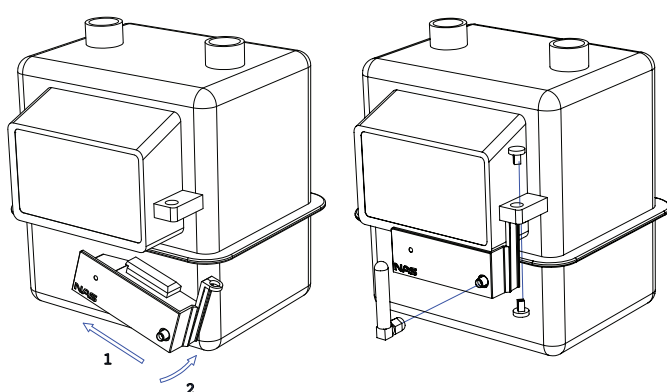
- There is no LoRaWAN reception. Contact your LoRaWAN service provider.

LoRaWAN™ BK-G Pulse Reader

CM3060

1 BK-G PULSE READER INSTALLATION

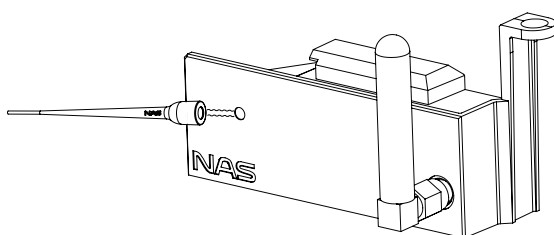
Install the reader to the gas meter as indicated on the diagram. Fasten the reader and attach the antenna.



2 SWITCHING ON

Hold the magnet against the device (see illustration below) for at least 1 second.

- The sensor starts to initialize and the red light will flash (at least 5 seconds).
 - If the sensor failed to initialize the red light will stay on for 5 sec.
- Otherwise it will try to register to the network and the green light is flashing (at least 5 sec).
 - If it failed to join, the red light will stay on for 5 sec.
- If the network join was successful, the green light will stay on for 5 sec.



3 TROUBLESHOOTING

If the device did not register to the network, it can be for 2 reasons:

- The device is not allowed in the network and it must be registered with the service provider.

The necessary data is on a separate sticker in the package (DevEUI, AppEUI, AppKey). Once the device is registered repeat the switching on procedure described under point 2.

- There is no LoRaWAN reception. Contact your LoRaWAN service provider.