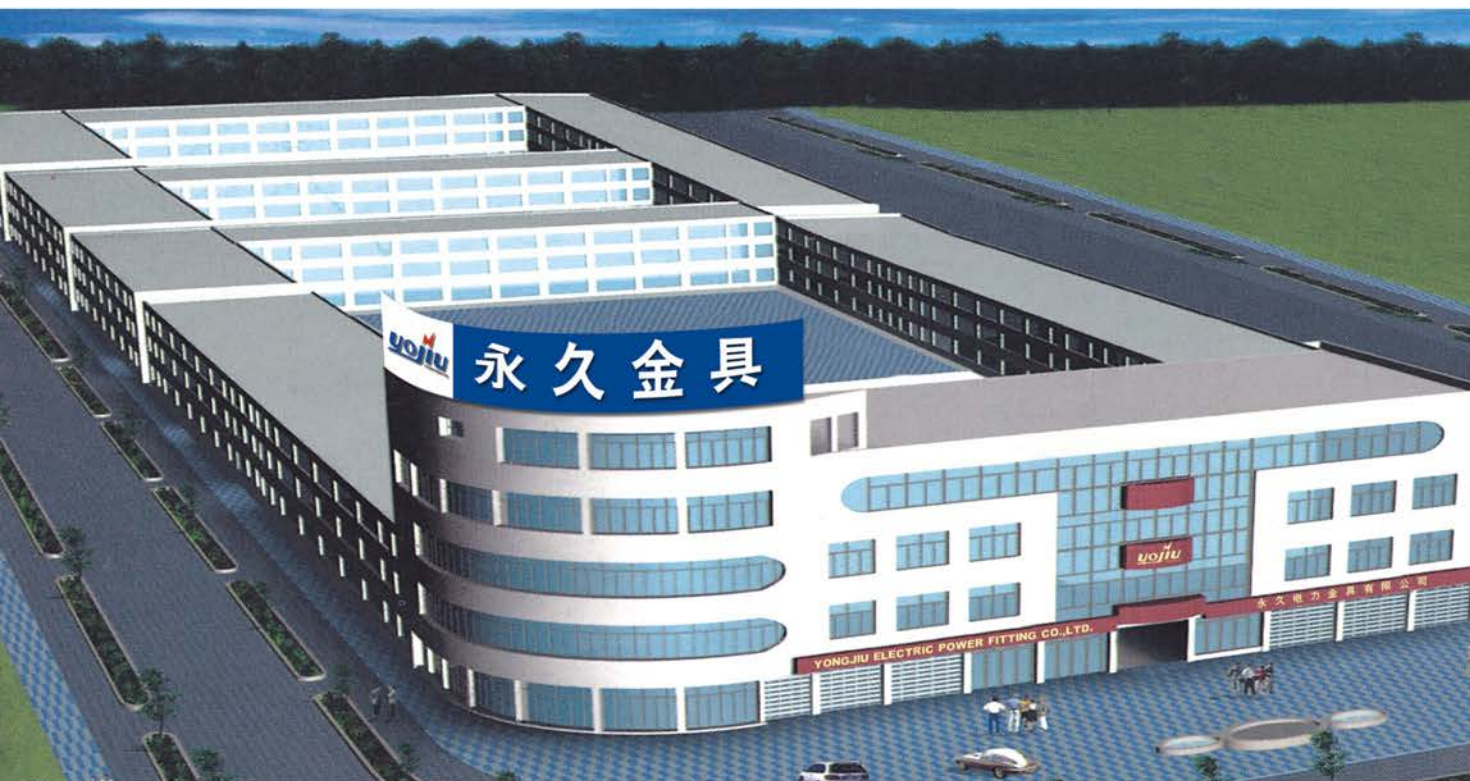




Low Voltage ABC Accessories

Product Catalogue



Company Profile

YONGJIU ELECTRIC POWER FITTING



Yongjiu Electric Power Fitting Co.,Ltd. is a primary domestic professional manufacturer of electric power fitting and cable accessory. Our main products are cable connector, line fitting, (Copper Aluminium and iron),cable accessory, plastic products, power tools, fuse(LV & HV),light arrester and insulator with approved quality complying with ISO9001/2000.

Our company was founded in 1989.Our company is located in LiuShi Town, Wenzhou, which is the center of electrical equipment in China. It is about 15 km from Wenzhou Airport and Railway Station.

Covering an area of 20,000 square meters, our company has more than 300 skilled staffs, including 38 senior & intermediate technical personnel and administrative personnel.

Focusing attention on innovation, our company has successfully developed more than 200 series products. With internationally advanced machinery processing facilities, our company is capable of producing various electric power fitting and cable accessory to meet customers' special requirement.

Our products have been exported to more than 40 countries and they are sold well in those countries and regions.

We enjoy a good reputation among customers due to unique styles and consistently high quality, Adhering to the principle of "Since Service, Faithful Reputation and Top Priority of Customers", we always try our best to provide excellent after-sales service.

We sincerely welcome clients all over the world to establish business relationships with us for a mutual development.



Certificate



Test Report

<p>Guangzhou LCS Compliance Testing Laboratory Ltd. 3rd Floor, 34-1, Qingping North Road, Shiqi Village, Shiqi Town, Panyu District, Guangzhou, Guangdong, China Tel: 86 (0) 20 29198918 Fax: 86 (0) 20 29198919 Internet: http://www.lcs-test.com Report No.: LCS17120202A</p> <p>NF C33-020 TEST REPORT</p> <p>Client company : YONGJU ELECTRIC POWER FITTING CO., LTD. Client address : Jiaxi Industrial Zone, Lixishi Town, Yangpu City, Zhejiang province, China</p> <p>Report on the submitted samples sent to us: Sample Name : Insulation Flanging Connector Trade Mark : YONGJU Sample model : YFJCA-85 Sample Receiving Date : 20170101 Testing Period : 20160505 to 20160518 Results : Please refer to next page(s).</p> <p>TEST REQUIREMENT NF C33-020:2013 FRAS Insulated cables and their accessories for power systems - Insulated pairing branch connectors for overhead distributions and services with bundle assembled cores, of rated voltage 0.6/1 kV</p> <p>CONCLUSION accessories for power systems - overhead distribution with bundle voltage 0.6/1 kV</p> <p>LCS</p> <p>Signed for and on behalf of LCS</p> <p>Written by: <i>[Signature]</i> Base File Administrator Approved by: <i>[Signature]</i> Test Case Manager</p> <p>Page 1 of 16</p>	<p>Testing Laboratory Ltd. 3rd Floor, Shiqi Village, Shiqi Town, Panyu District, Guangzhou, China Fax: 86 (0) 20 29198919 Internet: http://www.lcs-test.com Report No.: LCS17120202B</p> <p>NF C33-040 TEST REPORT</p> <p>Client company : YONGJU ELECTRIC POWER FITTING CO., LTD. Client address : Jiaxi Industrial Zone, Lixishi Town, Yangpu City, Zhejiang province, China</p> <p>Report on the submitted samples sent to us: Sample Name : Anomalous Alloy Bracket Trade Mark : YONGJU Sample model : YJCA1500 Sample Receiving Date : 20171214 to 20171220 Testing Period : Please refer to next page(s).</p> <p>TEST REQUIREMENT accessories for power systems - overhead distribution with bundle voltage 0.6/1 kV</p> <p>CONCLUSION accessories for power systems - overhead distribution with bundle assembled</p> <p>LCS</p> <p>Signed for and on behalf of LCS</p> <p>Written by: <i>[Signature]</i> Base File Administrator Approved by: <i>[Signature]</i> Test Case Manager</p> <p>Page 1 of 7</p>	<p>Testing Laboratory Ltd. 3rd Floor, Shiqi Village, Shiqi Town, Panyu District, Guangzhou, China Fax: 86 (0) 20 29198919 Internet: http://www.lcs-test.com Report No.: LCS17120202C</p> <p>NF C33-041 TEST REPORT</p> <p>Client company : YONGJU ELECTRIC POWER FITTING CO., LTD. Client address : Jiaxi Industrial Zone, Lixishi Town, Yangpu City, Zhejiang province, China</p> <p>Report on the submitted samples sent to us: Sample Name : Anchoring Wedge Clamp Trade Mark : YONGJU Sample model : YFPA160 Sample Receiving Date : 20171214 to 20171220 Testing Period : Please refer to next page(s).</p> <p>TEST REQUIREMENT accessories for power systems - overhead distribution with bundle assembled</p> <p>CONCLUSION accessories for power systems - overhead distribution with bundle assembled</p> <p>LCS</p> <p>Signed for and on behalf of LCS</p> <p>Written by: <i>[Signature]</i> Base File Administrator Approved by: <i>[Signature]</i> Test Case Manager</p> <p>Page 1 of 16</p>	<p>Testing Laboratory Ltd. 3rd Floor, Shiqi Village, Shiqi Town, Panyu District, Guangzhou, China Fax: 86 (0) 20 29198919 Internet: http://www.lcs-test.com Report No.: LCS17120202D</p> <p>NF C33-040 TEST REPORT</p> <p>Client company : YONGJU ELECTRIC POWER FITTING CO., LTD. Client address : Jiaxi Industrial Zone, Lixishi Town, Yangpu City, Zhejiang province, China</p> <p>Report on the submitted samples sent to us: Sample Name : Suspension Clamp Trade Mark : YONGJU Sample model : S846-14 Sample Receiving Date : 20171214 to 20171220 Testing Period : Please refer to next page(s).</p> <p>TEST REQUIREMENT accessories for power systems - overhead distribution with bundle voltage 0.6/1 kV</p> <p>CONCLUSION accessories for power systems - overhead distribution with bundle assembled</p> <p>LCS</p> <p>Signed for and on behalf of LCS</p> <p>Written by: <i>[Signature]</i> Base File Administrator Approved by: <i>[Signature]</i> Test Case Manager</p> <p>Page 1 of 17</p>	<p>Testing Laboratory Ltd. 3rd Floor, Shiqi Village, Shiqi Town, Panyu District, Guangzhou, China Fax: 86 (0) 20 29198919 Internet: http://www.lcs-test.com Report No.: LCS17120202E</p> <p>NF C33-021 TEST REPORT</p> <p>Client company : YONGJU ELECTRIC POWER FITTING CO., LTD. Client address : Jiaxi Industrial Zone, Lixishi Town, Yangpu City, Zhejiang province, China</p> <p>Report on the submitted samples sent to us: Sample Name : Pin-Insulated Bimetal Lug Trade Mark : YONGJU Sample model : CPTAU-85 Sample Receiving Date : 20171214 to 20171220 Testing Period : Please refer to next page(s).</p> <p>TEST REQUIREMENT accessories for power systems - overhead distribution with bundle assembled</p> <p>CONCLUSION accessories for power systems - overhead distribution with bundle assembled</p> <p>LCS</p> <p>Signed for and on behalf of LCS</p> <p>Written by: <i>[Signature]</i> Base File Administrator Approved by: <i>[Signature]</i> Test Case Manager</p> <p>Page 1 of 24</p>
---	---	--	--	---

Workshop&Lab



CONTENT

CONNECTORS

1.YJ, CTN INSULATION PIERCING CONNECTOR	01
2.JBC, IPC INSULATION PIERCING CONNECTOR	02
3.TTD, NTD INSULATION PIERCING CONNECTOR	03
4.DCNL, DCNK, CT, CDRS/CT And CBS/CT95 INSULATION PIERCING CONNECTOR	04
5.CPB, YJPGC, YJPGH INSULATION PIERCING CONNECTOR	05
6.10kV INSULATION PIERCING CONNECTOR	06
7.YJCT, YJCT295, YJCT295-2 INSULATION PIERCING CONNECTOR	07
8.FLEXIBLE END CAP, IPC ACCESSORIES	08
9.CPTA, CPTAU PRE-INSULATED BIMETAL LUG	09
10.MJPT PRE-INSULATED SLEEVE	10
11.MJPB PRE-INSULATED SLEEVE	11
12.MJPF FUSE LINK, PMCC25 EARTHING ADAPTER	12
13.C200 INSULATED STAPLE, YJPF16/95 FUSE SWITCH CONNECTOR, FC	13

TENSION AND SUSPENSION CLAMPS

1.YJPA25 SERVICE ANCHOR CLAMP	14
2.YJPAR, YJPC63 ANCHOR CLAMP	15
3.YJPAP, YJPA DEAD END CLAMP	16
4.JBG, YJPAS, YJPAT DEAD END CLAMP	17
5.YJPA235, YJPA435, YJPAG DEAD END CLAMP	18
6.YJRPA DEAD END CLAMP	19
7.YJPT SUSPENSION CLAMP	19
8.YJPSP, YJCS, YJES SUSPENSION CLAMP	20
9.YJPS, YJPSP, YJLM SUSPENSION CLAMP	21
10.FIXING NAIL, FIXING CABLE TIE	22

BRACKETS

1.YJCA, YJCR, YJCT ALUMINUM ALLOY POLE BRACKET	23
2.YJCS, UPB ALUMINUM ALLOY POLE BRACKET	24
3.YJCA25, YJCF, YJCS16ALUMINUM ALLOY POLE BRACKET	25
4.YJCD16, YJBJ, YJHS HOT DIP GALVANIZED STEEL HOOK	26
5.YJBH, YJBS HOT DIP GALVANIZED STEEL HOOK	27
6.YJCA25 ALUMINUM ALLOY POLE BRACKET	28
7.YJCF, YJCS16 YJHS HOT DIP GALVANIZED STEEL HOOK	28
8.YJEL HOT DIP GALVANIZED STEEL EYE BOLT	29
9.STAINLESS STEEL STRAP&BUCKLE AND TOOLS	30
10.OTHERS	31

Insulation Piercing Connector YJ Series

YJ series insulation piercing connectors are used to achieve contact by simultaneously piercing the insulation for majority types of LV-ABC conductors as well as connections in service line system, building electrical system and street lighting system.

- The insulation material is made of weather and UV resistant glass fiber reinforced polymer.
- Contact with the blade selects tin copper or a strong aluminum alloy, which ensures the optimal transition of contact area.
- Insulating end cap and easy to install.
- The product exceeds 6kV(1mm) dielectric withstand voltage when immersed in water.



Item No.	Main conductor size(mm ²)	Branch conductor size(mm ²)	Bolts QTY.
YJEPS	2.5-35	1.5-6	1×M6
YJEP	16-95	1.5-10	1×M6
YJ2-95	16-95	4-35(50)	1×M8
YJ2-150	50-150	6-35(50)	1×M8
YJ3-95	25-95	25-95	1×M8
YJ4-150	50-150	50-150	1×M8

Insulation Piercing Connectors CTN Series

CTN series insulation piercing connectors allow the transition between bare lines (aluminum or copper) and insulated LV ABC lines.



Item No.	Main conductor size(mm ²)	Branch conductor size(mm ²)	Bolts QTY.
CTN70A	16-95	4-35	1×M8
CTN95A	16-95	16-95	1×M8

Insulation Piercing Connector JBC Series

JBC insulation piercing connectors are used to achieve contact by simultaneously piercing the insulation for majority types of LV-ABC conductors as well as connections in service line system, building electrical system and street lighting system.

- The insulation material is made of weather and UV resistant glass fiber reinforced polymer.
- Contact with the blade selects tin copper or a strong aluminum alloy, which ensures the optimal transition of contact area.
- Insulating end cap and easy to install.



JBC Series

Item No.	Main conductor size(mm ²)	Branch conductor size(mm ²)	Bolts QTY.
JBC-1	35-70	6-35	1
JBC-2	35-150	35-150	1
JBC-3	50-240	50-240	2

Insulation Piercing Connector IPC Series

IPC series insulation piercing connectors can be used as a connection between LV-ABC and service or main cables.



IPC Series

Item No.	Main conductor size(mm ²)	Branch conductor size(mm ²)	Bolts QTY.
IPC3.1	16-95	10-25	1
IPC3.2	70-95	70-95	1
IPC3.3	120-185	16-25	1
IPC3.4	70-185	70-185	2

Insulation Piercing Connector TTD Series

TTD series insulation piercing connectors are applicable for all types of LV-ABC conductors as well as connections in service line system, building electrical system and street lighting system.



TTD Series

Item No.	Main conductor size(mm ²)	Branch conductor size(mm ²)	Bolts QTY.
TTD051F	16-95	1.5-10	1×M8
TTD101F	6-54	6-35	1×M8
TTD151F	25-95	(2.5)6-35	1×M8
TTD201F	35-95	25-95	1×M8
TTD281F	120-185	10-25	1×M8
TTD282F	25-95	2.5-35	1×M8
TTD2D82F	25-95	2×(6-35)	1×M8
TTD301F	25-95	25-95	2×M8
TTD401F	50-185	50-150	2×M10
TTD451F	120-185	70-185	2×M10

Insulation Piercing Connector NTD Series

NTD series insulation piercing connectors allow the transition between bare lines (aluminum or copper) and insulated LV ABC lines.



NTD Series

Item No.	Main conductor size(mm ²)	Branch conductor size(mm ²)	Bolts QTY.
NTD 151AF	16-95	2.5-35	1×M8
NTD 201AF	7-95	25-95	1×M8
NTD 241AF	50-150	6-35	1×M8
NTD 251AF	50-150	35-95	1×M8
NTD 301AF	7-95	35-95	2×M8
NTD 351AF	50-150	35-95	2×M8
NTD 401AF	50-150	50-150	2×M8

Insulation Piercing Connector DCNL Series

DCNL series insulation piercing connectors can be used as a connection between LV-ABC and service or main cables.



Item No.	Main conductor size(mm ²)	Branch conductor size(mm ²)	Bolts QTY.
DCNL-1	10-95	1.5-10	1
DCNL-2	16-95	4-35	1
DCNL-3	25-120	25-95	1

Insulation Piercing Connector DCNK-1 and CT-1

DCNK-1 and CT-1 insulation piercing connectors can be used as a connection between LV-ABC and service or main cables.



Item No.	Main conductor size(mm ²)	Branch conductor size(mm ²)	Bolts QTY.
DCNK-1	25-95	25-95	1
CT-1	25-70	6-35	1

Insulation Piercing Connector CDRS/CT70, CDRS/CT95 And CBS/CT95

CDRS/CT70, CDRS/CT95 and CBS/CT95 insulation Piercing Connectors are applicable for all types if LV-ABC.

- The insulation material is made of weather and UV resistant glass fiber reinforced polymer.



Item No.	Main conductor size(mm ²)	Branch conductor size(mm ²)	Bolts QTY.
CDRS/CT70	16-95	4-35	1
CDRS/CT95	16-95	16-95	1
CBS/CT95	16-95	2.5-35	1

Insulation Piercing Connector CPB Series

CPB insulation piercing connectors are applicable for majority types of LV-ABC.



Item No.	Main conductor size(mm ²)	Branch conductor size(mm ²)	Bolts QTY.
CPB 25	10-25	6-35	1
CPB 70	16-70	4-25	1
CPB 95	16-95	16-95	1

Insulation Piercing Connector YJPGC-A, YJPGC-B

YJPGC-A, YJPGC-B Series Insulation Piercing Connector can be used as a connection between LV-ABC and service or main cables.



Item No.	Main conductor size (mm ²)	Branch conductor size (mm ²)	Messenger DIA. (mm)	Tightening Torque (Nm)
YJPGC-A	16-95AL/1.5-70CU	10-95AL/1.5-70CU	3-16	20
YJPGC-B	10-150AL/10-95CU	10-54.6AL/10-35CU	6-19/6-13.3	26

Insulation Piercing Connector YJPGH-1

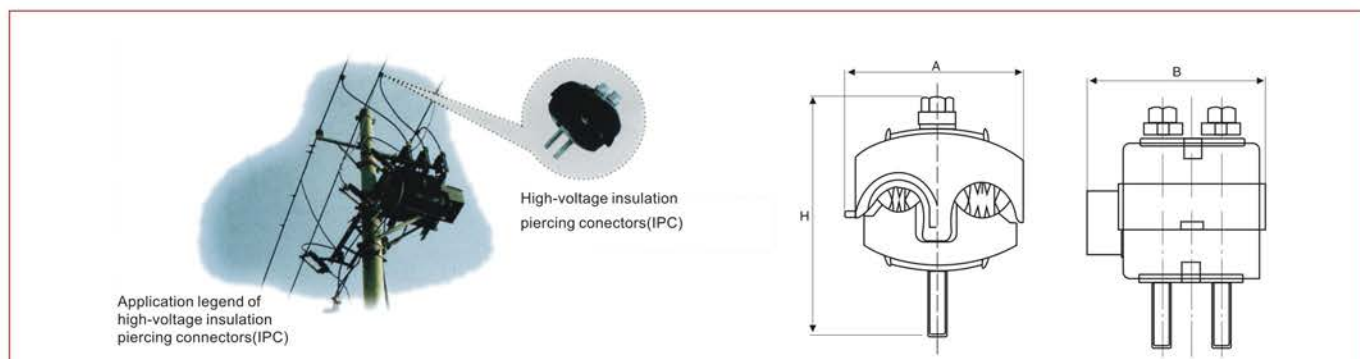
YJPGH-1 Insulation Piercing Connector can be used as a connection between LV-ABC and service or main cables.



Item No.	Main conductor size (mm ²)	Branch conductor size (mm ²)	Messenger DIA. (mm)	Tightening Torque (Nm)
YJPGH-1	10-95AL/1.5-70CU	10-95AL/1.5-70CU	3-16	22

Insulation Piercing Connector 10kV Series

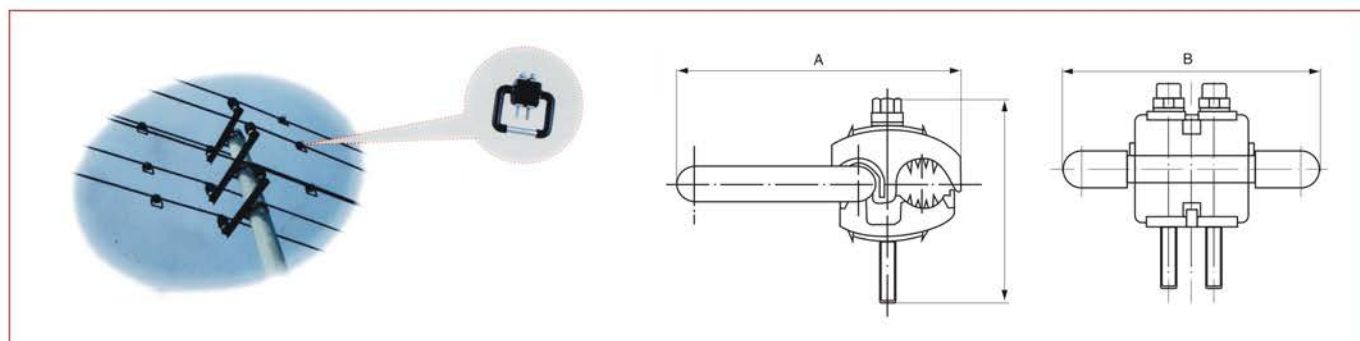
10kV series insulation piercing connectors are used to branch connection and succession of 10kV overhead insulated lead.



Item No.	Equivalent type	Applicable lead		Main Dimensions			Nominal current	Bolt Number	Piercing depth
		Main line	Branch line	A	B	H			
YJ10-240/240	JJC10-1	95-240	95-240	89.0	85.5	112.0	530	2	4.5-6
YJ10-240/150	JJC10-2	95-240	50-150	84.0	83.0	112.5	366	2	4.5-6
YJ10-185/50	JJC10-3	95-185	16-50	78.5	77.5	112.5	180	2	4.5-6
YJ10-95/70	JJC10-4	25-95	16-70	68.0	82.5	107.5	226	2	4.5-6
YJ10-240/50	JJC10-5	240/50	240/50	88.0	102.0	130.0	503	2	4.5-6

Insulation Piercing Connector 10kV Series

10kV series insulation piercing connectors are used to branch connection and succession of 10kV overhead insulated lead.



Item No.	Equivalent type	Applicable voltage	Applicable lead	Main Dimensions			Nominal current	Bolt Number	Piercing depth
				A	B	H			
YJ10-240/150	YJ10-1	10KV 1KV	150-240	160.0	140	112.5	476	2	4.5-6
YJ10-185/95	YJ10-2		95-185	152.0	140	112.5	476	2	4.5-6
YJ10-95/25	YJ10-3	GENERAL	25-95	144.5	140	95.2	257	2	4.5-6
YJ10-25/95	MIN		25-95	62.0	102	85.0	276	1	4.5-6

Insulation Piercing Connector YJCT Series

YJCT series insulation Piercing Connectors are applicable for low voltage aerial cables. These connectors are used to establish T-connectors and Joint-connectors.

- Piercing type on the main cable (stripping on the tap).
- Independent insulation cap ensures watertightness.
- The top of insulating cap can only be closed after shearhead has been twisted off, allowing a visual control.



Item No.	Main conductor size(mm ²)	Branch conductor size(mm ²)
YJCT 70	16-70	1.5-35
YJCT 95	35-95	4-50

Insulation Piercing Connector YJCT295 and YJCT295-2

YJCT295 insulation Piercing Connectors are applicable for all types of LV-ABC

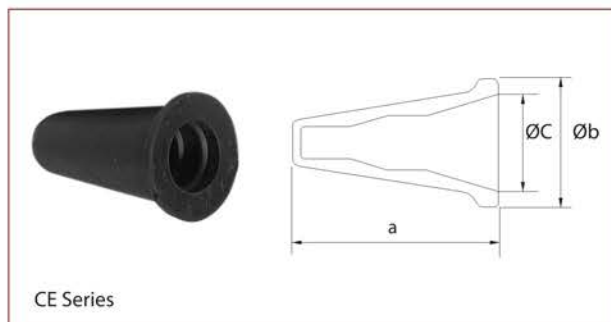
- The insulation material is made of weather and UV resistant glass fiber reinforced polymer.



Item No.	Main conductor size(mm ²)	Branch conductor size(mm ²)
YJCT295	35-95	2×(2.5-35)
YJCT295-2	35-95	2.5-35

Flexible End Cap

Flexible end caps are used to ensure a conductor insulation when fitted at its end. It can be implemented inside or outside.



Item No.	Conductor Size (mm ²)	a(mm)	b(mm)	c(mm)
CE6-35	6-35	30.4	17.8	6.5
CE16-150	16-150	40.5	26.3	10.5

The Accessories Of IPC

These accessories are combined with IPC, it is used for all types of LV-ABC conductors

- Its self-seam frame is wet proof, water proof, and anti-corrosive, which can prolong the using life of insulated lead and connector.

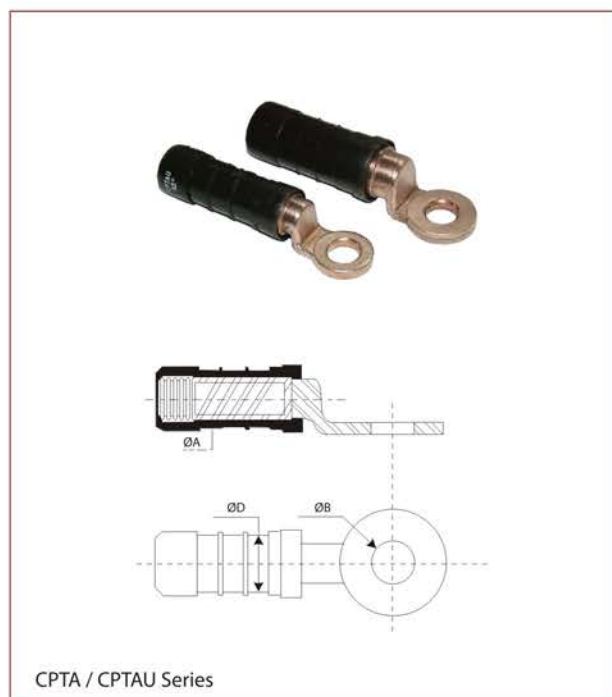


Item No.	Main conductor size(mm ²)	Branch conductor size(mm ²)	Bolts QTY.
YJF35	35	2.5-35	USE WITH IPC
YJF70	70	25-70	USE WITH IPC
YJF95	95	25-95	USE WITH IPC
YJFT235	70	2×(6-35)	USE WITH IPC

Pre-insulated Bimetal Lug CPTA And CPTAU Series

CPTA and CPTAU series pre-insulated bimetal lugs are used to connect a LV insulated overhead lines to the transformer.

- The lug is composed of an aluminum barrel friction welded to an aluminium or copper palm.
- The insulation of the barrel is made with a black thermoplastic sealed with a flexible elastomer ring.
- A seal is also installed in, between the copper and the aluminium, in order to avoid galvanic corrosion.
- The crimping is made directly on the plastic part.
- CPTA/AU range are in accordance with the test described in the French standard NFC 33-021.
- They are water resistant and pass the dielectric test of 6 KV in water.
- The mechanical resistance is 50% of the cable breaking load.



Item No.	Cross Section (mm ²)	Dimensions (mm)			Color Code	Crimping Die
		ØA	ØB	ØD		
CPTA 35	35	8.0	16.0	20	Red	E173
CPTA 50	50	9.0	16.0	20	Yellow	E173
CPTA 54	54	10.0	16.0	20	Black	E173
CPTA 70	70	10.5	16.0	20	White	E173
CPTA 95 D20	95	12.2	16.0	20	Grey	E173
CPTA 150-21 D20UK	150	15.5	21.0	20	Violet	E215
CPTAU 16 D16	16	5.5	10.5	16	Blue	E140
CPTAU 25 D16	25	6.5	10.5	16	Orange	E173
CPTAU 35	35	8.0	12.8	20	Red	E173
CPTAU 50	50	9.0	12.8	20	Yellow	E173
CPTAU 54	54	10.0	12.8	20	Black	E173
CPTAU 70	70	10.5	12.8	20	White	E173
CPTAU 95	95	12.2	12.8	20	Grey	E173
CPTAU 120 D25	120	14.2	12.8	25	Pink	E215
CPTAU 150 D25	150	15.5	12.8	25	Violet	E215

Pre-insulated Sleeves MJPT Series

MJPT series pre-insulated sleeves are used to link or repair LV overhead connection.

- An aluminum sleeve with a stop in the middle.
- A black thermoplastic sealed with a flexible elastomer ring.
- A neutral contact grease in the tube which improve the contact area and protect the aluminum against oxydation.
- The crimping is realized on the plastic part according to the marks on the body of the sleeve.
- MJPT sleeves withstand the tests described in the French standard NFC 33-021.
- They are water resistant .The mechanical resistant is 50% of the cable breaking load.
- A color code permits to check quickly the cable sizes.

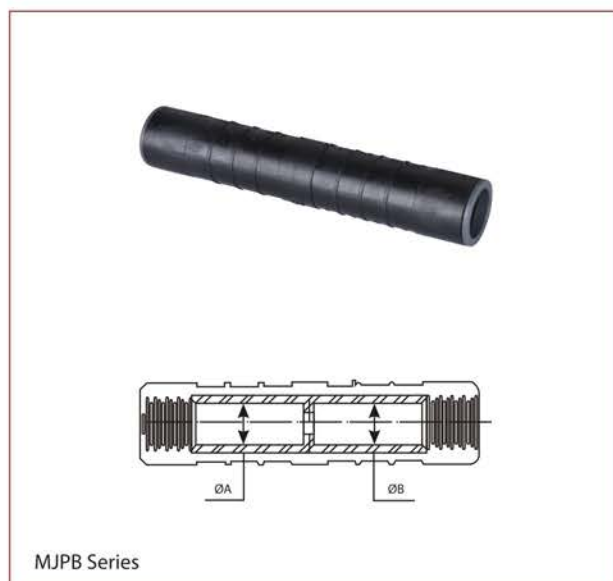


Item No.	Cross Section (mm ²)	Dimensions (mm)			Color Code	Crimping Die
		ØA	ØB	ØD		
MJPT16	16	5.5	5.5	20	Blue	E173
MJPT25	25	6.5	6.5	20	Orange	E173
MJPT35	35	8.0	8.0	20	Red	E173
MJPT35-25	35-25	8.0	6.5	-	Red/Orange	E173
MJPT50	50	9.0	9.0	20	Yellow	E173
MJPT50-35	50-35	9.0	9.0	20	Yellow/Red	E173
MJPT70	70	10.5	10.5	20	White	E173
MJPT70-35	70-35	10.5	8.0	20	White/Red	E173
MJPT70-50	70-50	10.5	9.0	20	White/Yellow	E173
MJPT95	95	12.2	12.2	20	Grey	E173
MJPT95-35	95-35	12.2	8.0	20	Grey/Red	E173
MJPT95-50	95-50	12.2	9.0	20	Grey/Yellow	E173
MJPT120D25	120	14.2	14.2	25	Pink	E215
MJPT150	150	15.5	15.5	25	Violet	E215
MJPT150-70	150-70	15.5	10.5	25	Violet/White	E215
MJPT150-95D25	150-95	15.5	12.2	25	Violet/Grey	E215
MJPT150-120D25	150-120	15.5	14.2	25	Violet/Pink	E215

Pre-insulated Sleeves MJPB Series

MJPB series pre-insulated sleeves are used to link or repair LV overhead connection.

- An aluminum sleeve with a stop in the middle.
- A black thermoplastic sealed with a flexible elastomer ring.
- A neutral contact grease in the tube which improve the contact area and protect the aluminum against oxydation.
- The crimping is realized on the plastic part according to the marks on the body of the sleeve.
- MJPB sleeves withstand the tests described in the French standard NFC 33-021.
- They are water resistant .The mechanical resistant is 50% of the cable breaking load.
- A color code permits to check quickly the cable sizes.



Item No.	Cross Section(mm ²)	Dimensions (mm)		Color Code	Crimping Die
		ØA	ØB		
MJPB 4	4	2.7	2.7	Ivory	E140
MJPB 6-4	6-4	3.3	2.7	Brown/Ivory	E140
MJPB 10-4	10-4	4.3	2.7	Green/Ivory	E140
MJPB 16-4	16-4	5.3	2.7	Blue/Ivory	E140
MJPB 6	6	3.3	3.3	Brown	E140
MJPB 10-6	10-6	4.3	3.3	Green/Brown	E140
MJPB 16-6	16-6	5.3	3.3	Blue/Brown	E140
MJPB 25-6	25-6	6.5	3.3	Orange/Brown	E140
MJPB 35-6	35-6	8.0	3.3	Red/Brown	E140
MJPB 10	10	4.3	4.3	Green	E140
MJPB 16-10	16-10	5.3	4.3	Blue/Green	E140
MJPB 25-10	25-10	6.5	4.3	Orange/Green	E140
MJPB 35-10	35-10	8.0	4.3	Red/Green	E140
MJPB 16	16	5.3	5.3	Blue	E140
MJPB 25-16	25-16	6.5	5.3	Orange/Blue	E140
MJPB 35-16	35-16	8.0	5.3	Red/Blue	E140
MJPB 25	25	5.5	6.5	Orange	E140
MJPB 35-25	35-25	8.0	6.5	Red/Orange	E140
MJPB 35	35	8.0	8.0	Red	E140

Fuse Link MJPF Series

MJPF series fuse links are used to integrate a break point on LV-ABC lines.

- Equipped with aluminium tube, material: AL \geq 99.5%.
- Insulation sheath is made of weather UV resistant material.
- Possible to insert a fuse from 4A to 125A of 22 \times 58 dimension.
- Connection and disconnection under load up to 60A max.
- End cap is attached to the body, no loose parts could fall off during installation.



Item No.	Main conductor size(mm ²)		Branch conductor size(mm ²)	Bolts QTY.
	A	B	C	L
MJPF 16/16	16	16	16.2	174
MJPF 16/25	16	25	16.2	174
MJPF 25/25	25	25	16.2	174

Earthing Adapter PMCC25

PMCC25 earthing adapter is used for short-circuiting or earthing of low voltage A.B.C(Aerial Bundled Conductor) networks. It also enables voltage measurements.

- The adapter is installed on the tap-off side of an insulation piercing connector.
- The connection to earth is done by an insulated earthing equipment.
- Insulation is made of weather resistant material and contact stud is made of brass.



Item No.	Cross section(mm ²)	Breaking Load(KN)
PMCC25	25	1.2

Insulated Staple C200

In the process of installation, it is used with insulation piercing clamp to measure voltage, make short-circuit, and form protective grounding line.



Item No.	Cross section(mm ²)	Breaking Load
C200	16-95	20

Fuse Switch Connector YJPF16/95

YJPF16/95 fuse switch connector is designed to use 10.3×38mm fuse cartridge or neutral tube.

- It provides electrical protection to insulated service or street light conductors.
- It is connected to a low voltage A.B.C(Aerial Bundled Conductors).
- Maximum rating is 20A.



Item No.	Main conductor size(mm ²)	Branch conductor size(mm ²)	Note
YJPF16/95	6-16AL/CU	16-95AL/CU	Inside with fuse 10.3×38 1max=20A

Fast Connector

Fast connector has been designed to rapidly connect service line to the low voltage overhead distribution system, with a range of 4-16mm².

- Material of hexagonal copper bar: Cu≥99.9%.
- Insulation sheath is made of weather resistant and anti-UV material.
- It should be used with NEOZED fuse to ensure good performance.



Item No.	Cross section(mm ²)
FC	4-16

2-Cores Service Anchor Clamp YJPA25B Series

YJPA25B series 2-cores anchor clamps are used to fix the end of inside line, also suitable for insulated LV-ABC cable and multiple conductors.

- The body is made of high-quality materials of high tensile strength and resistance to environmental effects and UV radiation.
- No additional tools required.
- Standard: NFC33-042.



YJPA25B Series

Item No.	Cross section(mm ²)	Messenger DIA. (mm)	Breaking Load
YJPA25B-1	2×(16-25)	4-8	2 KN
YJPA25B-2	2×(16-25)	4-8	2 KN
YJPA25B-3	2×(16-25)	6-10	2.5KN

4-Cores Service Anchor Clamp YJPA25 Series

YJPA25 series 4-cores anchor clamps are designed for service line with 2 or 4 conductors.

- The body is made of high-quality materials of high tensile strength and resistance to environmental effects and UV radiation.
- No additional tools required.
- Standard: NFC33-042.



YJPA25 Series

Item No.	Cross section(mm ²)	Messenger DIA. (mm)	Breaking Load
YJPA25A	4×(16-25)	4-8	2 KN
YJPA25C-1	4×(16-25)	4-8	2 KN
YJPA25C-2	4×(4-35)	4-10	2 KN

Anchor Clamp YJPAR Series

YJPAR series anchor clamps are designed for service line with 2 or 4 conductors.

- The body is made of high-quality materials of high tensile strength and resistance to environmental effects and UV radiation.
- No additional tools required.
- Standard: NFC33-042.



Item No.	Cross section(mm ²)	Messsenger DIA. (mm)	Breaking Load
YJPAR20	2×(16-25)	10-16	2.5 KN
YJPAR21	2×4 -4×25	4-19	2.5 KN

Anchor Clamp YJPC63 Series

YJPC63 series anchor clamp is designed for service line with 2 or 4 conductors.

- The body is made of high-quality materials of high tensile strength and resistance to environmental effects and UV radiation.
- No additional tools required.
- Standard: NFC33-042.



Item No.	Cross section(mm ²)	Messsenger DIA. (mm)	Breaking Load
YJPC63	2×16-4×25	6-16	3 KN

Dead End Clamp YJPAP Series

YJPAP series dead end clamps are designed for service line with 2 or 4 conductors.

- The body is made of high-quality materials of high tensile strength and resistance to environmental effects and UV radiation.
- No additional tools required.
- Standard: NFC33-042.



Item No.	Cross section(mm ²)	Messenger DIA. (mm)	Breaking Load
YJPAP500	16-25	3-9	6 KN
YJPAP1500	50-70	11-14	10 KN
YJPAP2000	70-95	14-16	15 KN

Dead End Clamp YJPA Series

YJPA series dead end clamps are used for LV-ABC lines with insulated neutral messenger.

- The clamp consists of an aluminium alloy cast body and self-adjusting plastic wedges which tighten the conductor without insulation damage.
- All parts of the clamp are resistant to corrosion, environmental effects and UV radiation.



Item No.	Cross section(mm ²)	Messenger DIA. (mm)	Breaking Load
YJPA 500	16-35	8-11	4 KN
YJPA 1000	25-35	8-11	10 KN
YJPA 1500	50-70	11-14	15 KN
YJPA 2000	70-95	14-16	20 KN
YJPA 2500	90-150	16-20	20 KN

Dead End Clamp JBG Series

JBG series dead end clamps are used for LV-ABC lines with insulated neutral messenger.

- The clamp consists of an aluminium alloy cast body and self-adjusting plastic wedges which tighten the conductor without insulation damage.
- All parts of the clamp are resistant to corrosion, environmental effects and UV radiation.



Item No.	Cross section(mm ²)	Messenger DIA. (mm)	Breaking Load
JBG-1000	25-35	8-11	10 KN
JBG-1500	50-70	11-14	15 KN
JBG-2000	70-95	14-16	20 KN

Dead End Clamp YJPAS And YJPAT Series

YJPAS and YJPAT Series dead end clamps are designed to anchor self-supporting LV-ABC lines with 2 to 4 cores.

The wedge type clamp is self-adjusting.

- The clamp is made of weather and UV light resistant glass fibre reinforced polymer and hot dip galvanized steel.



Item No.	Cross section(mm ²)	Messenger DIA. (mm)	Breaking Load
YJPAS 216/435	2×16-4×35	4-11	4KN
YJPAT 235/50	2×(35-50)	8-11	15KN
YJPAT 435/50	4×(35-50)	11-14	15KN
YJPAT 470/95	4×(70-95)	14-16	40KN
YJPAT 450/120	4×(50-120)	11-17	40KN
YJPAT 495/150	4×(95-150)	16-21	40KN

Dead End Clamp YJPA235 And YJPA435

YJPA235 And YJPA435 dead end clamps are designed to anchor self-supporting LV-ABC lines with 2 to 4 cores.

- The wedge type clamp is self-adjusting.
- The clamp is made of weather and UV light resistant glass fiber reinforced polymer and hot dip galvanized steel.



Item No.	Cross section(mm ²)	Messenger DIA. (mm)	Breaking Load
YJPA235	16-35	4-11	6.5 KN
YJPA435	25-35	4-11	8 KN

Dead End Clamp YJPAG Series

YJPAG Series dead end clamps are designed to anchor self-supporting LV-ABC lines with 2 to 4 cores.

- The wedge type clamp is self-adjusting.
- The clamp is made of weather and UV light resistant glass fiber reinforced polymer and hot dip galvanized steel.



Item No.	Cross section(mm ²)	Messenger DIA. (mm)	Breaking Load
YJPAG216/425	2×16-4×25	4-8	8 KN
YJPAG216/425	2× (16-25)	4-8	6 KN

Dead End Clamp YJRPC Series

YJRPC series dead end clamps are designed to anchor self-supporting LV-ABC lines with 2 to 4 cores.

- The wedge type clamp is self-adjusting.
- The clamp is made of weather and UV light resistant glass fibre reinforced polymer and hot dip galvanized steel.



YJRPC Series

Item No.	Cross section(mm ²)	Messenger DIA. (mm)	Breaking Load
YJRPC425/50	4×(25-50)	7-12	20 KN
YJRPC450/120	4×(50-120)	11-17	30 KN

Suspension Clamp YJPT Series

YJPT series suspension clamps are designed to suspend self supporting LV-ABC lines.

- They can be also used for LV-ABC lines with bare and insulated neutral messenger.



YJPT Series

Item No.	Cross section(mm ²)	Breaking Load
YJPT25	2×16-4×25	8 KN
YJPT50	4×25-4×50	8 KN
YJPT95	4×70-4×95	10 KN

Suspension Clamp YJPSP Series

YJPSP suspension clamps are designed for the installation and suspension of four core LV-ABC cables to poles or walls. For straight lines and angles up to 90°.

- The clamp is made of corrosion resistant aluminium alloy and weather resistant material.



Item No.	Cross section(mm ²)	Messenger DIA. (mm)	Breaking Load
YJPSP120	4×(25-120)	10-30	20 KN
YJPSP120S	4×(25-120)	10-30	40 KN

Suspension Clamp Assembly

Suspension clamp assembly is designed to suspend LV-ABC lines with the insulated neutral messenger to the tower poles or walls.



Item No.	Cross section(mm ²)	Messenger DIA. (mm)	Breaking Load
YJCS-14	25-95	5-14	10 KN
YJES-14	25-95	5-14	10 KN
YJES-14-2	16-95	5-14	30 KN

Suspension Clamp YJPS95 Series

YJPS95 series suspension clamps are designed to suspend self supporting LV-ABC cable on the poles with the insulated neutral messenger.



Item No.	Cross section(mm ²)	Breaking Load
YJPS95	25-95	10 KN
YJPS95N	16-95	10 KN
YJPS95E	25-150	30 KN

Suspension Clamp YJPS Series

YJPS series suspension clamps are designed to suspend self supporting LV-ABC cable on the poles with the insulated neutral messenger.



Item No.	Cross section(mm ²)	Breaking Load
YJPS 1500	25-95	12 KN
YJPSP 25/120	2×(25-35)-4×(16-120)	12 KN
YJLM 1500	25-95	8 KN
YJPS 54	25-95	10 KN

Fixing Nail YJPF Series

YJPF series are designed for anchoring low voltage aerial cables. It is used on walls except the YJPF 3 which is used on wooden surfaces.

- Body and fixing tie are made of weather resistant and anti-UV material.
- Nail is made of medium carbon steel material with surface galvanized.
- Standard: NFC 33-040.



Item No.	Distance from the wall(cm)	Capacity
YJPF 93-1PC	1	Dia 10-40mm
YJPF 1	1	Dia 10-45mm
YJPF 2	6	Dia 18-55mm
YJPF 3		Dia 12-47mm
YJPF 4	3.5	Dia 14.5-50mm

Fixing Cable Tie BIC Series

BIC series fixing cable ties are used to fix LV-ABC cables to poles or walls.



Item No.	Conductor(mm)	Breaking Load(KN)
BIC15-50	15-50	0.4
BIC50-90	50-90	0.4

Aluminum Alloy Pole Bracket YJCA Series

YJCA Series aluminium alloy pole brackets are used for receiving LV ABC across a dead end clamp or suspension clamp.

- It is made of extraordinary tensile strength aluminium alloy.



Item No.	Breaking Load(KN)
YJCA1500	15
YJCA2000	20
YJCA2000 ENFORCED	20

Aluminum Alloy Pole Bracket YJCR Series

YJCR series aluminium alloy pole brackets are used for receiving LV ABC across a dead end clamp or suspension clamp.

- It is made of extraordinary tensile strength aluminium alloy.



Item No.	Breaking Load(KN)
YJCR1500A	15
YJCR1500B	15

Aluminum Alloy Pole Bracket YJCT Series

YJCT series aluminium alloy pole brackets are used for receiving LV ABC across a dead end clamp or suspension clamp.

- It is made of extraordinary tensile strength aluminium alloy.



Item No.	Breaking Load(KN)
YJCT1500	10
YJCT2000	15

Aluminum Alloy Pole Bracket YJCS1000

YJCS1000 aluminum alloy pole bracket is used for receiving LV ABC across a dead end clamp or suspension clamp.

- It is made of extraordinary tensile strength aluminium alloy.



Item No.	Breaking Load(KN)
YJCS1000	15

Aluminum Alloy Pole Bracket YJCS1200 And UPB

YJCS1200 and UPB aluminum alloy pole brackets are used for receiving LV ABC across a dead end clamp or suspension clamp.

- It is made of extraordinary tensile strength aluminium alloy.



Item No.	Breaking Load(KN)
YJCS1200	15
UPB	15

Aluminum Alloy Pole Bracket YJCS Series

YJCS series aluminum alloy pole brackets are used for receiving LV ABC across a dead end clamp or suspension clamp.

- It is made of extraordinary tensile strength aluminium alloy.



Item No.	Breaking Load(KN)
YJCS1500A	12
YJCS1500B	10

Aluminum Alloy Pole Bracket YJCA25 Series

YJCA25 series aluminum alloy pole brackets are used for receiving LV ABC across a dead end clamp or suspension clamp.

- It is made of extraordinary tensile strength aluminium alloy.

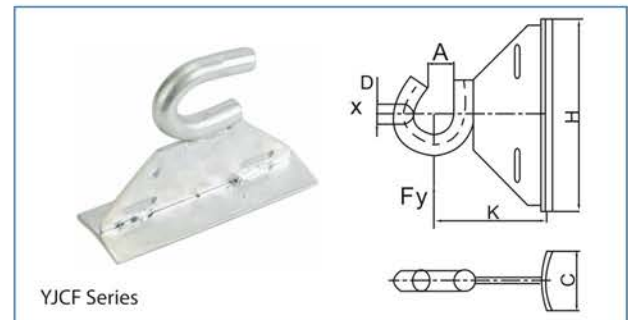


Item No.	Breaking Load(KN)
YJCA25A	2
YJCA25B	2

Hot Dip Galvanized Steel Hook YJCF Series

YJCF series hot dip galvanized steel hooks are used for receiving LV ABC across a dead end clamp or suspension clamp.

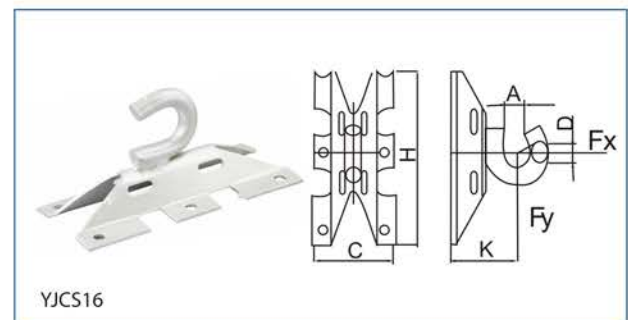
- It is made of hot-dip galvanized steel and fastened using stainless steel strap.



Item No.	Dimension(mm)					Breaking Load		
	D	A	K	H	C	F _x ,kN	F _y ,kN	Bec.r
YJCF16	16	18	85	150	45	17.8	12.5	610
YJCF20	20	18	91	150	45	27.7	17.7	740

Hot Dip Galvanized Steel Hook YJCS16

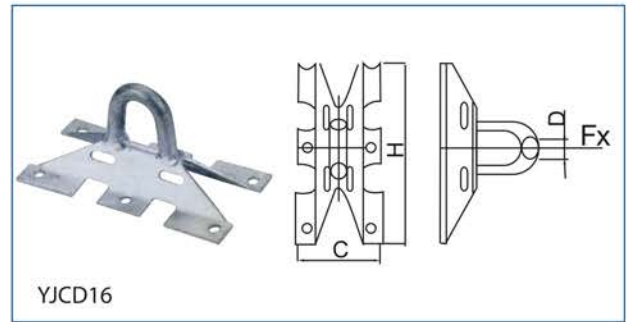
YJCS16 hot dip galvanized steel hook is used for aerial cables.



Item No.	Dimension(mm)					Breaking Load	
	D	A	K	H	C	F _x ,kN	F _y ,kN
YJCS16	16	18	67	200	96	17.4	13.3

Hot Dip Galvanized Steel Hook YJCD16

YJCD16 hot dip galvanized steel hook is used for aerial cables.

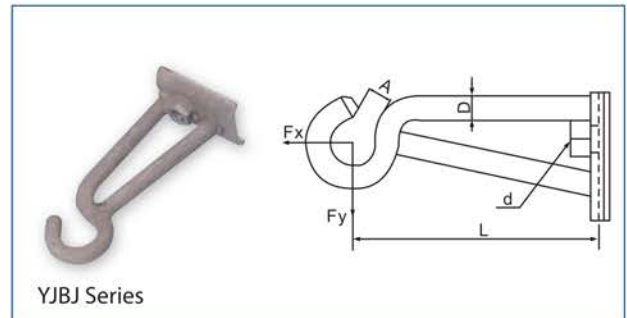


YJCD16

Item No.	Dimension(mm)				Breaking Load	
	D	A	H	C	F _x ,kN	F _y ,kN
YJCD16	16	18	200	96	17.4	13.3

Hot Dip Galvanized Steel Hook YBJ Series

YBJ series hot dip galvanized steel hooks are made of hot-dip galvanized steel.

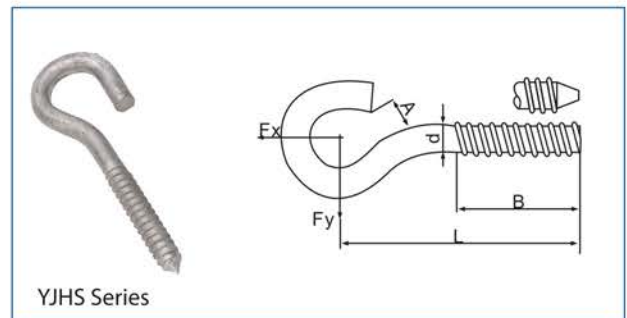


YBJ Series

Item No.	Dimension(mm)				Breaking Load		
	d	D	L	A	F _x ,kN	F _y ,kN	Bec.r
YBJ16	M16	16	206	20	9.7	6.2	1230
YBJ20	M20	20	208	20	13.3	8.6	1900
YBJ25	M24	25	290	24	24.6	19.5	3400

Hot Dip Galvanized Steel Hook YJHS Series

YJHS series hot dip galvanized steel hooks are made of hot-dip galvanized steel.



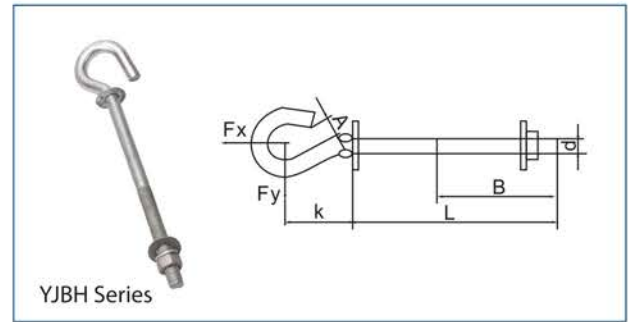
YJHS Series

Item No.	Dimension(mm)				Breaking Load		
	D	L	B	A	F _x ,kN	F _y ,kN	Bec.r
YJHS12	12	165	85	16	5.3	4.1	240
YJHS16	16	170	90	16	8.8	6.6	440
YJHS20	20	165	65	18	16.6	12.9	730

Hot Dip Galvanized Steel Hook YJBH Series

YJBH Series hot dip galvanized steel hooks are used on wooden, concrete and other power poles for receiving ABC across dead end clamps and suspension clamps.

- Its installation is easy, by pushing it through a hole and tightening with a nut.

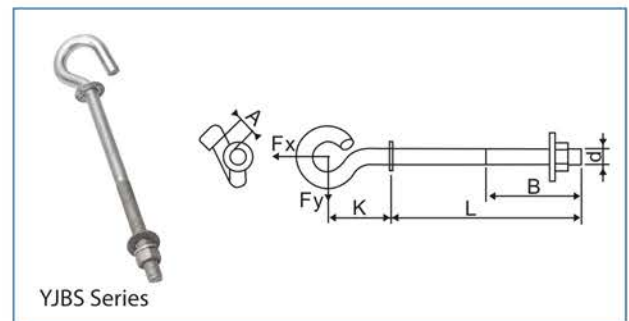


Item No.	Dimension(mm)					Breaking Load	
	D	L	B	A	K	F _x ,kN	F _y ,kN
YJBH 12/200	M12	200	120	18	60	4.8	1.5
YJBH 12/240	M12	240	120	18	60	4.8	1.5
YJBH 16/200	M16	200	120	18	70	9.6	2.4
YJBH 16/240	M16	240	120	18	70	9.6	2.4
YJBH 16/320	M16	320	120	18	70	9.6	2.4

Hot Dip Galvanized Steel Hook YJBS Series

YJBS series hot dip galvanized steel hooks are used on wooden, concrete and other power poles for receiving ABC across dead end clamps and suspension clamps.

- Its installation is easy, by pushing it through a hole and tightening with a nut.

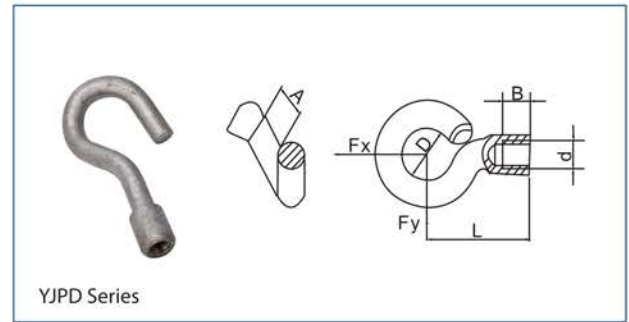


Item No.	Dimension(mm)					Breaking Load	
	D	L	B	A	K	F _x ,kN	F _y ,kN
YJBS 16/200	M16	200	120	20	80	11.9	2.4
YJBS 16/240	M16	240	120	20	80	11.9	2.4
YJBS 16/320	M16	320	120	20	80	11.9	2.4
YJBS 20/200	M20	200	120	20	80	14.5	4.6
YJBS 20/240	M20	240	120	20	80	14.5	4.6
YJBS 20/320	M20	320	120	20	80	14.5	4.6
YJBS 20/350	M20	350	120	20	80	14.5	4.6

Nut Hook YJPD Series

YJPD series nut hooks are designed for insulated aerial cables or service cables.

- It is made of hot-dip galvanized steel.

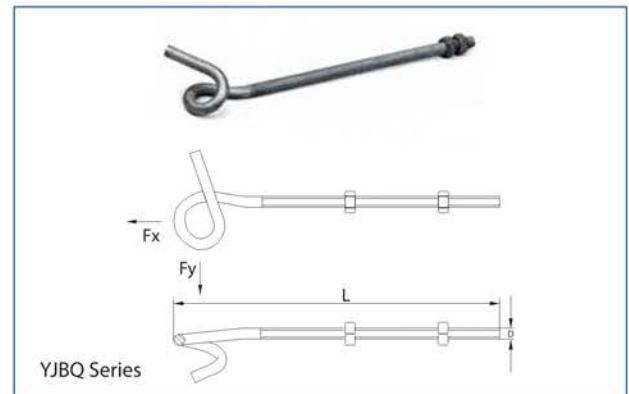


Item No.	Dimension(mm)					Breaking Load		
	d	D	L	B	A	F _x ,kN	F _y ,kN	Bec.r
YJPD16	M16	38	76	18	20	15.4	2	440
YJPD20	M20	38	76	18	20	15.4	4	550

Pigtail Bolt YJBQ Series

YJBQC series pigtail bolts are used on wooden, concrete and other power poles for receiving ABC across dead end clamps and suspension clamps.

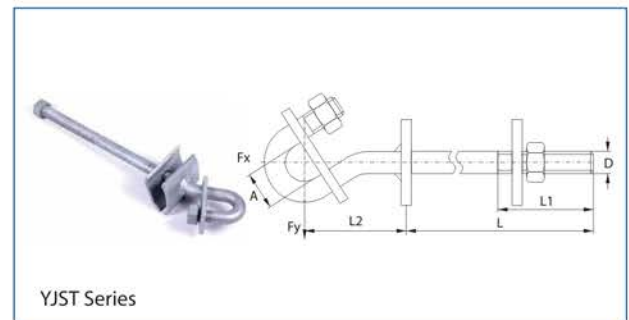
- Middle point can be adjusted by 2 free nuts.
- Its installation is easy, by pushing it through a hole and tightening with a nut.



Item No.	Dimension(mm)			Breaking Load	
	L	C	D	F _x ,kN	F _y ,kN
YJBQ 12-55	115	45	M12	2	0.4
YJBQ 12-250	310	220	M12	2	0.4
YJBQ 12-300	360	270	M12	2	0.4

Hot Dip Galvanized Steel Hook YJST101.1 And YJST101.2

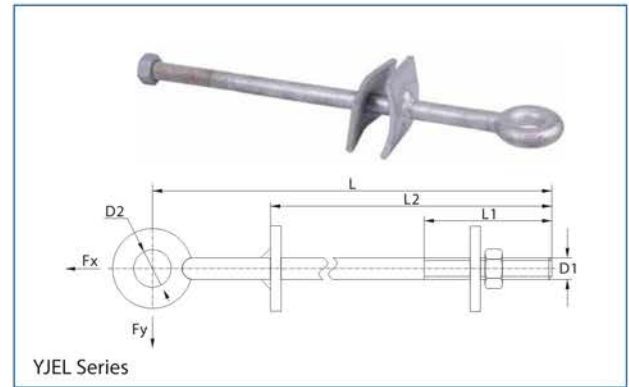
YJST101.1 and YJST101.2 hot dip galvanized steel hooks are made of hot-dip galvanized steel.



Item No.	Dimension(mm)					Breaking Load	
	D	L	L1	A	K	F _x ,kN	F _y ,kN
YJST101.1	M20	243	110	24	77	30.6	6.7
YJST101.2	M20	303	140	24	77	30.6	6.7

Hot Dip Galvanized Steel Eye Bolt YJEL Series

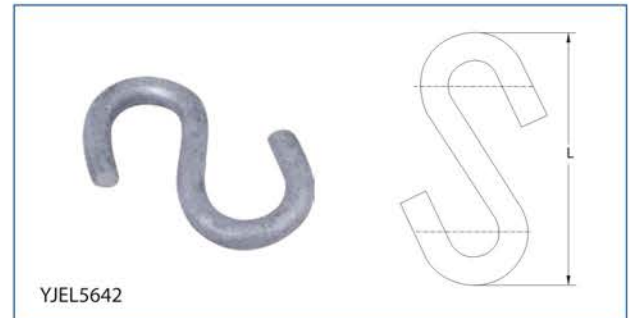
YJES series hot dip galvanized steel eye bolts are made of hot-dip galvanized steel.



Item No.	Dimension(mm)					Breaking Load	
	L1	L2	L	D1	D2	F _x ,kN	F _y ,kN
YJEL 5561	80	240	290	M16	22	39.2	6.8
YJEL 5562	80	240	340	M16	22	39.2	5
YJEL 5574	100	300	400	M20	22	39.2	10

Link Hook YJEL5642

HEL5642 link hook is used as hangers between the pole support fitting and the dead end clamp or suspension clamp in areas where damage to the LV-ABC line could be expected from falling tree.



Item No.	Cross section(mm)	Breaking Load
YJEL5642	90	6

Stainless Steel Strap

Stainless steel strap is designed to attach suspension bracket and dead end bracelet to the poles.

- The material of straps can be 201 or 304 stainless steel.



Item No.	Width(mm)	Thickness(mm)	Length(m)
YJCF 10A	10	0.4	25/50
YJCF 10B	10	0.7	25/50
YJCF 20A	20	0.4	25/50
YJCF 20B	20	0.7	25/50

Stainless Steel Buckle

Stainless steel buckle is designed to fix the stainless steel strap .

- The material of straps and buckles can be 201 or 304 stainless steel.



Item No.	Length(m)
C-1B	20
C-1S	10
C-2B	20
C-2S	10

Strap And Buckle Crimping Tool

Strap and buckle crimping tool features a spring-loaded gripper lever for more efficient strap handling.

- Cut-off handle is vinyl coated for easier operation.
- Standard blue coating finish provides superior corrosion resistance and enhances life.



Others



Cable roller



Roller PM2



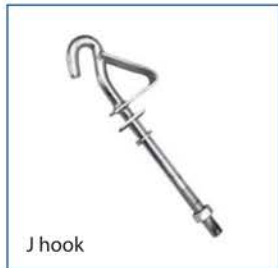
RT-1



RT-5



J hook



J hook



J hook



J hook



Bolt



Stay rod



Stay rod



Eye bolt O



Eye bolt V



Eye bolt H



Eye Nut V



Eye Nut V



Eye bolt A



Eye bolt O



Eye bolt H



Bracket



Yongjiu Electric Power Fitting Co.,Ltd.

Add:Jiaxi Industrial Zone, Liushi Town, Yueqing City, Zhejiang Province, China

Tel:+86-577-61751023 Fax:+86-577-61750003

E-mail:yojiu@yojiu.com Web:www.yojiu.com

Learn More
Information

