

CERTIFICATION



CONTENTS 目录

01/02	—	Bolt Seal
03/06	—	Plastic Seal
07/08	—	Cable Seal
09/10	—	Meter Seal
11/12	—	Padlock Seal
13/14	—	Metal Seal
15/16	—	Animal Ear Tag / Cable Tie
17/18	—	Application



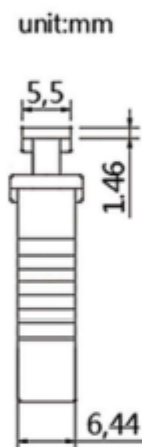
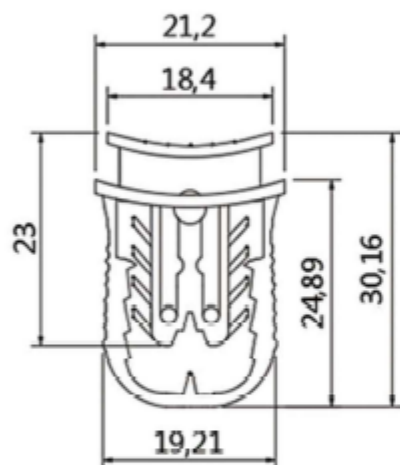
博创锁业
BOCHUANG SEAL

SHANDONG BOCHUANG SEAL CO.,LTD

Meter Seal



Number: BC-M102
 wire diameter: 0.68mm
 Material: PC+ABS
 Color: red, yellow, orange, blue, green and so on
 Laser printing : numbers, letters, mark, bar codes
 Application: electric meter, water meter, gas tank, container, postal



unit:mm

