

OFFICIAL

|   |                 |                  |                  |                             |
|---|-----------------|------------------|------------------|-----------------------------|
| Title: PRECONNECTED HAEMO HC DP03HC W D/BAG |                 | Pack #: CX-FHC05 | Rev: 2           | Sheet #: 2/2                |
| Original Drawn By: NGB                      | Date: 9-13-2022 | Checked By: DBZ  | Date: 04-28-2023 | Revised By: Date: - - - - - |

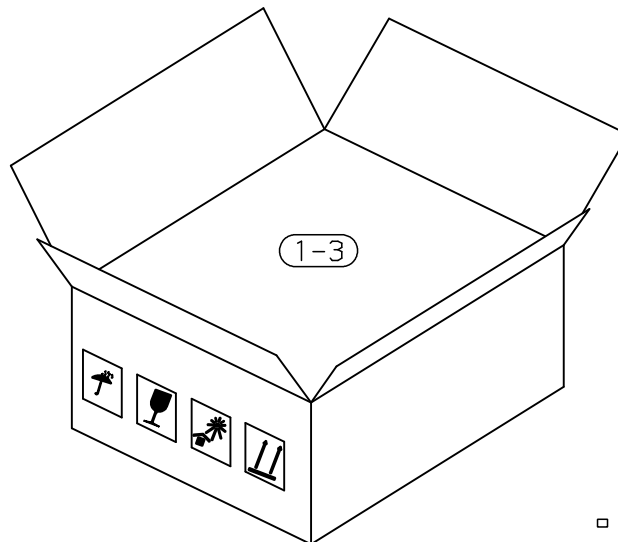
**REVISIONS**

- REV. LC9 07/08/20  
1.)UPDATED PACKAGING FOR HC GAS POUCH
- REV. LC9 17/01/21  
1.)UPDATED GAS POUCH ON PACKAGING PAGE
- REV.2 NGB 13/09/22  
1.)UPDATED GAS POUCH ON PACKAGING PAGE

**PACKAGING**

□ 0.2 EACH HC INTERLEAVE HORIZONTAL  
080895

**PLACE 1 PAD ON THE BOTTOM ON THE BOX  
AND THE OTHER ON THE TOP ON THE BOX**



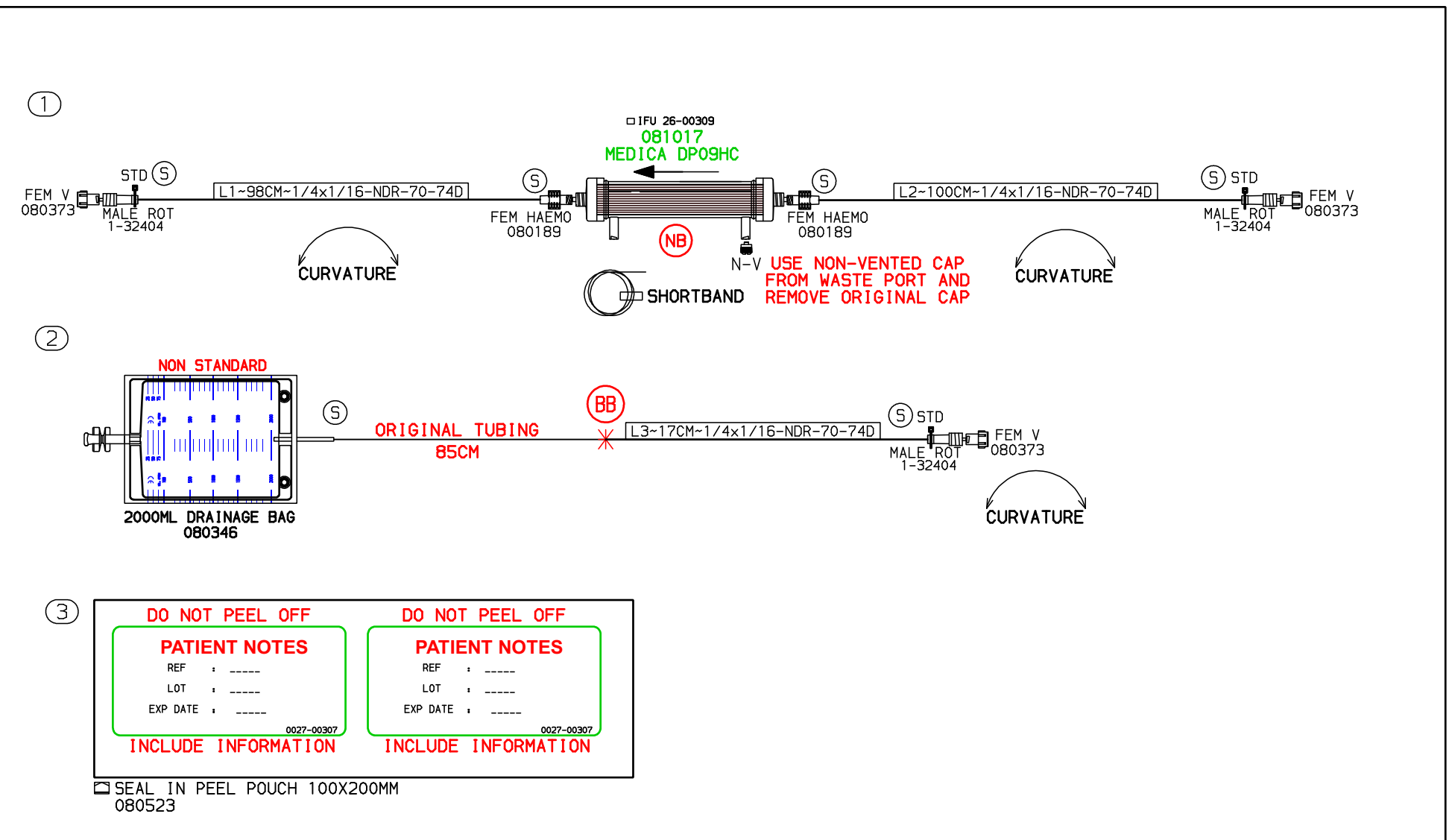
□ IFU'S REQUIRED FOR THIS PACK

□ KIT IFU 26-00300

**HAEMOCONCENTRATOR  
PAEDIATRIC TL**  
0027-00492  
**ADD LABEL ON BOX**

BOX 430X390X290  
080893  
10 EACH PER BOX

**OFFICIAL**



☑ SEAL IN GAS POUCH 406X572X165MM 080481

OFFICIAL

Title: PRE-CONNECTED ADULT HC DP09HC W D/BAG

Pack #: CX-FHC17

Rev: 2

Sheet #: 2/2

Original Drawn By: NGB  
Date: 9-13-2022Checked By: DBZ  
Date: 05-24-2023Revised By: \_\_\_\_\_  
Date: - - - - -**REVISIONS**

REV. SC6 22/05/17

1.) TERUMO STANDARD BASED ON DB447 / DEHP FREE PACK

REV. LC9 08/01/21

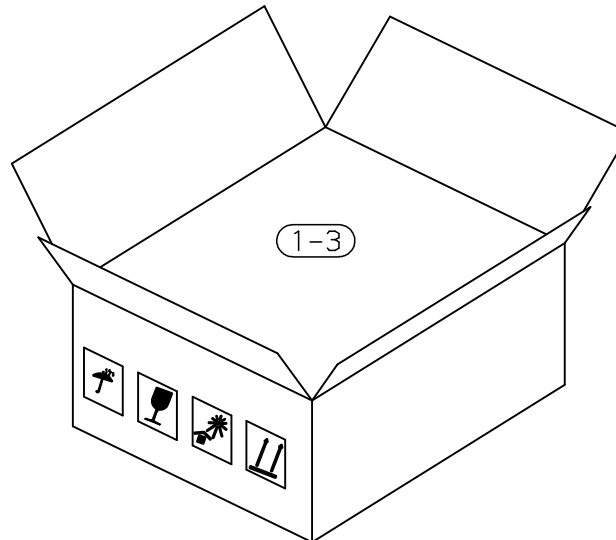
1.) CHANGED THE PACKAGING TO HC POUCH 81163

REV. LC9 18/01/21

1.) CHANGED POUCH ON PACKAGING PAGE

REV. 2 NGB 13/09/22

1.) TCV-CR TRANSFER

**PACKAGING**□ 0.2 EACH HC INTERLEAVE HORIZONTAL  
080895**PLACE 1 PAD ON THE BOTTON ON THE BOX  
AND THE OTHER ON THE TOP ON THE BOX****IFU'S REQUIRED  
FOR THIS PACK****HAEMOCONCENTRATOR  
ADULT TL  
0027-00488  
ADD LABEL ON BOX**

□ KIT IFU 26-00300

BOX 430X390X290  
080893  
10 EACH PER BOX**OFFICIAL**