

Product Specification

Product Name: Glock 17/19 Duty Holster

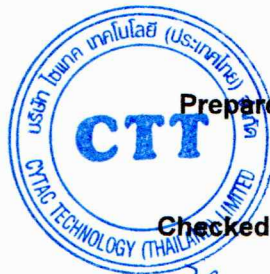
Product Model: 1-D3G1700

File No.: QR-SD-01

Effective Date: 2018-07-17

Version: A

CONTROLLED DOCUMENT



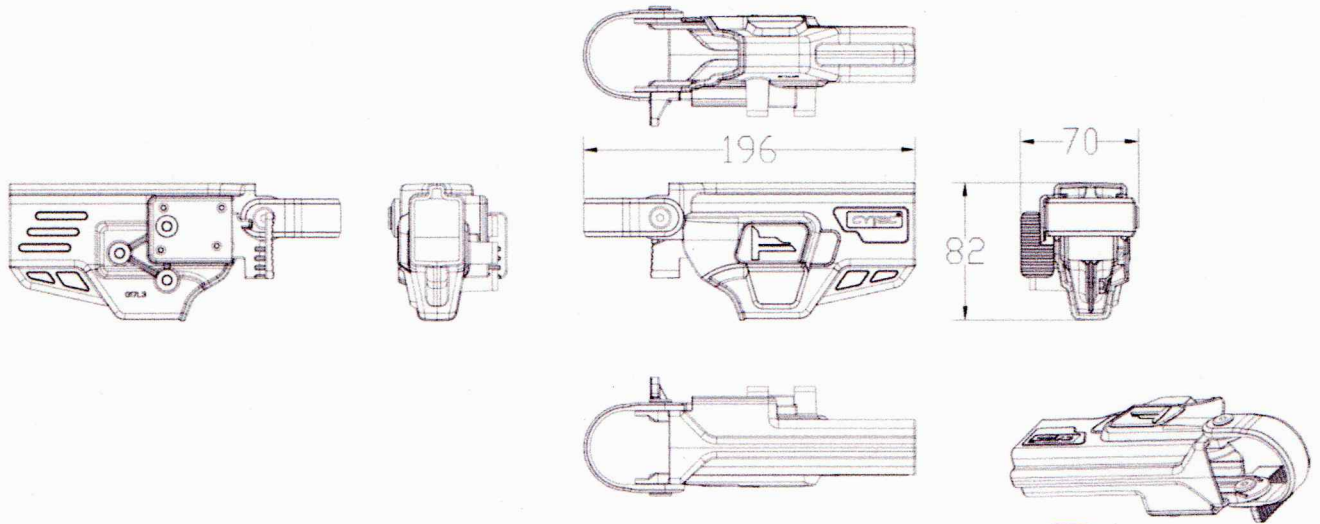
Prepared by: Jie Chen

Checked by: Alien Feng

Audited by: Wang

Product Specification			File No: QR-SD-01
			Version: A
Name: Glock 17 / 19 Duty Holster	Model: 1-D3G1700	Specification: L196*W70*H82mm	Effective Date 2018-07-17

1. Product Show
CONFIGURATION DRAWING



Product Specification			File No: QR-SD-01
			Version: A
Name: Glock 17/19 Duty Holster	Model : 1-D3G1700	Specification L196*W70*H82mm	Effective Date 2018-07-17

2. Features

No.	Description	Note
1	Designed for specific use for Fits Glock 17/19(Gen 1,2,3,4, 5) Pistol	
3	Retention System	Level III
4	Black Color(Standard), available in OD Green, FDE	
6	Made of high-tech polymer, which is lightweight, durable, anti-impact, anti-corrosion, and wear-resistant.	
7	Pistol is locked automatically once it' s holstered. The Holster and its retention system allow for quick, easy and smooth re-holstering of the Pistol.	
8	Slightly depress the release button by index finger with a natural grip to draw out the pistol smoothly and quickly.	
9	The Holster is able to house the pistol snugly without much rattling. Firm lock system protect the pistol from falling, being snatched or stolen.	
10	The open area of the trigger guard and trigger remain fully protected and covered so that when holstered, accidental contact with the trigger is impossible.	
11	Holster support has different carry way from Cytac, Low ride belt loop and Drop Leg Platform.	Low ride belt loop (Standard version)
12	Holster compatible with red dot?	No
13	Right Handed	
14	Package including 1*holster, 1*allen key, 1*instructions	Allen Key: M4

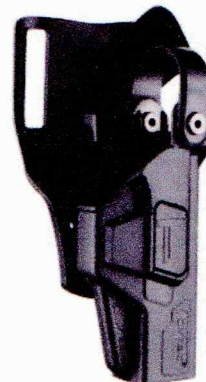


Product Specification			File No:QR-SD-01
			Version:A
Name: Glock 17/19 Duty Holster	Model:1-D3G1700	Specification L196*W70*H82mm	Effective Date 2018-07-17

3. Holster Mounting Options

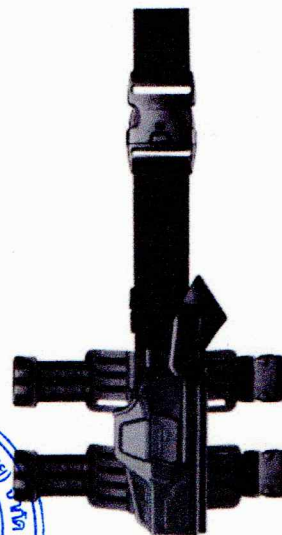
3.1 Low Ride Belt Loop(Standard version)

- 3.1.1 Material: Polymer
- 3.1.2 Training, On-duty, combat or competition use
- 3.1.3 Matches belts of different widths, belt widths up to 2.5 inches.
- 3.1.4 Color: Black(standard), available in OD Green, FDE



3.2 Drop leg Platform- Full size (Selective Purchasing, not included)

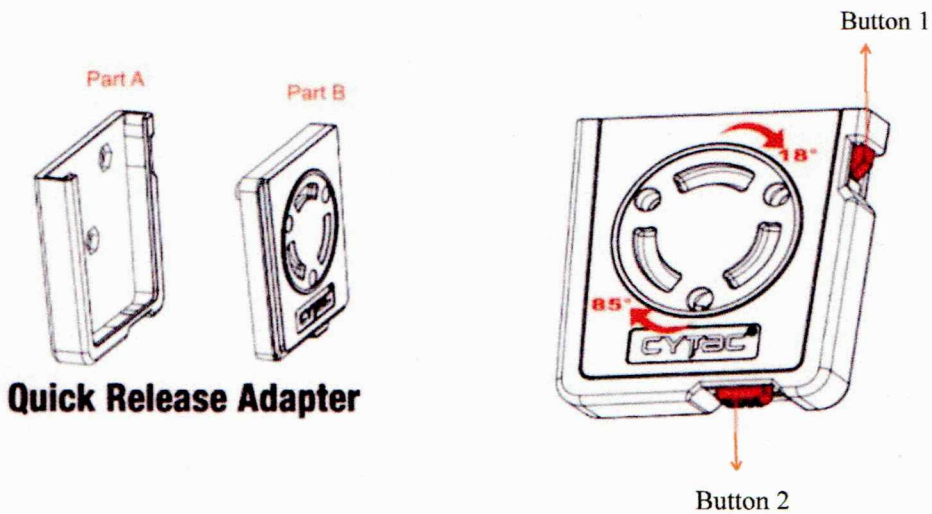
- 3.2.1 Material: Polymer with Nylon
- 3.2.2 Thigh rig it's a common tactical gear for law enforcement officers, SWAT etc.
- 3.2.3 Training, On-duty, combat or competition use
- 3.2.4 Color: Black(standard), available in OD Green, FDE



Product Specification			File No:QR-SD-01
			Version:A
Name Glock 17 /19 Duty Holster	Model 1-D3G1700	Specification L196*W70*H82mm	Effective Date 2018-07-17

4. Modular Quick Release Adapter (Selective Purchasing, not included)

Item No.	1-A1QRTL0
Size	77.5*73.3*18.8mm
Screw	TM5*12*D9mm
Weight	95.6 g
Material	Grade Polymer



4.1 Quick Shifting Gear to Multi-mission

4.1.1 Set up the gear in seconds before each usage, including rescue, on-duty, etc.

4.2 How to attach quick release adapter between the belt loop and the holster?

- 4.2.1. Connect the belt loop and part A with screws; connect the holster body and the part B with screws.
- 4.2.2. Press button 2 and rotate the holster body. (swing range: 18° -85° leftward or rightward)
- 4.2.3. Slide the part B into part A.

4.3 How to quickly release the holster?

- 4.3.1. Press button 1 with index finger.
- 4.3.2. Pull out the holster for quick release

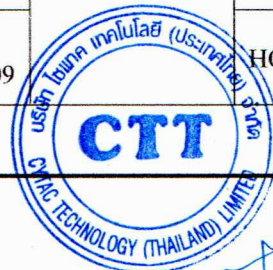




Product Specification			File No:QR-SD-01
			Version:A
Name Glock 17 /19 Duty Holster	Model 1-D3G1700	Specification L196*W70*H82mm	Effective Date 2018-07-17

5. Quality Control

Features	Subject	Test Standards/Conditions	Reference Standard	Criteria	Test Item	Instrument
Environmental Testing	High Temperature Oven	Leave the product to high Temperature from 70°C to 80°C in 16 hours	GB/T 2424.1-2015	Burning resistance Deformation resistance	Holster	Drying Cabinet
	Low Temperature Oven	Leave the product to low temperature to -25°C ± 3 in 24 hours	GB/T 2424.1-2015	No cracking, No deformation	Holster	Cryogenic Box
Physical Characteristics	Tensile Test	Pulling Force of Fabric Product Belt: 500N Pistol Lanyard: 300N	GB/T 3923.1-1997	No cracking	Fabric	Tensile Testing Machine
		Pulling Force of Holster Release button: 100N TQR Quick Release adapter: 1000N MOLLE Attachment TMA/RMA:200N	GB T 1040.1-2006	No cracking	Holster	
		Pulling Force of Metal parts Metal Hook: 200 N Metal Clip: 200 N	GB/T 228.1-2010	No cracking	Holster	
	Adhesive Force	3M adhesive tape	GB/T 9286-1998	No Shedding	Holster	3M Tape Cross-Cut Tester
	Salt Spray Test	PH=6.8-7.2 Pressure pot Temperature 47°C Pressure 1.0p	GJB 150.11A-2009	Salt Spray-Level 9	METAL Parts	Salt Spray Tester
	Lock System Functioning Test	Release button repeatedly press for at least 100,000-150,000 times in common circumstance	WQA9152-- Reliability Test Items for Vetch Europe Products	No cracking No Shedding	Spring Shell Splinter	Lifetime Tester
	1.5M Six Sided Drop test	Holster's six side, dropping the each side from 1.5M height freely on the cement flooring	GB/T 2423.8		HOLSTER	Drop Test Desk
	Load-Bearing test	The adults (weight ≥ 120Kg / 264lbs) step on the product by 1min	GJB 150.11A-2009		HOLSTER	Manual Testing



Handwritten signature and date: 7/23

Product Specification			File No: QR-SD-01
			Version: A
Name Glock 17/19 Duty Holster	Model 1-D3G1700	Specification L196*W70*H82mm	Effective Date 2018-07-17

Physical Characteristics	Strength Intensity Test	Test the percussive force by more than 25kg hammer tool, total 5 times	GB/T 2423.5-1995	No cracking No Shedding	Holster	Hammer
	Sand-Proof Test	Bury the sample in the sand. Take it out and instantly test holster function	GB/T 2423.37-2006	Keep in functions	Holster	Sands Container
Appearance Inspection	Appearance Inspect	*No color difference, parti-color, impurities on the surface; no rag scrape the hand; *Product should be clean, no scratch or damage on the surface; *Complete Components; *No deformation & shrink in the injection part; *All parts assembly in required places, screws be fastened as required. No loose screws; *Check the fitness of circular tooth gear;	CYTAC Inspection standards	Meet test standard	Holster	Visual

6. Packing Standard

- 6.1 All products must pass the DROP TEST;
- 6.2 Packing details please refer to the <Packing Instruction>.
- 6.3 Carton Size: 62*57*38CM
- 6.4 Qty per Carton: 50pcs
- 6.5 Total Weight: 15kgs/carton

