



VSC SERIES 50 Hz

SS Cast Submersible Pump 8" / 10"



INDEX

Overview SS Cast VSC Submersible Pumps	2
Applications	2
Features	2
Specification	2
Options	2
Pump Identification Code.....	3
VSC SERIES 8"	4
Family Curves VSC 114 - 132 - 156	4
Hydraulic Performance table at 50 Hz - VSC 114	4
Hydraulic Performance table at 50 Hz - VSC 132.....	5
Hydraulic Performance table at 50 Hz - VSC 156.....	5
Technical Data - VSC 114.....	6
Hydraulic performance curve at 50 Hz - VSC 114.....	7
Technical Data - VSC 132.....	8
Hydraulic performance curve at 50 Hz - VSC 132	9
Technical Data - VSC 156.....	10
Hydraulic performance curve at 50 Hz - VSC 156.....	11
VSC SERIES 10"	12
Family Curves VSC 204 - 264 - 304.....	12
Hydraulic Performance table at 50 Hz - VSC 204	13
Hydraulic Performance table at 50 Hz - VSC 264.....	13
Hydraulic Performance table at 50 Hz - VSC 304.....	13
Technical Data - VSC 204.....	14
Hydraulic performance curve at 50 Hz - VSC 204.....	15
Technical Data - VSC 264.....	16
Hydraulic performance curve at 50 Hz - VSC 264	17
Technical Data - VSC 304.....	18
Hydraulic performance curve at 50 Hz - VSC 304.....	19
Materials / Fluids Compatibility	20
VSC 114 / 132 / 156.....	20
VSC 204 / 264 / 304.....	21

NOTE: Franklin Electric S.r.l. reserves the right to amend specification without prior notice

For the most up-to-date product information, visit franklinwater.eu.

OVERVIEW SS CAST VSC SUBMERSIBLE PUMPS

APPLICATIONS

- Municipal water works
- Water distribution and pressure boosting
- Irrigation and sprinkler systems, water treatment plants, filtration and reverse osmosis
- Industrial cooling and processing
- Mining industry, drainage and dewatering
- Fire-fighting equipment
- Fountains
- Petrochemistry, Offshore
- General Industry

FEATURES

- 8": VSC 114 - 132 - 156
- 10": VSC 204 - 264 - 304
- Cast Stainless Steel impellers and diffusers for high corrosion and abrasion resistance
- Robust, compact and reliable design
- Built-in check valve to protect the pump against water hammer
- The hydraulic design is such to enhance the overall efficiency thus reducing energy consumption and making the pumping systems more cost effective

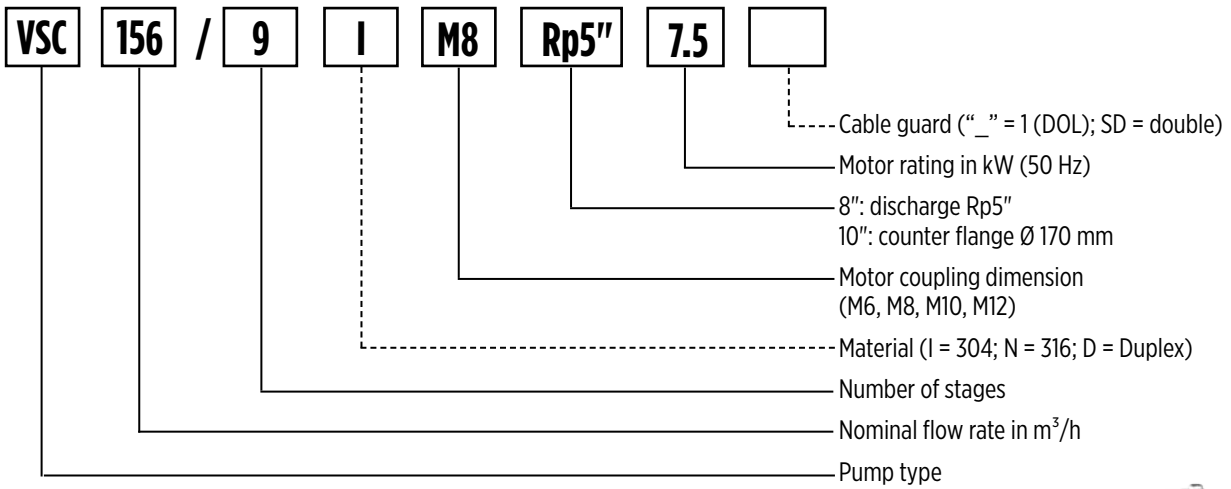
SPECIFICATION

- Flow:
 - 8": up to 192 m³/h at 50 Hz
 - 10": up to 348 m³/h at 50 Hz
- Head:
 - 8": up to 473 m at 50 Hz
 - 10": up to 484 m at 50 Hz
- Maximum allowable amount of sand: 100 g/m³
- Water temperature: from -5 °C to +60 °C
- Rotation: counter clockwise when looking into the discharge
- Operation in vertical or horizontal position
- The hydraulic characteristics are guaranteed, according to ISO standard 9906:2012, grade 3B

OPTIONS

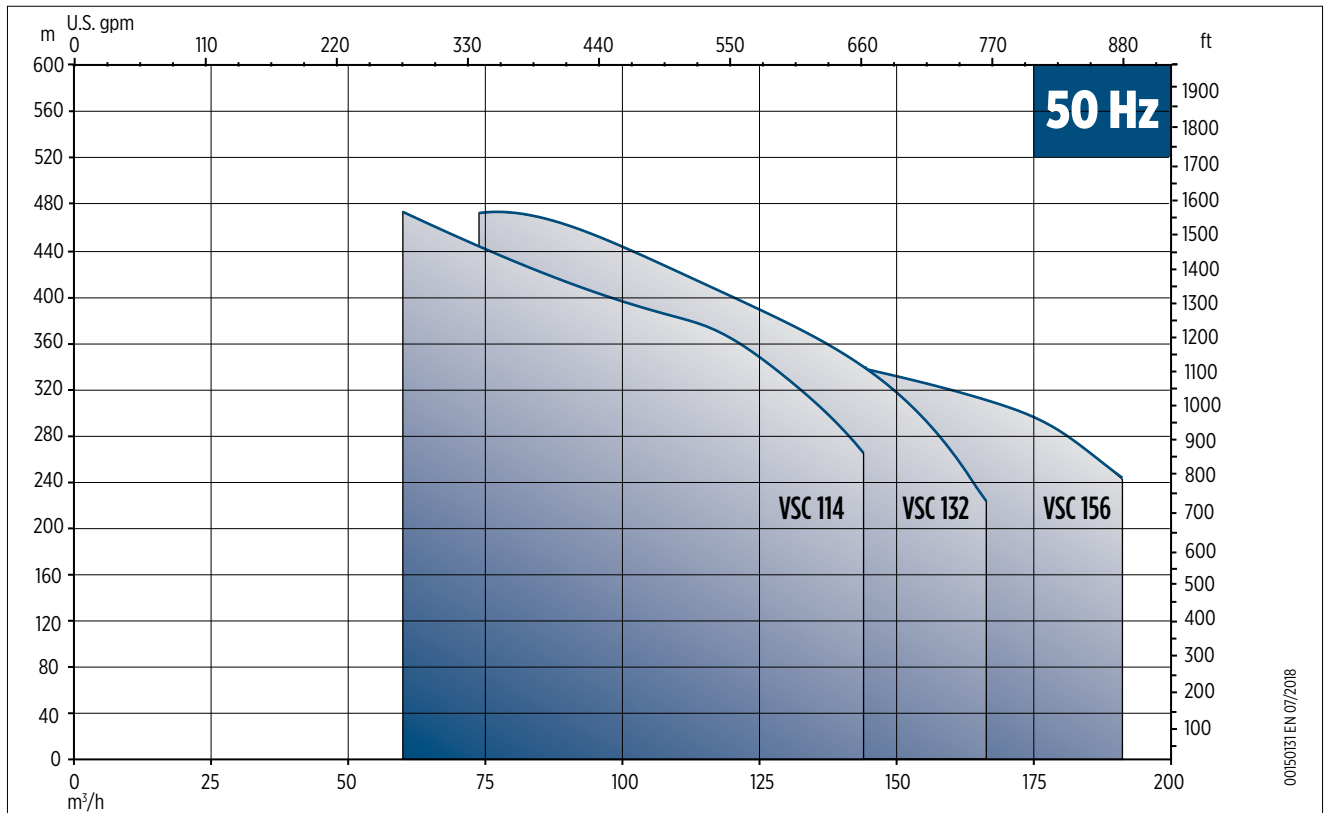
- YΔ version with second cable guard
- 316 SS & Duplex version
- discharge:
 - 8": Rp5"
 - 10": counter flange (Rp6" as of Q4/2018)
- 10" counter flange (order no. 14262101)
- Other flows

PUMP IDENTIFICATION CODE



VSC SERIES 8"

FAMILY CURVES VSC 114 - 132 - 156



00150151EN 07/2018

HYDRAULIC PERFORMANCE TABLE AT 50 HZ - VSC 114

Pump Type	Rated Power		Q = DELIVERY								
			m³/h 0	60	72	84	96	108	120	132	144
	[kW]	[HP]	l/min 0	1000	1200	1400	1600	1800	2000	2200	2400
H = TOTAL HEAD METERS COLUMN OF WATER [m]											
VSC114/1	7.5	10	28	23	22	21	20	19	17	15	13
VSC114/2	15	20	55	45	44	42	41	38	34	30	25
VSC114/3	22	30	83	68	65	63	61	57	51	45	38
VSC114/4	30	40	110	90	87	84	81	76	68	60	50
VSC114/5	37	50	138	113	109	105	102	95	86	76	63
VSC114/6	45	60	165	135	131	126	122	114	103	91	75
VSC114/7	52	70	193	158	152	147	142	133	120	106	88
VSC114/8	60	80	220	180	174	168	162	152	137	121	100
VSC114/9	67	90	248	203	196	189	183	171	154	136	113
VSC114/10	75	100	275	225	218	210	203	190	171	151	125
VSC114/11	83	110	303	248	239	231	223	209	188	166	138
VSC114/12	93	125	330	270	261	252	244	228	205	181	150
VSC114/13	93	125	358	293	283	273	264	247	222	196	163
VSC114/14	110	150	385	315	305	294	284	266	240	212	175
VSC114/15	110	150	413	338	327	315	305	285	257	227	188
VSC114/16	130	174	440	360	348	336	325	304	274	242	200
VSC114/17	130	174	468	383	370	357	345	323	291	257	213
VSC114/18	130	174	495	405	392	378	365	342	308	272	225
VSC114/19	150	200	523	428	414	399	386	361	325	287	238
VSC114/20	150	200	550	450	435	420	406	380	342	302	250
VSC114/21	150	200	578	473	457	441	426	399	359	317	263



HYDRAULIC PERFORMANCE TABLE AT 50 HZ - VSC 132

Pump Type	Rated Power		Q = DELIVER									
			m ³ /h 0	72	84	96	108	120	132	144	156	168
	[kW]	[HP]	l/min 0	1200	1400	1600	1800	2000	2200	2400	2600	2800
H = TOTAL HEAD METERS COLUMN OF WATER [m]												
VSC132/1	9.3	12.5	26	23	21	21	20	19	17	16	13	11
VSC132/2	18.5	25	52	45	43	41	40	37	35	31	27	21
VSC132/3	26	35	78	68	64	62	59	56	52	47	40	32
VSC132/4	37	50	104	90	85	82	79	74	69	62	53	42
VSC132/5	45	60	130	113	107	103	99	93	86	78	67	53
VSC132/6	52	70	156	135	128	124	119	112	104	94	80	64
VSC132/7	55	75	182	158	150	144	138	130	121	109	94	74
VSC132/8	67	90	208	180	171	165	158	149	138	125	107	85
VSC132/9	75	100	234	203	192	186	178	168	155	141	120	95
VSC132/10	83	110	260	225	214	206	198	186	173	156	134	106
VSC132/11	93	125	286	248	235	227	217	205	190	172	147	117
VSC132/12	110	150	312	270	256	247	237	223	207	187	160	127
VSC132/13	110	150	338	293	278	268	257	242	224	203	174	138
VSC132/14	110	150	364	315	299	289	277	261	242	219	187	148
VSC132/15	130	174	390	338	321	309	296	279	259	234	201	159
VSC132/16	130	174	416	360	342	330	316	298	276	250	214	170
VSC132/17	150	200	442	383	363	351	336	317	293	266	227	180
VSC132/18	150	200	468	405	385	371	356	335	311	281	241	191
VSC132/19	150	200	494	428	406	392	375	354	328	297	254	201
VSC132/20	185	250	520	450	427	412	395	372	345	312	267	212
VSC132/21	185	250	546	473	449	433	415	391	362	328	281	223

HYDRAULIC PERFORMANCE TABLE AT 50 HZ - VSC 156

Pump Type	Rated Power		Q = DELIVERY									
			m ³ /h 0	96	108	120	132	144	156	168	180	192
	[kW]	[HP]	l/min 0	1600	1800	2000	2200	2400	2600	2800	3000	3200
H = TOTAL HEAD METERS COLUMN OF WATER [m]												
VSC156/1	9.3	12.5	25	20	19	19	18	17	17	16	14	12
VSC156/2	18.5	25	50	40	39	38	36	35	33	31	28	24
VSC156/3	26	35	75	60	58	56	54	52	50	47	41	36
VSC156/4	37	50	100	80	77	75	72	70	66	62	55	48
VSC156/5	45	60	125	100	97	94	91	87	83	78	69	61
VSC156/6	55	75	150	119	116	113	109	104	100	93	83	73
VSC156/7	67	91	175	139	135	132	127	122	116	109	97	85
VSC156/8	75	100	200	159	154	150	145	139	133	124	110	97
VSC156/9	83	110	225	179	174	169	163	157	149	140	124	109
VSC156/10	93	125	250	199	193	188	181	174	166	155	138	121
VSC156/11	110	150	275	219	212	207	199	191	183	171	152	133
VSC156/12	110	150	300	239	232	226	217	209	199	186	166	145
VSC156/13	130	174	325	259	251	244	235	226	216	202	179	157
VSC156/14	130	174	350	279	270	263	253	244	232	217	193	169
VSC156/15	130	174	375	299	290	282	272	261	249	233	207	182
VSC156/16	150	200	400	318	309	301	290	278	266	248	221	194
VSC156/17	150	200	425	338	328	320	308	296	282	264	235	206
VSC156/18	185	250	450	358	347	338	326	313	299	279	248	218
VSC156/19	185	250	475	378	367	357	344	331	315	295	262	230
VSC156/20	185	250	500	398	386	376	362	348	332	310	276	242

TECHNICAL DATA - VSC 114

WITH ENCAPSULATED MOTOR

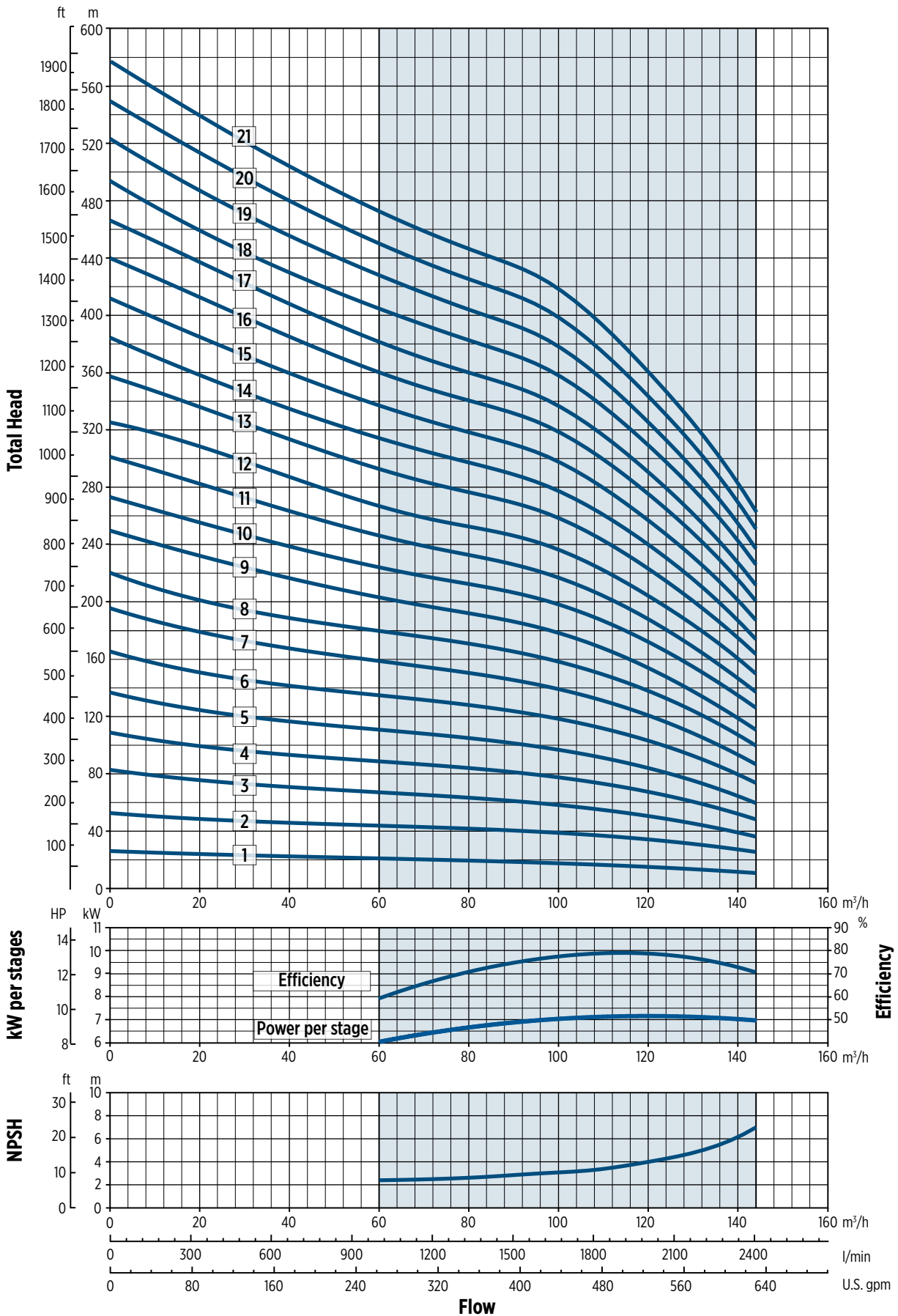
Pump model type	Motor		Dimensions [mm]					Weight [kg]		
	[kW]	[HP]	Size	∅	L1	L2	Lt	Pump	Motor	Electro Pump
VSC114/1	7.5	10	M6	136.5	444	646.2	1090	20	49	69
VSC114/2	15	20	M6	136.5	568	776.2	1344	27	61	88
VSC114/3	22	30	M6	136.5	692	906.5	1599	33	73	106
VSC114/4	30	40	M6	137	816	1037	1853	40	88	128
VSC114/5	37	50	M6	137	940	1477	2417	47	140	148
VSC114/6	45	60	M6	137	1064	1629	2693	54	156	210
VSC114/7	55	75	M8	190.5	1188	1264	2452	60	227	287
VSC114/8	75	100	M8	190.5	1312	1455	2767	67	265	332
VSC114/9	75	100	M8	190.5	1436	1455	2891	74	265	339
VSC114/10	75	100	M8	190.5	1560	1455	3015	80	265	345
VSC114/11	93	125	M8	190.5	1684	1748	3432	87	318	405
VSC114/12	93	125	M8	190.5	1808	1748	3556	94	318	412
VSC114/13	93	125	M8	190.5	1932	1976	3908	100	381	481
VSC114/14	110	150	M8	190.5	2056	1976	4032	107	381	488
VSC114/15	110	150	M8	190.5	2180	1976	4156	114	381	495
VSC114/16	130	174	M8	190.5	2304	2179	4483	121	420	541
VSC114/17	130	174	M8	190.5	2428	2179	4607	127	420	547
VSC114/18	130	174	M8	190.5	2552	2179	4731	134	420	554
VSC114/19	150	200	M8	190.5	2676	2408	5084	141	494	635
VSC114/20	150	200	M8	190.5	2800	2408	5208	148	494	642
VSC114/21	150	200	M8	190.5	2924	2408	5332	155	494	649

WITH REWINDABLE MOTOR

Pump model type	Motor			Dimensions [mm]				Weight [kg]		
	[kW]	[HP]	Size	∅	L1	L2	Lt	Pump	Motor	Electro pump
VSC114/1	7,5	10	M6	142	444	699	1143	20	45	65
VSC114/2	15	20	M6	142	568	854	1422	27	61	88
VSC114/3	22	30	M6	142	692	989	1681	33	77	110
VSC114/4	30	40	M6	142	816	1194	2010	40	98	138
VSC114/5	37	50	M6	142	940	1274	2214	47	105	152
VSC114/6	45	60	M8	194	1064	1230	2294	54	156	210
VSC114/7	52	70	M8	194	1188	1340	2528	60	179	239
VSC114/8	60	80	M8	194	1312	1470	2782	67	198	265
VSC114/9	67	90	M8	194	1436	1470	2906	74	198	272
VSC114/10	75	100	M8	194	1560	1560	3120	80	215	295
VSC114/11	83	110	M8	194	1684	1740	3424	87	247	334
VSC114/12	93	125	M8	194	1808	1740	3548	94	247	341
VSC114/13	93	125	M8	194	1932	1740	3672	100	247	347
VSC114/14	110	150	M10	235	2056	1529	3585	107	315	422
VSC114/15	110	150	M10	235	2180	1529	3709	114	315	429
VSC114/16	130	174	M10	235	2304	1659	3963	121	362	483
VSC114/17	130	174	M10	235	2428	1659	4087	127	362	489
VSC114/18	130	174	M10	235	2552	1659	4211	134	362	496
VSC114/19	150	200	M10	235	2676	1769	4445	141	413	554
VSC114/20	150	200	M10	235	2800	1769	4569	148	413	561
VSC114/21	150	200	M10	235	2924	1769	4693	155	413	568



HYDRAULIC PERFORMANCE CURVE AT 50 HZ - VSC 114



0020151 EN 07/2018

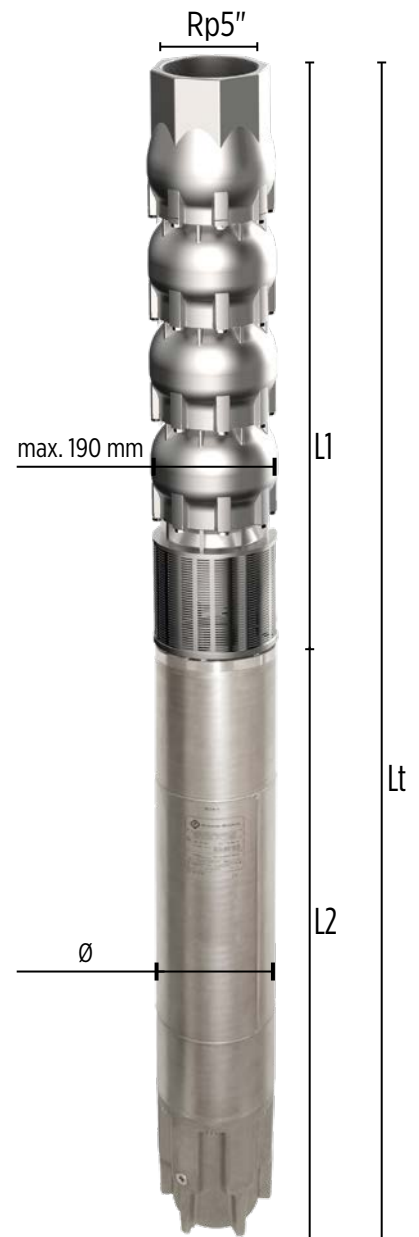
TECHNICAL DATA - VSC 132

WITH ENCAPSULATED MOTOR

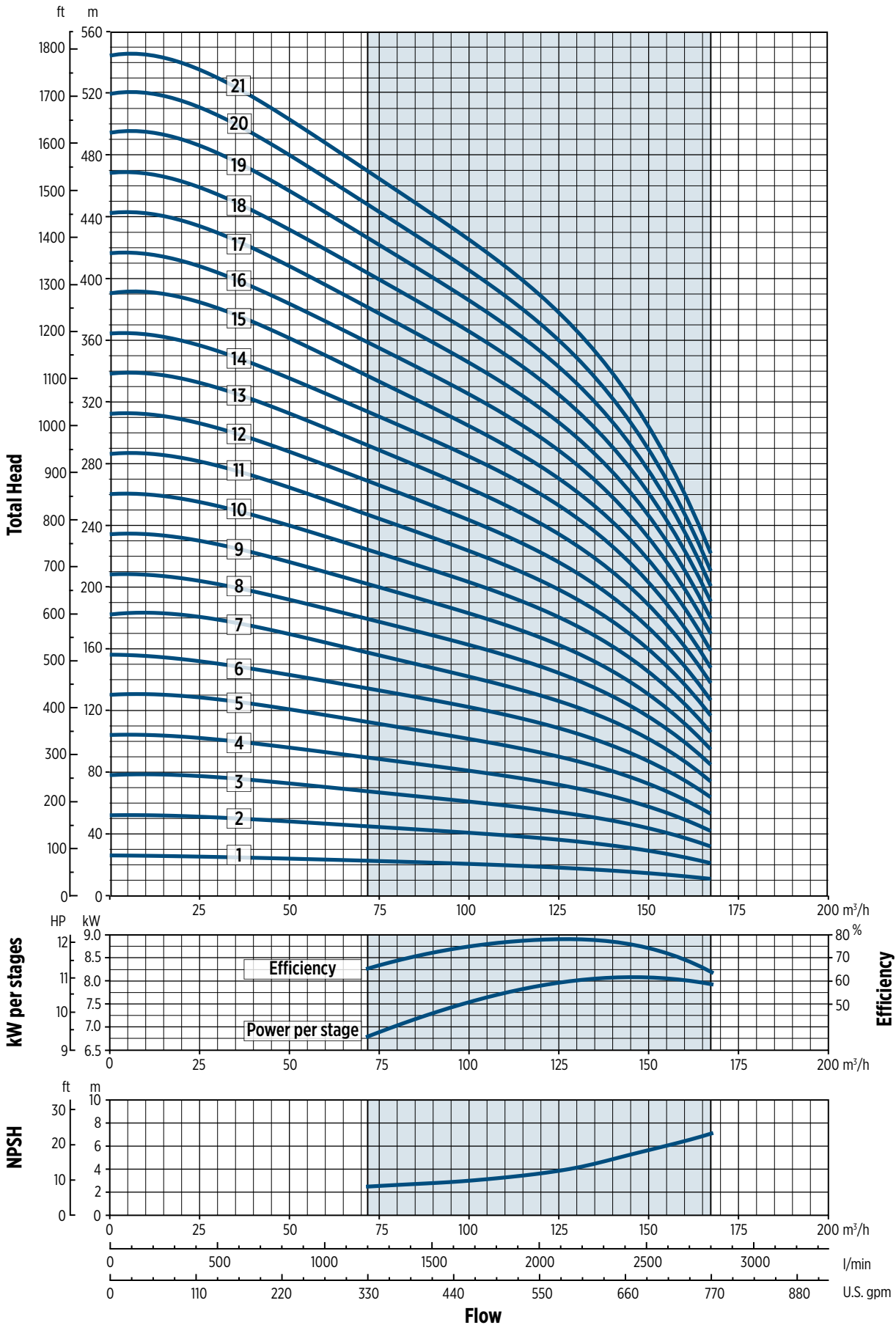
Pump model type	Motor		Dimensions [mm]					Weight [kg]		
	[kW]	[HP]	Size	Ø	L1	L2	Lt	Pump	Motor	Electro Pump
VSC132/1	9.3	12.5	M6	137	454	679	1133	20	52	72
VSC132/2	18.5	25	M6	137	578	842	1420	27	67	94
VSC132/3	30	40	M6	137	702	1037	1739	33	88	121
VSC132/4	37	50	M6	137	826	1477	2303	40	140	180
VSC132/5	45	60	M6	137	950	1630	2580	47	156	203
VSC132/6	55	75	M8	197	1074	1264	2338	54	227	281
VSC132/7	55	75	M8	197	1198	1264	2462	60	227	287
VSC132/8	75	100	M8	197	1322	1455	2777	67	265	332
VSC132/9	75	100	M8	197	1446	1455	2901	74	265	339
VSC132/10	93	125	M8	197	1570	1748	3318	80	318	398
VSC132/11	93	125	M8	197	1694	1748	3442	87	318	405
VSC132/12	110	150	M8	197	1818	1976	3794	94	381	475
VSC132/13	110	150	M8	197	1942	1976	3918	100	381	481
VSC132/14	110	150	M8	197	2066	1976	4042	107	381	488
VSC132/15	130	174	M8	197	2190	2179	4369	114	420	534
VSC132/16	130	174	M8	197	2314	2179	4493	121	420	541
VSC132/17	150	200	M8	197	2438	2408	4846	127	494	621
VSC132/18	150	200	M8	197	2562	2408	4970	134	494	628
VSC132/19	150	200	M8	197	2686	2408	5094	141	494	635

WITH REWINDABLE MOTOR

Pump model type	Motor		Dimensions [mm]					Weight [kg]		
	[kW]	[HP]	Size	Ø	L1	L2	Lt	Pump	Motor	Electro pump
VSC132/1	9.3	12.5	M6	142	454	729	1183	20	49	69
VSC132/2	18.5	25	M6	142	578	899	1477	27	66	93
VSC132/3	26	35	M6	142	702	1094	1796	33	88	121
VSC132/4	37	50	M6	142	826	1274	2100	40	105	145
VSC132/5	45	60	M8	194	950	1230	2180	47	156	203
VSC132/6	52	70	M8	194	1074	1340	2414	54	179	233
VSC132/7	55	75	M8	194	1198	1340	2538	60	179	239
VSC132/8	67	90	M8	194	1322	1470	2792	67	198	265
VSC132/9	75	100	M8	194	1446	1560	3006	74	215	289
VSC132/10	83	110	M8	194	1570	1740	3310	80	247	327
VSC132/11	93	125	M8	194	1694	1740	3434	87	247	334
VSC132/12	110	150	M10	235	1818	1529	3347	94	315	409
VSC132/13	110	150	M10	235	1942	1529	3471	100	315	415
VSC132/14	110	150	M10	235	2066	1529	3595	107	315	422
VSC132/15	130	174	M10	235	2190	1659	3849	114	362	476
VSC132/16	130	174	M10	235	2314	1659	3973	121	362	483
VSC132/17	150	200	M10	235	2438	1769	4207	127	413	540
VSC132/18	150	200	M10	235	2562	1769	4331	134	413	547
VSC132/19	150	200	M10	235	2686	1769	4455	141	413	554
VSC132/20	185	250	M10	235	2810	1919	4729	148	449	597
VSC132/21	185	250	M10	235	2934	1919	4853	155	449	604



HYDRAULIC PERFORMANCE CURVE AT 50 HZ - VSC 132



00120147 EN 07/2018

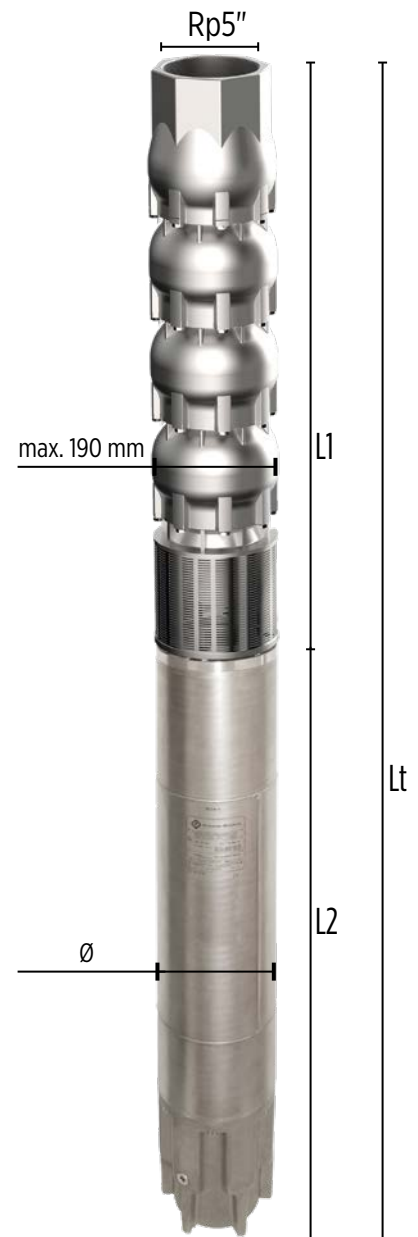
TECHNICAL DATA - VSC 156

WITH ENCAPSULATED MOTOR

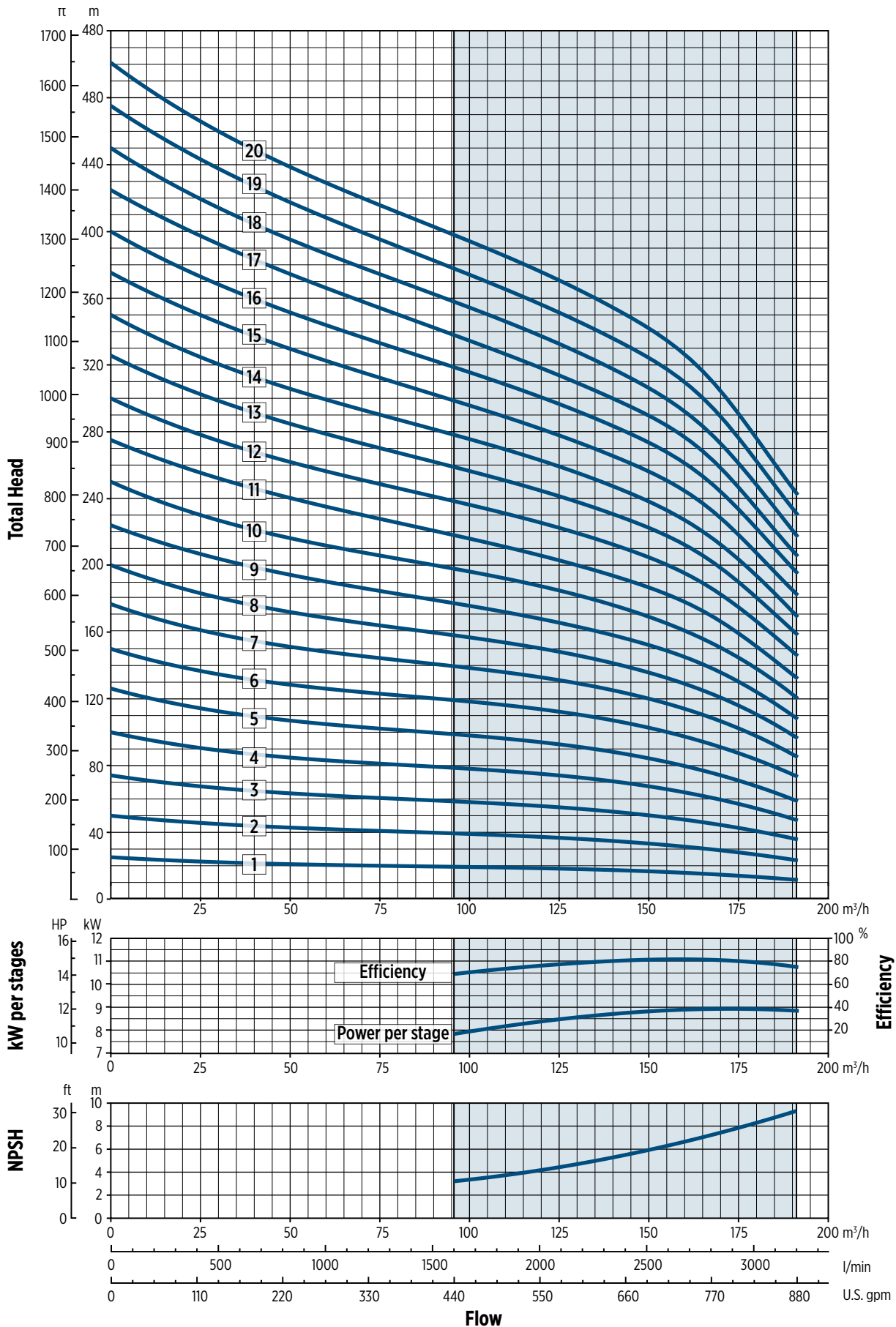
Pump model type	Motor		Dimensions [mm]					Weight [kg]		
	[kW]	[HP]	Size	Ø	L1	L2	Lt	Pump	Motor	Electro Pump
VSC156/1	9.3	12.5	M6	137	480	679	1159	20	52	72
VSC156/2	18.5	25	M6	137	630	842	1472	27	67	94
VSC156/3	30	40	M6	137	780	1037	1817	34	88	122
VSC156/4	37	50	M6	137	930	1477	2407	41	140	181
VSC156/5	45	60	M6	137	1080	1630	2710	48	156	204
VSC156/6	55	75	M8	197	1230	1264	2494	55	227	282
VSC156/7	75	100	M8	197	1380	1455	2835	62	265	327
VSC156/8	75	100	M8	197	1530	1455	2985	69	265	334
VSC156/9	93	125	M8	197	1680	1748	3428	76	318	394
VSC156/10	93	125	M8	197	1830	1748	3578	83	318	401
VSC156/11	110	150	M8	197	1980	1976	3956	90	381	471
VSC156/12	110	150	M8	197	2130	1976	4106	97	381	478
VSC156/13	130	174	M8	197	2280	2179	4459	104	420	524
VSC156/14	130	174	M8	197	2430	2179	4609	111	420	531
VSC156/15	130	174	M8	197	2580	2179	4759	118	420	538
VSC156/16	150	200	M8	197	2730	2408	5138	125	494	619
VSC156/17	150	200	M8	197	2880	2408	5288	132	494	626

WITH REWINDABLE MOTOR

Pump model type	Motor		Dimensions [mm]					Weight [kg]		
	[kW]	[HP]	Size	Ø	L1	L2	Lt	Pump	Motor	Electro pump
VSC156/1	9.3	12.5	M6	142	480	729	1209	20	49	69
VSC156/2	18.5	25	M6	142	630	899	1529	27	66	93
VSC156/3	26	35	M6	142	780	1094	1874	34	88	122
VSC156/4	37	50	M6	142	930	1274	2204	41	105	146
VSC156/5	45	60	M8	194	1080	1230	2310	48	156	204
VSC156/6	55	75	M8	194	1230	1340	2570	55	179	234
VSC156/7	67	90	M8	194	1380	1470	2850	62	198	260
VSC156/8	75	100	M8	194	1530	1560	3090	69	215	284
VSC156/9	83	110	M8	194	1680	1740	3420	76	247	323
VSC156/10	93	125	M8	194	1830	1740	3570	83	247	330
VSC156/11	110	150	M10	235	1980	1529	3509	90	315	405
VSC156/12	110	150	M10	235	2130	1529	3659	97	315	412
VSC156/13	130	174	M10	235	2280	1659	3939	104	362	466
VSC156/14	130	174	M10	235	2430	1659	4089	111	362	473
VSC156/15	130	174	M10	235	2580	1659	4239	118	362	480
VSC156/16	150	200	M10	235	2730	1769	4499	125	413	538
VSC156/17	150	200	M10	235	2880	1769	4649	132	413	545
VSC156/18	185	250	M10	235	3030	1919	4949	139	449	588
VSC156/19	185	250	M10	235	3180	1919	5099	146	449	595
VSC156/20	185	250	M10	235	3330	1919	5249	153	449	602



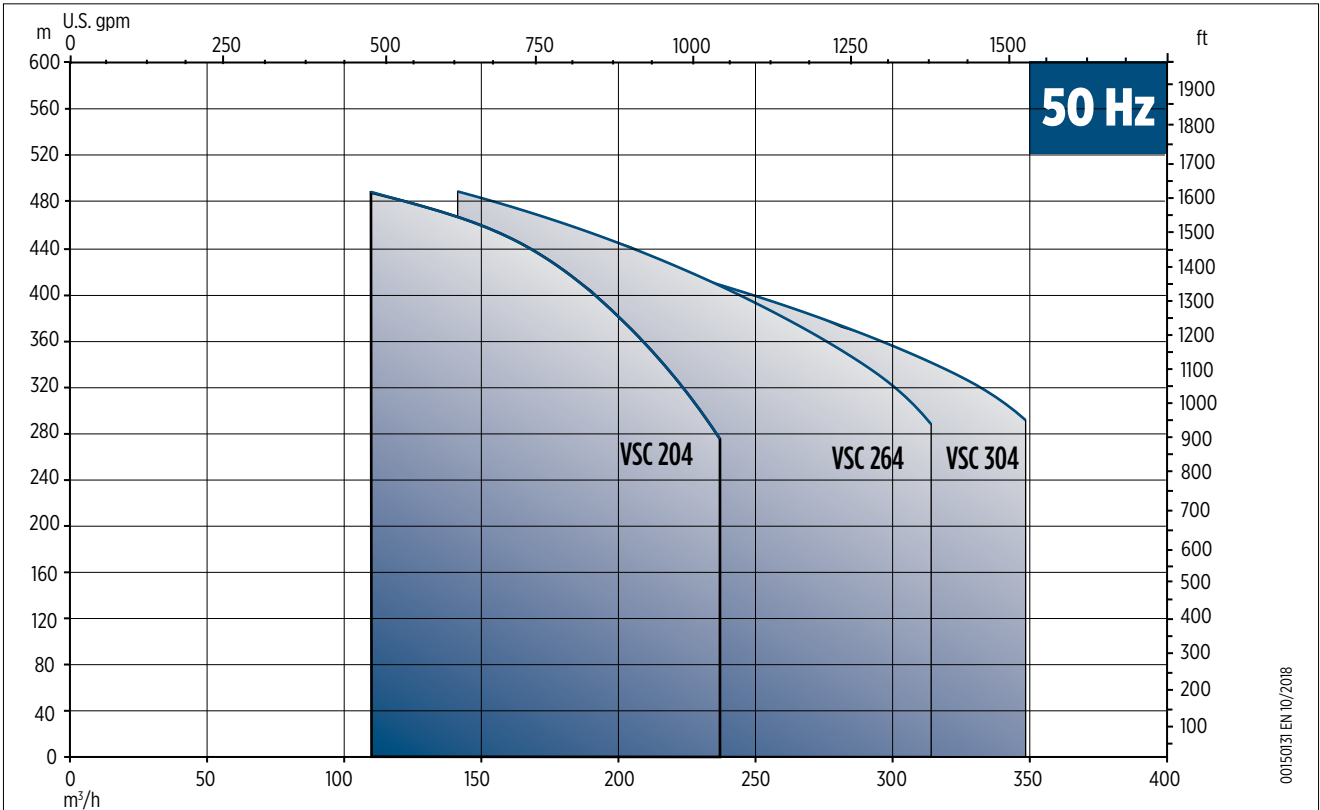
HYDRAULIC PERFORMANCE CURVE AT 50 HZ - VSC 156



00120148 EN 07/2018

VSC SERIES 10"

FAMILY CURVES VSC 204 - 264 - 304



00150131 EN 10/2018



HYDRAULIC PERFORMANCE TABLE AT 50 HZ - VSC 204

Pump model type	Rated Power		Q = DELIVERY							
			m ³ /h 0	108	132	156	180	204	228	240
	[kW]	[HP]	l/min 0	1800	2200	2600	2800	3400	3800	4000
			H = TOTAL HEAD METERS COLUMN OF WATER [m]							
VSC204/2	37	50	83	74	71	66	61	55	47	42
VSC204/3	55	75	125	112	107	99	92	82	70	63
VSC204/4	75	100	167	149	142	132	122	109	94	84
VSC204/5	93	125	209	186	178	166	153	137	117	105
VSC204/6	110	150	250	223	214	199	183	164	140	126
VSC204/7	130	175	292	260	249	232	214	191	164	147
VSC204/8	150	200	334	298	285	265	244	218	187	168
VSC204/9	185	250	375	335	320	298	275	246	211	189
VSC204/10	185	250	417	372	356	331	305	273	234	210
VSC204/11	220	300	459	409	392	364	336	300	257	231
VSC204/12	220	300	500	446	427	397	366	328	281	252
VSC204/13	250	335	542	484	463	430	397	355	304	273

HYDRAULIC PERFORMANCE TABLE AT 50 HZ - VSC 264

Pump model type	Rated Power		Q = DELIVERY								
			m ³ /h 0	144	168	192	216	240	264	288	312
	[kW]	[HP]	l/min 0	2400	2800	3200	3600	4000	4400	4800	5200
			H = TOTAL HEAD METERS COLUMN OF WATER [m]								
VSC264/2	55	75	89	74	71	68	64	60	56	51	43
VSC264/3	75	102	133	111	107	101	96	90	84	76	65
VSC264/4	110	150	177	148	142	135	128	120	112	101	87
VSC264/5	130	174	222	185	178	169	160	150	140	127	109
VSC264/6	150	200	266	222	213	203	192	179	168	152	130
VSC264/7	185	250	310	259	249	237	224	209	196	177	152
VSC264/8	220	300	354	296	284	270	256	239	224	202	174
VSC264/9	220	300	399	333	320	304	288	269	252	228	195
VSC264/10	250	335	443	370	355	338	320	299	280	253	217
VSC264/11	300	402	487	407	391	372	352	329	308	278	239
VSC264/12	300	402	532	444	426	406	384	359	336	304	260
VSC264/13	350	469	576	481	462	439	416	389	364	329	282

HYDRAULIC PERFORMANCE TABLE AT 50 HZ - VSC 304

Pump model type	Rated Power		Q = DELIVERY								
			m ³ /h 0	180	204	228	252	276	300	324	348
	[kW]	[HP]	l/min 0	2800	3200	3600	4000	4400	4800	5200	5800
			H = TOTAL HEAD METERS COLUMN OF WATER [m]								
VSC304/2	67	90	90	74	72	68	66	63	60	56	49
VSC304/3	93	125	135	111	108	103	99	95	89	84	73
VSC304/4	130	174	180	148	144	137	132	126	119	112	97
VSC304/5	150	200	225	185	181	171	166	158	149	141	122
VSC304/6	185	250	270	222	217	205	199	189	179	169	146
VSC304/7	220	300	315	259	253	239	232	221	209	197	170
VSC304/8	250	340	360	296	289	274	265	252	238	225	194
VSC304/9	300	402	405	333	325	308	298	284	268	253	219
VSC304/10	300	402	450	370	361	342	331	315	298	281	243
VSC304/11	350	469	495	407	397	376	364	347	328	309	267
VSC304/12	400	536	540	444	433	410	397	378	358	337	292

TECHNICAL DATA - VSC 204

WITH ENCAPSULATED MOTOR

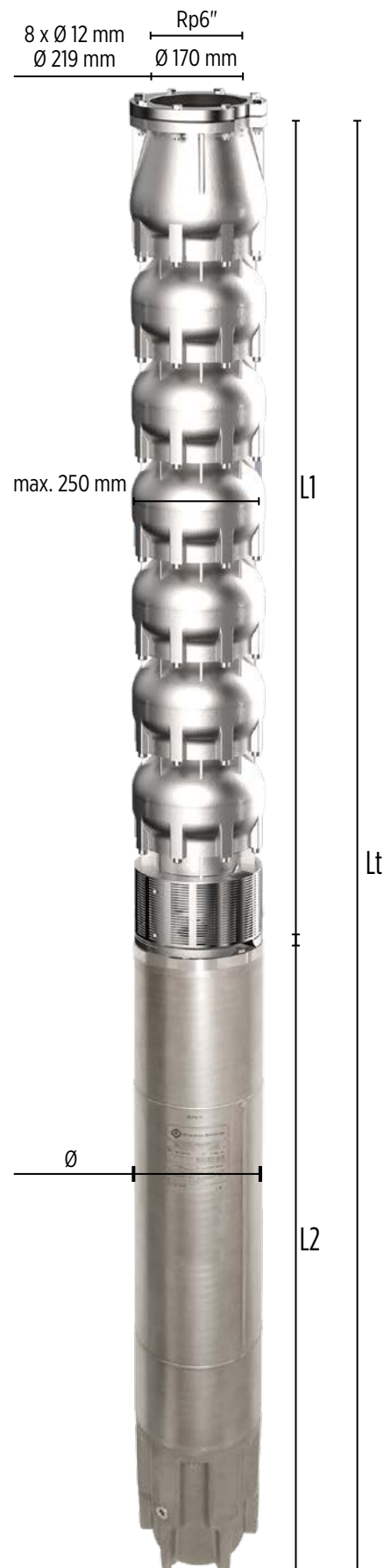
Pump model type	Motor			Dimensions [mm]*				Weight [kg]		
	[kW]	[HP]	Size	Ø [mm]	L1 [mm]	L2 [mm]	Lt [mm]	Pump	Motor	Electro pump
---	-	-	-	-	-	-	-	-	-	-
VSC204/2	37	50	M8	197	735	1000	1735	56	157	213
VSC204/3	55	75	M8	197	915	1264	2179	72	227	299
VSC204/4	75	100	M8	197	1095	1455	2550	88	265	353
VSC204/5	93	125	M8	197	1275	1748	3023	104	318	422
VSC204/6	110	150	M8	197	1455	1976	3431	119	381	500
VSC204/7	130	174	M8	197	1635	2179	3814	135	420	555
VSC204/8	150	200	M8	197	1815	2408	4223	151	494	645

*lengths without counter flange

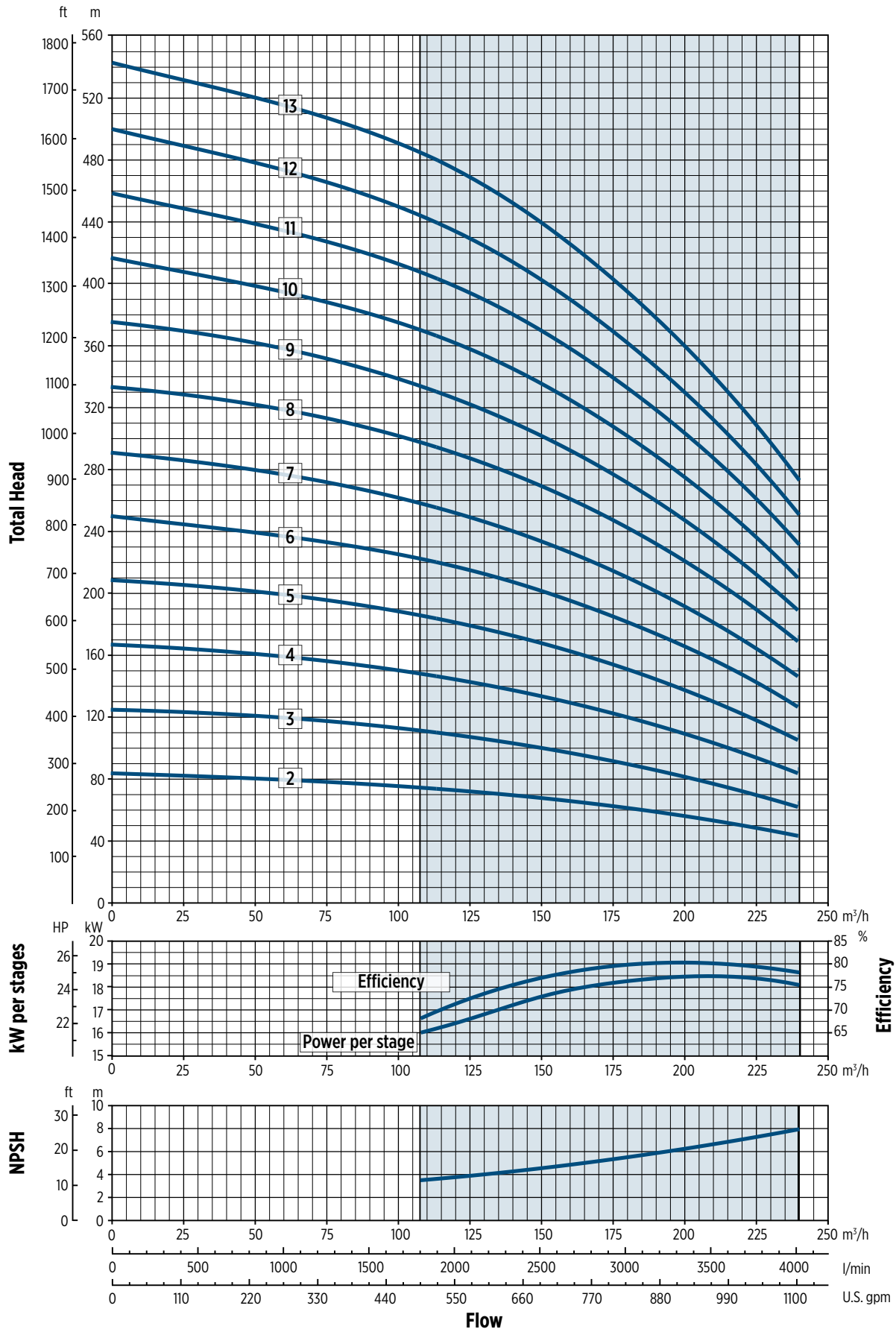
WITH REWINDABLE MOTOR

Pump model type	Motor			Dimensions [mm]*				Weight [kg]		
	[kW]	[HP]	Size	Ø [mm]	L1 [mm]	L2 [mm]	Lt [mm]	Pump	Motor	Electro pump
---	-	-	-	-	-	-	-	-	-	-
VSC204/2	37	50	M8	194	735	1340	2075	56	179	235
VSC204/3	55	75	M8	194	915	1560	2475	72	215	287
VSC204/4	75	100	M8	194	1095	1529	2624	88	215	303
VSC204/5	93	125	M8	194	1275	1740	3015	104	247	351
VSC204/6	110	150	M10	235	1455	1529	2984	119	315	434
VSC204/7	130	174	M10	235	1635	1659	3294	135	362	497
VSC204/8	150	200	M10	235	1815	1769	3584	151	413	564
VSC204/9	185	250	M10	235	1995	1919	3914	167	449	616
VSC204/10	185	250	M10	235	2175	1919	4094	183	449	632
VSC204/11	220	300	M12	286	2355	1893	4248	199	663	862
VSC204/12	220	300	M12	286	2535	1893	4428	215	663	878
VSC204/13	250	335	M12	286	2715	1893	4608	231	663	894

*lengths without counter flange



HYDRAULIC PERFORMANCE CURVE AT 50 HZ - VSC 204



00120149 EN 10/2018

TECHNICAL DATA - VSC 264

WITH ENCAPSULATED MOTOR

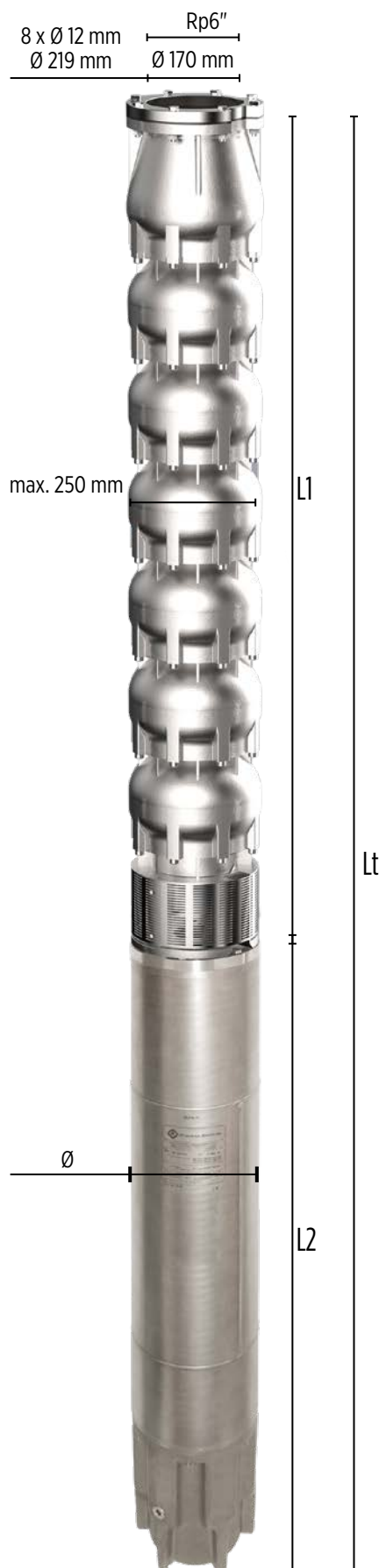
Pump model type	Motor			Dimensions [mm]*				Weight [kg]		
	[kW]	[HP]	Size	Ø [mm]	L1 [mm]	L2 [mm]	Lt [mm]	Pump	Motor	Electro pump
---	-	-	-	-	-	-	-	-	-	-
VSC264/2	55	75	M8	197	775	1264	2039	56	227	283
VSC264/3	75	100	M8	197	955	1455	2410	72	265	337
VSC264/4	110	150	M8	197	1135	1976	3111	88	381	469
VSC264/5	130	174	M8	197	1315	2179	3494	104	420	524
VSC264/6	150	200	M8	197	1495	2408	3903	119	494	613

*lengths without counter flange

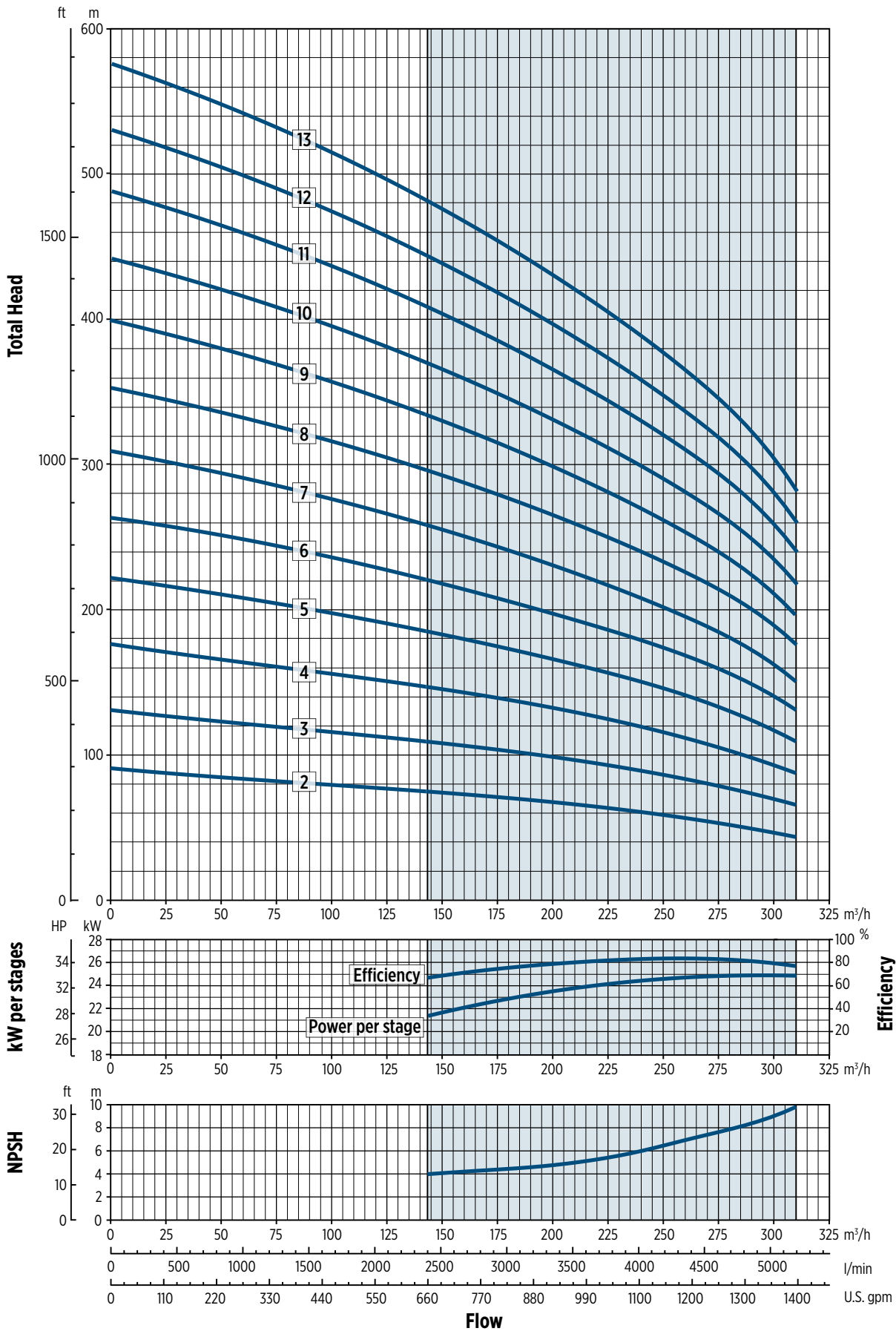
WITH REWINDABLE MOTOR

Pump model type	Motor			Dimensions [mm]*				Weight [kg]		
	[kW]	[HP]	Size	Ø [mm]	L1 [mm]	L2 [mm]	Lt [mm]	Pump	Motor	Electro pump
---	-	-	-	-	-	-	-	-	-	-
VSC264/2	55	75	M8	194	775	1340	2115	56	179	235
VSC264/3	75	100	M8	194	955	1560	2515	72	215	287
VSC264/4	110	150	M10	235	1135	1529	2664	88	315	403
VSC264/5	130	174	M10	235	1315	1659	2974	104	362	466
VSC264/6	150	200	M10	235	1495	1769	3264	119	413	532
VSC264/7	185	250	M10	235	1675	1919	3594	135	449	584
VSC264/8	220	300	M12	286	1855	1893	3748	151	663	814
VSC264/9	220	300	M12	286	2035	1893	3928	167	663	830
VSC264/10	250	335	M12	286	2215	1893	4108	183	663	846
VSC264/11	300	402	M12	286	2395	2043	4438	199	726	925
VSC264/12	300	402	M12	286	2575	2043	4618	215	726	941
VSC264/13	350	469	M12	286	2755	2143	4898	231	769	1000

*lengths without counter flange



HYDRAULIC PERFORMANCE CURVE AT 50 HZ - VSC 264



002015Z EN 07/2018

TECHNICAL DATA - VSC 304

WITH ENCAPSULATED MOTOR

Pump model type	Motor			Dimensions [mm]				Weight [kg]		
	[kW]	[HP]	Size	Ø [mm]	L1 [mm]	L2 [mm]	Lt [mm]	Pump	Motor	Electro pump
---	-	-	-	-	-	-	-	-	-	-
VSC304/2	75	100	M8	197	775	1455	2230	56	265	321
VSC304/3	93	125	M8	197	955	1748	2703	72	318	390
VSC304/4	130	174	M8	197	1135	2179	3314	88	420	508
VSC304/5	150	200	M8	197	1315	2408	3723	104	494	598

*lengths without counter flange

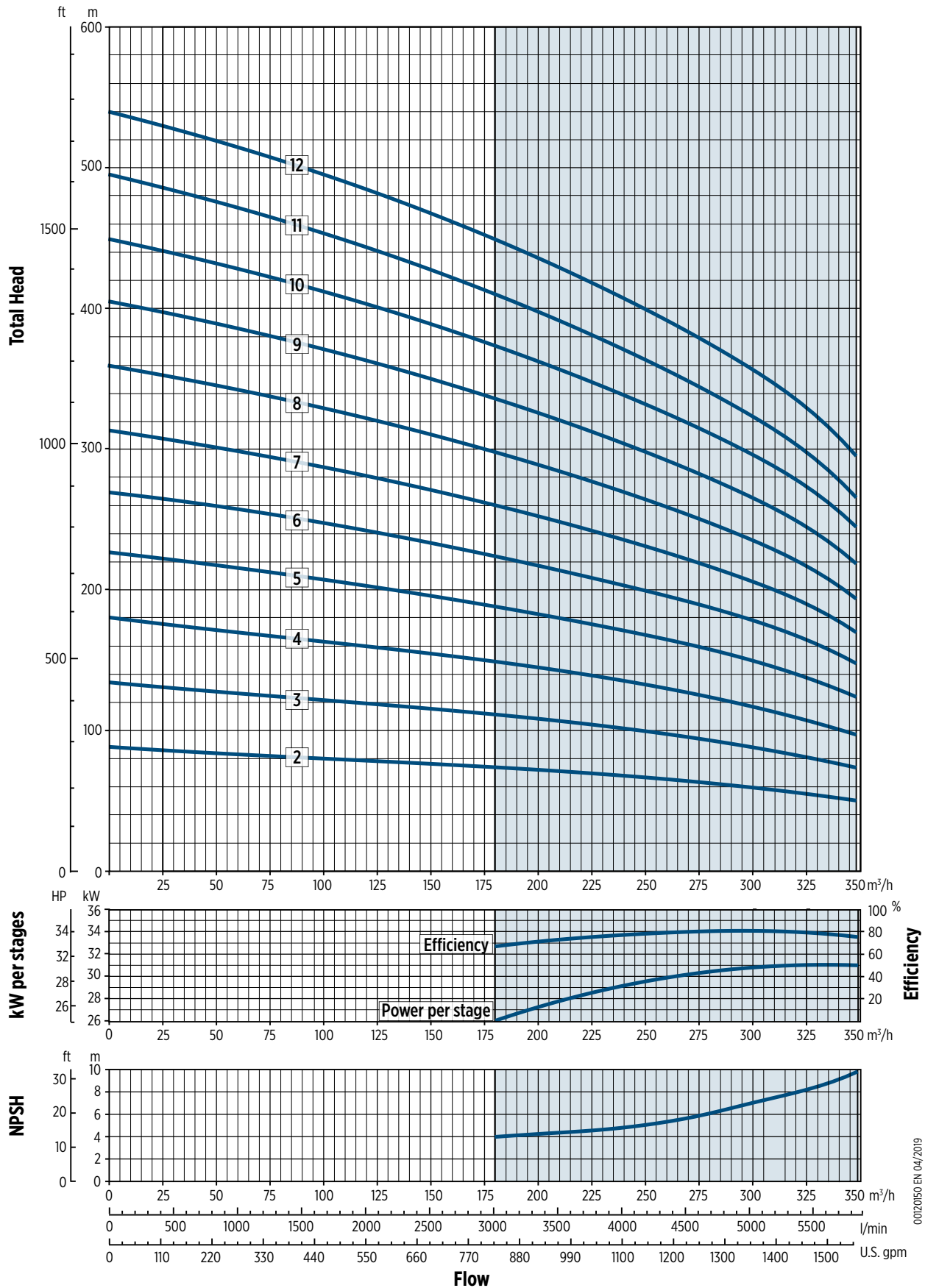
WITH REWINDABLE MOTOR

Pump model type	Motor			Dimensions [mm]				Weight [kg]		
	[kW]	[HP]	Size	Ø [mm]	L1 [mm]	L2 [mm]	Lt [mm]	Pump	Motor	Electro pump
---	-	-	-	-	-	-	-	-	-	-
VSC304/2	67	90	M8	194	775	1340	2115	56	179	235
VSC304/3	93	125	M8	194	955	1560	2515	72	215	287
VSC304/4	130	174	M10	235	1135	1529	2664	88	315	403
VSC304/5	150	200	M10	235	1315	1659	2974	104	362	466
VSC304/6	185	250	M10	235	1495	1769	3264	119	413	532
VSC304/7	220	300	M12	286	1675	1893	3568	135	663	792
VSC304/8	250	335	M12	286	1855	1893	3748	151	663	814
VSC304/9	300	402	M12	286	2035	2043	4078	167	726	893
VSC304/10	300	402	M12	286	2215	2043	4258	183	726	909
VSC304/11	350	469	M12	286	2395	2143	4538	199	769	968
VSC304/12	400	536	M12	286	2575	2193	4768	215	794	1009

*lengths without counter flange



HYDRAULIC PERFORMANCE CURVE AT 50 HZ - VSC 304



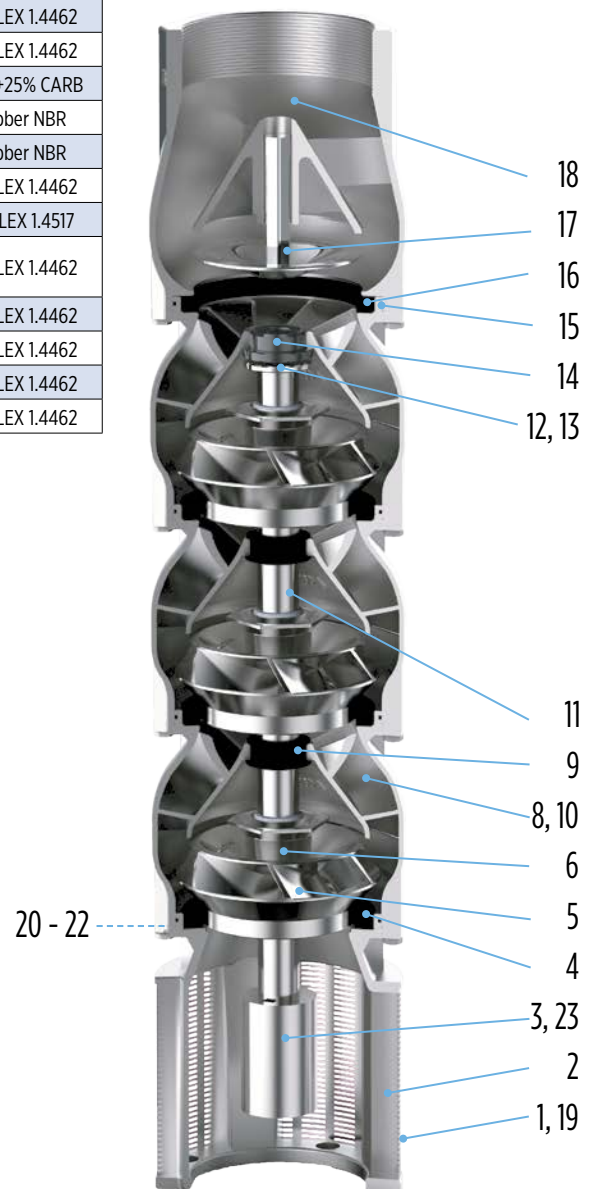
00120150 EN 04/2019

MATERIALS / FLUIDS COMPATIBILITY

VSC 114 / 132 / 156

Pos.	Description	Material		
		I Version	N Version	D Version
1	SUCTION STRAINER	AISI 304	AISI 316	DUPLEX 1.4462
2	MOTOR FLANGE	AISI 304	AISI 316	DUPLEX 1.4517
3	COUPLING	AISI 304 > 75 kW: DUPLEX	DUPLEX 1.4462	DUPLEX 1.4462
4	NECK RING	Rubber NBR	Rubber NBR	Rubber NBR
5	IMPELLER	AISI 304	AISI 316	DUPLEX 1.4517
6	SPLIT CONE	AISI 304	AISI 316	DUPLEX 1.4462
8	DIFFUSER	AISI 304	AISI 316	DUPLEX 1.4517
9	BEARING BUSH	Rubber NBR	Rubber NBR	Rubber NBR
10	DIFFUSER SCREW SET (8 pieces)	AISI 304	AISI 316	DUPLEX 1.4462
11	SHAFT	AISI 304 > 75 kW: DUPLEX	AISI 316 > 75 kW: DUPLEX	DUPLEX 1.4462
12	UP-THRUST DISC*	AISI 304	AISI 316	DUPLEX 1.4462
13	UP-THRUST DISC SCREW*	AISI 304	AISI 316	DUPLEX 1.4462
14	UP-THRUST WASHER	PTFE+25% CARB	PTFE+25% CARB	PTFE+25% CARB
15	O-RING	Rubber NBR	Rubber NBR	Rubber NBR
16	GASKET VALVE	Rubber NBR	Rubber NBR	Rubber NBR
17	VALVE	AISI 304	AISI 316	DUPLEX 1.4462
18	DISCHARGE Rp5"	AISI 304	AISI 316	DUPLEX 1.4517
19	SUCTION STRAINER SCREW SET (2 pieces)	AISI 304	AISI 316	DUPLEX 1.4462
20	CABLE GUARD FLANGE BOTTOM	AISI 304	AISI 316	DUPLEX 1.4462
21	CABLE GUARD FLANGE TOP	AISI 304	AISI 316	DUPLEX 1.4462
22	CABLE GUARD	AISI 304	AISI 316	DUPLEX 1.4462
23	COUPLING SCREW	AISI 304	AISI 316	DUPLEX 1.4462

* components 12 and 13 not included in pumps with 2 stages

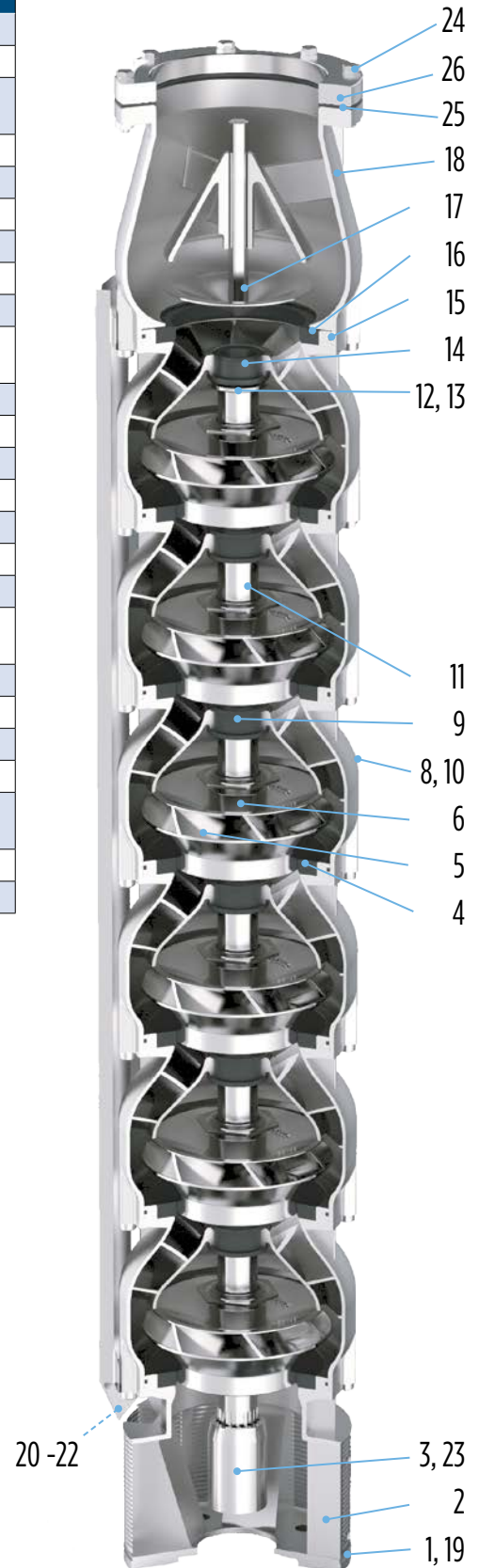


VSC 204 / 264 / 304

Pos.	Description	Material		
		I Version	N Version	D Version
1	SUCTION STRAINER	AISI 304	AISI 316	DUPLEX 1.4462
2	MOTOR FLANGE	AISI 304	AISI 316	DUPLEX 1.4517
3	COUPLING	AISI 304 > 150 kW: DUPLEX	DUPLEX	DUPLEX 1.4462
4	NECK RING	Rubber NBR	Rubber NBR	Rubber NBR
5	IMPELLER	AISI 304	AISI 316	DUPLEX 1.4517
6	SPLIT CONE	AISI 304	AISI 316	DUPLEX 1.4462
8	DIFFUSER	AISI 304	AISI 316	DUPLEX 1.4517
9	BEARING BUSH	Rubber NBR	Rubber NBR	Rubber NBR
10	DIFFUSER SCREW SET (8 pieces)	AISI 304	AISI 316	DUPLEX 1.4462
11	SHAFT	AISI 304 > 150 kW: DUPLEX	AISI 316 > 150 kW: DUPLEX	DUPLEX 1.4462
12	UP-THRUST DISC**	AISI 304	AISI 316	DUPLEX 1.4462
13	UP-THRUST DISC SCREW**	AISI 304	AISI 316	DUPLEX 1.4462
14	UP-THRUST WASHER	PTFE+25% CARB	PTFE+25% CARB	PTFE+25% CARB
15	O-RING	Rubber NBR	Rubber NBR	Rubber NBR
16	GASKET VALVE	Rubber NBR	Rubber NBR	Rubber NBR
17	VALVE	AISI 304	AISI 316	DUPLEX 1.4462
18	DISCHARGE	AISI 304	AISI 316	DUPLEX 1.4517
19	SUCTION STRAINER SCREW SET (2 pieces)	AISI 304	AISI 316	DUPLEX 1.4462
20	CABLE GUARD FLANGE BOTTOM	AISI 304	AISI 316	DUPLEX 1.4462
21	CABLE GUARD FLANGE TOP	AISI 304	AISI 316	DUPLEX 1.4462
22	CABLE GUARD	AISI 304	AISI 316	DUPLEX 1.4462
23	COUPLING SCREW	AISI 304	AISI 316	DUPLEX 1.4462
24*	COUNTER FLANGE SCREW (8 pieces)	AISI 304	AISI 316	DUPLEX 1.4462
25*	COUNTER FLANGE SEAL	Rubber NBR	Rubber NBR	Rubber NBR
26*	COUNTER FLANGE	AISI 304	AISI 316	DUPLEX 1.4462

*component available on request as option

** components 12 and 13 not included in pumps with 2 stages



CATALOG REVISION CHANGE NOTICE

Rev. No.	Changes	Page
01	model type description changed from VS > VSC	all
02	models 114 / 304 added, materials adjusted	all
03	performance curve VSC114 adjusted	7
	working range of VSC204 extended	12, 13, 15
	adjustment of materials / fluids compatibility	20, 21
	adjustment of pump identification code	3
04	adjustment of hydraulic performance curve (kW/stage)	19
	adjustment of pump diameter	16, 18



Franklin Electric

Franklin Electric S.r.l
Via Asolo, 7 - 36031 Dueville (Vicenza) - ITALY
Phone: +39 0444 361114 - Fax: +39 0444 365247
Email: sales.it@fele.com

Single member - Company subject to the control and coordination of Franklin Electric Co., Inc.

Franklin Electric S.r.l. reserves the right to amend specification without prior notice

00105006 EN_REV.04_04-2019

franklinwater.eu