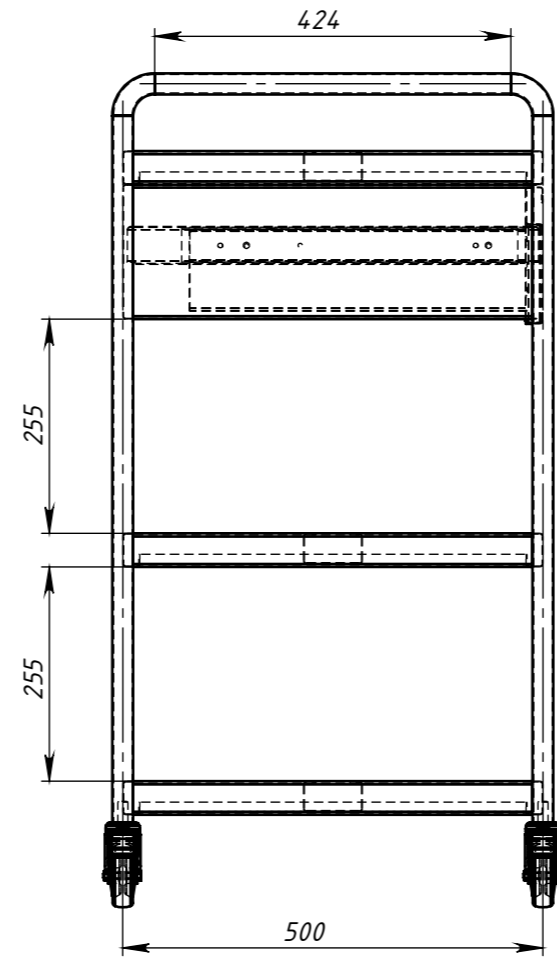
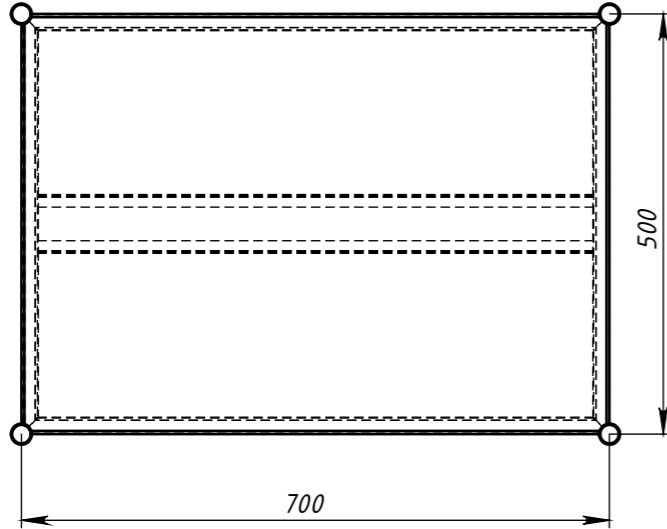
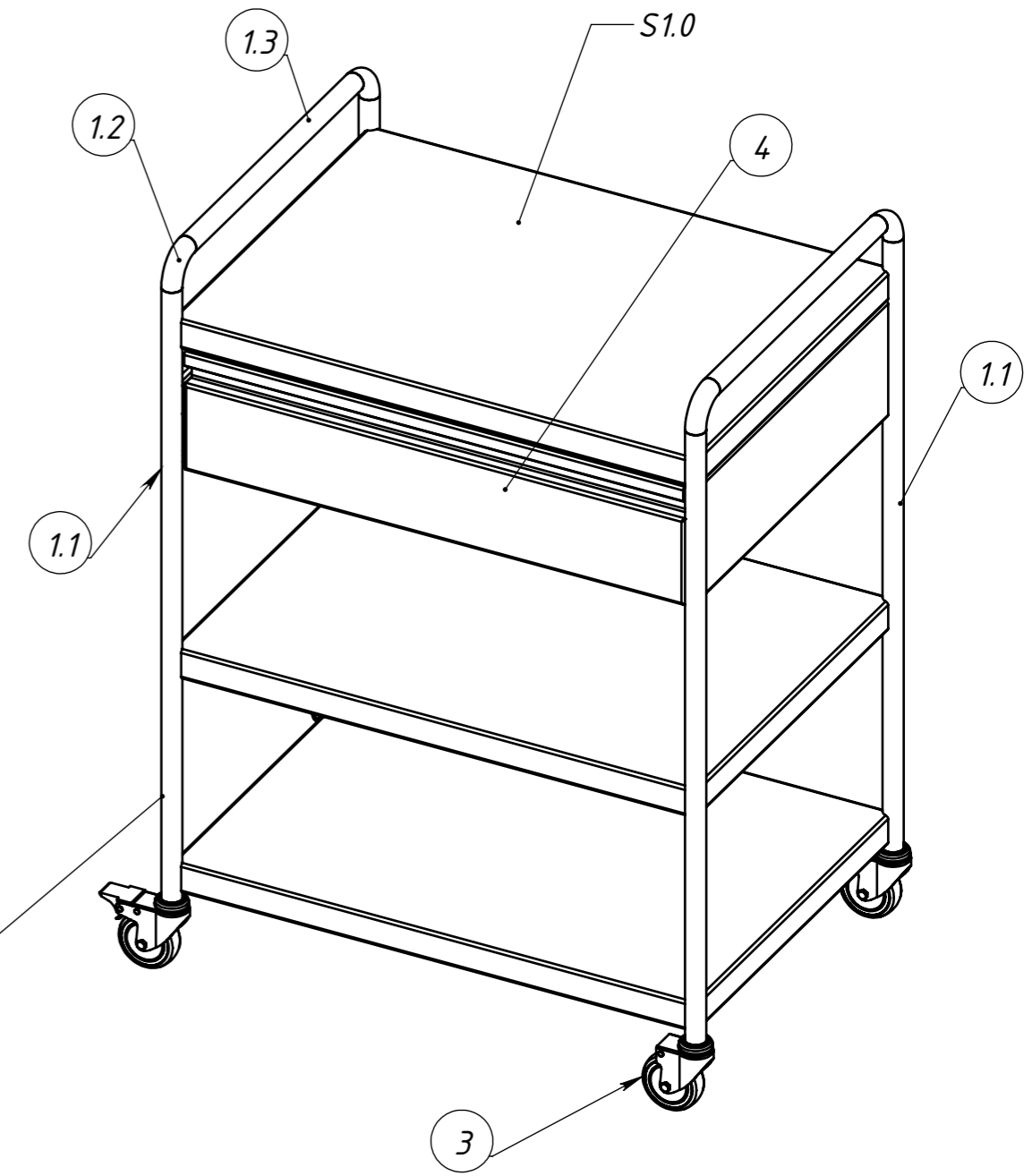


A-A (1 : 9)



Teava ϕ 25x1,5



ITEM NO.	PART NUMBER	DESCRIPTION	ДЛИНА	QTY.
1	Carcasa 450			2
1.1		Teava ϕ 25x1.5	841	2
1.2		Cot ϕ 25x1.5	90°	2
1.3		Teava ϕ 25x1.5	424	1
2	Roata 75 fr			2
3	Roata 75			2
4	sertar			1
5	Laterala			2
6	Spate			
7	Laterala gl dr2			1
8	MirrorLaterala gl dr21			1
9	Polita 700x500 fb	S1.0		3
10	Ranfort 560	S1.0		3

No	
Client	-
Inginer	Pleşivţev Artiom
Termen ex.2026

Carucior 700x500x850 cu 3 nivele si 1 sertar **METAL EXPERT TECHNOLOGY**