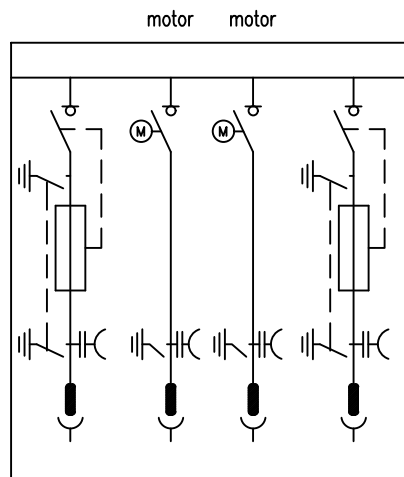
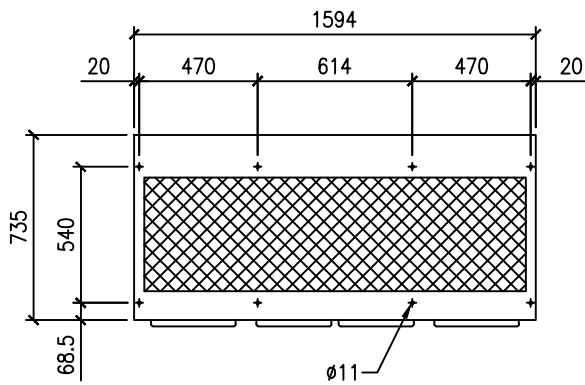
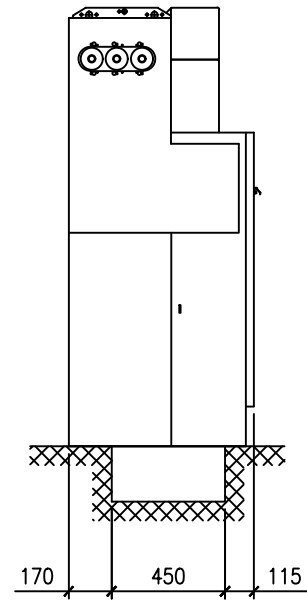
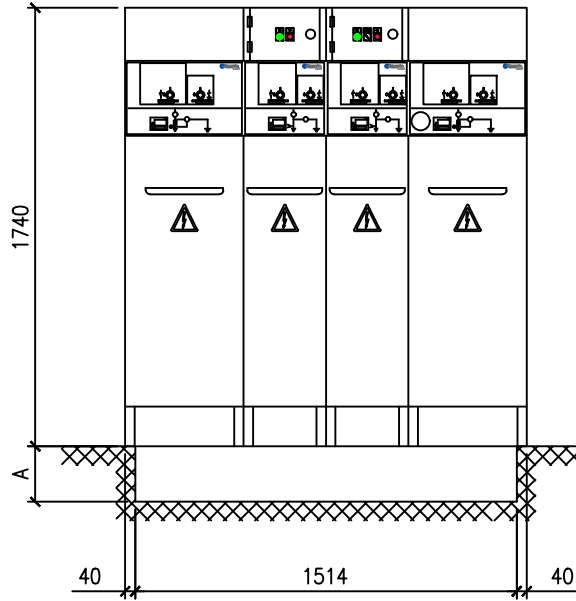


© THIS DOCUMENT IS THE PROPERTY OF ORMAZABAL. ALL RIGHTS ARE RESERVED AND ARE NOT TO BE COPIED OR REPRODUCED WITHOUT ORMAZABAL EXPRESS WRITTEN CONSENT.



PT228DR24

A: CABLE TRENCH DEPTH ACCORDING TO CURVATURE RADIUS.

	ormacloc cgmcosmos 49-32-25 Tender RedNord		P024749	
	Designed by I.F.G. 18-02-2025		Rev. N°: 0	Sheet 2 of 15
	Revised by I.G.M. 18-02-2025		Scale : 1/30	
	Approved by		A4 metric	Contract No.