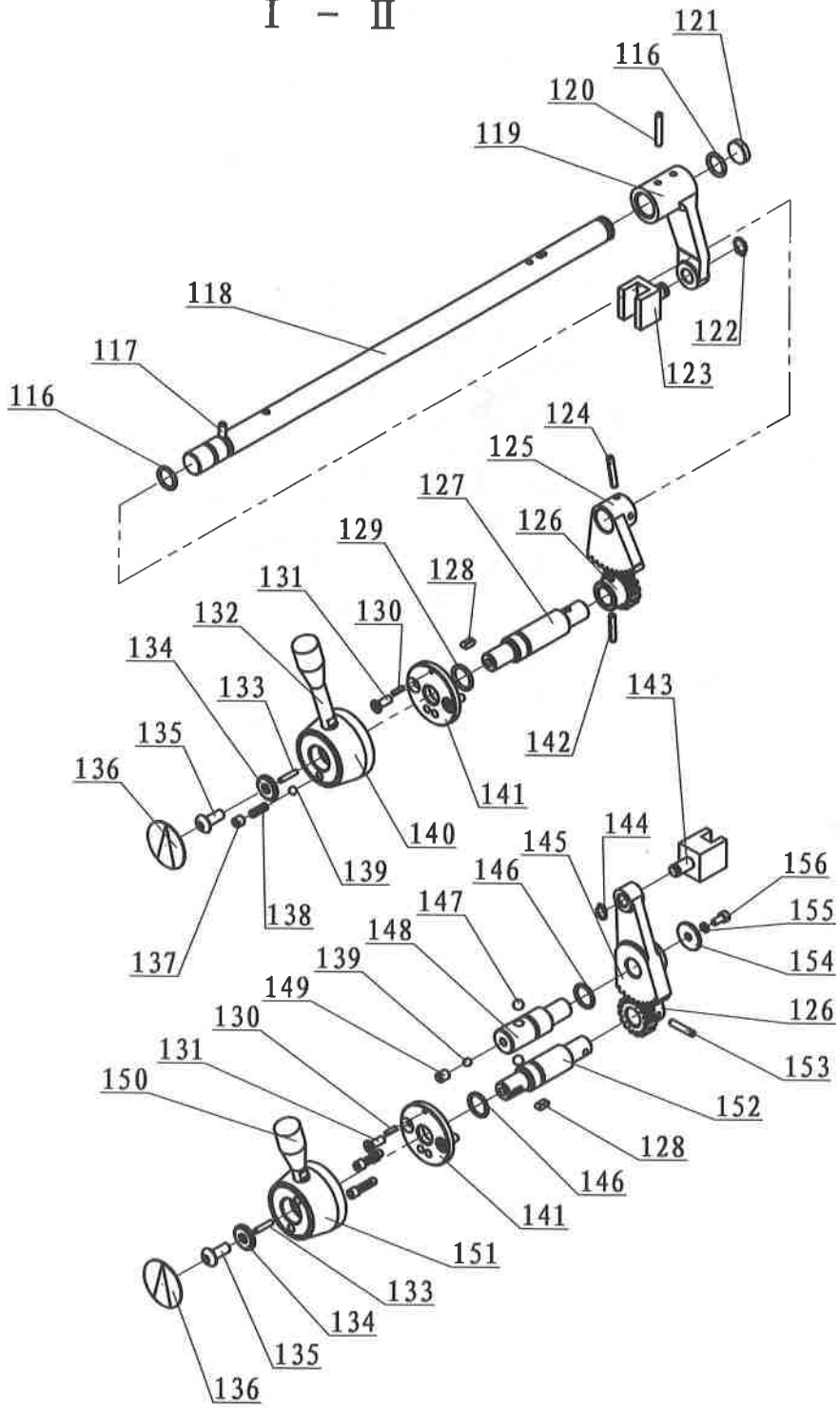
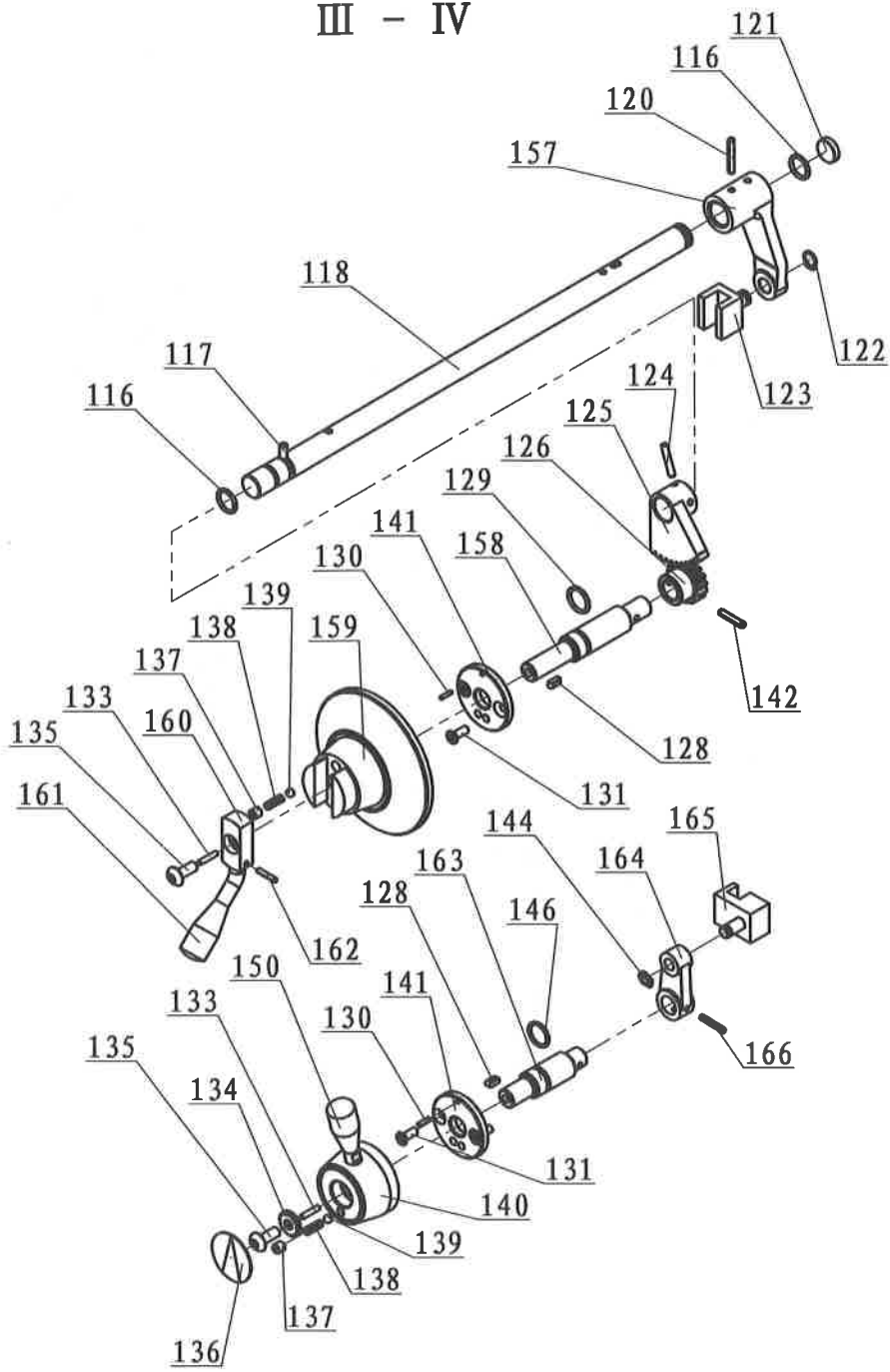


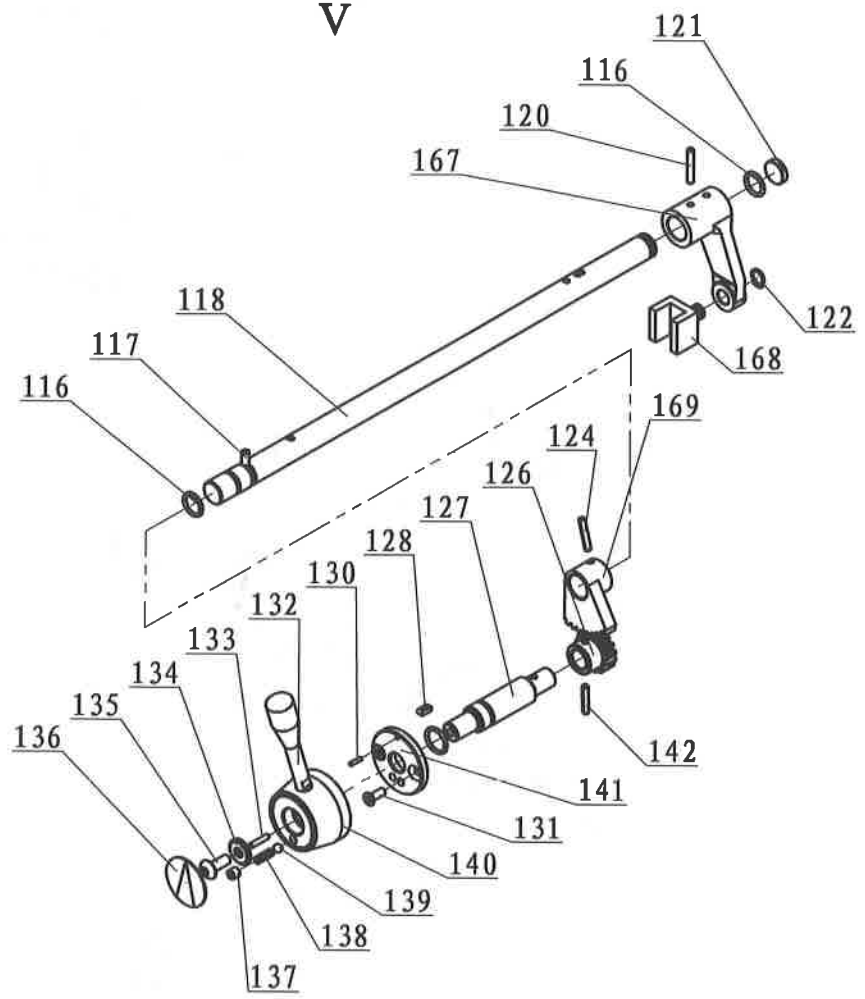
I - II

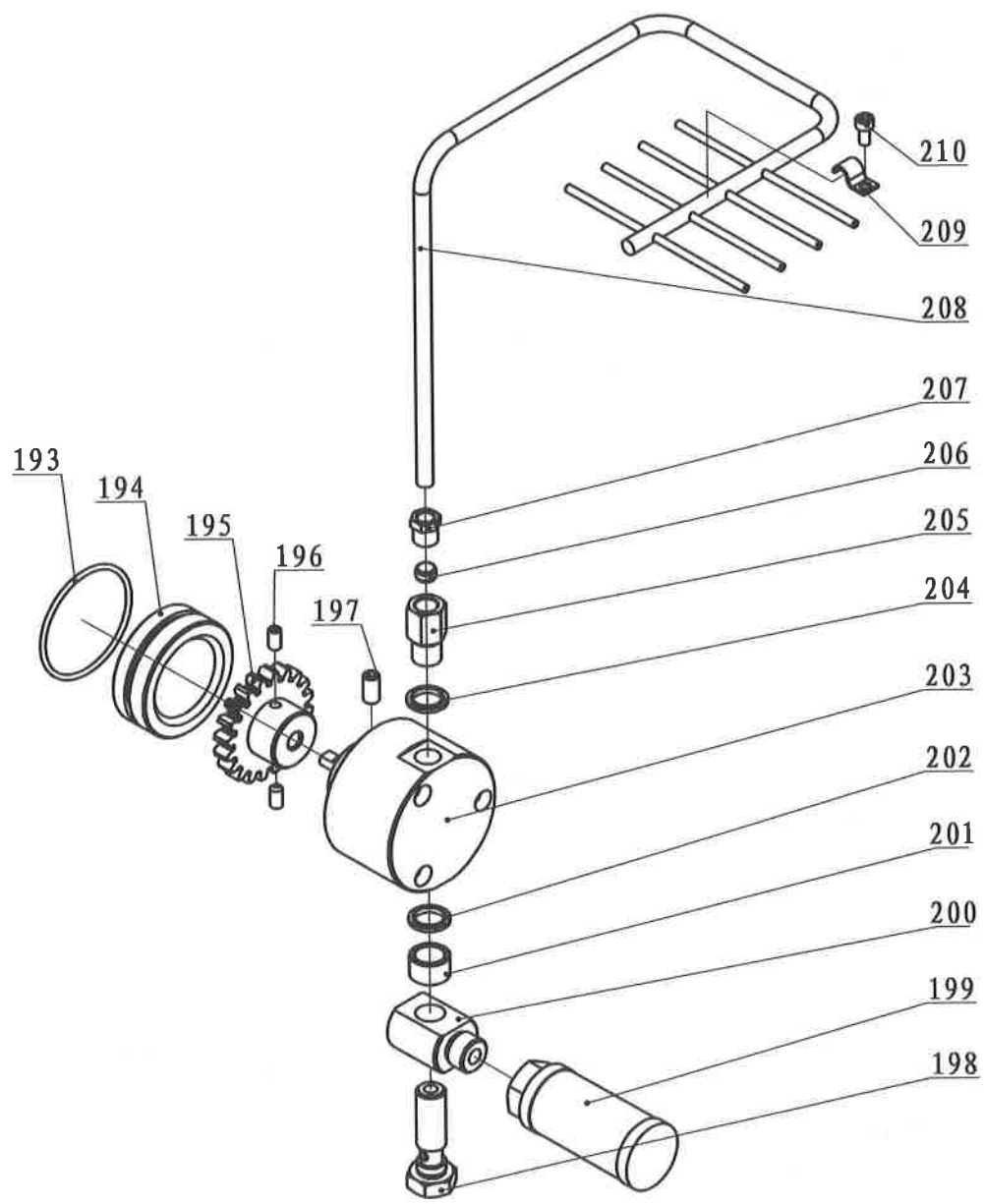


### III - IV



V





No.	Part No.	Name	Specification	Qty.
1	GB/T 812-1988	Nut	M30×1.5	1
2	GB 858-1988	Washer	30	1

3	CR6241-01-26	Pulley		1
4		Oil Seal	TC42×55×9	1
5	GB1235-76	O-Ring	36×3.5	1
6	CR6241-01-23	Spacer		1
7	GB/T70.1-2000	Screw	M6×35	4
8	CR6241-01-24	Bearing Cover		1
9	CR6241-01-25	Bealed Mat		1
10	GB/T276-1994	Ball Bearing	6206-2Z	2
11	GB1096-79	Key	8 × 45	1
12	GB1096-79	Key	B8 × 55	1
13	CR6246B-01-07	Gear		1
14	CR6246B-01-06	Gear		1
15	GB/T276-1994	Ball Bearing	6205-2Z	4
16	CR6241-01-20	Spacer		1
17	CR6241-01-19	Shaft		1
18	CR6246B-01-08	Gear		1
19	CR6246B-01-09	Gear		1
20	CR6246B-01-10	Gear		1
21	GB/T276-1994	Ball Bearing	6007-2Z	1
22	CR6246B-01-11	Gear		1
23	CR6246B-01-12	Gear		1
24	CR6241-01-27	Shaft		1
25	GB/T276-1994	Ball Bearing	6305-2Z	2
26	CR6251-01-43	Washer		2
27	GB893.1-86	Snap Ring	62	2
28	GB/T3452.1	O-Ring	56 × 2.65	3
29	CR6241-01-33	Plug		3
30	GB/T70-2000	Screw	M6 × 12	6
31	CR6241-01-46	Cover		1
32	CR6241-01-47	Sealed Mat		1
33	CR6246B-01-18	Gear		1
34	GB1096-79	Key	8 × 25	1
35	CR6246B-01-19	Gear		1
36	GB/T894.1-1986	Snap Ring	50	1
37	GB/T894.1-1986	Snap Ring	48	1
38	CR6246B-01-17	Gear		1
39	CR6246B-01-16	Gear		1
40	CR6246B-01-15	Gear		1
<b>No.</b>	<b>Part No.</b>	<b>Name</b>	<b>Specification</b>	<b>Qty.</b>
41	GB1096-79	Key	8 × 35	1
42	GB/T894.1-1986	Snap Ring	34	1

43	CR6241-01-40	Shaft		1
44	GB/T276-1994	Ball Bearing	6204-2Z	5
45	CR6241-01-39	Spacer		2
46	GB/T894.1-1986	Snap Ring	75	2
47	CR6246B-01-13	Gear		1
48	CR6241-01-37	Key		2
49	CR6246B-01-14	Gear		1
50	CR6241-01-35	Shaft		1
51	CR6251-01-82	Balance Piece		2
52	GB/T79-2000	Screw	M6 × 8	4
53	GB/T77-2000	Screw	M10 × 10	1
54	CR6251-01-05	Set Nut		1
55	GB 77-85	Screw	M8 × 8	3
56	GB70-86	Screw	M6 × 20	4
57	CR6246B-01-25	Rear Bearing Cover		1
58	CR6246B-01-26	Sealed Mat		1
59	CR6251-01-81	Cycle Oil Ring		1
60	GB/T276-1994	Ball Bearing	6020	1
61	CR6251-01-80	Oil Ring		1
62	CR6246B-01-24	Gear		1
63	CR6246B-01-27	Set Nut		1
64	GB/T297-1994	Taper Roller	32022/P5	1
65	CR6246B-01-23	Set Nut		1
66	GB 77-85	Screw	M8 × 8	1
67	CR6246B-01-22	Gear		1
68	CR6246B-01-21	Gear		1
69	GB/T297-1994	Taper Roller	32024/P5	1
70	GB/T70-2000	Screw	M6 × 40	5
71	GB1096-79	Key	10 × 85	1
72	CR6251-01-52	Cam Lock		6
73	CR6241-01-94	Spring		6
74	CR6251-01-53	Screw		6
75	CR6251-01-58	Sealed Mat		1
76	CR6251-01-57	Front Bearing Cover		1
77	CR6246B-01-20	Spindle		1
78	GB1567-79	Key	8 × 60	1
79	CR6241-01-68	Cover		1
80	CR6241-01-69	Sealed Mat		1
<b>No.</b>	<b>Part No.</b>	<b>Name</b>	<b>Specification</b>	<b>Qty.</b>
81	GB1096-79	Key	6 × 18	1
82	GB/T894.1-1986	Snap Ring	25	3

83	CR6246B-01-28	C Shaft		1
84	CR6246B-01-32	Gear		1
85	CR6246B-01-30	Gear		1
86	GB1096-79	Key	6 × 65	1
87	CR6241-01-16	Spacer		3
88	SF-1	Bearing	2512	4
89	GB1096-79	Key	6 × 28	1
90	CR6246B-01-49	Gear		1
91	CR6246B-01-31	Gear		1
92	CR6246B-01-29	Spacer		1
93		Oil Seal	TC25 × 47 × 8	1
94	GB/T276-1994	Ball Bearing	6005-2Z	1
95	GB/T70.1-2000	Screw	M6 × 20	3
96	CR6241-01-70	Bearing Flanged		1
97	CR6241-01-71	Sealed Mat		1
98	CR6246B-01-40	Gear		1
99	GB1096-79	Key	6 × 28	1
100	CR6246B-01-33	D Shaft		1
101	CR6246B-01-41	Spacer		1
102	GB1096-79	Key	6 × 18	1
103	CR6246B-01-35	Gear		1
104	CR6246B-01-34	Gear		1
105	GB1096-79	Key	6 × 60	1
106	GB/T894.1-1986	Snap Ring	40	1
107	GB/T70.1-2000	Screw	M6 × 12	1
108	CR6241-01-65	Washer		1
109	GB1235-76	O-Ring	35 × 3.1	1
110	CR6241-01-62	Shaft		1
111	CR6241-01-63	Spacer		2
112	CR6241-01-64	Gear		1
113	GB/T894.1-1986	Snap Ring	30	1
114		Bipyramid	B1061C	1
115		Connection	15326C	1
116	GB1235-76	O-Ring	20 × 2.4	6
117	GB/T79-2000	Screw	M6 × 16	3
118	CR6246B-01-36	Shaft		3
119	CR6246B-01-44	Lever		1
120	GB879-86	Spring Pin	5 × 30	3
<b>No.</b>	<b>Part No.</b>	<b>Name</b>	<b>Specification</b>	<b>Qty.</b>
121	CR6241-01-95	Plug		3
122	GB/T894.1-1986	Snap Ring	12	3

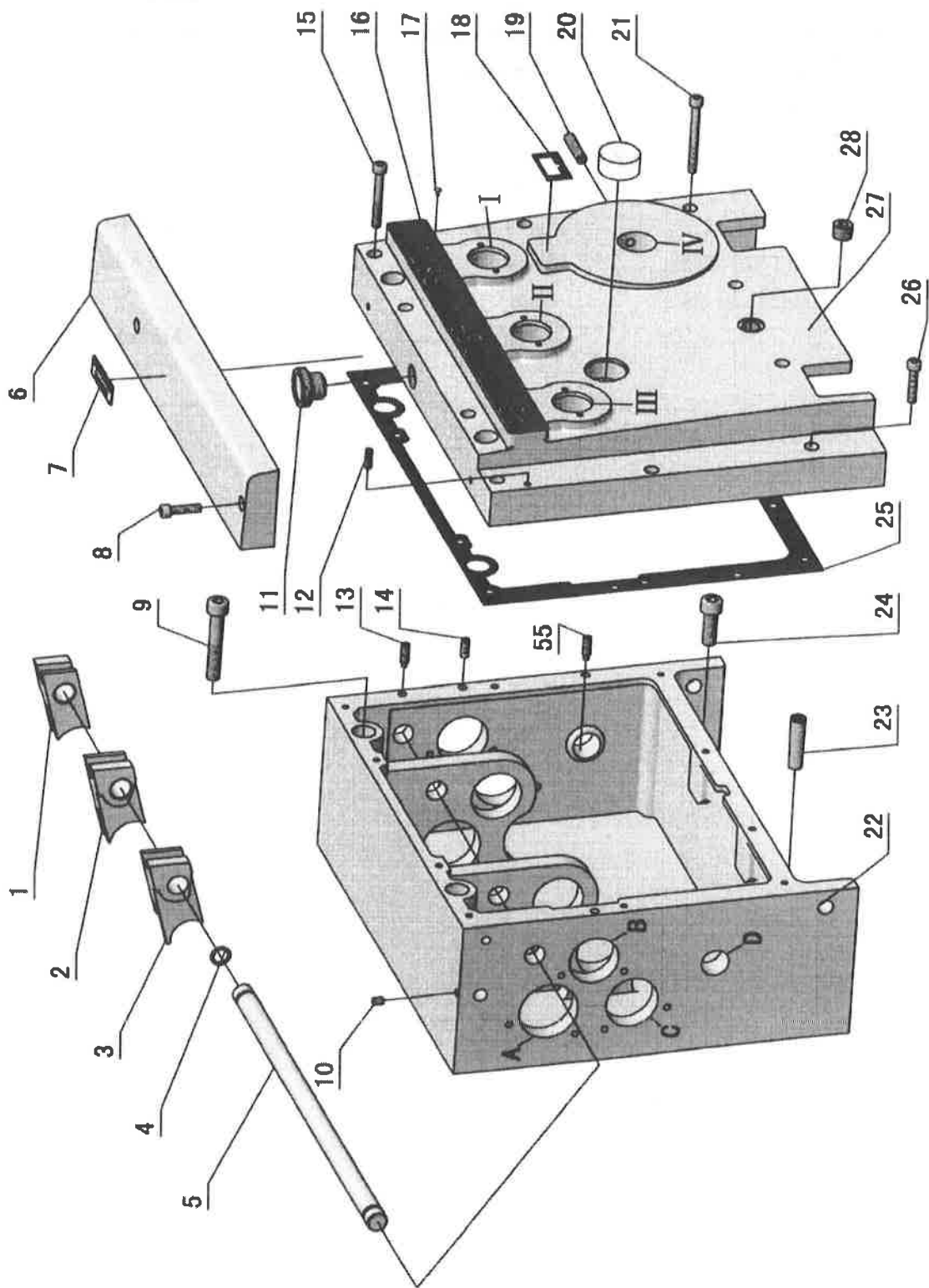


123	CR6246B-01-37	Fork		2
124	GB879-86	Spring Pin	5 × 26	3
125	CR6246B-01-45	Gear		2
126	CR6241-01-76	Gear		4
127	CR6241-01-80	Shaft		2
128	GB1096-79	Key	5 × 12	5
129	GB1235-76	O-Ring	22 × 2.4	3
130	GB879-86	Spring Pin	3 × 12	5
131	GB819-85	Screw	M6X16	10
132	CR6241-01-86	Lever		2
133	GB/T80-2000	Screw	M4 × 20	5
134	CR6241-01-84	Washer		4
135	CR6241-01-97	Screw		5
136	CR6241-01-100	Plate		4
137	GB/T77-2000	Screw	M8 × 8	6
138	CR6241-01-82	Spring	借用	6
139	GB308-84	Steel Ball	1/4"	7
140	CR6241-01-85	Lever Head		3
141	CR6241-01-83	Fix Black		5
142	GB879-86	Spring Pin	5 × 26	3
143	CR6241-01-12	Fork		1
144	GB/T894.1-1986	Snap Ring	10	2
145	CR6246B-01-46	Lever		1
146	GB1235-76	O-Ring	22 × 2.4	3
147	GB308-84	Steel Ball	8	2
148	CR6246B-01-48	Shaft		1
149	GB/T80-2000	Screw	M8 × 10	1
150	CR6241-02-62	Lever		2
151	CR6241-01-91	Handle		1
152	CR6246B-01-43	Shaft		1
153	GB879-86	Spring Pin	5 × 26	1
154	CR6246B-01-50	Washer		1
155	GB/T93-1987	Washer	5	1
156	GB70-85	Screw	M5 × 10	1
157	CR6246B-01-47	Lever		1
158	CR6241-01-81	Shaft		1
159	CR6241-01-88	Handel		1
160	CR6241-01-89	Fix Bracket		1
<b>No.</b>	<b>Part No.</b>	<b>Name</b>	<b>Specification</b>	<b>Qty.</b>
161	CR6241-01-90	Lever		1
162	GB879-86	Spring Pin	4 × 20	1

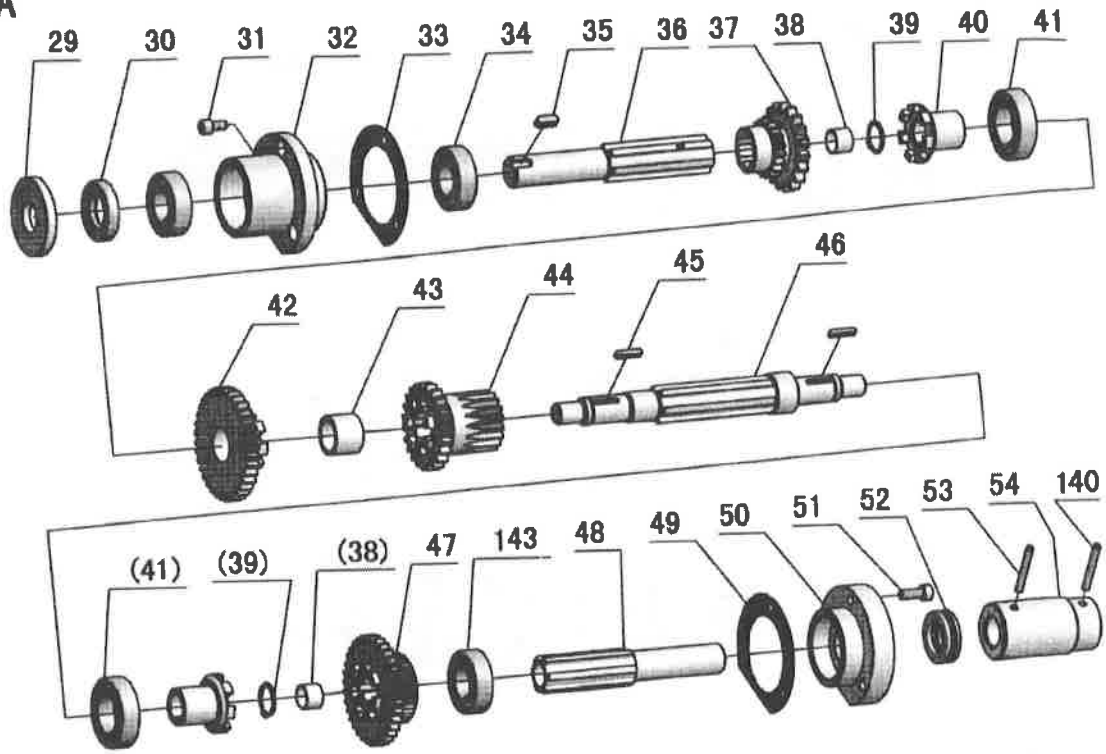
163	CR6246B-01-42	Shaft		1
164	CR6241-01-11	Lever		1
165	CR6246B-01-39	Fork		1
166	GB879-86	Spring Pin	4 × 26	1
167	CR6251-01-27	Lever		1
168	CR6246B-01-38	Fork		1
169	CR6251-01-15	Gear		1
170	SB4032-65	Plug	20	1
171	SB4010-65	Tube Fitting	20	1
172	G38-3A	Oil Plug	Z3/8	1
173	GB/T93-1987	Washer	16	2
174	GB/T70-2000	Screw	M16 × 50	2
175	GB119-86	Pin	8 × 65	1
176	GB/T79-2000	Screw	M10 × 20	1
177	GB/T70-2000	Screw	M10 × 90	1
178	GB1160.2	Oil Sight Glass	A20	1
179	GB/T77-2000	Screw	M8 × 25	1
180	CR6246B-01-05	Cover Dress		1
181	CR6246B-01-02	Headstock Cover		1
182	GB/T70-2000	Screw	M8 × 30	5
182	GB/T70-2000	Screw	M8 × 35	2
183	CR6246B-01-03	Sealed Mat		1
184	CR6246B-01-01	Headstock Casting		1
185	GB/T120.1-2000	Pin	16 × 55	1
186	GB/T70-2000	Screw	M16 × 45	2
187	CR6241A-01-02	Apron		1
188	GB/T70-2000	Screw	M6 × 12	2
189	CR6241A-01-03	Clamp		1
190	GB/T70-2000	Screw	M16 × 65	1
191	CR6246B-01-51	Plate		1
192	CR6246B-01-04	Plate		1
193	GB3452.1-82	O-Ring	56 × 2.65	1
194	CR6241-01-33	Plug		1
195	CR6251-01-91	Gear		1
196	GB/T80-2000	Screw	M6 × 12	2
197	GB/T80-2000	Screw	M8 × 16	1
198	CR6251-01-96	Connection	M14	1
199	WU-16-180-J	Fuel Filter	WU-16-180-J	1
<b>No.</b>	<b>Part No.</b>	<b>Name</b>	<b>Specification</b>	<b>Qty.</b>
200	CR6251-01-95	Connection	M18	1
201	CR6251-01-94	Spacer		1

202	G52-2	Sealing Washer	14	1
203	SNBY2.5-0.5	Pump	SNBY2.5-0.5	1
204	G52-2	Sealing Washer	14	1
205	CR6251-01-93	Connection		1
206	B145C	Bipyramid	B145C	1
207	25567	Connection	25567	1
208	CR6251-01-08	Oil Pipe		1
209		Pipe Clip	25594-1	1
210	GB/T70.1-2000	Screw	M5 × 10	1
211	CR6241-01-98	Plate		1
212		Oil Sight Glass	M27x1.5	1

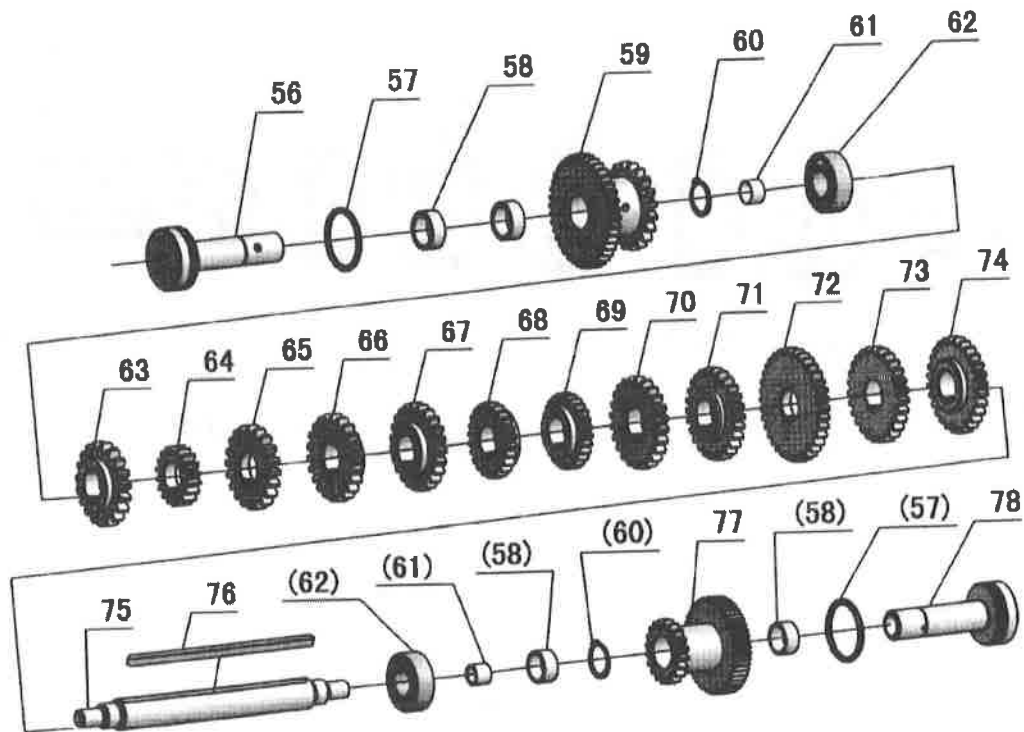
## Gearbox

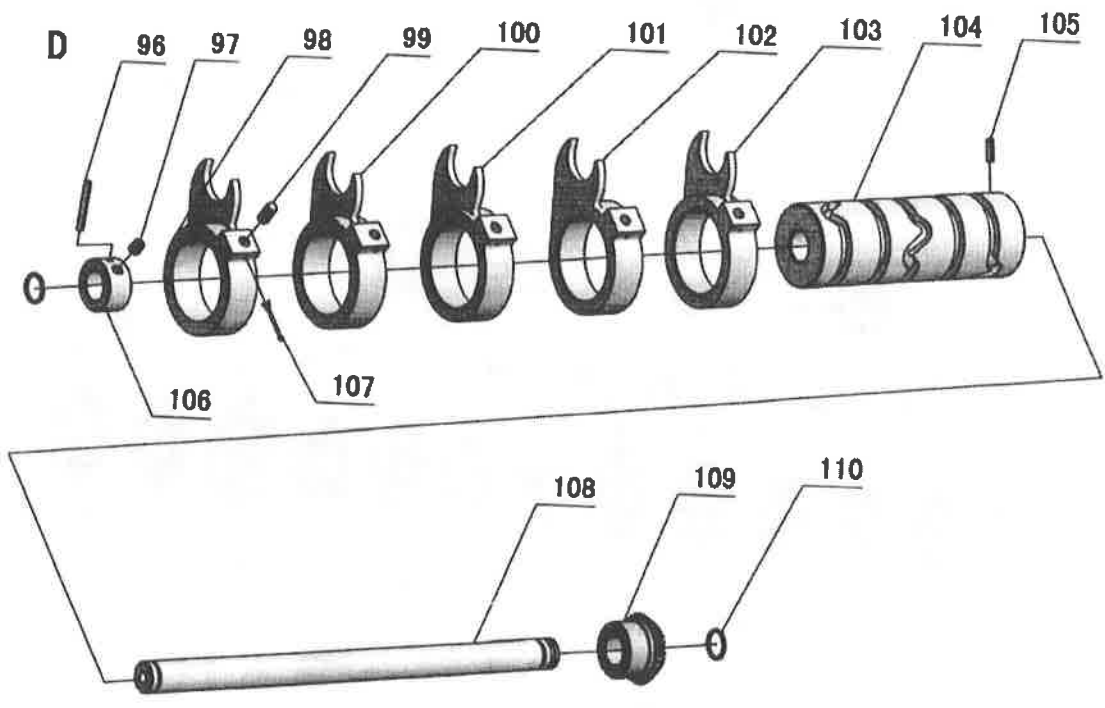
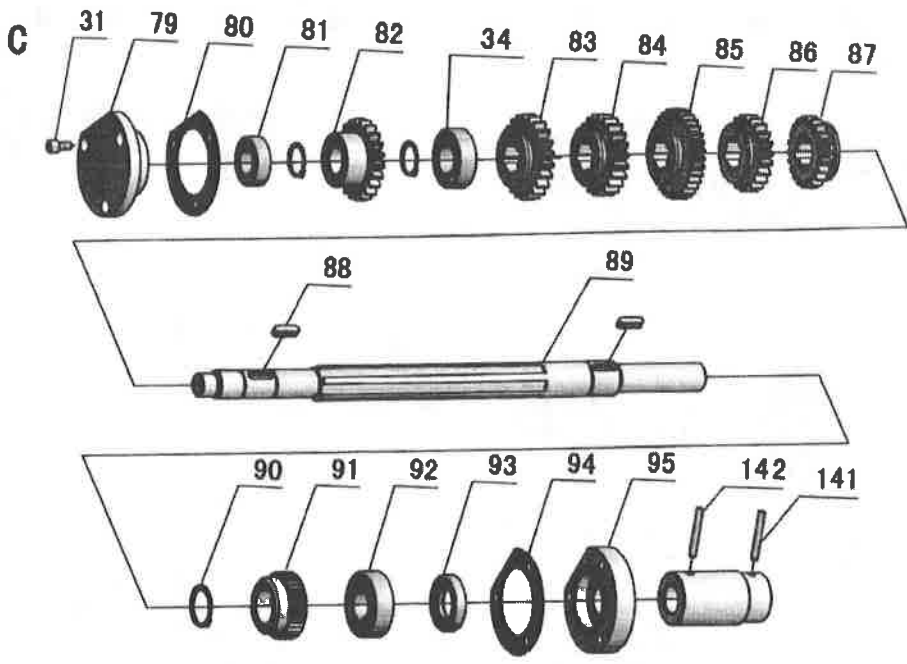


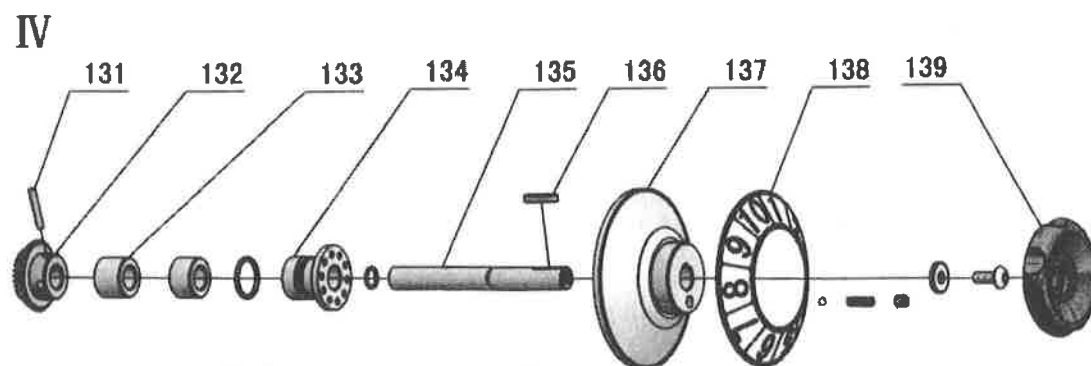
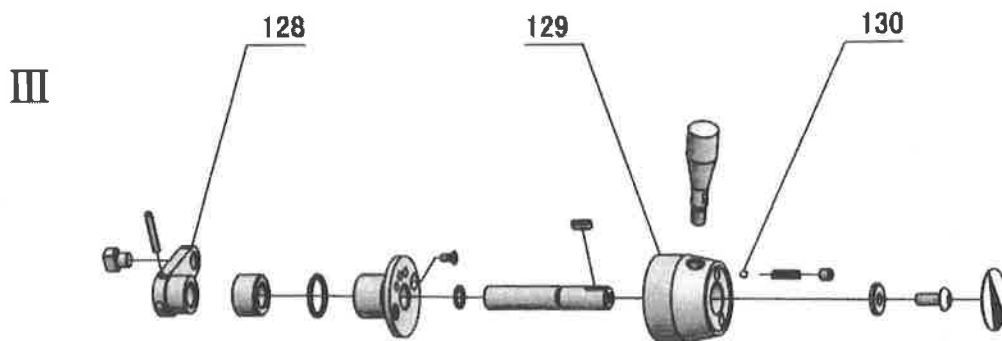
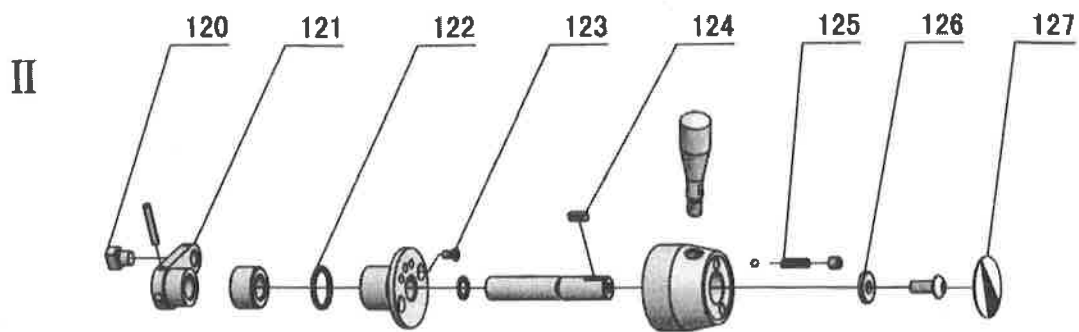
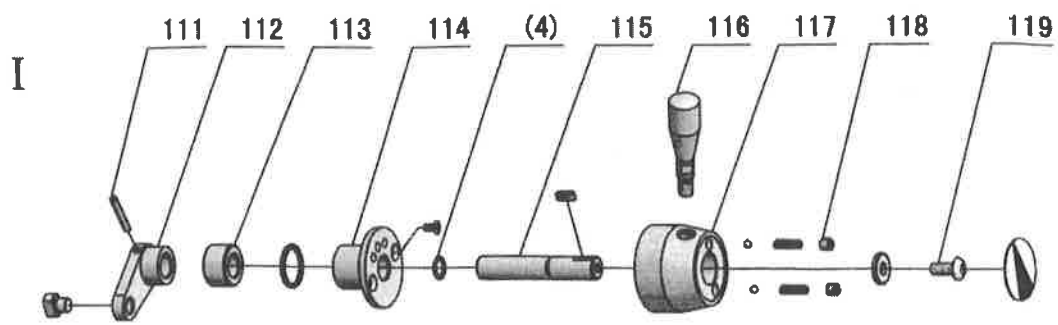
A



B







No.	Part No.	Name	Specification	Qty.
1	CR6241-02-10	Fork		1

2	CR6241-02-71	Fork		1
3	CR6241-02-72	Fork		1
4	GB1235-76	O-Ring	16×2.4	6
5	CR6241-02-78	Shaft		1
6	CR6246B-02-01	Top Cover		1
7	CR6241-01-102	Plate		1
8	GB70-85	Screw	M6×28	2
9	GB70-85	Screw	M10×45	2
10	GB78-85	Screw	M6×8	1
11	CR6241-03-42	Oil Cover		1
	CR6241-03-43	Plate		1
12	GB879-86	Spring Pin	5×16	2
13	GB78-85	Socket Set Screw	M6×16	1
14	GB78-85	Screw	M6×16	2
15	GB70-85	Screw	M6×50	4
16	CR6251T-02-06	Plate		1
17	GB827-86	Rivet	2×5	14
18	CR6241-02-80	Plate		1
19	GB78-85	Screw	M8×35	1
20	GB1160.2-89	Oil Sight Glass	A20	1
21	GB70-85	Screw	M6×60	3
22	CR6251T-02-04	Gear Box		1
23	GB118-86	Taper Pin	8×50	2
24	GB70-85	Screw	M10×45	2
25	CR6251T-02-05	Sealed Mat		1
26	GB70-85	Screw	M6×30	3
27	CR6241A-02-01	Front Cover		1
28	G38-3A	Oil Plug	Z 3/8"	1
29	CR6241-02-60	Spacer		1
30		Oil-Seal	TC20×42×8	1
31	GB70-85	Socket Head Cap Screw	M6×12	6
32	CR6241-02-58	Cap		1
33	CR6241-02-59	Sealed Mat		1
34	GB278-89	Ball Bearing	80104	3
35	GB1096-79	Key	6×10	1
36	CR6241-02-57	B-Shaft		1
37	CR6241-02-56	Gear		1
38	SF-1	Ball Bearing	1410	2
39	GB894.1-86	Snap Ring	18	2
<b>No.</b>	<b>Part No.</b>	<b>Name</b>	<b>Specification</b>	<b>Qty.</b>
40	CR6241-02-55	Clutch		2

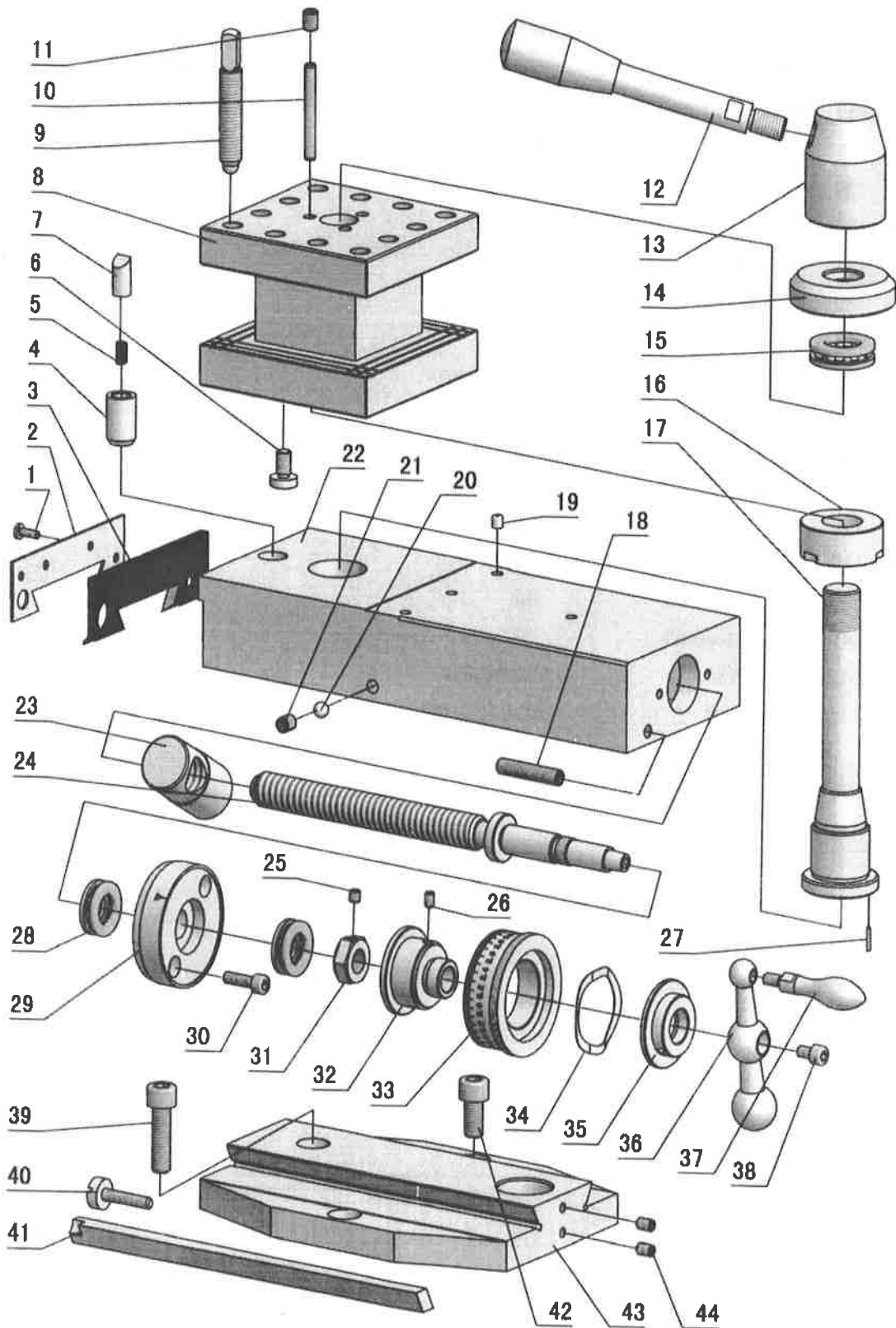


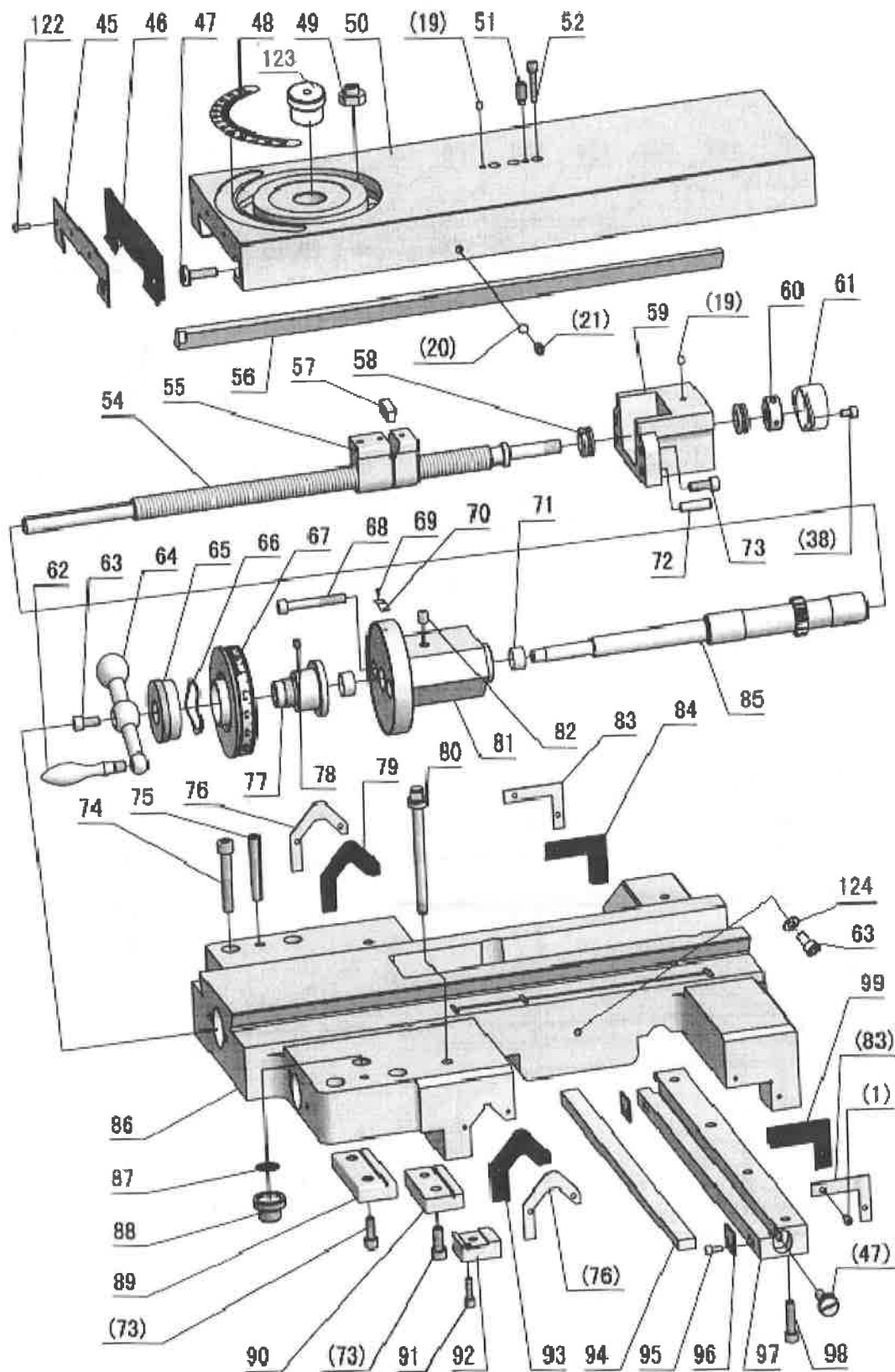
41	GB278-89	Ball Bearing	80105	2
42	CR6241-02-54	Gear		1
43	SF-1	Ball Bearing	2020	1
44	CR6241-02-53	Gear		1
45	GB1096-79	Key	4×20	2
46	CR6241-02-52	A-Shaft		1
47	CR6241-02-06	Gear		1
48	CR6241-02-51	C-Shaft		1
49	CR6241-02-50	Sealed Mat		1
50	CR6241-02-49	Cap		1
51	GB70-85	Socket Cap Screw	M6×20	6
52	GB301-84	Thrust Bearing	8104	1
53	GB879-86	Spring Pin	5×35	1
54	CR6241-02-21	Collar-Linkage		2
55	GB79-85	Socket Set Screw	M6×20	1
56	CR6241-02-33	E-Shaft		1
57	GB3452.1-82	O-Ring	35.5×3.55	2
58	SF-1	Ball Bearing	2012	4
59	CR6241-02-34	Gear		1
60	GB894.1-86	Snap Ring	20	4
61	SF-1	Ball Bearing	1218	2
62	GB278-89	Ball Bearing	80203	2
63	CR6241-02-36	Gear		1
64	CR6241-02-37	Gear		1
65	CR6241-02-38	Gear		1
66	CR6241-02-39	Gear		1
67	CR6241-02-40	Gear		1
68	CR6241-02-41	Gear		1
69	CR6241-02-42	Gear		1
70	CR6241-02-43	Gear		1
71	CR6241-02-44	Gear		1
72	CR6241-02-45	Gear		1
73	CR6241-02-46	Gear		1
74	CR6241-02-47	Gear		1
75	CR6241-02-35	D-Shaft		1
76	GB1096-79	Key	6×146	1
77	CR6241-02-05	Gear		1
78	CR6241-02-48	F-Shaft		1
79	CR6241-02-31	Cap		1
<b>No.</b>	<b>Part No.</b>	<b>Name</b>	<b>Specification</b>	<b>Qty.</b>
80	CR6241-02-32	Sealed Mat		1

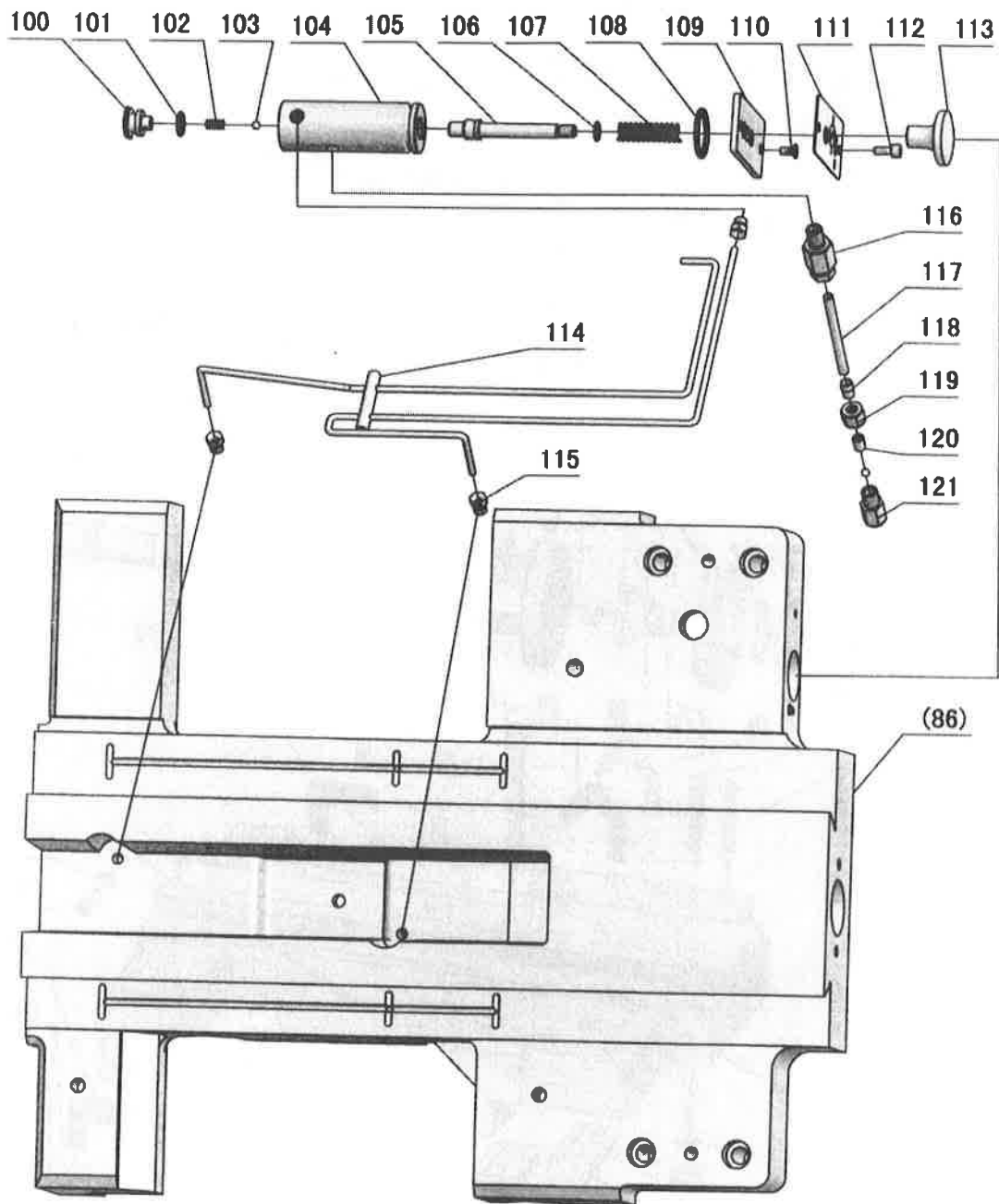
81	GB278-89	Ball Bearing	80103	1
82	CR6241-02-29	Gear		1
83	CR6241-02-28	Gear		1
84	CR6241-02-27	Gear		1
85	CR6241-02-26	Gear		1
86	CR6241-02-25	Gear		1
87	CR6241-02-24	Gear		1
88	GB1096-79	Key	6×20	2
89	CR6241-02-30	G-Shaft		1
90	GB894.1-86	Snap Ring	25	1
91	CR6241-02-04	Gear		1
92	GB279-88	Ball Bearing	180204	1
93		Oil Seal	TC20×40×7	1
94	CR6241-02-23	Sealed Mat		1
95	CR6241-02-22	Cap-Right		1
96	GB879-86	Spring Pin	5×35	1
97	GB78-85	Socket Set Screw	M8×10	1
98	CR6241-02-17	Claw-Shifter		1
99	GB119-86	Pin	B8×16	5
100	CR6241-02-16	Claw-Shifter		1
101	CR6241-02-15	Claw-Shifter		1
102	CR6241-02-14	Claw-Shifter		1
103	CR6241-02-13	Claw-Shifter		1
104	CR6241-02-18	Cam		1
105	GB879-86	Spring Pin	5×16	2
106	CR6241-02-19	Fixed Ring		1
107	GB91-86	Split Pin	2×30	5
108	CR6241-02-20	Cam Shaft		1
109	CR6241-02-12	Bevel Gear		1
110	GB1235-76	O-Ring	22×2.4	2
111	GB879-86	Spring Pin	5×30	3
112	CR6241-02-68	Arm		1
113	CR6241-02-09	Spacer		4
114	CR6241-02-76	Detent Plate		3
115	CR6241-02-11	Shaft		3
116	CR6241-02-62	Lever		3
117	CR6241-02-77	Speed Change Handle		1
118	GB77-85	Screw	M8×8	5
119	CR6241-01-97	Screw		4
<b>No.</b>	<b>Part No.</b>	<b>Name</b>	<b>Specification</b>	<b>Qty.</b>
120	CR6241-02-74	Fork		3

121	CR6241-02-69	Arm		1
122	GB1235-76	O-Ring	30×3.1	4
123	GB819-85	Screw	M5×10	6
124	GB1096-79	Key	5×14	3
125	CR6241-01-82	Spring		5
126	CR6241-01-84	Washer		4
127	CR6241-01-100	Plate		3
128	CR6241-02-70	Arm		1
129	CR6241-02-67	Speed Change Handle		2
130	GB308-77	Steel Ball	1/4"	5
131	GB879-76	Spring Pin	5×30	1
132	CR6241-02-63	Bevel Gear		1
133	CR6241-02-65	Spacer		1
134	CR6241-02-64	Shaft Sleeve		1
135	CR6241-02-07	Shaft		1
136	GB1096-79	Key	5×28	1
137	CR6241-02-66	Selecting Dial		1
138	CR6241-02-81	Plate		1
139	CR6241-02-61	Wheel		1
140	CR6241-06-63	Pin		1
141	CR6241-06-63	Pin		1
142	GB879-86	Spring Pin	5×35	1
143	GB279-88	Ball Bearing	180104	1

# Saddle







No.	Part No.	Name	Specification	Qty.
1	GB818-85	Screw	M4×12	12
2	CR6241-03-28	Case-Wiper		1
3	CR6241-03-27	Wiper		1
4	CR6241-03-57	Sleeve		1
5	GB2089-80	Spring	1×5×18	1
6	CR6241-03-60	Adjust Screw (Flat Type)		3
7	CR6241-03-58	Round Pin		1
8	CR6241-03-26	Four Way Tool Post (Flat Type)		1
8	CR6241-03-77	Four Way Tool Post (T Type)		1
8	CR6241-03-78	Block-Tee (T Type)		1
9	GB83-88	Screw	M12×55	12
10	GB119-86	Pin (Flat Type)	D6×50	3
11	GB77-85	Screw (Flat Type)	M8×10	3
12	CR6241-03-63	Clamping Handle		1
13	CR6241-03-62	Clamping Handle		1
14	CR6241-03-61	Washer		1
15	GB301-84	Thrust Bearing	8104	1
16	CR6241-03-59	Sleeve (Flat Type)		1
17	CR6241-03-25	Tool Post Shaft (Flat Type)		1
17	CR6241-03-76	Tool Post Shaft (T Type)		1
18	GB77-85	Screw	M8×40	1
19	GB1155-79	Ball Cup	6	6
20	GB308-84	Steel Ball	1/4"	2
21	GB80-85	Screw	M8×10	2
22	CR6241-03-23	Compound Rest (Flat Type)		1
22	CR6241-03-75	Compound Rest (T Type)		1
23	CR6241-03-48	Nut (Metric)		1
23	CR6241-03-48Y	Nut (Inch)		1
24	CR6241-03-47	Screw-Compound Rest (Metric)		1
24	CR6241-03-47Y	Screw-Compound Rest (Inch)		1
25	GB80-85	Screw	M6×6	1
26	GB80-85	Screw	M5×8	1
27	GB879-86	Spring Pin	2×12	1
28	GB301-84	Thrust Bearing	8102	2
29	CR6241-03-49	Seat Compound Rest Screw		1
30	GB70-85	Screw	M6×20	2
31	CR6241-03-50	Nut		1
32	CR6241-03-51	Collar		1
33	CR6241-03-52	Dial-Compound Rest (Metric)		1
33	CR6241-03-52Y	Dial-Compound Rest (Inch)		1

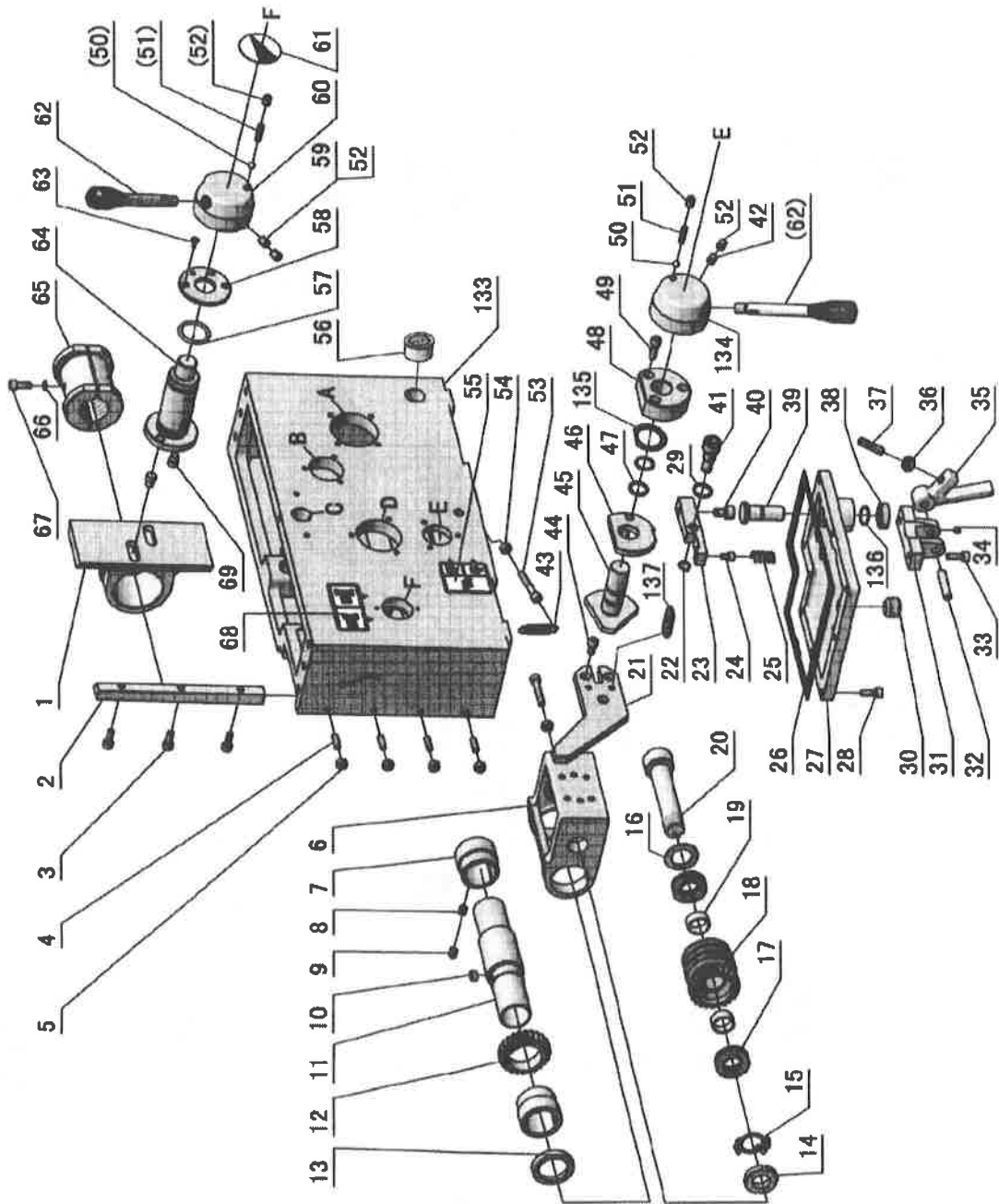
No.	Part No.	Name	Specification	Qty.
34	CR6241-03-54	Wave Type Washer		1
35	CR6241-03-53	Nut		1
36	CR6241-03-55	Handle		1
37	CR6241-03-56	Handle		1
38	GB70-85	Screw	M6×10	3
39	GB70-85	Screw	M10×60	1
40	CR6241-03-45	Screw		1
41	CR6241-03-24	Gib		1
42	GB70-85	Screw	M10×35	2
43	CR6246-03-22	Swivel Table		1
44	GB80-85	Screw	M6×10	2
45	CR6241-03-21	Case-Wiper		1
46	CR6241-03-20	Wiper		1
47	CR6241-03-44	Screw		4
48	CR6241-03-03	Indicator Dial		1
49	CR6241-03-46	Nut		3
50	CR6241-03-02	Cover-Cross Sliding		1
51	GB79-85	Screw	M8×20	1
52	GB70-85	Screw	M6×30	3
54	CR6241-03-17Y	Cross Feed Screw (Inch)		1
54	CR6241-03-17	Cross Feed Screw (Metric)		1
55	CR6241-03-04	Nut (Metric)		1
55	CR6241-03-04Y	Nut (Inch)		1
56	CR6241-03-19	Gib		1
57	CR6241-03-32	Gib		1
58	GB301-84	Thrust Bearing	8101	2
59	CR6241-03-05	Bracket		1
60	CR6241-03-33	Nut		1
61	CR6241-03-30	Cover		1
62	CR6241-03-41	Handle		1
63	GB70-85	Screw	M8×16	2
64	CR6241-03-40	Handle		1
65	CR6241-03-39	Nut		1
66	CR6241-03-37	Wave Type Washer		1
67	CR6241-03-18	Cross Feed Dial (Metric)		1
67	CR6241-03-18Y	Cross Feed Dial (Inch)		1
68	GB70-85	Screw	M8×60	2
69	GB827-86	Rivet	2×5	4
70	CR6241-05-28	Plate		2
71	SF-1	Bearing	1810	2

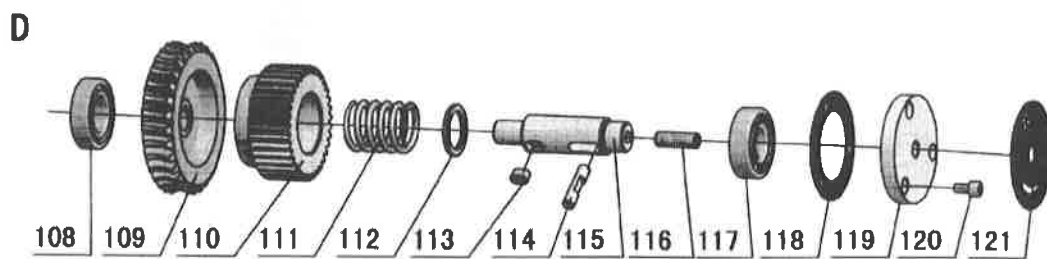
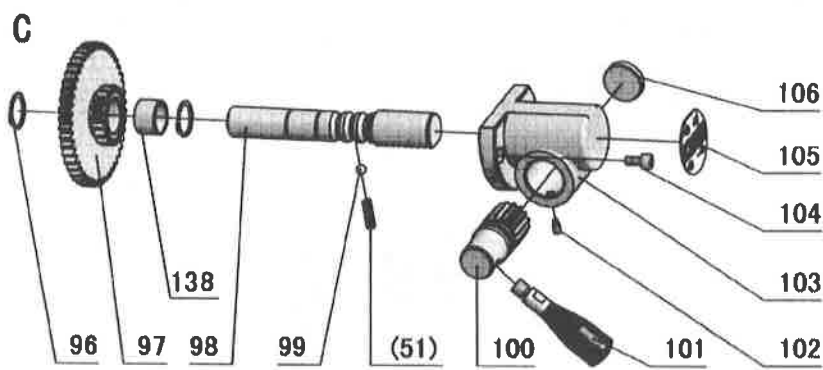
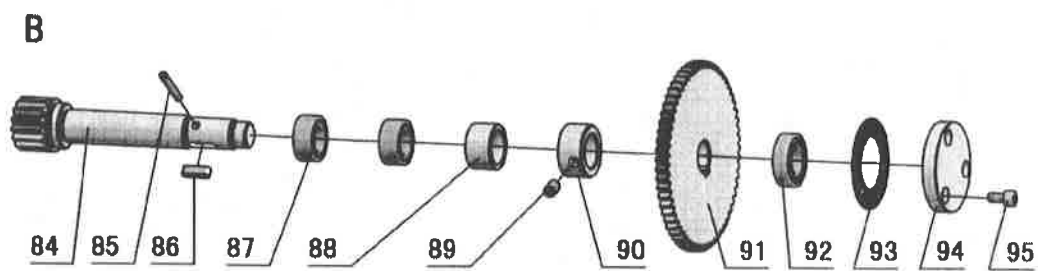
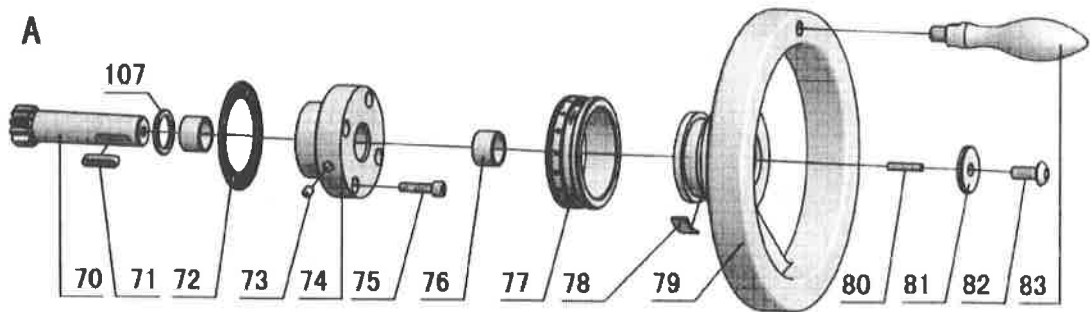


No.	Part No.	Name	Specification	Qty.
72	GB118-86	Taper Pin	6×26	2
73	GB70-85	Screw	M8×20	6
74	GB70-85	Screw	M10×55	4
75	GB118-86	Taper Pin	8×60	2
76	CR6241-03-11	Case-Wiper		2
77	CR6241-03-38	Clutch-Dial		1
78	GB80-85	Screw	M6×8	1
79	CR6241-03-09	Wiper		1
80	CR6241-03-74	Bolt		1
81	CR6241-03-36	Bracket		1
82	GB1155-79	Ball Cup	8	1
83	CR6241-03-08	Case-Wiper		2
84	CR6241-03-06	Wiper		1
85	CR6241-03-35	Cross Feed Pinion		1
86	CR6241-03-01	Saddle		1
87	CR6241-03-43	Plate		1
88	CR6241-03-42	Plug-Oil Inlet		1
89	CR6241-03-16	Gib-Front		1
90	CR6241-03-15	Gib-Left-Front		1
91	GB70-85	Screw	M6×20	1
92	CR6241-03-34	Clamp-Carriage		1
93	CR6241-03-10	Wiper		1
94	CR6241-03-12	Gib		1
95	GB70-85	Screw	M5×8	4
96	CR6241-03-14	Baffle		2
97	CR6241-03-13	Holder Gib		1
98	GB70-85	Screw	M8×30	4
99	CR6241-03-07	Wiper		1
100	CR6241-03-70	Oil Plug		1
101	GB1235-76	O-Ring	16×2.4	1
102	GB2089-80	Spring	0.5×4.5×16	1
103	GB308-84	Steel Ball	φ5	2
104	CR6241-03-64	Body Pump		1
105	CR6241-03-65	Piston Rod		1
106	GB3452.1-82	O-Ring	9×1.8	1
107	CR6241-03-66	Spring		1
108	GB1235-76	O-Ring	32×3.1	1
109	CR6241-03-67	Bottom Board		1
110	GB68-85	Screw	M5×10	2
111	CR6241-03-69	Plate		1

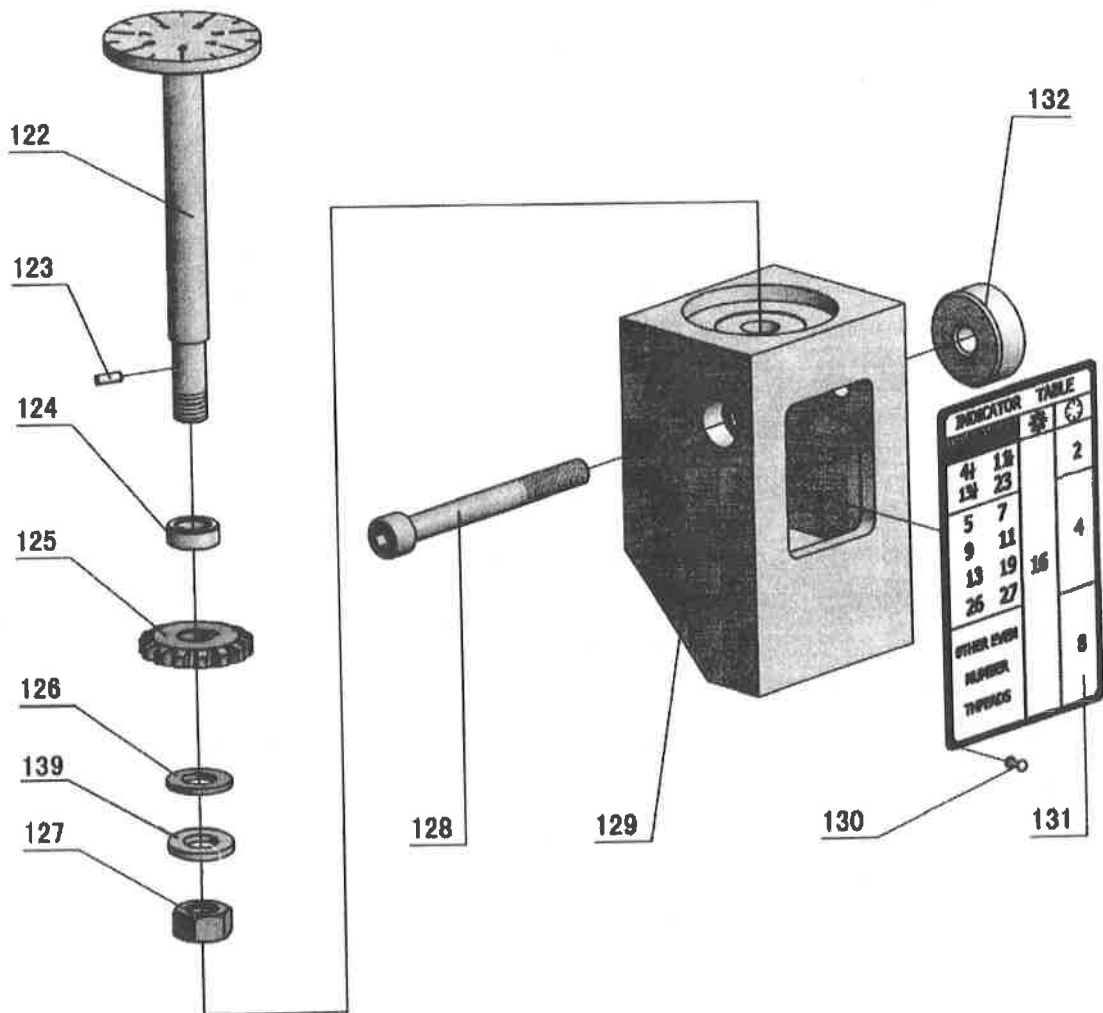
No.	Part No.	Name	Specification	Qty.
112	GB70-85	Screw	M5×12	2
113	CR6241-03-68	Plug		1
114	CR6241-03-31	Vitta welding		1
115		Tube Fitting	Z 1/8"×φ4	3
116		Tube Fitting	Z 1/8"×φ6	1
117		Brass Tube	φ6×170	1
118	CR6241-03-71	Tube Fitting		1
119	CR6241-03-72	Nut		1
120	CR6241-03-73-2	Sleeve		1
121	CR6241-03-73-1	One Way Valve Ass		1
122	GB818-85	Screw	M5×14	4
123	CR6241-03-29	Shaft		1
124	GB70.1-85	Washer	8	1

# Apron





I



No.	Part No.	Name	Specification	Qty.
1	CR6241-04-03R	Lead Nut Assy (Right Hand)		1
1	CR6241-04-03	Lead Nut Assy (Left Hand)		1
2	CR6241-04-02	Gib		1
3	GB70-85	Screw	M6×16	3
4	GB80-85	Screw	M6×20	4
5	GB6170-86	Nut	M6	4
6	CR6241-04-18	Seat-Worm		1
7	CR6241-04-15	Bushing		2
8	GB80-85	Screw	M8×10	2
9	GB77-85	Screw	M8×10	2
10	GB1096-79	Key	6×12	1
11	CR6241-04-16	Sleeve-Feed Rod		1
12	CR6241-04-17	Gear		1
13		Oil Seal	TC32×42×8	2
14	GB812-88	Nut	M20×1.5	1
15	GB858-88	Nut	20	1
16	CR6241-04-21	Washer		1
17	GB301-84	Thrust Bearing	8104	2
18	CR6241-04-20	Worm Gear		1
19	SF-1	Set	2010	2
20	CR6241-04-19	Shaft		1
21	CR6241-04-23R	Safe Device Block (Right Hand)		1
21	CR6241-04-23	Safe Device Block (Left Hand)		1
22	GB894.1-86	Snap Ring	10	1
23	CR6241-04-30	Lever		1
24	GB70-85	Screw	M5×8	1
25	CR6241-04-32	Spring		1
26	CR6241-04-11	Bottom Cover		1
27	CR6241-04-12	Sealed Mat		1
28	GB70-85	Screw	M6×16	9
29	JB982-77	Washer	12	1
30	G38-3A	Oil Plug	Z 3/8"	1
31	CR6241-04-13	Bracket		1
32	GB119-86	Pin	B8×40	1
33	GB70-85	Screw	M6×16	2
34	GB80-85	Screw	M6×6	1
35	CR6241-04-14	Lever		1
36	GB77-85	Screw	M8×30	1
37	GB6170-86	Nut	M8	1
38		Oil Seal	TC15×25×7	1

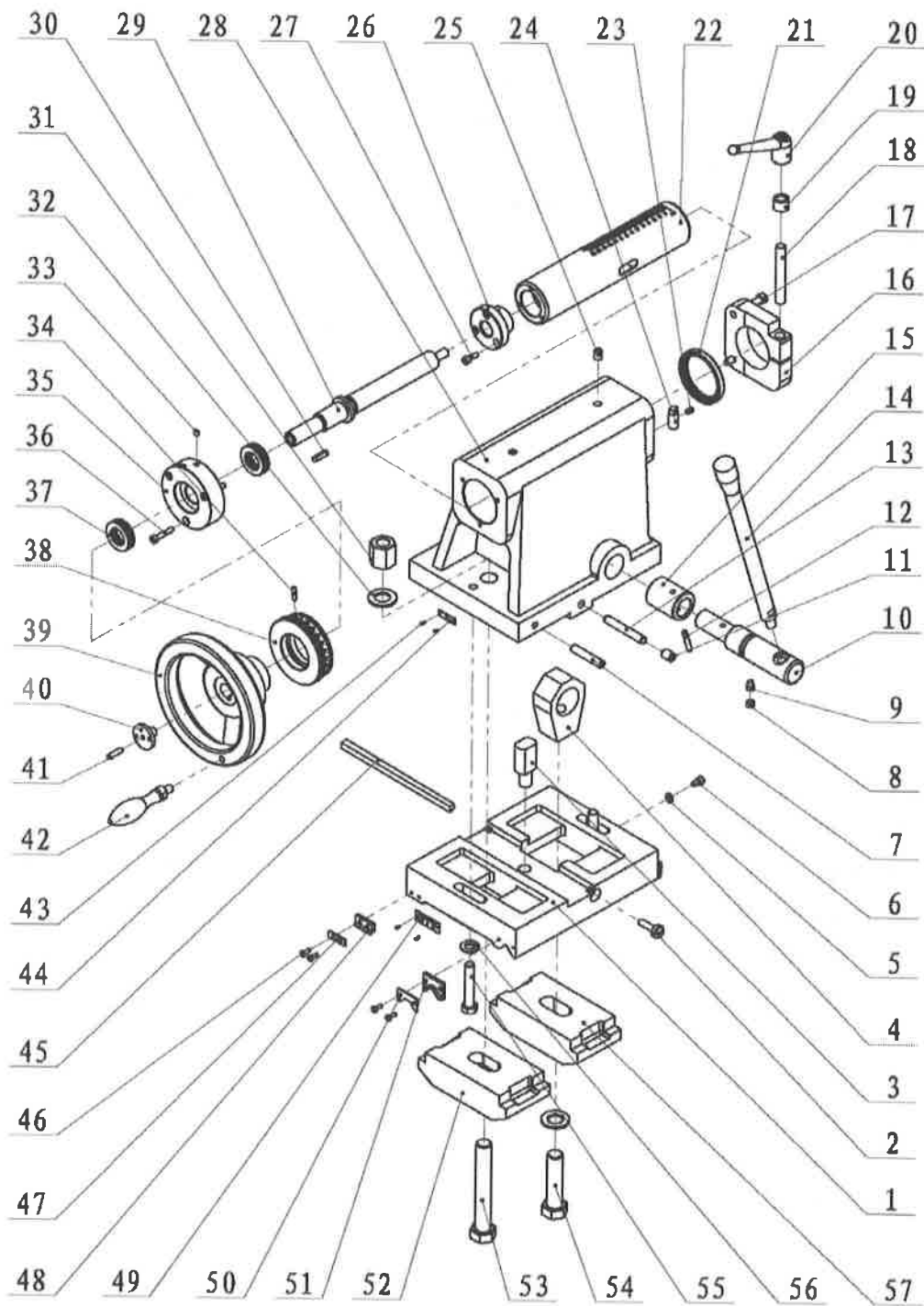
No.	Part No.	Name	Specification	Qty.
39	CR6241-04-10	Pin		1
40	GB70-85	Screw	M8×12	1
41	CR6241-04-31	Screw		1
42	GB80-85	Screw	M8×10	1
43	CR6241-04-22	Spring		1
44	GB70-85	Screw	M6×12	3
45	CR6241-04-25R	Shaft (Right Hand)		1
45	CR6241-04-25	Shaft (Left Hand)		1
46	CR6241-04-26R	Buffer (Right Hand)		1
46	CR6241-04-26	Buffer (Left Hand)		1
47	GB1235-76	O-Ring	20×2.4	2
48	CR6241-04-27	Sleeve		1
49	GB70-85	Screw	M6×20	3
50	GB308-84	Steel Ball	1/4"	2
51	CR6241-01-82	Spring		3
52	GB77-85	Screw	M8×10	4
53	GB70-85	Screw	M6×35	2
54	GB6170-86	Nut	M6	2
55	CR6241-04-71R	Knob (Right Hand)		1
55	CR6241-04-71	Knob (Left Hand)		1
56	GB1160.2-89	Oil Sight	A20	1
57	GB1235-76	O-Ring	32×3.5	2
58	CR6241-04-08	Washer		1
59	GB80-85	Screw	M8×10	1
60	CR6241-04-07R	Shaft Sleeve (Right Hand)		1
60	CR6241-04-07	Shaft Sleeve (Left Hand)		1
61	CR6241-01-100	Plate		1
62	CR6241-04-09	Lever		2
63	GB819-85	Screw	M4×10	2
64	CR6241-04-06R	Shaft (Right Hand)		1
64	CR6241-04-06	Shaft (Left Hand)		1
65	CR6241-04-04	Haft Nut (Metric)		1
65	CR6241-04-04Y	Haft Nut (Inch)		1
66	GB93-87	Spring Pin	6	2
67	GB70-85	Screw	M6×20	2
68	CR6241-04-70R	Plate (Right Hand)		1
68	CR6241-04-70	Plate (Left Hand)		1
69	CR6241-04-05	Key		2
70	CR6241-04-53	Shaft		1
71	GB1096-79	Key	6×25	1

No.	Part No.	Name	Specification	Qty.
72	CR6241-04-55	Sealed Mat		1
73	GB1155-89	Ball Cup	6	1
74	CR6241-04-54	Seat		1
75	GB70-85	Screw	M6×25	4
76	SF-1	Bearing	2010	2
77	CR6241-04-57	Dial-Rack (Metric)		1
77	CR6241-04-57Y	Dial-Rack (Inch)		1
78	Q67-4-33	Spring	80	1
79	CR6241-04-58	Hand Wheel		1
80	GB80-85	Screw	M4×20	1
81	CR6241-04-60	Washer		1
82	CR6241-01-97	Screw		1
83	CR6241-04-59	Handle		1
84	CR6241-04-48	Pinon		1
85	GB879-86	Pin	5×35	1
86	GB1096-79	Key	6×20	1
87	GB5801-86	Needle Bearing	4644903	2
88	CR6241-04-56	Sleeve		1
89	GB80-85	Screw	M8×12	1
90	CR6241-04-49	Spacer		1
91	CR6241-04-50	Gear		1
92	GB278-89	Ball Bearing	80103	1
93	CR6241-04-52	Sealed Mat		1
94	CR6241-04-51	Cover		1
95	GB70-85	Screw	M6×12	3
96	GB894.1-86	Snap Ring	20	2
97	CR6241-04-41	Gear		1
98	CR6241-04-42	Shaft		1
99	GB308-84	Steel Ball	7/32"	1
100	CR6241-04-45	Change Gear		1
101	CR6241-04-46	Handle Lever		1
102	GB79-85	Screw	M5×10	1
103	CR6241-04-43	Change Sleeve		1
104	GB70-85	Screw	M6×12	2
105	CR6241-04-72	Plate		1
106	CR6241-04-44	Plug		1
107	CR6241-04-74	Washer		1
108	GB279-88	Ball Bearing	180105	1
109	CR6241-04-33	Worm Gear		1
110	CR6241-04-34	Gear		1



No.	Part No.	Name	Specification	Qty.
111	CR6241-04-37	Spring		1
112	CR6241-04-38	Spacer		1
113	GB1096-79	Key	8×12	1
114	CR6241-04-36	Pin		1
115	CR6241-04-35	Cover		1
116	GB77-85	Screw	M10×30	1
117	GB278-89	Ball Bearing	80204	1
118	CR6241-04-40	Sealed Mat		1
119	CR6241-04-39	Cover		1
120	GB70-85	Screw	M6×12	3
121	CR6241-04-69	Plate		1
122	CR6241-04-62	Dial Indicator Shaft (Metric)		1
122	CR6241-04-62Y	Dial Indicator Shaft (Inch)		1
123	GB879-86	Pin	3×8	1
124	CR6241-04-47	Spacer		1
125	CR6241-04-63	Gear (Metric)		1
125	CR6241-04-64	Gear (Metric)		1
125	CR6241-04-65	Gear (Metric)		1
125	CR6241-04-64Y	Gear (Inch)		1
125	CR6241-04-66	Gear (Metric)		1
125	CR6241-04-67	Gear (Metric)		1
126	GB97.2-85	Washer	10	1
127	GB6170-86	Nut	M10	1
128	GB70-85	Screw	M8×85	1
129	CR6241-04-61	Thread Dial Body		1
130	GB827-86	Rivet	2×5	15
131	CR6241-04-68	Indicator Dial (Metric)		1
131	CR6241-04-68Y	Indicator Dial (Inch)		1
132	CR6241-04-24	Spacer		1
133	CR6241-04-01R	Apron (Right Hand)		1
133	CR6241-04-01	Apron (Left Hand)		1
134	CR6241-04-29R	Hub (Right Hand)		1
134	CR6241-04-29	Hub (Left Hand)		1
135	CR6241-04-28	Sealed Mat		1
136	GB3452.1-82	O-Ring	11.8×1.8	1
137	GB879-86	Pin	5×16	2
138	SF-1	Bearing	2020	1
139	GB93-87	Spring Pin	10	1

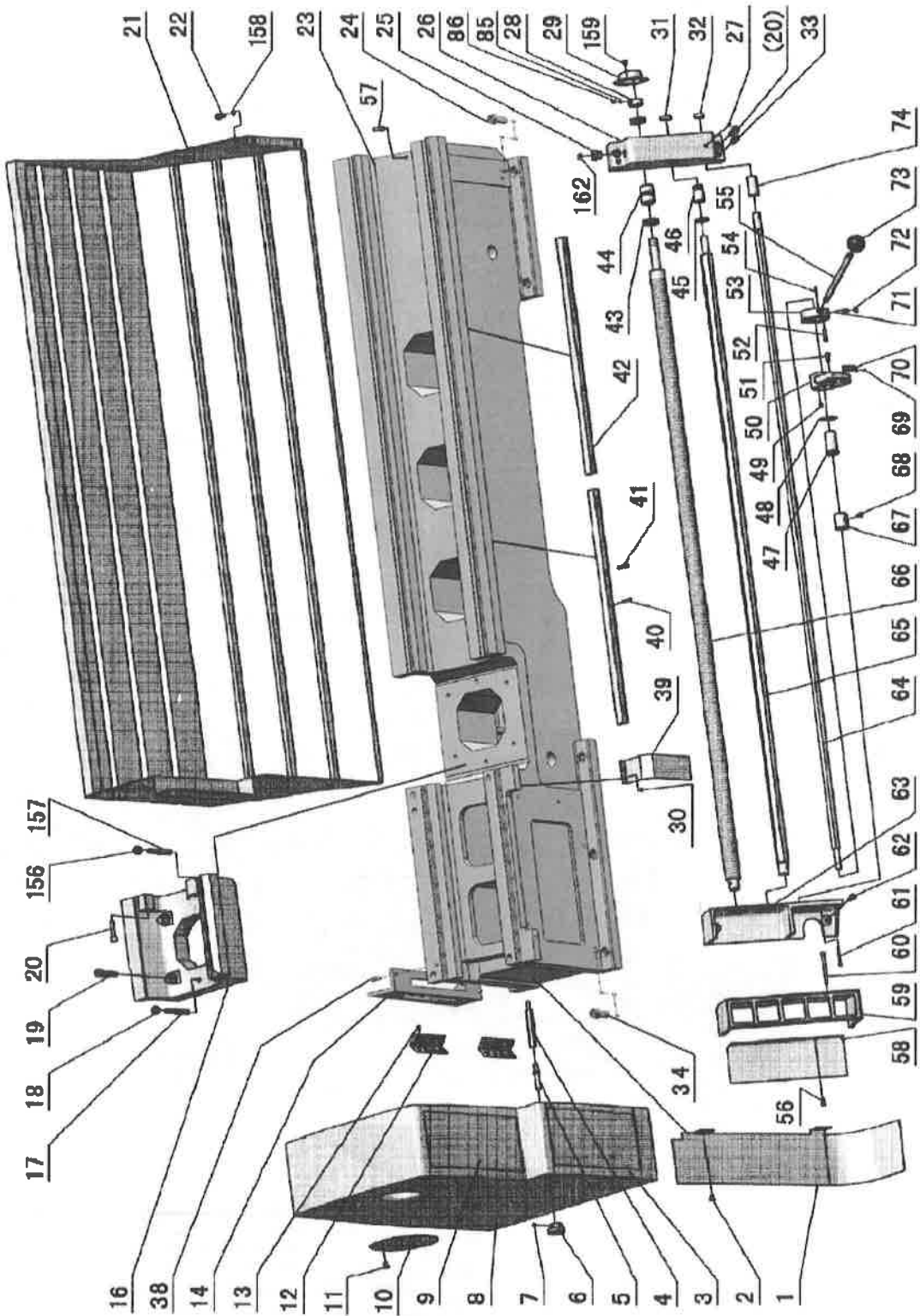
# Tailstock

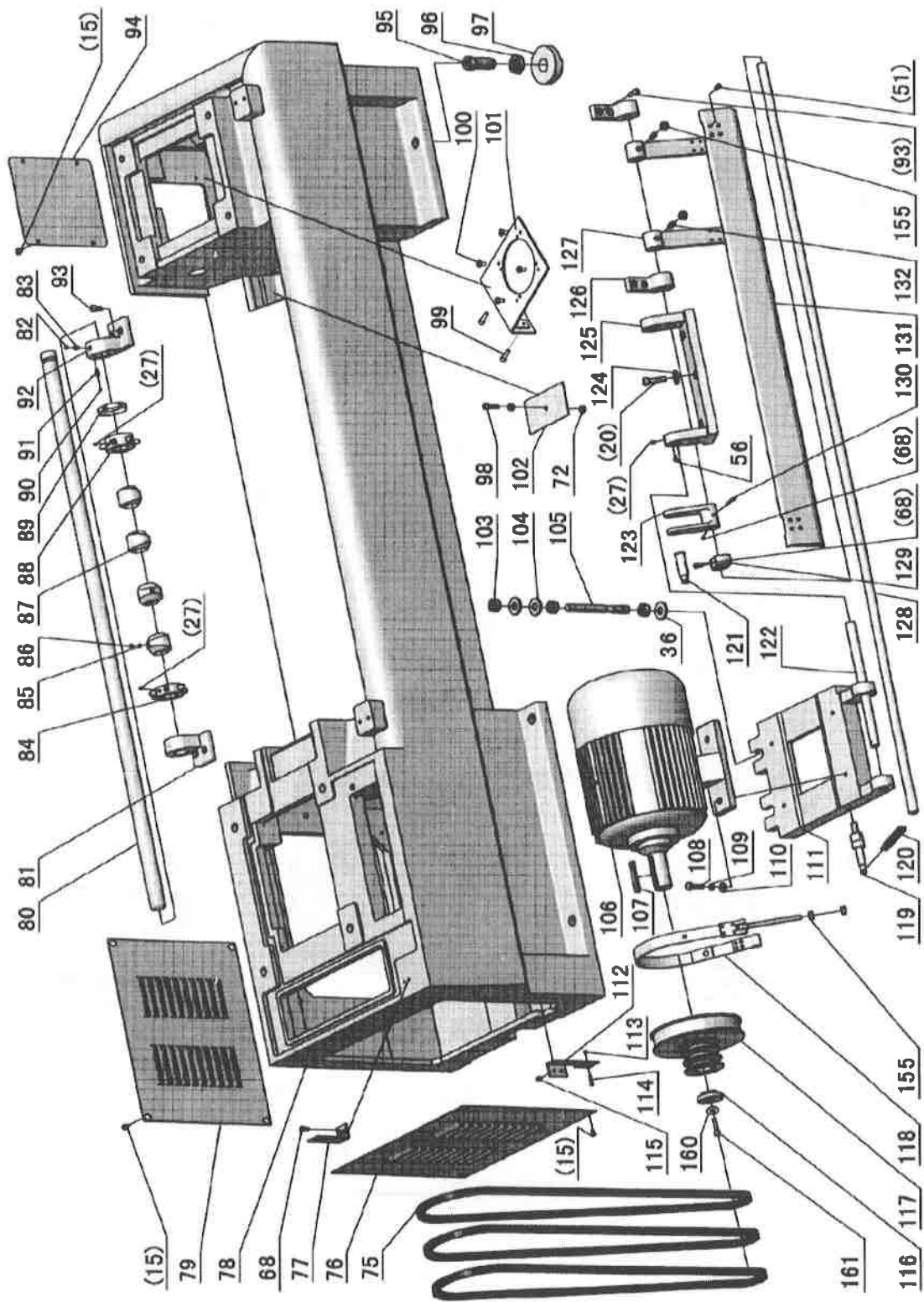


No.	Part No.	Name	Specification	Qty.
1	CR6246-05-19	Bottom Tailstock		1
2	CR6241-05-25	Screw		2
3	CR6241-05-23	Block-Adjusting		1
4	CR6241-05-24	Bracket		1
5	GB/T97.1-1985	Washer	6	1
6	GB/T70.1-2000	Screw	M6×10	1
7	CR6241-05-22	Screw-Brake		1
8	GB/T77-2000	Screw	M10×8	1
9	GB/T79-2000	Screw	M10×12	1
10	CR6241-05-04	Shaft		1
11	GB/T80-2000	Screw	M12×16	2
12	GB879-86	Spring Pin	6×36	1
13	GB119-86	Pin Shaft	10×70	2
14	CR6241-05-21	Lead Screw		1
15	CR6241-05-26	Eccentric Block		1
16	CR6241-05-02A	Locking Block		1
17	GB/T70.1-2000	Screw	M8×25	2
18	CR6241-05-04A	Screw Bolt		1
19	CR6241-05-03A	Washer		1
20	HY8310.12-1	Adjustable Fixed Handle	A-M12×95	1
21	GB/T13871-1992	Oil-Seal	TC60×75×9	1
22	CR6241-05-05A	Tailstock Sleeve		1
23	GB/T80-2000	Screw	M6×10	1
24	CR6241-05-27	Pin Shaft		1
25	GB1155-89	Ball Cup	10	2
26	CR6241-05-06	Feed Nut (Metric)		1
26	CR6241-05-06Y	Feed Nut (Inch)		1
27	GB/T70.1-2000	Screw	M6×16	3
28	CR6241-05-01A	Tailstock Body		1
29	CR6241-05-07	Feed Screw (Metric)		1
29	CR6241-05-07Y	Feed Screw (Inch)		1
30	GB1096-79	Key	6×25	1
31	GB/T56-1988	Nut	M20	1
32	GB/T97.1-1985	Washer	20	2
33	GB1155-89	Ball Cup	6	1
34	GB/T80-2000	Screw	M5×20	1
35	CR6241-05-08	Cap-Body End (Metric)		1
35	CR6241-05-08Y	Cap-Body End (Inch)		1
36	GB/T70.1-2000	Screw	M6×30	3
37	GB/T301-1995	Thrust Bearing	51105	2

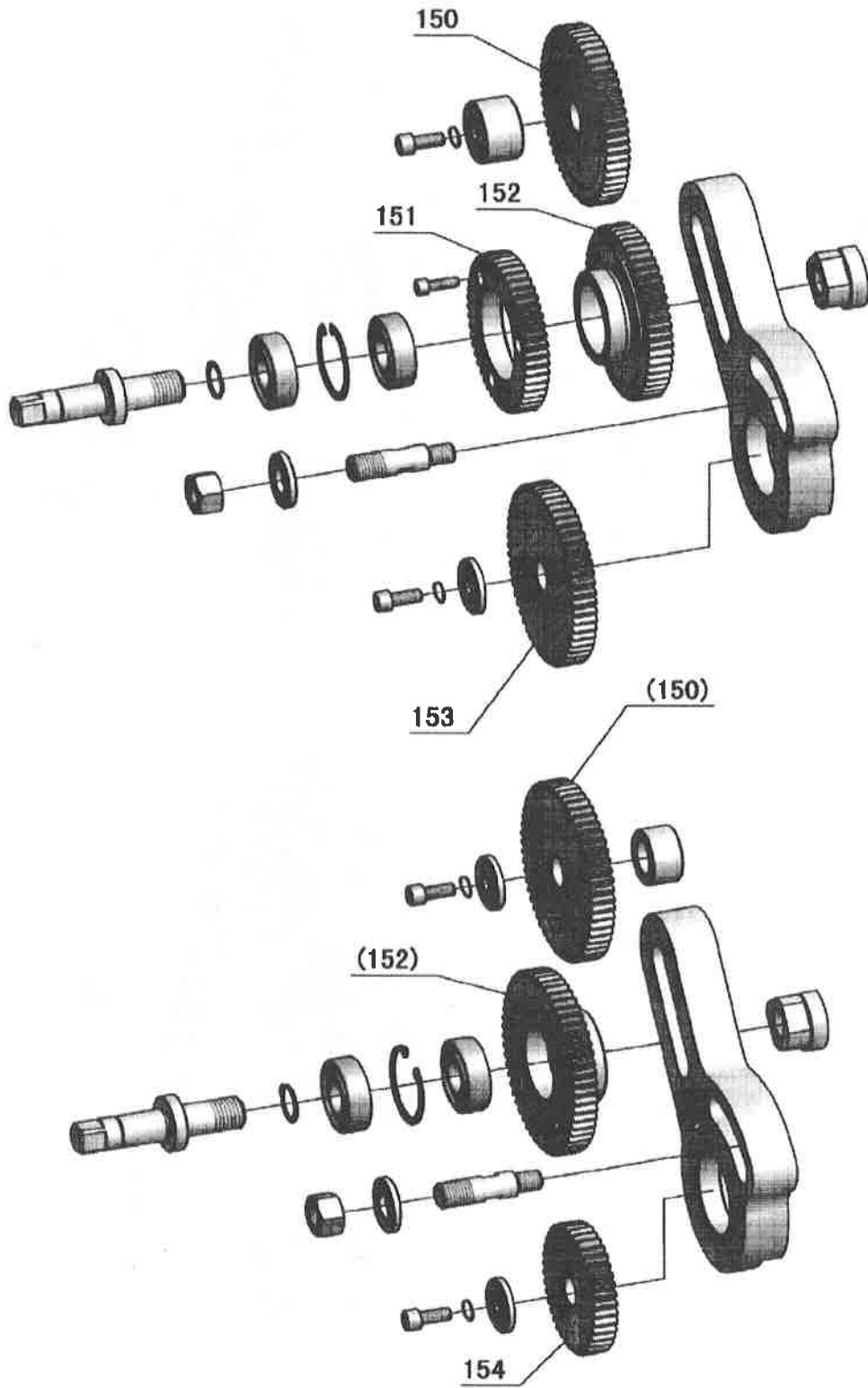
No.	Part No.	Name	Specification	Qty.
38	CR6241-05-09	Dial-Feed (Metric)		1
38	CR6241-05-09Y	Dial-Feed (Inch)		1
39	CR6241-05-10	Handle Wheel		1
40	CR6241-05-11	Lock Nut		1
41	GB/T80-2000	Screw	M6×25	1
42	CR6241-04-59	Handle		1
43	GB/T827-1986	Rivet	2×5	4
44	CR6241-05-28	Plate		1
45	CR6241-05-12	Taper Gib Strip		1
46	GB/T818-2000	Cross Recessed Head Screw	M4×12	8
47	CR6241-05-13	Case-Wiper		2
48	CR6241-05-14	Wiper		2
49	CR6241-05-29	Plate		1
50	CR6241-05-15	Case-Wiper		2
51	CR6241-05-16	Wiper		2
52	CR6241-05-18	Brake Block		1
53	GB/T5782-2000	Bolt	M20×160	1
54	GB/T5782-2000	Screw	M20×110	1
55	GB/T5782-2000	Screw	M12×90	2
56	GB/T95-1985	Washer	12	2
57	CR6241-05-17	Brake Block		1

# Bed Assembly

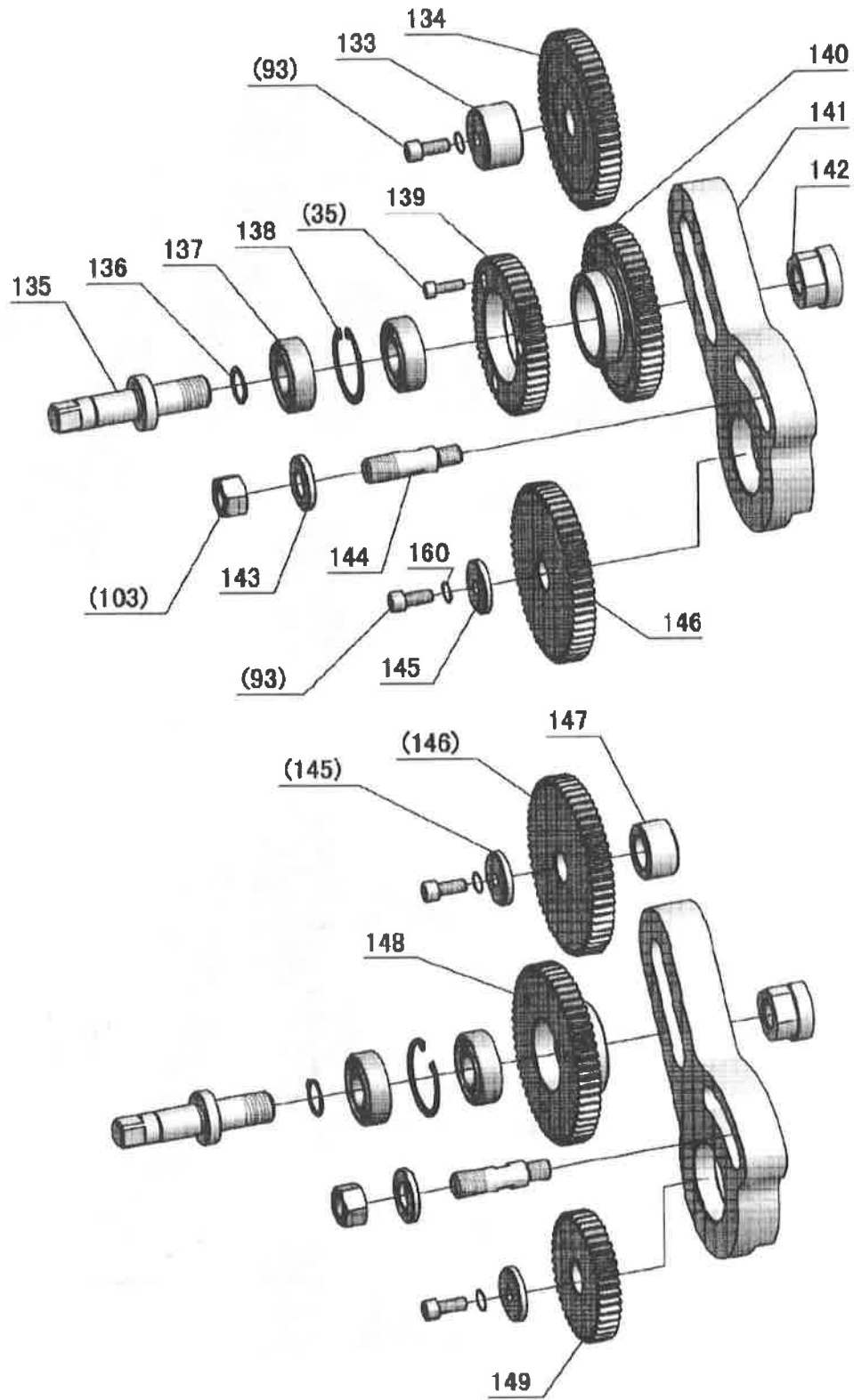




( Inch )



( Metric )





No.	Part No.	Name	Specification	Qty.
1	CR6241-08-22	Oil Guard		1
2	GB70-85	Screw	M6×10	2
3	CR6241-08-21	Plate		1
4	CR6241-08-20	Bolt		1
5	CR6241-08-18	Screw		1
6	CR6241-08-17	Nut		1
7	GB80-85	Screw	M6×8	1
8	CR6246B-08-01	Cover-End		1
9	CR6246-08-14	Plate (Metric)		1
9	CR6241-08-14Y	Plate (Inch)		1
10	CR6241-08-23	Cover		1
11	GB/T70.2-2000	Screw	M6×10	1
12	GB7277-87	Hinge	100	2
13	GB68-85	Screw	M5×10	12
14	CR6241A-06-07	Heel Block		1
14	GB70-85	Screw	M6×25	2
14	CR6241A-06-06	Stand		1
15	GB818-85	Screw	M6×10	12
16	CR6241A-06-02	Saddle		1
17	GB118-86	Pin	10×70	2
18	GB73-85	Screw	M6×10	2
19	GB70-85	Screw	M12×50	4
20	GB70-85	Screw	M10×40	7
21	CR6241A-06-05	Guard Assembly 1000		1
21	CR6241A-06-05-1	Guard Assembly 1500		1
21	CR6241A-06-05-2	Guard Assembly 2000		1
22	GB70-85	Screw	M8×16	4
23	CR6241A-06-01	Bed 1000		1
23	CR6241A-06-01-1	Bed 1500		1
23	CR6241A-06-01-2	Bed 2000		1
24	GB70-85	Screw	M16×40	4
25	CR6241-06-21	Plug-Oil Inlet		1
26	CR6241-06-18	Bracket		1
27	GB80-85	Screw	M6×8	4
28	CR6241-06-15	Nut		1
29	CR6241-06-70	Cover		1
30	GB818-85	Screw	M5×8	2
31	CR6241-06-19	Plug		1
32	CR6241-06-20	Plug		1
33	GB118-86	Taper Pin	8×50	2

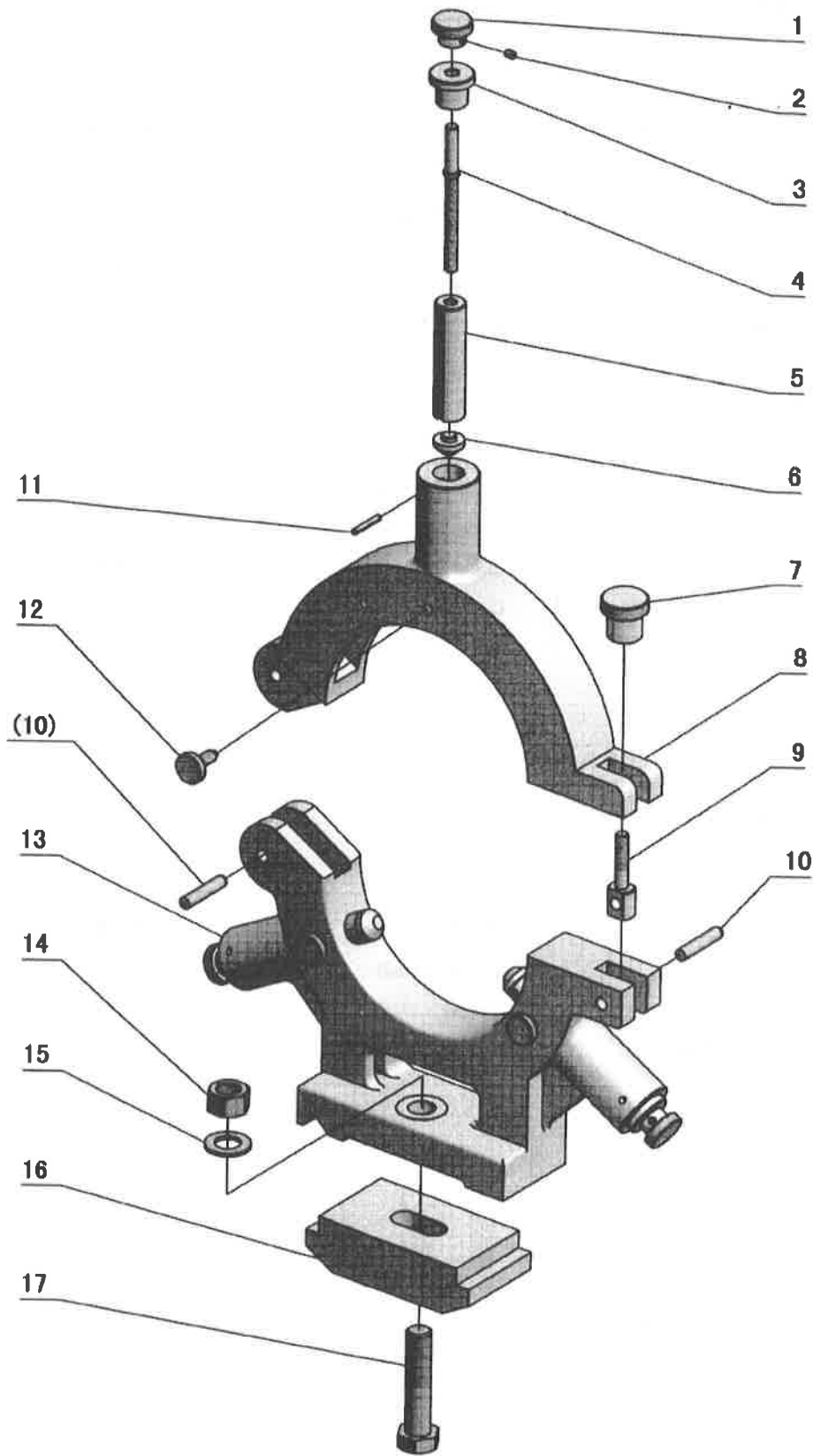
No.	Part No.	Name	Specification	Qty.
34	GB70-85	Screw	M16×40	6
35	GB70-85	Screw	M6×20	3
36	GB93-86	Spring Washer	16	2
38	GB70-85	Screw	M8×20	2
39	CR6241-06-17	Protection Cover		1
40	GB879-86	Spring Pin	5×30	6
41	GB70-85	Screw	M6×25	10
42	CR6241-06-12A	Rack		1
42	CR6241-06-12B	Rack		1
42	CR6241-06-13	Rack (Left Hand)		1
43	GB301-84	Thrust Bearing	8104	2
44	CR6241-06-22	Sleeve		1
45	CR6241-06-23	Spacer		1
46	CR6241-06-16	Bush		1
47	CR6241-06-55	Shaft Sleeve		1
48	CR6241-06-57	Washer		1
49	Q81-1	Spring	1×6×20	3
50	CR6241-06-58	Switch Bracket		1
51	GB70-85	Screw	M6×16	10
52	CR6241-06-54	Pin		1
53	CR6241-06-53	Bracket		1
54	GB879-86	Spring Pin	3×20	1
55	CR6241-06-56	Lever		1
56	GB70-85	Screw	M5×8	3
57	GB878-86	Pin	M12×50	1
58	CR6241-06-05	Cover		1
59	CR6251T-06-10	Seat-Pilot Light		1
60	GB70-85	Screw	M6×70	2
61	GB70-85	Screw	M4×40	2
62	GB70-85	Screw	M8×25	2
63	CR6241A-06-04	Seat-Switch		1
64	CR6241A-06-11	Started Rod 1000		1
64	CR6241A-06-11-1	Started Rod 1500		1
64	CR6241A-06-11-2	Started Rod 2000		1
65	CR6241A-06-10	Feed Rod 1000		1
65	CR6241A-06-10-1	Feed Rod 1500		1
65	CR6241A-06-10-2	Feed Rod 2000		1
66	CR6241A-06-09Y	Lead Screw 1000 ( Inch )		1
66	CR6241A-06-09	Lead Screw 1000 ( Metric )		1
66	CR6241A-06-09-1Y	Lead Screw 1500 ( Inch )		1

No.	Part No.	Name	Specification	Qty.
66	CR6241A-06-09-1	Lead Screw 1500 ( Metric )		1
66	CR6241A-06-09-2Y	Lead Screw 2000 ( Inch )		1
66	CR624A1-06-09-2	Lead Screw 2000 ( Metric )		1
67	CR6241-06-68	Cam		1
68	GB70-85	Screw	M6×12	5
69	GB827-86	Rivet	2×5	12
70	CR6241-06-64	Plate		1
71	GB79-85	Screw	M8×30	2
72	GB6170-86	Nut	M8	4
73	Z16-1	Lever Bush	M12×40	1
74	CR6241-06-26	Bush		1
75	7.5HP/60HZ	Belt	B74"	3
75	7.5HP/50HZ	Belt	B75"	3
76	CR6241A-06-08A	Cover Motor Seat		1
77	CR6241-08-19	Limited Switch Seat		1
78	CR6241A-06-03A	Stand 1000		1
78	CR6241A-06-03-1A	Stand 1500		1
78	CR6241A-06-03-2A	Stand 2000		1
79	CR6241-06-36	Cover Motor Seat		1
80	CR6241A-06-12	Auto Stopping Shaft 1000		1
80	CR6251-06-20-1	Auto Stopping Shaft 1500		1
80	CR6251-06-20-2	Auto Stopping Shaft 2000		1
81	CR6241-06-06	Bracket		1
82	GB77-85	Screw	M8×6	1
83	GB79-85	Screw	M8×12	1
84	CR6241-06-30	Star Type Ring		1
85	CR6241-06-34	Shoe Clamp		5
86	GB77-85	Screw	M8×6	5
87	CR6241-06-33	Cam		4
88	CR6241-06-31	Star Type Ring		1
89	CR6241-06-32	Plate		1
90	GB308-84	Steel Ball	6	1
91	Q81-1	Spring	0.9×5×25	1
92	CR6241-06-07	Bracket		1
93	GB70-85	Screw	M8×20	10
94	CR6241-06-38	Pump Hole Cover		1
95	CR6241-06-37	Bolt		6
96	GB6173-86	Nut	M24×2	6
97	CR6241-06-59	Block-Leveling		6
98	GB70-85	Screw	M8×30	1

No.	Part No.	Name	Specification	Qty.
99	GB70-85	Screw	M6×25	2
100	GB818-85	Screw	M6×10	4
101	CR6241-06-65	Coolant Pump Seat		1
102	CR6241-06-52	Screen		1
103	GB6170-86	Nut	M16	7
104	CR6241-06-62	Washer		4
105	CR6241-06-49	Screw		2
106		Motor	5.5kw	1
107	GB1096C-79	Key	10×70	1
108	GB5782-86	Bolt	M10×35	4
109	GB93-87	Spring Washer	10	4
110	GB97.1-85	Washer	10	4
111	CR6241-06-39	Motor Seat		1
112	CR6241-06-66	Limited Switch Seat		1
113	GB6170-86	Nut	M4	2
114	GB818-85	Screw	M4×35	2
115	GB70-85	Screw	M5×10	2
116	CR6241-06-09	Washer		1
117	CR6241-06-08-1	Belt Pulley	60Hz	1
117	CR6241-06-08	Belt Pulley	50Hz	1
118	CR6241-06-50	Belt-Brake		1
119	CR6241-06-51	Shaft		1
120	Q81-3	Spring	3×16×115	1
121	CR6241-06-42	Shaft		1
122	CR6241-06-47	Shaft		1
123	CR6241-06-43	Arm Brake		1
124	CR6241-06-67	Washer		3
125	CR6241-06-45	Bracket-Motor Seat		1
126	CR6241-06-40	Bracket		2
127	CR6241-06-46	Arm		2
128	CR6241A-06-13	Shaft 1000		1
128	CR6241A-06-13-1	Shaft 1500		1
128	CR6241A-06-13-2	Shaft 2000		1
129	CR6241-06-41	Cam		1
130	GB879-86	Spring Pin	5×40	1
131	CR6241-06-44	Pedal-Bracket 1000		1
131	CR6241-06-44-1	Pedal-Bracket 1500		1
131	CR6241-06-44-2	Pedal-Bracket 2000		1
132	GB79-85	Screw	M10×25	2
133	CR6241-08-02	Spacer		1

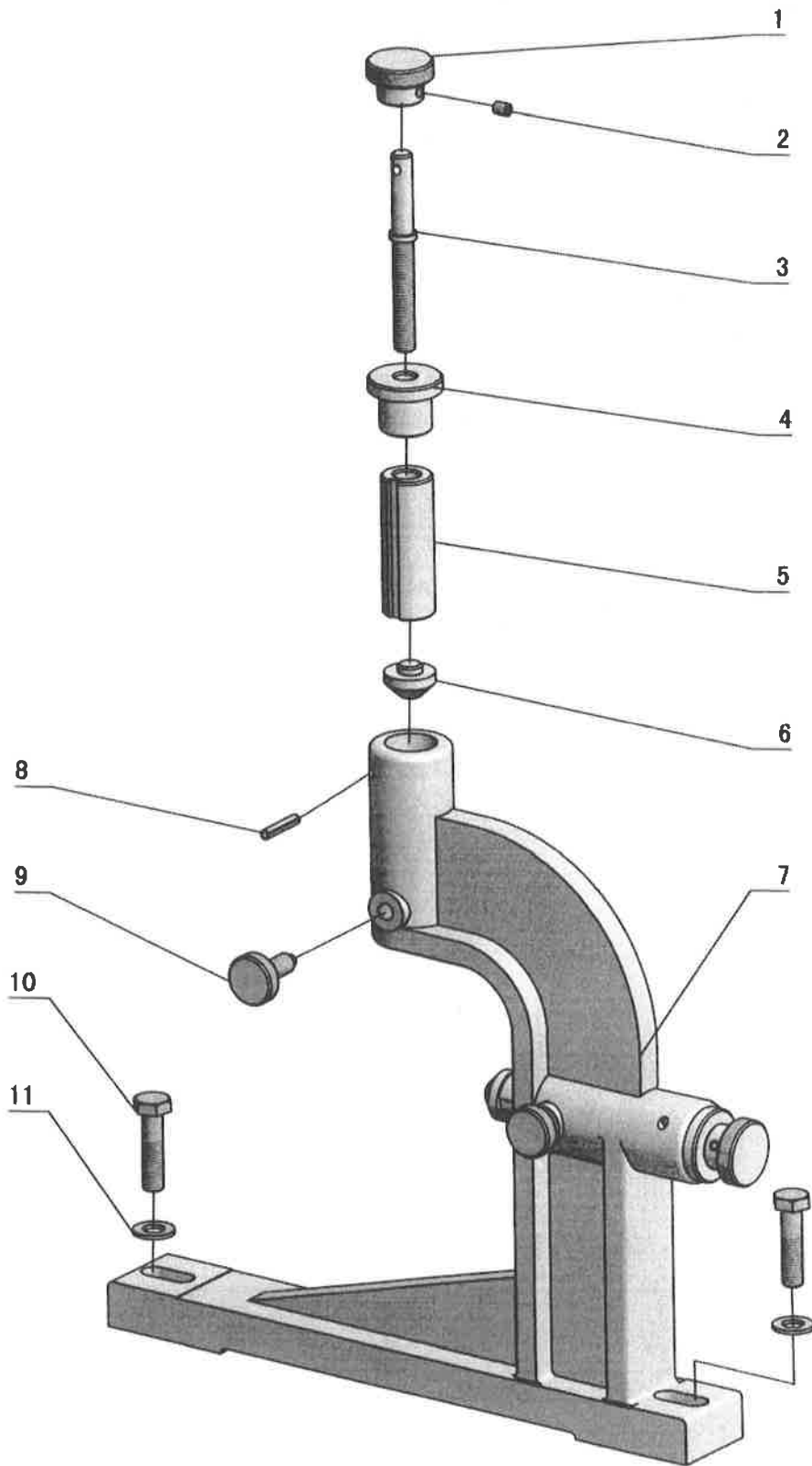
No.	Part No.	Name	Specification	Qty.
134	CR6241-08-01	Gear (Metric)	55T×M2	1
135	CR6241-08-04	Bolt		1
136	GB894.1-86	Snap Ring	20	1
137	GB279-88	Ball Bearing	180204	2
138	GB893.1-86	Snap Ring	47	1
139	CR6241-08-03	Gear (Metric)	49T×M2	1
140	CR6241-08-06	Gear (Metric)	54T×M2	1
141	CR6241-08-09	Bracket		1
142	CR6241-08-05	Nut		1
143	CR6241-08-13	Washer		1
144	CR6241-08-16	Bolt		1
145	CR6241-08-07	Spacer		1
146	CR6241-08-08	Gear (Metric)	56T×M2	1
147	CR6241-08-12	Spacer		1
148	CR6246-08-10	Gear (Metric)	64T×M2	1
149	CR6241-08-11	Gear (Metric)	40T×M2	1
150	CR6241-08-23Y	Gear (Inch)	48T×M2	1
151	CR6241-08-24Y	Gear (Inch)	66T×M2	1
152	CR6241-08-10	Gear (Inch)	57T×M2	1
153	CR6241-08-25Y	Gear (Inch)	42T×M2	1
154	CR6241-08-26Y	Gear (Inch)	57T×M2	1
155	GB6170-86	Nut	M10	4
156	GB73-85	Screw	M5×8	2
157	GB118-86	Pin	8×40	2
158	GB97.1-85	Washer	8	4
159	GB70-85	Screw	M4×8	2
160	GB93-87	Spring Washer	8	3
161	GB70-85	Screw	M8×40	1
162	CR6241-06-24	Plate		1

# Steady Rest



No.	Part No.	Name	Specification	Qty.
1	CR6241-10-12	Rotate Handle		3
2	GB78-85	Screw	M6×8	3
3	CR6241-10-06	Bush		3
4	CR6241-10-04	Screw Shaft		3
5	CR6241-10-05	Sleeve		3
6	CR6241-10-13	Bracket		1
7	CR6241-10-08	Handle		1
8	CR6241-10-02	Upside of Steady Rest		1
9	CR6241-10-07	Clamping Screw		1
10	GB119-86	Pin	10×50	1
11	GB879-86	Spring Pin	5×32	3
12	CR6241-10-11	Limited Screw		3
13	CR6241-10-01	Downside of Steady Rest	CR6241	1
13	CR6246-10-01	Downside of Steady Rest	CR6246	1
14	GB6170-86	Nut	M20	1
15	GB97.1-85	Washer	20	1
16	CR6241-10-14	Clamping Bracket		1
17	GB5780-86	Bolt	M20×90	1

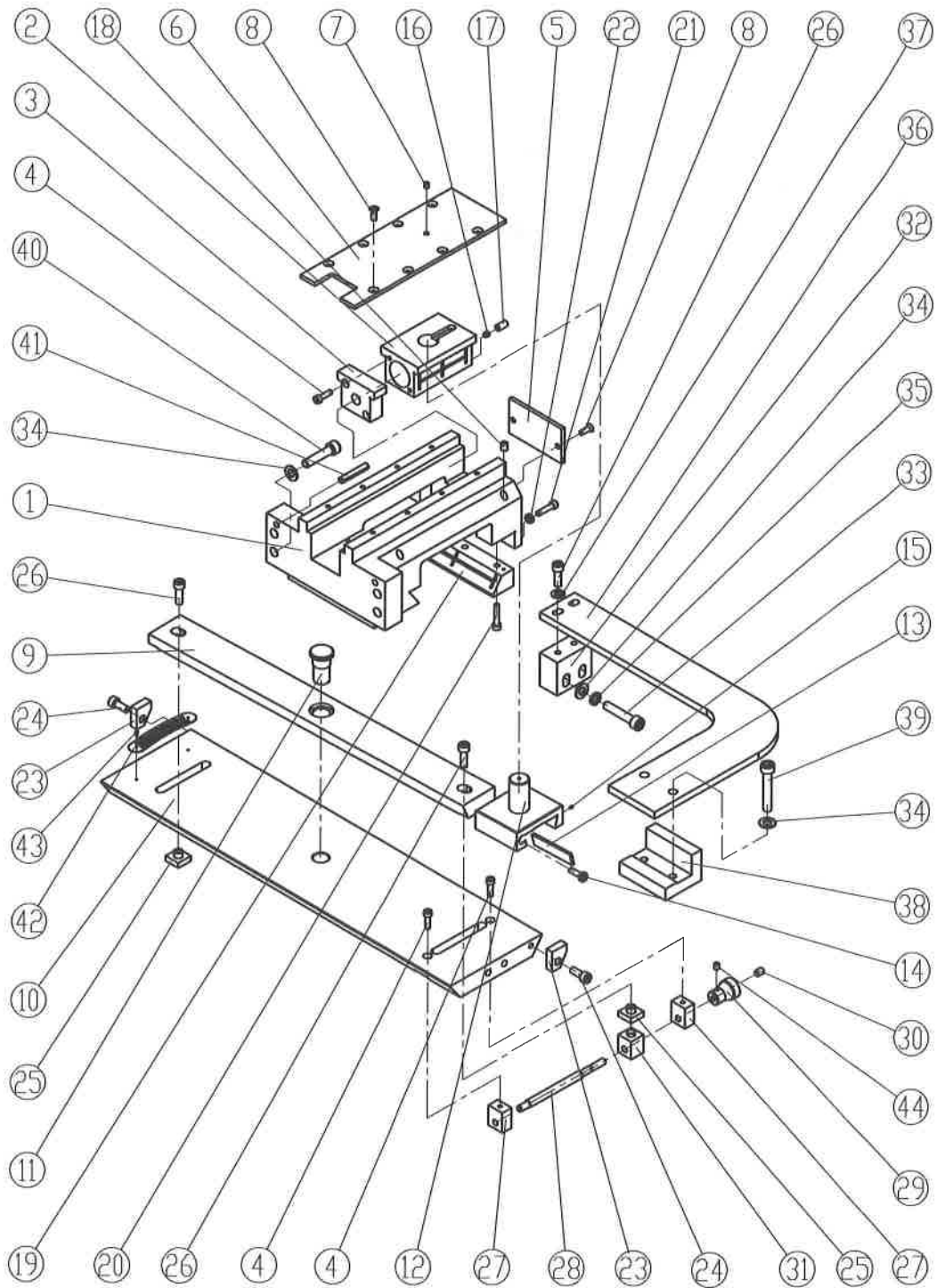
# Follow Rest





No.	Part No.	Name	Specification	Qty.
1	CR6241-10-12	Rotate Handle		2
2	GB78-85	Screw	M6×8	2
3	CR6241-10-09	Screw Shaft		2
4	CR6241-10-06	Bush		2
5	CR6241-10-10	Sleeve		2
6	CR6241-10-13	Bracket		2
7	CR6241-10-03	Follow Rest (CR6241)		1
7	CR6246-10-03	Follow Rest (CR6246)		1
8	GB879-86	Spring Pin	5×26	2
9	CR6241-10-11	Limited Screw		2
10	GB5782-86	Bolt	M10×40	2
11	GB97.1-85	Washer		2

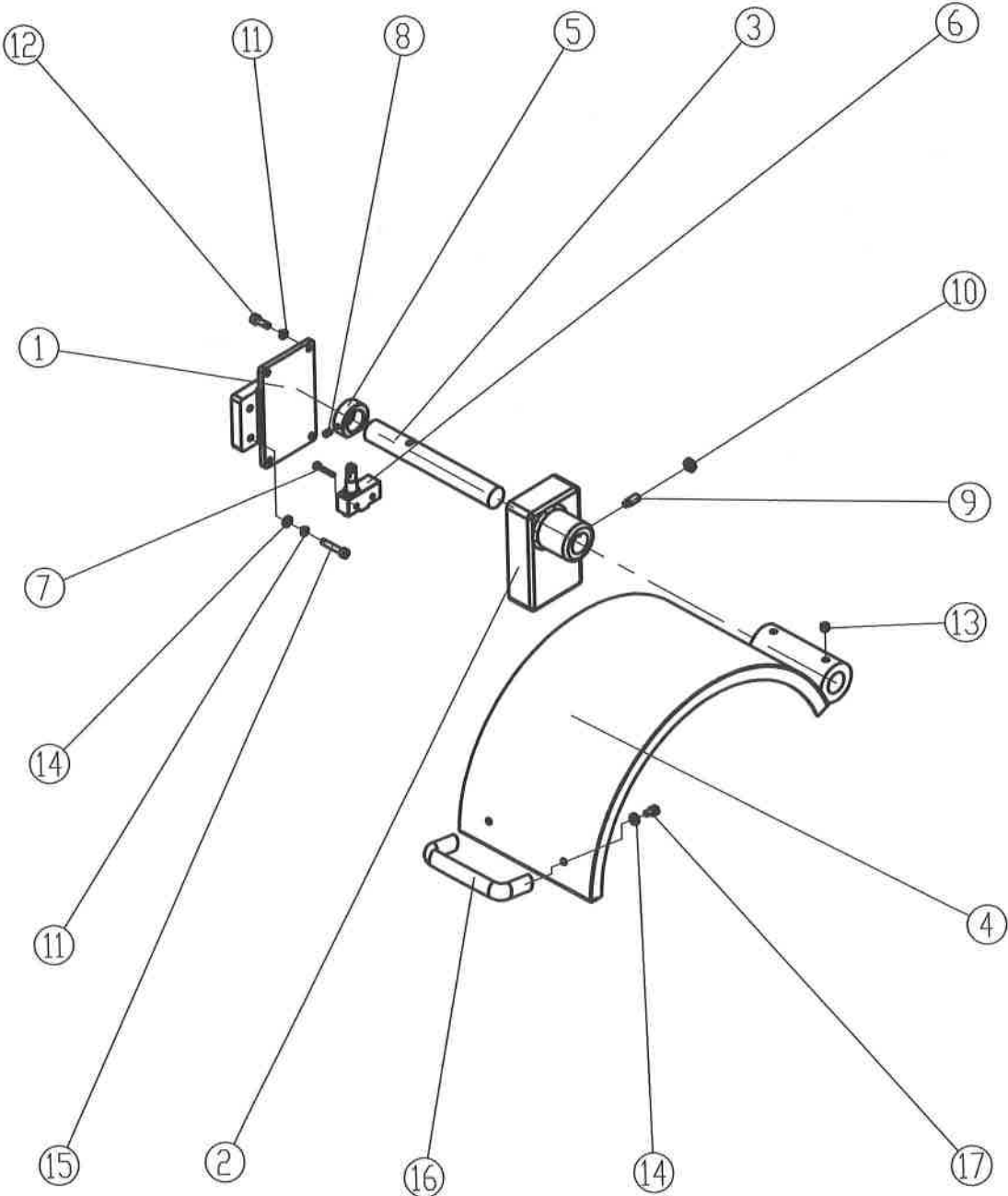
# Copying Device



No.	Part No.	Name	Specification	Qty
1	CR6241-17-10	Main Support		1
2	CR6241-17-07	Slide Block		1
3	CR6241-17-01	End Block		1
4	GB70-85	Socket Head Cap Screw	M6×20	4
5	CR6241-17-02	Stopper		1
6	CR6241-17-06	Press Plate Cover		1
7	GB1155-89	Press-Fit Oil Cup	6	1
8	GB819-85	Cross Recess Sunk Screw	M6×16	10
9	CR6241-17-05	Profiling Plate		1
10	CR6241-17-24	Profiling Seat		1
11	CR6241-17-09	Position Axle		1
12	CR6241-17-08	Pivot		1
13	CR6241-17-18	Inlaid Strip		1
14	CR6241-17-19	Press Screw		2
15	CR6241-17-16	Block Pin		3
16	CR6241-17-17	Copper Washer		1
17	GB77-85	Socket Flat Set Screw	M8×16	1
18	GB1155-89	Press-Fit Oil Cup	8	2
19	CR6241-17-14	Wedge		1
20	GB70-85	Socket Head Cap Screw	M6×30	3
21	GB70-85	Socket Head Cap Screw	M6×25	3
22	GB6170-86	Nut	M6	3
23	CR6241-17-03	Stopper		2
24	GB70-85	Socket Head Cap Screw	M8×20	2
25	CR6241-17-11	Mobile Block		2
26	GB70-85	Socket Head Cap Screw	M8×25	4
27	CR6241-17-15	Adjustment Supporter		2
28	CR6241-17-12	Adjustment Screw		1
29	CR6241-17-20	Handle		1
30	GB77-85	Socket Flat Set Screw	M8×10	1
31	CR6241-17-13	Adjustment Nut		1
32	CR6241-17-21	Connection Block		1
33	GB70-85	Socket Head Cap Screw	M10×50	2
34	GB97.1-85	Flat Washer	10	8
35	GB93-87	Spring Washer	10	2
36	CR6241-17-22	Pull Rod		1
37	GB97.1-85	Flat Washer	8	2
38	CR6241-17-23	Pressed Block		1
39	GB70-85	Socket Head Cap Screw	M10×60	2
40	GB70-85	Socket Head Cap Screw	M10×45	4

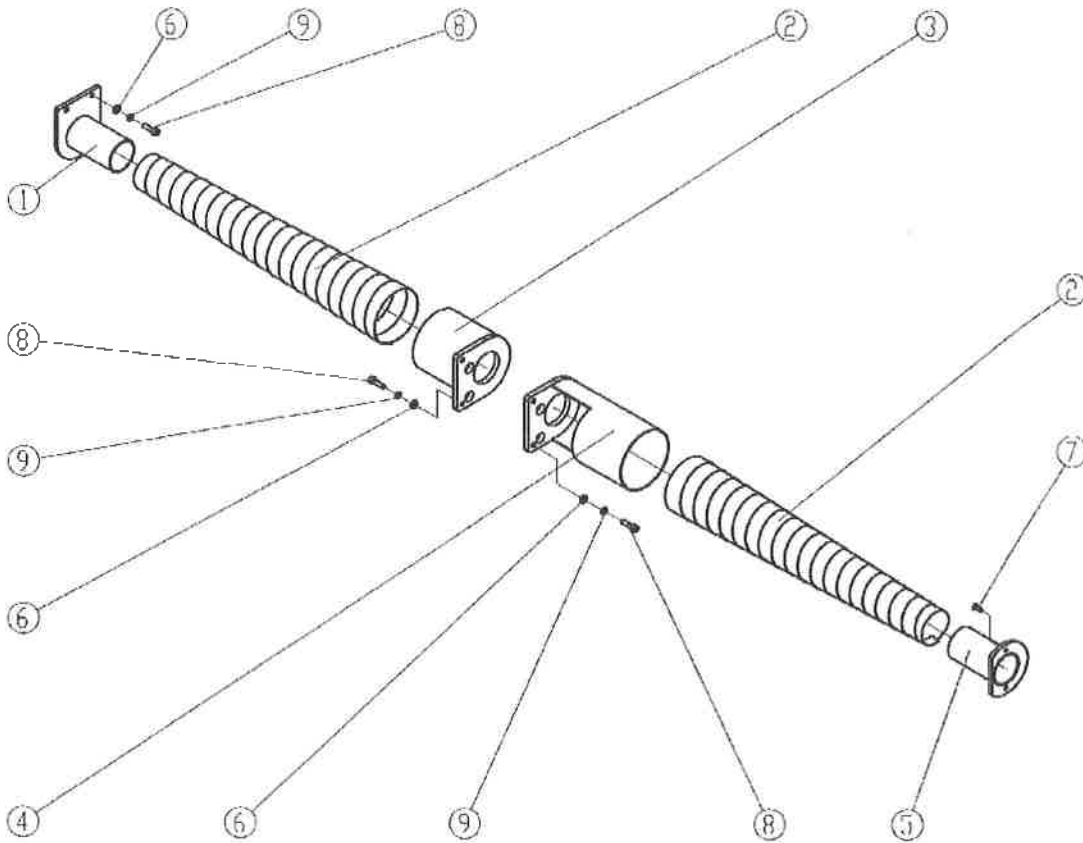
<b>No.</b>	<b>Part No.</b>	<b>Name</b>	<b>Specification</b>	<b>Qty</b>
41	GB879-86	Spring Cylindrical Pin	8×45	2
42	CR6241-17-04	Sign Board		1
43	GB827-86	Rivet	2×5	2
44	GB78-85	Screw	M5×6	1

# Chuck Guard



No.	Part No.	Name	Specification	Qty
1	CR6246B-15-02	Support		1
2	CR6246B-15-03	Guard Stand		1
3	CR6241-15-02	Shaft		1
4	CR6246B-15-01	Cover		1
5	CR6241-15-05	Sleeve		1
6		Microswitch		1
7	GB818-85	Screw	M4×25	2
8	GB78-85	Screw	M6×10	1
9	GB79-85	Screw	M8×20	1
10	GB6172-86	Nut	M8	1
11	GB93-87	Spring Washer	6	6
12	GB70-85	Socket Head Cap Screw	M6×16	4
13	GB80-85	Screw	M8×8	2
14	GB97.1-85	Flat Washer	6	4
15	GB70-85	Socket Head Cap Screw	M6×30	2
16	HY8315.4	Handle	A114	1
17	GB70-85	Socket Head Cap Screw	M6×10	2

## Lead Screw Guard

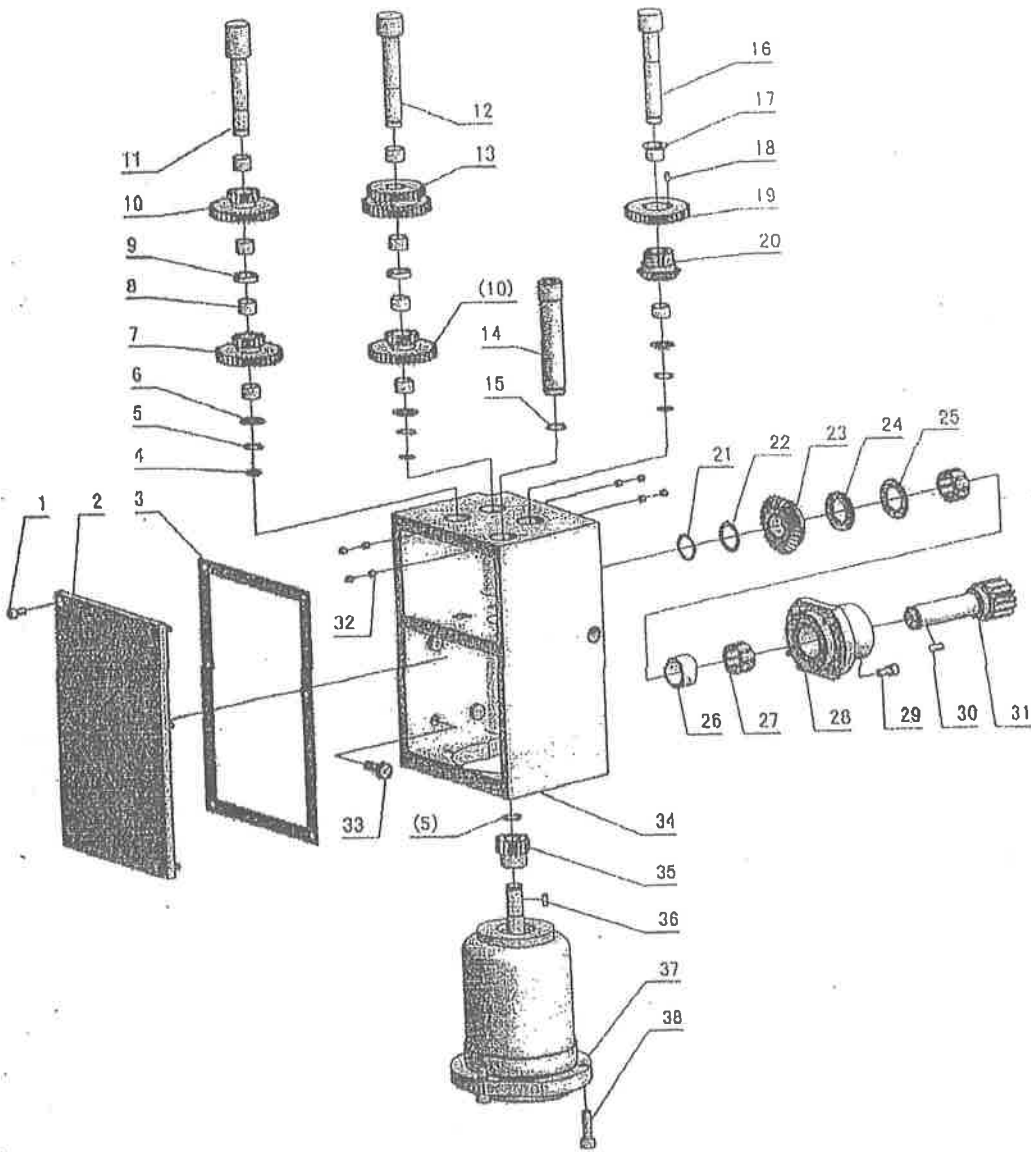


No.	Part No.	Name	Specification	Qty
1	CR6251-16-01	Connect Sleeve		1
2	CR6251-16-04	Protect Sleeve	1000	2
2	CR6251-16-04-1	Protect Sleeve	1500	2
2	CR6251-16-04-2	Protect Sleeve	2000	2
3	CR6251-16-02	Connect Sleeve	1000、1500	1
3	CR6251-16-02-2	Connect Sleeve	2000	1
4	CR6251-16-03	Connect Sleeve	1000、1500	1
4	CR6251-16-03-2	Connect Sleeve	2000	1
5	CR6251-16-05	Connect Sleeve		1
6	GB97.1-85	Flat Washer	6	6
7	GB819-85	Screw	M5×12	2
8	GB70-85	Socket Cap Screw	M6×20	6
9	GB93-87	Spring Washer	6	6





# Speed-move Device





No.	Part No.	Name	Specifications	Qty.
1	GB70-85	Socket Head Cap Screw	M5 × 12	8
2	CR6251-18-05-04	Cover		1
3	CR6251-18-05-12	Cover Seal		1
4	GB/T3452.1-1992	O-Ring	Φ 10.6 × 1.8	3
5	GB894.1-86	Snap Ring	14	4
6	CR6251-18-05-11	Spacer		3
7	CR6251-18-05-05	Gear I	Z36 × 1.5/Z17 ×	1
8	SF-1(DU)	Bearing	C/SF-1410	9
9	CR6251-18-05-10	Spacer		2
10	CR6251-18-05-06	Gear II	Z37 × 1.5/Z17 ×	2
11	CR6251-18-05-07	Shaft I		1
12	CR6251-18-05-08	Shaft II		1
13	CR6251-18-05-09	Gear III	Z37 × 1.5/Z31 ×	1
14	CR6251-18-05-24	Shaft		1
15	GB/T3452.1-1992	O-Ring	Φ 16 × 1.8	1
16	CR6251-18-05-23	Shaft III		1
17	SF-1F	Bearing	C/SFF-14120	1
18	GB77-85	Screw	M5 × 8	3
19	CR6251-18-05-21	Gear	Z37 × 1.5	1
20	CR6251-18-05-22	Bevel Gear	Z21 × 1.75	1
21	GB894.1-86	Snap Ring	20	1
22	CR6251-18-05-20	Washer II		1
23	CR6251-18-05-15	Bevel Gear	Z29 × 1.75	1
24	GB/T4605-1984	Bearing	AXK 2035	1
25	CR6251-18-05-16	Washer I		1
26	CR6251-18-05-19	Spacer		1
27	GB/T5801-1994	Bearing	RNA 4902	2
28	CR6251-18-05-17	Bearing Cover		1
29	GB70-85	Socket Head Cap Screw	M6 × 12	4
30	GB1096-79	Key	5 × 14	1
31	CR6251-18-05-18	Pinion		1
32	GB80-85	Screw	M6 × 6	8
33	GB5783-86	Bolt	M8 × 20	4
34	CR6251-18-05-14	Box		1
35	CR6251-18-05-02	Gear	Z18 × 1.5	1
36	GB1096-79	Key	4 × 12	1
37	YS	Motor	YSS2-5634	1
38	GB70-85	Socket Head Cap Screw	M8 × 25	3

