



Italia

CERTIFICATO

Nr. 50 100 5533 - Rev.006

Si attesta che / This is to certify that

IL SISTEMA QUALITÀ DI
THE QUALITY SYSTEM OF



SEDE LEGALE E OPERATIVA:
REGISTERED OFFICE AND OPERATIONAL SITE:

VIALE PORTA PO 89
IT-45100 ROVIGO (RO)

È CONFORME AI REQUISITI DELLA NORMA
HAS BEEN FOUND TO COMPLY WITH THE REQUIREMENTS OF

UNI EN ISO 9001:2015

QUESTO CERTIFICATO È VALIDO PER IL SEGUENTE CAMPO DI APPLICAZIONE
THIS CERTIFICATE IS VALID FOR THE FOLLOWING SCOPE

**Progettazione, fabbricazione e commercializzazione di
apparecchiature a pressione (IAF 18, 29)**

**Design, manufacture and trade of pressure vessels
(IAF 18, 29)**



SGQ N° 049A

Membro degli Accordi di Mutuo Riconoscimento
EA, IAF e ILAC
Signatory of EA, IAF and ILAC Mutual
Recognition Agreements

Per l'Organismo di Certificazione
For the Certification Body
TÜV Italia S.r.l.

Validità / Validity

Dal / From: 2020-12-11

Al / To: 2023-12-02

Andrea Coscia
Direttore Divisione Business Assurance

Data emissione / Issuing Date

2020-12-11

PRIMA CERTIFICAZIONE / FIRST CERTIFICATION: 2006-01-12

"LA VALIDITÀ DEL PRESENTE CERTIFICATO È SUBORDINATA A SORVEGLIANZA PERIODICA A 12 MESI E AL RIESAME COMPLETO DEL SISTEMA DI GESTIONE AZIENDALE CON PERIODICITÀ TRIENNALE"

"THE VALIDITY OF THE PRESENT CERTIFICATE DEPENDS ON THE ANNUAL SURVEILLANCE EVERY 12 MONTHS AND ON THE COMPLETE REVIEW OF COMPANY'S MANAGEMENT SYSTEM AFTER THREE-YEARS"

CERTIFICAT

CERTIFICADO

СЕРТИФИКАТ

認證證書

CERTIFICATE

ZERTIFIKAT

CERTIFICATO CERTIFICATE



Italia

L'Ente di Certificazione TÜV Italia Srl
Organismo Notificato 0948 Direttiva Attrezzature a Pressione
The Certification Body of TÜV Italia Srl
Pressure Equipment Directive 0948 Notified Body

certifica che
certifies that

SICC TECH S.r.l.
Viale Porta Po 89 Z.I. I-45100 ROVIGO (RO)

ha realizzato, gestisce e mantiene un sistema qualità come descritto nella Pressure Equipment Directive (2014/68/UE) Allegato III Modulo D
has implemented, operates and maintains a quality system as described in the Pressure Equipment Directive (2014/68/EU) Annex III Module D

per il seguente campo di applicazione
for the scope of approval

Costruzione di attrezzature a pressione (autoclavi, corpi cilindrici, scambiatori di calore e serbatoi) secondo Allegato 1.
Manufacture of pressure equipment (autoclaves, cylindrical shell, heat exchangers and tanks) according to Annex 1

Il rapporto finale No. AR-TIS-PED-MI-21-05-368623-25617 comprova che il sistema qualità soddisfa i requisiti della Pressure Equipment Directive (2014/68/UE)
Evidence that the quality system satisfies the Pressure Equipment Directive (2014/68/EU) requirements is documented in Assessment Report No.: AR-TIS-PED-MI-21-05-368623-25617

Il fabbricante è pertanto autorizzato ad apporre sull'attrezzatura a pressione, nell'ambito del suddetto campo di applicazione del sistema qualità, il seguente numero identificativo dell'Organismo Notificato (marchio CE come illustrato):
The manufacturer is, therefore, authorized to provide the pressure equipment manufactured within the scope of the assessed quality system with the below listed Notified Body identification number (following the product's CE marking as illustrated):

CE 0948

Certificato No. / Certificate No.: PED-0948-QSD-446-15 Rev.3

Data emissione / Issue date: 13/05/2021

Data 1° emissione / First issue date: 15/04/2015

Data scadenza / Expiry date¹: 14/05/2024

TÜV ITALIA Srl

Organismo Notificato No. 0948
Notified Body, No. 0948



PRD N° 081B

Membro degli Accordi di Mutuo Riconoscimento
EA, IAF e ILAC
Signatory of EA, IAF and ILAC Mutual
Recognition Agreements



Alberto Carelli
Industry Service - Real Estate &
Infrastructure
Managing Director

La validità del presente certificato è subordinata a quella del certificato Esame UE del tipo - tipo di produzione Modulo B secondo direttiva 2014/68/UE e/o certificato modulo B secondo direttiva 97/23/CE applicabili.
The validity of this certificate is subject to the certificate EU-Type examination - production type Module B certificate according to 2014/68/EU and/or module B certificate according to directive 97/23/EC as applicable

PPE-02-M037_r07_del 29/03/2018

Dichiarazione di conformità UE in applicazione della Direttiva 2014/68/UE

EU declaration of conformity according to Directive 2014/68/EU

EU-konformitätserklärung gemäß der Richtlinie 2014/68/EU

Déclaration UE de conformité application de la Directive 2014/68/UE

Declaración UE de conformidad conforme a las disposiciones de la Directiva 2014/68/UE

Collaudo numero <i>Prüfnummer / Inspection no. / Numero d'inspection</i>	25750
Descrizione componente <i>Beschreibung / Description / Description</i>	Serbatoio a pressione Druckbehälter / Pressure vessel Réservoir sous pression / Recipiente de presión
Capacità (V) <i>Inhalt / Capacity / Capacité</i>	1000 litri / liter / litres
Fluido contenuto <i>Flüssigkeit / Fluid / Fluide</i>	Fluidi Gr.1 - 2 (escluso idrogeno) Fluidgruppe 1 - 2 (Wasserstoff ausgeschlossen) Fluid Gr.1 - 2 (except hydrogen) Fluide Gr.1 - 2 (excluse de l'hydrogène)
Pressione massima ammessa (PS) <i>Zulässige Betriebsüberdruck / Max. allowed pressure / Pression max. de service</i>	16 bar
Temperatura massima ammessa (T max.) <i>Max. Betriebstemperatur / Max. allowed temperature / Temperatur max. de service</i>	+120 °C
Temperatura minima ammessa (T min.) <i>Min. Betriebstemperatur / Min. allowed temperature / Temperatur min. de service</i>	-10 °C
Tipo <i>Typ / Type / Type</i>	2000 – 20011R2
Numero di fabbrica <i>Fabrik Nr / Serial No / N° de fabrication</i>	21.02317.001 ÷ 21.02317.020
Disegno di progetto numero <i>Zeichnungsplan Nr. / Design drawing No / Dessin de plan no.</i>	20011 Rev.2 31257
Codice utilizzato per la costruzione <i>Fertigungskode / Construction code / Code de construction</i>	VSR/S/M Rev.1995 Ed.1999 + racc. CTI-R2: 2005 + Directive 2014/68/EU
Categoria / Kategorie / Category / Catégorie	IV
Modulo utilizzato per l'accertamento di conformità <i>Verwendeter Formblatt für die Konformitätsermittlung / Conformity assesment module used / Formulaire utilisée pour la verification de conformité</i>	B (TIS-PED-MI-18-08-368623-13316 Rev.1) + D (PED-0948-QSD-446-15 Rev.2)
Organismo notificato <i>Benannte Stelle / Notified Body / Organisme notifié</i>	TÜV Italia S.r.L. Via Carducci 125 20099 Sesto S. Giovanni (MI). Id.Nr. 0948



La presente dichiarazione di conformità è rilasciata sotto la responsabilità esclusiva del fabbricante.

This declaration of conformity is issued under the sole responsibility of the manufacturer.

Die alleinige Verantwortung für die Ausstellung dieser Konformitätserklärung trägt der Hersteller.

La présente déclaration de conformité est établie sous la seule responsabilité du fabricant.

La presente declaración de conformidad se expide bajo la exclusiva responsabilidad del fabricante.

Allegati: istruzioni di uso, installazione e manutenzione, schema dell'apparecchio.

Anlagen: Warnungs- und installationsanweisungen, Plan des Geräts.

Enclosures: instructions for use and maintenance, equipment drawing.

Annexes: mode d'emploi et d'entretien, schéma de l'appareil.

Rovigo

Luogo / Location / Ort / Lieu / Lugar

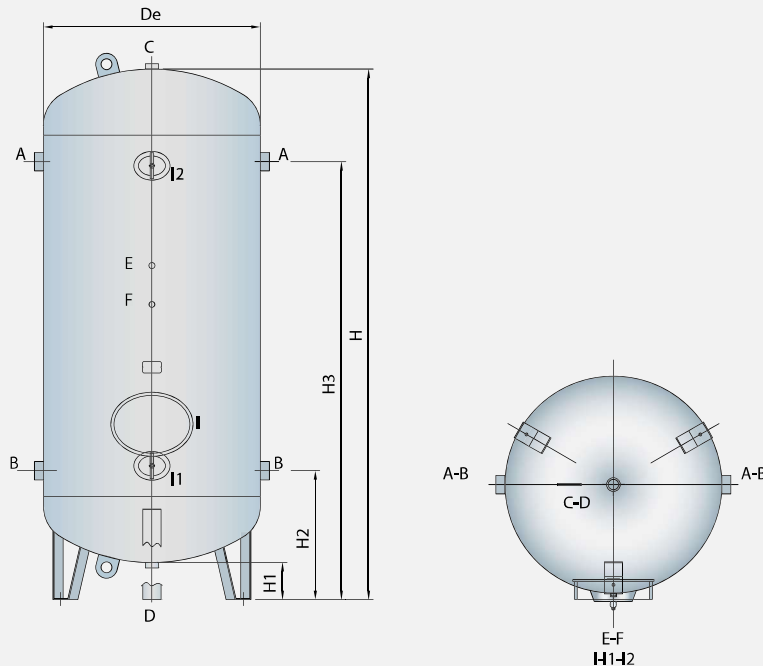
09.09.2021

 Data / Date / Datum / Date /
Fecha

L'Amministratore Unico

Dott.ssa Donatella Callegari

Disegno tecnico
Technical drawing



A-B	Alimentazione aria <i>Air supply</i>	C	Attacco valvola di sicurezza <i>Safety valve connection</i>	I-1-I2	Apertura d'ispezione <i>Inspection opening</i>
E-F	Servizio <i>Service</i>	D	Scarico <i>Drain</i>		

Materiale: Acciaio al carbonio
Trattamento: Verniciatura esterna RAL 5015 /
Zincatura a bagno caldo interno ed esterno /
Vitroflex interno
Fluidi: Gruppo 1 e Gruppo 2 (escluso idrogeno)
Optional su richiesta: Passa mano 100x150,
Passa uomo 300x400

Material: Carbon steel
Coating: External painting RAL 5015 / Hot Dip
Galvanized internal and external / Vitroflex on
internal surface
Fluid: Group 1 and group 2 (hydrogen excluded)
Optional on request: Hand hole 100x150,
Man hole 300x400

Uso Ossigeno contrattamento Vitroflex: in accordo alla ISO15001 testato
Oxygen Application with Vitroflex treatment: compliance with ISO15001 tested

	DIMENSIONALE SIZES (mm)					CONNESSIONI CONNECTIONS				Peso Weight (Kg)
	De	H	H1	H2	H3	A-B	C-D	E	F	
212HP verticale vertical 16 bar -10° +120° C 2014/68/EU PED										
500	600	2120	175	690	1690	2"	1"1/4	3/4"	3/8"	160
1000	790	2365	200	725	1725	2"	1"1/4	3/4"	3/8"	280
1500	1000	2310	175	570	1840	2"	2"	3/4"	3/8"	405
2000	1000	2810	175	575	2335	2"	2"	3/4"	3/8"	490
3000	1200	2965	205	715	2425	3"	2"	3/4"	3/8"	620
4000	1430	3110	190	785	2435	3"	2"	3/4"	3/8"	905
5000	1430	3610	190	785	2935	3"	2"	3/4"	3/8"	1055



Accessori Accessories

Kit	Descrizione Description	Direttiva Directive	Taratura Set pressure	Portata Florate
KITAC03	Safety valve 1" Pressure gauge 1/4" Valve with pressure flange 1/4" Manual Drain Valve F-F 1 1/4"	PED	8 bar	28.666 l/min
KITAC05	Safety valve 3/8" Pressure gauge 1/4"	PED	10,8 bar	7.107 l/min
KITAC06	Safety valve 1" Pressure gauge 1/4" Valve with pressure flange 1/4" Manual Drain Valve F-F 1 1/4"	PED	11,5 bar	39.810 l/min
KITAC08	Safety valve 3/4" Pressure gauge 1/4" Valve with pressure flange 1/4" Manual Drain Valve F-F 3/4"	PED	16 bar	26.198 l/min
KITAC09	Safety valve 3/4" Pressure gauge 1/4" Valve with pressure flange Manual Drain Valve F-F 3/4"	PED	21 bar	34.000 l/min
KITAC14	Safety valve 3/4" Pressure gauge 1/4" Valve with pressure flange 1/4" Manual Drain Valve F-F 3/4"	PED	32 bar	30.000 l/min
KITAC11	Safety valve 3/4" Pressure gauge 1/4" Valve with pressure flange 1/4" Manual Drain Valve F-F 3/4"	PED	42 bar	37.678 l/min
KITAC13	Safety valve 3/4" Pressure gauge 1/4" Valve with pressure flange 1/4" Manual Drain Valve F-F 3/4"	PED	48 bar	42.500 l/min



Flangia Portamanometro
Pressure Gauge Holder



Manometro
Pressure Gauge



Valvola di sicurezza
Safety Valve



Valvola di scarico
Drain Valve



Siccotech^{SRL}
Unipersonale

Viale Porta Po, 89 Z.I. – 45100 Rovigo (RO)
Tel. 0425 403111 r. a. – Fax 0425 403177
Internet <https://www.sicc-tech.it>
E-mail: info@sicc-tech.it

To whom it may concern

**DECLARATION OF CONFORMITY AND AUTHENTICITY OF THE
PROVIDED DOCUMENTATION**

SICC TECH SRL confirm that any documentation issued to our partner **EYECON MEDICAL MD**, has been submitted from us for their use, in the specific to participate in offer request, tender and auction, in order to provide supporting specification/data sheet along with the commercial offer.

All the pressure vessels manufactured from SICCC TECH are suitable to contain any kind of fluid and gas, *Group 1 and Group 2* according to the PED directive 2014/68EU, which cover the OXYGEN as well. Furthermore, SICCC TECH has tested and certified the pressure vessel according to ISO15001 for “ Anesthetic and respiratory equipment – Compatibility with oxygen” confirming the compatibility and relevant use.

We remain at your complete disposal for any kind of clarification on this regard and available to be contacted directly at to the following:

- a.marabello@sicc-tech.it
- mobile +39 349 459 4441
- land line +39 0425 403 123

Signed:

Name: *Andrea Marabello*

Title: *Sales Manager*

Dated on March 1st 2022

Siccotech^{SRL}
Viale Porta Po, 89
45100 ROVIGO
P.I.C.F. / 01560860296



SicCTech^{SRL}

Unipersonale

Viale Porta Po, 89 Z.I. – 45100 Rovigo (RO)

Tel. 0425 403111 r. a. – Fax 0425 403177

Internet <https://www.sicc-tech.it>

E-mail: info@sicc-tech.it

INFORMATION LETTER

To whom it may concern

We, **SicCTech**, located in Viale Porta Po 89, Rovigo, Italy, who are official producers (manufacturers) of Pressure vessels, declare that we provide relevant certificates of conformity for our products with each delivery, as these are issued to a specific product and tied to a specific serial number. Therefore we cannot issue any declaration of conformity in advance for any products. We can only supply a declaration of conformity already issued for a product, as “MODEL” that can only be used as such.

Signed:

A handwritten signature in black ink is written over a blue circular stamp. The stamp contains the following text: SicCTech^{SRL}, Viale Porta Po, 89, 45100 ROVIGO, and P.I./C.F. 01560860296.

Name: Andrea Marabello

Title: Sales Manager

Dated on _12-02.2022



Siccotech^{SRL}

Unipersonale

Viale Porta Po, 89 Z.I. – 45100 Rovigo (RO)

Tel. 0425 403111 r. a. – Fax 0425 403177

Internet <https://www.sicc-tech.it>

E-mail: info@sicc-tech.it

Reference: *MTender ID* [ocds-b3wdp1-MD-1654006644605](#)

To: [CENTRUL PENTRU ACHIZITII PUBLICE CENTRALIZATE IN SANATATE](#)

Name of project: “Medical devices (Medical oxygen production station) according to the needs of IMSP Clinical Hospital for Traumatology and Orthopedics for 2022 (repeated)”

DECLARATION

We *SICC TECH SRL*, who are official manufacturers of *PRESSURE EQUIPMENT* having factories at *Viale Porta Po, 89 Rovigo-Italy*, do hereby confirm that the *Air Tank and Oxygen Tank* conforms the below listed specifications:

MEDICAL OXYGEN TANK 1 pc. 2121151110	
Capacity Min. 1000 liters	yes
Special oxygen tank	yes
Galvanized inside / outside, covered with VITROFLEX on the inside, Painted on the outside, with Oxygen indicator	yes
Working pressure supported by vessel min. 11 bar	yes
Safety valve and pressure gauge	yes
CE type conformity marking	yes
Produced according to European Directive 2014/68 / EU PED.	yes
All components of the system are new (unused). Year of production is after 2021	yes
COMPRESSED AIR TANK 2 pcs. 2121610000	
Galvanized air tank	yes
Capacity 1000 liters	yes
Maximum working pressure supported by the vessel min. 16 bar	yes
Safety valve and pressure gauge	yes
Condensate separator with automatic purge	yes
CE type conformity marking	yes
Hot dip galvanizing	yes
Produced according to European Directive 2014/68 / EU PED	yes
All components of the system are new (unused). Year of production is after 2021	yes
The, Oxygen/ Air vessel of 1000L - 3pcs. (11/16 bar) will be made available for shipment in a time <u>not exceeding 75 (seventy-five) days</u> from Order Confirmation and the receipt of the contractual down payment (notified by your bank).	

Signed:

Name: *Andrea Marabello*

Title: *Sales Manager*

Dated on 06.06.2022





SiccTech^{SRL}

Unipersonale

Viale Porta Po, 89 Z.I. – 45100

Rovigo (RO) Tel. 0425 403111

Fax 0425 403177

Internet <https://www.sicc-tech.it>

E-mail: info@sicc-tech.it

INFORMATION LETTER

To whom it may concern

We, **SiccTech**, who are official manufacturer of PRESSURE EQUIPMENT, having factory in Viale Porta Po 89, Rovigo, Italy, declare that we provide under normal operating conditions according to our user rules a 10 years of useful time for Air and Oxygen Tanks.

Signed:

Name: *Andrea Marabelllo*

Title: *Sales Managaer*

Dated on 01.07.2022


SiccTech^{SRL}
UNIPERSONALE
P.I./C.F. 01560860296