



BF-BA / TF-TA

moviplan iC

Product Data

Moviplan iC table

Mechanical features	Elevating (BA – TA)	Fixed (BF – TF)
Weight	320 kg	270 kg
Dimensions	2300 x 850 mm	
Radiotransparent area	2190 x 658 mm	
Longitudinal movement	Manual (floating) 1200 mm (±600 mm)	
Transversal movement	Manual (floating) 260 mm (±130 mm)	
Height from the floor	460 ÷ 850 mm (motorized, run 390 mm)	800 mm (fixed)
Maximum patient weight	250 kg with unrestricted movement 375 kg maximum static load with centered table top	
Surface	Flat, totally smooth without raised edges	
Material	Laminated plastic (standard) Carbon fiber (optional)	
X-Ray attenuation	Laminated plastic: ≤ 0.9 mm Al @100 kVp, HVL = 3.6 mmAl Carbon fiber: ≤ 0.5 mm Al @100 kVp, HVL = 3.6 mmAl	
Electrical features	Elevating (BA – TA)	Fixed (BF – TF)
Power supply	115/230 Vac single-phase ±10%	
Absorbed current	8 @ 115 Vac 3.6 A @ 230 Vac	1.3 @ 115 Vac 0.6 A @ 230 Vac
Absorbed power	917 VA (759 W) @ 115 Vac 837 VA (693 W) @ 230 Vac	144 VA (120 W) @ 115 Vac 136 VA (113 W) @ 230 Vac
Frequency	50/60 Hz	
Main fuse F1 (*)	T 15A 250V @ 115Vac T 7A 250V @ 230Vac	T 3A 250V @ 115Vac T 1.6A 250V @ 230Vac
Fuse F4	T 4A 250V	
Fuses F1, F3 on board A1	T 2.5A 125V	
Fuses F2, F4 on board A1	T 0.75A 125V	
Type and classification in accordance with IEC 60601-1	Class I with type B applied parts	



Degree of protection according to IEC 60529	IPX0
Operating mode	Continuous
Line Impedance	< 1 ohm

(*) in fixed version, present only with motorized column longitudinal movement

Environmental operating conditions	Temperature: from 10 to 40 °C Humidity: from 30% to 75% Pressure: from 700 to 1060 hPa Max. altitude: 2500 m
Environmental conditions for transport and storage	Temperature: from -20 to 70 °C Humidity: up to 95% non-condensing Pressure: > 630 hPa Max. altitude: 3000 m

Bucky

Predisposition	Film cassettes, portable flat panel detectors, fixed flat panel detectors
Type	<ul style="list-style-type: none"> - Standard bucky for film cassettes - Bucky for fixed detectors in option
Cassettes size	From 13x18 cm to 35x43 cm. (up to 43x43 cm for portable digital detectors)
Longitudinal movement	Manual, run 560 mm. Motorized, run 540 mm.
Cassette centering	Semi-automatic
AEC measuring chamber	Predisposed for 3 fields measuring chamber
Skin to film distance	68 mm
Grid (other models on request)	Dimensions: 480 x 438 x 3 mm <ul style="list-style-type: none"> - On standard bucky: R12, F = 110 cm, 40 L/cm - On bucky for fixed detector: R10, F = 120 cm, 34 L/cm
Grid functions	Oscillating, not removable on standard bucky. Oscillating, removable on bucky for fixed flat panel detector.

Accessories

Handle	1 handle as standard, additional handle in option
Gynecological leg supports	Option
Compression band	Option
Lateral cassette support	Option
Medical disposable bed sheet holder	Option
Multifunctional keypad	Option
Maximum weight of accessories	15 kg



Functions

Table top movements lock	with photocell to unlock the movements of the floating table and lift. A lever is used to select the 2-way or 4-way movement of the floating table
Locking of movements	with permanent magnet brakes
Optional functions for elevating table (for factory orders only)	Anti-collision system: pressure sensors located beneath the table top structure measure the variation of pressure during the vertical movement of the table in both directions and stop the movement in the presence of obstacles Controls replication: replication of the locking mechanism by photocell on both sides of the table

Column iC

Mechanical features	TF - TA
Height from the floor	2350 mm
Standard rails length	2900 mm (rails only) 3009 mm (rails + end race)
Rails thickness	35 mm
Longitudinal column movement	Manual and motorized, run 2110 mm
Tube arm vertical movement	Manual, 1700 mm Motorized in the configuration with vertical auto-tracking function
Tube arm transversal movement	Manual, 250 mm
Column rotation around its axis	Manual, $\pm 90^\circ$ Manual -90° and $+180^\circ$ with optional kit
Tube arm rotation	Motorized $\pm 180^\circ$
Min. focus-floor distance	335 mm (with tube facing the Wall Bucky)
Max. focus-floor distance	2035 mm (with tube facing the Wall Bucky)
Weight	185 kg
Electrical features	TF - TA
Power supply	110-240 Vac single phase $\pm 10\%$
Absorbed current	0.5 A @ 240 V 0.95 A @ 110 V
Absorbed power	109 VA (108 W) @ 110 V 113 VA (110 W) @ 240 V



Frequency	50/60 Hz
Fuses F9, F11	T 0.5A 250V
Fuse 10	T 0.8A 250V
Fuse F1 on board A10	T 2.5A 125V
Fuse F2 on board A10	T 0.75A 125V
Type and classification according to IEC 60601-1	Class I with type B applied parts
Degree of protection according to IEC 60529	IPX0
Operating mode	Continuous
Line Impedance	< 1 ohm
Environmental operating conditions	Temperature: from 10 to 40 °C Humidity: from 30% to 75% Pressure: from 700 to 1060 hPa Max. altitude: 2500 m
Environmental conditions for transport and storage	Temperature: from -20 to 70 °C Humidity: up to 90% non-condensing Pressure: > 630 hPa Max. altitude: 3000 m

Functions

Predisposed for X-ray tube	Any type with weight up to 25 kg
Controls position	Keyboard with alphanumerical LCD display mounted on the tube head
LCD interface	4" LCD display showing: <ul style="list-style-type: none"> - Source to Image Distance (SID) - Tube rotation angle - Grid focalization - Active auto-tracking function
Horizontal/oblique auto-tracking	The table bucky automatically follows the column longitudinal movement and the tube rotation to keep the tube-detector alignment

Collimator

	TF - TA
Type	Manual or automatic according to selected configuration
Limitation	Square and rectangular with laser for bucky centering
Light source	LED lamp with timer
SID measurement	With retractable tape measure
Field coverage	48 x 48 cm @ SID= 100 cm



Inherent filtration

2 mm Al eq. @ 100 kV_p, HVL = 2.7 mm Al

Standards and regulation



CE symbol grants the product compliance to the Regulation (EU) 2017/745

Dimensions (all quotes in mm)

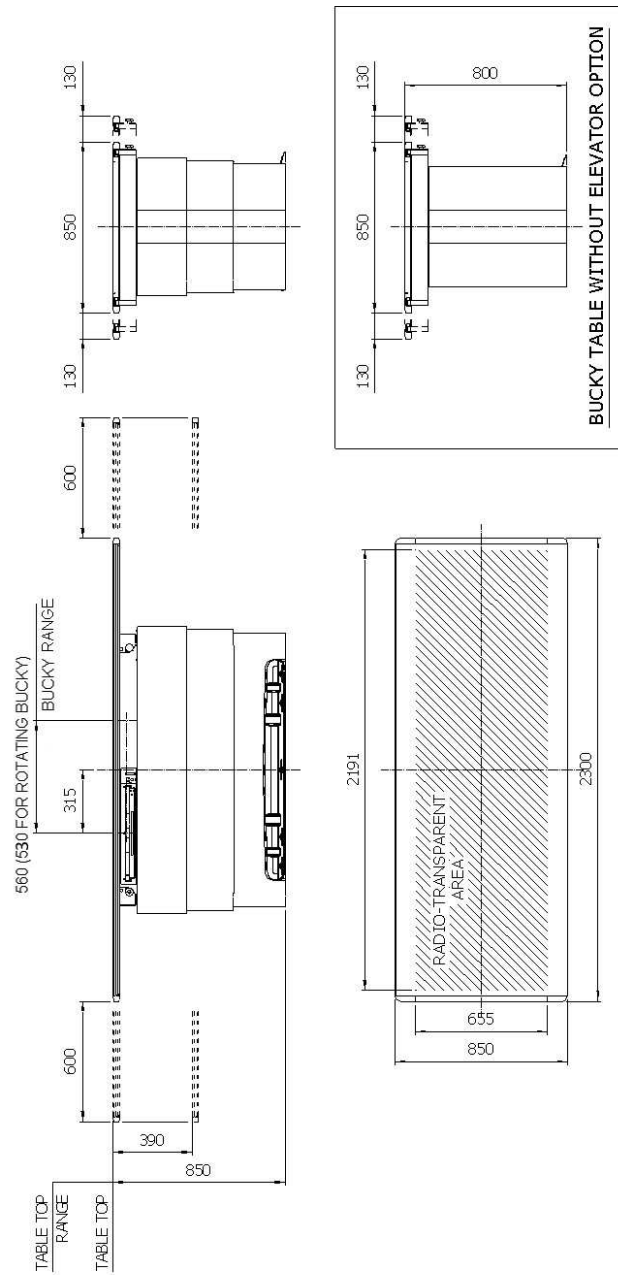


Figure 1: BF-BA versions

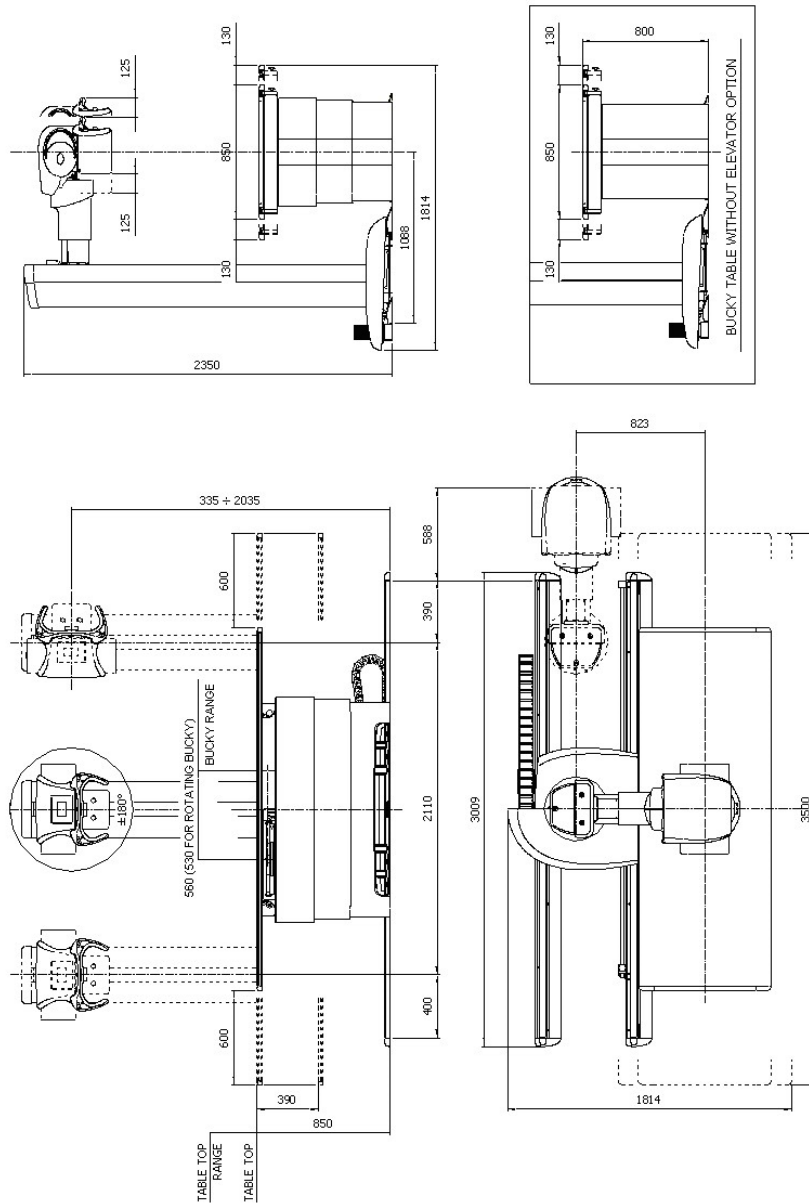


Figure 2: TF-TA versions

Note: Products are continuously under review in the light of technical advancement. The actual specification may therefore be subject to improvement or modification without notice.

VILLA SISTEMI MEDICALI s.p.a.
 20090 BUCCINASCO (MI) – ITALY,
 Via delle Azalee, 3
 Tel. +39-02-488591, Fax +39-02-4881844

Company with Quality System certified by



ISO 9001:2015



ISO 13485:2016