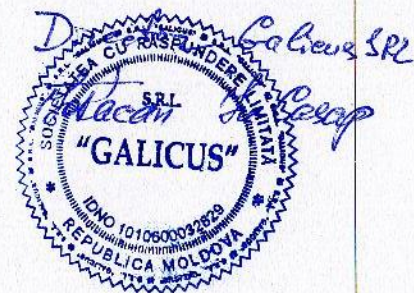
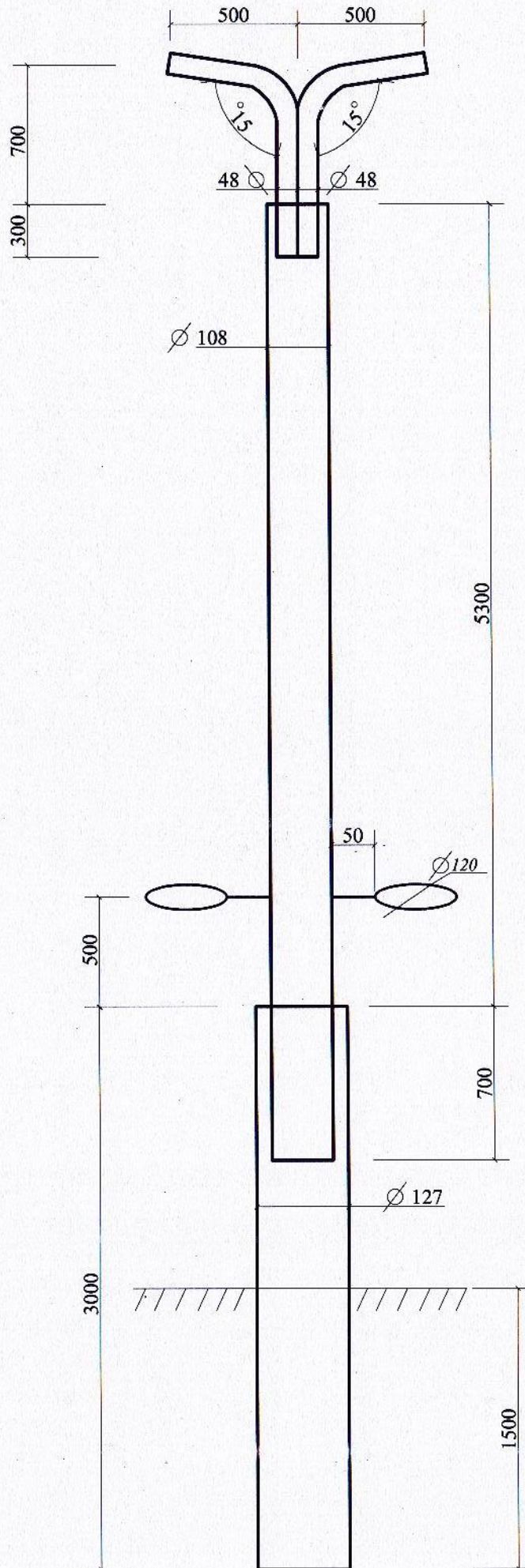


Pilon metallic H=9 m



Pilon metalic H=9 m

