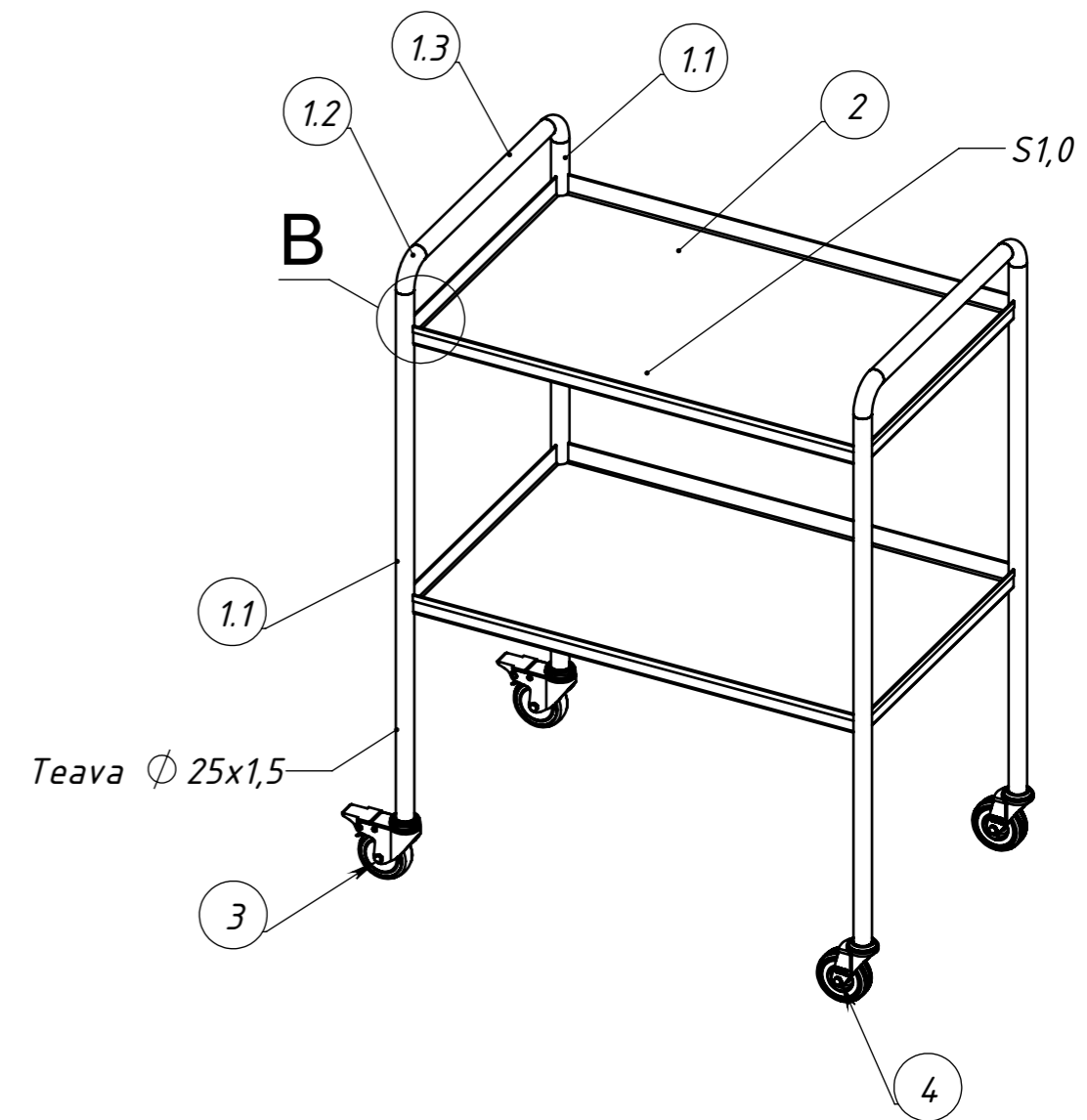
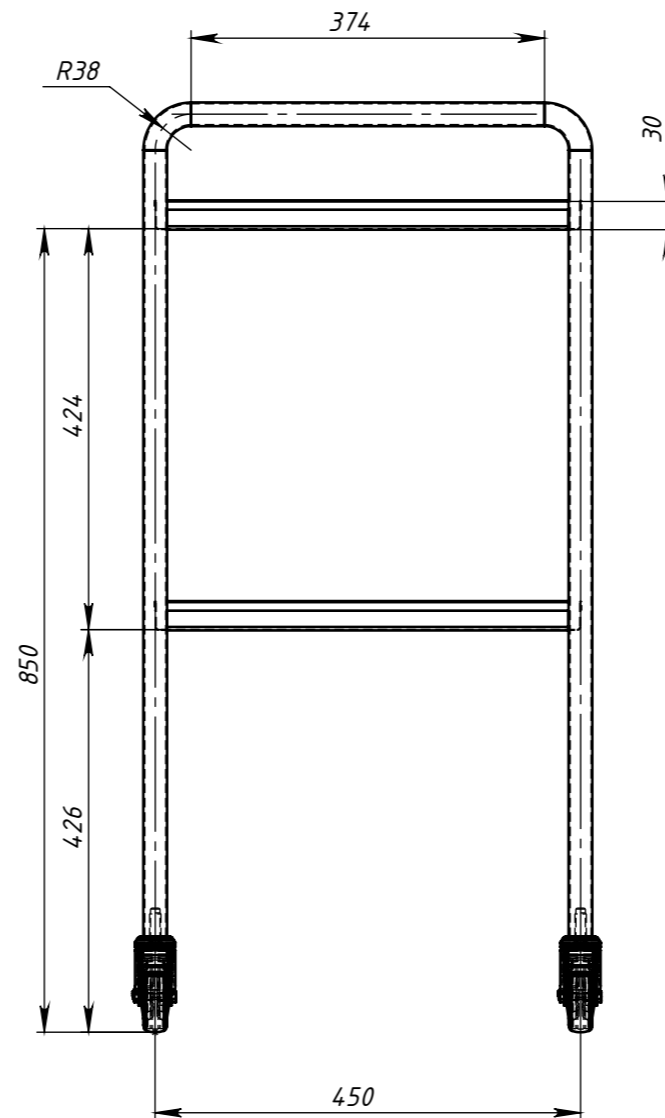
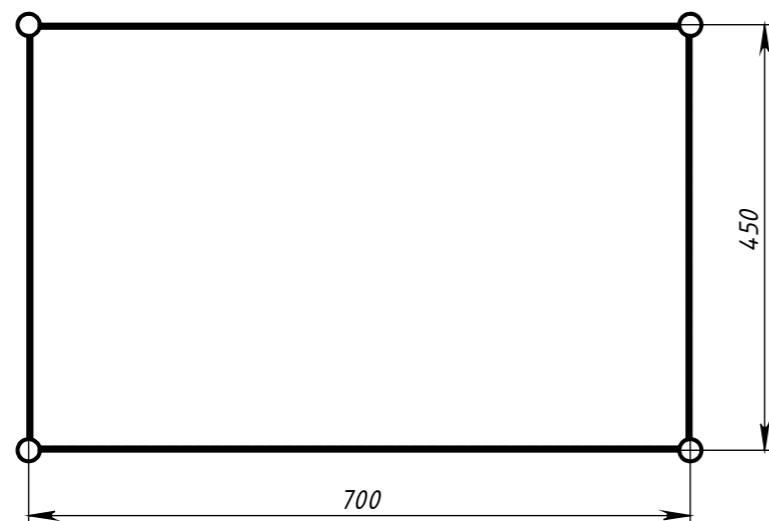
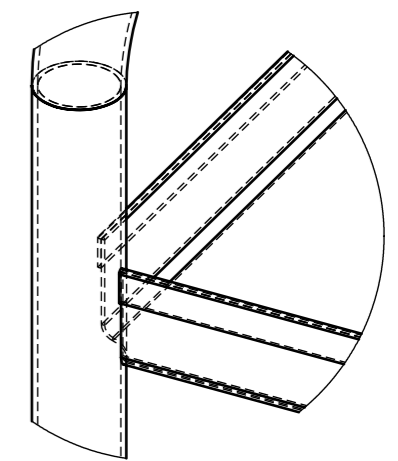


A-A (1 : 8)



B (1 : 2)



ITEM NO.	PART NUMBER	DESCRIPTION	ДЛИНА	QTY.
1	Carcasa 400			2
1.1		Teava $\phi 25 \times 1,5$	832	2
1.2		Cot $\phi 25 \times 1,5$	90°	2
1.3		Teava $\phi 25 \times 1,5$	374	1
2	Polita 700x450	S1,0		2
3	Roata 75 fr			2
4	Roata 75			2

Carucior 700x450x850 cu 2 nivele



No	
Client	-
Inginer	Pleşivţev Artiom
Termen ex.	...2026