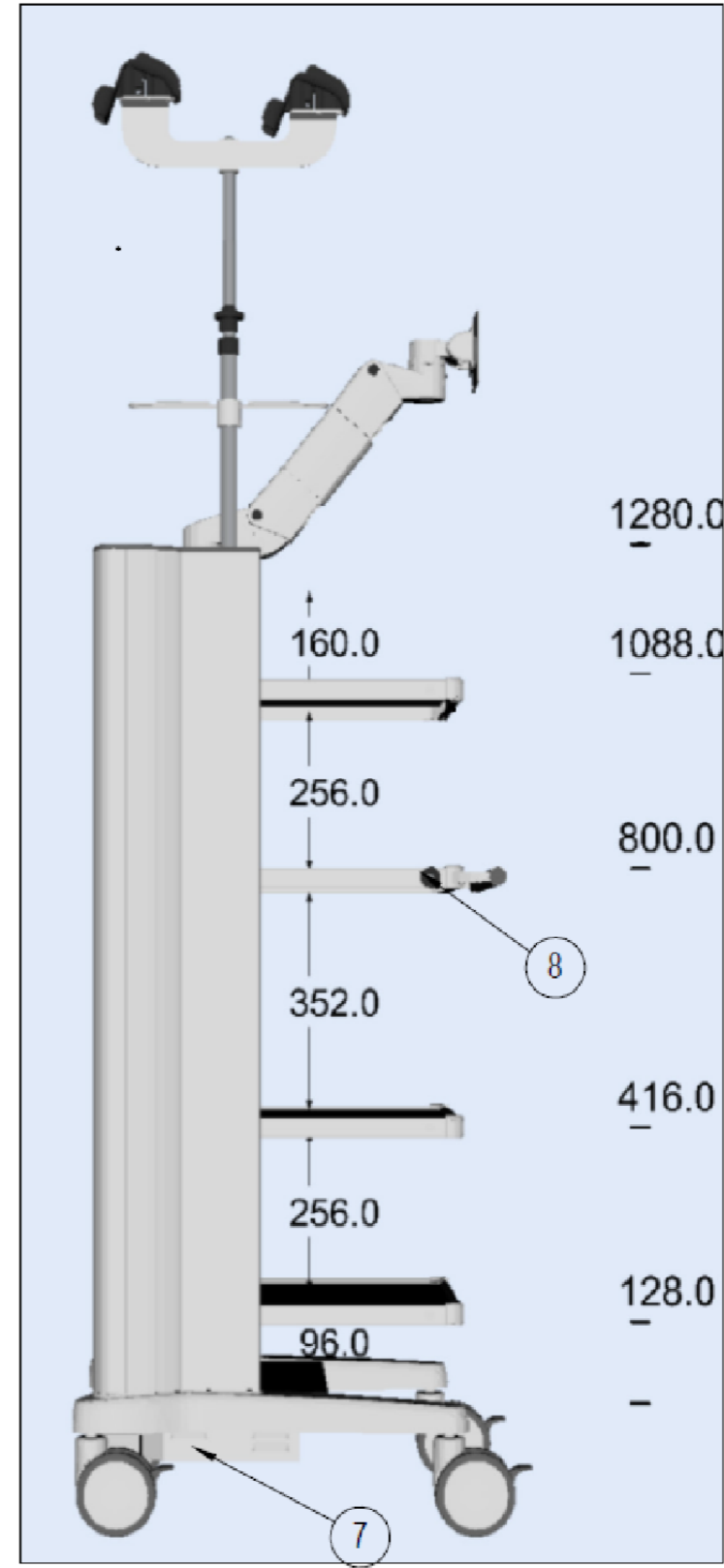
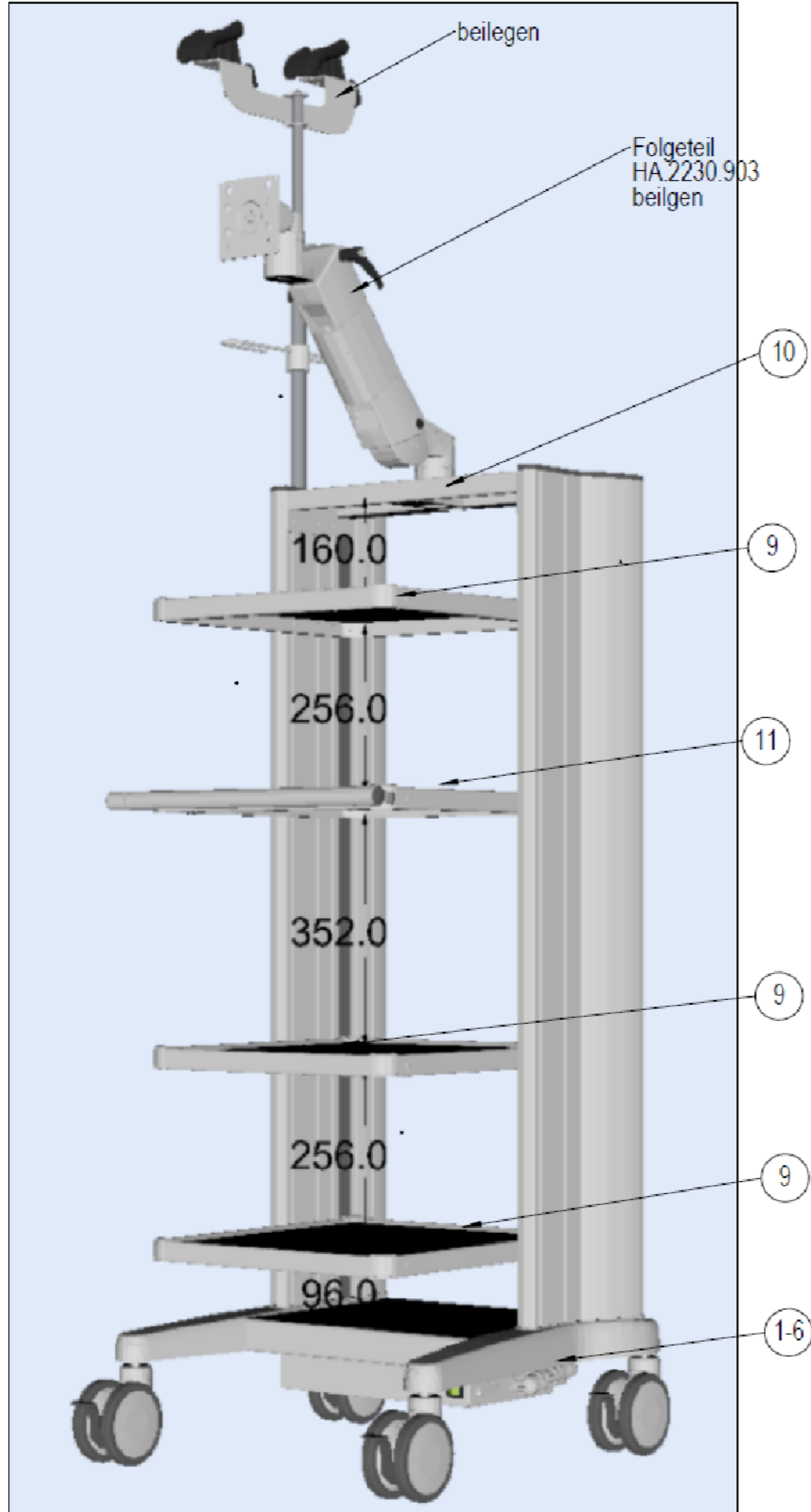



This document contains proprietary information and may not be reproduced in any form whatsoever, nor may it be exploited by or its contents disclosed to third parties unless express written permission has been granted by the owner. Any contravention shall incur liability for damages. All rights for the grant of a patent or application for a utility model are reserved.



				DATE	NAME	Grundfarbe / main colour	Dekorfarbe / decor colour
				DRAWN BY	29.11.2023	CWanger	RAL 7035
				APPROVED	02.10.2023	WW/MARSC	
				AWK / VTI			
				RELEASED	30.11.2023	CWanger	
				 ITD GmbH Lilienthalstraße 19 85579 Neubiberg Germany Phone +49-89-614425-0 sales@itd-cart.com		TITLE	
						compact-cart B450 40E	
				Kunde / customer:		compact-cart W450 40U	
				ImunotehnoMed		Zeichnungsnummer / drawing number	
001	1000	30.11.2023	CWanger	Quelle / Source:		OM.4320.903	
000	0000	29.11.2023	CWanger				
REV.	REV. DESCR.	DATE	NAME			SHEET 1 / 1	