

CITIPORT AT E6 Group List

| Chapter | Description | Page |
|-----------|--|-------------|
| 01 | Engine | |
| 01 01 | Fuel Injection System | Page-01.2 |
| 01 02 | Fuel Filter | Page-01.4 |
| 01 03 | Fuel Pump & Fuel Piping | Page-01.8 |
| 01 04 | Accelerator Pedal & Control | Page-01.22 |
| 01 05 | Fuel Tank | Page-01.24 |
| 01 06 | Fuel Piping (Chassis) | Page-01.30 |
| 01 07 | Water Sedimenter, Fuel | Page-01.40 |
| 01 08 | Turbocharger Sys. | Page-01.42 |
| 01 09 | Turbocharger | Page-01.48 |
| 01 10 | Air Cleaner | Page-01.52 |
| 01 11 | Air Duct | Page-01.54 |
| 01 12 | Oil Cooler & Oil Filter | Page-01.56 |
| 01 13 | Oil Pump | Page-01.62 |
| 01 14 | Oil Pan & Level Gauge | Page-01.66 |
| 01 15 | Cylinder Head Cover | Page-01.72 |
| 01 16 | Cylinder Head | Page-01.76 |
| 01 17 | Cylinder Block | Page-01.78 |
| 01 18 | Camshaft & Valve | Page-01.80 |
| 01 19 | Crankshaft, Piston & Flywheel | Page-01.86 |
| 01 20 | Timing Gear Case & Flywheel Housing | Page-01.96 |
| 01 21 | Engine Mounting | Page-01.100 |
| 01 22 | Inlet Manifold | Page-01.114 |
| 01 23 | Exhaust Manifold | Page-01.122 |
| 01 24 | Ventilation System | Page-01.132 |
| 01 25 | Water Pump | Page-01.138 |
| 01 26 | Thermostat & Housing | Page-01.142 |
| 01 27 | Water Piping | Page-01.146 |
| 01 28 | Fan & Fan Belt | Page-01.150 |
| 01 29 | Hydraulic Actuating System | Page-01.156 |
| 01 30 | Eng. Air Compr. | Page-01.160 |
| 01 31 | Eng. Air Compr. | Page-01.162 |
| 01 32 | Adblue Tank | Page-01.166 |
| 01 33 | Starter | Page-01.168 |
| 01 34 | Generator | Page-01.172 |
| 02 | Cooling System | |
| 02 01 | Radiator | Page-02.2 |
| 02 02 | Radiator Hose & Sub Tank | Page-02.6 |
| 03 | Transmission-Shift | |
| 03 01 | Auto Transmission | Page-03.2 |
| 04 | Steering- Axle-Brake | |
| 04 01 | Rear Wheel Brake | Page-04.2 |
| 04 02 | Propeller Shaft | Page-04.4 |
| 04 03 | Front Axle | Page-04.6 |
| 04 04 | Rear Axle Case & Shaft & Rear Drum | Page-04.22 |
| 04 05 | Steering Column & Shaft | Page-04.46 |
| 04 06 | Steering Linkage | Page-04.48 |
| 04 07 | Power Steering Control System (Chassis Side) | Page-04.52 |
| 04 08 | Power Steering System | Page-04.60 |
| 04 09 | Road Wheel | Page-04.62 |

CITIPORT AT E6 Group List

| Chapter | Description | Page |
|-----------|--|------------|
| 04 10 | Tools | Page-04.64 |
| 05 | Suspension | |
| 05 01 | Front Suspension | Page-05.2 |
| 05 02 | Rear Suspension | Page-05.6 |
| 05 03 | Rear Shock Absorber | Page-05.12 |
| 06 | Exterior Trim | |
| 06 01 | Exterior Trim | Page-06.2 |
| 06 02 | Trunk Covers | Page-06.10 |
| 06 03 | Emergency Exit And Ventilation Unit | Page-06.24 |
| 06 04 | Trunk Panels | Page-06.26 |
| 06 05 | Floor And Seat Panels | Page-06.28 |
| 06 06 | Front Floor Panels | Page-06.32 |
| 06 07 | Exterior Panels, Front And Rear Masks | Page-06.34 |
| 06 08 | Step Aluminium Lining | Page-06.36 |
| 06 09 | Glasses | Page-06.38 |
| 06 10 | Door Aluminium & Rubbers | Page-06.42 |
| 06 11 | Door Handle & Lock | Page-06.46 |
| 06 12 | Rh Front Door | Page-06.48 |
| 06 13 | Rear Door | Page-06.50 |
| 06 14 | Middle Door | Page-06.52 |
| 06 15 | Front Door Mechanism | Page-06.54 |
| 06 16 | Rear Door Mechanism | Page-06.56 |
| 06 17 | Middle Door Mechanism | Page-06.60 |
| 06 18 | Labels & Strips | Page-06.64 |
| 06 19 | Strips | Page-06.70 |
| 07 | Interior Trim | |
| 07 01 | Floor Veneers | Page-07.2 |
| 07 02 | Door&Trunk Dust Seals,Floor Mat & Insulation Materials | Page-07.4 |
| 07 03 | Ceiling And Side Veneers | Page-07.10 |
| 07 04 | Engine Covers & Digital Route Panel | Page-07.22 |
| 07 05 | Instrument Panel & Box | Page-07.26 |
| 07 06 | Seats | Page-07.34 |
| 07 07 | Upper Shelf | Page-07.40 |
| 08 | Electric&Electronic | |
| 08 01 | Meter Asm | Page-08.2 |
| 08 02 | Windshield Wiper & Washer | Page-08.4 |
| 08 03 | Headlamps, Fog,Park,Signal,Stop And Plate Lamps | Page-08.6 |
| 08 04 | Interior Lamps | Page-08.18 |
| 08 05 | Chassis Electrical Parts | Page-08.20 |
| 08 06 | Harness | Page-08.22 |
| 08 07 | Rear Heater Unit And Piping | Page-08.32 |
| 08 08 | Heater Unit | Page-08.46 |
| 08 09 | Air Condition | Page-08.50 |
| 08 10 | Radio Antenna & Speakers | Page-08.56 |
| 08 11 | Tv & Video | Page-08.60 |
| 09 | Air System | |
| 09 01 | Air System | Page-09.2 |
| 10 | Exhaust | |
| 10 01 | Exhaust Pipe & Silencer | Page-10.2 |
| 11 | Carcass | |

CITIPORT AT E6 Group List

| Chapter | Description | Page |
|----------------|----------------------|-------------|
| 11 01 | Floor Carcass Asm | Page-11.2 |
| 11 02 | Carcass Asm, Lh Side | Page-11.6 |
| 11 03 | Carcass Asm, Roof | Page-11.8 |
| 11 04 | Carcass Asm , Front | Page-11.10 |
| 11 05 | Carcass Asm , Rear | Page-11.12 |

ISUZU



ANADOLU GRUBU

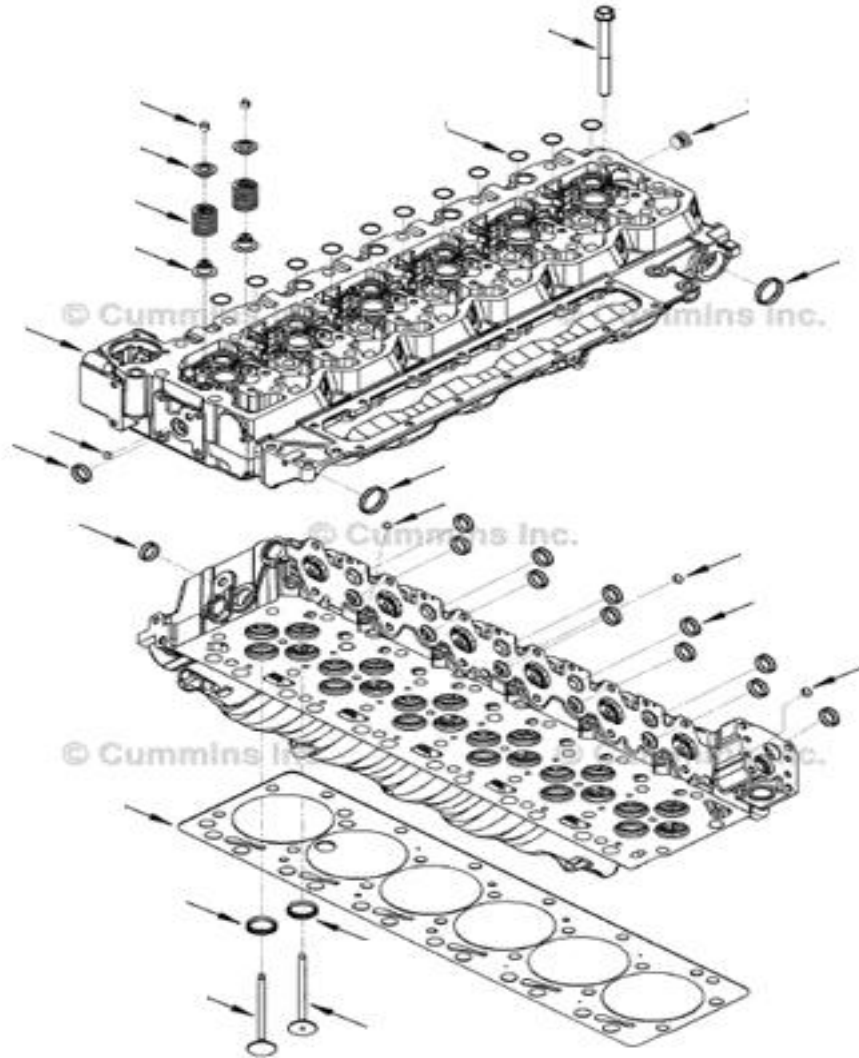
CITIPORT AT E6

01-Engine

0101

Engine

Fuel Injection System



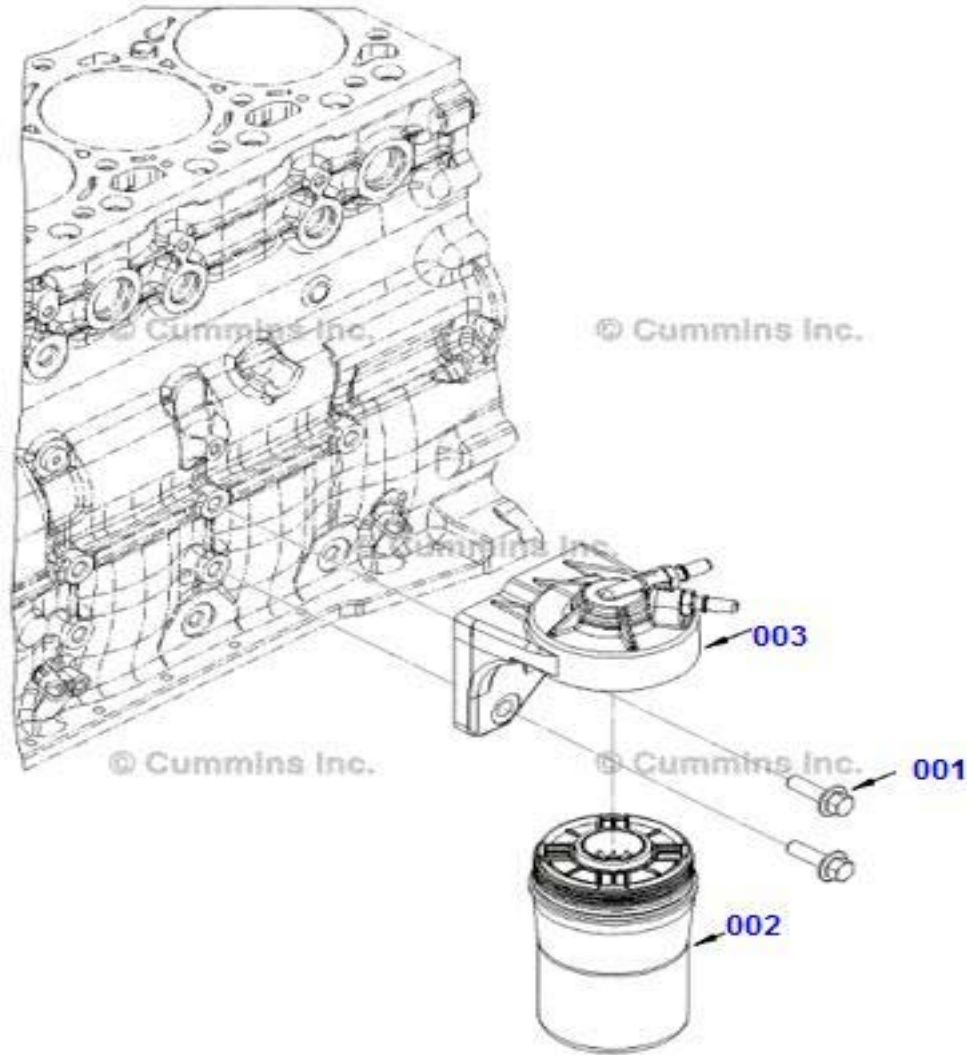
Picture No: PP989GJ-00

| POZ | Part No | N.S.N | Code | Part Name (Türkçe) | Part Name (English) | Quantity |
|------------------------------|-----------|-------|------|------------------------------|----------------------------|-------------|
| | | | | <i>Fuel Injection System</i> | | |
| 000 | CM4929864 | | | CONNECTOR, INJ FUEL SUPPLY | CONNECTOR, INJ FUEL SUPPLY | |
| 001 | CM3900628 | | | SCREW, HEX FLANGE HEAD CAP | SCREW, HEX FLANGE HEAD CAP | |
| 002 | CM3900633 | | | SCREW, HEX FLANGE HEAD CAP | SCREW, HEX FLANGE HEAD CAP | |
| 003 | CM3972753 | | | SEAL, O RING | SEAL, O RING | |
| 004 | CM4929865 | | | CONNECTOR, INJ FUEL SUPPLY | CONNECTOR, INJ FUEL SUPPLY | |
| 005 | CM4935974 | | | TUBE, INJECTOR FUEL SUPPLY | TUBE, INJECTOR FUEL SUPPLY | |
| 006 | CM4935976 | | | TUBE, INJECTOR FUEL SUPPLY | TUBE, INJECTOR FUEL SUPPLY | |
| 007 | CM4935981 | | | TUBE, INJECTOR FUEL SUPPLY | TUBE, INJECTOR FUEL SUPPLY | |
| 008 | CM4935982 | | | TUBE, INJECTOR FUEL SUPPLY | TUBE, INJECTOR FUEL SUPPLY | |
| 009 | CM4937282 | | | MANIFOLD, FUEL | MANIFOLD, FUEL | |
| 010 | CM4938005 | | | VALVE, PRESSURE RELIEF | VALVE, PRESSURE RELIEF | |
| 011 | CM5297640 | | | SENSOR, PRESSURE | SENSOR, PRESSURE | |
| 012 | CM5256034 | | | INJECTOR | INJECTOR | |
| 013 | CM3976371 | | | SEAL, INJECTOR | SEAL, INJECTOR | |
| 014 | CM3977393 | | | SEAL, O RING | SEAL, O RING | |
| 015 | CM5259180 | | | CLAMP, INJECTOR | CLAMP, INJECTOR | |
| 016 | CM5264181 | | | RETAINER, INJ FUL SUP CNR | RETAINER, INJ FUL SUP CNR | |
| Fuel Injection System | | | | Engine | | 0101 |

0102

Engine

Fuel Filter



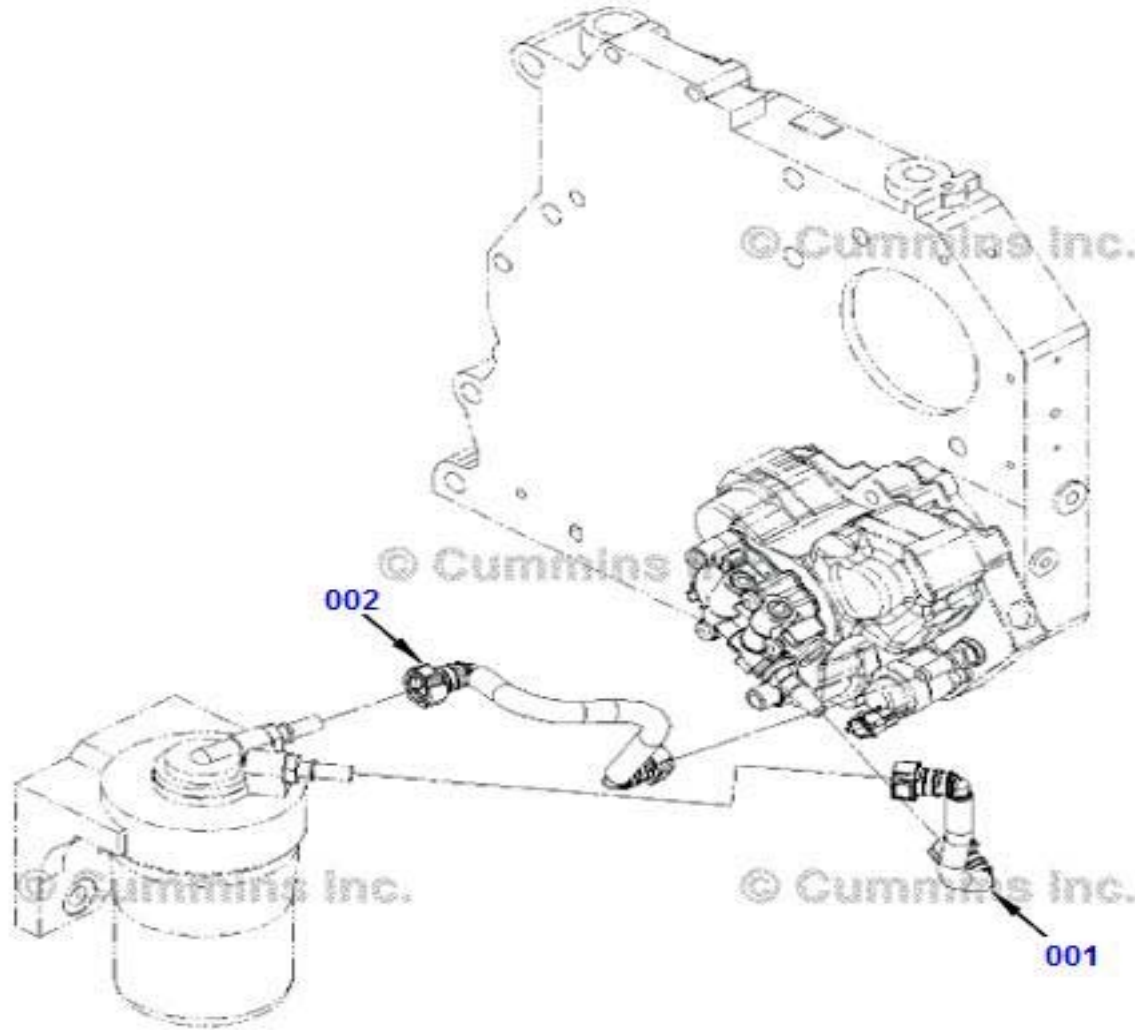
Picture No: FF977GX-00

| POZ | Part No | N.S.N | Code | Part Name (Türkçe) | Part Name (English) | Quantity |
|-----|-----------|-------|------|----------------------------|----------------------------|-------------|
| | | | | <i>Fuel Filter</i> | | |
| 000 | CM3900631 | | | SCREW, HEX FLANGE HEAD CAP | SCREW, HEX FLANGE HEAD CAP | |
| 000 | CM4932615 | | | GASKET, CONNECTION | GASKET, CONNECTION | |
| 000 | CM5270057 | | | HOSE, PLAIN | HOSE, PLAIN | |
| 001 | CM3900637 | | | SCREW, HEX FLANGE HEAD CAP | SCREW, HEX FLANGE HEAD CAP | |
| 002 | CM5304807 | | | FILTER, FUEL | FILTER, FUEL | |
| 003 | CM5305276 | | | HEAD, FUEL FILTER | HEAD, FUEL FILTER | |
| | | | | Fuel Filter | Engine | 0102 |

0102

Engine

Fuel Filter



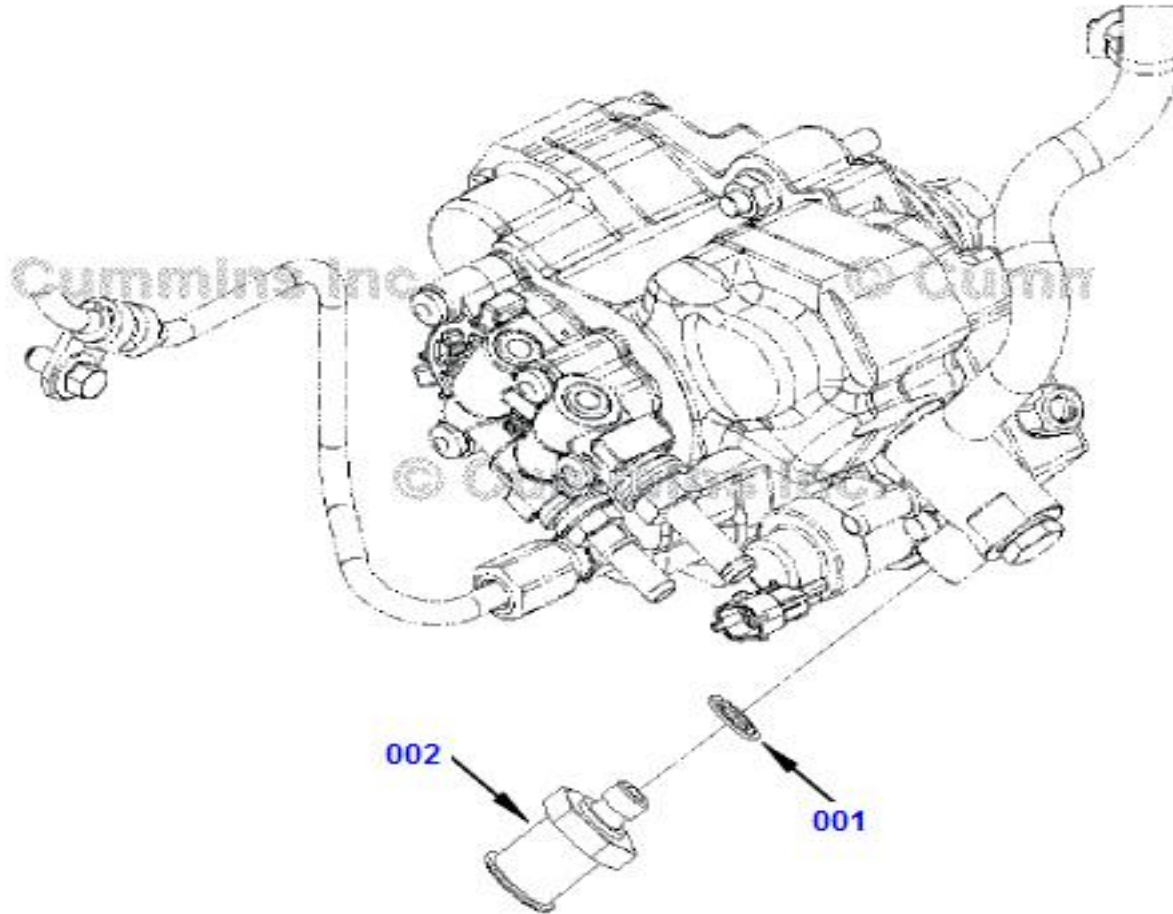
Picture No: FF977GY-00

| POZ | Part No | N.S.N | Code | Part Name (Türkçe) | Part Name (English) | Quantity |
|-------------|-----------|-------|------|--------------------|---------------------|----------|
| | | | | <i>Fuel Filter</i> | | |
| 001 | CM5283604 | | | TUBE, FUEL SUPPLY | TUBE, FUEL SUPPLY | |
| 002 | CM5283605 | | | TUBE, FUEL SUPPLY | TUBE, FUEL SUPPLY | |
| Fuel Filter | | | | Engine | | 0102 |

0103

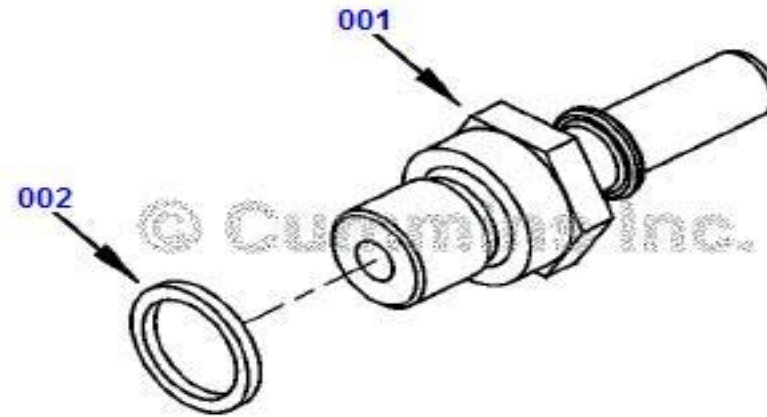
Engine

Fuel Pump & Fuel Piping



Picture No: DL952GX-00

| POZ | Part No | N.S.N | Code | Part Name (Türkçe) | Part Name (English) | Quantity |
|------------------------------------|-----------|-------|------|------------------------------------|---------------------|-------------|
| | | | | <i>Fuel Pump & Fuel Piping</i> | | |
| 001 | CM3963990 | | | WASHER, SEALING | WASHER, SEALING | |
| 002 | CM5296363 | | | VALVE, CHECK | VALVE, CHECK | |
| Fuel Pump & Fuel Piping | | | | Engine | | 0103 |

0103**Engine****Fuel Pump & Fuel Piping**

Picture No: F1950GK-00

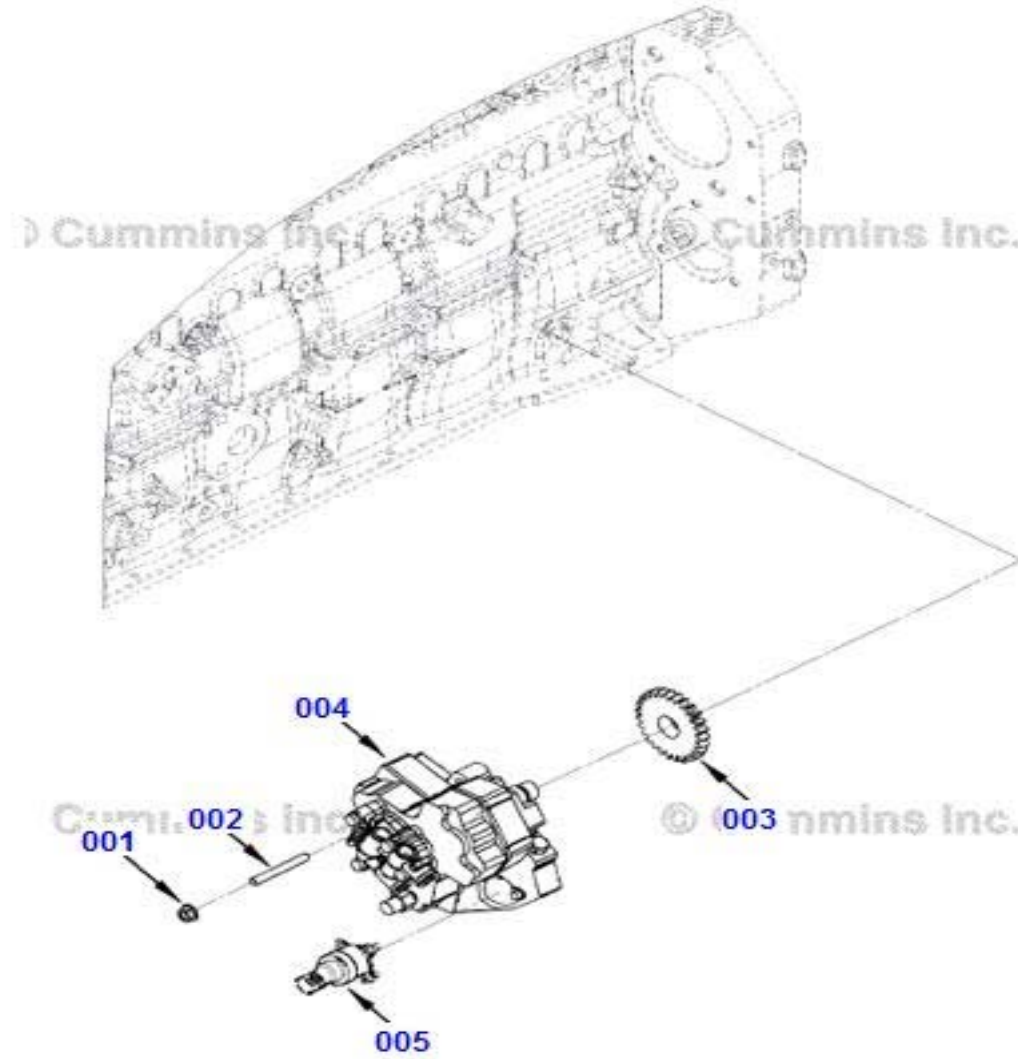


| POZ | Part No | N.S.N | Code | Part Name (Türkçe) | Part Name (English) | Quantity |
|-------------------------|-----------|-------|------|------------------------------------|---------------------------|----------|
| | | | | <i>Fuel Pump & Fuel Piping</i> | | |
| 001 | CM5262073 | | | CONNECTOR, QCK DISCONNECT | CONNECTOR, QCK DISCONNECT | |
| 002 | CM3963988 | | | WASHER, SEALING | WASHER, SEALING | |
| Fuel Pump & Fuel Piping | | | | Engine | | 0103 |

0103

Engine

Fuel Pump & Fuel Piping



Picture No: FP967GH-00



| POZ | Part No | N.S.N | Code | Part Name (Türkçe) | Part Name (English) | Quantity |
|------------------------------------|-----------|-------|------|------------------------------------|--------------------------|-------------|
| | | | | <i>Fuel Pump & Fuel Piping</i> | | |
| 001 | CM3900589 | | | NUT, HEXAGON FLANGE | NUT, HEXAGON FLANGE | |
| 002 | CM3949419 | | | STUD, DOUBLE END PLAIN | STUD, DOUBLE END PLAIN | |
| 003 | CM3955153 | | | GEAR, FUEL PUMP | GEAR, FUEL PUMP | |
| 004 | CM5263094 | | | PUMP, FUEL INJECTION | PUMP, FUEL INJECTION | |
| 005 | CM5301068 | | | ACTUATOR, ETR FUEL CONTR | ACTUATOR, ETR FUEL CONTR | |
| Fuel Pump & Fuel Piping | | | | Engine | | 0103 |

0103

Engine

Fuel Pump & Fuel Piping



Picture No: FS963GK-00

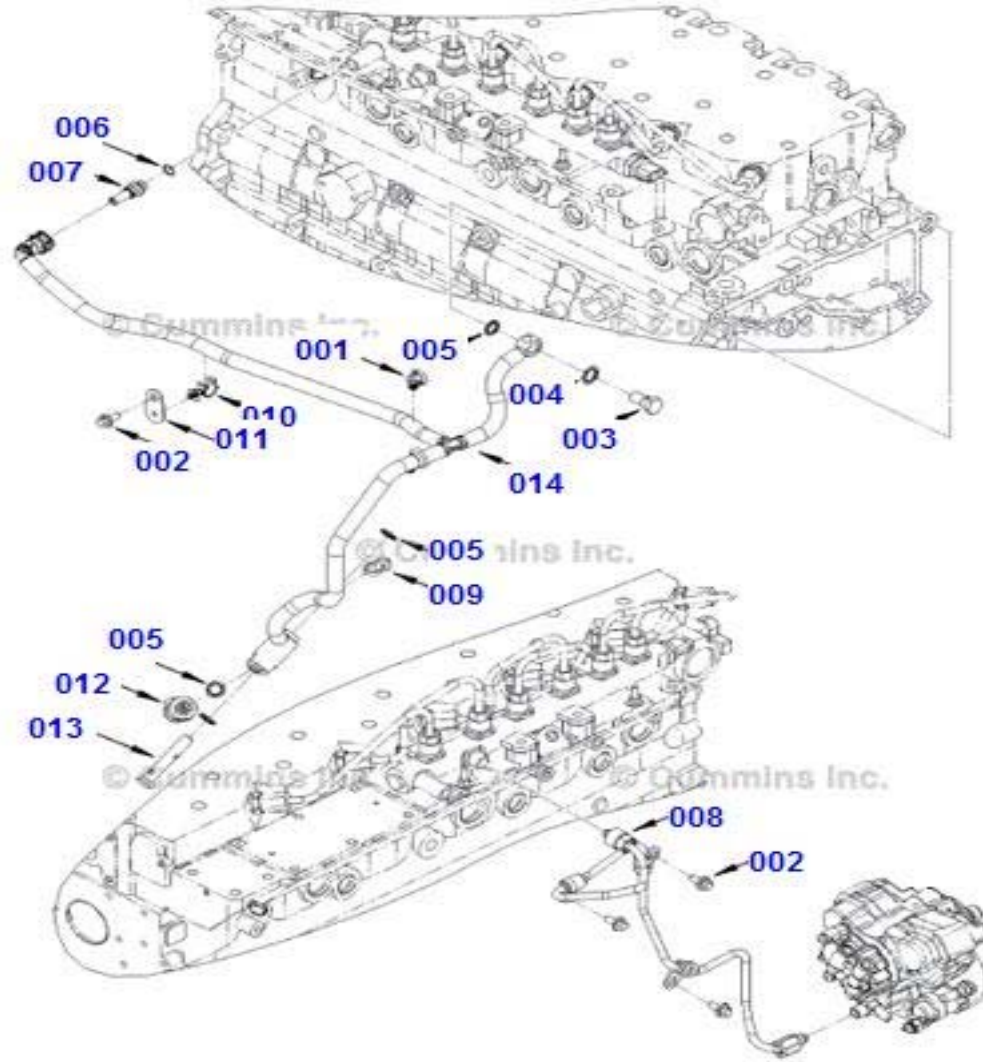


| POZ | Part No | N.S.N | Code | Part Name (Türkçe) | Part Name (English) | Quantity |
|-----|-----------|-------|------|------------------------------------|---------------------|-------------|
| | | | | <i>Fuel Pump & Fuel Piping</i> | | |
| 000 | CM5254441 | | | FILTER, FUEL | FILTER, FUEL | |
| 001 | CM4995590 | | | HARNESS, WIRING | HARNESS, WIRING | |
| 002 | CM4934879 | | | FILTER, FUEL | FILTER, FUEL | |
| 003 | CM5259880 | | | HEAD, FUEL FILTER | HEAD, FUEL FILTER | |
| | | | | Fuel Pump & Fuel Piping | Engine | 0103 |

0103

Engine

Fuel Pump & Fuel Piping



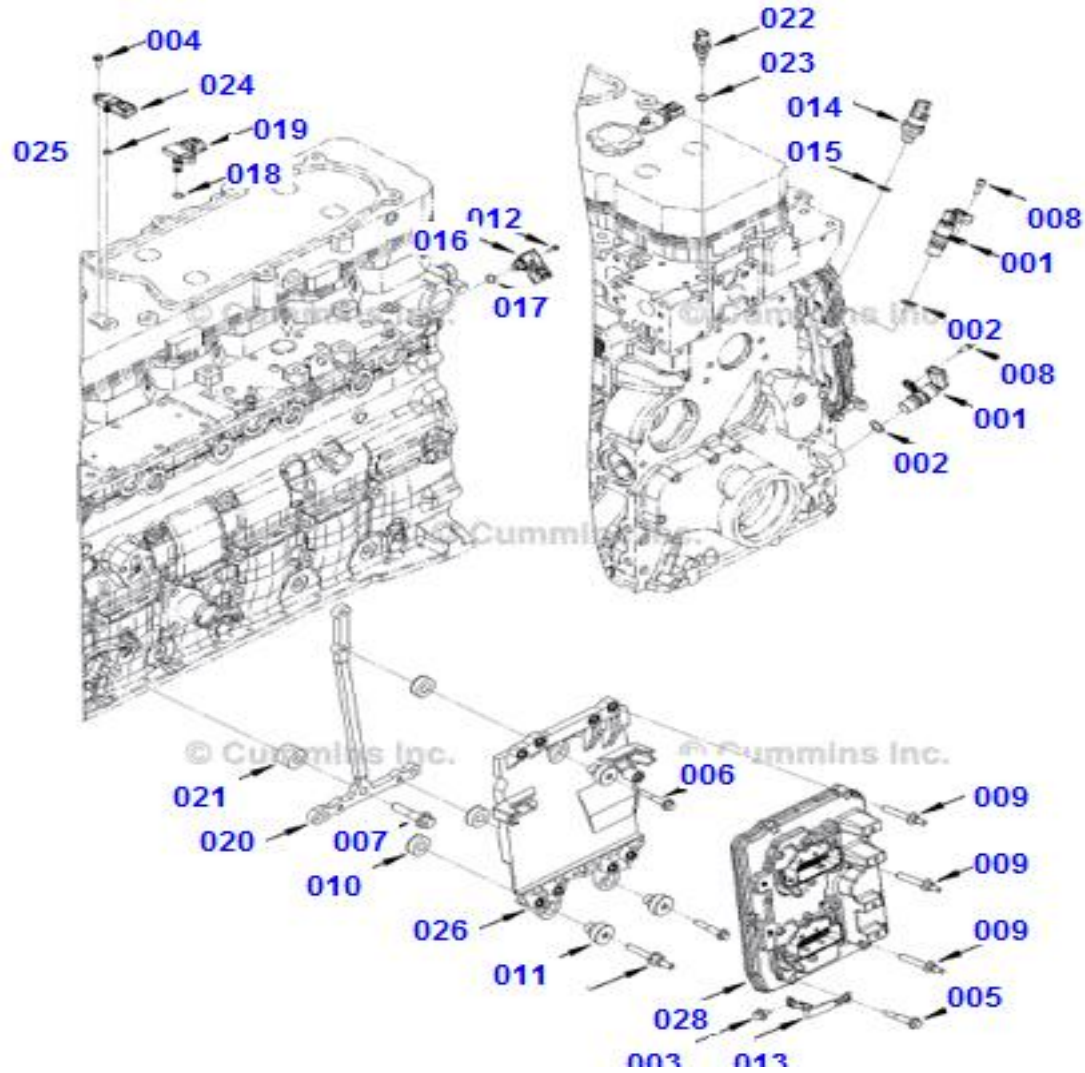
Picture No: FT974GT-00

| POZ | Part No | N.S.N | Code | Part Name (Türkçe) | Part Name (English) | Quantity |
|------------------------------------|-----------|-------|------|------------------------------------|----------------------------|-------------|
| | | | | <i>Fuel Pump & Fuel Piping</i> | | |
| 000 | CM4943660 | | | CONNECTOR, QCK DISCONNECT | CONNECTOR, QCK DISCONNECT | |
| 000 | CM5263091 | | | BRACE, TUBE | BRACE, TUBE | |
| 001 | CM3287727 | | | CLIP, WIRE RETAINING | CLIP, WIRE RETAINING | |
| 002 | CM3900629 | | | SCREW, HEX FLANGE HEAD CAP | SCREW, HEX FLANGE HEAD CAP | |
| 003 | CM3957290 | | | VALVE, CHECK | VALVE, CHECK | |
| 004 | CM3963988 | | | WASHER, SEALING | WASHER, SEALING | |
| 005 | CM3963990 | | | WASHER, SEALING | WASHER, SEALING | |
| 006 | CM3103226 | | | SEAL, O RING | SEAL, O RING | |
| 007 | CM4942070 | | | CONNECTOR, QCK DISCONNECT | CONNECTOR, QCK DISCONNECT | |
| 008 | CM4980292 | | | TUBE, FUEL SUPPLY | TUBE, FUEL SUPPLY | |
| 009 | CM4992639 | | | CLAMP, WIRE TIE | CLAMP, WIRE TIE | |
| 010 | CM5263093 | | | CLIP | CLIP | |
| 011 | CM5268244 | | | BRACE, TUBE | BRACE, TUBE | |
| 012 | CM5296363 | | | VALVE, CHECK | VALVE, CHECK | |
| 013 | CM5308370 | | | SCREW, BANJO CONNECTOR | SCREW, BANJO CONNECTOR | |
| 014 | CM5297957 | | | TUBE, FUEL DRAIN | TUBE, FUEL DRAIN | |
| Fuel Pump & Fuel Piping | | | | Engine | | 0103 |

0103

Engine

Fuel Pump & Fuel Piping



Picture No: PH967GV-00

| POZ | Part No | N.S.N | Code | Part Name (Türkçe) | Part Name (English) | Quantity |
|-----|-----------|-------|------|------------------------------------|----------------------------|----------|
| | | | | <i>Fuel Pump & Fuel Piping</i> | | |
| 000 | CM4921850 | | | SENSOR, PRS TEMPERATURE | SENSOR, PRS TEMPERATURE | |
| 000 | CM5290171 | | | MODULE, ELECTRONIC CONTROL | MODULE, ELECTRONIC CONTROL | |
| 001 | CM2872277 | | | SENSOR, POSITION | SENSOR, POSITION | |
| 002 | CM4928599 | | | SEAL, O RING | SEAL, O RING | |
| 003 | CM3093956 | | | SCREW, HEX FLANGE HEAD CAP | SCREW, HEX FLANGE HEAD CAP | |
| 004 | CM3679118 | | | SCREW, HEX FLANGE HEAD CAP | SCREW, HEX FLANGE HEAD CAP | |
| 005 | CM3900633 | | | SCREW, HEX FLANGE HEAD CAP | SCREW, HEX FLANGE HEAD CAP | |
| 006 | CM3901445 | | | SCREW, HEX FLANGE HEAD CAP | SCREW, HEX FLANGE HEAD CAP | |
| 007 | CM3902116 | | | SCREW, HEX FLANGE HEAD CAP | SCREW, HEX FLANGE HEAD CAP | |
| 008 | CM3906391 | | | SCREW, SOCKET HEAD CAP | SCREW, SOCKET HEAD CAP | |
| 009 | CM3944816 | | | SCREW, STUDED FLANGE CAP | SCREW, STUDED FLANGE CAP | |
| 010 | CM3955219 | | | ISOLATOR, VIBRATION | ISOLATOR, VIBRATION | |
| 011 | CM3955220 | | | ISOLATOR, VIBRATION | ISOLATOR, VIBRATION | |
| 012 | CM3957849 | | | SCREW, SOCKET HEAD CAP | SCREW, SOCKET HEAD CAP | |
| 013 | CM3977357 | | | WIRE, GROUND | WIRE, GROUND | |
| 014 | CM4076930 | | | SWITCH, PRESSURE | SWITCH, PRESSURE | |
| 015 | CM4921574 | | | SEAL, O RING | SEAL, O RING | |
| 016 | CM4921322 | | | SENSOR, PRS TEMPERATURE | SENSOR, PRS TEMPERATURE | |
| 017 | CM4903482 | | | SEAL, O RING | SEAL, O RING | |
| 018 | CM4076420 | | | SEAL, O RING | SEAL, O RING | |
| 019 | CM4928395 | | | SENSOR, PRS TEMPERATURE | SENSOR, PRS TEMPERATURE | |
| 020 | CM4930487 | | | BRACKET, ETR CNT MODULE | BRACKET, ETR CNT MODULE | |
| 021 | CM4930488 | | | SPACER, MOUNTING | SPACER, MOUNTING | |
| 022 | CM4954905 | | | SENSOR, TEMPERATURE | SENSOR, TEMPERATURE | |
| 023 | CM4010519 | | | SEAL, O RING | SEAL, O RING | |
| 024 | CM4984575 | | | SENSOR, PRESSURE | SENSOR, PRESSURE | |
| 025 | CM4928592 | | | SEAL, O RING | SEAL, O RING | |
| 026 | CM5253177 | | | BRACKET, ETR CNT MODULE | BRACKET, ETR CNT MODULE | |

Fuel Pump & Fuel Piping

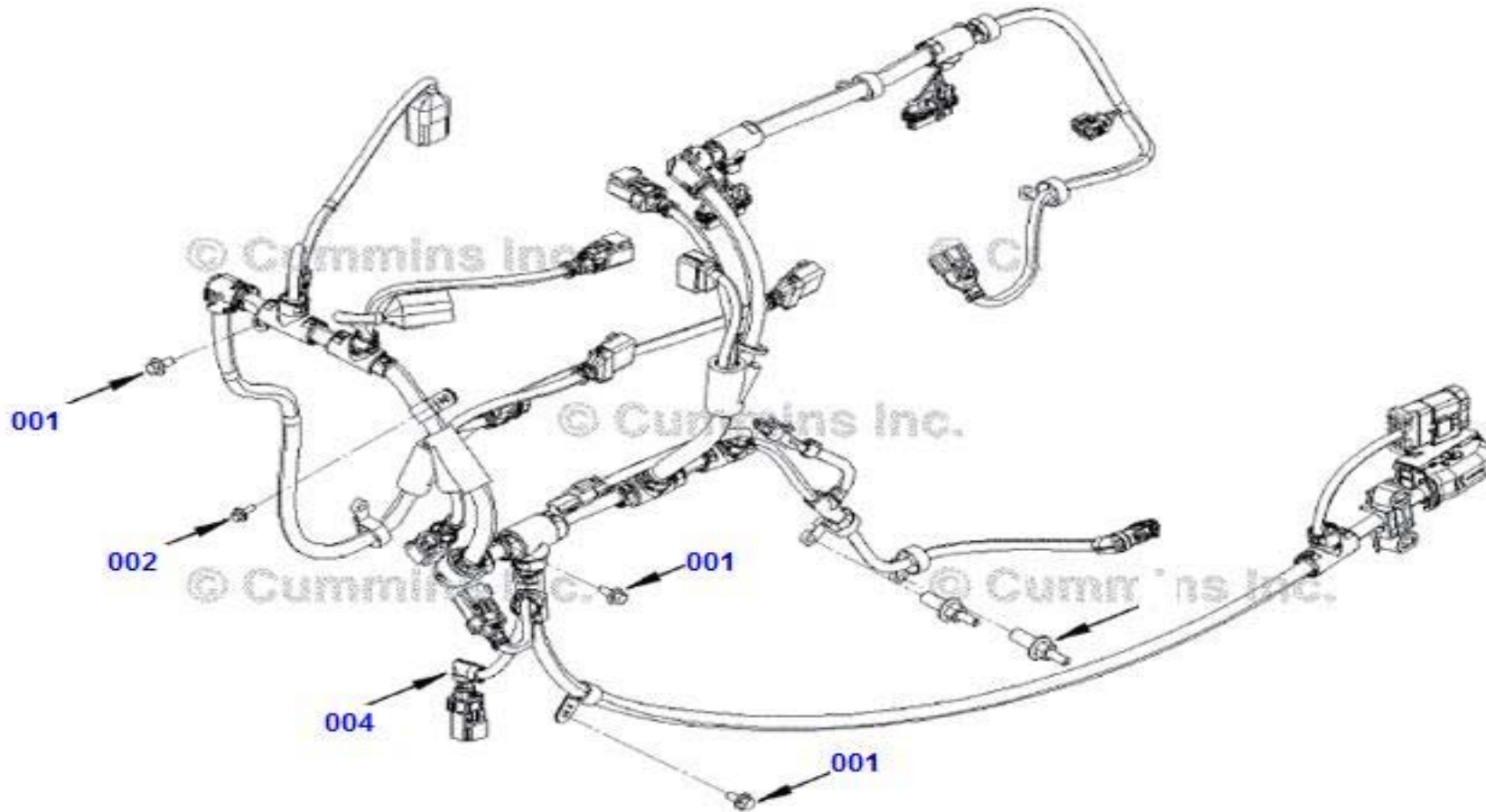
Engine

0103

0103

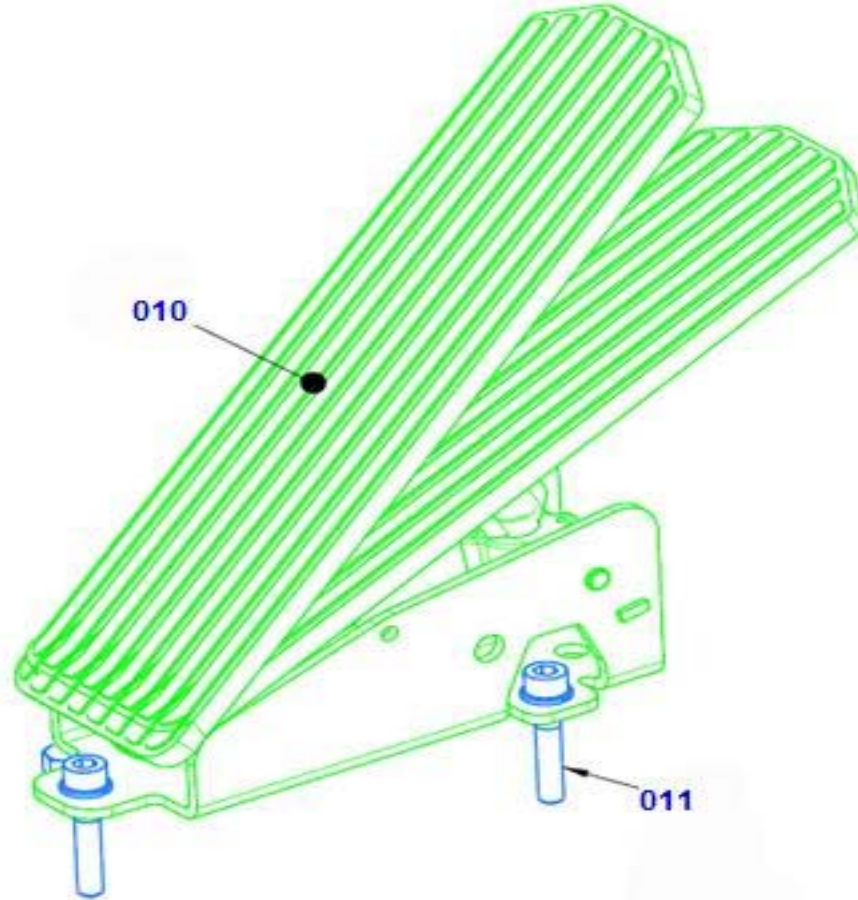
Engine

Fuel Pump & Fuel Piping



Picture No: WR968GM-00

| POZ | Part No | N.S.N | Code | Part Name (Türkçe) | Part Name (English) | Quantity |
|-----|-----------|-------|------|------------------------------------|----------------------------|-------------|
| | | | | <i>Fuel Pump & Fuel Piping</i> | | |
| 001 | CM3900629 | | | SCREW, HEX FLANGE HEAD CAP | SCREW, HEX FLANGE HEAD CAP | |
| 002 | CM3913638 | | | SCREW, HEX FLANGE HEAD CAP | SCREW, HEX FLANGE HEAD CAP | |
| 003 | CM3972984 | | | SCREW, STUDDED FLANGE CAP | SCREW, STUDDED FLANGE CAP | |
| 004 | CM5293836 | | | HARNESS, ETR CNT MDL WRG | HARNESS, ETR CNT MDL WRG | |
| | | | | Fuel Pump & Fuel Piping | Engine | 0103 |

0104**Engine****Accelerator Pedal & Control**

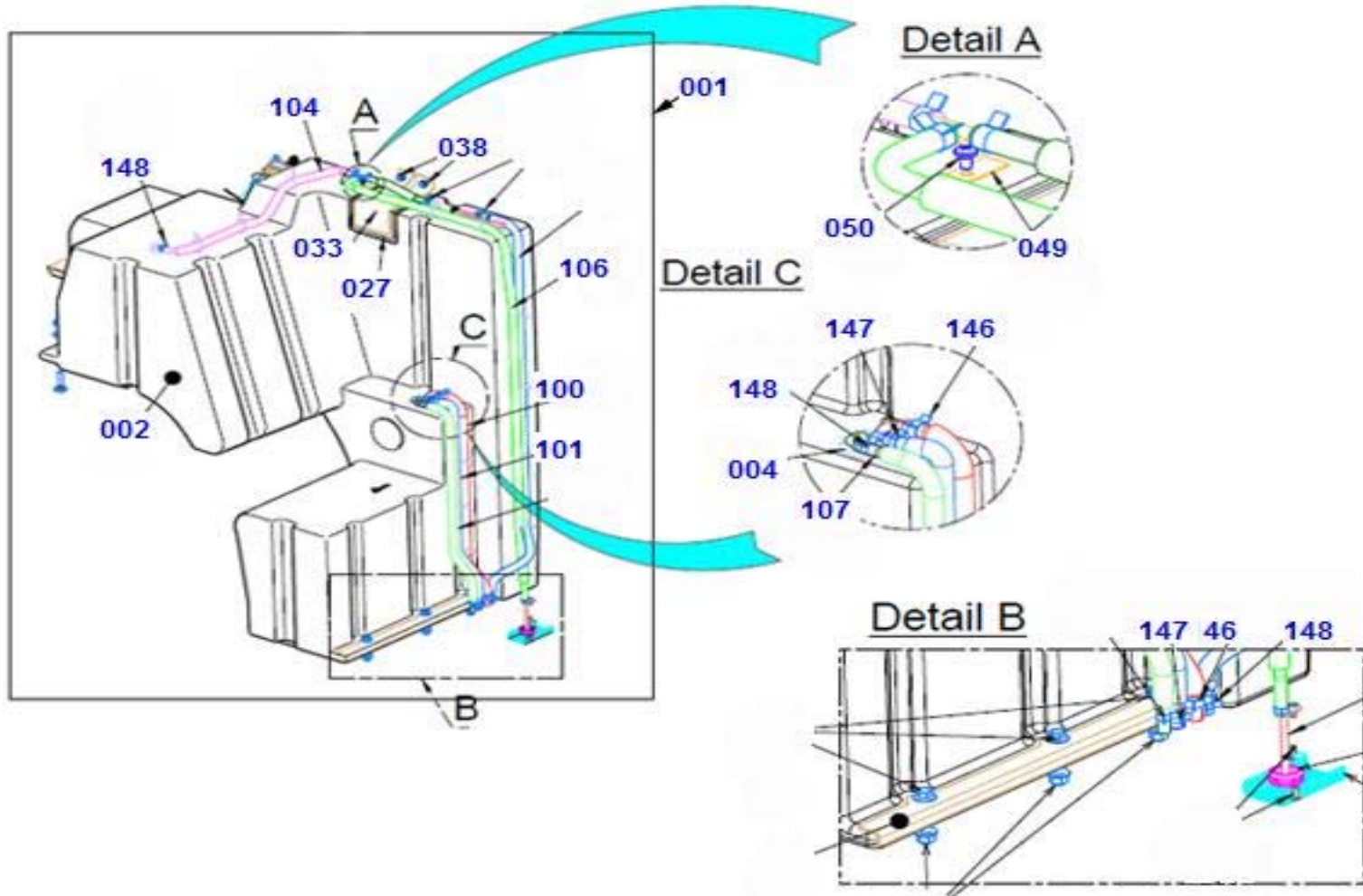
Picture No: EPL341010100-00

| POZ | Part No | N.S.N | Code | Part Name (Türkçe) | Part Name (English) | Quantity |
|-----------------------------|--------------|-------|------|--|--------------------------------------|----------|
| | | | | <i>Accelerator Pedal & Control</i> | | |
| 010 | 387040571201 | | | PEDAL, GAZ | ACCELERATOR PEDAL | 1 |
| 011 | 300090635101 | | | CIVATA, SLB M6X35, KALIN D. DIN912 | BOLT, SOCKET M6X35, COARSE T. DIN912 | 2 |
| Accelerator Pedal & Control | | | | Engine | | 0104 |

0105

Engine

Fuel Tank



Picture No: EPL341400100-00

| POZ | Part No | N.S.N | Code | Part Name (Türkçe) | Part Name (English) | Quantity |
|-----|--------------|-------|------|---|--|----------|
| | | | | <i>Fuel Tank</i> | | |
| 001 | 387032985301 | | | YAKIT TANKI, KOMPLE | FUEL TANK, ASM. | 1 |
| 002 | 387036539101 | | | YAKIT TANKI GOVDESİ, 300 LT | FUEL TANK BODY, 300 LT | 1 |
| 004 | 387036888101 | | | EMİS SETİ, YAKIT TANKI | SUCTION SET, FUEL TANK | 1 |
| 027 | 387035043001 | | | İZOLASYON, YAKIT TANKI, UST | INSULATION, FUEL TANK, TOP | 1 |
| 033 | 387033550001 | | | BRAKET, YAKIT TANKI, UST | PIPE, AIR INTAKE | 1 |
| 038 | 300121020601 | | | CIVATA, FLN M10X1. 5X20, KALIN D. DIN6921 | BOLT, FLN M10X1. 5X20, COARSE T. DIN6921 | 2 |
| 049 | 387019822001 | | | T BORU, GUVENLIK VALFI | T PIPE, PR. VALVE | 1 |
| 050 | 301600610301 | | | VIDA M6 M. B. DIN 7985 | SCREW M6 DIN 7985 | 1 |
| 100 | 387038768101 | | | HORTUM, YT, YAKIT EMİS | PIPE, AIR INTAKE | 1 |
| 101 | 387038769101 | | | HORTUM, YT, YAKIT DONUS | PIPE, AIR INTAKE | 1 |
| 104 | 387038008101 | | | HORTUM, GV ON | PIPE, AIR INTAKE | 1 |
| 106 | 387038010101 | | | HORTUM, DEPO HAVALANDIRMA | PIPE, AIR INTAKE | 2 |
| 107 | 387039028001 | | | TAPA Ø8, ON İSİTİCİ BORUSU | PLUG Ø8, PIPE, PREHEATER | 2 |
| 146 | 387035644001 | | | KELEPCE, HORTUM CAP 22 | PIPE, AIR INTAKE | 2 |
| 147 | 377779880001 | | | KELEPCE, HORTUM CAP 18 | CLAMPING, HOSE DIAMETER 18 | 2 |
| 148 | 377779879001 | | | KELEPCE, HORTUM | CLAMP, HOSE | 8 |

Fuel Tank

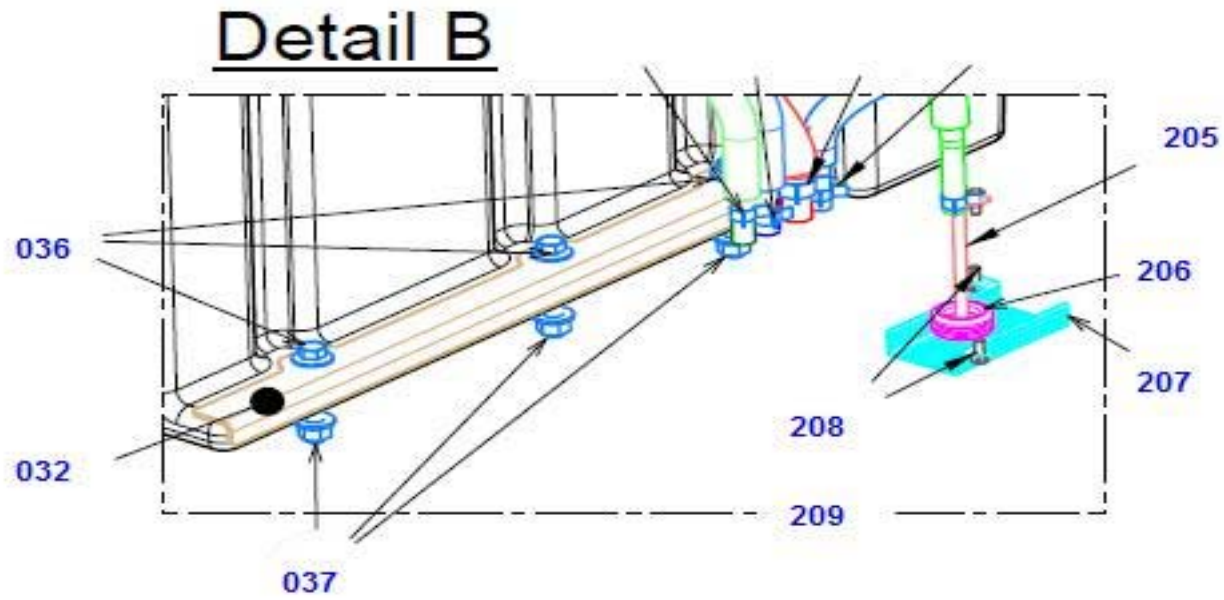
Engine

0105

0105

Engine

Fuel Tank



Picture No: EPL341400100-01



| POZ | Part No | N.S.N | Code | Part Name (Türkçe) | Part Name (English) | Quantity |
|-----|--------------|-------|------|---|--|----------|
| | | | | <i>Fuel Tank</i> | | |
| 032 | 387037904001 | | | MONTAJ PLAKASI, YT ARKA | PIPE, AIR INTAKE | 1 |
| 036 | 300121270601 | | | CIVATA, FLN M12X1. 75X70 KALIN D. DIN6921 | BOLT, FLN M12X1. 75X70 COARSE T. DIN6921 | 3 |
| 037 | 300620012601 | | | SOMUN, FLN M12X1. 75, KALIN D. DIN6923 | NUT, FLN M12X1. 75, COARSE T. DIN6923 | 4 |
| 205 | 387040022301 | | | BORU, HAVALANDIRMA, YAKIT TANKI | PIPE, VENTILATION, FUEL TANK | 1 |
| 206 | 387025671001 | | | GROMET | GROMMET | 1 |
| 207 | 387040023001 | | | SAC, KORUMA, YT HAVALANDIRMA | SHEET, PROTECTION, FT VENTILATION | 1 |
| 208 | 300010614001 | | | CIVATA, AKB M6X1X14, KALIN D. DIN933 | BOLT, HEX M6X1X14, COARSE T. DIN933 | 3 |
| 209 | 301000006001 | | | RONDELA, DUZ D=6 DIN 125 | PIPE, AIR INTAKE | 3 |

Fuel Tank

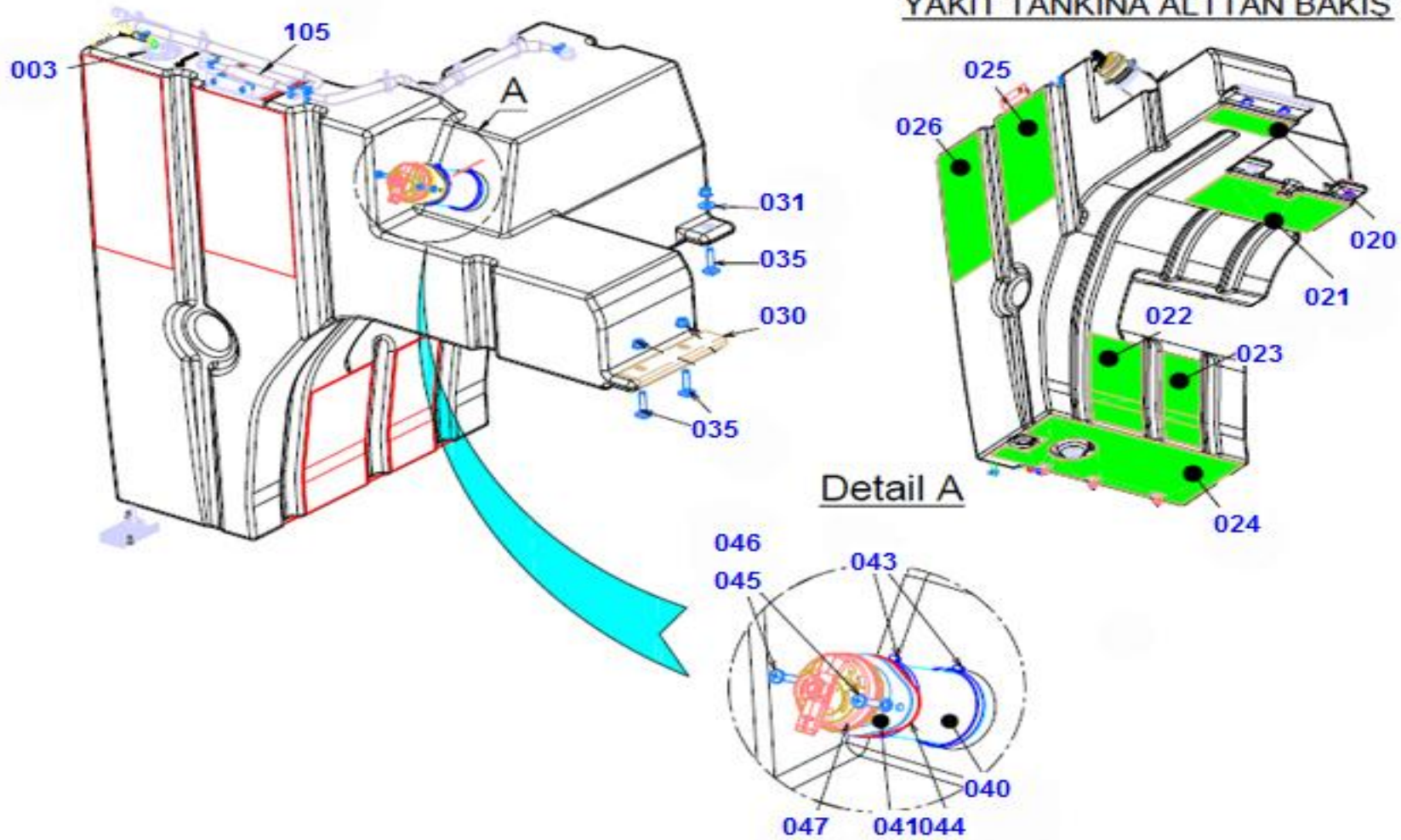
Engine

0105

0105

Engine

Fuel Tank



Picture No: EPL341400200-00

| POZ | Part No | N.S.N | Code | Part Name (Türkçe) | Part Name (English) | Quantity |
|-----|--------------|-------|------|--------------------------------------|------------------------------------|----------|
| | | | | <i>Fuel Tank</i> | | |
| 003 | 387036705001 | | | SAMANDIRA, YAKIT TANKI | FLOAT, FUEL TANK | 1 |
| 020 | 387038763001 | | | IZOLASYON, YT ON | INSULATION, FRONT | 1 |
| 021 | 387038764001 | | | IZOLASYON, YT ON 2 | INSULATION, FRONT 2 | 1 |
| 022 | 387038765001 | | | IZOLASYON, YT CAMURLUK 1 | INSULATION, MUDGUARD 1 | 1 |
| 023 | 387038766001 | | | IZOLASYON, YT CAMURLUK 2 | INSULATION, MUDGUARD 2 | 1 |
| 024 | 387038767001 | | | IZOLASYON, YT ALT, ARKA | INSULATION, BOTTOM, REAR | 1 |
| 025 | 387039023001 | | | IZOLASYON, YT, YAN PANO 1 | INSULATION, SIDE PANEL 1 | 1 |
| 026 | 387039024001 | | | IZOLASYON, YT, YAN PANO 2 | INSULATION, SIDE PANEL 2 | 1 |
| 030 | 387037905001 | | | MONTAJ PLAKASI, YT ON | PIPE, AIR INTAKE | 1 |
| 031 | 387039027001 | | | PUL, YT BAGLANTI | PIPE, AIR INTAKE | 2 |
| 035 | 387020806001 | | | T CIVATA, M12 | T BOLT, M12 | 4 |
| 040 | 387035045001 | | | YAKIT DOLUM HORTUMU | FUEL FILLING HOSE | 1 |
| 041 | 387039941201 | | | DOLUM BOGAZI, YAKIT TANKI | FILLING PIPE, FUEL TANK | 1 |
| 043 | 305350080801 | | | KELEPCE, VIDALI B9, Ø80-100, DIN3017 | CLAMP, W/BOLT B9, Ø80-100, DIN3017 | 2 |
| 044 | 387023227101 | | | CONTA, DOLUM BOGAZI | RING, FUEL LEAKAGE FUEL NECK | 1 |
| 045 | 301010008201 | | | RONDELA, YAYLI D=8 DIN 127 | WASHER, SPRING D= 8 DIN 127 | 2 |
| 046 | 301600830301 | | | VIDA, M8X30 | SCREW, M8X30 | 2 |
| 047 | 387040564001 | | | SET, DEPO KAPAKLARI | SET, TANK CAPS | 1 |
| 105 | 387038009101 | | | HORTUM, GV ARKA | PIPE, AIR INTAKE | 1 |

Fuel Tank

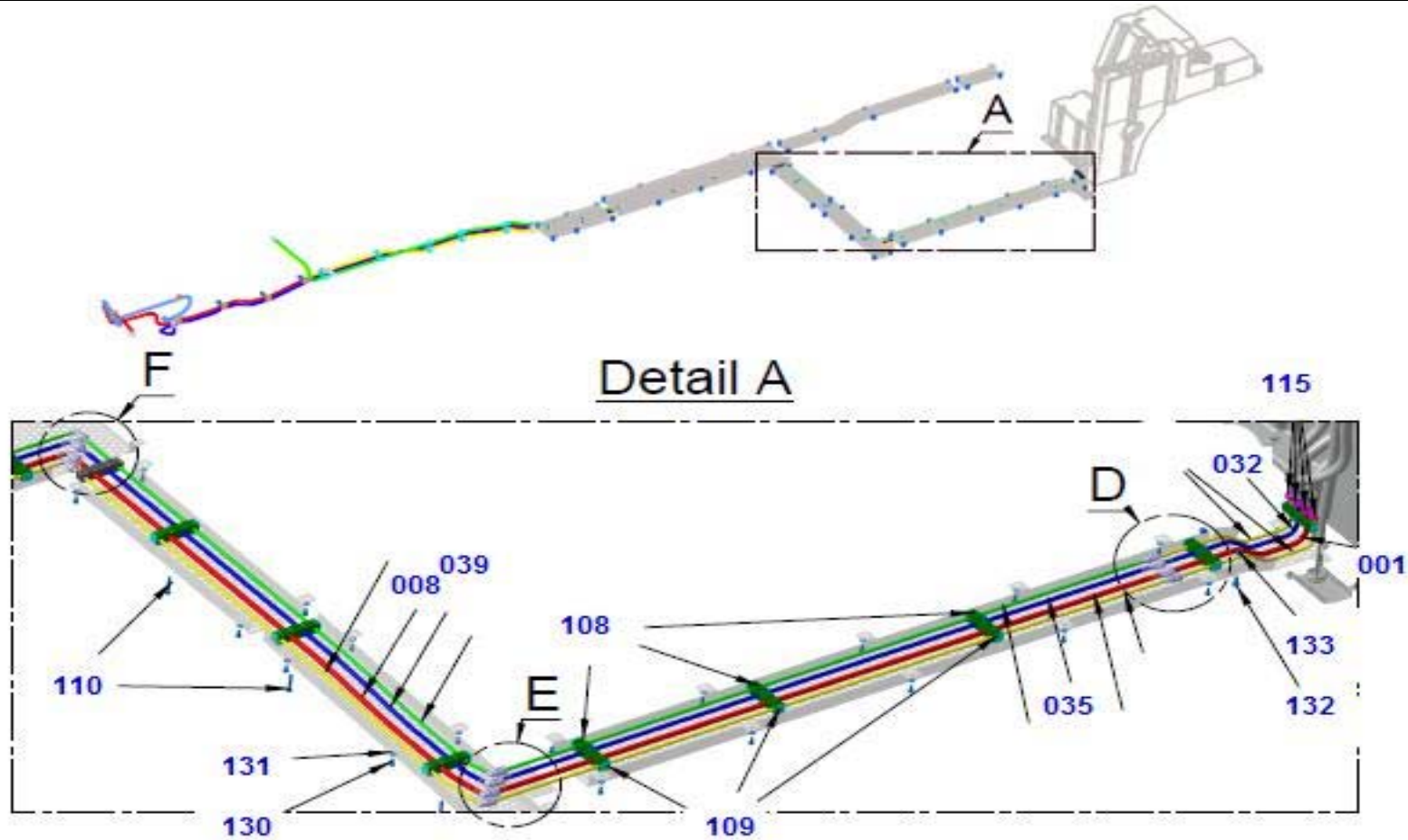
Engine

0105

0106

Engine

Fuel Piping (Chassis)



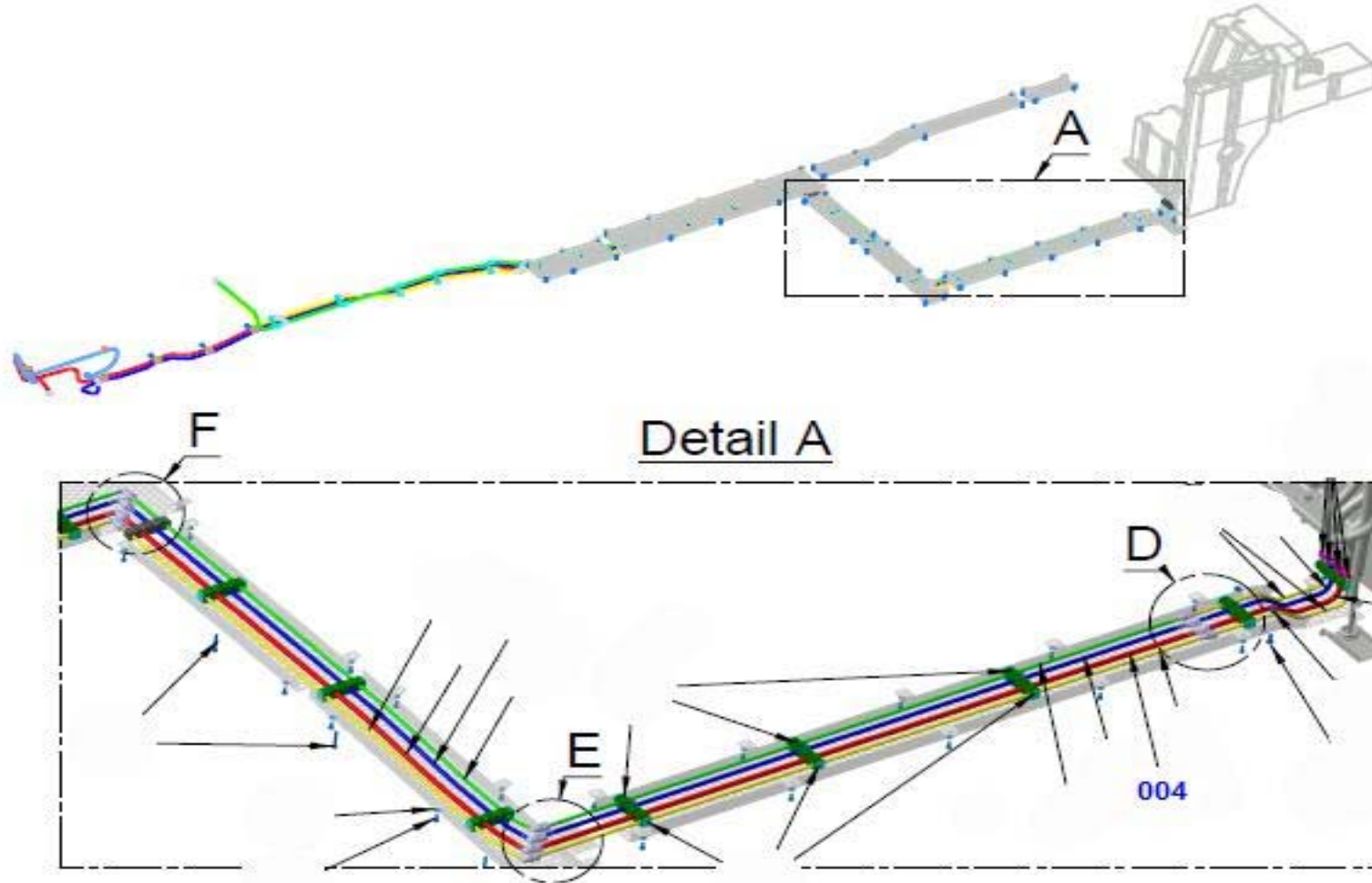
Picture No: EPL341410100-00

| POZ | Part No | N.S.N | Code | Part Name (Türkçe) | Part Name (English) | Quantity |
|------------------------------|--------------|-------|------|--|---|-------------|
| | | | | <i>Fuel Piping (Chassis)</i> | | |
| 001 | 387038721201 | | | HORTUM, YAKIT EMIS, KOMPLE | PIPE, AIR INTAKE | 1 |
| 008 | 387038723101 | | | HORTUM, YAKIT EMIS, KOMPLE | PIPE, AIR INTAKE | 1 |
| 032 | 387038729201 | | | HORTUM, YAKIT DONUS, KOMPLE | PIPE, AIR INTAKE | 1 |
| 035 | 387038730101 | | | HORTUM, YAKIT DONUS, KOMPLE | PIPE, AIR INTAKE | 1 |
| 039 | 387038731101 | | | HORTUM, YAKIT DONUS, KOMPLE | PIPE, AIR INTAKE | 1 |
| 108 | 387035443001 | | | TUTUCU, YAKIT HATTI | RETAINER, FUEL LINE | 21 |
| 109 | 387028487001 | | | BRAKET, YAKIT TANKI | BRACKET, FUEL TANK | 19 |
| 110 | 300030645401 | | | CIVATA, AKB M6X1X45, KALIN D. DIN931 | BOLT, HEX M6X1X45, COARSE T. DIN931 | 19 |
| 115 | 388883158001 | | | GROMET | GROMMET | 4 |
| 130 | 300010614401 | | | CIVATA, AKB M6X1X14, KALIN D. DIN933 | BOLT, HEX M6X1X14, COARSE T. DIN933 | 48 |
| 131 | 301000006401 | | | RONDELA, Ø6MM | PIPE, AIR INTAKE | 48 |
| 132 | 300010812401 | | | CIVATA, AKB M8X1. 25X12, KALIN D. DIN933 | BOLT, HEX M8X1. 25X12, COARSE T. DIN933 | 2 |
| 133 | 300500008401 | | | SOMUN, AKB M8X1. 25, KALIN D. DIN934 | NUT, HEX M8X1. 25, COARSE T. DIN934 | 2 |
| Fuel Piping (Chassis) | | | | Engine | | 0106 |

0106

Engine

Fuel Piping (Chassis)



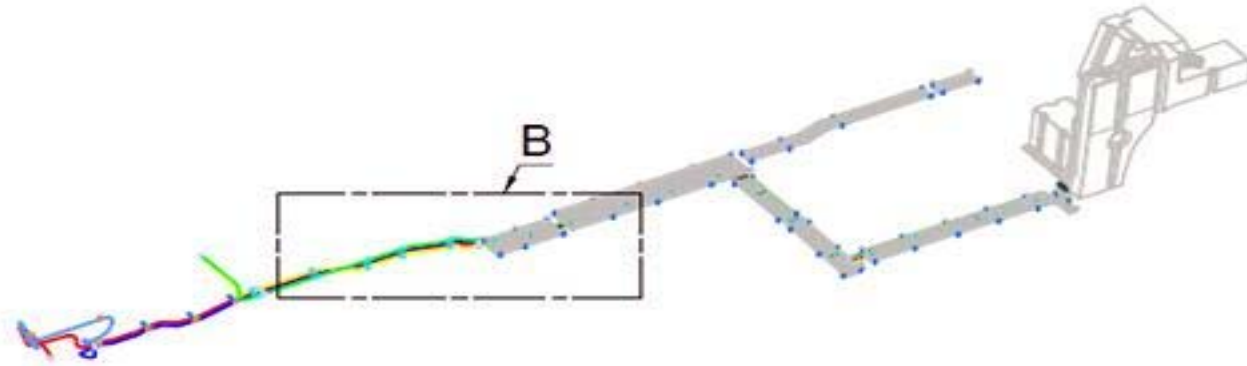
Picture No: EPL341410100-01

| POZ | Part No | N.S.N | Code | Part Name (Türkçe) | Part Name (English) | Quantity |
|------------------------------|--------------|-------|------|------------------------------|---------------------|-------------|
| | | | | <i>Fuel Piping (Chassis)</i> | | |
| 003 | 387037361001 | | | SPIGOT, YAKIT KONNEKTORU | MALE TUBE END, FUEL | 1 |
| 004 | 387038722101 | | | HORTUM, YAKIT EMIS, KOMPLE | PIPE, AIR INTAKE | 1 |
| 005 | 387037360001 | | | KONNEKTOR, YAKIT | CONNECTOR, FUEL | 1 |
| 007 | 387037361001 | | | SPIGOT, YAKIT KONNEKTORU | MALE TUBE END, FUEL | 1 |
| 010 | 387037367001 | | | KONNEKTOR, YAKIT | CONNECTOR, FUEL | 1 |
| 010 | 387040470001 | | | KONNEKTOR, YAKIT | CONNECTOR, FUEL | 1 |
| 011 | 387037361001 | | | SPIGOT, YAKIT KONNEKTORU | MALE TUBE END, FUEL | 1 |
| 013 | 387037367001 | | | KONNEKTOR, YAKIT | CONNECTOR, FUEL | 1 |
| 034 | 387037365001 | | | SPIGOT, YAKIT KONNEKTORU | MALE TUBE END, FUEL | 1 |
| 036 | 387037364001 | | | KONNEKTOR, YAKIT | CONNECTOR, FUEL | 1 |
| 038 | 387037365001 | | | SPIGOT, YAKIT KONNEKTORU | MALE TUBE END, FUEL | 1 |
| 041 | 387037368001 | | | KONNEKTOR, YAKIT | CONNECTOR, FUEL | 1 |
| 042 | 387037365001 | | | SPIGOT, YAKIT KONNEKTORU | MALE TUBE END, FUEL | 1 |
| 044 | 387037368001 | | | KONNEKTOR, YAKIT | CONNECTOR, FUEL | 1 |
| Fuel Piping (Chassis) | | | | Engine | | 0106 |

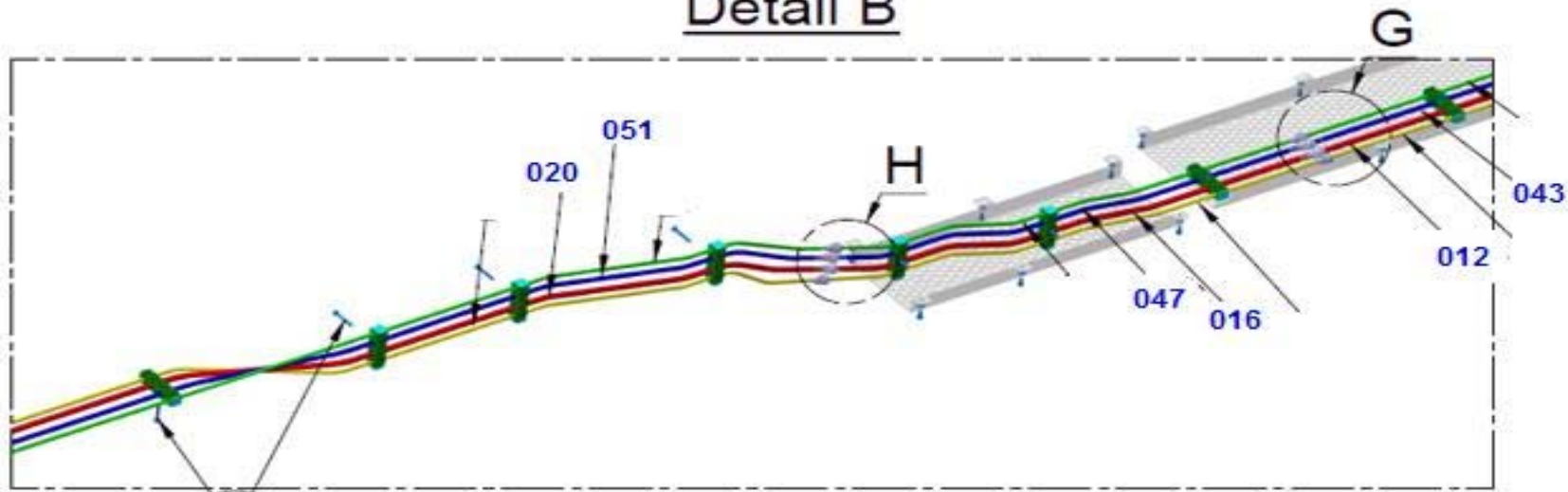
0106

Engine

Fuel Piping (Chassis)



Detail B



Picture No: EPL341410200-00

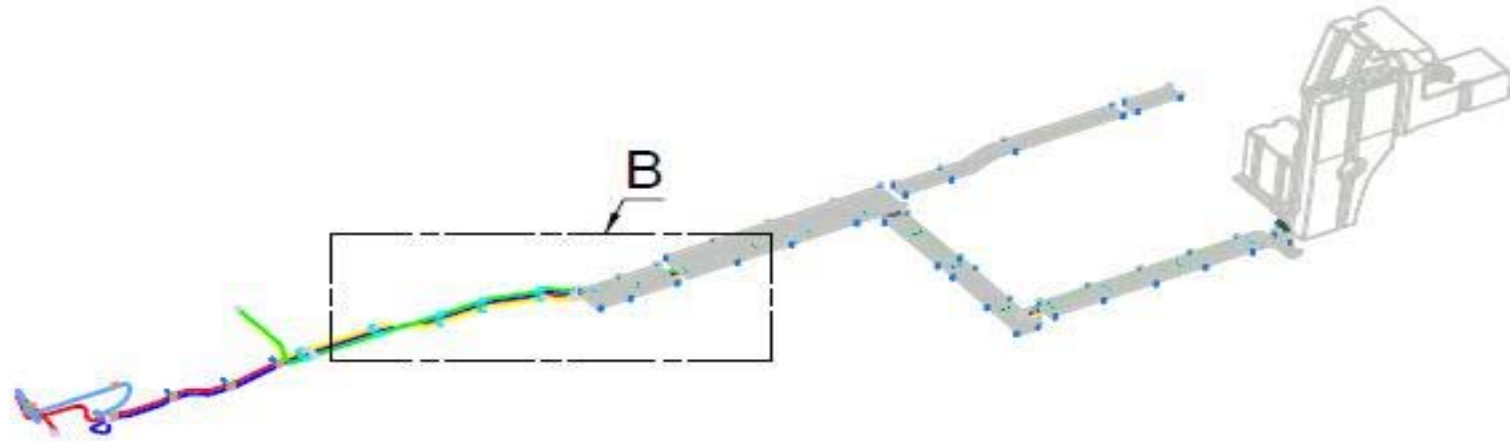


| POZ | Part No | N.S.N | Code | Part Name (Türkçe) | Part Name (English) | Quantity |
|------------------------------|--------------|-------|------|------------------------------|---------------------|-------------|
| | | | | <i>Fuel Piping (Chassis)</i> | | |
| 012 | 387038724101 | | | HORTUM, YAKIT EMIS, KOMPLE | PIPE, AIR INTAKE | 1 |
| 016 | 387038725101 | | | HORTUM, YAKIT EMIS, KOMPLE | PIPE, AIR INTAKE | 1 |
| 020 | 387038726101 | | | HORTUM, YAKIT EMIS, KOMPLE | PIPE, AIR INTAKE | 1 |
| 043 | 387038732101 | | | HORTUM, YAKIT DONUS, KOMPLE | PIPE, AIR INTAKE | 1 |
| 047 | 387038733101 | | | HORTUM, YAKIT DONUS, KOMPLE | PIPE, AIR INTAKE | 1 |
| 051 | 387038734101 | | | HORTUM, YAKIT DONUS, KOMPLE | PIPE, AIR INTAKE | 1 |
| Fuel Piping (Chassis) | | | | Engine | | 0106 |

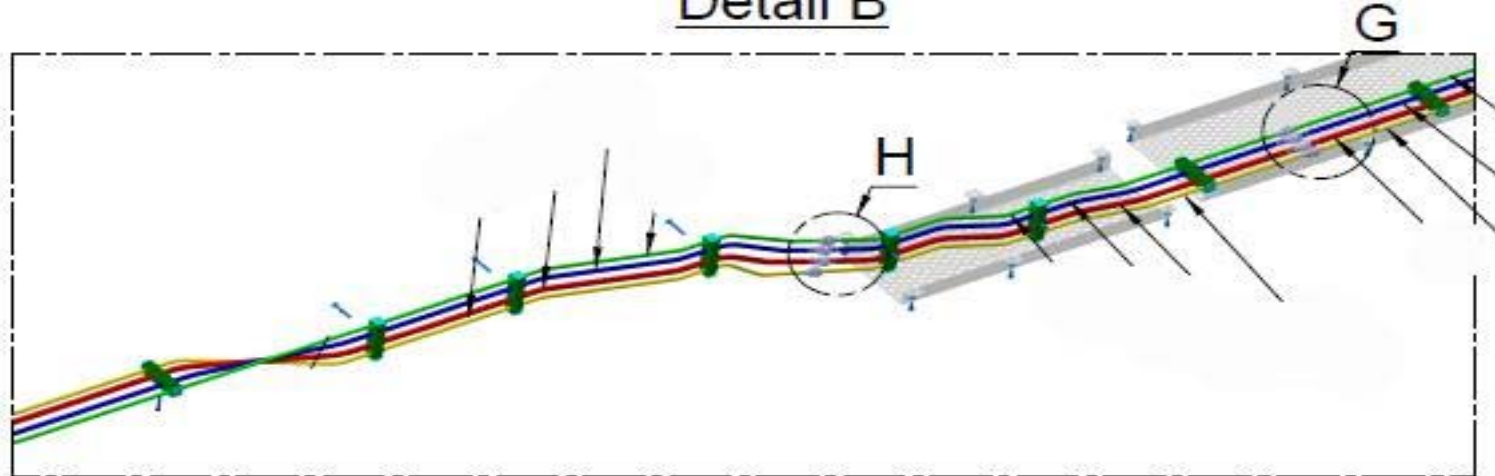
0106

Engine

Fuel Piping (Chassis)



Detail B



Picture No: EPL341410200-01

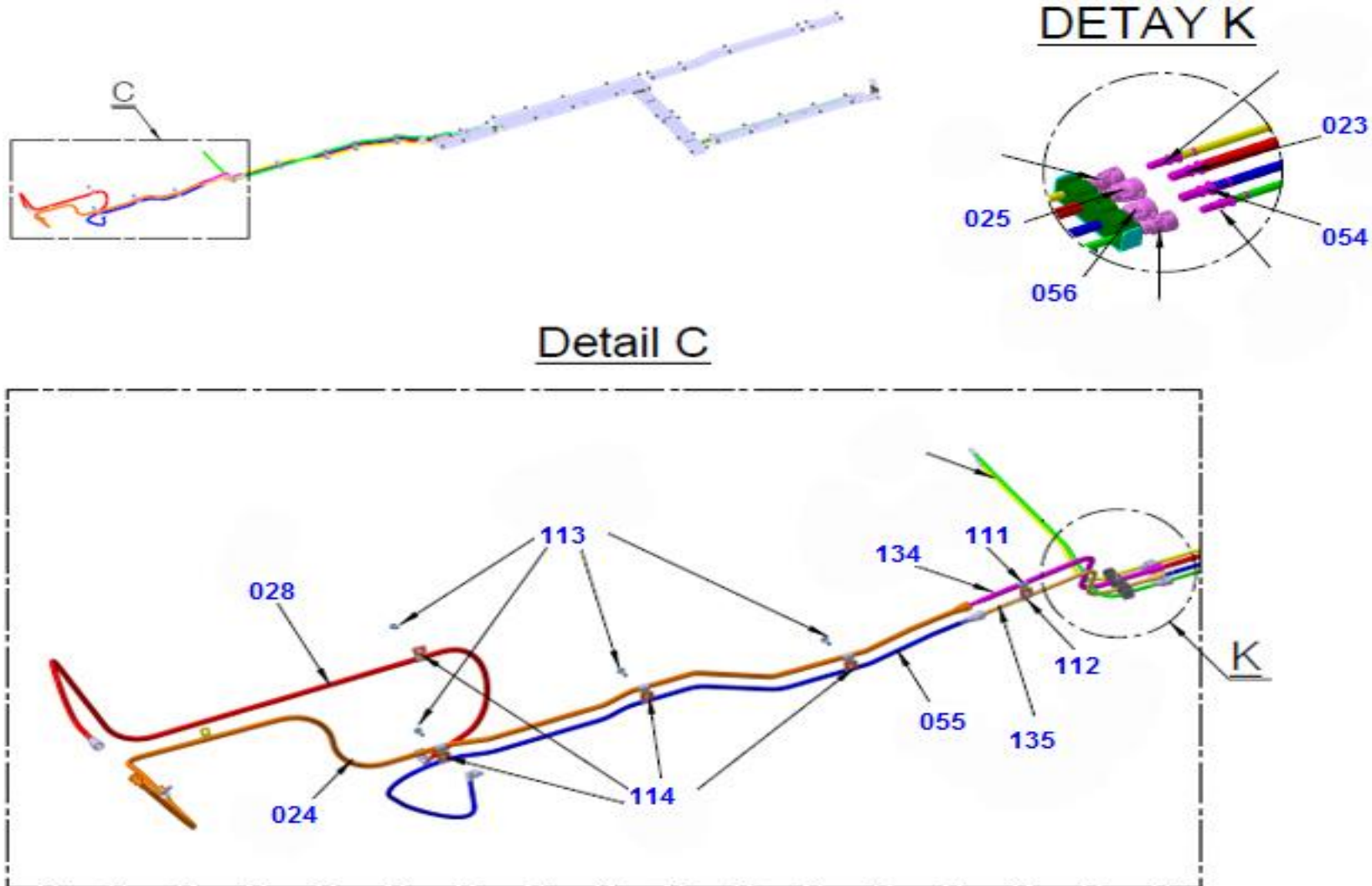


| POZ | Part No | N.S.N | Code | Part Name (Türkçe) | Part Name (English) | Quantity |
|-----|--------------|-------|------|------------------------------|---------------------|-------------|
| | | | | <i>Fuel Piping (Chassis)</i> | | |
| 017 | 387037360001 | | | KONNEKTOR, YAKIT | CONNECTOR, FUEL | 1 |
| 019 | 387037361001 | | | SPIGOT, YAKIT KONNEKTORU | MALE TUBE END, FUEL | 1 |
| 021 | 387037360001 | | | KONNEKTOR, YAKIT | CONNECTOR, FUEL | 1 |
| 046 | 387037365001 | | | SPIGOT, YAKIT KONNEKTORU | MALE TUBE END, FUEL | 1 |
| 048 | 387037364001 | | | KONNEKTOR, YAKIT | CONNECTOR, FUEL | 1 |
| 050 | 387037365001 | | | SPIGOT, YAKIT KONNEKTORU | MALE TUBE END, FUEL | 1 |
| 052 | 387037364001 | | | KONNEKTOR, YAKIT | CONNECTOR, FUEL | 1 |
| | | | | Fuel Piping (Chassis) | Engine | 0106 |

0106

Engine

Fuel Piping (Chassis)



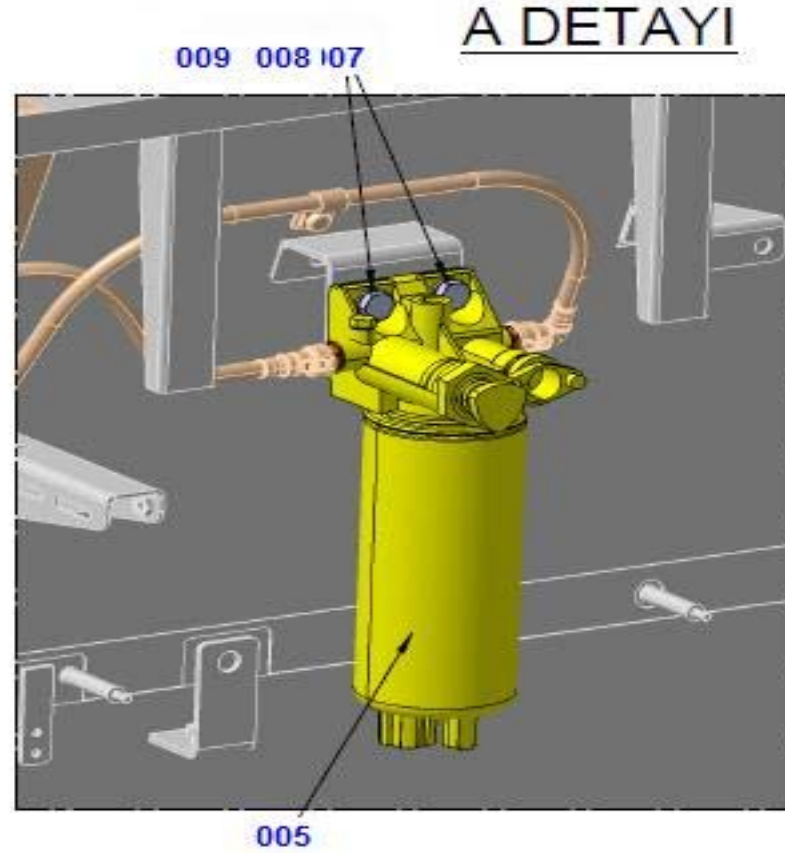
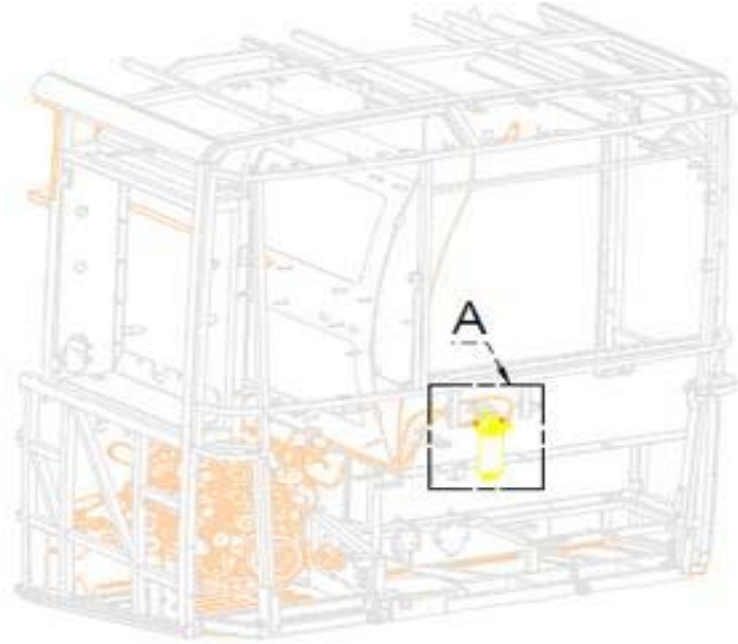
Picture No: EPL341410300-00

| POZ | Part No | N.S.N | Code | Part Name (Türkçe) | Part Name (English) | Quantity |
|------------------------------|--------------|-------|------|--|---|-------------|
| | | | | <i>Fuel Piping (Chassis)</i> | | |
| 023 | 387037361001 | | | SPIGOT, YAKIT KONNEKTORU | MALE TUBE END, FUEL | 1 |
| 024 | 387038727201 | | | HORTUM, YAKIT EMIS, KOMPLE | PIPE, AIR INTAKE | 1 |
| 025 | 387037360001 | | | KONNEKTOR, YAKIT | CONNECTOR, FUEL | 1 |
| 028 | 387038728201 | | | HORTUM, YAKIT EMIS, KOMPLE | PIPE, AIR INTAKE | 1 |
| 054 | 387037365001 | | | SPIGOT, YAKIT KONNEKTORU | MALE TUBE END, FUEL | 1 |
| 055 | 387044984001 | | | HORTUM, YAKIT DONUS KOMP | HOSE, FUEL RETURN ASSEMBLY | 1 |
| 056 | 387037364001 | | | KONNEKTOR, YAKIT | CONNECTOR, FUEL | 1 |
| 111 | 387035981001 | | | KLIPS, D12 | CLIP, D12 | 6 |
| 112 | 387035980001 | | | KLIPS, D10 | CLIP, D10 | 4 |
| 113 | 300010820401 | | | CIVATA, AKB M8X1. 25X22, KALIN D. DIN933 | BOLT, HEX M8X1. 25X20, COARSE T. DIN933 | 6 |
| 114 | 387038681001 | | | KLIPS, VIDALI M8 | CLIP | 6 |
| 134 | 387043575001 | | | HORTUM, YAKIT EMIS KOMP. | HOSE, FUEL INTAKE | 1 |
| 135 | 387043576001 | | | HORTUM, YAKIT DONUS KOMP. | HOSE, FUEL RETURN | 1 |
| Fuel Piping (Chassis) | | | | Engine | | 0106 |

0107

Engine

Water Sedimenter, Fuel



Picture No: EPL341450100-00

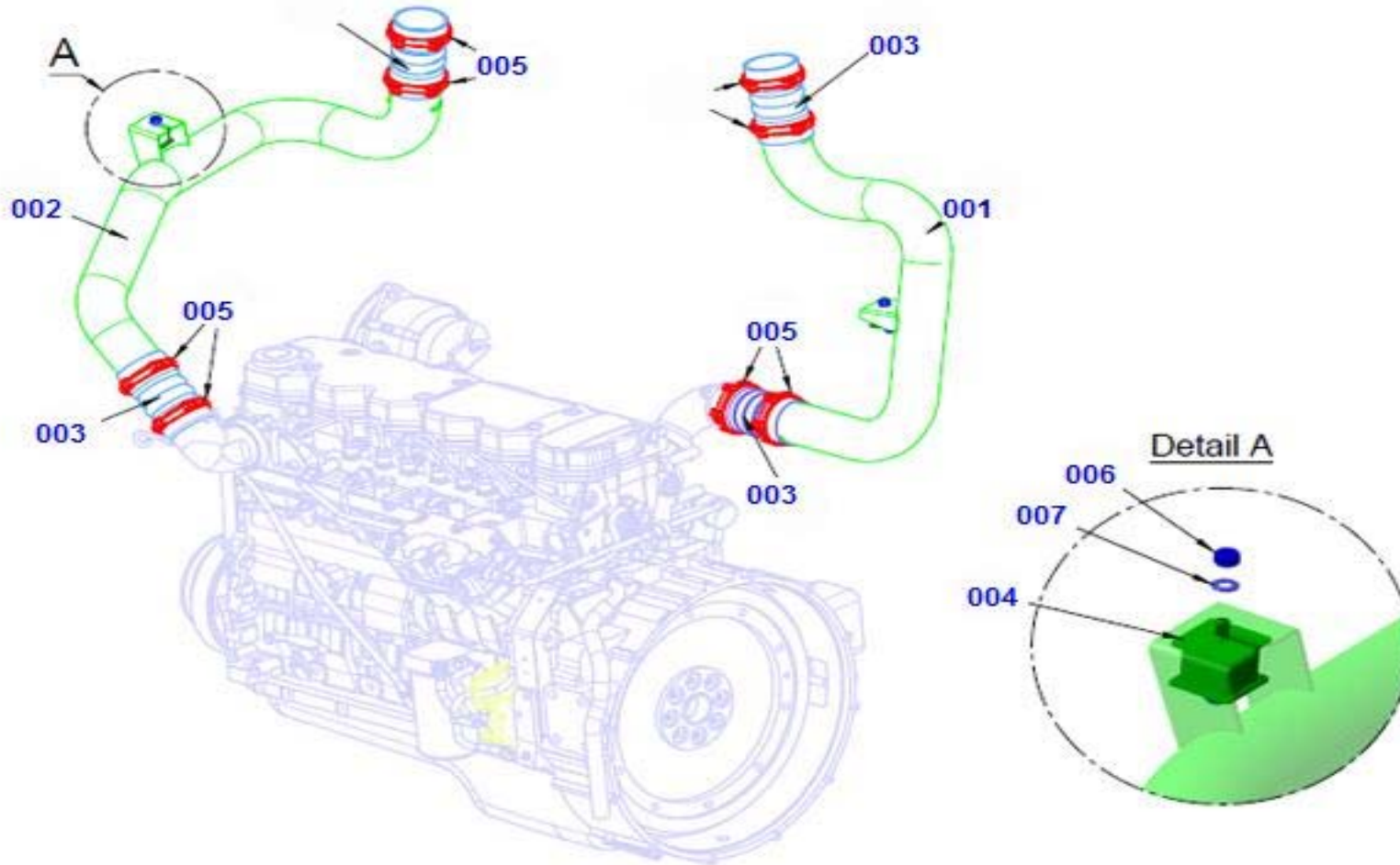


| POZ | Part No | N.S.N | Code | Part Name (Türkçe) | Part Name (English) | Quantity |
|-----|--------------|-------|------|---|--|-------------|
| | | | | <i>Water Sedimenter,Fuel</i> | | |
| 005 | 387037821001 | | | SPIGOT, SEDIMENTER | SPIGOT, SEDIMENTER | 2 |
| 007 | 300011250401 | | | CIVATA, AKB M12X1. 75X50, KALIN D. DIN933 | BOLT, HEX M12X1. 75X50, COARSE T. DIN933 | 2 |
| 008 | 301010012401 | | | RONDELA, YAYLI D=12 DIN 127 | WASHER Ø12 | 2 |
| 009 | 300500012401 | | | SOMUN, AKB M12X1. 75, KALIN D. DIN934 | NUT, HEX M12X1. 75, COARSE T. DIN934 | 2 |
| | | | | Water Sedimenter,Fuel | Engine | 0107 |

0108

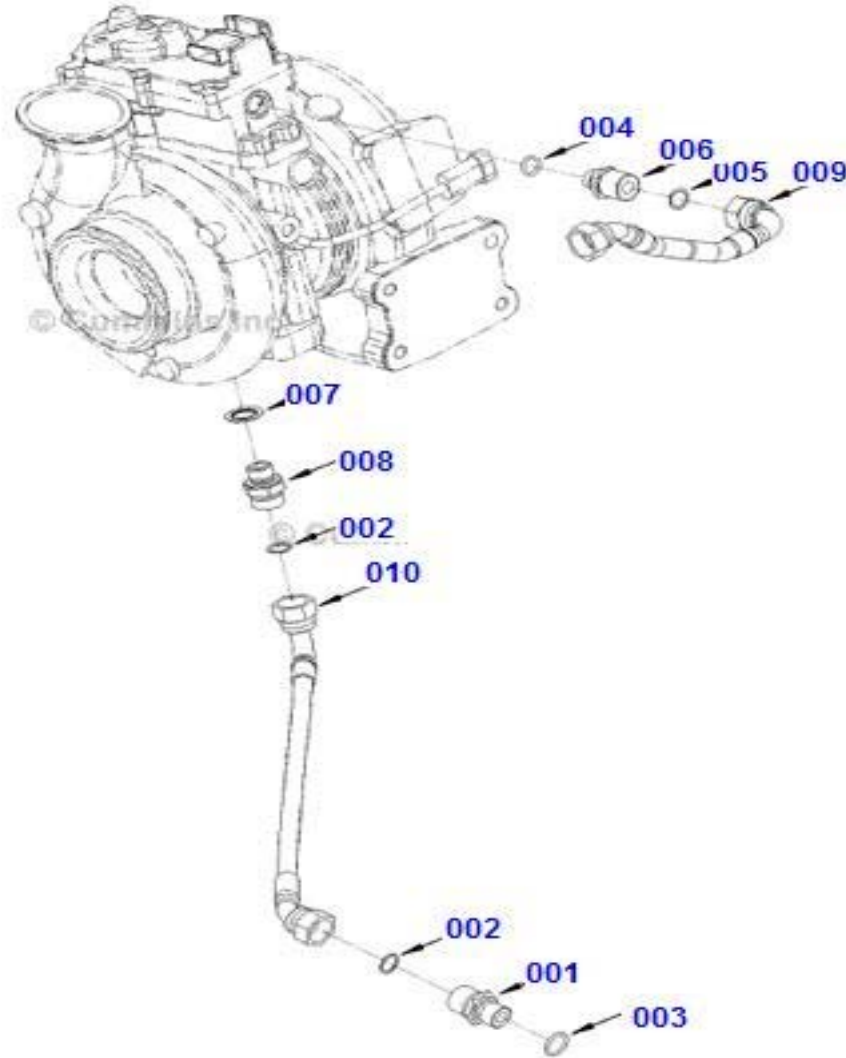
Engine

Turbocharger Sys.



Picture No: EPL340360100-00

| POZ | Part No | N.S.N | Code | Part Name (Türkçe) | Part Name (English) | Quantity |
|-----|--------------|-------|------|--------------------------------------|--|-------------|
| | | | | <i>Turbocharger Sys.</i> | | |
| 001 | 387040846001 | | | BORU, KOMPLE INERCOOLER GIRIS | PIPE, ASM. INTERCOOLER ENTRY | 1 |
| 002 | 387040722001 | | | BORU, KOMPLE INTERCOOLER ÇIKIS | PIPE, ASM. INTERCOOLER EXIT | 1 |
| 003 | 387033564251 | | | HORTUM, INTERCOOLER YAYLI | HOSE, INTERCOOLER, WITH RESTRAINING RING | 4 |
| 004 | 894158155101 | | | TAKOZ, HAVA BACASI ALT | BLOCK, AIR CHIMNEY BOTTOM | 2 |
| 005 | 387038875001 | | | KELEPCE | CLAMP | 8 |
| 006 | 300500008601 | | | SOMUN, AKB M8X1. 25, KALIN D. DIN934 | NUT, HEX M8X1. 25, COARSE T. DIN934 | 4 |
| 007 | 301000008601 | | | RONDELA, DUZ D=8 DIN 125 | WASHER, PLAIN D= 8 DIN 125 | 4 |
| | | | | Turbocharger Sys. | Engine | 0108 |

0108**Engine****Turbocharger Sys.**

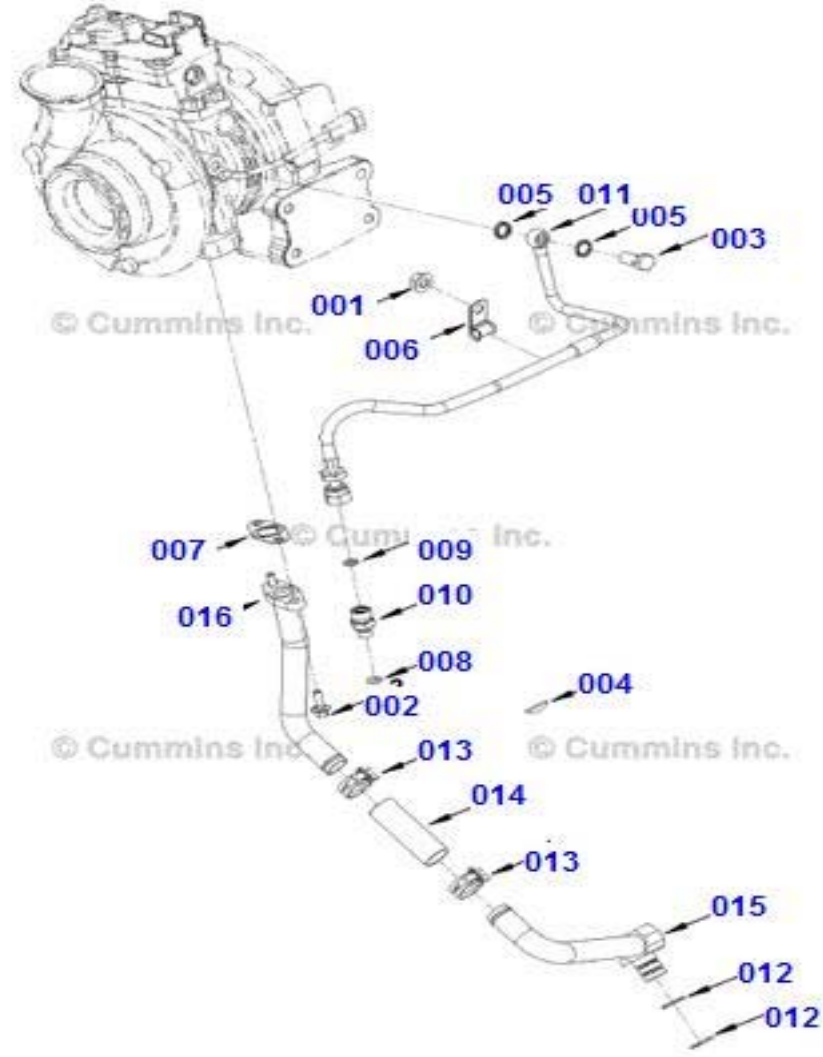
Picture No: TP967GL-00

| POZ | Part No | N.S.N | Code | Part Name (Türkçe) | Part Name (English) | Quantity |
|--------------------------|-----------|-------|------|--------------------------|---------------------|-------------|
| | | | | <i>Turbocharger Sys.</i> | | |
| 000 | CM3331873 | | | UNION, MALE | UNION, MALE | |
| 000 | CM3866196 | | | CONNECTOR, MALE | CONNECTOR, MALE | |
| 000 | CM4980591 | | | UNION, MALE | UNION, MALE | |
| 001 | CM3331838 | | | UNION, MALE | UNION, MALE | |
| 002 | CM3627695 | | | SEAL, O RING | SEAL, O RING | |
| 003 | CM3678786 | | | SEAL, O RING | SEAL, O RING | |
| 004 | CM3330202 | | | SEAL, O RING | SEAL, O RING | |
| 005 | CM3348703 | | | SEAL, O RING | SEAL, O RING | |
| 006 | CM3393991 | | | CONNECTOR, MALE | CONNECTOR, MALE | |
| 007 | CM4944257 | | | WASHER, SEALING | WASHER, SEALING | |
| 008 | CM4980590 | | | UNION, MALE | UNION, MALE | |
| 009 | CM5289603 | | | HOSE, FLEXIBLE | HOSE, FLEXIBLE | |
| 010 | CM5298328 | | | HOSE, FLEXIBLE | HOSE, FLEXIBLE | |
| Turbocharger Sys. | | | | Engine | | 0108 |

0108

Engine

Turbocharger Sys.



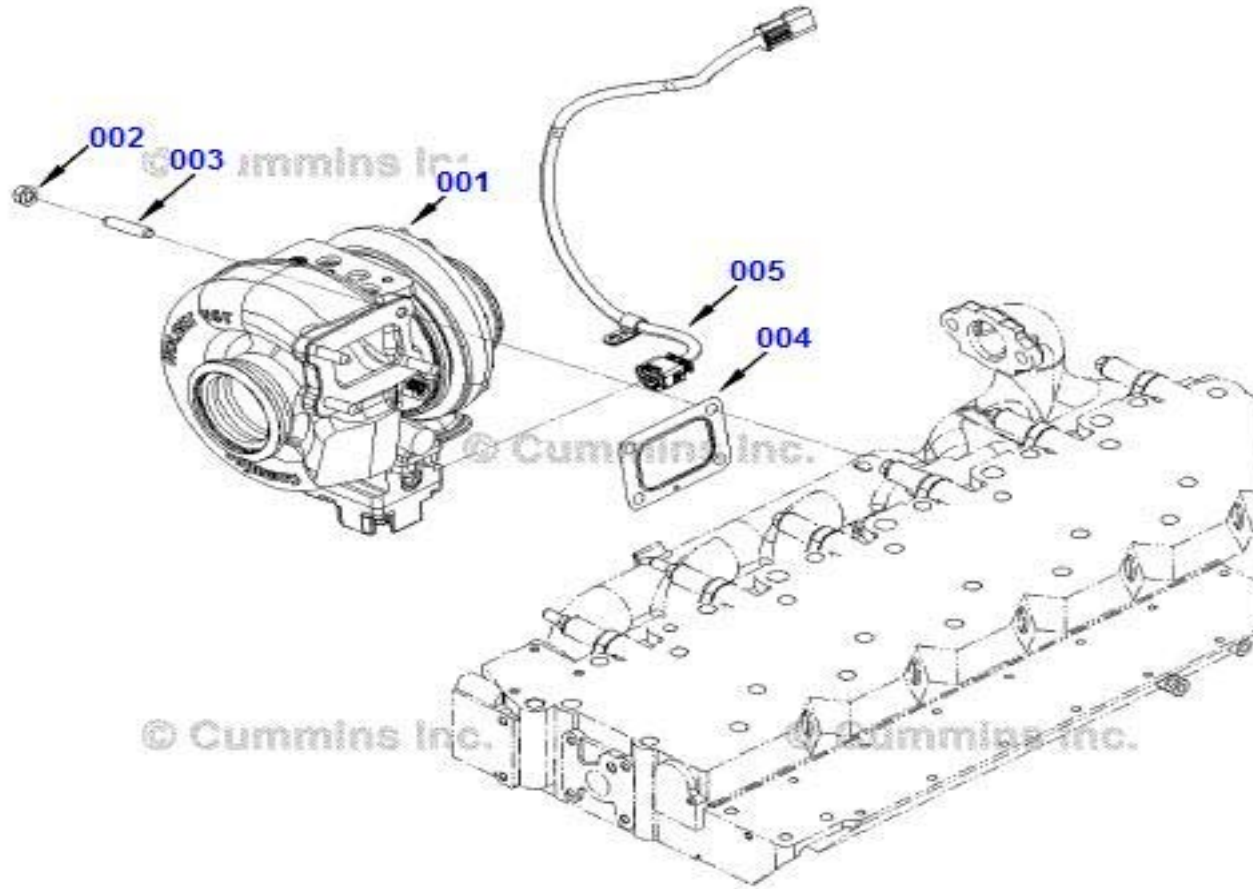
Picture No: TP967GM-00

| POZ | Part No | N.S.N | Code | Part Name (Türkçe) | Part Name (English) | Quantity |
|--------------------------|-----------|-------|------|----------------------------|----------------------------|-------------|
| | | | | <i>Turbocharger Sys.</i> | | |
| 000 | CM4940183 | | | UNION, MALE | UNION, MALE | |
| 000 | CM5294345 | | | CONNECTION, TUR OIL DRAIN | CONNECTION, TUR OIL DRAIN | |
| 001 | CM3093828 | | | NUT, HEXAGON FLANGE | NUT, HEXAGON FLANGE | |
| 002 | CM3900630 | | | SCREW, HEX FLANGE HEAD CAP | SCREW, HEX FLANGE HEAD CAP | |
| 003 | CM3903035 | | | SCREW, BANJO CONNECTOR | SCREW, BANJO CONNECTOR | |
| 004 | CM3920706 | | | PLUG, EXPANSION | PLUG, EXPANSION | |
| 005 | CM3963983 | | | WASHER, SEALING | WASHER, SEALING | |
| 006 | CM3965818 | | | CLAMP, TUBE | CLAMP, TUBE | |
| 007 | CM4891288 | | | GASKET, OIL DRAIN | GASKET, OIL DRAIN | |
| 008 | CM3678603 | | | SEAL, O RING | SEAL, O RING | |
| 009 | CM3922794 | | | SEAL, O RING | SEAL, O RING | |
| 010 | CM4940182 | | | UNION, MALE | UNION, MALE | |
| 011 | CM5288793 | | | HOSE, FLEXIBLE | HOSE, FLEXIBLE | |
| 012 | CM3928624 | | | SEAL, O RING | SEAL, O RING | |
| 013 | CM3937613 | | | CLAMP, HOSE | CLAMP, HOSE | |
| 014 | CM5263842 | | | HOSE, PLAIN | HOSE, PLAIN | |
| 015 | CM5294339 | | | CONNECTION, TUR OIL DRAIN | CONNECTION, TUR OIL DRAIN | |
| 016 | CM5294346 | | | CONNECTION, TUR OIL DRAIN | CONNECTION, TUR OIL DRAIN | |
| Turbocharger Sys. | | | | Engine | | 0108 |

0109

Engine

Turbocharger



Picture No: PP9001GD-00

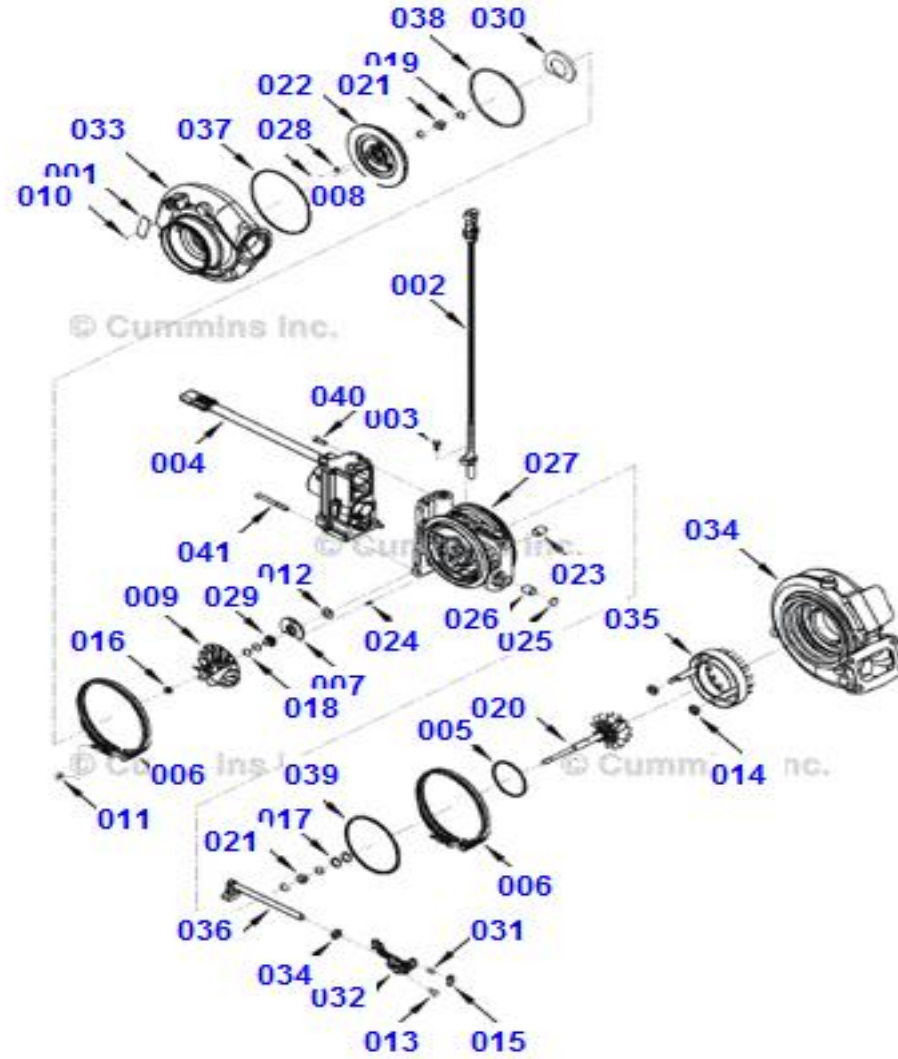


| POZ | Part No | N.S.N | Code | Part Name (Türkçe) | Part Name (English) | Quantity |
|-----|-----------|-------|------|------------------------|------------------------|-------------|
| | | | | <i>Turbocharger</i> | | |
| 000 | CM3786024 | | | TURBOCHARGER | TURBOCHARGER | |
| 001 | CM3786022 | | | TURBOCHARGER | TURBOCHARGER | |
| 002 | CM3818824 | | | NUT, HEXAGON FLANGE | NUT, HEXAGON FLANGE | |
| 003 | CM4931642 | | | STUD, DOUBLE END PLAIN | STUD, DOUBLE END PLAIN | |
| 004 | CM5266419 | | | GASKET, TURBOCHARGER | GASKET, TURBOCHARGER | |
| 005 | CM5297244 | | | HARNESS, WIRING | HARNESS, WIRING | |
| | | | | Turbocharger | Engine | 0109 |

0109

Engine

Turbocharger



Picture No: PP965GN-00

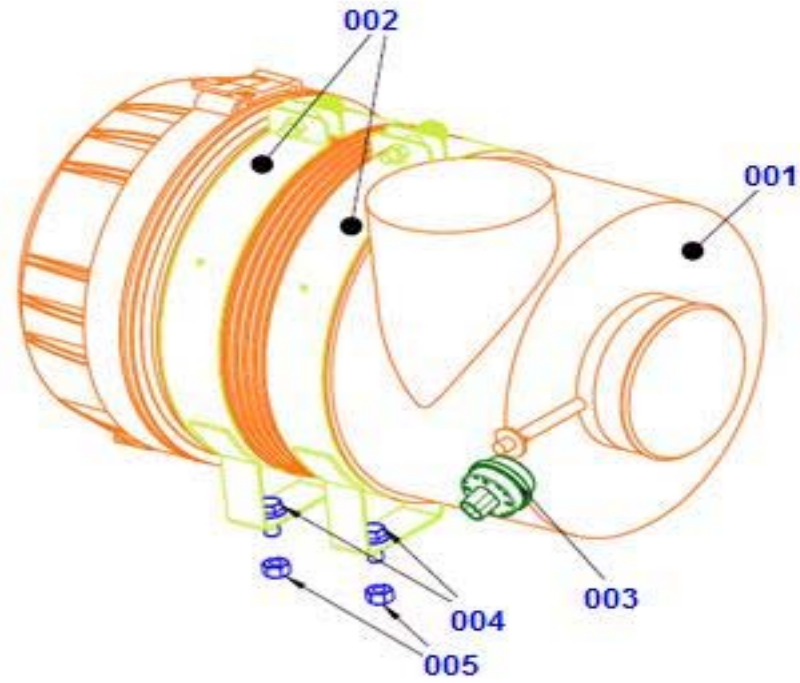


| POZ | Part No | N.S.N | Code | Part Name (Türkçe) | Part Name (English) | Quantity |
|-----|-----------|-------|------|----------------------------|----------------------------|----------|
| | | | | <i>Turbocharger</i> | | |
| 000 | CM3780690 | | | TURBOCHARGER | TURBOCHARGER | |
| 000 | CM3780686 | | | TURBOCHARGER | TURBOCHARGER | |
| 000 | CM3777450 | | | ACTUATOR, TUR ELECTRIC | ACTUATOR, TUR ELECTRIC | |
| 000 | CM3772970 | | | HOUSING, TUR BEARING | HOUSING, TUR BEARING | |
| 000 | CM3772628 | | | YOKE, TUR ACTUATOR | YOKE, TUR ACTUATOR | |
| 000 | CM4032806 | | | KIT, TUR SENSOR | KIT, TUR SENSOR | |
| 001 | CM3527619 | | | DATAPLATE | DATAPLATE | |
| 002 | CM2839964 | | | SENSOR, TURBOCHARGER SPEED | SENSOR, TURBOCHARGER SPEED | |
| 003 | CM3527184 | | | SCREW, HEX FLANGE HEAD CAP | SCREW, HEX FLANGE HEAD CAP | |
| 004 | CM3777444 | | | ACTUATOR, TUR ELECTRIC | ACTUATOR, TUR ELECTRIC | |
| 005 | CM2835493 | | | SEAL, SPLIT RING | SEAL, SPLIT RING | |
| 006 | CM2835596 | | | CLAMP, V BAND | CLAMP, V BAND | |
| 007 | CM2841493 | | | BEARING, TUR THRUST | BEARING, TUR THRUST | |
| 008 | CM2843113 | | | SCREW, SOCKET HEAD CAP | SCREW, SOCKET HEAD CAP | |
| 009 | CM4035788 | | | IMPELLER, TUR COMPRESSOR | IMPELLER, TUR COMPRESSOR | |
| 010 | CM3519163 | | | SCREW, DRIVE | SCREW, DRIVE | |
| 011 | CM3529372 | | | NUT, REGULAR HEXAGON | NUT, REGULAR HEXAGON | |
| 012 | CM3532217 | | | COLLAR, THRUST | COLLAR, THRUST | |
| 013 | CM3536549 | | | SCREW, SOCKET HEAD CAP | SCREW, SOCKET HEAD CAP | |
| 014 | CM3595280 | | | SEAL, OIL | SEAL, OIL | |
| 015 | CM3596179 | | | BLOCK, PIVOT | BLOCK, PIVOT | |
| 016 | CM3596402 | | | NUT, LOCK | NUT, LOCK | |
| 017 | CM3756754 | | | SEAL, SPLIT RING | SEAL, SPLIT RING | |
| 018 | CM3758848 | | | SEAL, SPLIT RING | SEAL, SPLIT RING | |
| 019 | CM3762259 | | | RING, RETAINING | RING, RETAINING | |
| 020 | CM2843721 | | | SHAFT | SHAFT | |
| 021 | CM3770578 | | | BEARING, TURBOCHARGER | BEARING, TURBOCHARGER | |
| 022 | CM3772261 | | | DIFFUSER, TURBOCHARGER | DIFFUSER, TURBOCHARGER | |

Turbocharger

Engine

0109

0110**Engine****Air Cleaner**

Picture No: EPLB3513001-00

| POZ | Part No | N.S.N | Code | Part Name (Türkçe) | Part Name (English) | Quantity |
|-----|--------------|-------|------|---|--|----------|
| | | | | <i>Air Cleaner</i> | | |
| 001 | 387033599051 | | | FILTRE, HAVA EMIS | FILTER, AIR INTAKE | 1 |
| 002 | 387033600051 | | | KELEPCE, FILTRE, HAVA EMIS | CLAMP, AIR FILTER | 2 |
| 003 | 387033601051 | | | INDIKATOR, SINIRLAYICI, HAVA EMIS | INDICATOR | 1 |
| 004 | 300121020601 | | | CIVATA, FLN M10X1. 5X20, KALIN D. DIN6921 | BOLT, FLN M10X1. 5X20, COARSE T. DIN6921 | 4 |
| 005 | 300500010601 | | | SOMUN, AKB M10X1. 5, KALIN D. DIN934 | NUT, HEX M10X1. 5, COARSE T. DIN934 | 4 |

Air Cleaner

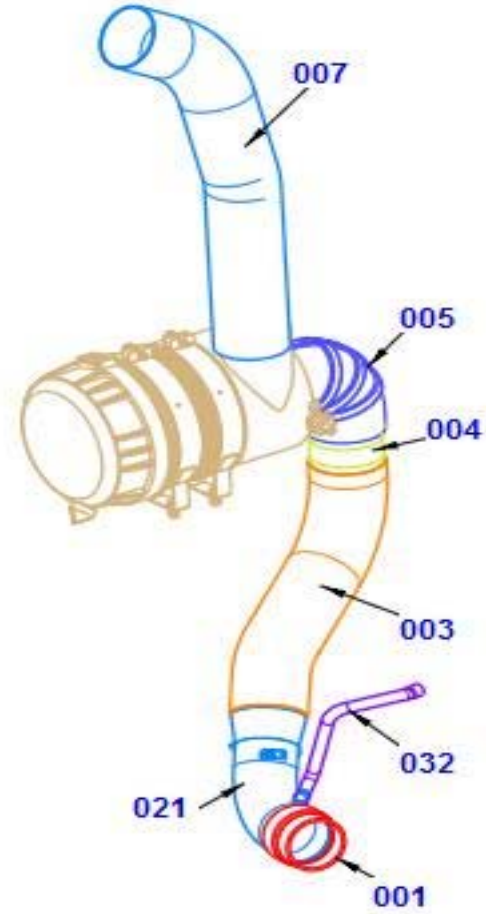
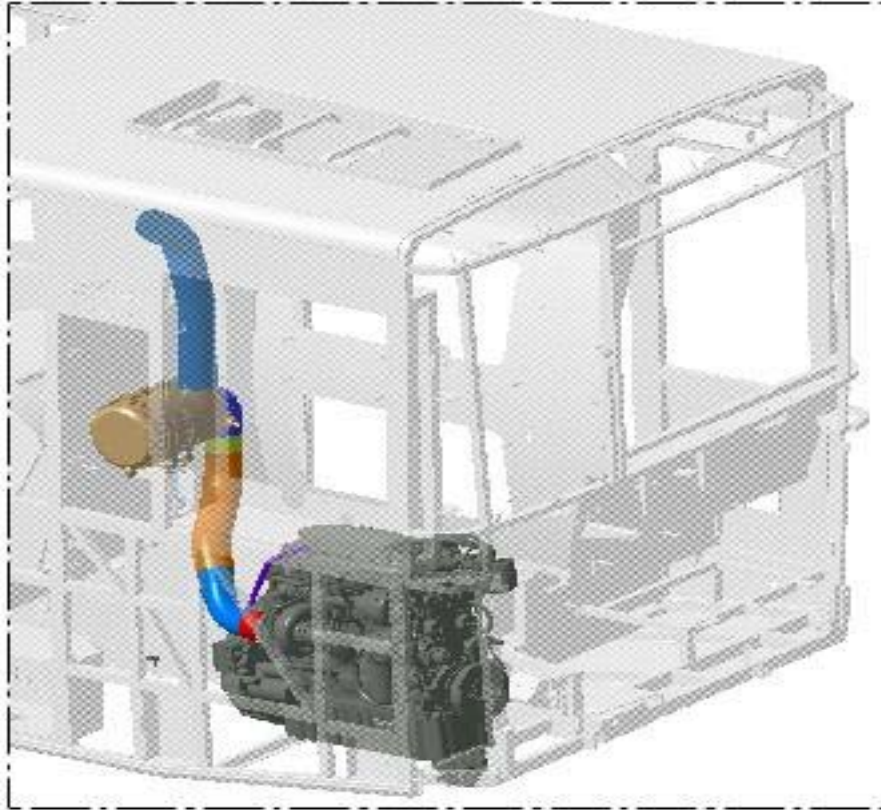
Engine

0110

0111

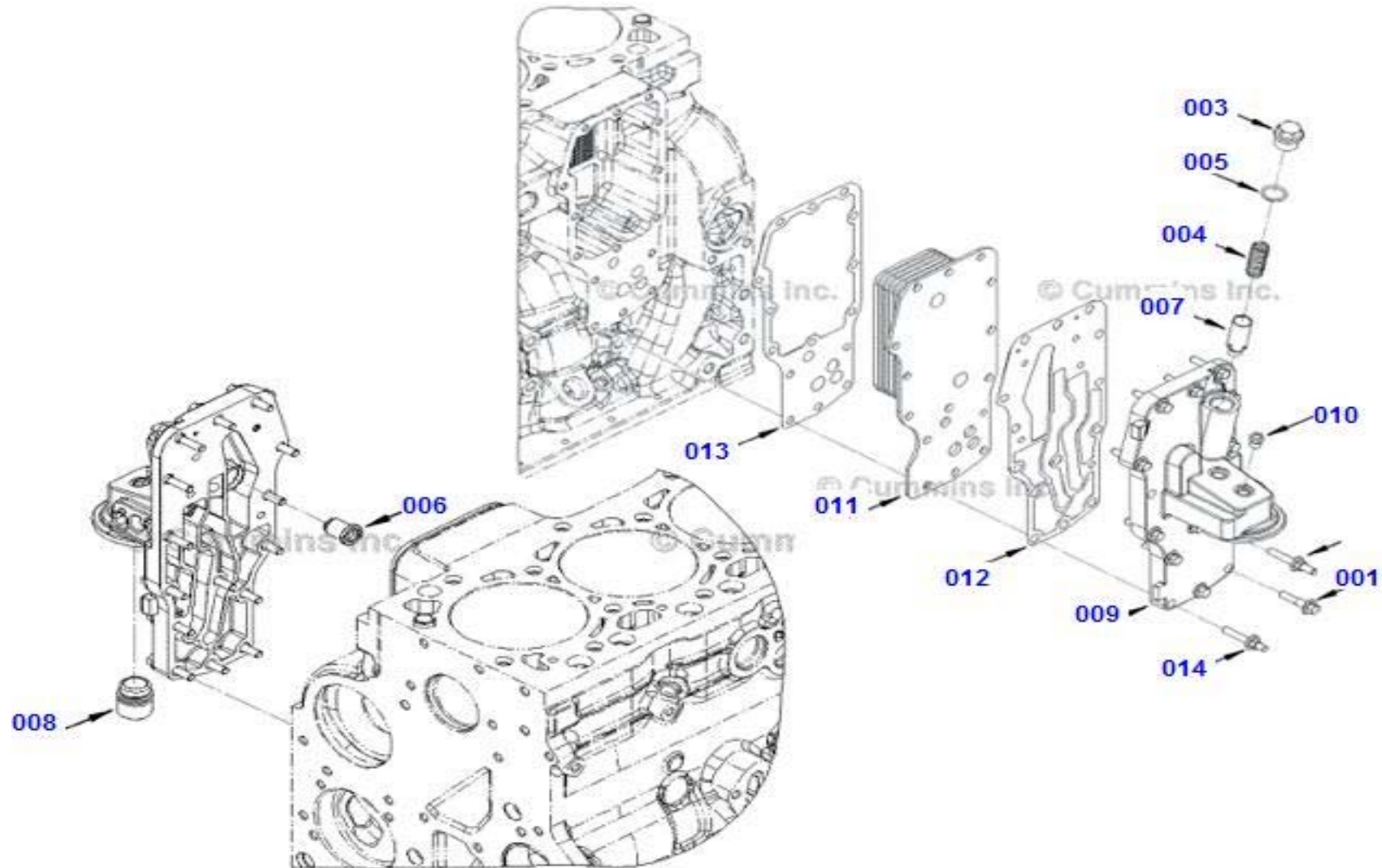
Engine

Air Duct



Picture No: EPLB3513101-00

| POZ | Part No | N.S.N | Code | Part Name (Türkçe) | Part Name (English) | Quantity |
|-----|--------------|-------|------|-----------------------------|------------------------------|-------------|
| | | | | <i>Air Duct</i> | | |
| 001 | 387034718251 | | | HORTUM, HAVA EMIS | HOSE, AIR INTAKE | 1 |
| 003 | 387033744101 | | | HORTUM, HAVA EMIS | HOSE, AIR INTAKE | 1 |
| 004 | 387041820001 | | | ADAPTOR, HAVA EMIS KOMPLE | ADAPTOR, ASSEMBLY AIR INTAKE | 1 |
| 005 | 387040904051 | | | DIRSEK, HAVA EMIS | ELBOW | 1 |
| 007 | 387041113001 | | | HORTUM, HAVA EMIS | HOSE, AIR INTAKE | 1 |
| 021 | 387040902001 | | | HAVA EMIS, KOMPLE | AIR UNTAKE ASM. | 1 |
| 032 | 387041126001 | | | HORTUM, KARTER HAVALANDIRMA | HOSE, KARTER HAVALANDIRMA | 1 |
| | | | | Air Duct | Engine | 0111 |

0112**Engine****Oil Cooler & Oil Filter**

Picture No: LC951ZK-00

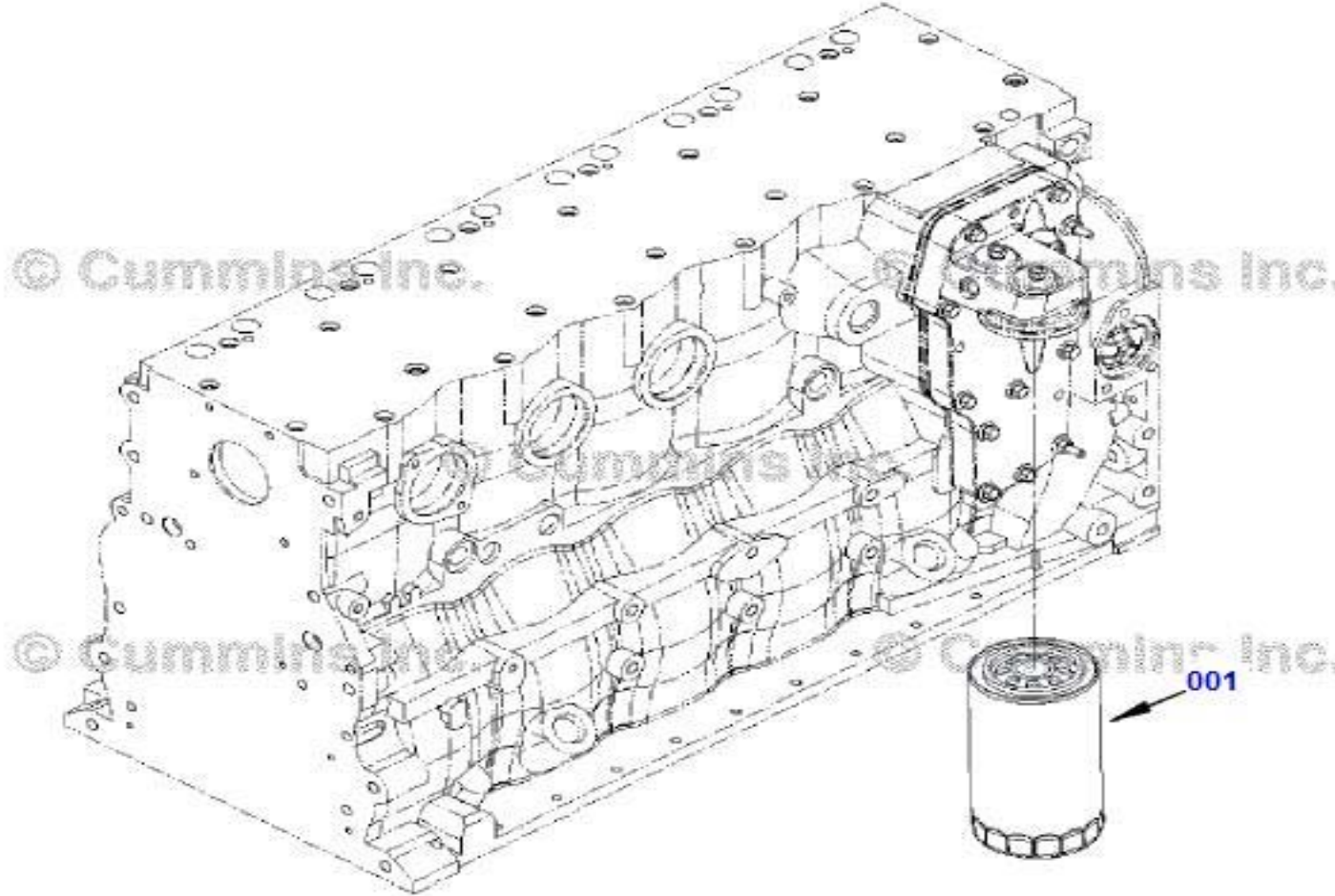


| POZ | Part No | N.S.N | Code | Part Name (Türkçe) | Part Name (English) | Quantity |
|-----|-----------|-------|------|------------------------------------|----------------------------|----------|
| | | | | <i>Oil Cooler & Oil Filter</i> | | |
| 000 | CM4983355 | | | HEAD, LUB OIL FILTER | HEAD, LUB OIL FILTER | |
| 000 | CM4983354 | | | HEAD, LUB OIL FILTER | HEAD, LUB OIL FILTER | |
| 001 | CM3900632 | | | SCREW, HEX FLANGE HEAD CAP | SCREW, HEX FLANGE HEAD CAP | |
| 003 | CM3915787 | | | PLUG, THREADED | PLUG, THREADED | |
| 004 | CM3925009 | | | SPRING, COMPRESSION | SPRING, COMPRESSION | |
| 005 | CM3929457 | | | SEAL, O RING | SEAL, O RING | |
| 006 | CM3936365 | | | VALVE, PRESSURE RELIEF | VALVE, PRESSURE RELIEF | |
| 007 | CM4896404 | | | PLUNGER, PRS REGULATOR | PLUNGER, PRS REGULATOR | |
| 008 | CM4893391 | | | ADAPTER, FILTER HEAD | ADAPTER, FILTER HEAD | |
| 009 | CM4980333 | | | HEAD, LUB OIL FILTER | HEAD, LUB OIL FILTER | |
| 010 | CM3906619 | | | PLUG, PIPE | PLUG, PIPE | |
| 011 | CM3975818 | | | CORE, COOLER | CORE, COOLER | |
| 012 | CM2831077 | | | GASKET, FILTER HEAD | GASKET, FILTER HEAD | |
| 013 | CM2830559 | | | GASKET, OIL COOLER CORE | GASKET, OIL COOLER CORE | |
| 014 | CM5290541 | | | SCREW, STUDED FLANGE CAP | SCREW, STUDED FLANGE CAP | |

Oil Cooler & Oil Filter

Engine

0112

0112**Engine****Oil Cooler & Oil Filter**

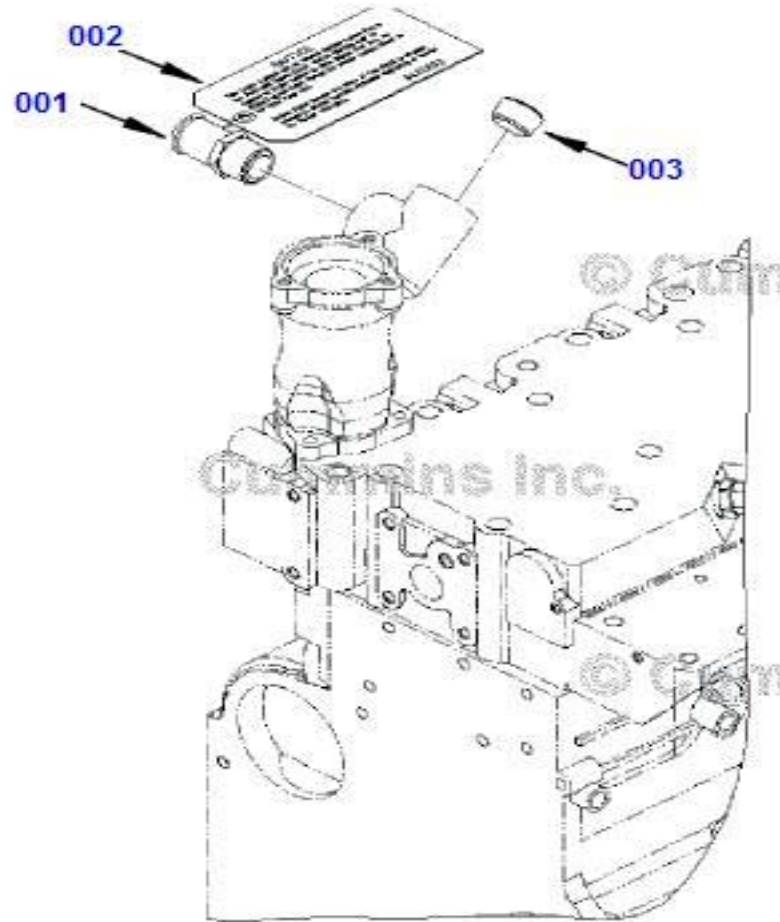
Picture No: LF950GG-00

| POZ | Part No | N.S.N | Code | Part Name (Türkçe) | Part Name (English) | Quantity |
|-------------------------|-----------|-------|------|---|---------------------------|----------|
| 001 | CM4989314 | | | <i>Oil Cooler & Oil Filter</i> CARTRIDGE, LUB OIL FILTER | CARTRIDGE, LUB OIL FILTER | |
| Oil Cooler & Oil Filter | | | | Engine | | 0112 |

0112

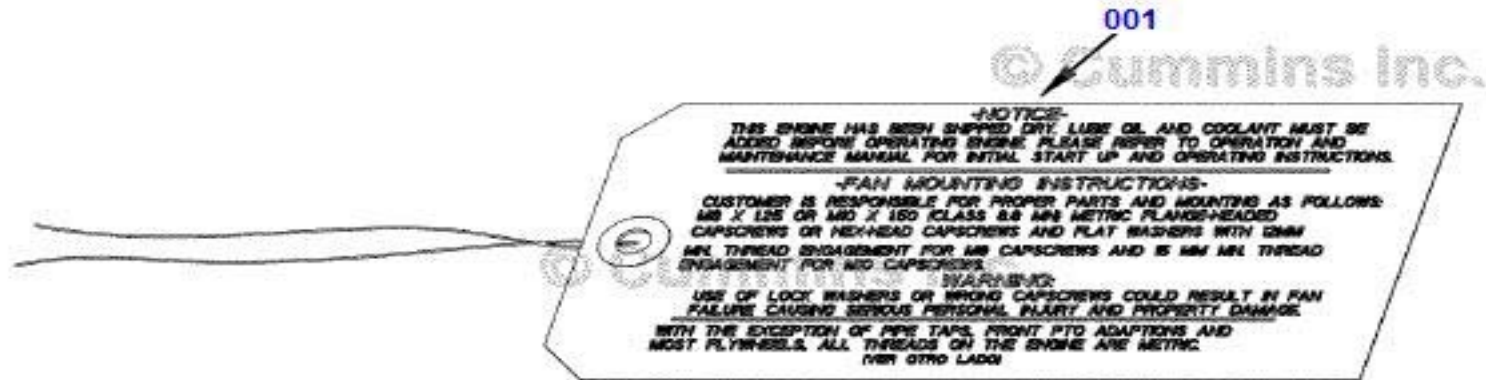
Engine

Oil Cooler & Oil Filter



Picture No: TK944GB-00

| POZ | Part No | N.S.N | Code | Part Name (Türkçe) | Part Name (English) | Quantity |
|-------------------------|-----------|-------|------|------------------------------------|----------------------|----------|
| | | | | <i>Oil Cooler & Oil Filter</i> | | |
| 001 | CM215921 | | | COUPLING, PLAIN HOSE | COUPLING, PLAIN HOSE | |
| 002 | CM3942803 | | | TAG, INSTRUCTION | TAG, INSTRUCTION | |
| 003 | CM4933532 | | | PLUG, PIPE | PLUG, PIPE | |
| Oil Cooler & Oil Filter | | | | Engine | | 0112 |

0113**Engine****Oil Pump**

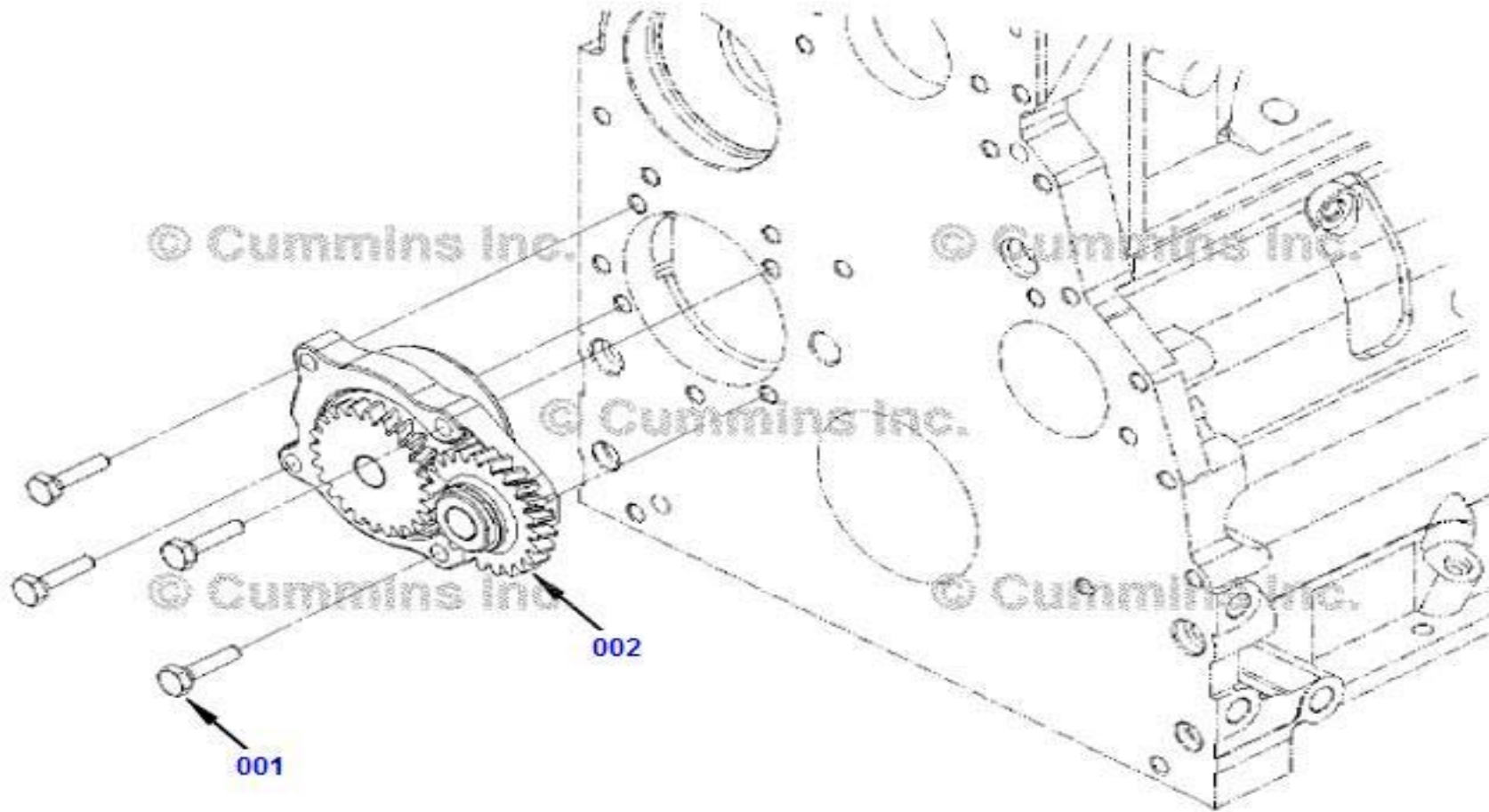
Picture No: LO951GA-00

| POZ | Part No | N.S.N | Code | Part Name (Türkçe) | Part Name (English) | Quantity |
|-----|-----------|-------|------|------------------------------|---------------------|----------|
| 001 | CM3967353 | | | Oil Pump TAG, INSTRUCTION | TAG, INSTRUCTION | |
| | | | | Oil Pump | | |
| | | | | Engine | | 0113 |

0113

Engine

Oil Pump



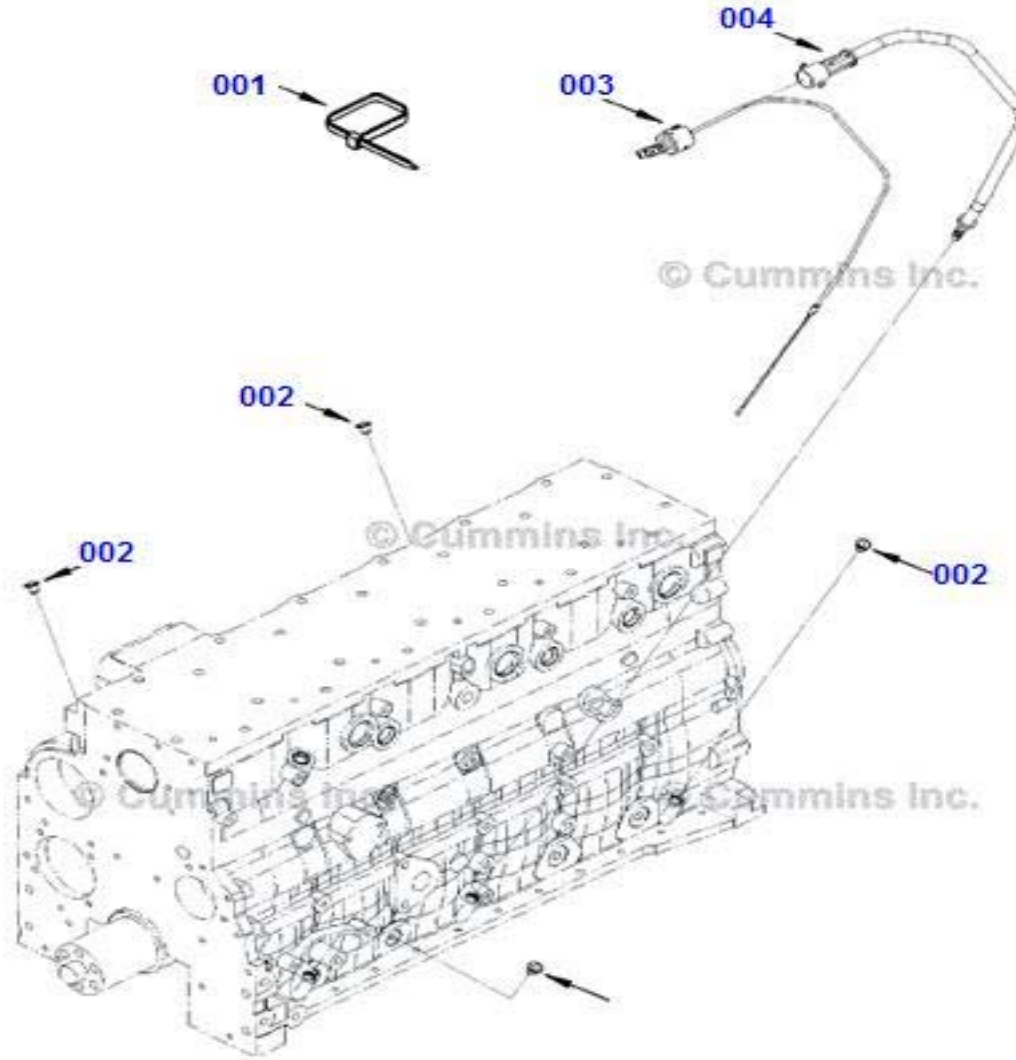
Picture No: LP950GF-00

| POZ | Part No | N.S.N | Code | Part Name (Türkçe) | Part Name (English) | Quantity |
|----------|-----------|-------|------|-------------------------|-------------------------|----------|
| | | | | <i>Oil Pump</i> | | |
| 001 | CM3900677 | | | SCREW, HEXAGON HEAD CAP | SCREW, HEXAGON HEAD CAP | |
| 002 | CM4983496 | | | PUMP, LUBRICATING OIL | PUMP, LUBRICATING OIL | |
| Oil Pump | | | | Engine | | 0113 |

0114

Engine

Oil Pan&Level Gauge



Picture No: LG968GY-00

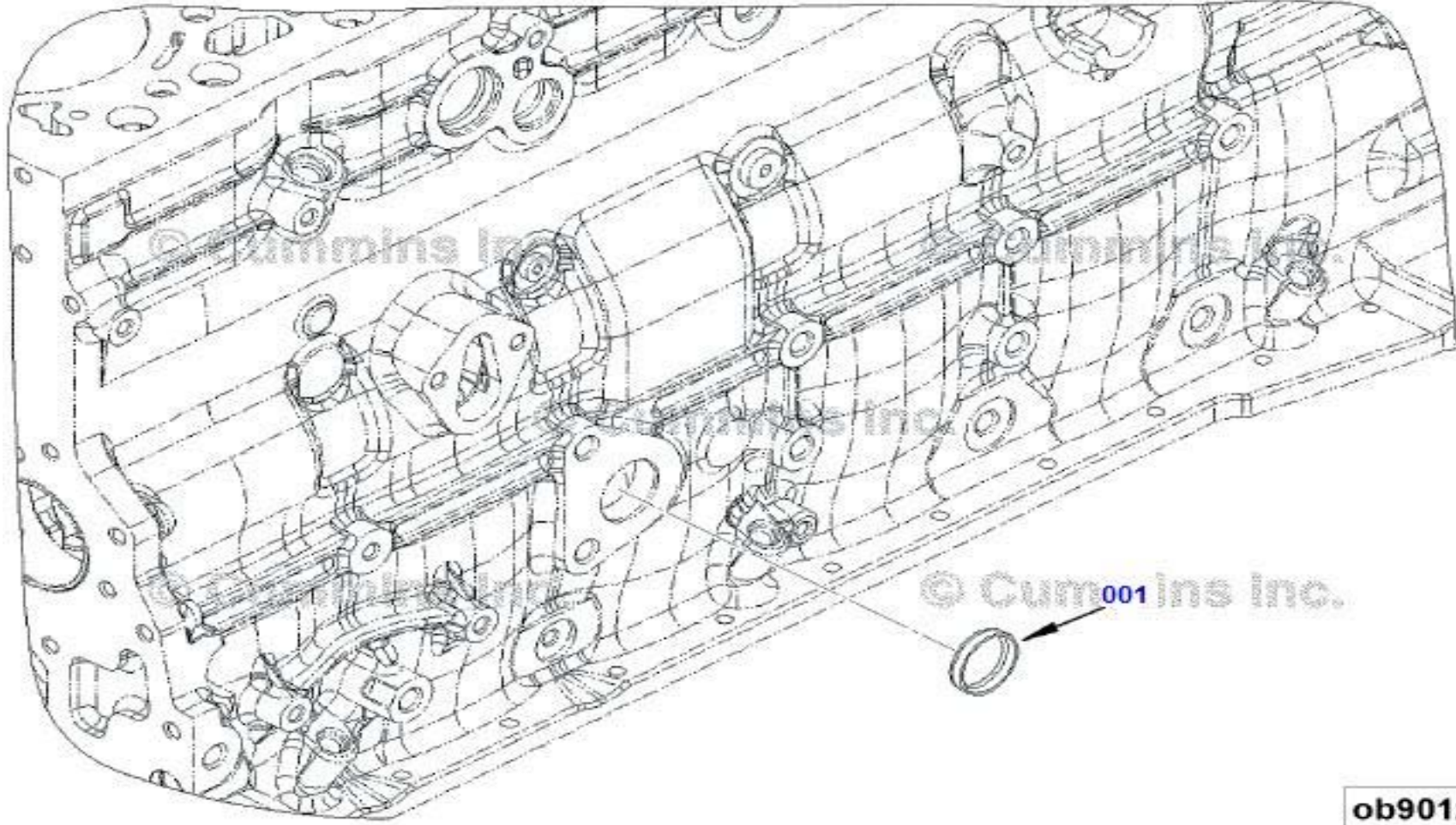


| POZ | Part No | N.S.N | Code | Part Name (Türkçe) | Part Name (English) | Quantity |
|-----|-----------|-------|------|--------------------------------|---------------------|-------------|
| | | | | <i>Oil Pan&Level Gauge</i> | | |
| 000 | CM5301043 | | | DIPSTICK | DIPSTICK | |
| 001 | CM201351 | | | CLAMP, WIRE TIE | CLAMP, WIRE TIE | |
| 002 | CM3900955 | | | PLUG, EXPANSION | PLUG, EXPANSION | |
| 003 | CM5301044 | | | DIPSTICK | DIPSTICK | |
| 004 | CM5301045 | | | TUBE, OIL GAUGE | TUBE, OIL GAUGE | |
| | | | | Oil Pan&Level Gauge | Engine | 0114 |

0114

Engine

Oil Pan&Level Gauge



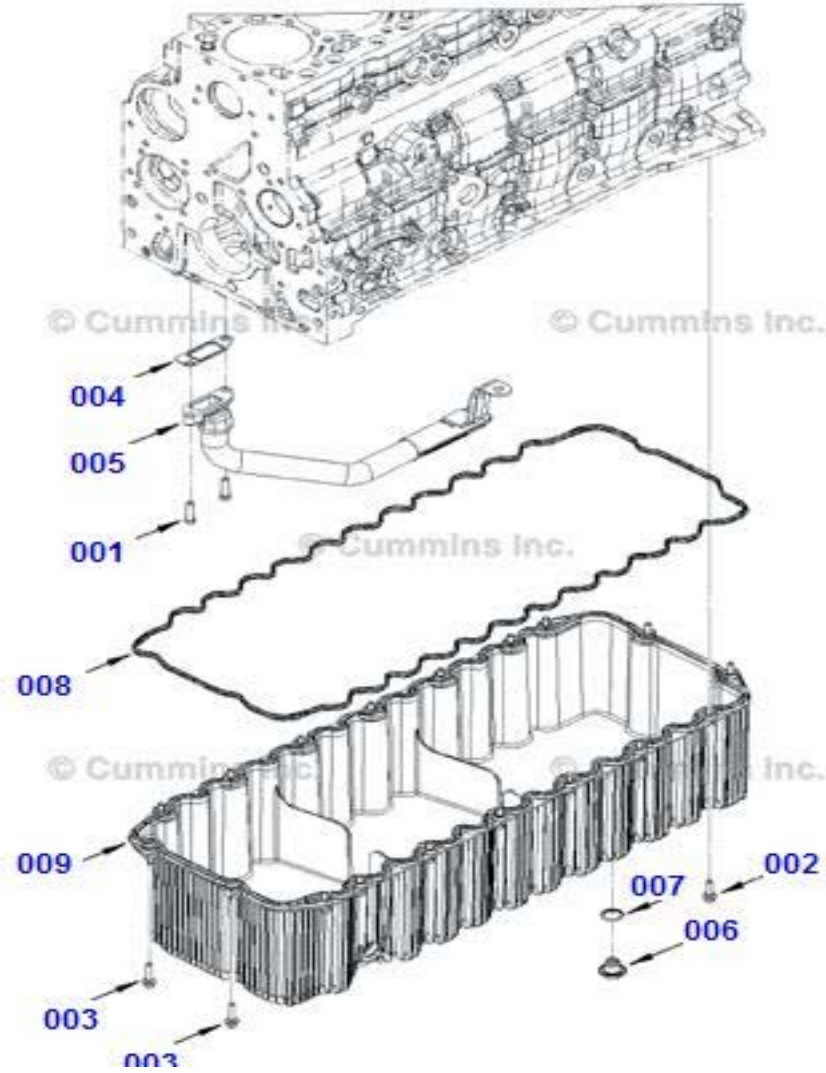
Picture No: OB901ZB-00

| POZ | Part No | N.S.N | Code | Part Name (Türkçe) | Part Name (English) | Quantity |
|---------------------------------|-----------|-------|------|--|---------------------|----------|
| 001 | CM3900958 | | | Oil Pan&Level Gauge PLUG, EXPANSION | PLUG, EXPANSION | |
| Oil Pan&Level Gauge Engine 0114 | | | | | | |

0114

Engine

Oil Pan&Level Gauge



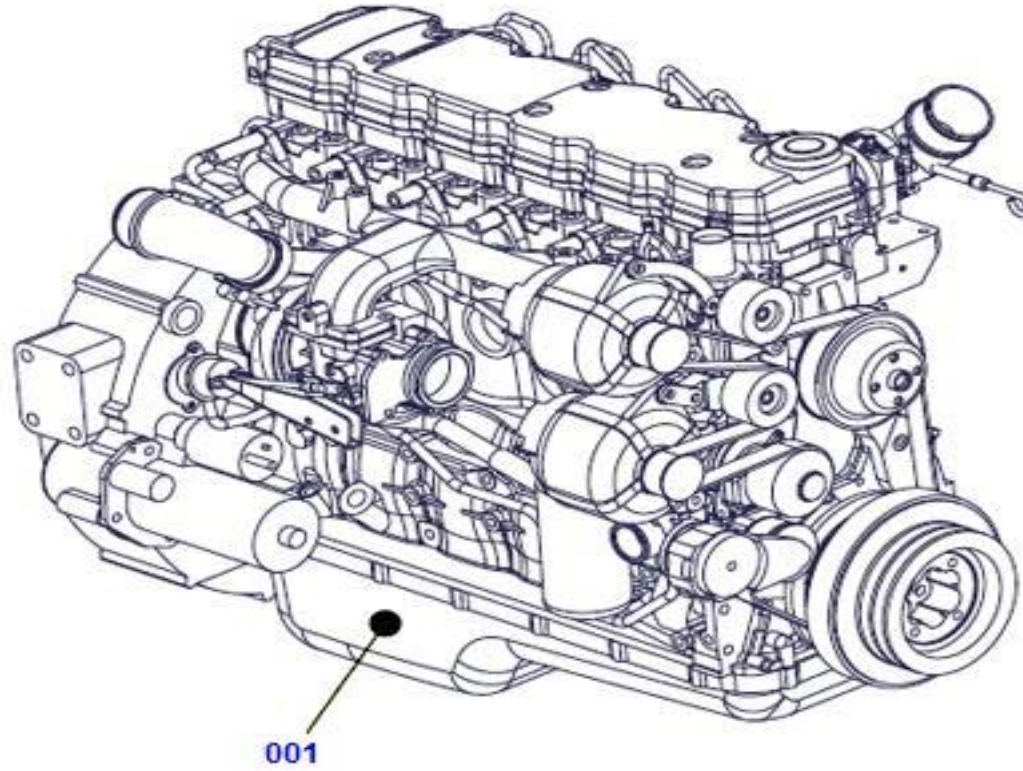
Picture No: OP970GG-00

| POZ | Part No | N.S.N | Code | Part Name (Türkçe) | Part Name (English) | Quantity |
|-----|-----------|-------|------|--------------------------------|----------------------------|----------|
| | | | | <i>Oil Pan&Level Gauge</i> | | |
| 000 | CM5291953 | | | PAN, OIL | PAN, OIL | |
| 001 | CM3025806 | | | SCREW, SOCKET HEAD CAP | SCREW, SOCKET HEAD CAP | |
| 002 | CM3900631 | | | SCREW, HEX FLANGE HEAD CAP | SCREW, HEX FLANGE HEAD CAP | |
| 003 | CM3902114 | | | SCREW, HEX FLANGE HEAD CAP | SCREW, HEX FLANGE HEAD CAP | |
| 004 | CM4898301 | | | GASKET, OIL SUC CONNECTION | GASKET, OIL SUC CONNECTION | |
| 005 | CM5310214 | | | TUBE, LUB OIL SUCTION | TUBE, LUB OIL SUCTION | |
| 006 | CM4994692 | | | PLUG, THREADED | PLUG, THREADED | |
| 007 | CM4995185 | | | SEAL, D RING | SEAL, D RING | |
| 008 | CM5288661 | | | GASKET, OIL PAN | GASKET, OIL PAN | |
| 009 | CM5292957 | | | PAN, OIL | PAN, OIL | |

Oil Pan&Level Gauge

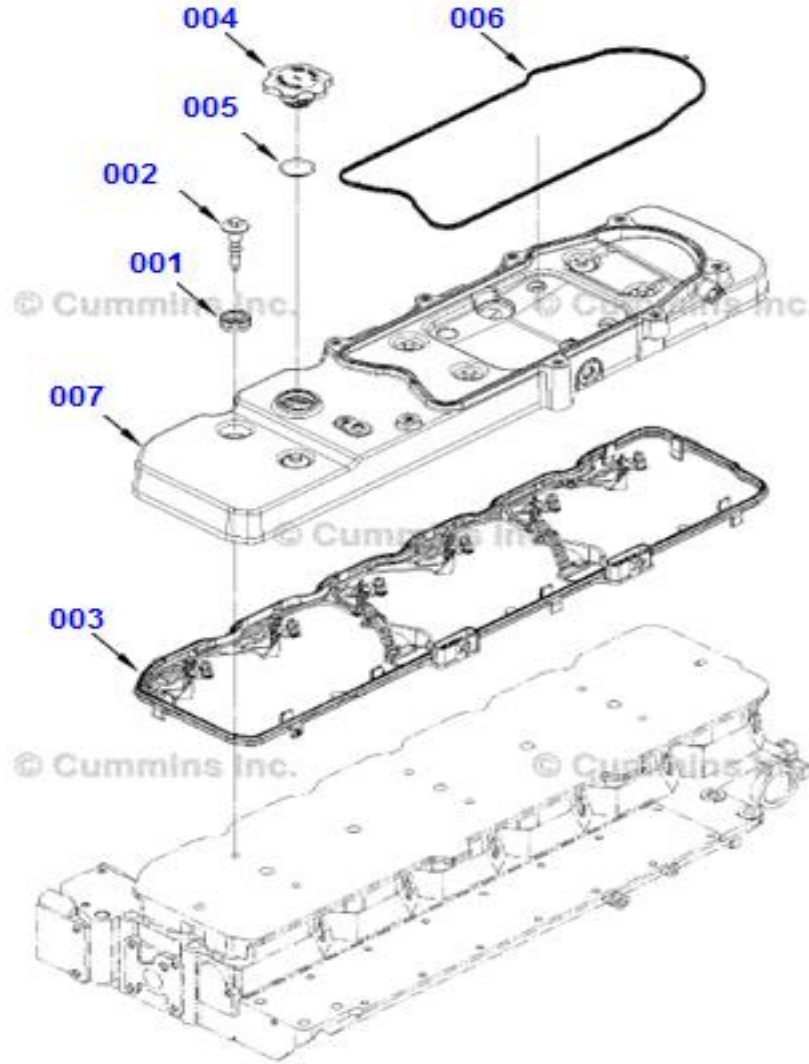
Engine

0114

0115**Engine****Cylinder Head Cover**

Picture No: EPL340100100-00

| POZ | Part No | N.S.N | Code | Part Name (Türkçe) | Part Name (English) | Quantity |
|---------------------|--------------|-------|------|---|------------------------|----------|
| 001 | 387031548151 | | | Cylinder Head Cover MOTOR, ISB6, 7 E6 280B | ENGINE, ISB6, 7E6 280B | 1 |
| Cylinder Head Cover | | | | Engine | | 0115 |

0115**Engine****Cylinder Head Cover**

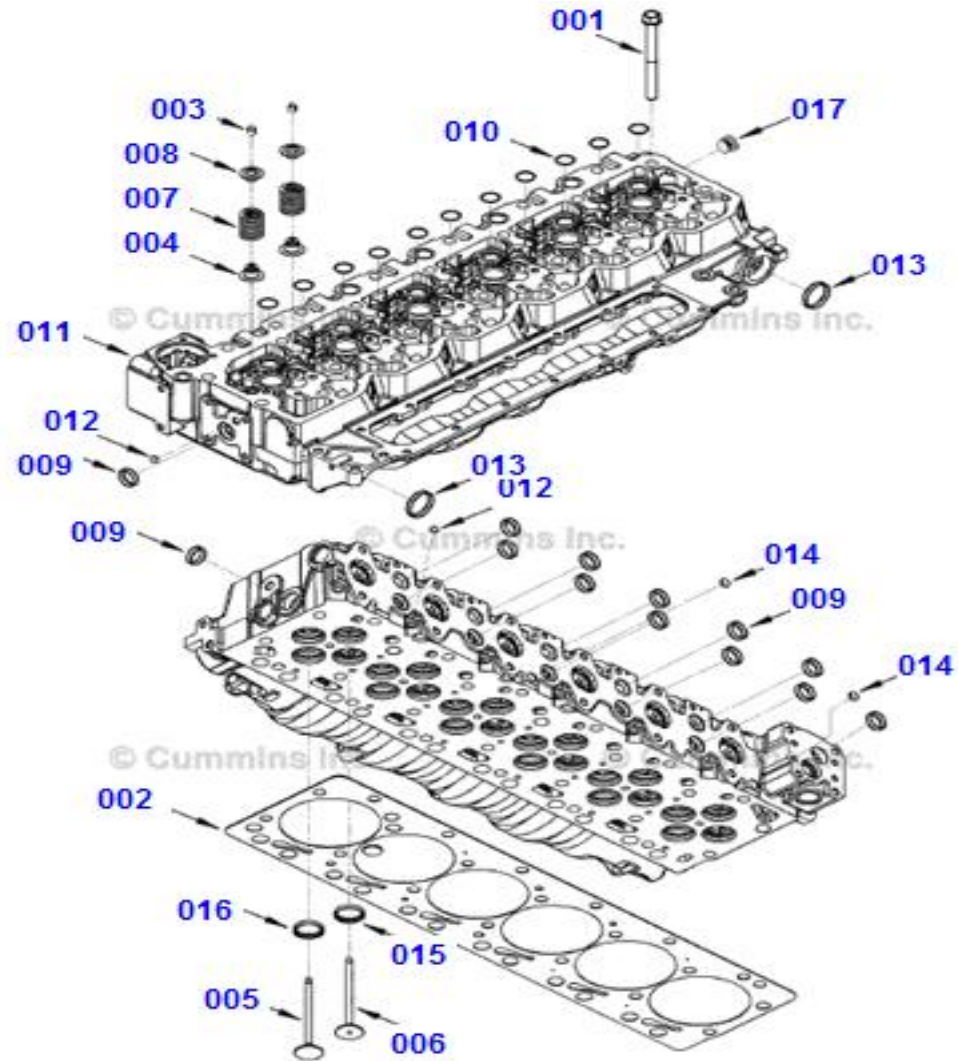
Picture No: VC959GQ-00

| POZ | Part No | N.S.N | Code | Part Name (Türkçe) | Part Name (English) | Quantity |
|-----|-----------|-------|------|----------------------------|---------------------------|----------|
| | | | | <i>Cylinder Head Cover</i> | | |
| 000 | CM4936172 | | | SCREW, SDR ISOLATOR CAP | SCREW, SDR ISOLATOR CAP | |
| 000 | CM5284305 | | | COVER, VALVE | COVER, VALVE | |
| 000 | CM3973511 | | | CAP, FILLER | CAP, FILLER | |
| 001 | CM3973853 | | | ISOLATOR, VIBRATION | ISOLATOR, VIBRATION | |
| 002 | CM4936173 | | | SCREW, SDR ISOLATOR CAP | SCREW, SDR ISOLATOR CAP | |
| 003 | CM5264950 | | | GASKET, INTEGRATED WIRING | GASKET, INTEGRATED WIRING | |
| 004 | CM3968283 | | | CAP, FILLER | CAP, FILLER | |
| 005 | CM3973512 | | | SEAL, O RING | SEAL, O RING | |
| 006 | CM3999820 | | | GASKET, BREATHER | GASKET, BREATHER | |
| 007 | CM5284306 | | | COVER, VALVE | COVER, VALVE | |

Cylinder Head Cover

Engine

0115

0116**Engine****Cylinder Head**

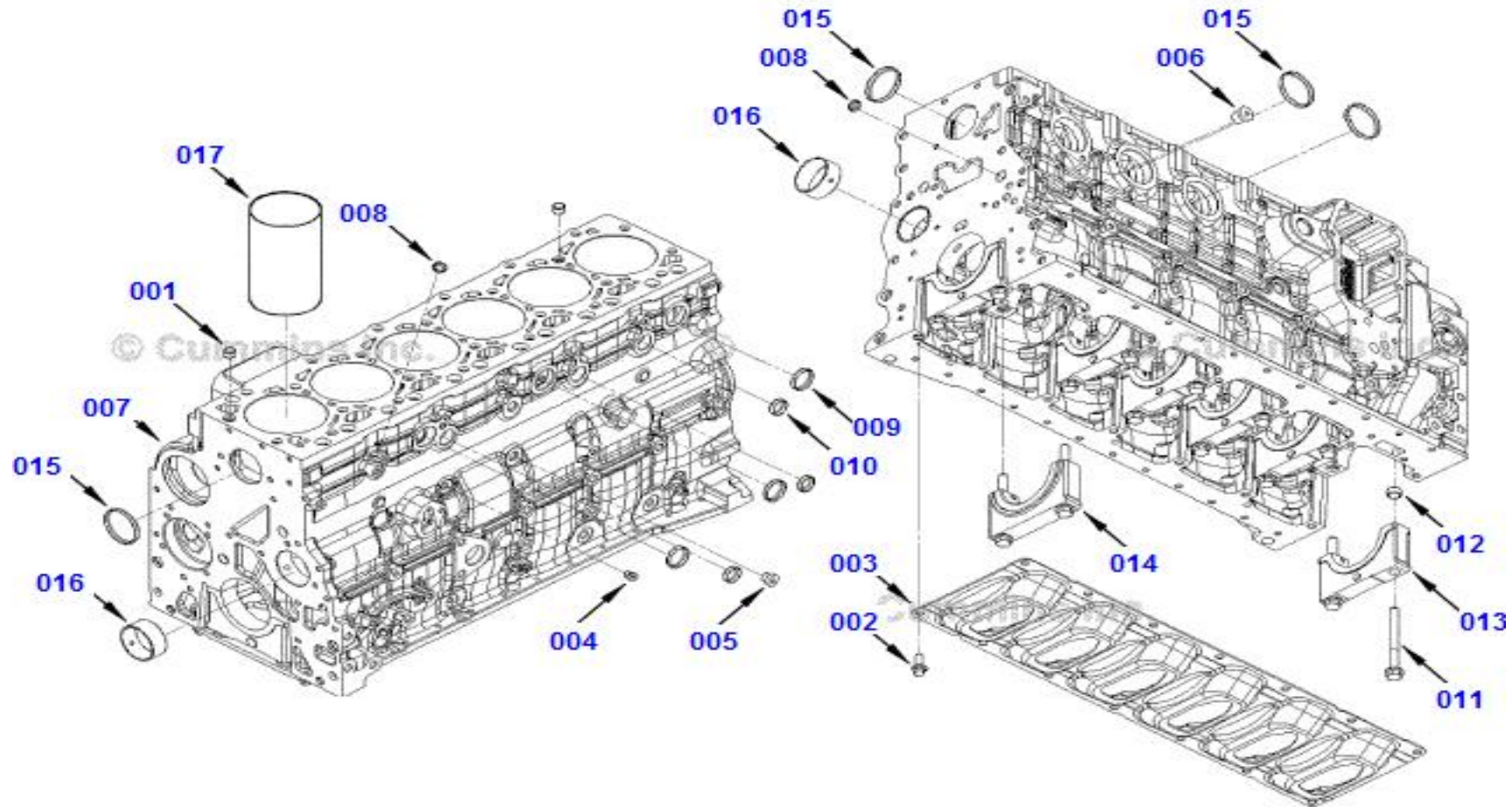
Picture No: PP983GW-00

| POZ | Part No | N.S.N | Code | Part Name (Türkçe) | Part Name (English) | Quantity |
|-----|-----------|-------|------|----------------------------|----------------------------|----------|
| | | | | <i>Cylinder Head</i> | | |
| 000 | CM4988954 | | | HEAD, CYLINDER | HEAD, CYLINDER | |
| 000 | CM3802924 | | | KIT, INTAKE VALVE | KIT, INTAKE VALVE | |
| 000 | CM3802967 | | | KIT, EXHAUST VALVE | KIT, EXHAUST VALVE | |
| 000 | CM5282721 | | | HEAD, CYLINDER | HEAD, CYLINDER | |
| 000 | CM | | | SERVICE PARTS | SERVICE PARTS | |
| 001 | CM3927063 | | | SCREW, HEX FLANGE HEAD CAP | SCREW, HEX FLANGE HEAD CAP | |
| 002 | CM4932210 | | | GASKET, CYLINDER HEAD | GASKET, CYLINDER HEAD | |
| 003 | CM3940123 | | | COLLET, VALVE | COLLET, VALVE | |
| 004 | CM3955393 | | | SEAL, VALVE STEM | SEAL, VALVE STEM | |
| 005 | CM3940735 | | | VALVE, INTAKE | VALVE, INTAKE | |
| 006 | CM3940734 | | | VALVE, EXHAUST | VALVE, EXHAUST | |
| 007 | CM4936080 | | | SPRING, VALVE | SPRING, VALVE | |
| 008 | CM3943198 | | | RETAINER, VALVE SPRING | RETAINER, VALVE SPRING | |
| 009 | CM3914035 | | | PLUG, EXPANSION | PLUG, EXPANSION | |
| 010 | CM5263672 | | | PLUG, EXPANSION | PLUG, EXPANSION | |
| 011 | CM4983047 | | | HEAD, CYLINDER | HEAD, CYLINDER | |
| 012 | CM3007632 | | | PLUG, EXPANSION | PLUG, EXPANSION | |
| 013 | CM3945094 | | | PLUG, EXPANSION | PLUG, EXPANSION | |
| 014 | CM3945095 | | | PLUG, EXPANSION | PLUG, EXPANSION | |
| 015 | CM3943449 | | | INSERT, VALVE | INSERT, VALVE | |
| 015 | CM3939719 | | | INSERT, VALVE | INSERT, VALVE | |
| 015 | CM3939720 | | | INSERT, VALVE | INSERT, VALVE | |
| 015 | CM3939721 | | | INSERT, VALVE | INSERT, VALVE | |
| 016 | CM3943450 | | | INSERT, VALVE | INSERT, VALVE | |
| 016 | CM3939723 | | | INSERT, VALVE | INSERT, VALVE | |
| 016 | CM3939724 | | | INSERT, VALVE | INSERT, VALVE | |
| 016 | CM3939725 | | | INSERT, VALVE | INSERT, VALVE | |
| 017 | CM3008469 | | | PLUG, PIPE | PLUG, PIPE | |

Cylinder Head

Engine

0116

0117**Engine****Cylinder Block**

Picture No: BB918GL-00

| POZ | Part No | N.S.N | Code | Part Name (Türkçe) | Part Name (English) | Quantity |
|-----|-----------|-------|------|----------------------------|----------------------------|----------|
| | | | | <i>Cylinder Block</i> | | |
| 000 | CM5302096 | | | BLOCK, CYLINDER | BLOCK, CYLINDER | |
| 000 | CM5314775 | | | CAP, MAIN BEARING | CAP, MAIN BEARING | |
| 000 | CM5314776 | | | CAP, MAIN BEARING | CAP, MAIN BEARING | |
| 001 | CM3902343 | | | DOWEL, RING | DOWEL, RING | |
| 002 | CM3903990 | | | SCREW, HEX FLANGE HEAD CAP | SCREW, HEX FLANGE HEAD CAP | |
| 003 | CM5290910 | | | STIFFENER, CYLINDER BLOCK | STIFFENER, CYLINDER BLOCK | |
| 004 | CM3977851 | | | PLUG, THREADED | PLUG, THREADED | |
| 005 | CM3977853 | | | PLUG, THREADED | PLUG, THREADED | |
| 006 | CM3977855 | | | PLUG, THREADED | PLUG, THREADED | |
| 007 | CM4990447 | | | BLOCK, CYLINDER | BLOCK, CYLINDER | |
| 008 | CM3900956 | | | PLUG, EXPANSION | PLUG, EXPANSION | |
| 009 | CM3905401 | | | PLUG, EXPANSION | PLUG, EXPANSION | |
| 010 | CM3914035 | | | PLUG, EXPANSION | PLUG, EXPANSION | |
| 011 | CM3927948 | | | SCREW, HEX FLANGE HEAD CAP | SCREW, HEX FLANGE HEAD CAP | |
| 012 | CM5315765 | | | DOWEL, RING | DOWEL, RING | |
| 013 | CM3974156 | | | CAP, MAIN BEARING | CAP, MAIN BEARING | |
| 014 | CM3974158 | | | CAP, MAIN BEARING | CAP, MAIN BEARING | |
| 015 | CM4938189 | | | PLUG, EXPANSION | PLUG, EXPANSION | |
| 016 | CM4983253 | | | BUSHING | BUSHING | |
| 017 | CM4919951 | | | SLEEVE, SALVAGE | SLEEVE, SALVAGE | |

Cylinder Block

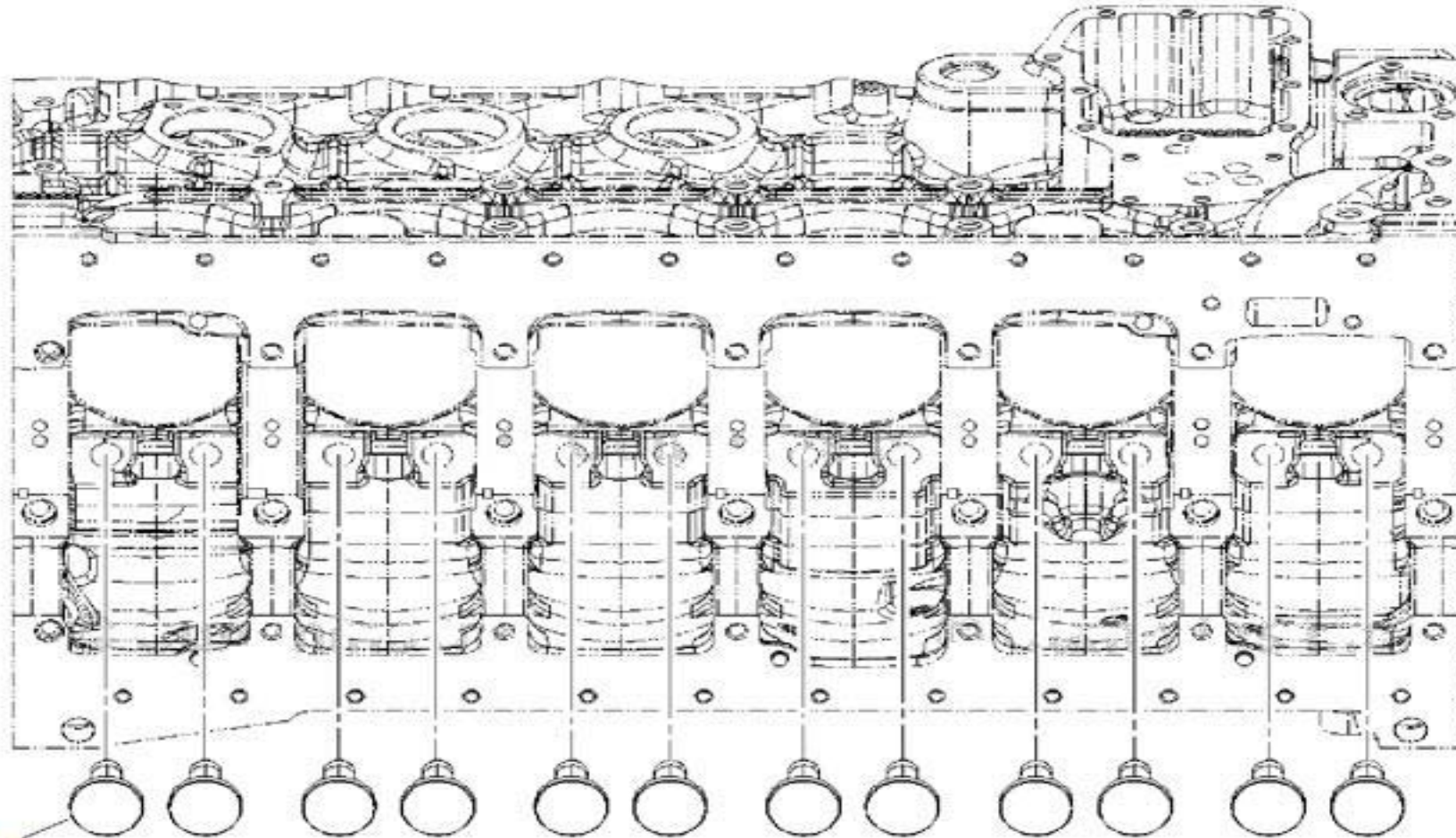
Engine

0117

0118

Engine

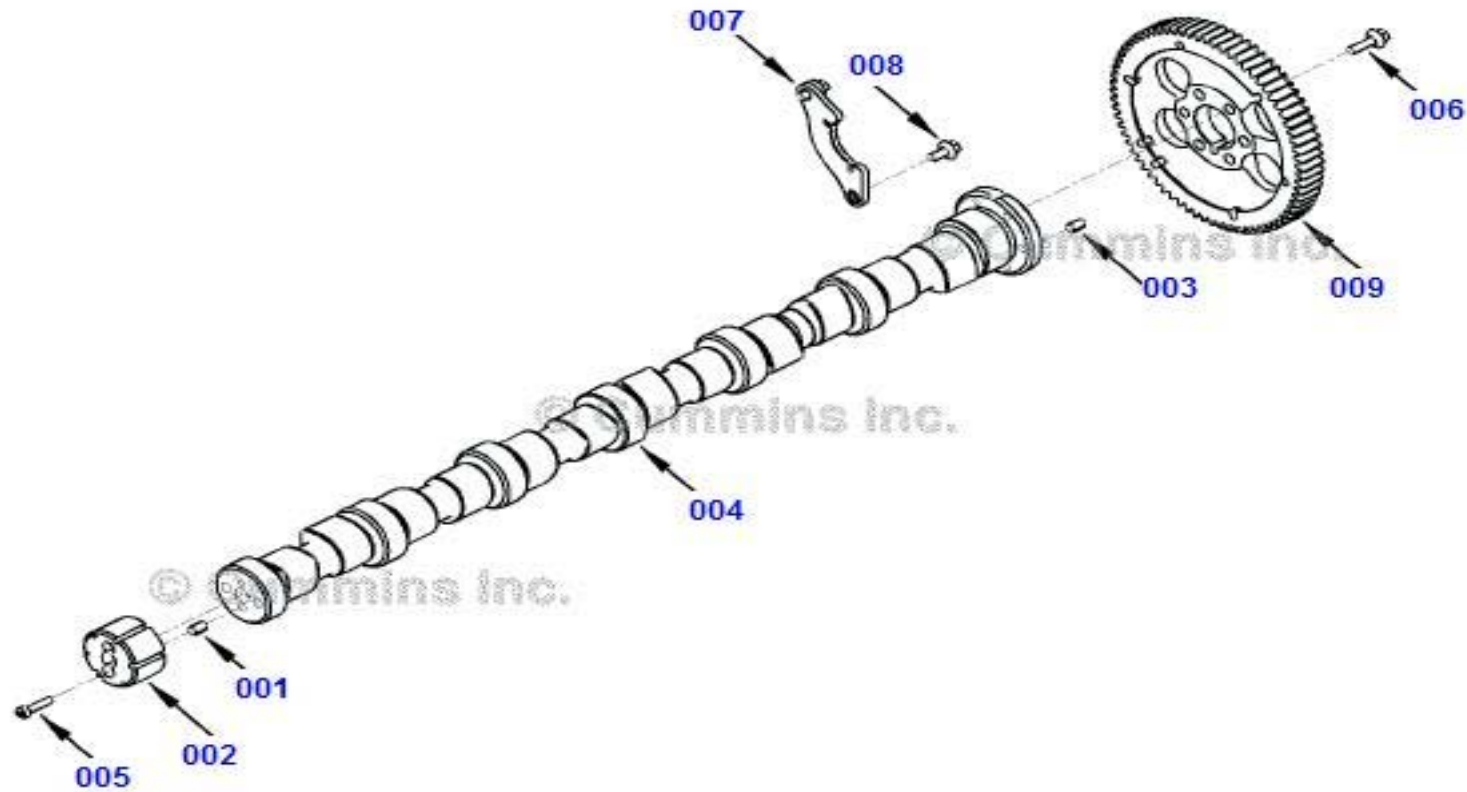
Camshaft & Valve



001

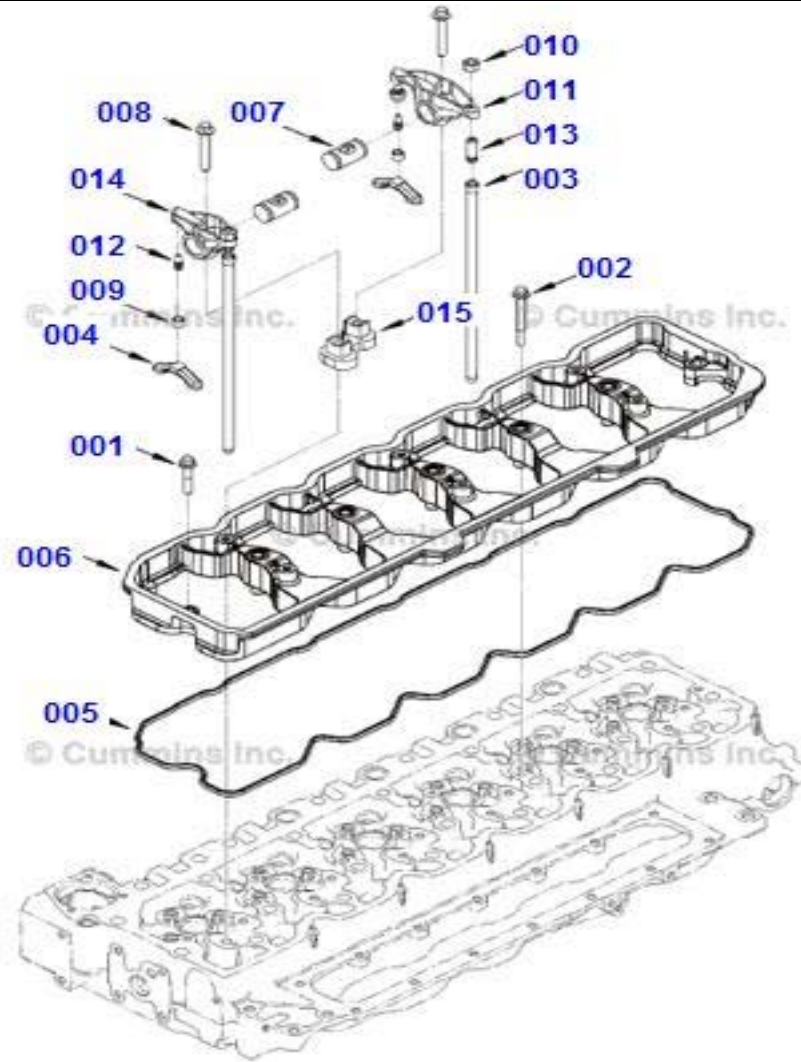
Picture No: BB902ZK-00

| POZ | Part No | N.S.N | Code | Part Name (Türkçe) | Part Name (English) | Quantity |
|------------------|-----------|-------|------|-----------------------------------|---------------------|----------|
| 001 | CM3947759 | | | Camshaft & Valve TAPPET, VALVE | TAPPET, VALVE | |
| Camshaft & Valve | | | | Engine | | 0118 |

0118**Engine****Camshaft & Valve**

Picture No: PP968GS-00

| POZ | Part No | N.S.N | Code | Part Name (Türkçe) | Part Name (English) | Quantity |
|-----------------------------|-----------|-------|------|-----------------------------|----------------------------|-------------|
| | | | | <i>Camshaft & Valve</i> | | |
| 000 | CM3954100 | | | CAMSHAFT | CAMSHAFT | |
| 000 | CM3979506 | | | CAMSHAFT | CAMSHAFT | |
| 001 | CM3954111 | | | DOWEL, RING | DOWEL, RING | |
| 002 | CM3955069 | | | RING, SPEED INDICATOR | RING, SPEED INDICATOR | |
| 003 | CM3904483 | | | DOWEL, PIN | DOWEL, PIN | |
| 004 | CM3954099 | | | CAMSHAFT | CAMSHAFT | |
| 005 | CM4895877 | | | SCREW, SOCKET HEAD CAP | SCREW, SOCKET HEAD CAP | |
| 006 | CM3093730 | | | SCREW, HEX FLANGE HEAD CAP | SCREW, HEX FLANGE HEAD CAP | |
| 007 | CM5258931 | | | SUPPORT, CAMSHAFT THRUST | SUPPORT, CAMSHAFT THRUST | |
| 008 | CM3925883 | | | SCREW, HEX FLANGE HEAD CAP | SCREW, HEX FLANGE HEAD CAP | |
| 009 | CM3955152 | | | GEAR, CAMSHAFT | GEAR, CAMSHAFT | |
| Camshaft & Valve | | | | Engine | | 0118 |

0118**Engine****Camshaft & Valve**

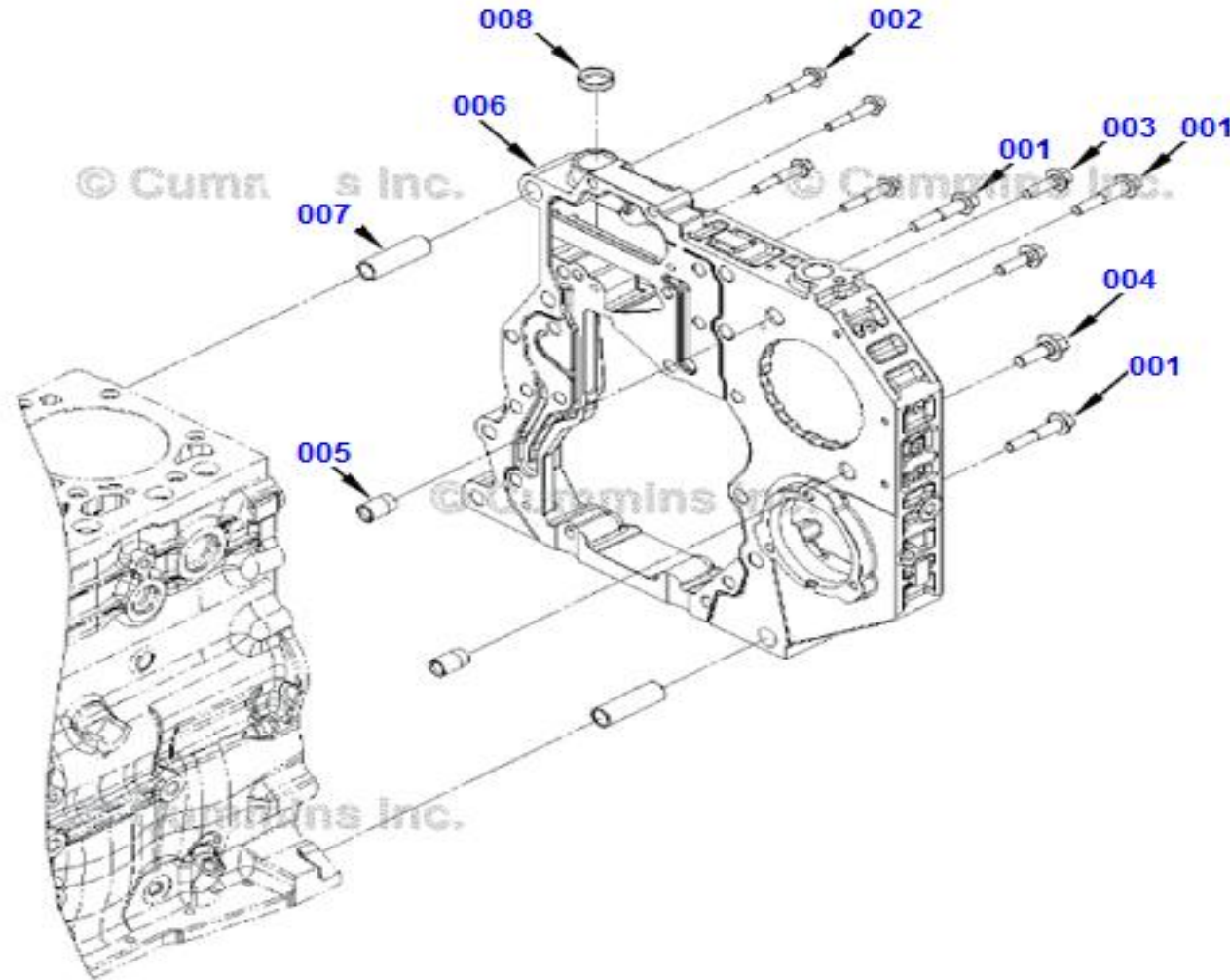
Picture No: RL942GJ-00

| POZ | Part No | N.S.N | Code | Part Name (Türkçe) | Part Name (English) | Quantity |
|-----------------------------|-----------|-------|------|-----------------------------|----------------------------|-------------|
| | | | | <i>Camshaft & Valve</i> | | |
| 000 | CM3974981 | | | HOUSING, ROCKER LEVER | HOUSING, ROCKER LEVER | |
| 000 | CM4995602 | | | ASSEMBLY, ROCKER LEVER | ASSEMBLY, ROCKER LEVER | |
| 000 | CM4995603 | | | LEVER, ROCKER | LEVER, ROCKER | |
| 000 | CM4995605 | | | LEVER, ROCKER | LEVER, ROCKER | |
| 000 | CM4995604 | | | LEVER, ROCKER | LEVER, ROCKER | |
| 000 | CM4995606 | | | LEVER, ROCKER | LEVER, ROCKER | |
| 001 | CM3900678 | | | SCREW, HEX FLANGE HEAD CAP | SCREW, HEX FLANGE HEAD CAP | |
| 002 | CM3903096 | | | SCREW, HEX FLANGE HEAD CAP | SCREW, HEX FLANGE HEAD CAP | |
| 003 | CM3941253 | | | ROD, PUSH | ROD, PUSH | |
| 004 | CM3943626 | | | CROSSHEAD, VALVE | CROSSHEAD, VALVE | |
| 005 | CM3963379 | | | GASKET, RKR LEVER HOUSING | GASKET, RKR LEVER HOUSING | |
| 006 | CM3975943 | | | HOUSING, ROCKER LEVER | HOUSING, ROCKER LEVER | |
| 007 | CM4928699 | | | SHAFT, ROCKER LEVER | SHAFT, ROCKER LEVER | |
| 008 | CM3990127 | | | SCREW, HEX FLANGE HEAD CAP | SCREW, HEX FLANGE HEAD CAP | |
| 009 | CM4994198 | | | SOCKET, ROCKER LEVER | SOCKET, ROCKER LEVER | |
| 010 | CM3927692 | | | NUT, HEAVY HEXAGON | NUT, HEAVY HEXAGON | |
| 011 | CM3941928 | | | LEVER, ROCKER | LEVER, ROCKER | |
| 012 | CM4994197 | | | BALL, ROCKER LEVER | BALL, ROCKER LEVER | |
| 013 | CM3959128 | | | SCREW, RKR LEVER ADJUSTING | SCREW, RKR LEVER ADJUSTING | |
| 014 | CM3941927 | | | LEVER, ROCKER | LEVER, ROCKER | |
| 015 | CM3964908 | | | SUPPORT, ROCKER LEVER | SUPPORT, ROCKER LEVER | |
| Camshaft & Valve | | | | Engine | | 0118 |

0119

Engine

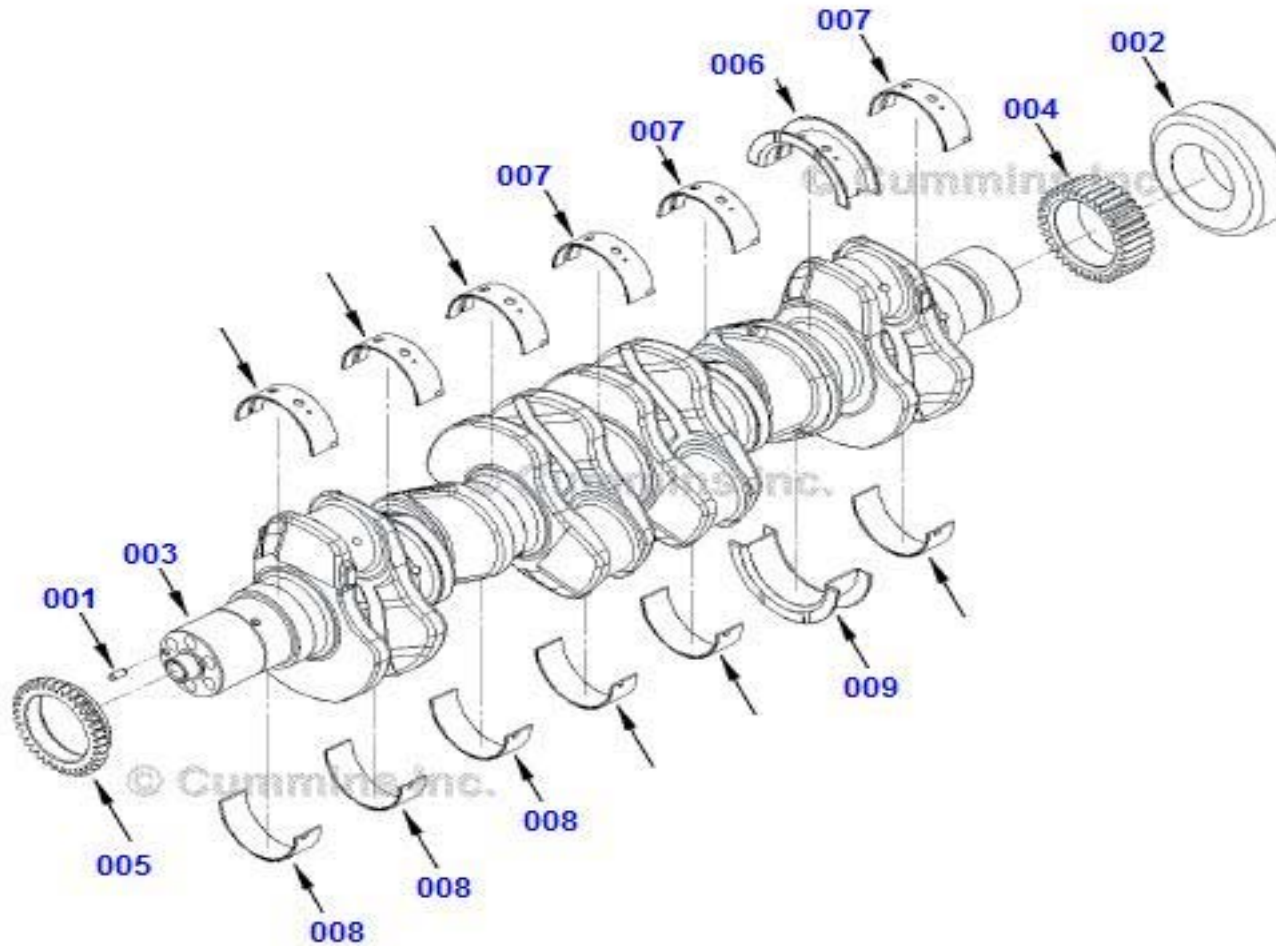
Crankshaft,Piston & Flywheel



Picture No: BB904GV-00



| POZ | Part No | N.S.N | Code | Part Name (Türkçe) | Part Name (English) | Quantity |
|-----|-----------|-------|------|---|----------------------------|-------------|
| | | | | <i>Crankshaft,Piston & Flywheel</i> | | |
| 000 | CM4936423 | | | HOUSING, GEAR | HOUSING, GEAR | |
| 001 | CM3918153 | | | SCREW, HEX FLANGE HEAD CAP | SCREW, HEX FLANGE HEAD CAP | |
| 002 | CM3901445 | | | SCREW, HEX FLANGE HEAD CAP | SCREW, HEX FLANGE HEAD CAP | |
| 003 | CM3903112 | | | SCREW, HEX FLANGE HEAD CAP | SCREW, HEX FLANGE HEAD CAP | |
| 004 | CM3910495 | | | SCREW, HEX FLANGE HEAD CAP | SCREW, HEX FLANGE HEAD CAP | |
| 005 | CM4929128 | | | INSERT, THREADED | INSERT, THREADED | |
| 006 | CM4936420 | | | HOUSING, GEAR | HOUSING, GEAR | |
| 007 | CM3954616 | | | DOWEL, RING | DOWEL, RING | |
| 008 | CM3914035 | | | PLUG, EXPANSION | PLUG, EXPANSION | |
| | | | | Crankshaft,Piston & Flywheel | Engine | 0119 |

0119**Engine****Crankshaft, Piston & Flywheel**

Picture No: BB909GO-00

| POZ | Part No | N.S.N | Code | Part Name (Türkçe) | Part Name (English) | Quantity |
|-----|-----------|-------|------|---|---------------------|----------|
| | | | | <i>Crankshaft,Piston & Flywheel</i> | | |
| 000 | CM4934861 | | | CRANKSHAFT, ENGINE | CRANKSHAFT, ENGINE | |
| 000 | CM4934862 | | | CRANKSHAFT, ENGINE | CRANKSHAFT, ENGINE | |
| 000 | CM4955521 | | | SET, MAIN BEARING | SET, MAIN BEARING | |
| 001 | CM3955030 | | | DOWEL, PIN | DOWEL, PIN | |
| 002 | CM2831066 | | | COLLAR, SHAFT | COLLAR, SHAFT | |
| 003 | CM3968164 | | | CRANKSHAFT, ENGINE | CRANKSHAFT, ENGINE | |
| 004 | CM4934419 | | | GEAR, CRANKSHAFT | GEAR, CRANKSHAFT | |
| 005 | CM4934418 | | | GEAR, CRANKSHAFT | GEAR, CRANKSHAFT | |
| 006 | CM3978822 | | | BEARING, THRUST | BEARING, THRUST | |
| 006 | CM4938949 | | | BEARING, THRUST | BEARING, THRUST | |
| 006 | CM4938950 | | | BEARING, THRUST | BEARING, THRUST | |
| 006 | CM4938951 | | | BEARING, THRUST | BEARING, THRUST | |
| 006 | CM4938952 | | | BEARING, THRUST | BEARING, THRUST | |
| 006 | CM4938953 | | | BEARING, THRUST | BEARING, THRUST | |
| 006 | CM4938954 | | | BEARING, THRUST | BEARING, THRUST | |
| 007 | CM3978818 | | | BEARING, MAIN | BEARING, MAIN | |
| 007 | CM4938933 | | | BEARING, MAIN | BEARING, MAIN | |
| 007 | CM4938934 | | | BEARING, MAIN | BEARING, MAIN | |
| 007 | CM4938935 | | | BEARING, MAIN | BEARING, MAIN | |
| 007 | CM4938936 | | | BEARING, MAIN | BEARING, MAIN | |
| 008 | CM3978820 | | | BEARING, MAIN | BEARING, MAIN | |
| 008 | CM4938937 | | | BEARING, MAIN | BEARING, MAIN | |
| 008 | CM4938938 | | | BEARING, MAIN | BEARING, MAIN | |
| 008 | CM4938939 | | | BEARING, MAIN | BEARING, MAIN | |
| 008 | CM4938940 | | | BEARING, MAIN | BEARING, MAIN | |
| 009 | CM3978824 | | | BEARING, THRUST | BEARING, THRUST | |
| 009 | CM4938942 | | | BEARING, THRUST | BEARING, THRUST | |
| 009 | CM4938943 | | | BEARING, THRUST | BEARING, THRUST | |

Crankshaft,Piston & Flywheel

Engine

0119

0119

Engine

Crankshaft,Piston & Flywheel



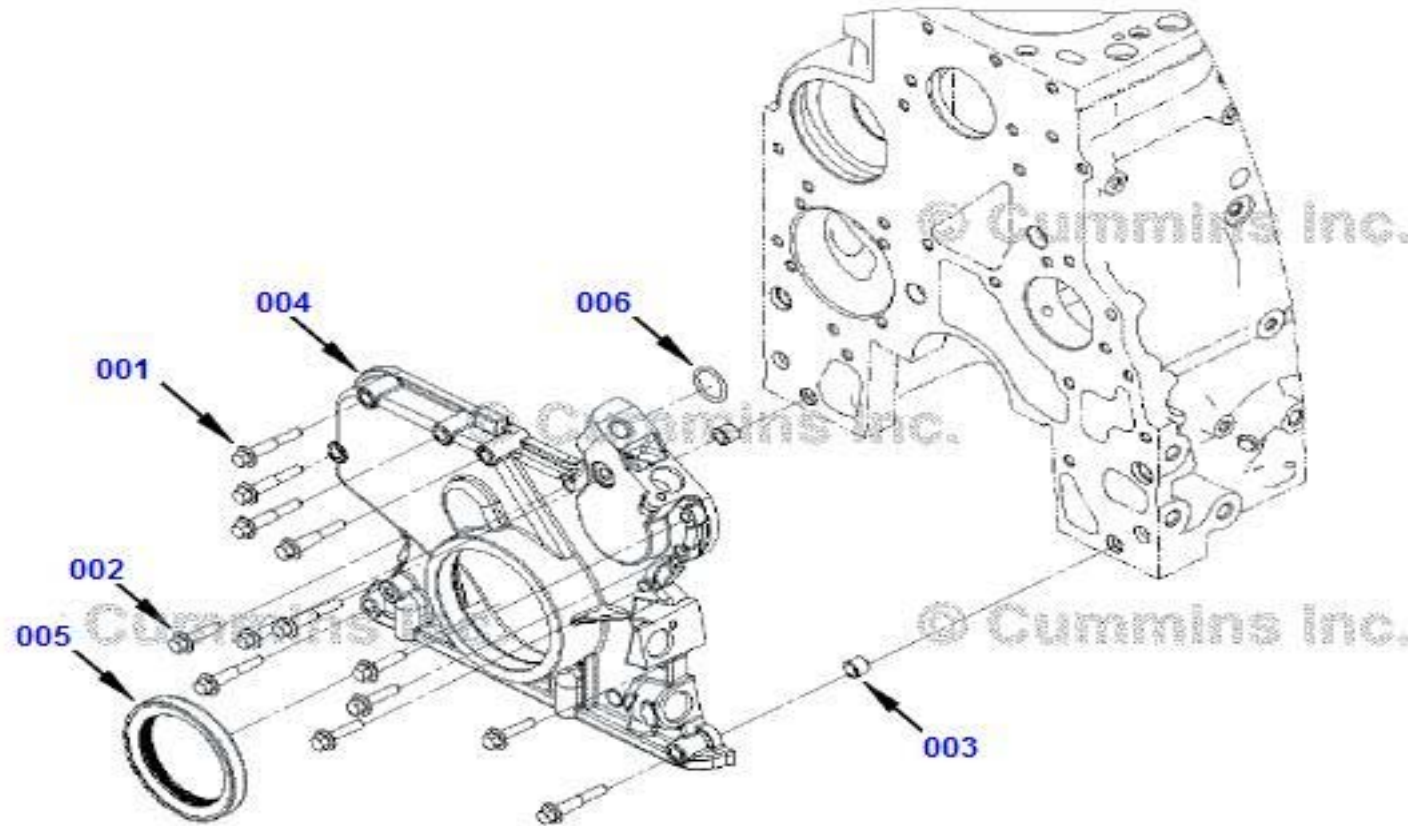
Picture No: DA951GW-00

| POZ | Part No | N.S.N | Code | Part Name (Türkçe) | Part Name (English) | Quantity |
|-----|-----------|-------|------|---|----------------------------|-------------|
| | | | | <i>Crankshaft,Piston & Flywheel</i> | | |
| 001 | CM5256139 | | | DAMPER, VISCOUS VIBRATION | DAMPER, VISCOUS VIBRATION | |
| 002 | CM3978478 | | | FLANGE, CRANKSHAFT | FLANGE, CRANKSHAFT | |
| 003 | CM4896768 | | | SCREW, HEX FLANGE HEAD CAP | SCREW, HEX FLANGE HEAD CAP | |
| | | | | Crankshaft,Piston & Flywheel | Engine | 0119 |

0119

Engine

Crankshaft,Piston & Flywheel



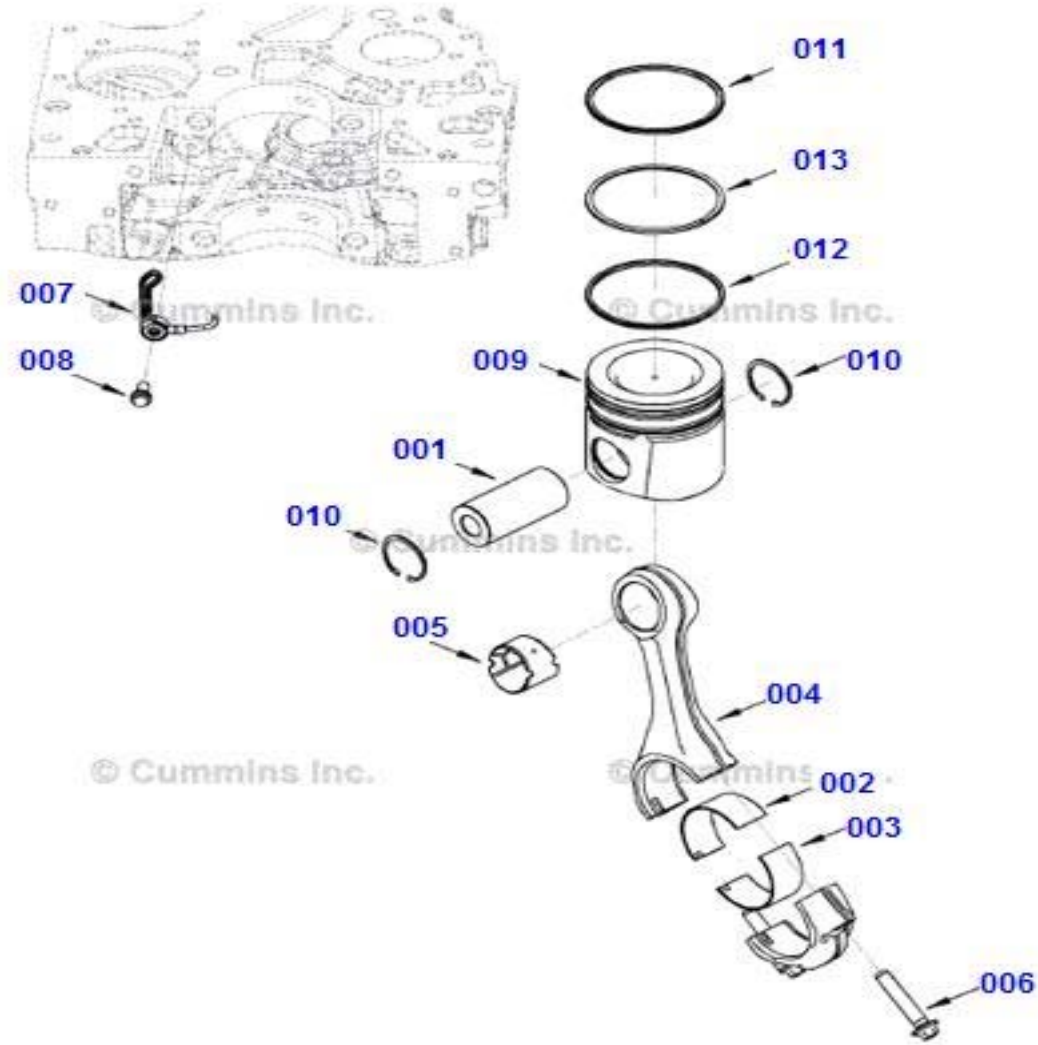
Picture No: GG942GW-00

| POZ | Part No | N.S.N | Code | Part Name (Türkçe) | Part Name (English) | Quantity |
|---|-----------|-------|------|---|----------------------------|-------------|
| | | | | <i>Crankshaft,Piston & Flywheel</i> | | |
| 001 | CM3901445 | | | SCREW, HEX FLANGE HEAD CAP | SCREW, HEX FLANGE HEAD CAP | |
| 002 | CM3902114 | | | SCREW, HEX FLANGE HEAD CAP | SCREW, HEX FLANGE HEAD CAP | |
| 003 | CM3949326 | | | DOWEL, RING | DOWEL, RING | |
| 004 | CM5289179 | | | COVER, FRONT | COVER, FRONT | |
| 005 | CM4890832 | | | SEAL, OIL | SEAL, OIL | |
| 006 | CM3958414 | | | SEAL, O RING | SEAL, O RING | |
| Crankshaft,Piston & Flywheel | | | | Engine | | 0119 |

0119

Engine

Crankshaft,Piston & Flywheel



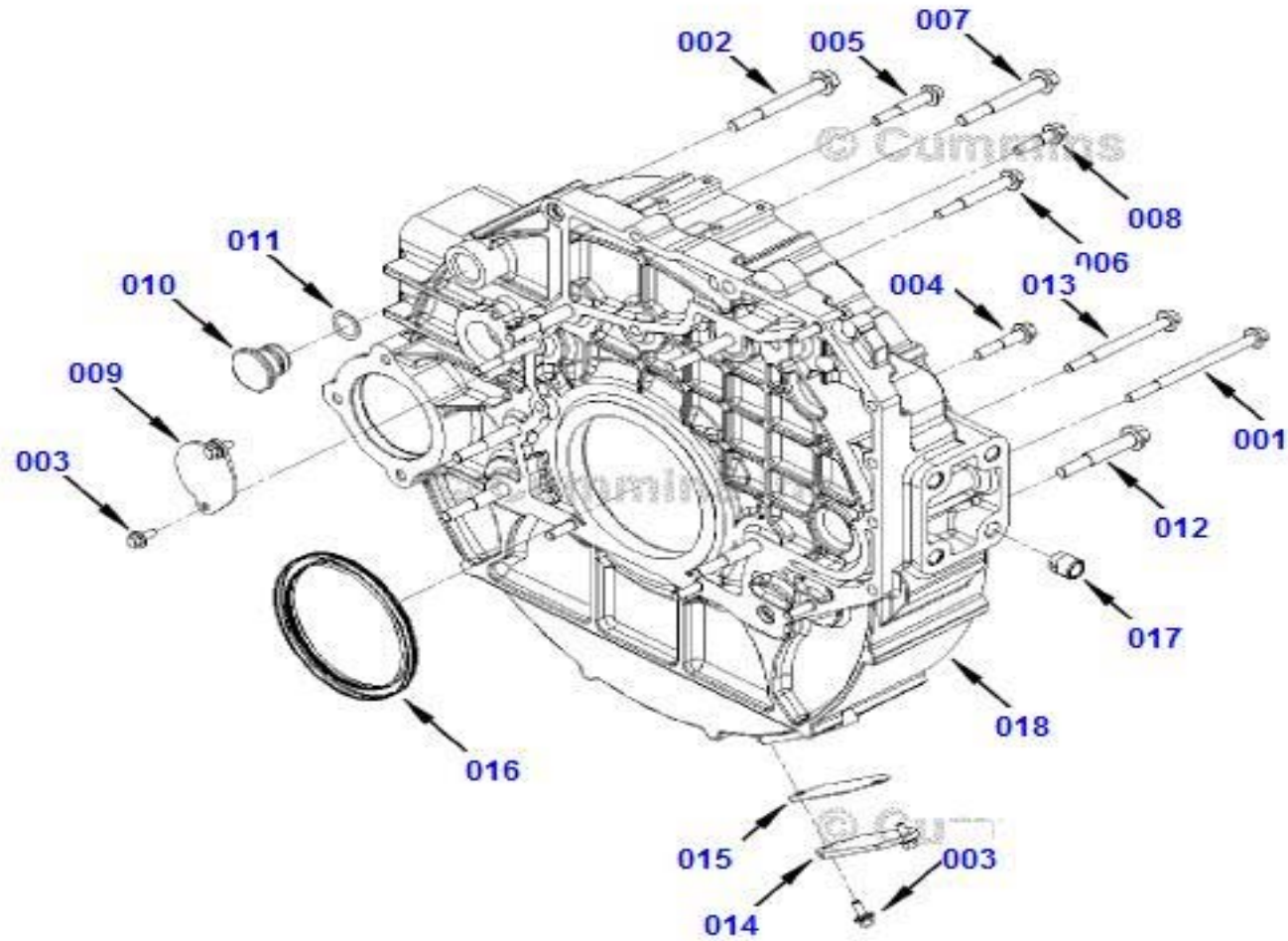
Picture No: PP990GF-00

| POZ | Part No | N.S.N | Code | Part Name (Türkçe) | Part Name (English) | Quantity |
|-----|-----------|-------|------|---|---------------------------|----------|
| | | | | <i>Crankshaft,Piston & Flywheel</i> | | |
| 000 | CM4943979 | | | ROD, ENGINE CONNECTING | ROD, ENGINE CONNECTING | |
| 000 | CM4309383 | | | KIT, PISTON | KIT, PISTON | |
| 000 | CM4955366 | | | SET, PISTON RING | SET, PISTON RING | |
| 000 | CM4309445 | | | KIT, PISTON (0.5 MM OS) | KIT, PISTON (0.5 MM OS) | |
| 000 | CM2882039 | | | .05 MM PISTON RING SET | 05 MM PISTON RING SET | |
| 001 | CM4931041 | | | PIN, PISTON | PIN, PISTON | |
| 002 | CM3969562 | | | BEARING, CONNECTING ROD | BEARING, CONNECTING ROD | |
| 002 | CM4932375 | | | BEARING, CONNECTING ROD | BEARING, CONNECTING ROD | |
| 002 | CM4932376 | | | BEARING, CONNECTING ROD | BEARING, CONNECTING ROD | |
| 002 | CM4932377 | | | BEARING, CONNECTING ROD | BEARING, CONNECTING ROD | |
| 002 | CM4932378 | | | BEARING, CONNECTING ROD | BEARING, CONNECTING ROD | |
| 003 | CM4893693 | | | BEARING, CONNECTING ROD | BEARING, CONNECTING ROD | |
| 003 | CM4892795 | | | BEARING, CONNECTING ROD | BEARING, CONNECTING ROD | |
| 003 | CM4892796 | | | BEARING, CONNECTING ROD | BEARING, CONNECTING ROD | |
| 003 | CM4892797 | | | BEARING, CONNECTING ROD | BEARING, CONNECTING ROD | |
| 003 | CM4892798 | | | BEARING, CONNECTING ROD | BEARING, CONNECTING ROD | |
| 004 | CM4943978 | | | ROD, ENGINE CONNECTING | ROD, ENGINE CONNECTING | |
| 005 | CM4891178 | | | BUSHING | BUSHING | |
| 006 | CM4891179 | | | SCREW, CONNECTING ROD CAP | SCREW, CONNECTING ROD CAP | |
| 007 | CM4937308 | | | NOZZLE, PISTON COOLING | NOZZLE, PISTON COOLING | |
| 008 | CM3964817 | | | SCREW, BANJO CONNECTOR | SCREW, BANJO CONNECTOR | |
| 009 | CM5274516 | | | PISTON, ENGINE | PISTON, ENGINE | |
| 009 | CM5274517 | | | PISTON, ENGINE | PISTON, ENGINE | |
| 010 | CM3920691 | | | RING, RETAINING | RING, RETAINING | |
| 011 | CM3976339 | | | RING, COMPRESSION PISTON | RING, COMPRESSION PISTON | |
| 011 | CM4931042 | | | RING, COMPRESSION PISTON | RING, COMPRESSION PISTON | |
| 012 | CM4932801 | | | RING, OIL PISTON | RING, OIL PISTON | |
| 012 | CM4932802 | | | RING, OIL PISTON | RING, OIL PISTON | |

Crankshaft,Piston & Flywheel

Engine

0119

0120**Engine****Timing Gear Case & Flywheel Housing**

Picture No: FH962GS-00

| POZ | Part No | N.S.N | Code | Part Name (Türkçe) | Part Name (English) | Quantity |
|-----|-----------|-------|------|--|----------------------------|----------|
| | | | | <i>Timing Gear Case & Flywheel Housing</i> | | |
| 000 | CM5287353 | | | HOUSING, FLYWHEEL | HOUSING, FLYWHEEL | |
| 000 | CM3934486 | | | RR CRANKSEAL SERV KIT | RR CRANKSEAL SERV KIT | |
| 000 | CM3904325 | | | TOOL, SEAL INSTALLATION | TOOL, SEAL INSTALLATION | |
| 000 | CM3909409 | | | TOOL, SEAL INSTALLATION | TOOL, SEAL INSTALLATION | |
| 001 | CM3089316 | | | SCREW, HEX FLANGE HEAD CAP | SCREW, HEX FLANGE HEAD CAP | |
| 002 | CM3332242 | | | SCREW, HEX FLANGE HEAD CAP | SCREW, HEX FLANGE HEAD CAP | |
| 003 | CM3900629 | | | SCREW, HEX FLANGE HEAD CAP | SCREW, HEX FLANGE HEAD CAP | |
| 004 | CM3900634 | | | SCREW, HEX FLANGE HEAD CAP | SCREW, HEX FLANGE HEAD CAP | |
| 005 | CM3900635 | | | SCREW, HEX FLANGE HEAD CAP | SCREW, HEX FLANGE HEAD CAP | |
| 006 | CM3900679 | | | SCREW, HEX FLANGE HEAD CAP | SCREW, HEX FLANGE HEAD CAP | |
| 007 | CM3902451 | | | SCREW, HEX FLANGE HEAD CAP | SCREW, HEX FLANGE HEAD CAP | |
| 008 | CM3903464 | | | SCREW, HEX FLANGE HEAD CAP | SCREW, HEX FLANGE HEAD CAP | |
| 009 | CM3908095 | | | PLATE, COVER | PLATE, COVER | |
| 010 | CM3910248 | | | PLUG, O RING | PLUG, O RING | |
| 011 | CM3910260 | | | SEAL, O RING | SEAL, O RING | |
| 012 | CM3914177 | | | SCREW, HEX FLANGE HEAD CAP | SCREW, HEX FLANGE HEAD CAP | |
| 013 | CM3922863 | | | SCREW, HEX FLANGE HEAD CAP | SCREW, HEX FLANGE HEAD CAP | |
| 014 | CM4892239 | | | PLATE, COVER | PLATE, COVER | |
| 015 | CM4893494 | | | GASKET, COVER PLATE | GASKET, COVER PLATE | |
| 016 | CM5259499 | | | SEAL, OIL | SEAL, OIL | |
| 017 | CM4899132 | | | INSERT, THREADED | INSERT, THREADED | |
| 018 | CM5287352 | | | HOUSING, FLYWHEEL | HOUSING, FLYWHEEL | |

Timing Gear Case & Flywheel Housing

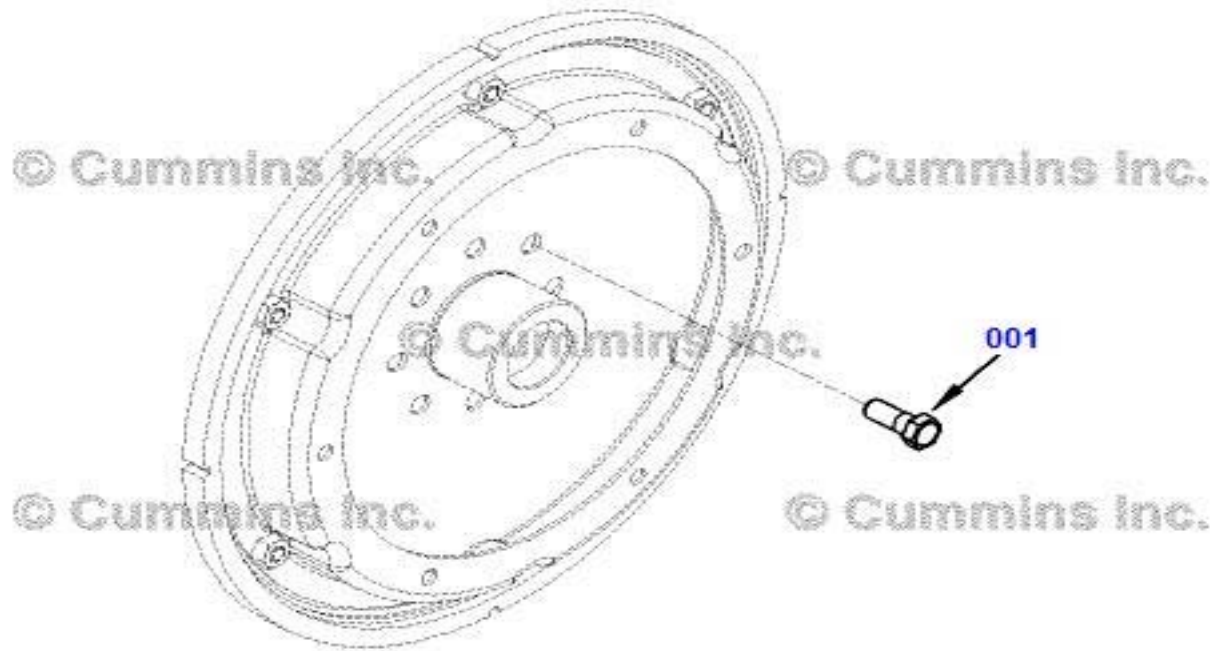
Engine

0120

0120

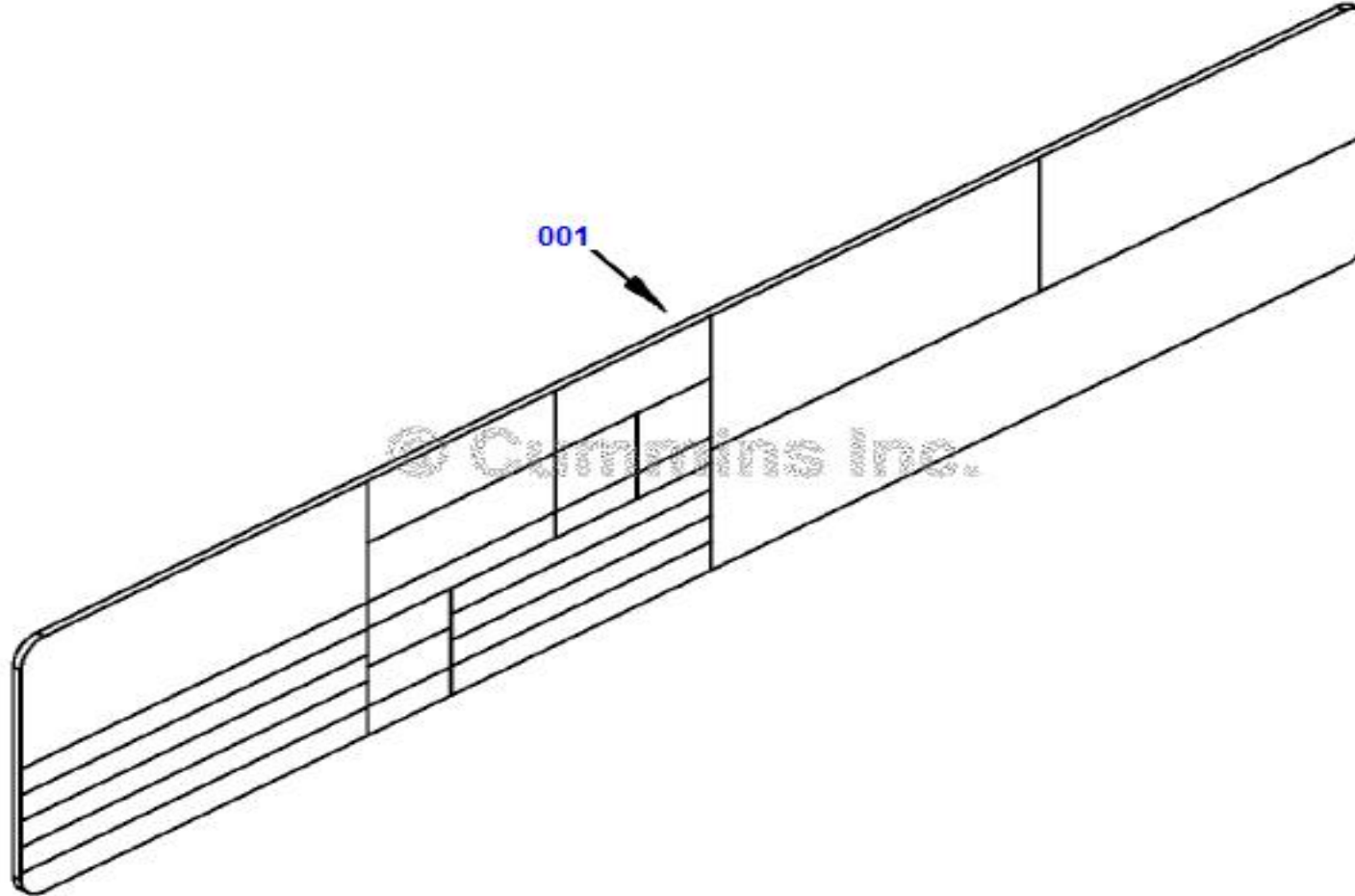
Engine

Timing Gear Case & Flywheel Housing



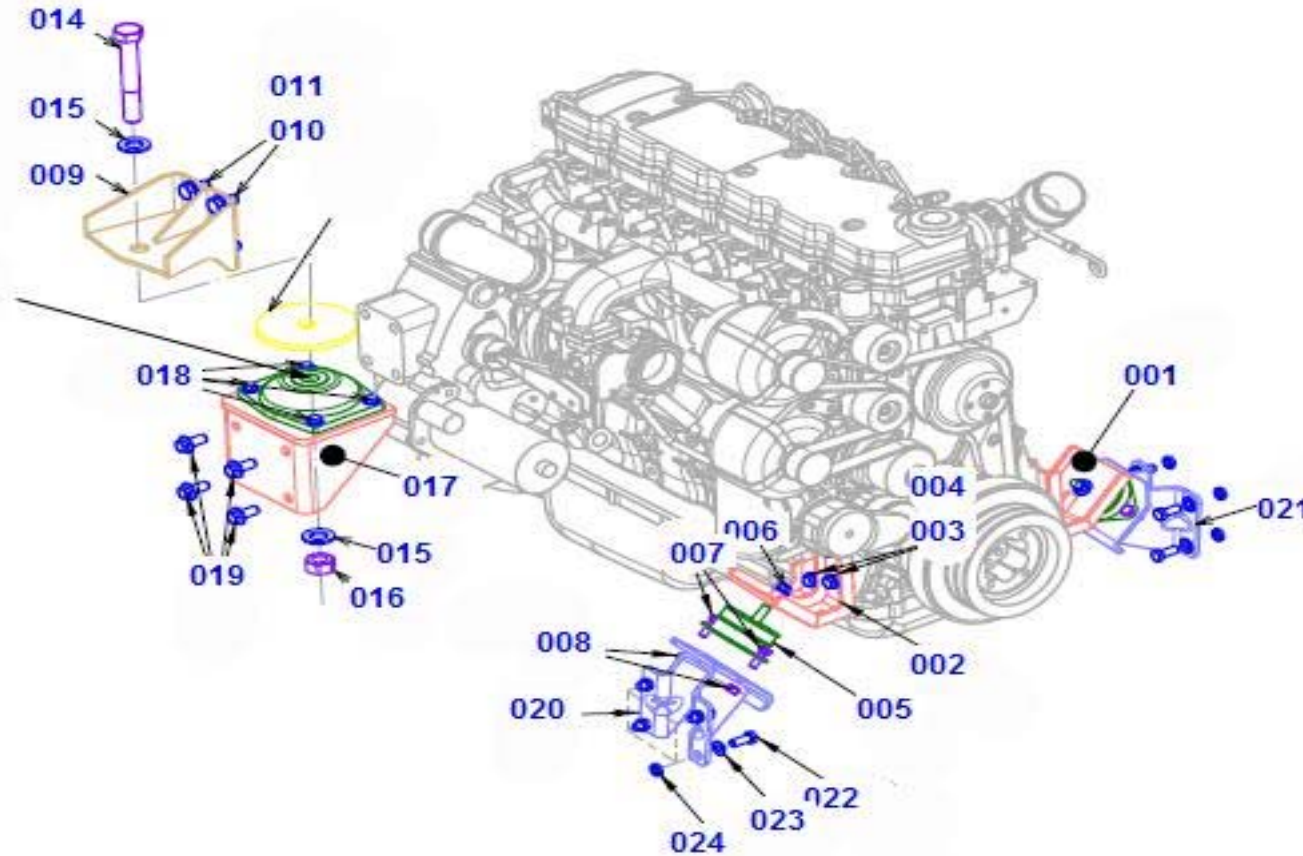
Picture No: FW951ZU-00

| POZ | Part No | N.S.N | Code | Part Name (Türkçe) | Part Name (English) | Quantity |
|-----|-----------|-------|------|---|---------------------------|-------------|
| 001 | CM4894641 | | | <i>Timing Gear Case & Flywheel Housing</i> SCREW, CAPTIVE WASHER CAP | SCREW, CAPTIVE WASHER CAP | |
| | | | | Timing Gear Case & Flywheel Housing | Engine | 0120 |

0121**Engine****Engine Mounting**

Picture No: AP950GU-00

| POZ | Part No | N.S.N | Code | Part Name (Türkçe) | Part Name (English) | Quantity |
|-----------------|-----------|-------|------|-------------------------------------|---------------------|----------|
| 001 | CM4996963 | | | <i>Engine Mounting</i> DATAPLATE | DATAPLATE | |
| Engine Mounting | | | | Engine | | 0121 |

0121**Engine****Engine Mounting**

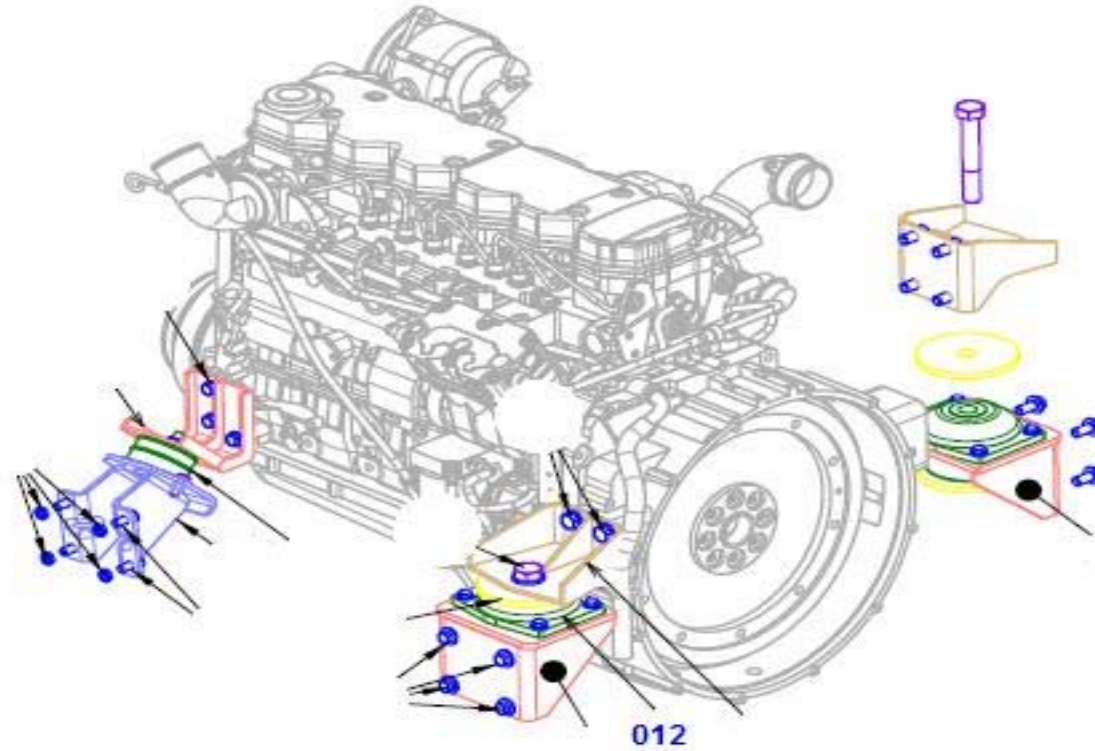
Picture No: EPL340220100-00

| POZ | Part No | N.S.N | Code | Part Name (Türkçe) | Part Name (English) | Quantity |
|-----|--------------|-------|------|---|--|----------|
| | | | | <i>Engine Mounting</i> | | |
| 001 | 387036128001 | | | BRAKET, MOTOR TAKOZU ON SOL | BRACKET, ENGINE MOUNT FRONT LEFT | 1 |
| 002 | 387036159101 | | | BRAKET, MOTOR TAKOZU ON SAG | BRACKET, ENGINE MOUNT FRONT RIGHT | 1 |
| 003 | 300051230401 | | | CIVATA, AKB M12X1. 75X30, KALIN D. DIN933 | BOLT, HEX M12X1. 75X30, COARSE T. DIN933 | 6 |
| 004 | 301000012401 | | | RONDELA | WASHER | 6 |
| 005 | 387033538051 | | | TAKOZ, DAIRESEL, MOTOR | MOUNT, CIRCULAR, ENGINE | 2 |
| 006 | 300620012601 | | | SOMUN, FLN M12X1. 75, KALIN D. DIN6923 | NUT, FLN M12X1. 75, COARSE T. DIN6923 | 2 |
| 007 | 300021030401 | | | CIVATA, AKB M10X1. 25X30, INCE D. DIN961 | BOLT, HEX M10X1. 25X30, FINE T. DIN961 | 4 |
| 008 | 300630010601 | | | SOMUN, FLN M10X1. 25, INCE D. DIN6923 | NUT, FLN M10X1. 25, FINE T. DIN6923 | 4 |
| 009 | 387034896001 | | | BRAKET, MOTOR ARKA | BRACKET, ENGINE REAR | 2 |
| 010 | 300051630401 | | | CIVATA, AKB M16X2X30, KALIN D. DIN933 | BOLT, HEX M16X2X30, COARSE T. DIN933 | 8 |
| 011 | 301000016401 | | | RONDELA, D16x3 DIN 125 | WASHER | 8 |
| 014 | 387035305001 | | | CIVATA, M24x2x160 DIN 960 | BOLT, M24x2x160 DIN 960 | 2 |
| 015 | 301000024401 | | | PUL, S KAM MILI | WASHER, S CAMSHAFT | 4 |
| 016 | 387035306101 | | | SOMUN, M24x2 DIN 934 | NUT, M24x2 DIN 934 | 2 |
| 017 | 387034897001 | | | BRAKET, MOTOR ARKA GOVDE | BRACKET, ENGINE REAR BODY | 2 |
| 018 | 300151040401 | | | CIVATA, FLN M10X1. 25X40, INCE D. DIN6921 | BOLT, FLN M10X1. 25X40, FINE T. DIN6921 | 8 |
| 019 | 300151430401 | | | CIVATA, FLN M14X1. 5X30, INCE D. DIN6921 | BOLT, FLN M14X1. 5X30, FINE T. DIN6921 | 8 |
| 020 | 387037907001 | | | BRAKET, MOTOR, ON SAG | BRACKET, ENGINE, FRONT RIGHT | 1 |
| 021 | 387037909001 | | | BRAKET, MOTOR, ON SOL | BRACKET, ENGINE, FRONT LEFT | 1 |
| 022 | 300051230401 | | | CIVATA, AKB M12X1. 75X30, KALIN D. DIN933 | BOLT, HEX M12X1. 75X30, COARSE T. DIN933 | 8 |
| 023 | 301000012401 | | | RONDELA | WASHER | 8 |
| 024 | 300500012401 | | | SOMUN, AKB M12X1. 75, KALIN D. DIN934 | NUT, HEX M12X1. 75, COARSE T. DIN934 | 8 |

Engine Mounting

Engine

0121

0121**Engine****Engine Mounting**

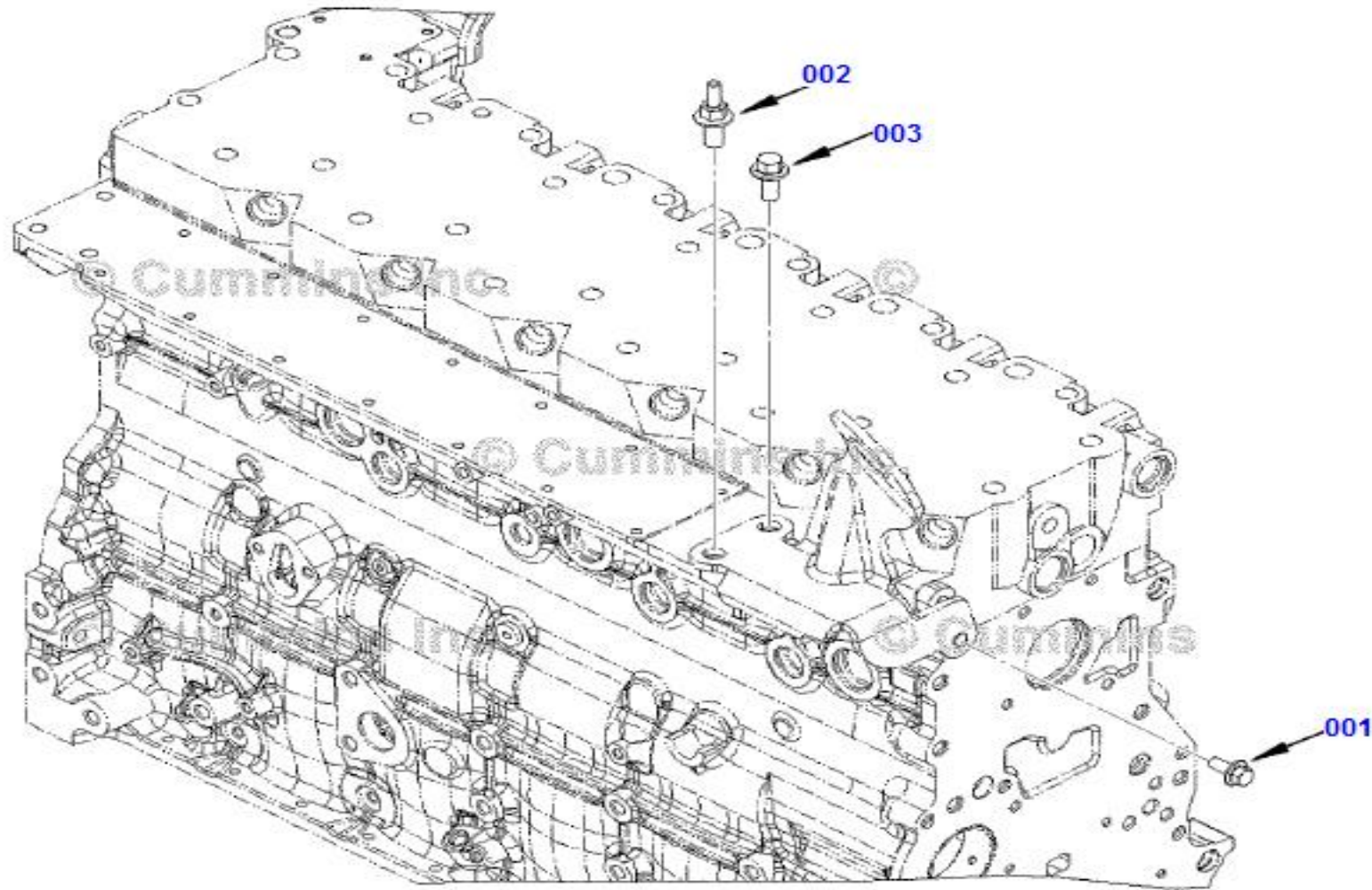
Picture No: EPL340220100-01

| POZ | Part No | N.S.N | Code | Part Name (Türkçe) | Part Name (English) | Quantity |
|-----------------|--------------|-------|------|--|---------------------|----------|
| 012 | 387034894051 | | | <i>Engine Mounting</i> MOTOR TAKOZU, ARKA | MOUNTING | 2 |
| Engine Mounting | | | | Engine | | 0121 |

0121

Engine

Engine Mounting



Picture No: LA954GV-00

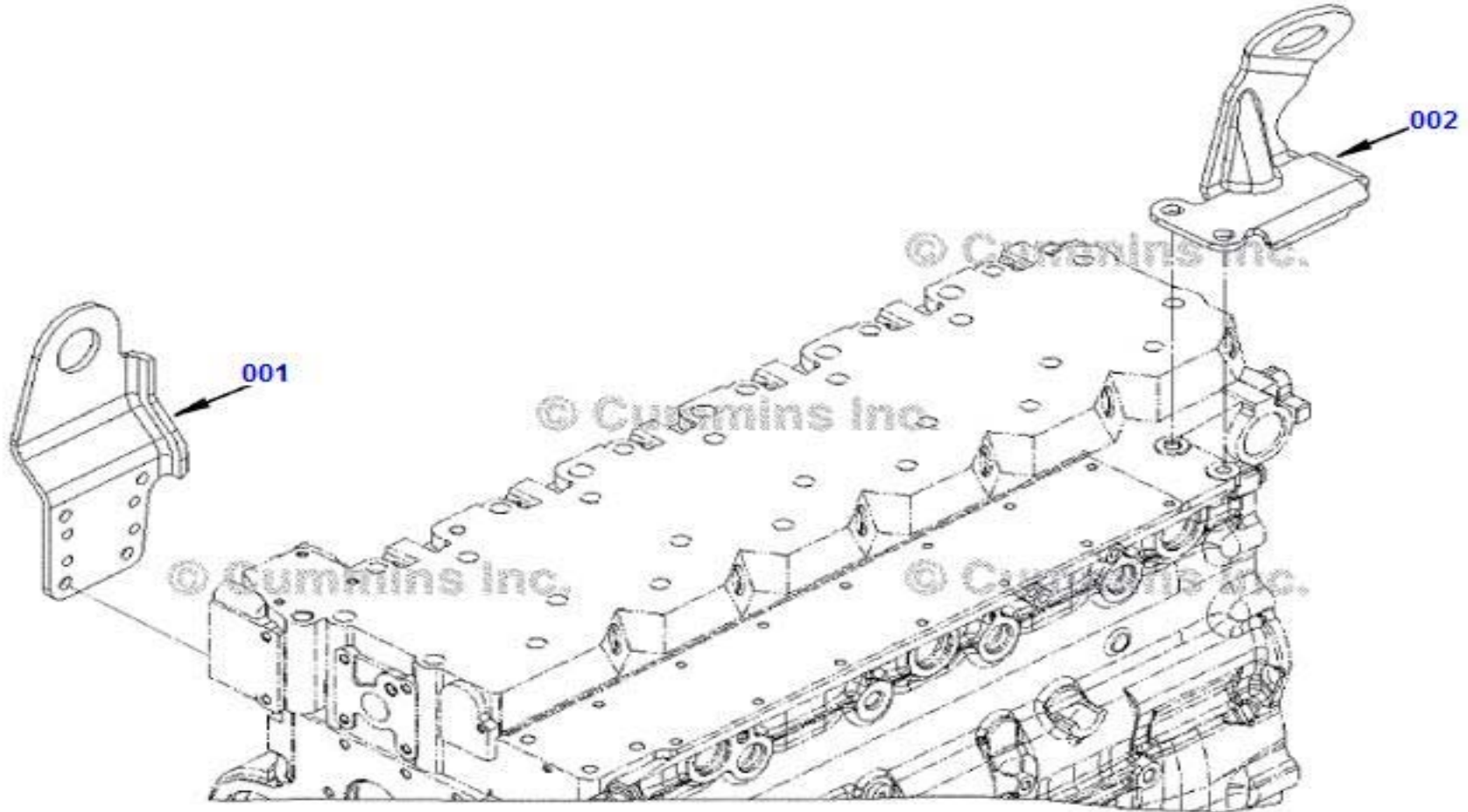


| POZ | Part No | N.S.N | Code | Part Name (Türkçe) | Part Name (English) | Quantity |
|-----------------|-----------|-------|------|----------------------------|----------------------------|----------|
| | | | | <i>Engine Mounting</i> | | |
| 001 | CM3903990 | | | SCREW, HEX FLANGE HEAD CAP | SCREW, HEX FLANGE HEAD CAP | |
| 002 | CM3944061 | | | SCREW, STUDDED FLANGE CAP | SCREW, STUDDED FLANGE CAP | |
| 003 | CM4940240 | | | SCREW, HEX FLANGE HEAD CAP | SCREW, HEX FLANGE HEAD CAP | |
| Engine Mounting | | | | Engine | | 0121 |

0121

Engine

Engine Mounting



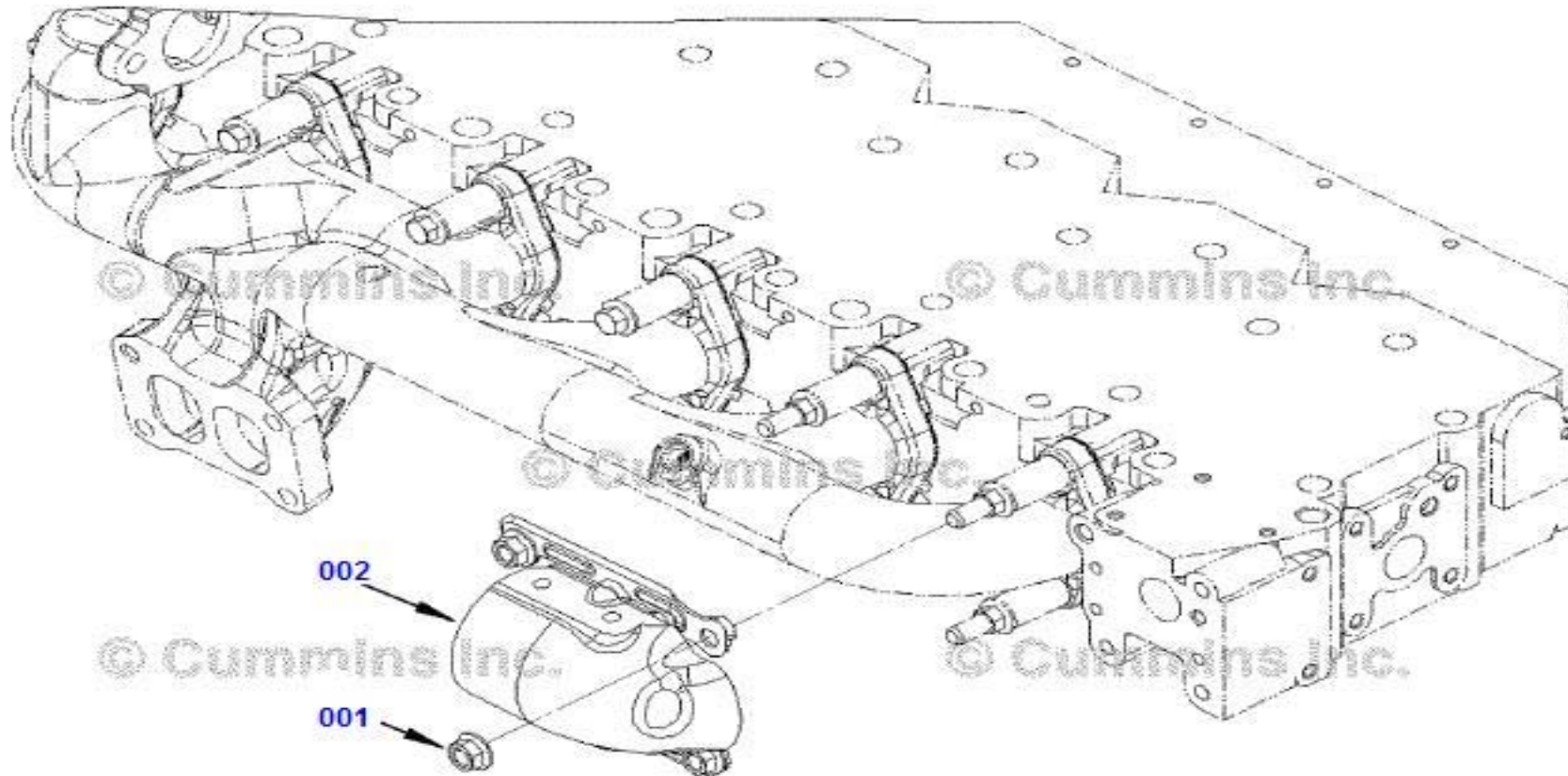
Picture No: LA954GW-00

| POZ | Part No | N.S.N | Code | Part Name (Türkçe) | Part Name (English) | Quantity |
|-----------------|-----------|-------|------|-------------------------|-------------------------|----------|
| | | | | <i>Engine Mounting</i> | | |
| 001 | CM5288070 | | | BRACKET, ENGINE LIFTING | BRACKET, ENGINE LIFTING | |
| 002 | CM5300932 | | | BRACKET, ENGINE LIFTING | BRACKET, ENGINE LIFTING | |
| Engine Mounting | | | | Engine | | 0121 |

0121

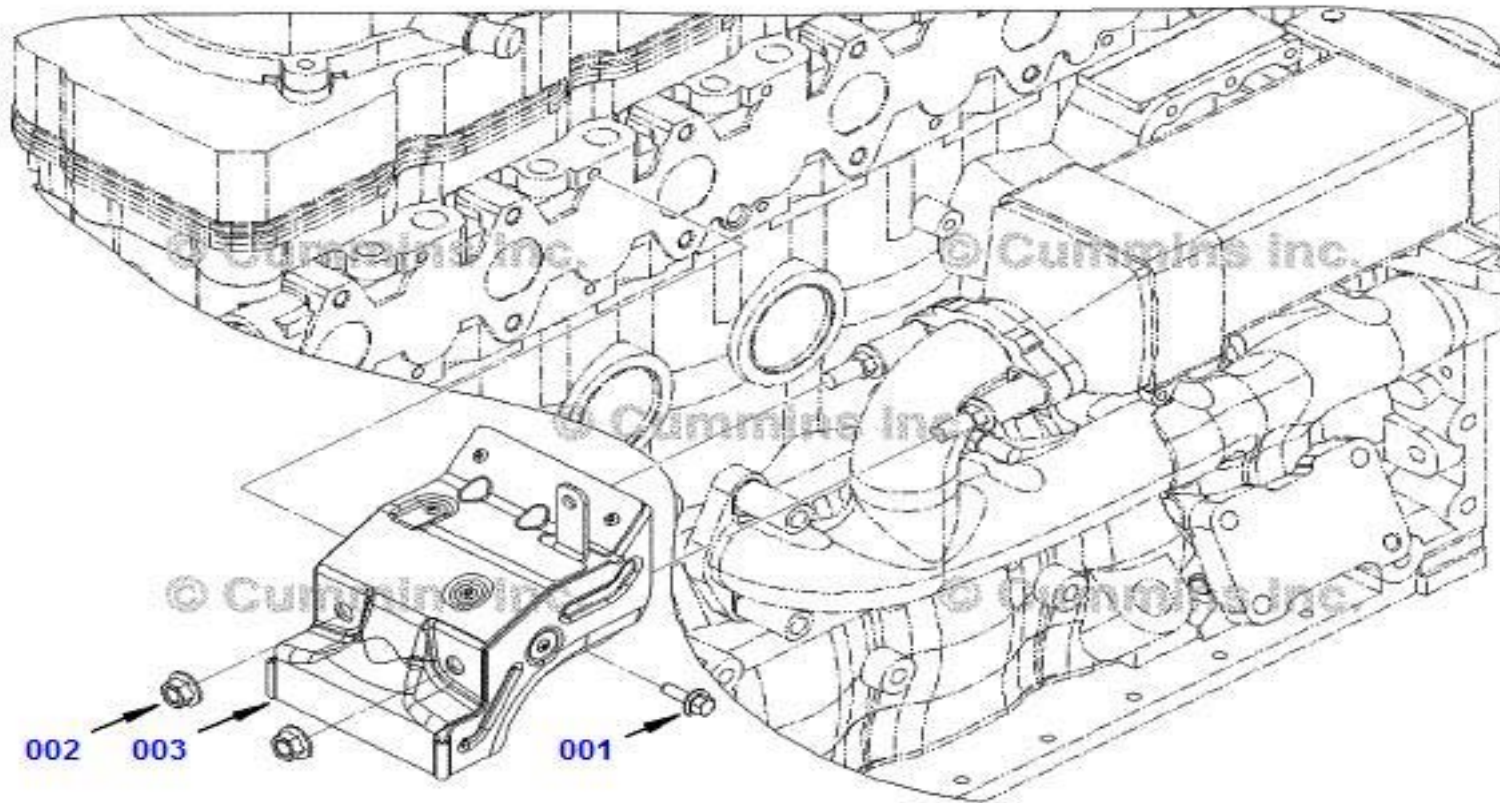
Engine

Engine Mounting



Picture No: SH953GM-00

| POZ | Part No | N.S.N | Code | Part Name (Türkçe) | Part Name (English) | Quantity |
|-----------------|-----------|-------|------|------------------------|---------------------|----------|
| | | | | <i>Engine Mounting</i> | | |
| 001 | CM3902662 | | | NUT, HEXAGON FLANGE | NUT, HEXAGON FLANGE | |
| 002 | CM5301207 | | | SHIELD, HEAT | SHIELD, HEAT | |
| Engine Mounting | | | | Engine | | 0121 |

0121**Engine****Engine Mounting**

Picture No: SH953GS-00

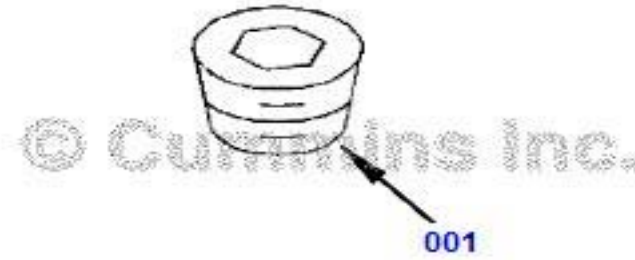


| POZ | Part No | N.S.N | Code | Part Name (Türkçe) | Part Name (English) | Quantity |
|-----------------|-----------|-------|------|----------------------------|----------------------------|----------|
| | | | | <i>Engine Mounting</i> | | |
| 001 | CM3900630 | | | SCREW, HEX FLANGE HEAD CAP | SCREW, HEX FLANGE HEAD CAP | |
| 002 | CM3902662 | | | NUT, HEXAGON FLANGE | NUT, HEXAGON FLANGE | |
| 003 | CM5301253 | | | SHIELD, HEAT | SHIELD, HEAT | |
| Engine Mounting | | | | Engine | | 0121 |

0122

Engine

Inlet Manifold



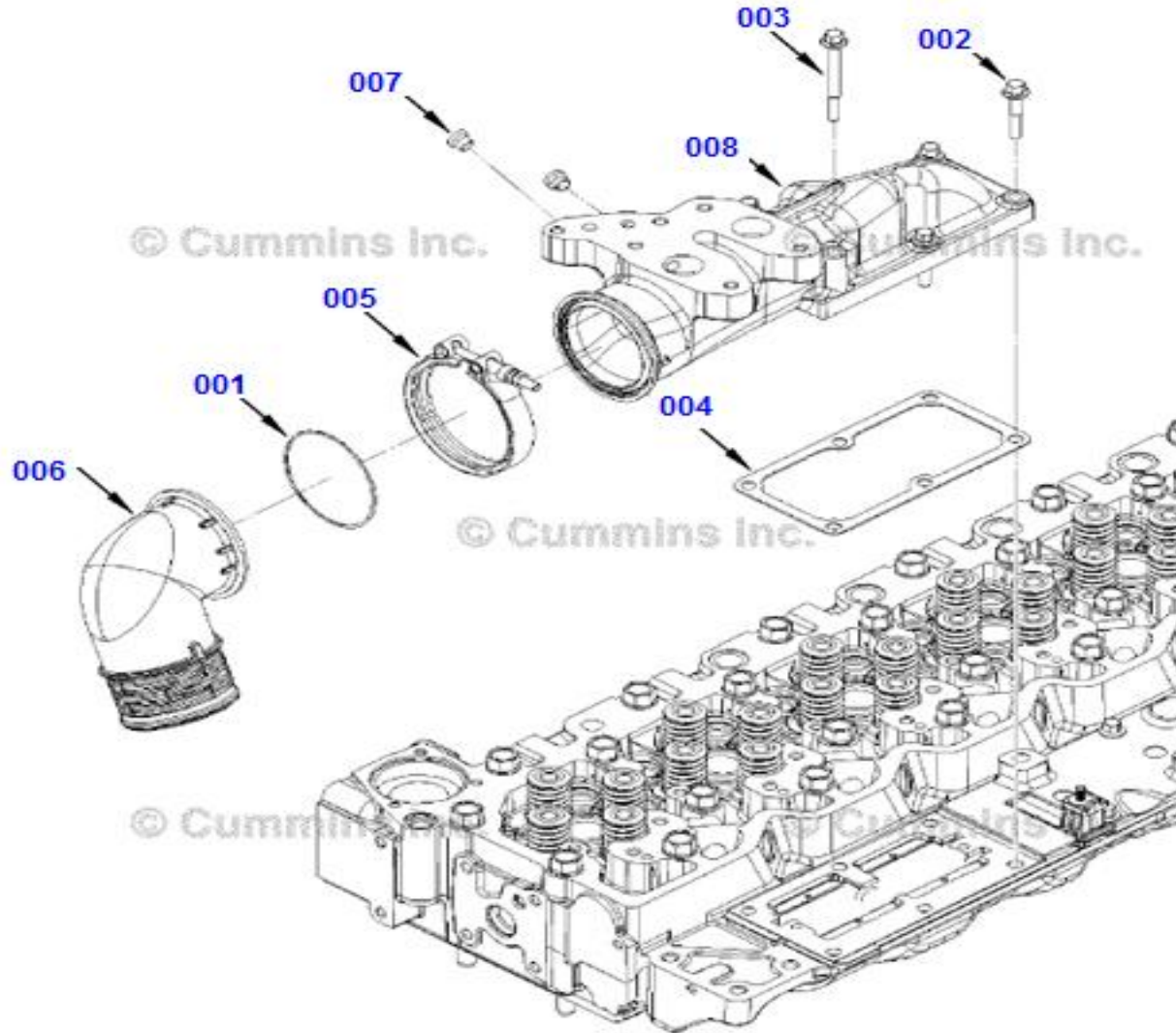
Picture No: CH950GE-00

| POZ | Part No | N.S.N | Code | Part Name (Türkçe) | Part Name (English) | Quantity |
|-----|-----------|-------|------|-------------------------------------|---------------------|-------------|
| 001 | CM3008469 | | | <i>Inlet Manifold</i> PLUG, PIPE | PLUG, PIPE | |
| | | | | Inlet Manifold | Engine | 0122 |

0122

Engine

Inlet Manifold



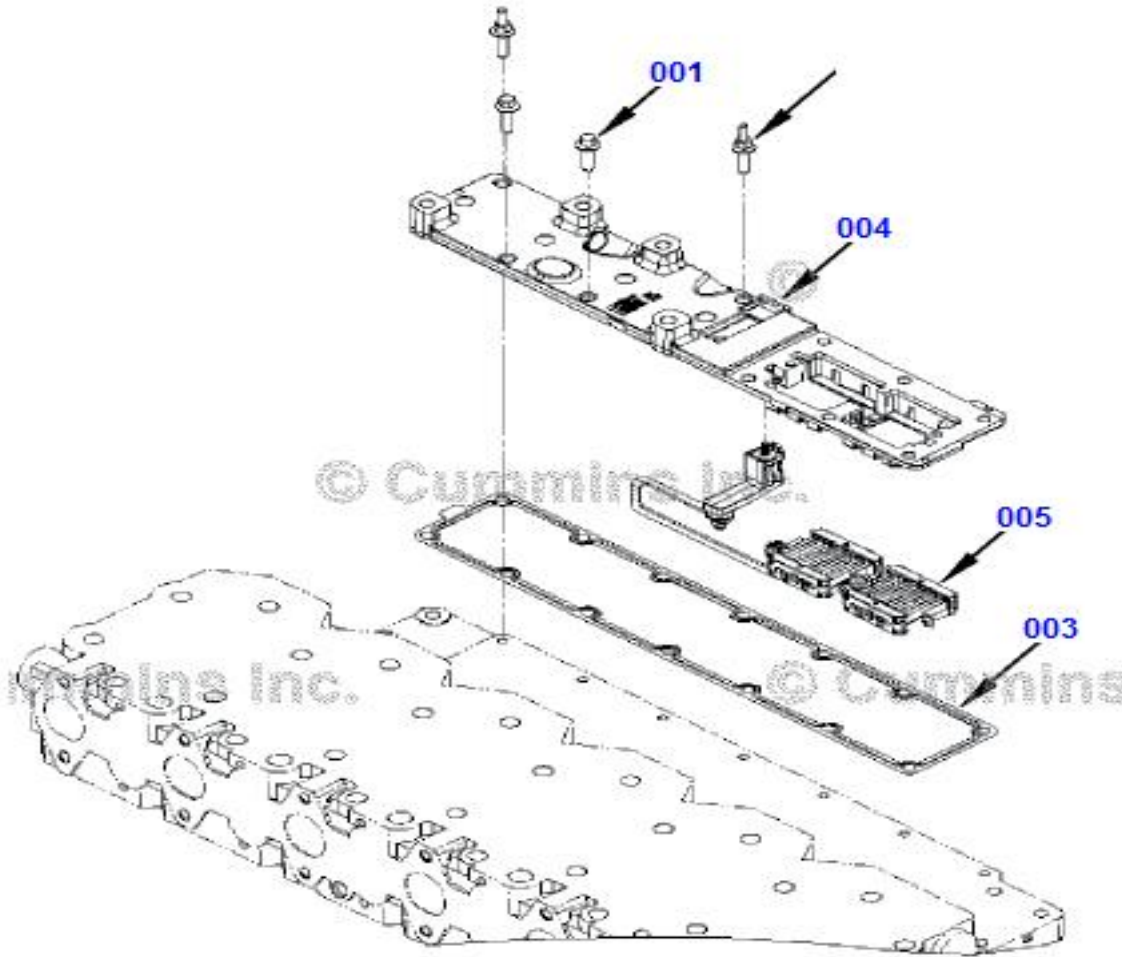
Picture No: IC966GD-00

| POZ | Part No | N.S.N | Code | Part Name (Türkçe) | Part Name (English) | Quantity |
|-----|-----------|-------|------|----------------------------|----------------------------|----------|
| | | | | <i>Inlet Manifold</i> | | |
| 000 | CM5301852 | | | CONNECTION, AIR INTAKE | CONNECTION, AIR INTAKE | |
| 001 | CM3867646 | | | SEAL, O RING | SEAL, O RING | |
| 002 | CM3900678 | | | SCREW, HEX FLANGE HEAD CAP | SCREW, HEX FLANGE HEAD CAP | |
| 003 | CM3903096 | | | SCREW, HEX FLANGE HEAD CAP | SCREW, HEX FLANGE HEAD CAP | |
| 004 | CM3978072 | | | GASKET, CONNECTION | GASKET, CONNECTION | |
| 005 | CM5269284 | | | CLAMP, V BAND | CLAMP, V BAND | |
| 006 | CM5304191 | | | PIPE, AIR TRANSFER | PIPE, AIR TRANSFER | |
| 007 | CM3977851 | | | PLUG, THREADED | PLUG, THREADED | |
| 008 | CM5295268 | | | CONNECTION, AIR INTAKE | CONNECTION, AIR INTAKE | |

Inlet Manifold

Engine

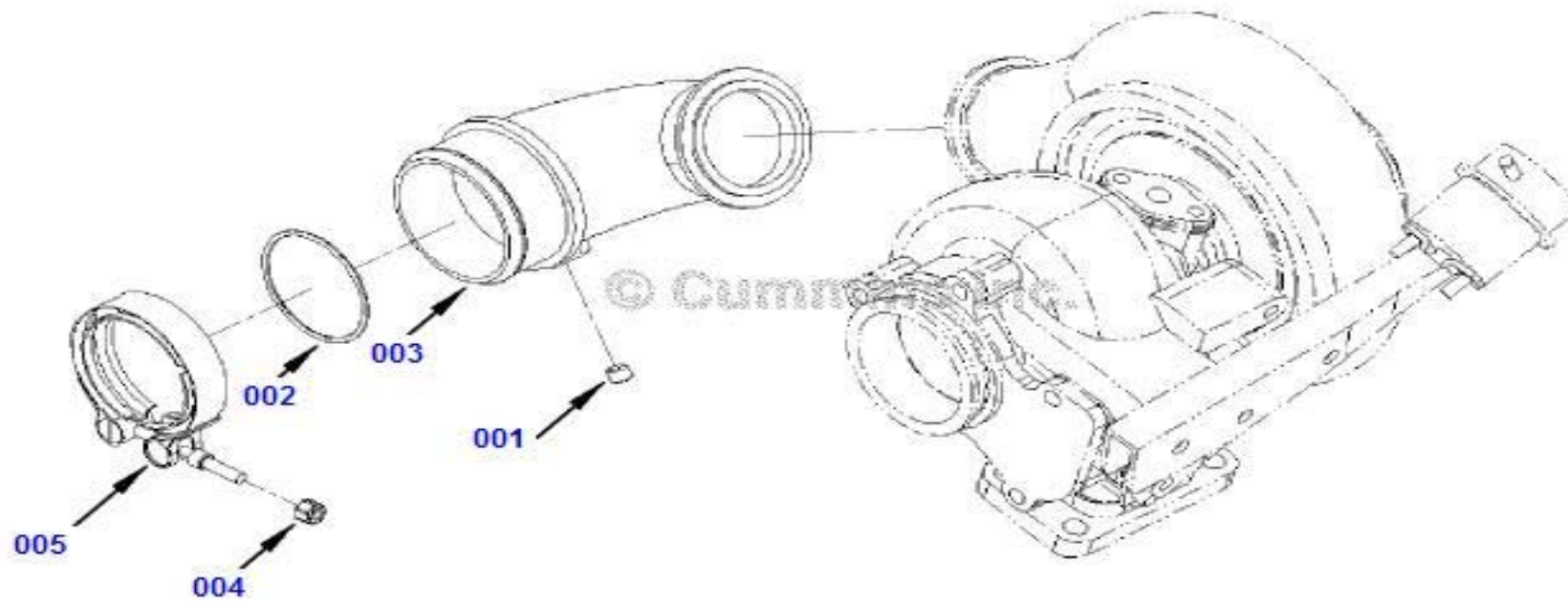
0122

0122**Engine****Inlet Manifold**

Picture No: IM905GL-00



| POZ | Part No | N.S.N | Code | Part Name (Türkçe) | Part Name (English) | Quantity |
|-----|-----------|-------|------|----------------------------|----------------------------|-------------|
| | | | | <i>Inlet Manifold</i> | | |
| 000 | CM5300573 | | | COVER, INTAKE MANIFOLD | COVER, INTAKE MANIFOLD | |
| 001 | CM3918109 | | | SCREW, HEX FLANGE HEAD CAP | SCREW, HEX FLANGE HEAD CAP | |
| 003 | CM3947530 | | | GASKET, INT MANIFOLD COVER | GASKET, INT MANIFOLD COVER | |
| 004 | CM5301204 | | | COVER, INTAKE MANIFOLD | COVER, INTAKE MANIFOLD | |
| 005 | CM5301206 | | | HEATER, INTAKE AIR | HEATER, INTAKE AIR | |
| | | | | Inlet Manifold | Engine | 0122 |

0122**Engine****Inlet Manifold**

Picture No: IT950GA-00



| POZ | Part No | N.S.N | Code | Part Name (Türkçe) | Part Name (English) | Quantity |
|-----|-----------|-------|------|-----------------------|---------------------|----------|
| | | | | <i>Inlet Manifold</i> | | |
| 001 | CM3008465 | | | PLUG, PIPE | PLUG, PIPE | |
| 002 | CM3883284 | | | SEAL, O RING | SEAL, O RING | |
| 003 | CM3918685 | | | PIPE, AIR TRANSFER | PIPE, AIR TRANSFER | |
| 004 | CM3923041 | | | NUT, LOCK | NUT, LOCK | |
| 005 | CM3069053 | | | CLAMP, V BAND | CLAMP, V BAND | |

Inlet Manifold

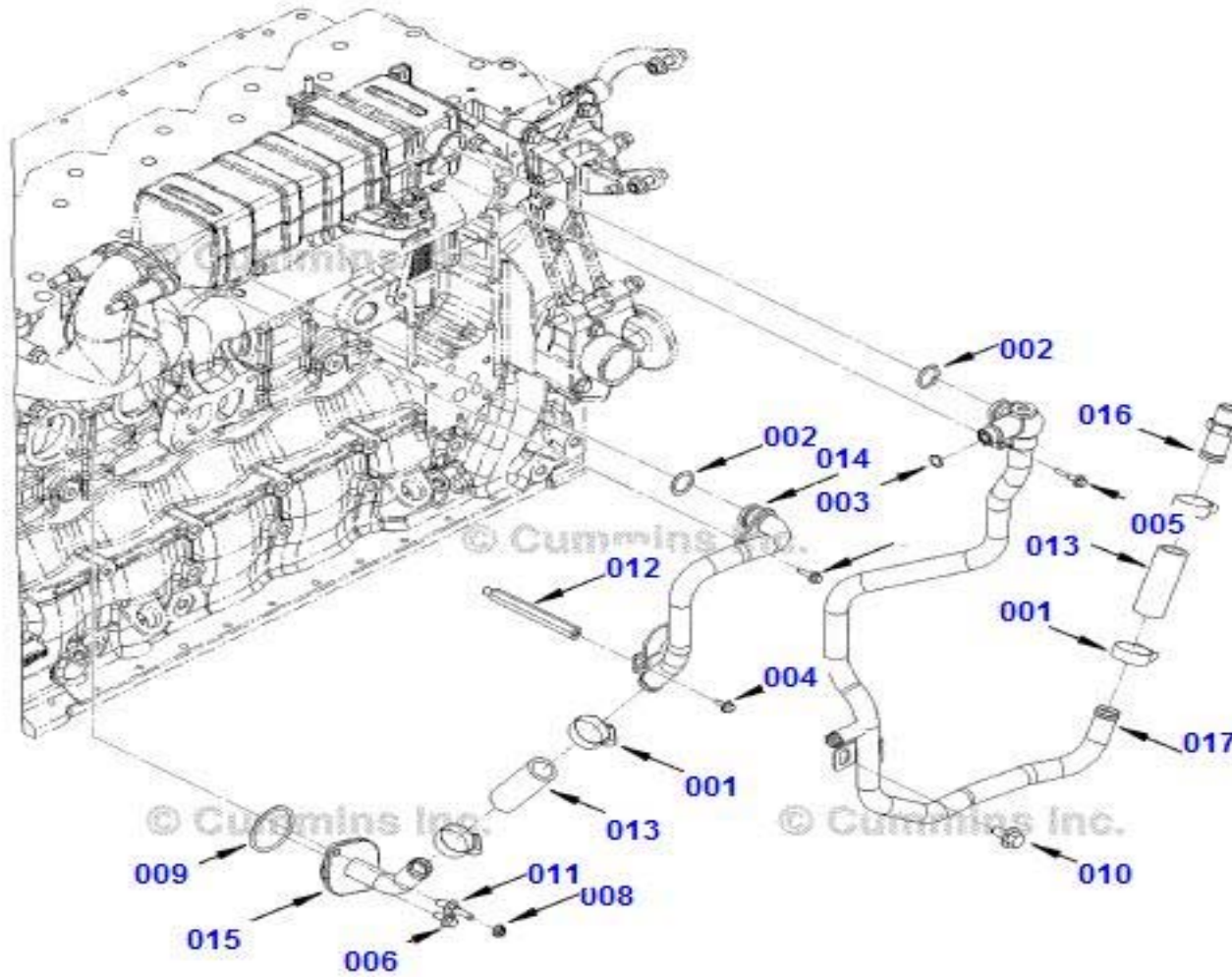
Engine

0122

0123

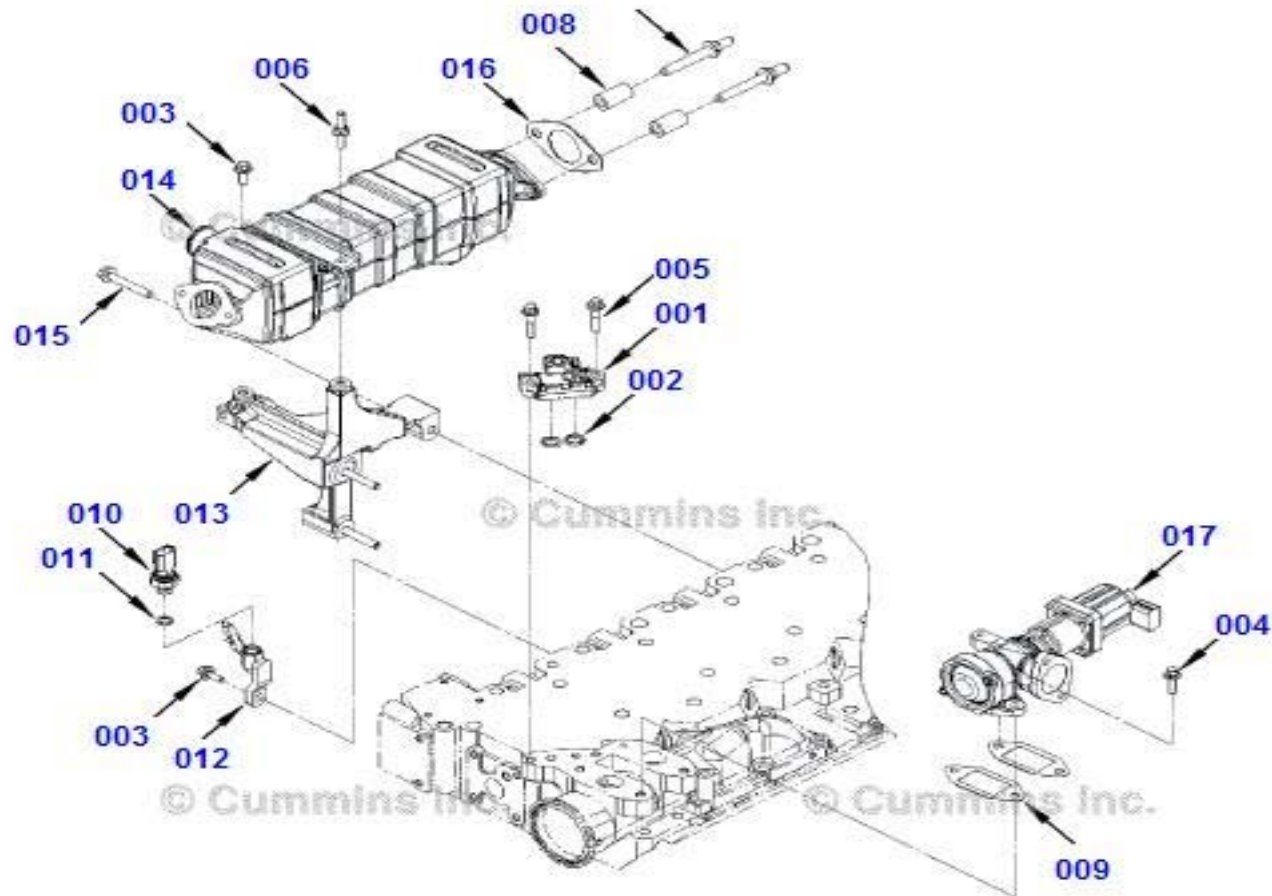
Engine

Exhaust Manifold



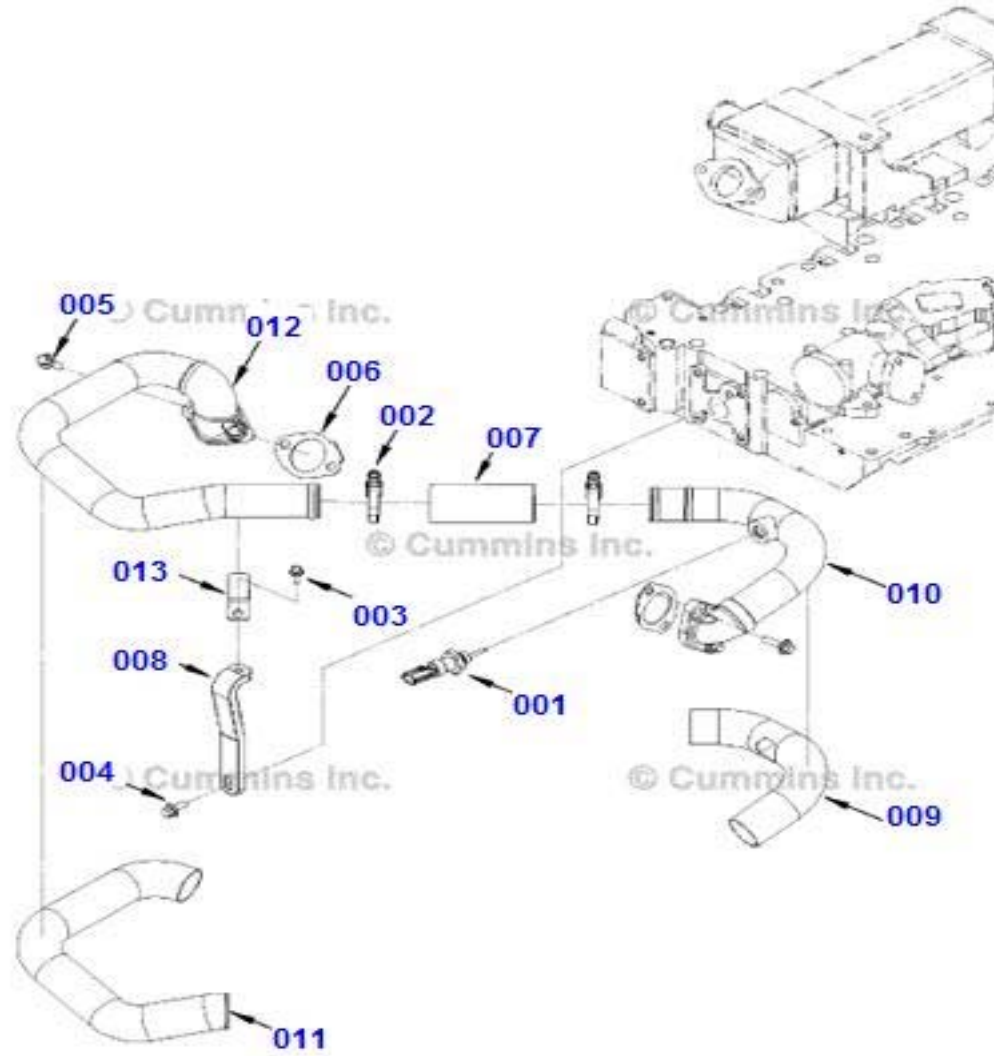
Picture No: ER906GM-00

| POZ | Part No | N.S.N | Code | Part Name (Türkçe) | Part Name (English) | Quantity |
|-------------------------|-----------|-------|------|----------------------------|----------------------------|-------------|
| | | | | <i>Exhaust Manifold</i> | | |
| 001 | CM3010550 | | | CLAMP, HOSE | CLAMP, HOSE | |
| 002 | CM3058653 | | | SEAL, O RING | SEAL, O RING | |
| 003 | CM3627695 | | | SEAL, O RING | SEAL, O RING | |
| 004 | CM3900627 | | | SCREW, HEX FLANGE HEAD CAP | SCREW, HEX FLANGE HEAD CAP | |
| 005 | CM3900628 | | | SCREW, HEX FLANGE HEAD CAP | SCREW, HEX FLANGE HEAD CAP | |
| 006 | CM3900629 | | | SCREW, HEX FLANGE HEAD CAP | SCREW, HEX FLANGE HEAD CAP | |
| 007 | CM3901865 | | | SCREW, HEX FLANGE HEAD CAP | SCREW, HEX FLANGE HEAD CAP | |
| 008 | CM3906216 | | | NUT, HEXAGON FLANGE | NUT, HEXAGON FLANGE | |
| 009 | CM3910517 | | | SEAL, O RING | SEAL, O RING | |
| 010 | CM3913372 | | | SCREW, HEX FLANGE HEAD CAP | SCREW, HEX FLANGE HEAD CAP | |
| 011 | CM3921816 | | | SCREW, STUDED FLANGE CAP | SCREW, STUDED FLANGE CAP | |
| 012 | CM5254305 | | | SCREW, HEXAGON HEAD CAP | SCREW, HEXAGON HEAD CAP | |
| 013 | CM5272790 | | | HOSE, PLAIN | HOSE, PLAIN | |
| 014 | CM5283755 | | | TUBE, EXH CLR WATER INLET | TUBE, EXH CLR WATER INLET | |
| 015 | CM5283760 | | | TUBE, EXH CLR WATER INLET | TUBE, EXH CLR WATER INLET | |
| 016 | CM5291950 | | | COUPLING, PLAIN HOSE | COUPLING, PLAIN HOSE | |
| 017 | CM5304163 | | | TUBE, EXH CLR WATER OUTLET | TUBE, EXH CLR WATER OUTLET | |
| Exhaust Manifold | | | | Engine | | 0123 |

0123**Engine****Exhaust Manifold**

Picture No: ER911GH-00

| POZ | Part No | N.S.N | Code | Part Name (Türkçe) | Part Name (English) | Quantity |
|-------------------------|-----------|-------|------|----------------------------|----------------------------|-------------|
| | | | | <i>Exhaust Manifold</i> | | |
| 000 | CM2881692 | | | KIT, EGR COOLER | KIT, EGR COOLER | |
| 000 | CM2881693 | | | KIT, EGR VALVE | KIT, EGR VALVE | |
| 001 | CM2872424 | | | SENSOR, DFN PRESSURE | SENSOR, DFN PRESSURE | |
| 002 | CM4076823 | | | SEAL, RECTANGULAR RING | SEAL, RECTANGULAR RING | |
| 003 | CM3900630 | | | SCREW, HEX FLANGE HEAD CAP | SCREW, HEX FLANGE HEAD CAP | |
| 004 | CM3900631 | | | SCREW, HEX FLANGE HEAD CAP | SCREW, HEX FLANGE HEAD CAP | |
| 005 | CM3900632 | | | SCREW, HEX FLANGE HEAD CAP | SCREW, HEX FLANGE HEAD CAP | |
| 006 | CM3941976 | | | SCREW, STUDED FLANGE CAP | SCREW, STUDED FLANGE CAP | |
| 008 | CM3945252 | | | SPACER, MOUNTING | SPACER, MOUNTING | |
| 009 | CM3979769 | | | GASKET, EXH GAS RCN VALVE | GASKET, EXH GAS RCN VALVE | |
| 010 | CM4928594 | | | SENSOR, PRESSURE | SENSOR, PRESSURE | |
| 011 | CM4010519 | | | SEAL, O RING | SEAL, O RING | |
| 012 | CM4983620 | | | TUBE, PRESSURE SENSING | TUBE, PRESSURE SENSING | |
| 013 | CM4993632 | | | SUPPORT, EXH GAS RCN MDL | SUPPORT, EXH GAS RCN MDL | |
| 014 | CM5254314 | | | COOLER, EXH GAS RCN | COOLER, EXH GAS RCN | |
| 015 | CM5255716 | | | SCREW, CAPTIVE WASHER CAP | SCREW, CAPTIVE WASHER CAP | |
| 016 | CM5266422 | | | GASKET, EXHAUST MANIFOLD | GASKET, EXHAUST MANIFOLD | |
| 017 | CM5271307 | | | VALVE, EXH GAS RCN | VALVE, EXH GAS RCN | |
| Exhaust Manifold | | | | Engine | | 0123 |

0123**Engine****Exhaust Manifold**

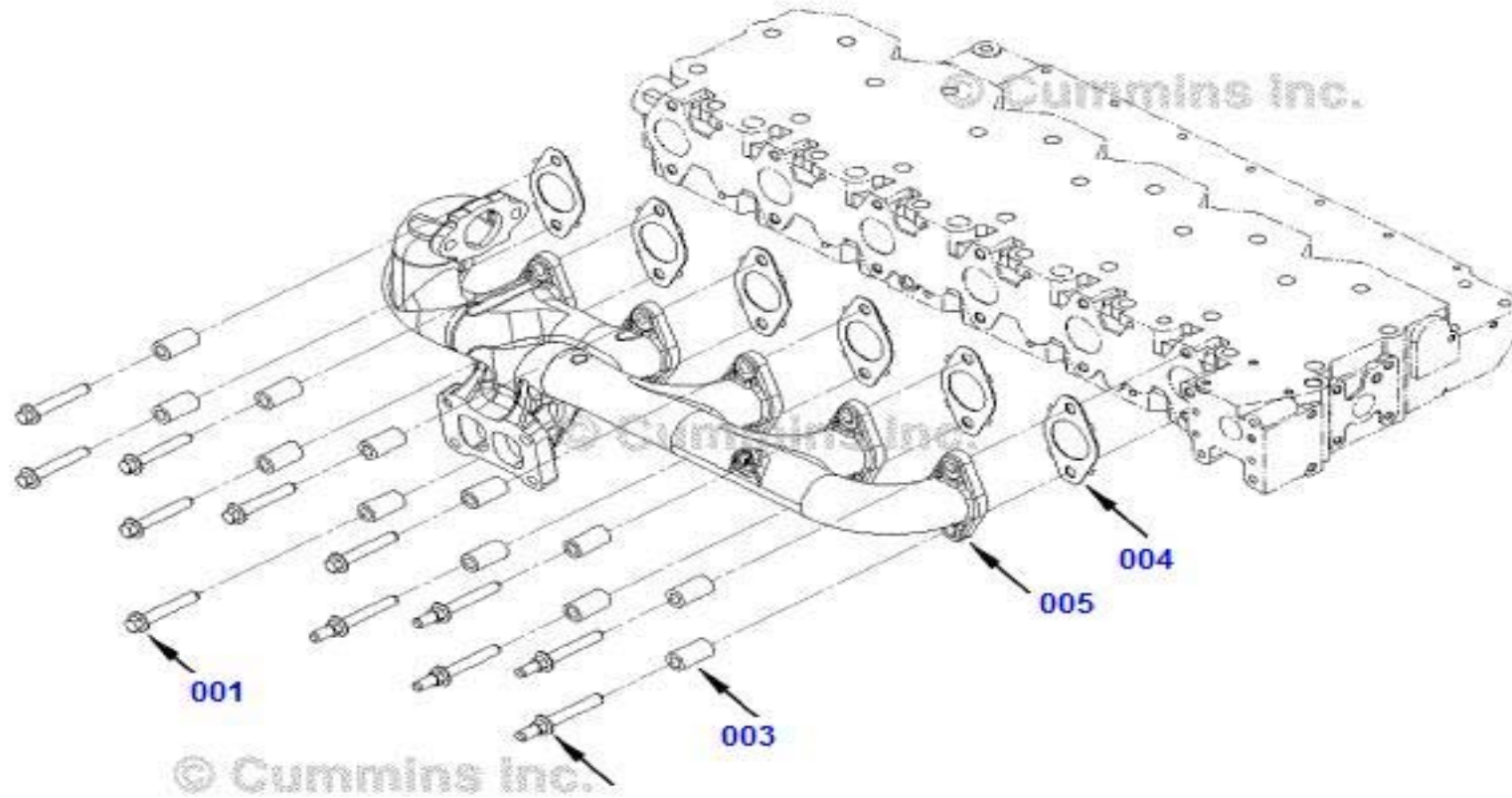
Picture No: ER911GX-00

| POZ | Part No | N.S.N | Code | Part Name (Türkçe) | Part Name (English) | Quantity |
|-------------------------|-----------|-------|------|----------------------------|----------------------------|-------------|
| | | | | <i>Exhaust Manifold</i> | | |
| 000 | CM5287891 | | | TUBE, AIR TRANSFER | TUBE, AIR TRANSFER | |
| 000 | CM5295158 | | | TUBE, AIR TRANSFER | TUBE, AIR TRANSFER | |
| 001 | CM2872858 | | | SENSOR, TEMPERATURE | SENSOR, TEMPERATURE | |
| 002 | CM3104485 | | | CLAMP, SPRING HOSE | CLAMP, SPRING HOSE | |
| 003 | CM3900627 | | | SCREW, HEX FLANGE HEAD CAP | SCREW, HEX FLANGE HEAD CAP | |
| 004 | CM3900630 | | | SCREW, HEX FLANGE HEAD CAP | SCREW, HEX FLANGE HEAD CAP | |
| 005 | CM3900631 | | | SCREW, HEX FLANGE HEAD CAP | SCREW, HEX FLANGE HEAD CAP | |
| 006 | CM4932615 | | | GASKET, CONNECTION | GASKET, CONNECTION | |
| 007 | CM5270057 | | | HOSE, PLAIN | HOSE, PLAIN | |
| 008 | CM5295153 | | | BRACE, TUBE | BRACE, TUBE | |
| 009 | CM5287892 | | | INSULATION, TUBE | INSULATION, TUBE | |
| 010 | CM5287893 | | | TUBE, AIR TRANSFER | TUBE, AIR TRANSFER | |
| 011 | CM5287902 | | | INSULATION, TUBE | INSULATION, TUBE | |
| 012 | CM5295159 | | | TUBE, AIR TRANSFER | TUBE, AIR TRANSFER | |
| 013 | CM4990321 | | | CLAMP, TUBE | CLAMP, TUBE | |
| Exhaust Manifold | | | | Engine | | 0123 |

0123

Engine

Exhaust Manifold



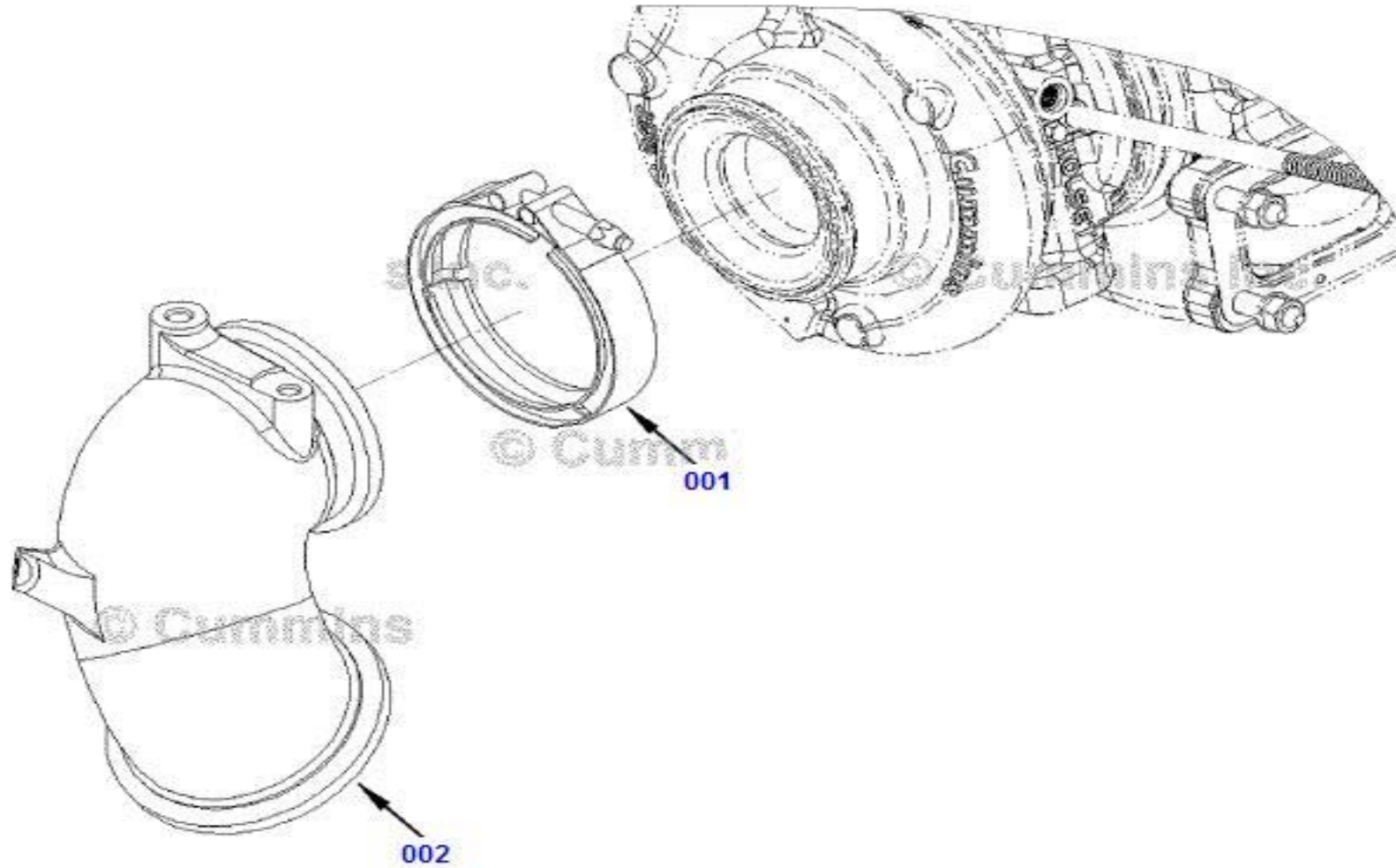
Picture No: TB984GJ-00

| POZ | Part No | N.S.N | Code | Part Name (Türkçe) | Part Name (English) | Quantity |
|------------------|-----------|-------|------|----------------------------|----------------------------|----------|
| | | | | <i>Exhaust Manifold</i> | | |
| 001 | CM3944593 | | | SCREW, HEX FLANGE HEAD CAP | SCREW, HEX FLANGE HEAD CAP | |
| 003 | CM3945252 | | | SPACER, MOUNTING | SPACER, MOUNTING | |
| 004 | CM5266422 | | | GASKET, EXHAUST MANIFOLD | GASKET, EXHAUST MANIFOLD | |
| 005 | CM5293077 | | | MANIFOLD, EXHAUST | MANIFOLD, EXHAUST | |
| Exhaust Manifold | | | | Engine | | 0123 |

0123

Engine

Exhaust Manifold



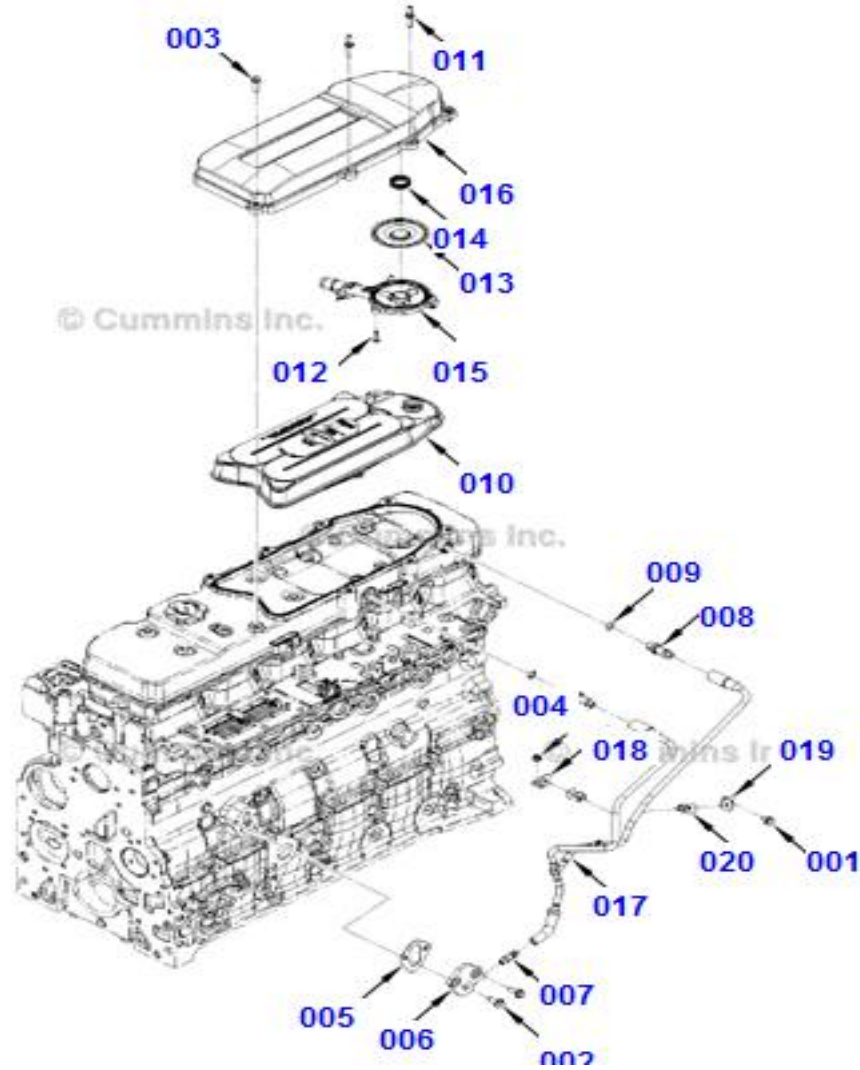
Picture No: XS961GJ-00

| POZ | Part No | N.S.N | Code | Part Name (Türkçe) | Part Name (English) | Quantity |
|------------------|-----------|-------|------|----------------------------|----------------------------|----------|
| | | | | <i>Exhaust Manifold</i> | | |
| 001 | CM102408 | | | CLAMP, V BAND | CLAMP, V BAND | |
| 002 | CM5295271 | | | CONNECTION, EXHAUST OUTLET | CONNECTION, EXHAUST OUTLET | |
| Exhaust Manifold | | | | Engine | | 0123 |

0124

Engine

Ventilation System



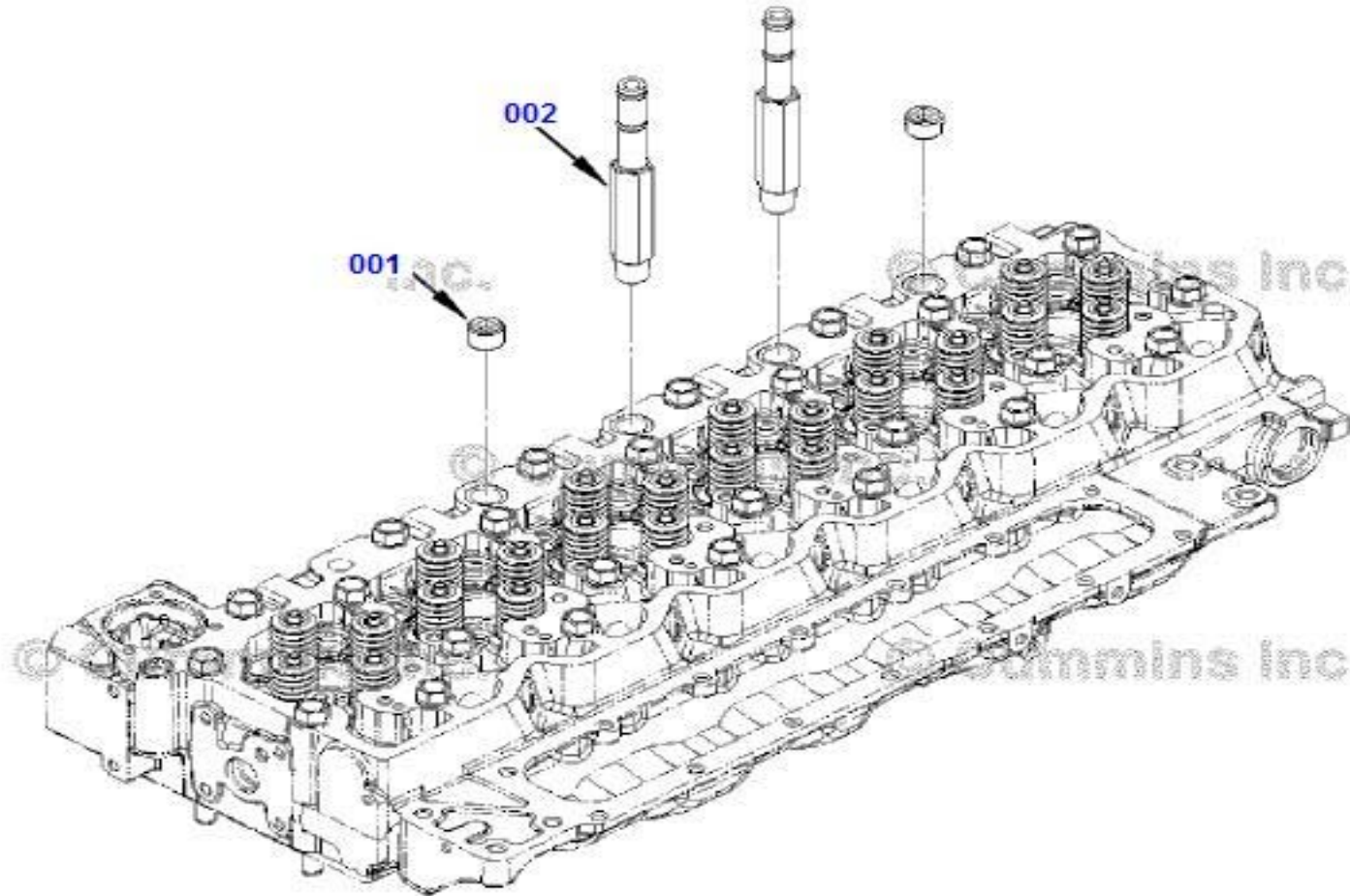
Picture No: BR963GF-00

| POZ | Part No | N.S.N | Code | Part Name (Türkçe) | Part Name (English) | Quantity |
|---------------------------|-----------|-------|------|----------------------------|----------------------------|-------------|
| | | | | <i>Ventilation System</i> | | |
| 000 | CM5284307 | | | COVER, BREATHER | COVER, BREATHER | |
| 001 | CM3093956 | | | SCREW, HEX FLANGE HEAD CAP | SCREW, HEX FLANGE HEAD CAP | |
| 002 | CM3900630 | | | SCREW, HEX FLANGE HEAD CAP | SCREW, HEX FLANGE HEAD CAP | |
| 003 | CM3902023 | | | SCREW, HEX FLANGE HEAD CAP | SCREW, HEX FLANGE HEAD CAP | |
| 004 | CM3906216 | | | NUT, HEXAGON FLANGE | NUT, HEXAGON FLANGE | |
| 005 | CM3939258 | | | GASKET, COVER PLATE | GASKET, COVER PLATE | |
| 006 | CM4931725 | | | COVER, ACCESS HOLE | COVER, ACCESS HOLE | |
| 007 | CM4932701 | | | COUPLING, PLAIN HOSE | COUPLING, PLAIN HOSE | |
| 008 | CM4934496 | | | COUPLING, PLAIN HOSE | COUPLING, PLAIN HOSE | |
| 009 | CM4936171 | | | SEAL, O RING | SEAL, O RING | |
| 010 | CM4936636 | | | ELEMENT, BREATHER | ELEMENT, BREATHER | |
| 011 | CM4938699 | | | SCREW, STUDED FLANGE CAP | SCREW, STUDED FLANGE CAP | |
| 012 | CM3975948 | | | SCREW, PAN HEAD CAP | SCREW, PAN HEAD CAP | |
| 013 | CM4931260 | | | DIAPHRAGM | DIAPHRAGM | |
| 014 | CM4931261 | | | SPRING, COMPRESSION | SPRING, COMPRESSION | |
| 015 | CM4940281 | | | HOUSING, BREATHER | HOUSING, BREATHER | |
| 016 | CM5284304 | | | COVER, BREATHER | COVER, BREATHER | |
| 017 | CM5292368 | | | TUBE, LUB OIL DRAIN | TUBE, LUB OIL DRAIN | |
| 018 | CM5292373 | | | BRACKET, OIL TUBE | BRACKET, OIL TUBE | |
| 019 | CM5292374 | | | BRACKET, OIL TUBE | BRACKET, OIL TUBE | |
| 020 | CM5292375 | | | CLIP | CLIP | |
| Ventilation System | | | | Engine | | 0124 |

0124

Engine

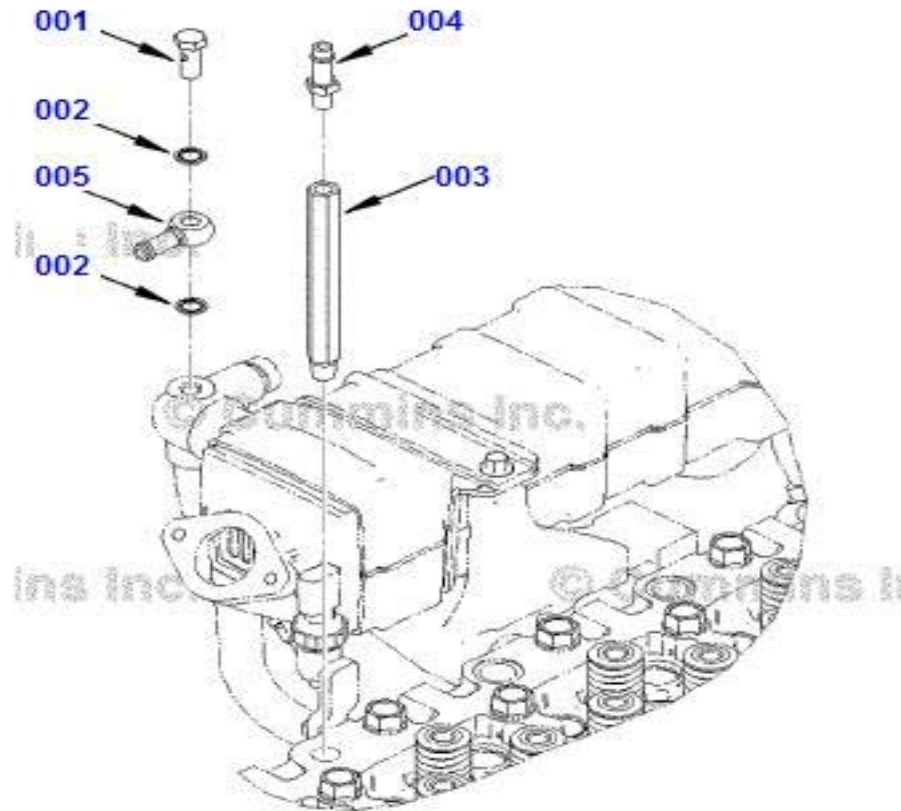
Ventilation System



h

Picture No: HC903GS-00

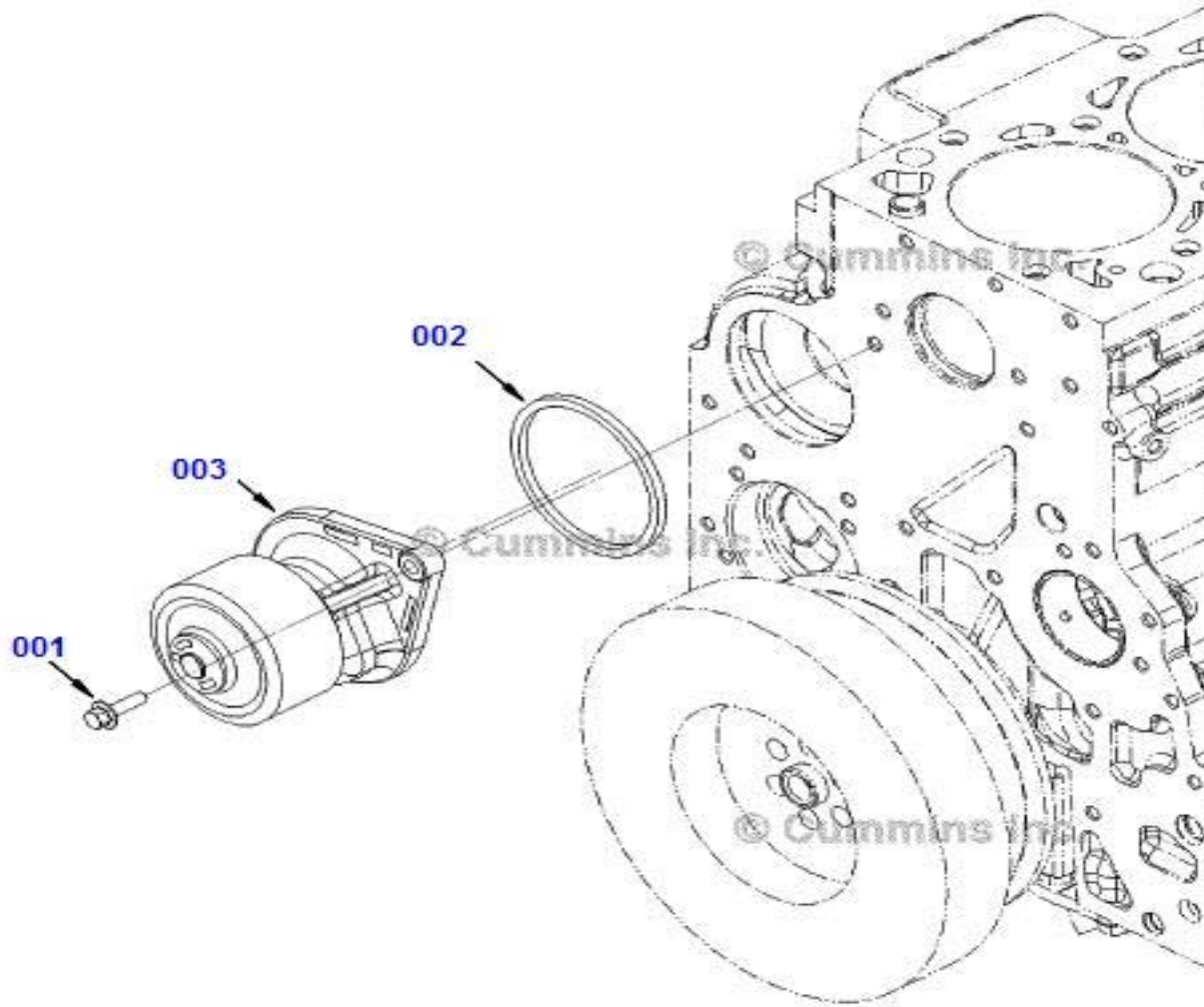
| POZ | Part No | N.S.N | Code | Part Name (Türkçe) | Part Name (English) | Quantity |
|---------------------------|-----------|-------|------|---------------------------|----------------------|-------------|
| | | | | <i>Ventilation System</i> | | |
| 001 | CM4931643 | | | PLUG, PIPE | PLUG, PIPE | |
| 002 | CM5301456 | | | COUPLING, PLAIN HOSE | COUPLING, PLAIN HOSE | |
| Ventilation System | | | | Engine | | 0124 |

0124**Engine****Ventilation System**

Picture No: RP953GQ-00



| POZ | Part No | N.S.N | Code | Part Name (Türkçe) | Part Name (English) | Quantity |
|---------------------------|-----------|-------|------|---------------------------|------------------------|-------------|
| | | | | <i>Ventilation System</i> | | |
| 001 | CM3957942 | | | SCREW, BANJO CONNECTOR | SCREW, BANJO CONNECTOR | |
| 002 | CM4934278 | | | WASHER, SEALING | WASHER, SEALING | |
| 003 | CM4992220 | | | ADAPTER, REDUCING PIPE | ADAPTER, REDUCING PIPE | |
| 004 | CM5298148 | | | COUPLING, PLAIN HOSE | COUPLING, PLAIN HOSE | |
| 005 | CM5298149 | | | CONNECTOR, BANJO | CONNECTOR, BANJO | |
| Ventilation System | | | | Engine | | 0124 |

0125**Engine****Water Pump**

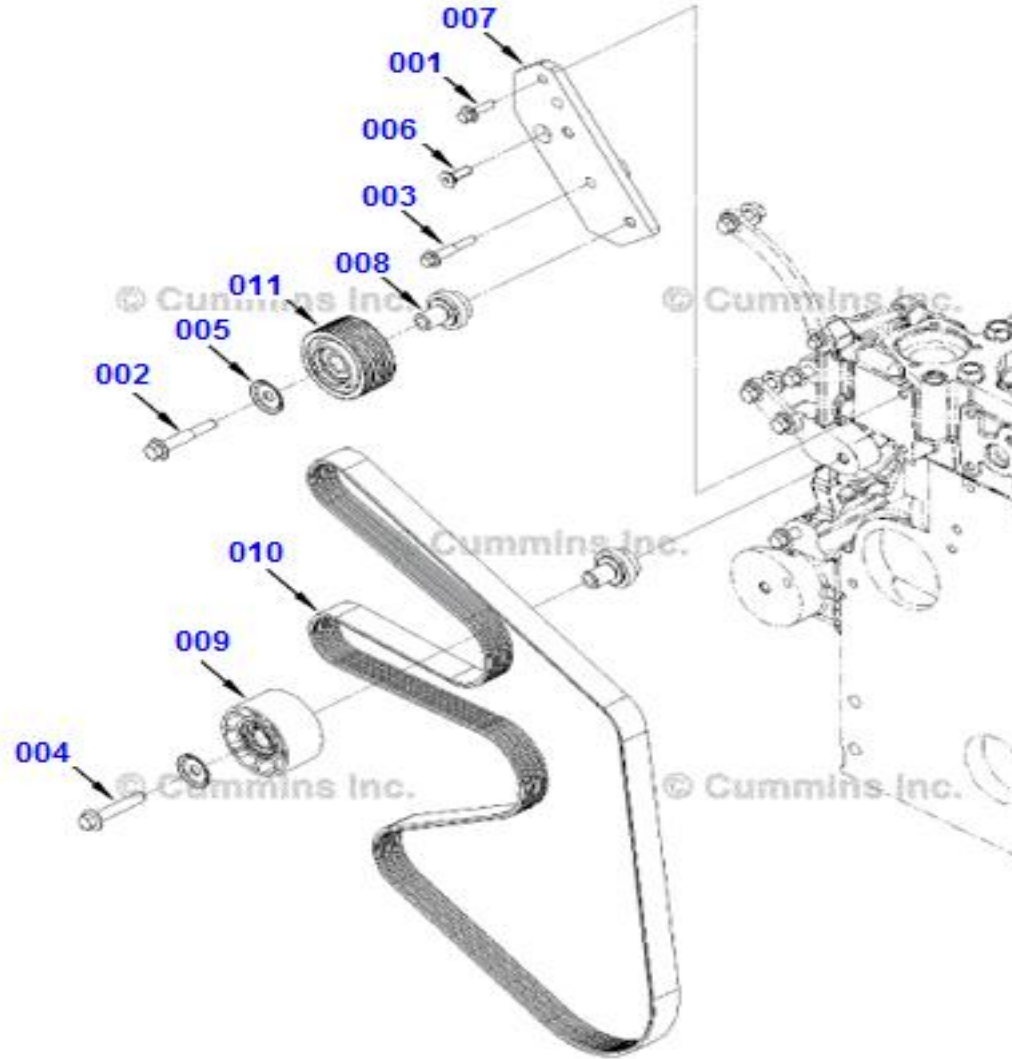
Picture No: WP952GA-00

| POZ | Part No | N.S.N | Code | Part Name (Türkçe) | Part Name (English) | Quantity |
|-------------------|-----------|-------|------|----------------------------|----------------------------|-------------|
| | | | | <i>Water Pump</i> | | |
| 000 | CM4309448 | | | KIT, WATER PUMP | KIT, WATER PUMP | |
| 001 | CM3093730 | | | SCREW, HEX FLANGE HEAD CAP | SCREW, HEX FLANGE HEAD CAP | |
| 002 | CM3906698 | | | SEAL, RECTANGULAR RING | SEAL, RECTANGULAR RING | |
| 003 | CM5301688 | | | PUMP, WATER | PUMP, WATER | |
| Water Pump | | | | Engine | | 0125 |

0125

Engine

Water Pump



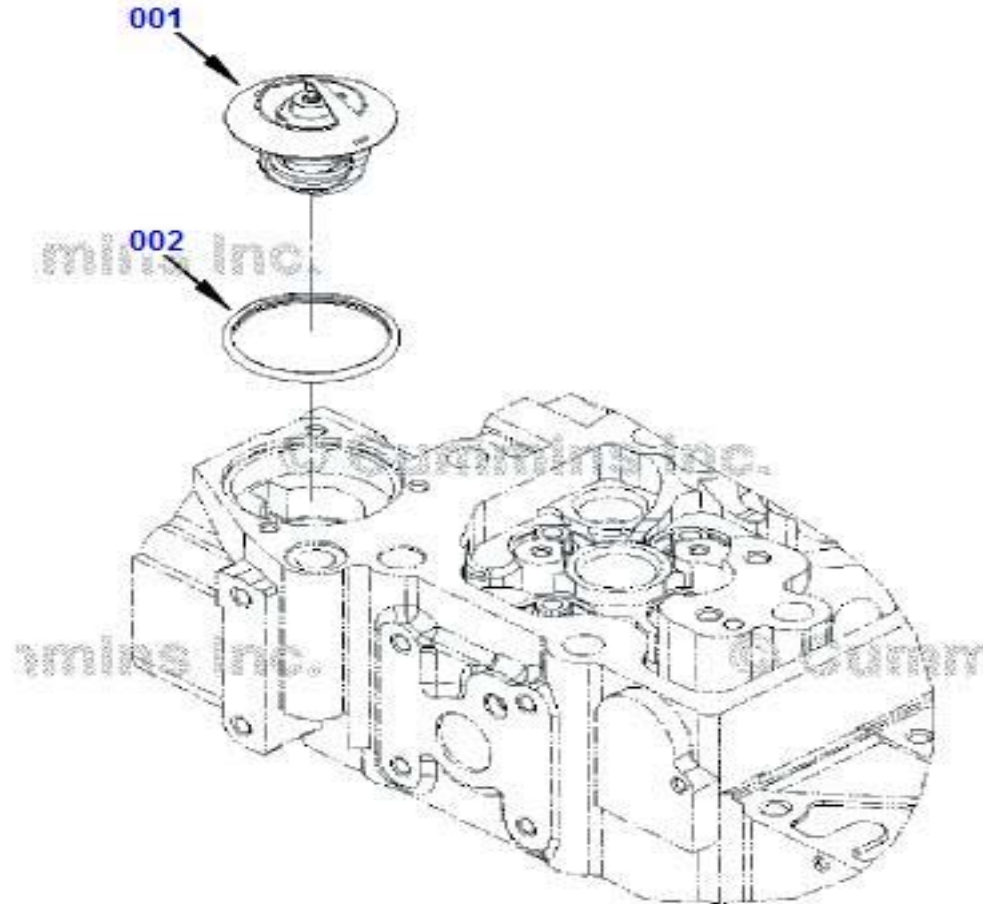
Picture No: WP957GN-00

| POZ | Part No | N.S.N | Code | Part Name (Türkçe) | Part Name (English) | Quantity |
|-----|-----------|-------|------|----------------------------|----------------------------|----------|
| | | | | <i>Water Pump</i> | | |
| 001 | CM3900631 | | | SCREW, HEX FLANGE HEAD CAP | SCREW, HEX FLANGE HEAD CAP | |
| 002 | CM3900635 | | | SCREW, HEX FLANGE HEAD CAP | SCREW, HEX FLANGE HEAD CAP | |
| 003 | CM3901445 | | | SCREW, HEX FLANGE HEAD CAP | SCREW, HEX FLANGE HEAD CAP | |
| 004 | CM3910901 | | | SCREW, HEX FLANGE HEAD CAP | SCREW, HEX FLANGE HEAD CAP | |
| 005 | CM3921533 | | | SHIELD, DUST | SHIELD, DUST | |
| 006 | CM3925186 | | | SCREW, FLAT HEAD CAP | SCREW, FLAT HEAD CAP | |
| 007 | CM3926056 | | | BRACKET, BELT TENSIONER | BRACKET, BELT TENSIONER | |
| 008 | CM3935229 | | | SHAFT, IDLER | SHAFT, IDLER | |
| 009 | CM3978324 | | | PULLEY, IDLER | PULLEY, IDLER | |
| 010 | CM4941303 | | | BELT, V RIBBED | BELT, V RIBBED | |
| 011 | CM4991240 | | | PULLEY, IDLER | PULLEY, IDLER | |

Water Pump

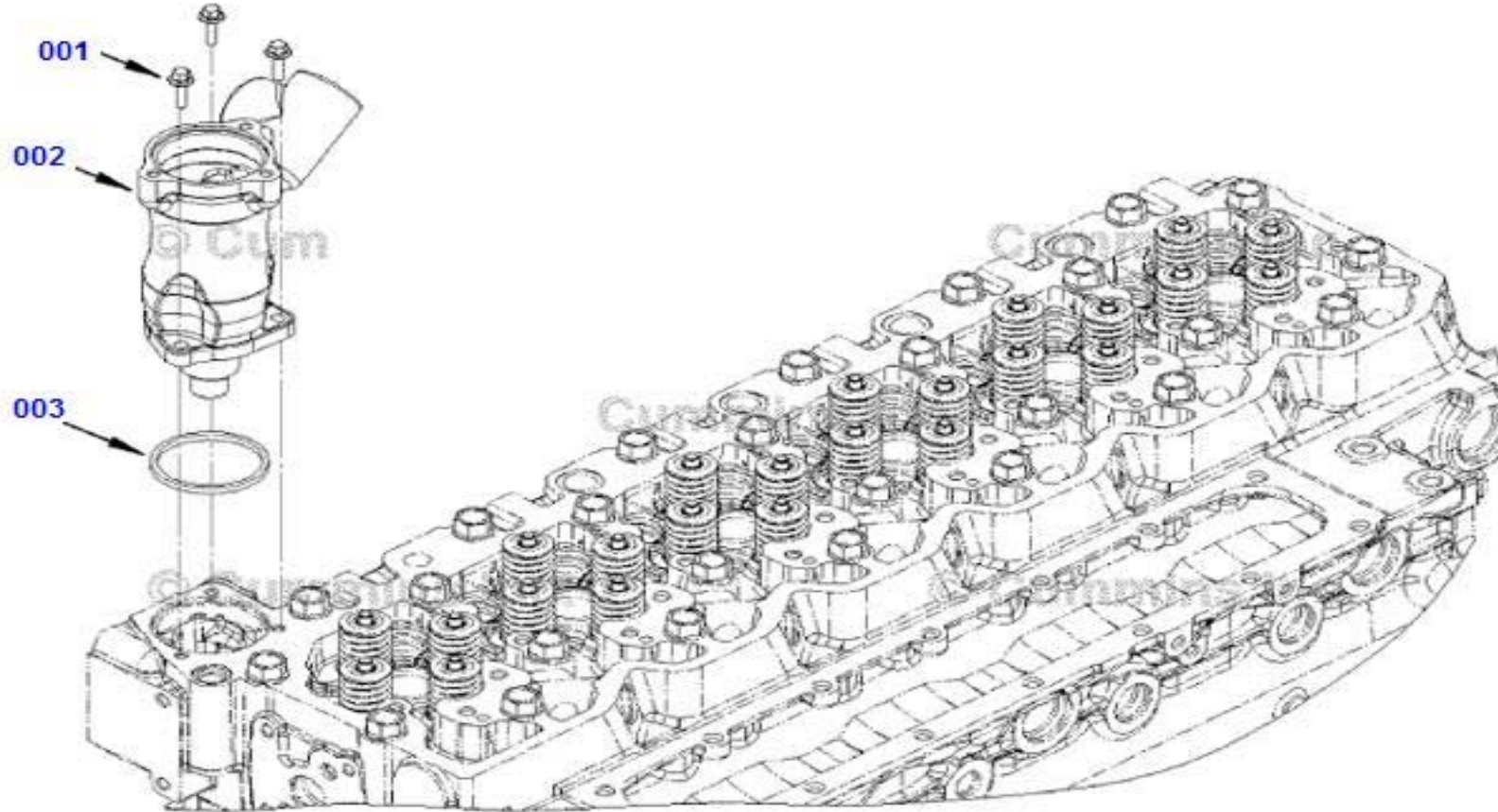
Engine

0125

0126**Engine****Thermostat & Housing**

Picture No: EC900ZF-00

| POZ | Part No | N.S.N | Code | Part Name (Türkçe) | Part Name (English) | Quantity |
|----------------------|-----------|-------|------|---------------------------------|---------------------|----------|
| | | | | <i>Thermostat & Housing</i> | | |
| 000 | CM5292708 | | | THERMOSTAT | THERMOSTAT | |
| 001 | CM5292707 | | | THERMOSTAT | THERMOSTAT | |
| 002 | CM3954829 | | | SEAL, THERMOSTAT | SEAL, THERMOSTAT | |
| Thermostat & Housing | | | | Engine | | 0126 |

0126**Engine****Thermostat & Housing**

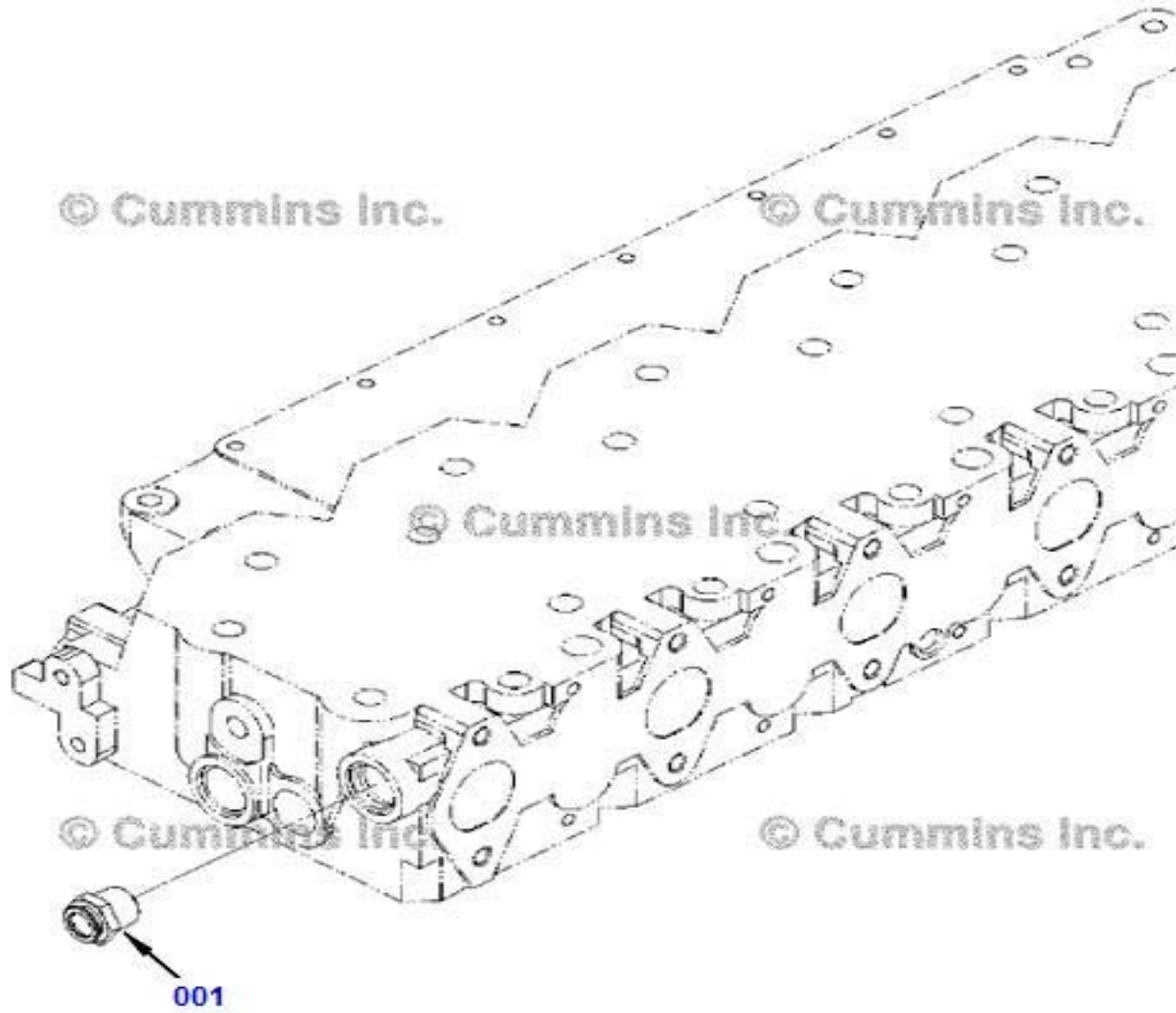
Picture No: TH900ZA-00

| POZ | Part No | N.S.N | Code | Part Name (Türkçe) | Part Name (English) | Quantity |
|----------------------|-----------|-------|------|---------------------------------|----------------------------|----------|
| | | | | <i>Thermostat & Housing</i> | | |
| 001 | CM3901865 | | | SCREW, HEX FLANGE HEAD CAP | SCREW, HEX FLANGE HEAD CAP | |
| 002 | CM4989489 | | | HOUSING, THERMOSTAT | HOUSING, THERMOSTAT | |
| 003 | CM3963824 | | | SEAL, RECTANGULAR RING | SEAL, RECTANGULAR RING | |
| Thermostat & Housing | | | | Engine | | 0126 |

0127

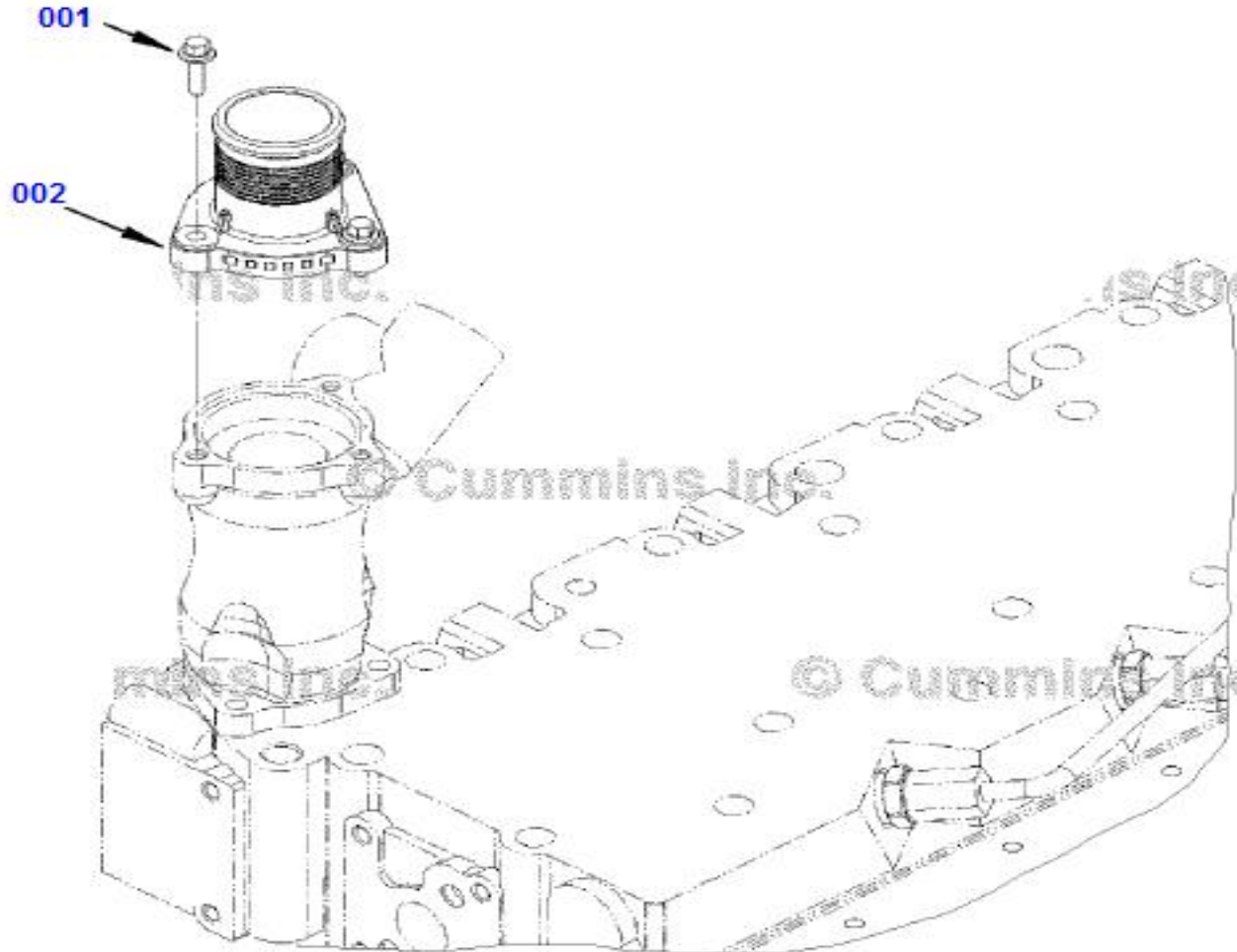
Engine

Water Piping



Picture No: HE900GR-00

| POZ | Part No | N.S.N | Code | Part Name (Türkçe) | Part Name (English) | Quantity |
|---------------------|-----------|-------|------|--|---------------------------|-------------|
| 001 | CM5291155 | | | <i>Water Piping</i> CONNECTOR, QCK DISCONNECT | CONNECTOR, QCK DISCONNECT | |
| Water Piping | | | | Engine | | 0127 |

0127**Engine****Water Piping**

Picture No: WO951GO-00

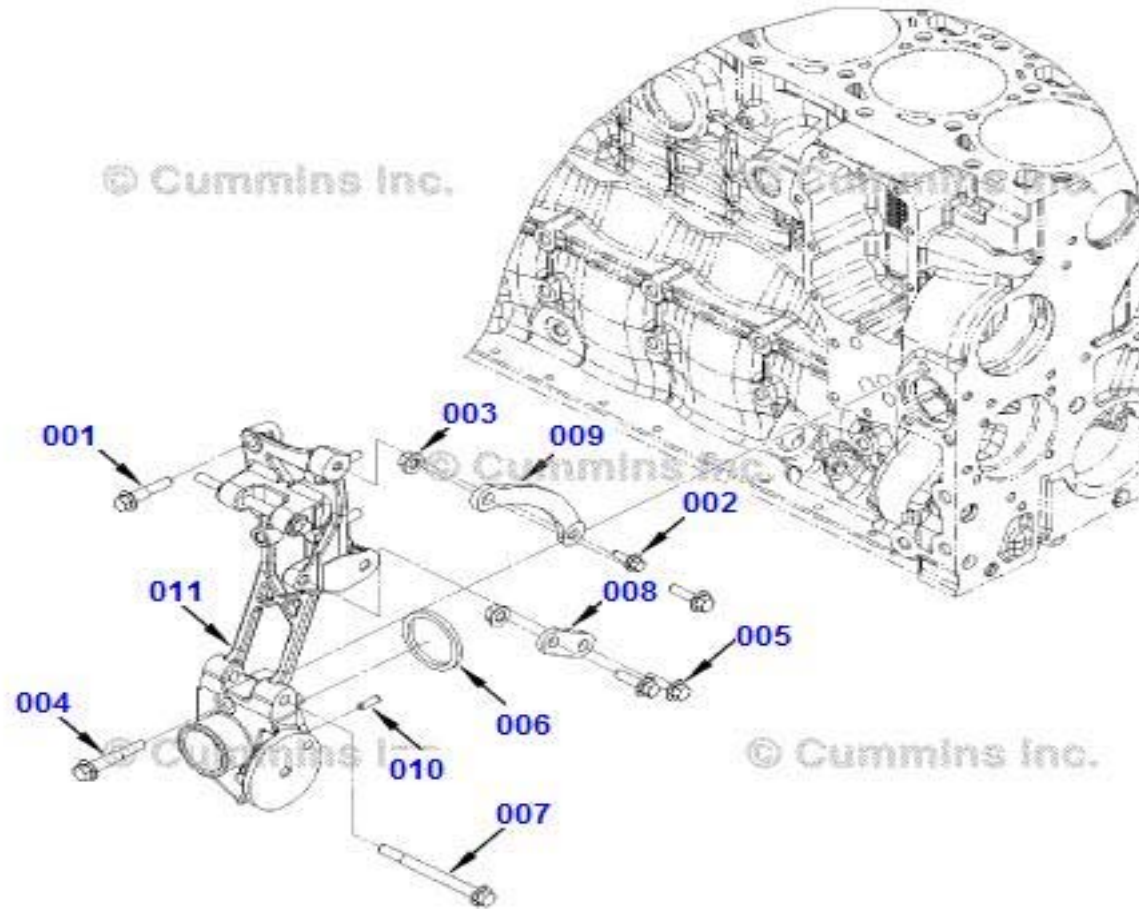


| POZ | Part No | N.S.N | Code | Part Name (Türkçe) | Part Name (English) | Quantity |
|--------------|-----------|-------|------|----------------------------|----------------------------|----------|
| | | | | <i>Water Piping</i> | | |
| 001 | CM3901865 | | | SCREW, HEX FLANGE HEAD CAP | SCREW, HEX FLANGE HEAD CAP | |
| 002 | CM5261014 | | | CONNECTION, WATER OUTLET | CONNECTION, WATER OUTLET | |
| Water Piping | | | | Engine | | 0127 |

0128

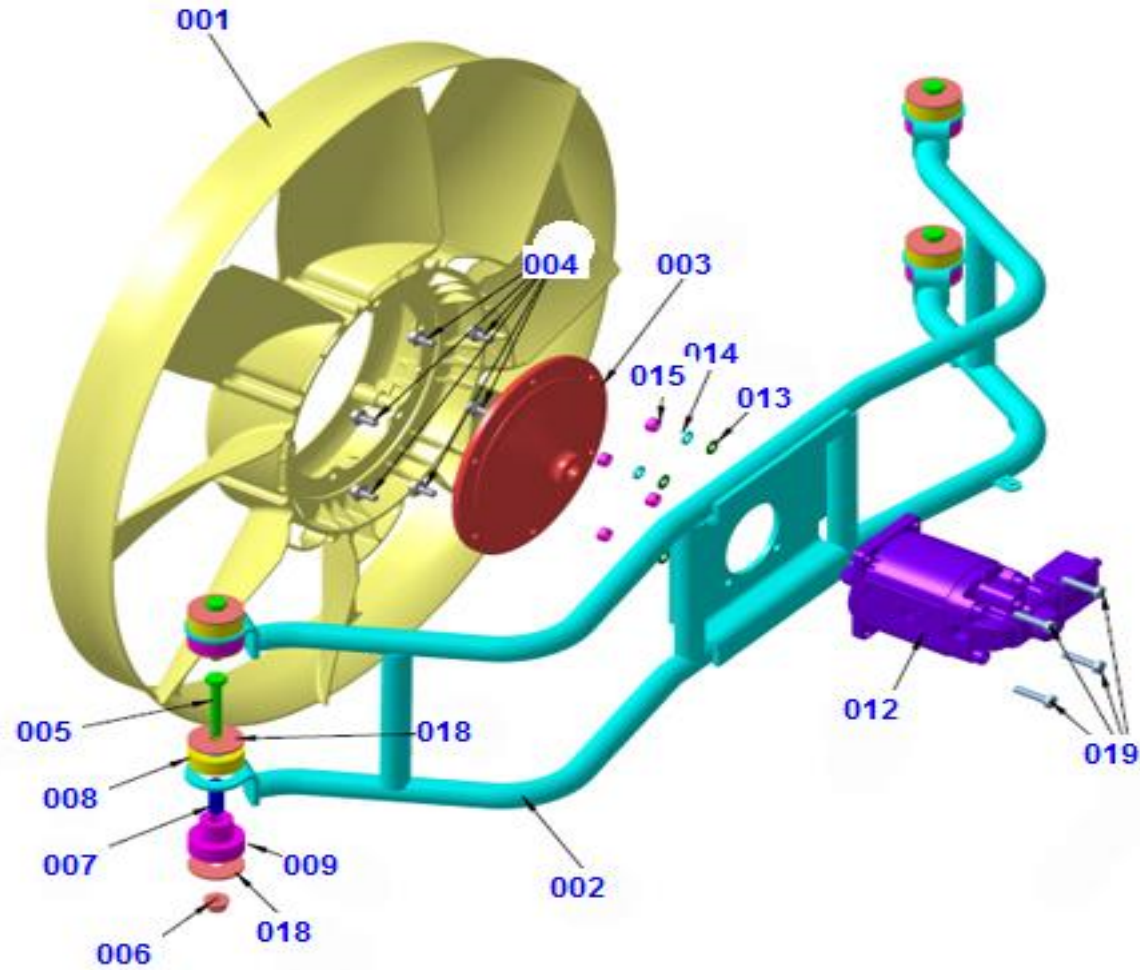
Engine

Fan & Fan Belt



Picture No: EH973GX-00

| POZ | Part No | N.S.N | Code | Part Name (Türkçe) | Part Name (English) | Quantity |
|---------------------------|-----------|-------|------|----------------------------|----------------------------|-------------|
| | | | | <i>Fan & Fan Belt</i> | | |
| 000 | CM5289607 | | | SUPPORT, ALTERNATOR | SUPPORT, ALTERNATOR | |
| 001 | CM3089232 | | | SCREW, HEX FLANGE HEAD CAP | SCREW, HEX FLANGE HEAD CAP | |
| 002 | CM3093775 | | | SCREW, HEX FLANGE HEAD CAP | SCREW, HEX FLANGE HEAD CAP | |
| 003 | CM3093828 | | | NUT, HEXAGON FLANGE | NUT, HEXAGON FLANGE | |
| 004 | CM3900635 | | | SCREW, HEX FLANGE HEAD CAP | SCREW, HEX FLANGE HEAD CAP | |
| 005 | CM3903112 | | | SCREW, HEX FLANGE HEAD CAP | SCREW, HEX FLANGE HEAD CAP | |
| 006 | CM3906697 | | | SEAL, O RING | SEAL, O RING | |
| 007 | CM3922863 | | | SCREW, HEX FLANGE HEAD CAP | SCREW, HEX FLANGE HEAD CAP | |
| 008 | CM4932559 | | | BRACE, ALTERNATOR | BRACE, ALTERNATOR | |
| 009 | CM4980390 | | | BRACE, ALTERNATOR | BRACE, ALTERNATOR | |
| 010 | CM7067 | | | DOWEL, PIN | DOWEL, PIN | |
| 011 | CM5289605 | | | SUPPORT, ALTERNATOR | SUPPORT, ALTERNATOR | |
| Fan & Fan Belt | | | | Engine | | 0128 |

0128**Engine****Fan & Fan Belt**

Picture No: EPL340330100-00



| POZ | Part No | N.S.N | Code | Part Name (Türkçe) | Part Name (English) | Quantity |
|-----|--------------|-------|------|---|---|----------|
| | | | | <i>Fan & Fan Belt</i> | | |
| 001 | 387034784051 | | | FAN, RADYATOR | FAN, RADIATOR | 1 |
| 002 | 387042753101 | | | KARKAS, KOMPLE FAN | FRAME ASM. FAN | 1 |
| 003 | 387034972001 | | | ARA PARCA, FAN | HUB, FAN | 1 |
| 004 | 300130816601 | | | CIVATA, FLN M8X1. 25X16, KALIN D. DIN6921 | BOLT, FLN M8X1. 25X16, COARSE T. DIN6921 | 6 |
| 005 | 300031070601 | | | CIVATA, AKB M10X1. 5X70, KALIN D. DIN931 | BOLT, HEX M10X1. 5X70, COARSE T. DIN931 | 4 |
| 006 | 300580010601 | | | SOMUN, FLN&TR M10X1. 5, KALIN D. DIN 6923 | NUT, FLN&SRTD M10X1. 5, COARSE T. DIN 692 | 4 |
| 007 | 922151217001 | | | ARA PARCA, EGZOZ KUYRUK | SPACER, EXH TAIL | 4 |
| 008 | 894457278101 | | | ASKI KMP, EGZOZ SUSTURUCU | HANGER ASM. EXHAUST, SILENCER | 4 |
| 009 | 894457277101 | | | ASKI KMP, EGZOZ SUSTURUCU | HANGER ASM. EXHAUST, SILENCER | 4 |
| 012 | 387033479051 | | | MOTOR, HIDROLIK | ENGINE, HYDRAULIC | 1 |
| 013 | 301000008601 | | | RONDELA, DUZ D=8 DIN 125 | WASHER, PLAIN D= 8 DIN 125 | 8 |
| 014 | 301010008601 | | | RONDELA, YAYLI D=8 DIN 127 | WASHER, SPRING D= 8 DIN 127 | 4 |
| 015 | 300500008601 | | | SOMUN, AKB M8X1. 25, KALIN D. DIN934 | NUT, HEX M8X1. 25, COARSE T. DIN934 | 4 |
| 018 | 509503017001 | | | RONDELA | WASHER | 8 |
| 019 | 300010835601 | | | CIVATA, AKB M8X1. 25X40, KALIN D. DIN933 | BOLT, HEX M8X1. 25X35, COARSE T. DIN933 | 4 |

Fan & Fan Belt

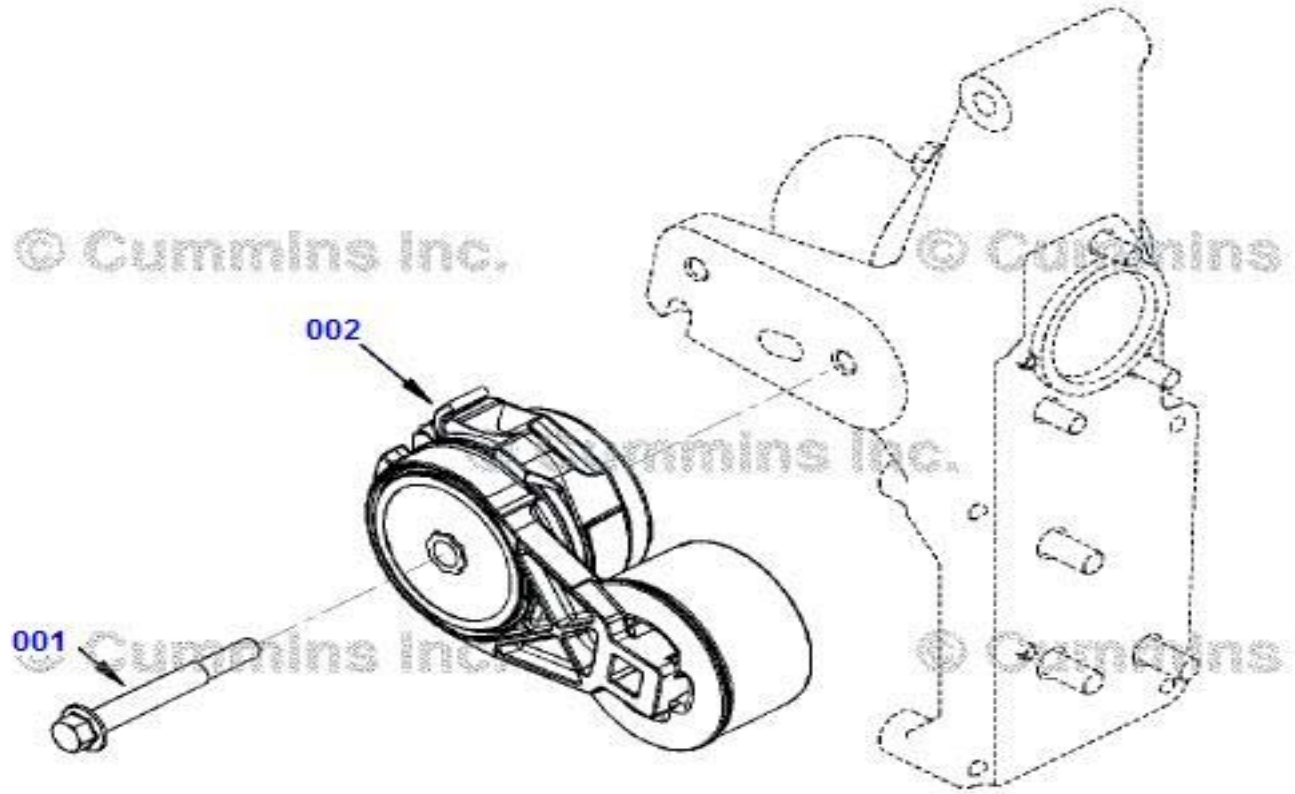
Engine

0128

0128

Engine

Fan & Fan Belt



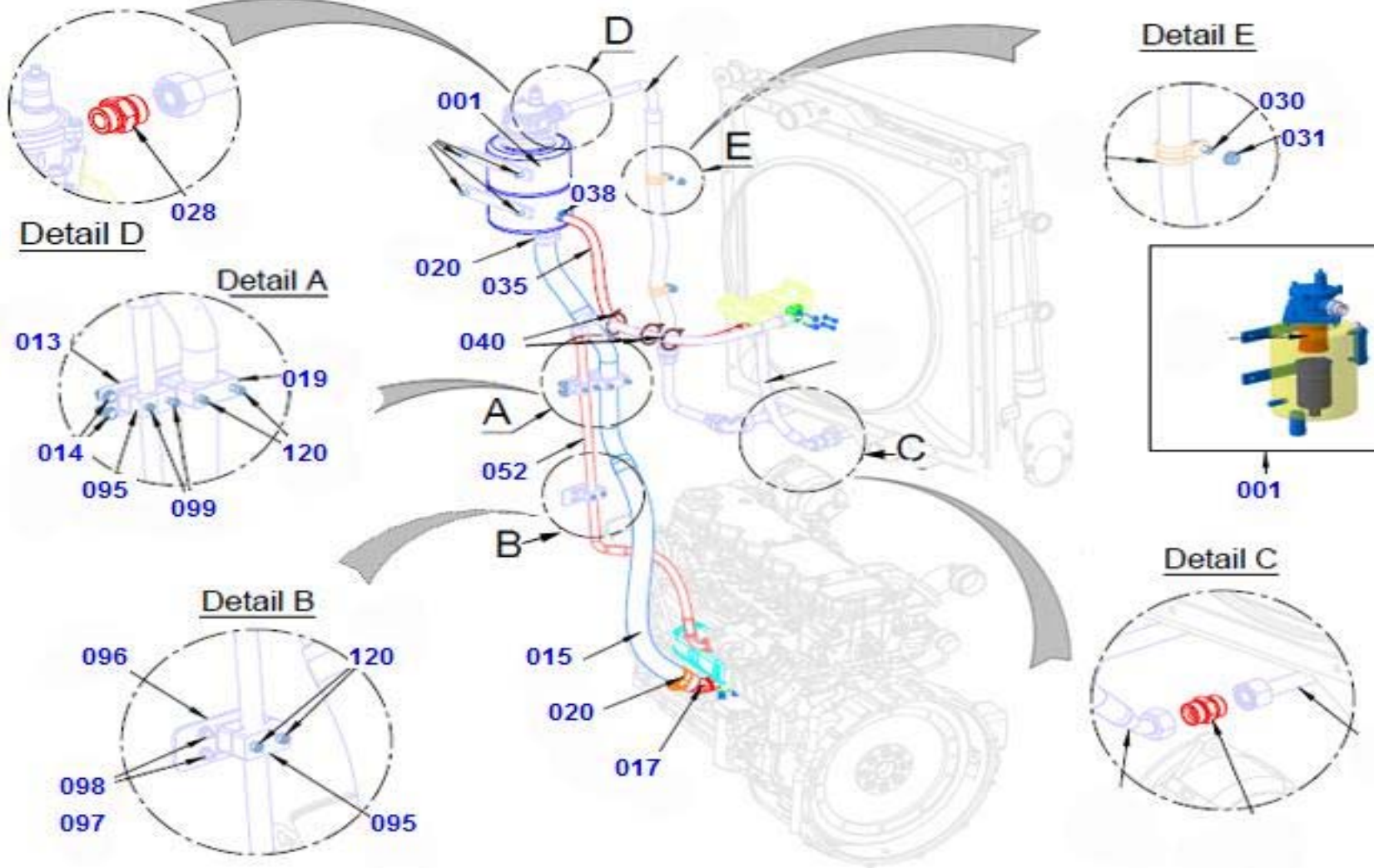
Picture No: WP900ZC-00

| POZ | Part No | N.S.N | Code | Part Name (Türkçe) | Part Name (English) | Quantity |
|----------------|-----------|-------|------|----------------------------|----------------------------|----------|
| | | | | <i>Fan & Fan Belt</i> | | |
| 001 | CM3900679 | | | SCREW, HEX FLANGE HEAD CAP | SCREW, HEX FLANGE HEAD CAP | |
| 002 | CM3976834 | | | TENSIONER, BELT | TENSIONER, BELT | |
| Fan & Fan Belt | | | | Engine | | 0128 |

0129

Engine

Hydraulic Actuating System



Picture No: EPL349690100-00



| POZ | Part No | N.S.N | Code | Part Name (Türkçe) | Part Name (English) | Quantity |
|-----|--------------|-------|------|---|--|----------|
| | | | | <i>Hydrolic Actuating System</i> | | |
| 001 | 387035275101 | | | DEPO KMPL, YAG, 8LT | TANK ASM. OIL 8LT | 1 |
| 013 | 387038606101 | | | BRACKET, HORTUM KMPL, BASINC HATTI | BRACKET, HOSE, PRESSURE LINE | 1 |
| 014 | 300120820601 | | | CIVATA, FLN M8X1. 25X20, KALIN D. DIN6921 | BOLT, FLN M8X1. 25X20, COARSE T. DIN6921 | 2 |
| 015 | 387035240101 | | | HORTUM KOMPLESI, POMPA EMIS | ROLL BAR | 1 |
| 017 | 387039465001 | | | RAKOR, 45 DERECE, HIDROLIK | HINGE ASSEMBLY | 1 |
| 019 | 387033532101 | | | KELEPCE, Ø42, POMPA GIRIS | HINGE ASSEMBLY | 1 |
| 020 | 387033753201 | | | KELEPCE, Ø47-51 | HINGE ASSEMBLY | 2 |
| 028 | 387038890001 | | | RAKOR, TANK | SHEET, RIGHT SIDE | 1 |
| 030 | 300120820601 | | | CIVATA, FLN M8X1. 25X20, KALIN D. DIN6921 | BOLT, FLN M8X1. 25X20, COARSE T. DIN6921 | 2 |
| 031 | 300620008601 | | | SOMUN, FLN M8X1. 25, KALIN D. DIN6923 | NUT, FLN M8X1. 25, COARSE T. DIN6923 | 2 |
| 035 | 387035335201 | | | HORTUM, KACAK HATTI | SHEET, RIGHT SIDE | 1 |
| 038 | 305351625801 | | | KELEPCE, VIDALI B9, Ø16-25, DIN3017 | CLAMP, W/BOLT B9, Ø16-25, DIN3017 | 1 |
| 040 | 377771438001 | | | KELEPCE, PLASTIK EB. 04. 204_3, 6*205mm | CLAMP, CABLE TIES | 3 |
| 052 | 387038603001 | | | HORTUM KMPL, BASINC HATTI, HIDROLIK | HOSE, PRESSURE LINE, HYDRAULIC | 1 |
| 095 | 387038609001 | | | KELEPCE, Ø21, BASINC HATTI | HINGE ASSEMBLY | 2 |
| 096 | 387036928001 | | | BRACKET, ASKI | BRACKET, HANGER | 1 |
| 097 | 300120620601 | | | CIVATA, FLN M6X1X20, KALIN D. DIN6921 | BOLT, FLN M6X1X20, COARSE T. DIN6921 | 2 |
| 098 | 300620006601 | | | SOMUN, FLN M6X1, KALIN D. DIN6923 | NUT, FLN M6X1, COARSE T. DIN6923 | 2 |
| 099 | 300090650601 | | | CIVATA, SLB M6X50, KALIN D. DIN912 | BOLT, SOCKET M6X50, COARSE T. DIN912 | 4 |
| 120 | 300090660601 | | | CIVATA, SLB M6X60, KALIN D. DIN912 | BOLT, SOCKET M6X60, COARSE T. DIN912 | 2 |

Hydrolic Actuating System

Engine

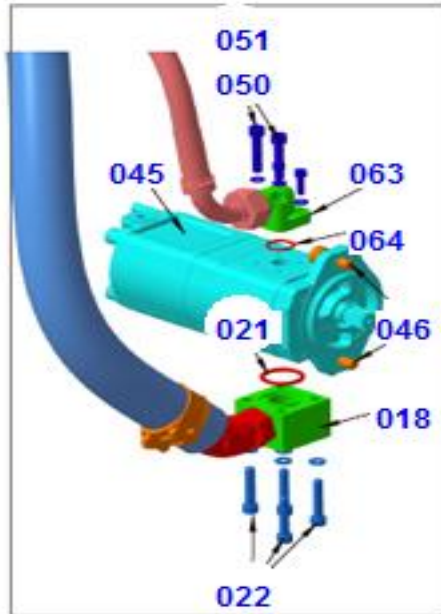
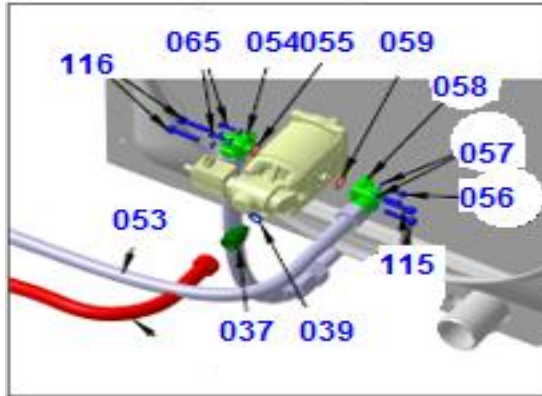
0129

0129

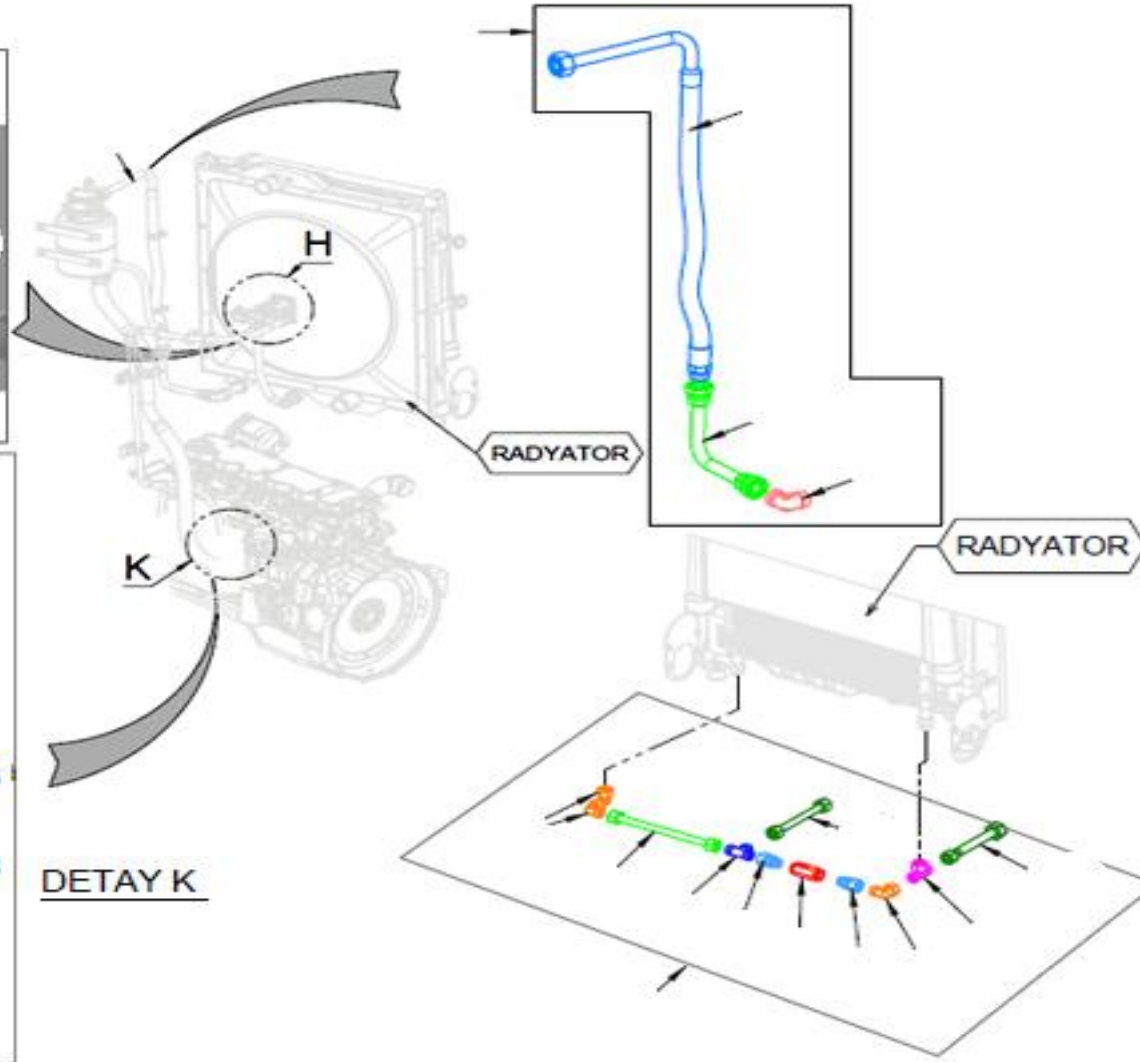
Engine

Hydraulic Actuating System

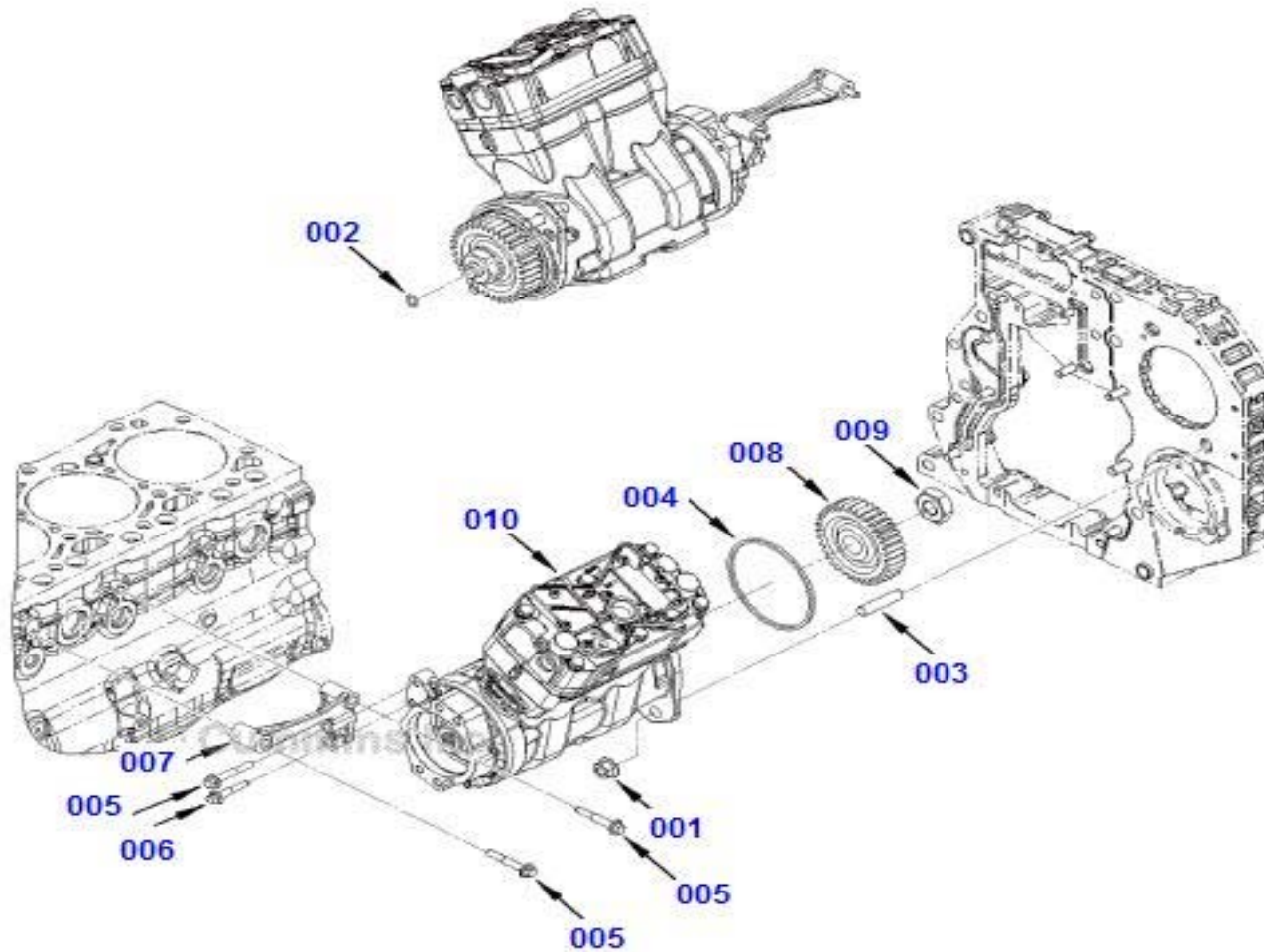
DETAY H



DETAY K



| POZ | Part No | N.S.N | Code | Part Name (Türkçe) | Part Name (English) | Quantity |
|----------------------------------|--------------|-------|------|---|---------------------------------------|-------------|
| | | | | <i>Hydrolic Actuating System</i> | | |
| 018 | 387039466101 | | | ADAPTOR, EMIS | HINGE ASSEMBLY | 1 |
| 021 | 387033754101 | | | O-RING, Ø29X4, HORTUM KMPL | HINGE ASSEMBLY | 1 |
| 022 | 300090840601 | | | CIVATA, SLB M8X40, KALIN D. DIN912 | BOLT, SOCKET M8X40, COARSE T. DIN912 | 4 |
| 037 | 387033495101 | | | RAKOR, KACAK HATTI, HIDROLIK | HINGE ASSEMBLY | 1 |
| 039 | 387033787101 | | | PUL, BAKIR, M14, HORTUM KMPL, KACAK HATT | HINGE ASSEMBLY | 1 |
| 045 | 387037500051 | | | YAG POMPASI, DIR. &FAN 22CC, CCW | PUMP, 22 CC, CCW HYDRALIC FAN DRIVE | 1 |
| 046 | 300091030601 | | | CIVATA, SLB M10X30, KALIN D. DIN912 | BOLT, SOCKET M10X30, COARSE T. DIN912 | 2 |
| 050 | 300090620601 | | | CIVATA, SLB M6X20, KALIN D. DIN912 | BOLT, SOCKET M6X20, COARSE T. DIN912 | 2 |
| 051 | 301010006301 | | | RONDELA, YAYLI D=6 DIN 127 | WASHER, SPRING D= 6 DIN 127 | 4 |
| 053 | 387035245001 | | | HORTUM, BASINC HATTI | SHEET, RIGHT SIDE | 1 |
| 054 | 387033504101 | | | DIRSEK, BASINC HATTI, HIDROLIK | HINGE ASSEMBLY | 1 |
| 055 | 387033755101 | | | O-RING, Ø19X2, 5, HORTUM KMPL, BASINC HATTI | HINGE ASSEMBLY | 1 |
| 056 | 300090620601 | | | CIVATA, SLB M6X20, KALIN D. DIN912 | BOLT, SOCKET M6X20, COARSE T. DIN912 | 2 |
| 057 | 301010006301 | | | RONDELA, YAYLI D=6 DIN 127 | WASHER, SPRING D= 6 DIN 127 | 4 |
| 058 | 387033504101 | | | DIRSEK, BASINC HATTI, HIDROLIK | HINGE ASSEMBLY | 1 |
| 059 | 387033755101 | | | O-RING, Ø19X2, 5, HORTUM KMPL, BASINC HATTI | HINGE ASSEMBLY | 1 |
| 063 | 387033504101 | | | DIRSEK, BASINC HATTI, HIDROLIK | HINGE ASSEMBLY | 1 |
| 064 | 387033755101 | | | O-RING, Ø19X2, 5, HORTUM KMPL, BASINC HATTI | HINGE ASSEMBLY | 1 |
| 065 | 300090620601 | | | CIVATA, SLB M6X20, KALIN D. DIN912 | BOLT, SOCKET M6X20, COARSE T. DIN912 | 2 |
| 115 | 300090640601 | | | CIVATA, SLB M6X40, KALIN D. DIN912 | BOLT, SOCKET M6X40, COARSE T. DIN912 | 2 |
| 116 | 300090640601 | | | CIVATA, SLB M6X40, KALIN D. DIN912 | BOLT, SOCKET M6X40, COARSE T. DIN912 | 2 |
| Hydrolic Actuating System | | | | Engine | | 0129 |

0130**Engine****Eng. Air Compr.**

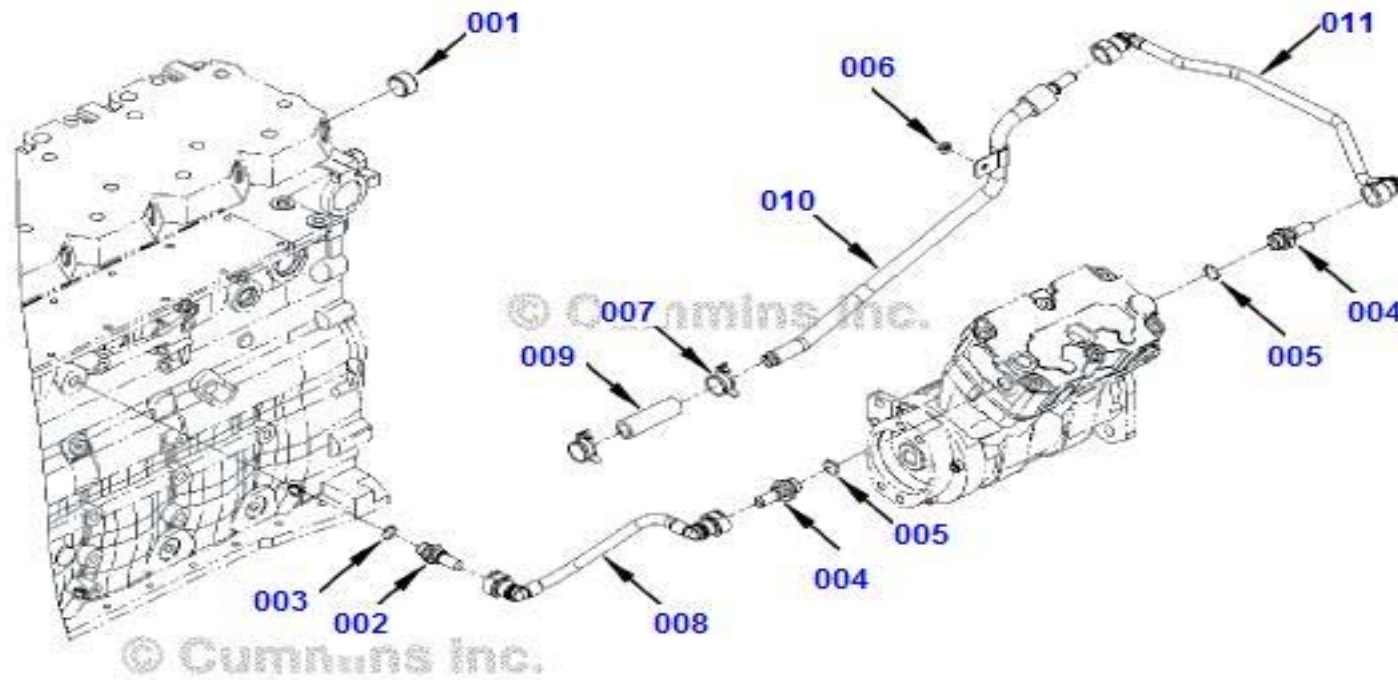
Picture No: CP965GF-00

| POZ | Part No | N.S.N | Code | Part Name (Türkçe) | Part Name (English) | Quantity |
|-----|-----------|-------|------|----------------------------|----------------------------|----------|
| | | | | <i>Eng. Air Compr.</i> | | |
| 001 | CM3279043 | | | NUT, HEXAGON FLANGE | NUT, HEXAGON FLANGE | |
| 002 | CM4994574 | | | SEAL, O RING | SEAL, O RING | |
| 003 | CM3905371 | | | STUD | STUD | |
| 004 | CM3906252 | | | SEAL, RECTANGULAR RING | SEAL, RECTANGULAR RING | |
| 005 | CM3925402 | | | SCREW, HEX FLANGE HEAD CAP | SCREW, HEX FLANGE HEAD CAP | |
| 006 | CM3928873 | | | SCREW, HEX FLANGE HEAD CAP | SCREW, HEX FLANGE HEAD CAP | |
| 007 | CM3977148 | | | BRACE, AIR COMPRESSOR | BRACE, AIR COMPRESSOR | |
| 008 | CM3971520 | | | GEAR, ACCESSORY DRIVE | GEAR, ACCESSORY DRIVE | |
| 009 | CM3287893 | | | NUT, REGULAR HEXAGON | NUT, REGULAR HEXAGON | |
| 010 | CM5291275 | | | COMPRESSOR, AIR | COMPRESSOR, AIR | |

Eng. Air Compr.

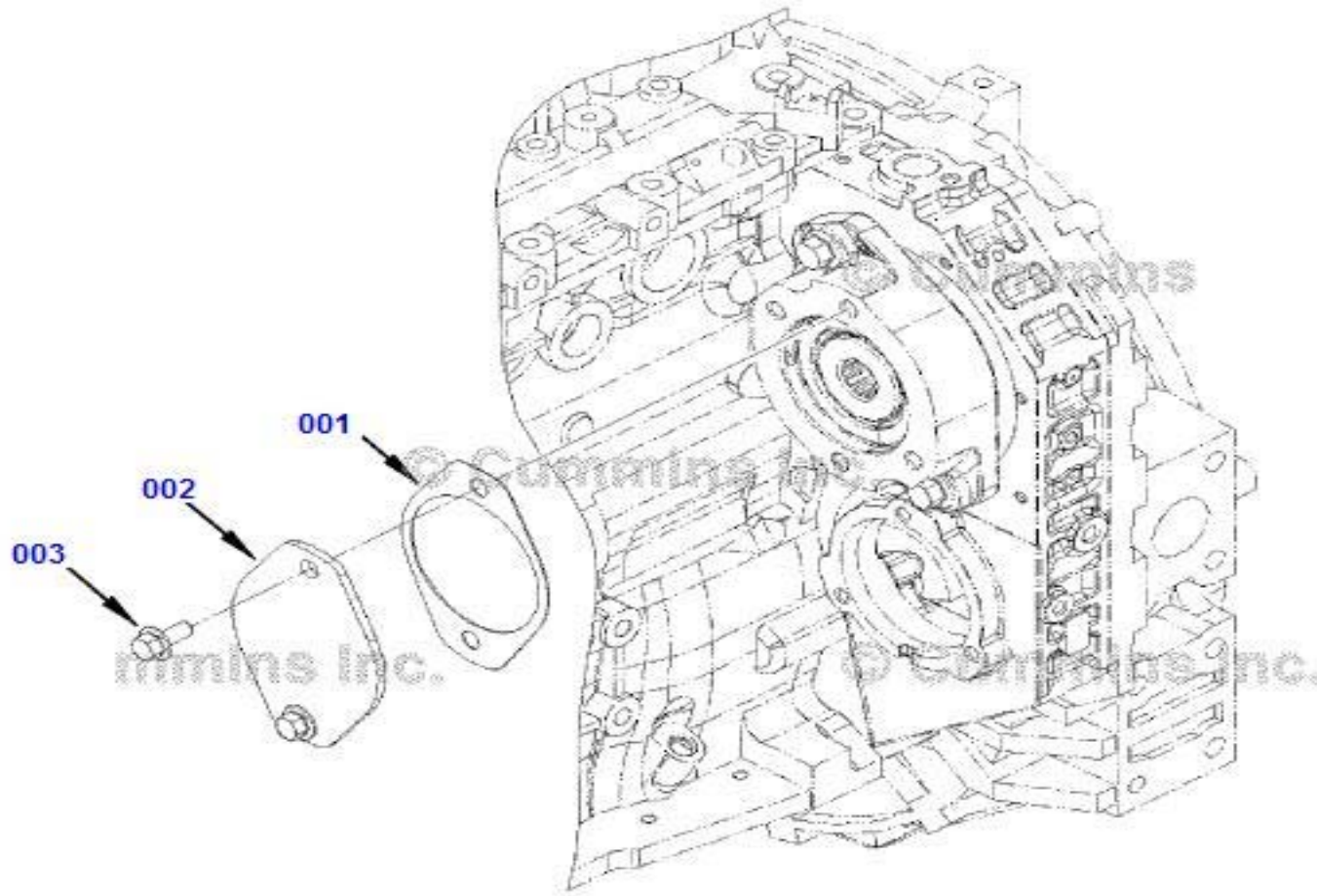
Engine

0130

0131**Engine****Eng. Air Compr.**

Picture No: CC963GD-00

| POZ | Part No | N.S.N | Code | Part Name (Türkçe) | Part Name (English) | Quantity |
|------------------------|-----------|-------|------|---------------------------|---------------------------|-------------|
| | | | | <i>Eng. Air Compr.</i> | | |
| 000 | CM5303470 | | | CONNECTOR, QCK DISCONNECT | CONNECTOR, QCK DISCONNECT | |
| 000 | CM3287274 | | | CONNECTOR, QCK DISCONNECT | CONNECTOR, QCK DISCONNECT | |
| 001 | CM3008469 | | | PLUG, PIPE | PLUG, PIPE | |
| 002 | CM5297858 | | | CONNECTOR, QCK DISCONNECT | CONNECTOR, QCK DISCONNECT | |
| 003 | CM3679139 | | | SEAL, O RING | SEAL, O RING | |
| 004 | CM3287270 | | | CONNECTOR, QCK DISCONNECT | CONNECTOR, QCK DISCONNECT | |
| 005 | CM3678786 | | | SEAL, O RING | SEAL, O RING | |
| 006 | CM3906216 | | | NUT, HEXAGON FLANGE | NUT, HEXAGON FLANGE | |
| 007 | CM4930304 | | | CLAMP, HOSE | CLAMP, HOSE | |
| 008 | CM5284996 | | | TUBE, CPR WATER INLET | TUBE, CPR WATER INLET | |
| 009 | CM5285013 | | | HOSE, PLAIN | HOSE, PLAIN | |
| 010 | CM5294133 | | | TUBE, CPR WATER OUTLET | TUBE, CPR WATER OUTLET | |
| 011 | CM5294136 | | | TUBE, CPR WATER OUTLET | TUBE, CPR WATER OUTLET | |
| Eng. Air Compr. | | | | Engine | | 0131 |

0131**Engine****Eng. Air Compr.**

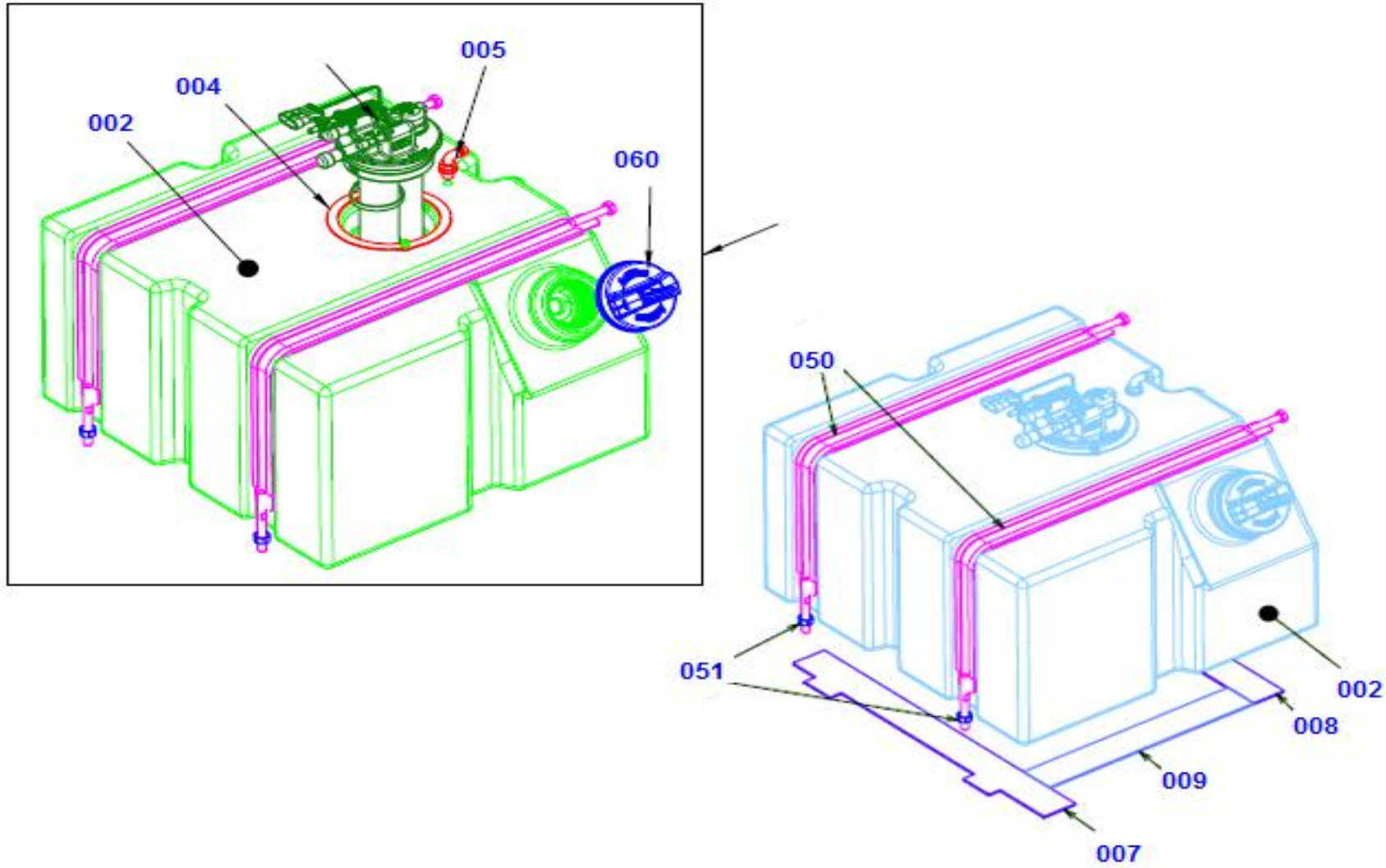
Picture No: HD951GT-00

| POZ | Part No | N.S.N | Code | Part Name (Türkçe) | Part Name (English) | Quantity |
|-----|-----------|-------|------|----------------------------|----------------------------|-------------|
| | | | | <i>Eng. Air Compr.</i> | | |
| 001 | CM4988280 | | | GASKET, HYDRAULIC PUMP | GASKET, HYDRAULIC PUMP | |
| 002 | CM204048 | | | PLATE, COVER | PLATE, COVER | |
| 003 | CM3903990 | | | SCREW, HEX FLANGE HEAD CAP | SCREW, HEX FLANGE HEAD CAP | |
| | | | | Engine | | 0131 |

0132

Engine

Adblue Tank



Picture No: EPL344390100-00



| POZ | Part No | N.S.N | Code | Part Name (Türkçe) | Part Name (English) | Quantity |
|-----|--------------|-------|------|---|---|----------|
| | | | | <i>Adblue Tank</i> | | |
| 002 | 387042842001 | | | GOVDE, DEF TANKI | BODY, DEF TANK | 1 |
| 004 | 377780841001 | | | FLANS, DEF SENSORU BAGLANTI | FLANGE, DEF SENSOR CONNECTION | 1 |
| 005 | 387035265001 | | | SUBAP, HAVALANDIRMA | VALVE, VENTILATION | 1 |
| 007 | 387039603001 | | | IZOLASYON, ADBLUE TANKI 1 | INSULATION | 1 |
| 008 | 387039604001 | | | IZOLASYON, ADBLUE TANKI 2 | INSULATION | 1 |
| 009 | 387039605001 | | | IZOLASYON, ADBLUE TANKI 3 | INSULATION | 1 |
| 050 | 387038020101 | | | KUSAK KOMPLE, ADBLUE DEPOSU | BELT ASM. ADBLUE TANK | 2 |
| 051 | 300850010201 | | | SOMUN, PL. EMN. M10X1. 25, INCE D. DIN985 | NUT, NYLON PRV. M10X1. 25, FINE T. DIN985 | 2 |
| 060 | 387035267001 | | | KAPAK, DEF TANKI | COVER, DEF TANK | 1 |

Adblue Tank

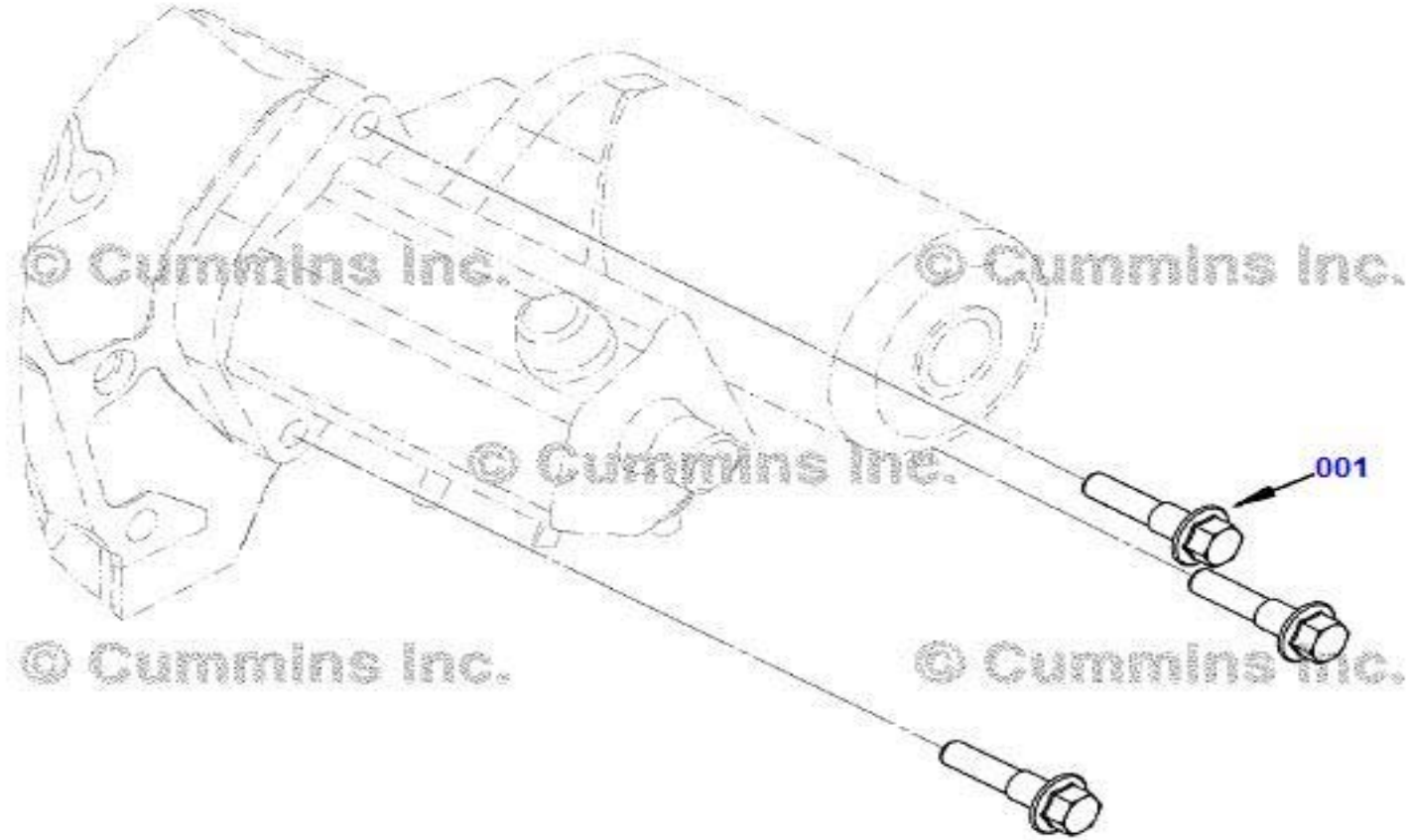
Engine

0132

0133

Engine

Starter



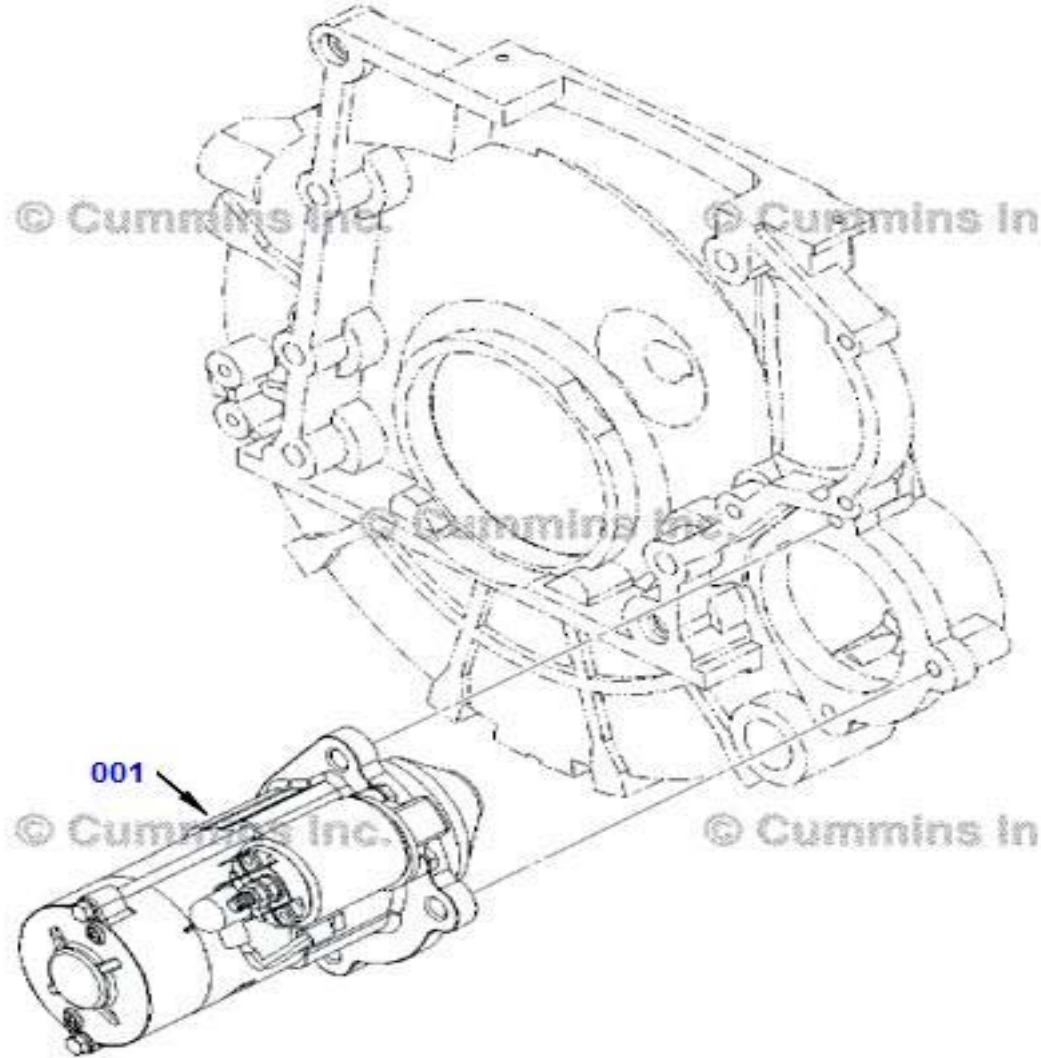
Picture No: SM900ZG-00

| POZ | Part No | N.S.N | Code | Part Name (Türkçe) | Part Name (English) | Quantity |
|----------------|-----------|-------|------|---|-------------------------|-------------|
| 001 | CM3968470 | | | <i>Starter</i> SCREW, TWELVE POINT CAP | SCREW, TWELVE POINT CAP | |
| Starter | | | | Engine | | 0133 |

0133

Engine

Starter



Picture No: ST950GS-00

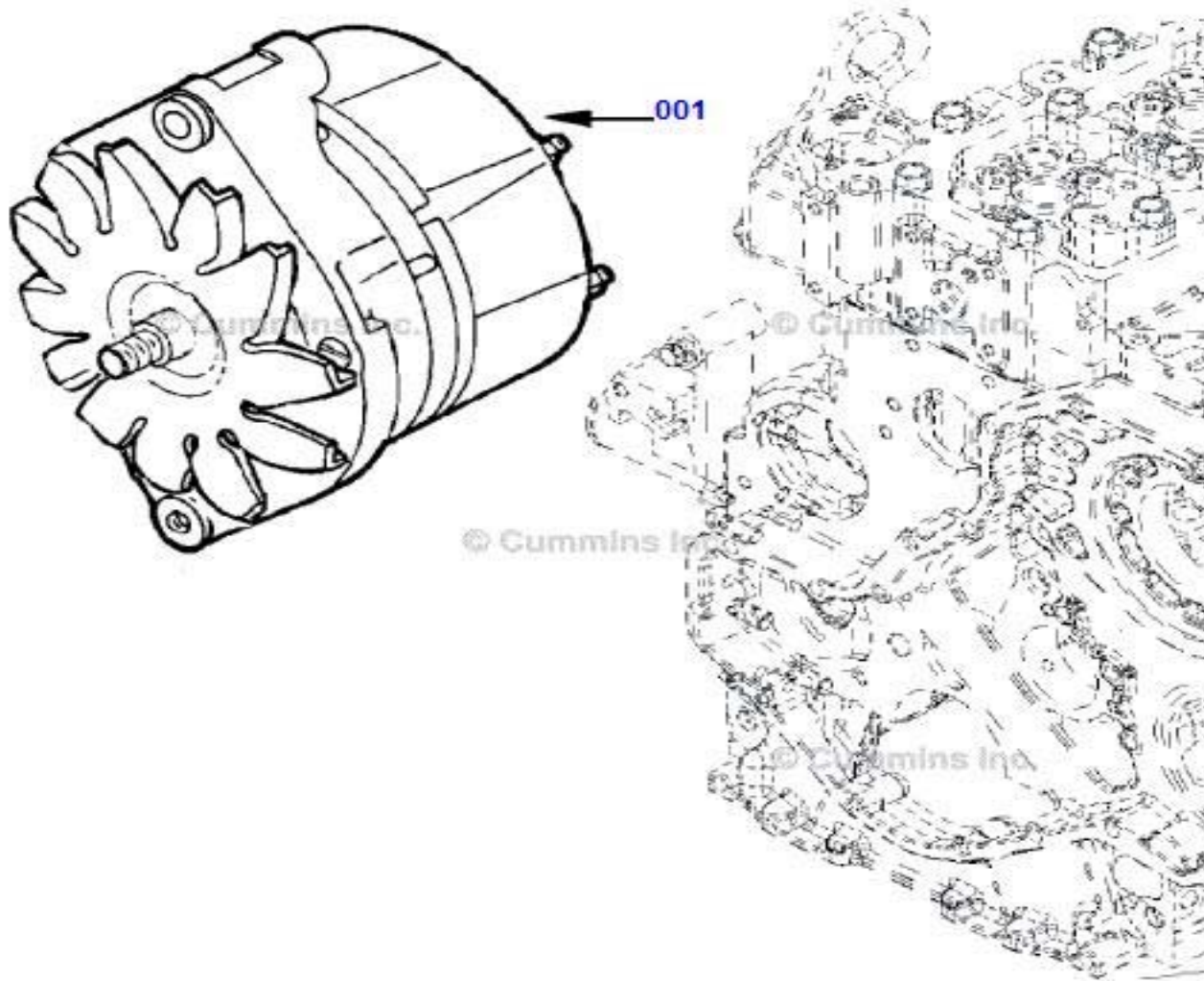


| POZ | Part No | N.S.N | Code | Part Name (Türkçe) | Part Name (English) | Quantity |
|----------------|-----------|-------|------|-----------------------------------|---------------------|-------------|
| 001 | CM4892338 | | | <i>Starter</i> MOTOR, STARTING | MOTOR, STARTING | |
| Starter | | | | Engine | | 0133 |

0134

Engine

Generator



Picture No: EE900ZM-00

| POZ | Part No | N.S.N | Code | Part Name (Türkçe) | Part Name (English) | Quantity |
|-----------|-----------|-------|------|--------------------------------|---------------------|----------|
| 001 | CM5259578 | | | <i>Generator</i> ALTERNATOR | ALTERNATOR | |
| Generator | | | | Engine | | 0134 |

Bölüm Sonu

ANADOLU ISUZU OTOMOTIV SAN. TIC. A.S.

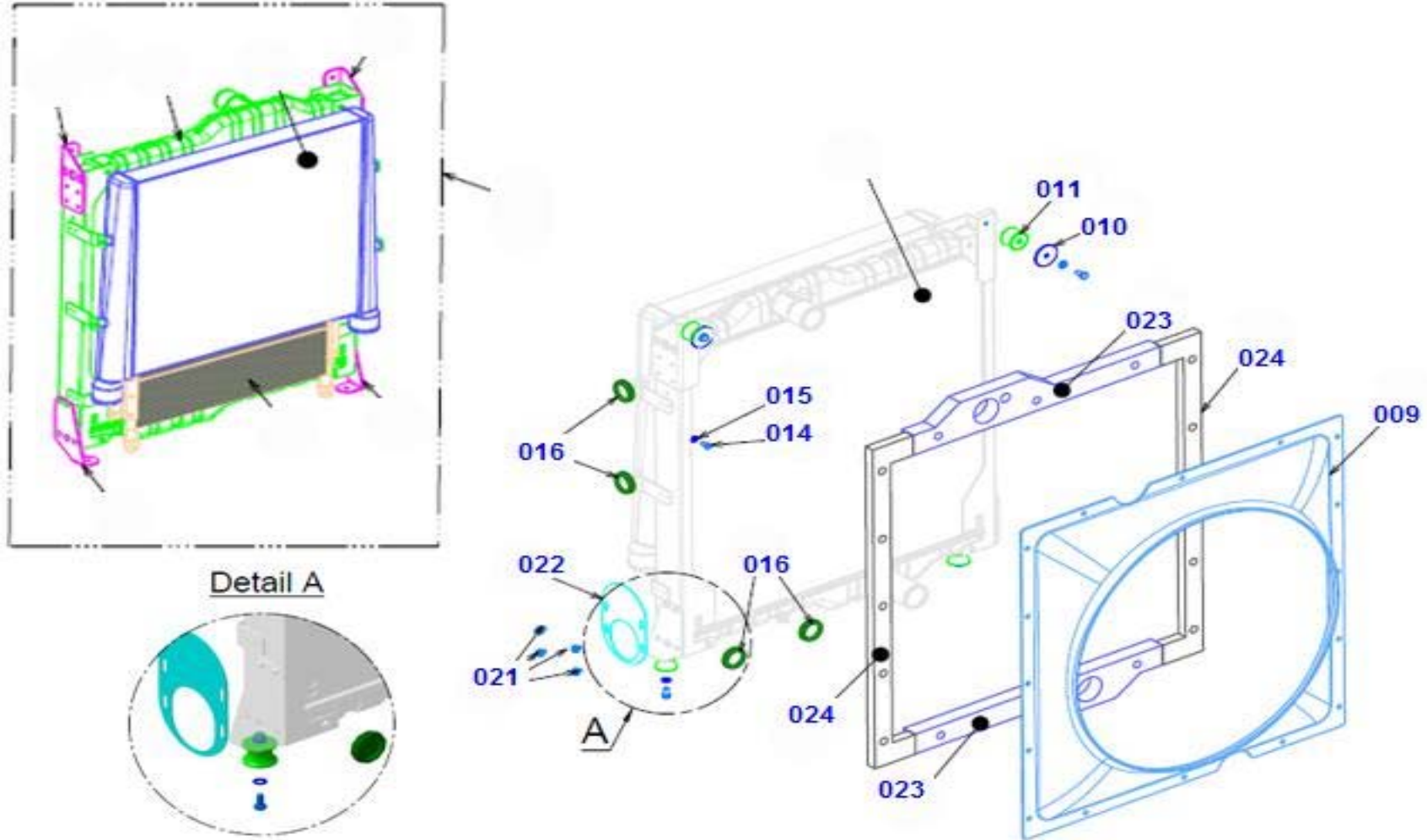
ISUZU



ANADOLU GRUBU

CITIPORT AT E6

02-Cooling System

0201**Cooling System****Radiator**

Picture No: EPL341100100-00



| POZ | Part No | N.S.N | Code | Part Name (Türkçe) | Part Name (English) | Quantity |
|-----|--------------|-------|------|---|--|----------|
| | | | | <i>Radiator</i> | | |
| 009 | 387033156001 | | | DAVLUMBAZ, FAN | SHROUD, FAN | 1 |
| 010 | 387036092001 | | | PUL | WASHER | 2 |
| 011 | 387038851001 | | | RADYATOR TAKOZU | RADIATOR ABSORBER | 4 |
| 014 | 300010816601 | | | CIVATA, AKB M8X1. 25X18, KALIN D. DIN933 | BOLT, HEX M8X1. 25X16, COARSE T. DIN933 | 16 |
| 015 | 301000008601 | | | RONDELA, DUZ D=8 DIN 125 | WASHER, PLAIN D= 8 DIN 125 | 16 |
| 016 | 387029382001 | | | GROMET | GROMMET | 2 |
| 021 | 300120812601 | | | CIVATA, FLN M8X1. 25X12, KALIN D. DIN6921 | BOLT, FLN M8X1. 25X12, COARSE T. DIN6921 | 8 |
| 022 | 387039388101 | | | KAPAK, RADYATOR SACLAMA | COVER, RADIATOR HOUSING | 2 |
| 023 | 387039389001 | | | IZOLASYON, RADYATOR | ISOLATION, RADIATOR | 2 |
| 024 | 387039390001 | | | IZOLASYON, RADYATOR | ISOLATION, RADIATOR | 2 |

Radiator

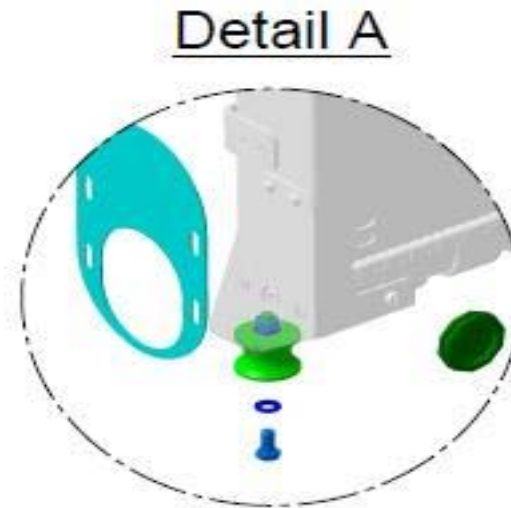
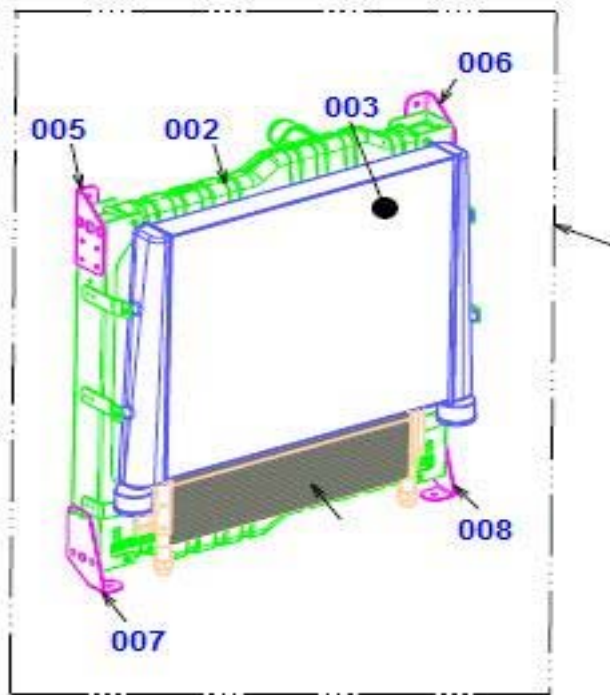
Cooling System

0201

0201

Cooling System

Radiator



Picture No: EPL341100100-01

| POZ | Part No | N.S.N | Code | Part Name (Türkçe) | Part Name (English) | Quantity |
|-----|--------------|-------|------|----------------------|--------------------------|----------|
| | | | | <i>Radiator</i> | | |
| 002 | 387038826001 | | | RADYATOR | RADIATOR | 1 |
| 003 | 387033604001 | | | INTERCOOLER | INTERCOOLER | 1 |
| 005 | 387035899001 | | | BRAKET, RADYATOR UST | BRACKET, RADIATOR TOP | 1 |
| 006 | 387035900001 | | | BRAKET, RADYATOR UST | BRACKET, RADIATOR TOP | 1 |
| 007 | 387038824001 | | | BRAKET, RADYATOR ALT | BRACKET, RADIATOR BOTTOM | 1 |
| 008 | 387038825001 | | | BRAKET, RADYATOR ALT | BRACKET, RADIATOR BOTTOM | 1 |

Radiator

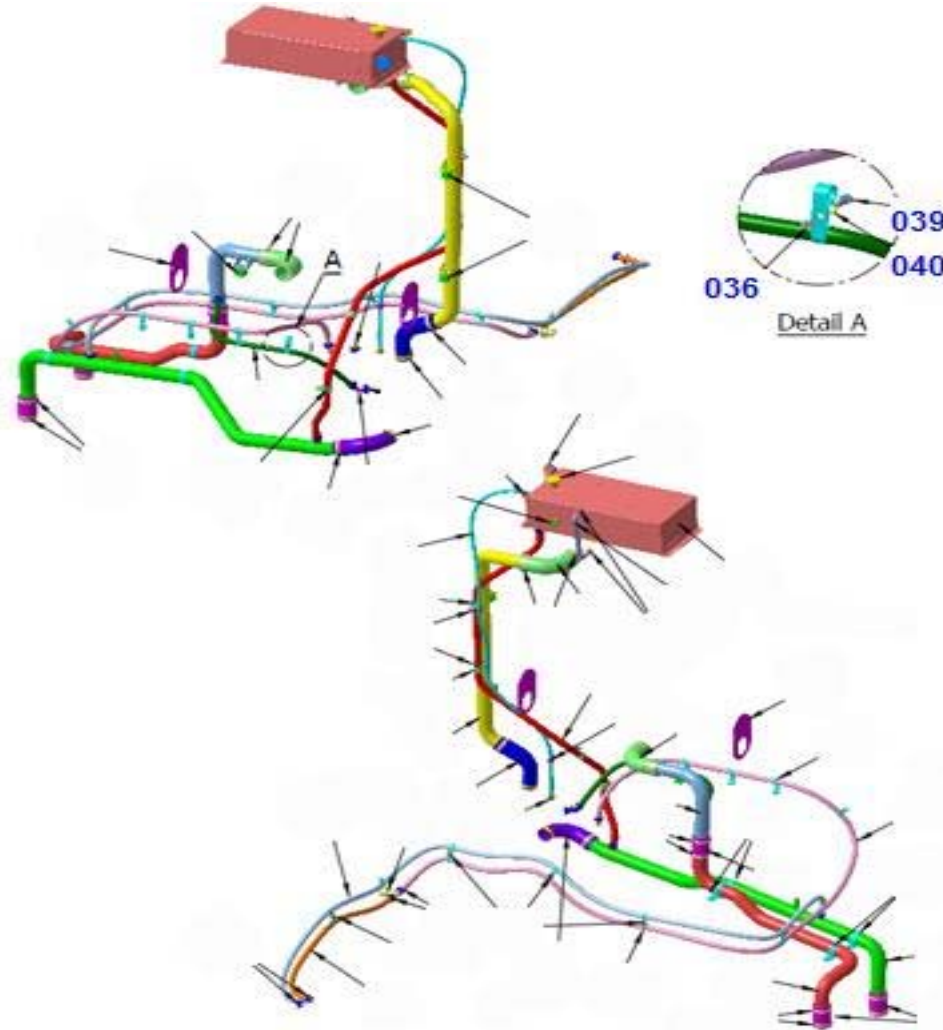
Cooling System

0201

0202

Cooling System

Radiator Hose & Sub Tank



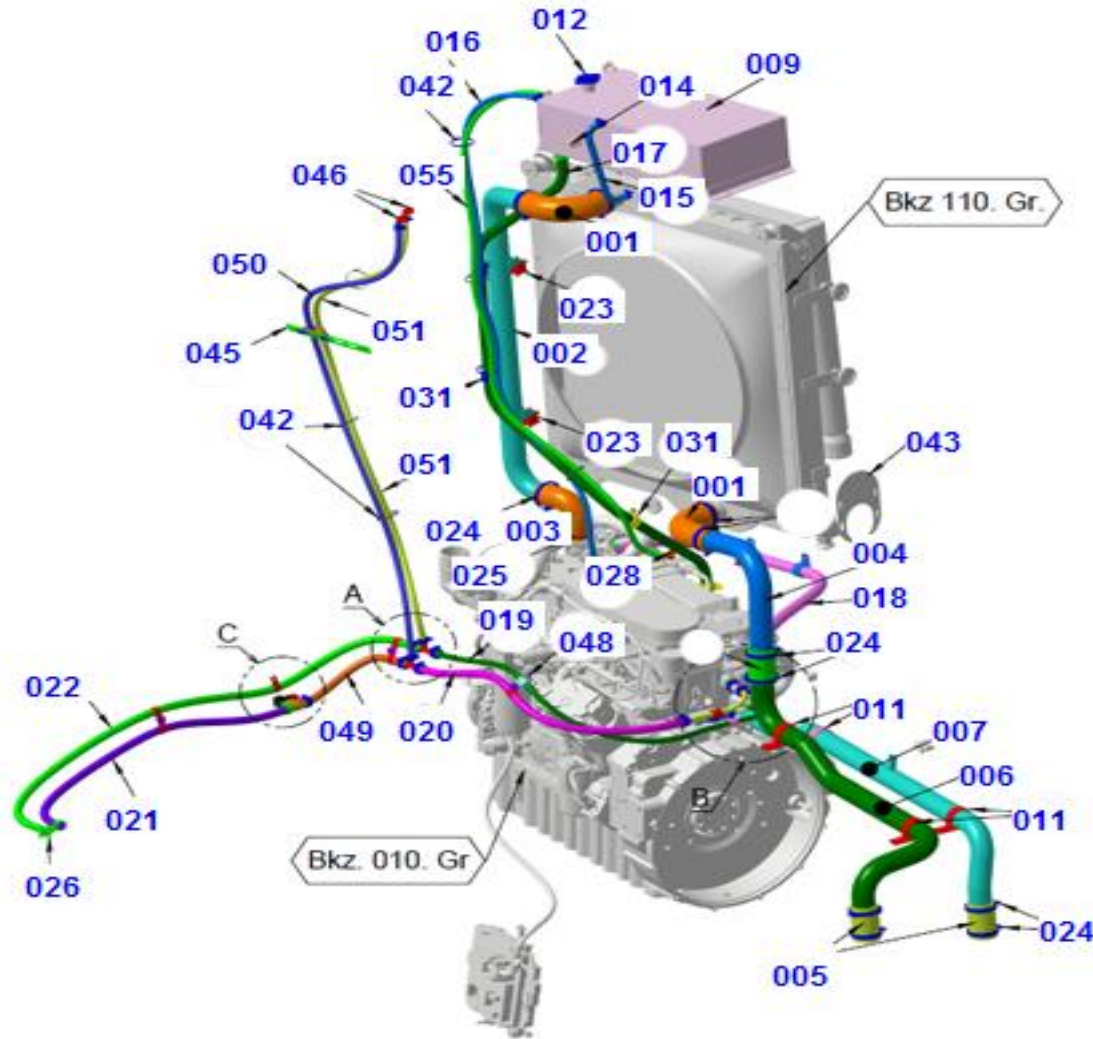
Picture No: EPL341110100-00

| POZ | Part No | N.S.N | Code | Part Name (Türkçe) | Part Name (English) | Quantity |
|--------------------------|--------------|-------|------|--|---|----------|
| | | | | <i>Radiator Hose & Sub Tank</i> | | |
| 036 | 300500008601 | | | SOMUN, AKB M8X1. 25, KALIN D. DIN934 | NUT, HEX M8X1. 25, COARSE T. DIN934 | 9 |
| 039 | 300010820601 | | | CIVATA, AKB M8X1. 25X22, KALIN D. DIN933 | BOLT, HEX M8X1. 25X20, COARSE T. DIN933 | 4 |
| 040 | 301000008601 | | | RONDELA, DUZ D=8 DIN 125 | WASHER, PLAIN D= 8 DIN 125 | 10 |
| Radiator Hose & Sub Tank | | | | Cooling System | | 0202 |

0202

Cooling System

Radiator Hose & Sub Tank



Picture No: EPLB3511101-00

| POZ | Part No | N.S.N | Code | Part Name (Türkçe) | Part Name (English) | Quantity |
|-----|--------------|-------|------|--------------------------------------|------------------------------------|----------|
| | | | | <i>Radiator Hose & Sub Tank</i> | | |
| 001 | 387033629251 | | | HORTUM, RADYATOR GIRIS | HOSE, RADIATOR INLET | 2 |
| 002 | 387040726001 | | | BORU KOMPLE, MOTOR SU CIKIS | PIPE ASM. ENGINE WATER EXIT | 1 |
| 003 | 387040749051 | | | HORTUM, MOTOR SU CIKIS | HOSE, ENGINE WATER OUTLET | 1 |
| 004 | 387040873001 | | | BORU, KOMPLE RADYATOR CIKIS | PIPE, ASM. RADIATOR EXIT | 1 |
| 005 | 387033607151 | | | HORTUM, SANZIMAN BAGLANTI | HOSE, TRANSMISSION CONNECTION | 3 |
| 006 | 387033612101 | | | BORU, SANZIMAN GIRIS | PIPE, TRANSMISSION ENTRY | 1 |
| 007 | 387042690001 | | | BORU, KOMPLE MOTOR SU GIRIS | PIPE, ASM. ENGINE WATER ENTRY | 1 |
| 009 | 387042620001 | | | TANK, KOMPLE GENLESME | TANK, ASM. EXPANSION | 1 |
| 011 | 387033617001 | | | KELEPCE, CAP 60 BORU | CLAMP | 4 |
| 012 | 387039036001 | | | KAPAK, GENLESME TANKI 1 BAR | DEGAS BOTTLE LID, 1 ATM | 1 |
| 014 | 387034755051 | | | SENSOR, SEVIYE, DEPO KMP | SEONSOR, LEVEL, TANK CMP | 1 |
| 015 | 387035161001 | | | HORTUM, RADYATOR HAVALANDIRMA | HOSE, RADIATOR VENTILATION | 1 |
| 016 | 387035162001 | | | HORTUM, MOTOR HAVALANDIRMA | HOSE, ENGINE VENTILATION | 1 |
| 017 | 387042079001 | | | HORTUM, GENLESME SU TAMAMLAMA | HOSE, DILATATION WATER COMPLETION | 1 |
| 018 | 387041118001 | | | HORTUM, BYPASS HATTI | HOSE, BYPASS LINE | 1 |
| 019 | 387042804001 | | | HORTUM, ADBLUE ISITMA | HOSE, ADBLUE HEATING | 1 |
| 020 | 387042808001 | | | HORTUM, ADBLUE ISITMA | HOSE, ADBLUE HEATING | 1 |
| 021 | 387035072001 | | | HORTUM, URE TANK SU GIDIS | HOSE, UREA TANK WATER INLET | 1 |
| 022 | 387042812001 | | | HORTUM, URE TANK SU DONUS | HOSE, UREA TANK WATER RETURN | 1 |
| 023 | 894158155101 | | | TAKOZ, HAVA BACASI ALT | BLOCK, AIR CHIMNEY BOTTOM | 3 |
| 024 | 387014000001 | | | KELEPCE, 60-80 | CLAMP (NORMA) | 12 |
| 025 | 387018591001 | | | KELEPCE, 50-70 | CLAMP(NORMA) 50-70 | 2 |
| 026 | 305302032601 | | | KELEPCE, VIDALI B12, Ø20-32, DIN3017 | CLAMP, W/BOLT B12, Ø20-32, DIN3017 | 14 |
| 028 | 305301625601 | | | KELEPCE, VIDALI B12, Ø16-25, DIN3017 | CLAMP, W/BOLT B12, Ø16-25, DIN3017 | 11 |
| 031 | 387039429001 | | | KELEPCE, CAP 29 | HINGE ASSEMBLY | 4 |
| 042 | 377770506001 | | | PLASTIK KELEPCE L 350 MM | CLIP, PLASTIC | 7 |
| 043 | 387041250001 | | | PAD, RADYATOR IZOLASYON | PAD, RADIATOR INSULATION | 2 |
| 045 | 387042765001 | | | BRAKET | BRACKET | 2 |

Radiator Hose & Sub Tank

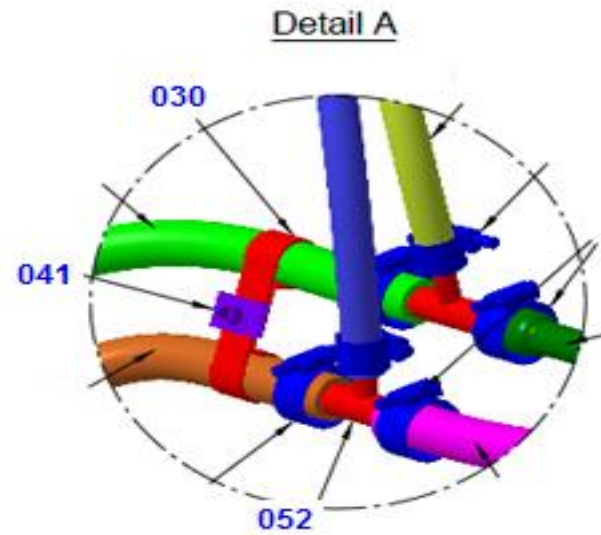
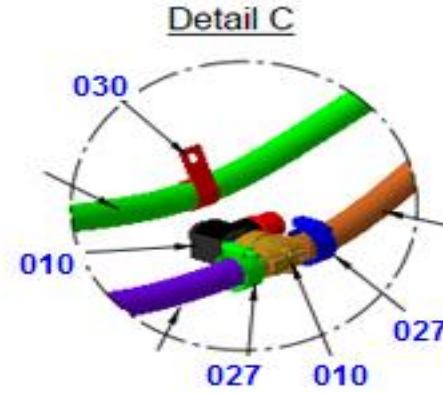
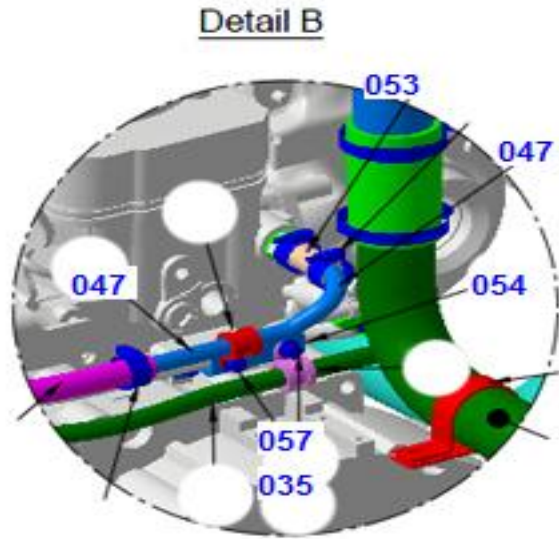
Cooling System

0202

0202

Cooling System

Radiator Hose & Sub Tank



Picture No: EPLB3511102-00

| POZ | Part No | N.S.N | Code | Part Name (Türkçe) | Part Name (English) | Quantity |
|-----|--------------|-------|------|---|--|----------|
| | | | | <i>Radiator Hose & Sub Tank</i> | | |
| 010 | 387035057001 | | | SELENOID VALF | VALVE SELENOID | 1 |
| 027 | 305302032601 | | | KELEPCE, VIDALI B12, Ø20-32, DIN3017 | CLAMP, W/BOLT B12, Ø20-32, DIN3017 | 2 |
| 030 | 387014152001 | | | SAC KLIPS | CLIP, METAL SHEET | 6 |
| 035 | 300500008601 | | | SOMUN, AKB M8X1. 25, KALIN D. DIN934 | NUT, HEX M8X1. 25, COARSE T. DIN934 | 18 |
| 041 | 387038681001 | | | KLIPS, VIDALI M8 | CLIP | 6 |
| 047 | 387042796001 | | | BORU, ENJEKTOR SOGUTMA | PIPE, INJECTOR COOLING | 1 |
| 052 | 387037266001 | | | ADAPTOR, Y, 16-16-10 | ADAPTOR, Y, 16-16-10 | 2 |
| 053 | 387042820001 | | | HORTUM | HOSE | 1 |
| 054 | 387042824001 | | | BRAKET | BRACKET | 1 |
| 057 | 300120816601 | | | CIVATA, FLN M8X1. 25X16, KALIN D. DIN6921 | BOLT, FLN M8X1. 25X16, COARSE T. DIN6921 | 4 |

Radiator Hose & Sub Tank

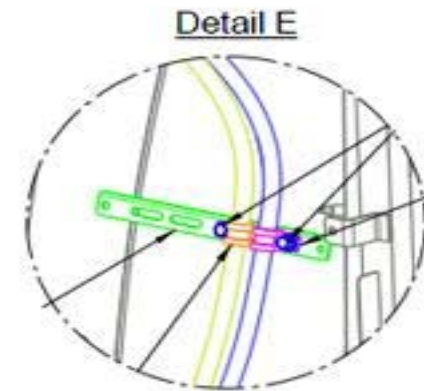
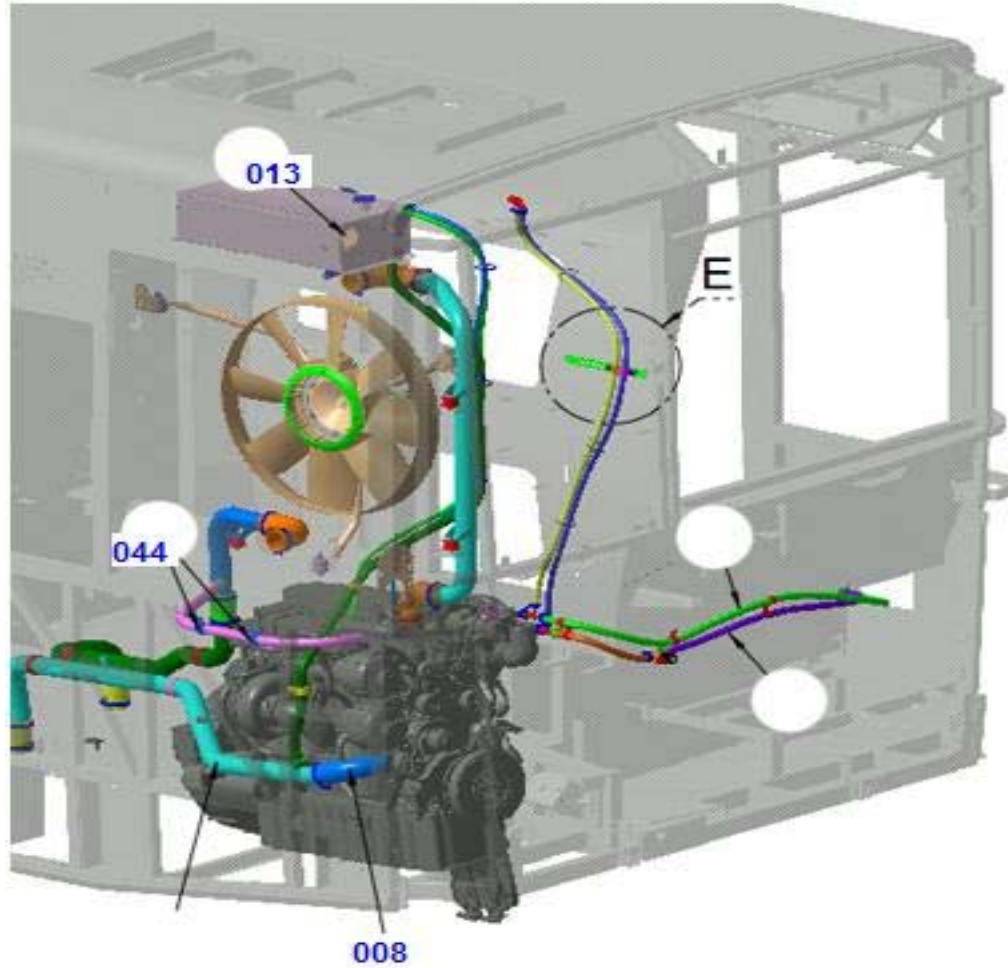
Cooling System

0202

0202

Cooling System

Radiator Hose & Sub Tank



Picture No: EPLB3511103-00

| POZ | Part No | N.S.N | Code | Part Name (Türkçe) | Part Name (English) | Quantity |
|-----|--------------|-------|------|-------------------------------------|--------------------------|-------------|
| | | | | <i>Radiator Hose & Sub Tank</i> | | |
| 008 | 387033437151 | | | HORTUM, MOTOR SU GIRIS | HOSE, ENGINE WATER INLET | 1 |
| 013 | 387039035001 | | | KAPAK, GENLESME TANKI | DEGAS BOTTLE LID | 1 |
| 044 | 387012341001 | | | KELEPCE | CLAMP | 2 |
| | | | | Radiator Hose & Sub Tank | Cooling System | 0202 |

Bölüm Sonu

ANADOLU ISUZU OTOMOTIV SAN. TIC. A.S.

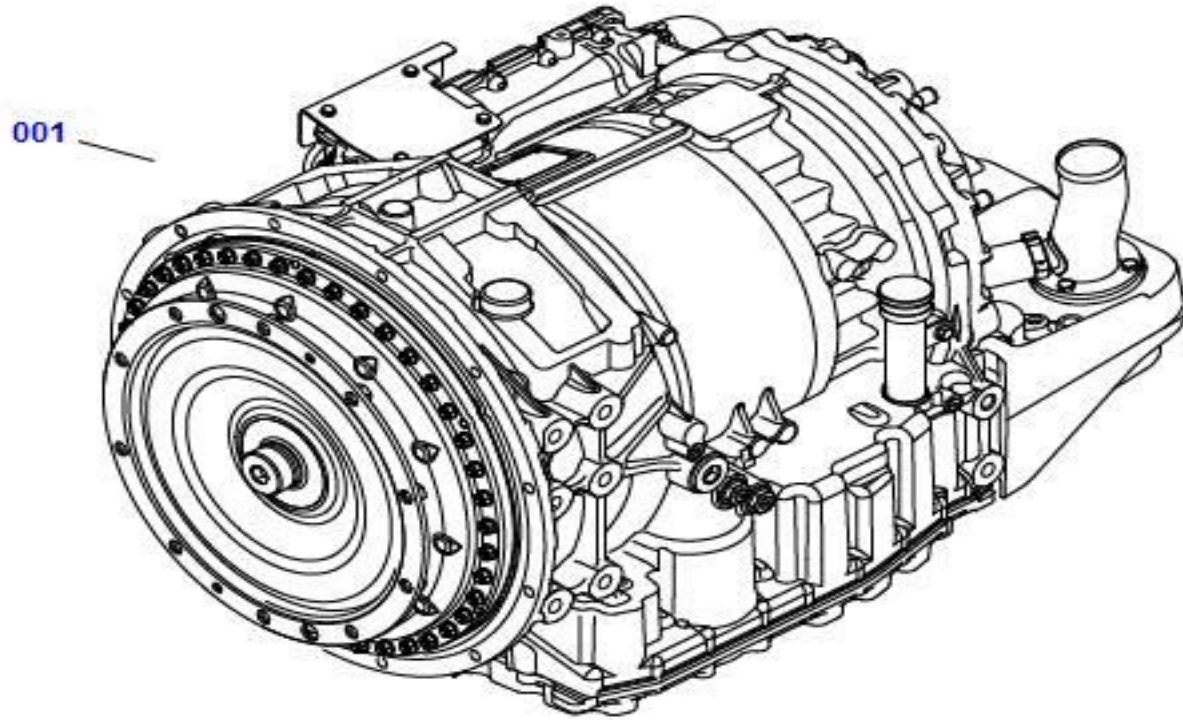
ISUZU



ANADOLU GRUBU

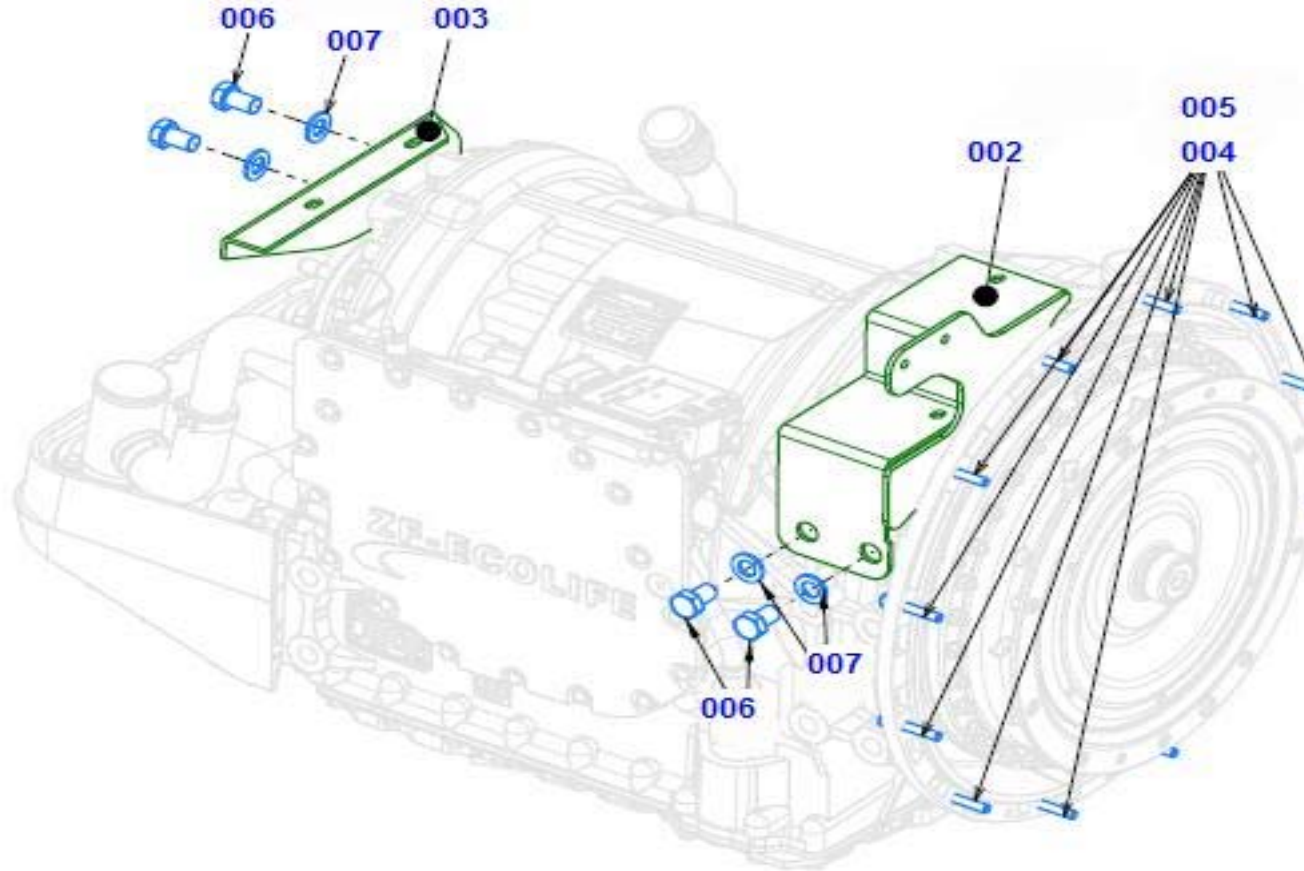
CITIPORT AT E6

03-Transmission-Shift

0301**Transmission-Shift****Auto Transmission**

Picture No: 4181002303-001

| POZ | Part No | N.S.N | Code | Part Name (Türkçe) | Part Name (English) | Quantity |
|-------------------|--------------|-------|------|---|-------------------------------|----------|
| 001 | 387044952051 | | | <i>Auto Transmission</i> SANZIMAN KOMPLE, ZF ECOLIFE 1200B | TRANSMISSION ZF ECOLIFE 1200B | 1 |
| Auto Transmission | | | | Transmission-Shift | | 0301 |

0301**Transmission-Shift****Auto Transmission**

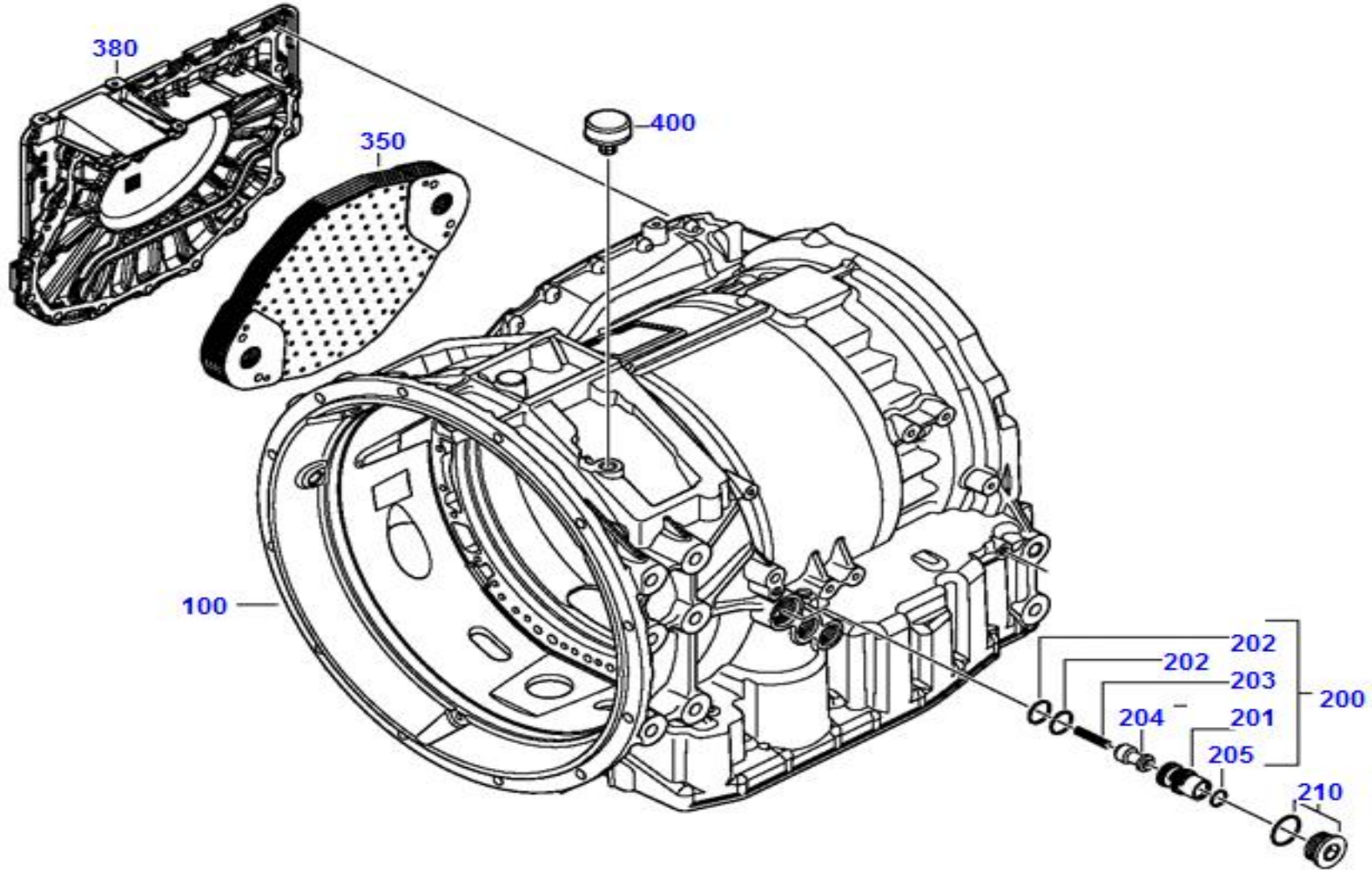
Picture No: EPL342400100-00

| POZ | Part No | N.S.N | Code | Part Name (Türkçe) | Part Name (English) | Quantity |
|-----|--------------|-------|------|--|---|----------|
| | | | | <i>Auto Transmission</i> | | |
| 002 | 387033578001 | | | BRAKET, SANZIMANA BAGLANTI KOMPLE | BRACKET, LINK TO TRANSMISSION | 1 |
| 003 | 387033618001 | | | BRAKET, SANZIMANA BAGLANTI | BRACKET, LINK TO TRANSMISSION | 1 |
| 004 | 300051050401 | | | CIVATA, AKB M10X1. 5X50, KALIN D. DIN933 | BOLT, HEX M10X1. 5X50, COARSE T. DIN933 | 12 |
| 005 | 301000008201 | | | RONDELA, DUZ D=8 DIN 125 | WASHER, PLAIN D= 8 DIN 125 | 12 |
| 006 | 300041625601 | | | CIVATA, AKB M16X1. 5X25, INCE D. DIN960 | BOLT, HEX M16X1. 5X25, FINE T. DIN960 | 4 |
| 007 | 301000016601 | | | RONDELA, DUZ D=16 DIN 125 | WASHER | 4 |

Auto Transmission

Transmission-Shift

0301

0301**Transmission-Shift****Auto Transmission**

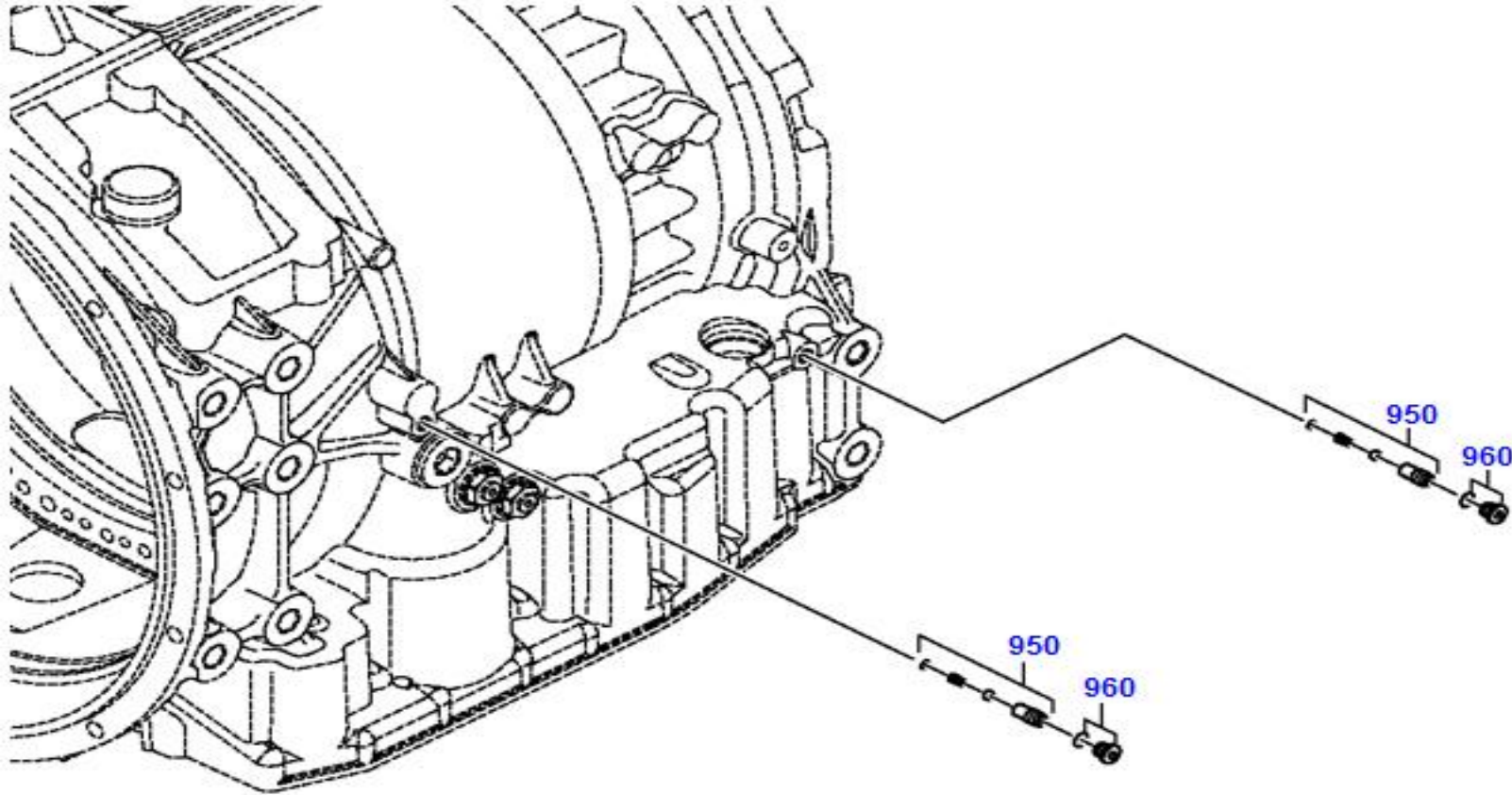
Picture No: ISZFA1001

| POZ | Part No | N.S.N | Code | Part Name (Türkçe) | Part Name (English) | Quantity |
|-----|--------------|-------|------|--------------------------|---------------------|----------|
| | | | | <i>Auto Transmission</i> | | |
| 000 | 4181.102.850 | | | CLOSING COMPONENTS | CLOSING COMPONENTS | |
| 000 | 4181.102.805 | | | CLOSING COMPONENTS | CLOSING COMPONENTS | |
| 000 | 4181.184.050 | | | OIL TUBE | OIL TUBE | |
| 000 | 4181.184.851 | | | HEAT EXCHANGER | HEAT EXCHANGER | |
| 000 | 4181.184.801 | | | HEAT EXCHANGER | HEAT EXCHANGER | |
| 000 | 4181.184.822 | | | COVER | COVER | |
| 000 | 0636.100.228 | | | SCREW PLUG | SCREW PLUG | |
| 000 | 4181.107.050 | | | ACCUMULATOR | ACCUMULATOR | |
| 000 | 4181.107.850 | | | ACCUMULATOR | ACCUMULATOR | |
| 000 | 4181.108.007 | | | OIL TUBE | OIL TUBE | |
| 000 | 4181.108.803 | | | OIL TUBE | OIL TUBE | |
| 000 | 4181.108.054 | | | MANIFOLD | MANIFOLD | |
| 000 | 4181.108.850 | | | MANIFOLD | MANIFOLD | |
| 000 | 4181.108.051 | | | OIL TUBE | OIL TUBE | |
| 000 | 4181.108.854 | | | OIL TUBE | OIL TUBE | |
| 100 | 4181.202.049 | | | GETR.GEHAEUSE | SCREW PLUG | |
| 200 | 4181.205.007 | | | BYPASSVENTIL | BY-PASS VALVE | |
| 201 | 4181.305.004 | | | BUCHSE | BUSH | |
| 202 | 0501.322.984 | | | O-RING | BALL JOINT | |
| 203 | 0732.042.935 | | | DRUCKFEDER | COMPRESSION SPRING | |
| 204 | 4181.305.005 | | | KOLBEN | BUSH | |
| 205 | 0630.513.120 | | | SPRENGRING | SNAP RING | |
| 210 | 0636.100.478 | | | VERSCHLUSSSCHRAUBE | CAP SCREW | |
| 210 | 0501.322.911 | | | O-RING | O-RING | |
| 350 | 0501.217.916 | | | OELKUEHLER | OIL COOLER | |
| 380 | 4181.384.100 | | | DECKEL | COVER | |
| 400 | 0501.327.593 | | | ENTLUEFTER | BREATHER | |

Auto Transmission

Transmission-Shift

0301

0301**Transmission-Shift****Auto Transmission**

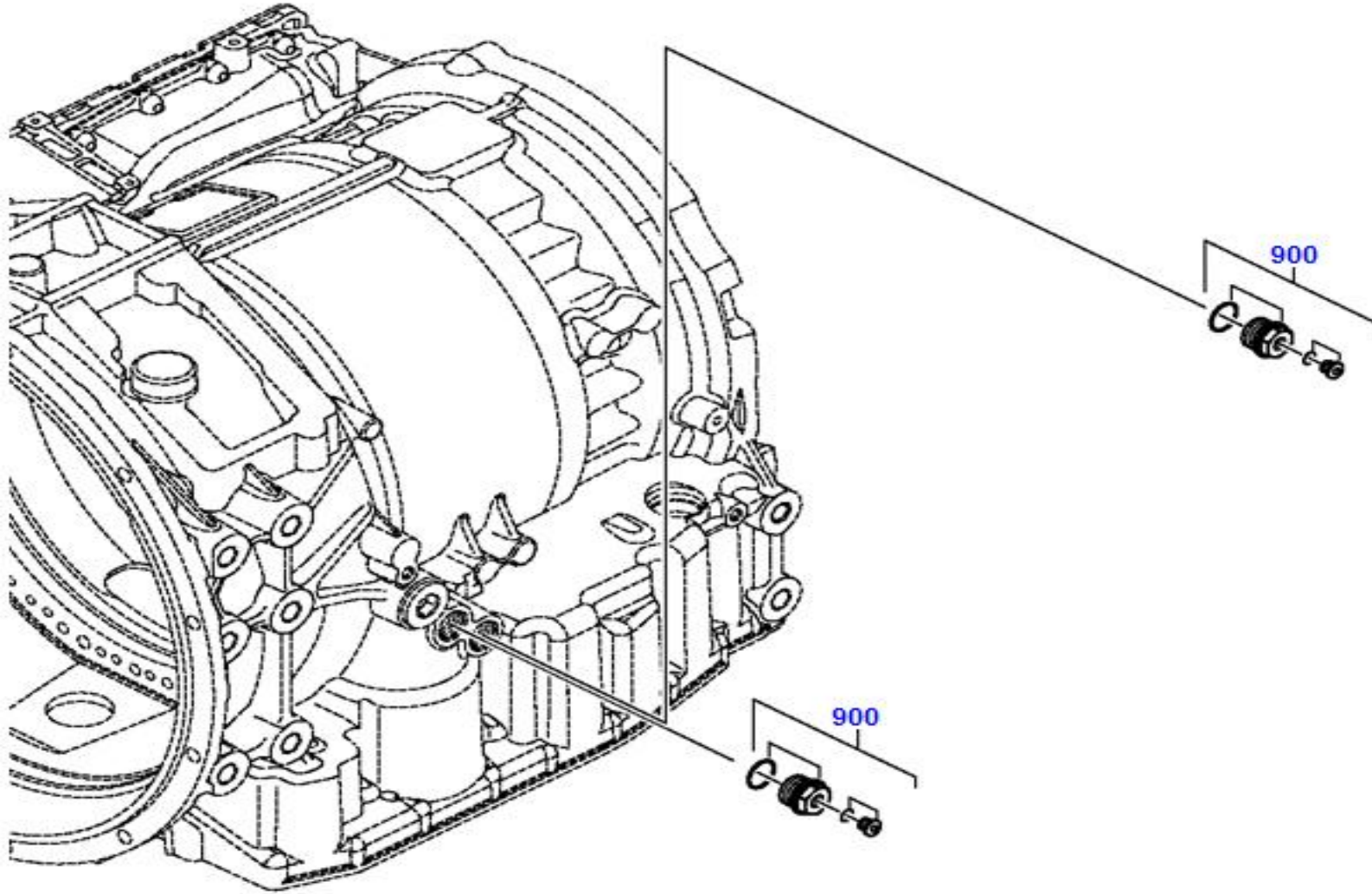
Picture No: ISZFA1002

| POZ | Part No | N.S.N | Code | Part Name (Türkçe) | Part Name (English) | Quantity |
|-------------------|--------------|-------|------|--------------------------|---------------------|----------|
| | | | | <i>Auto Transmission</i> | | |
| 950 | 4139.201.419 | | | VENTİL | VALVE | |
| 960 | 0636.100.793 | | | VERSCHLUSSSCHRAUBE | CAP SCREW | |
| 960 | 0501.322.905 | | | O-RING | BALL JOINT | |
| Auto Transmission | | | | Transmission-Shift | | 0301 |

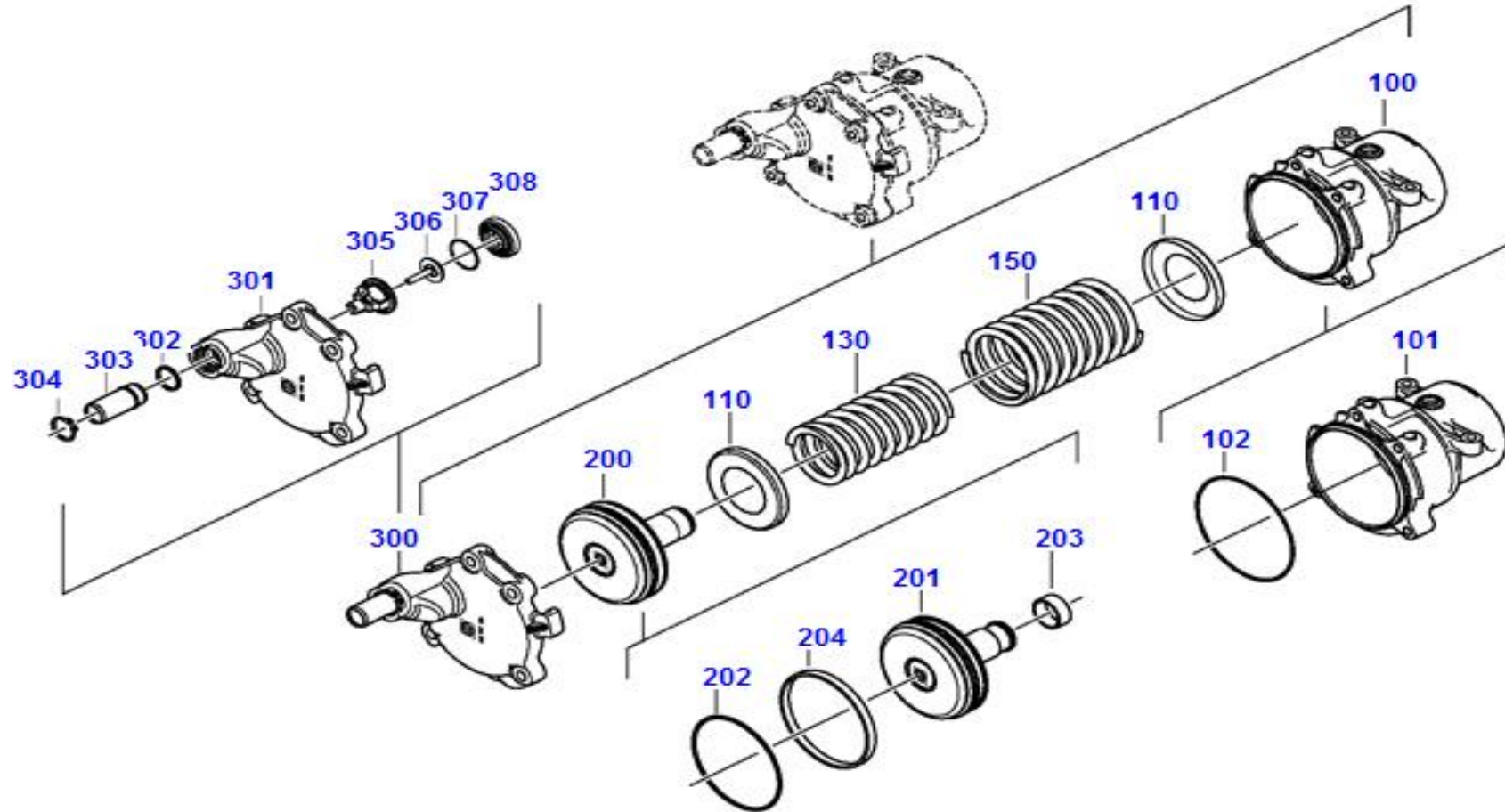
0301

Transmission-Shift

Auto Transmission

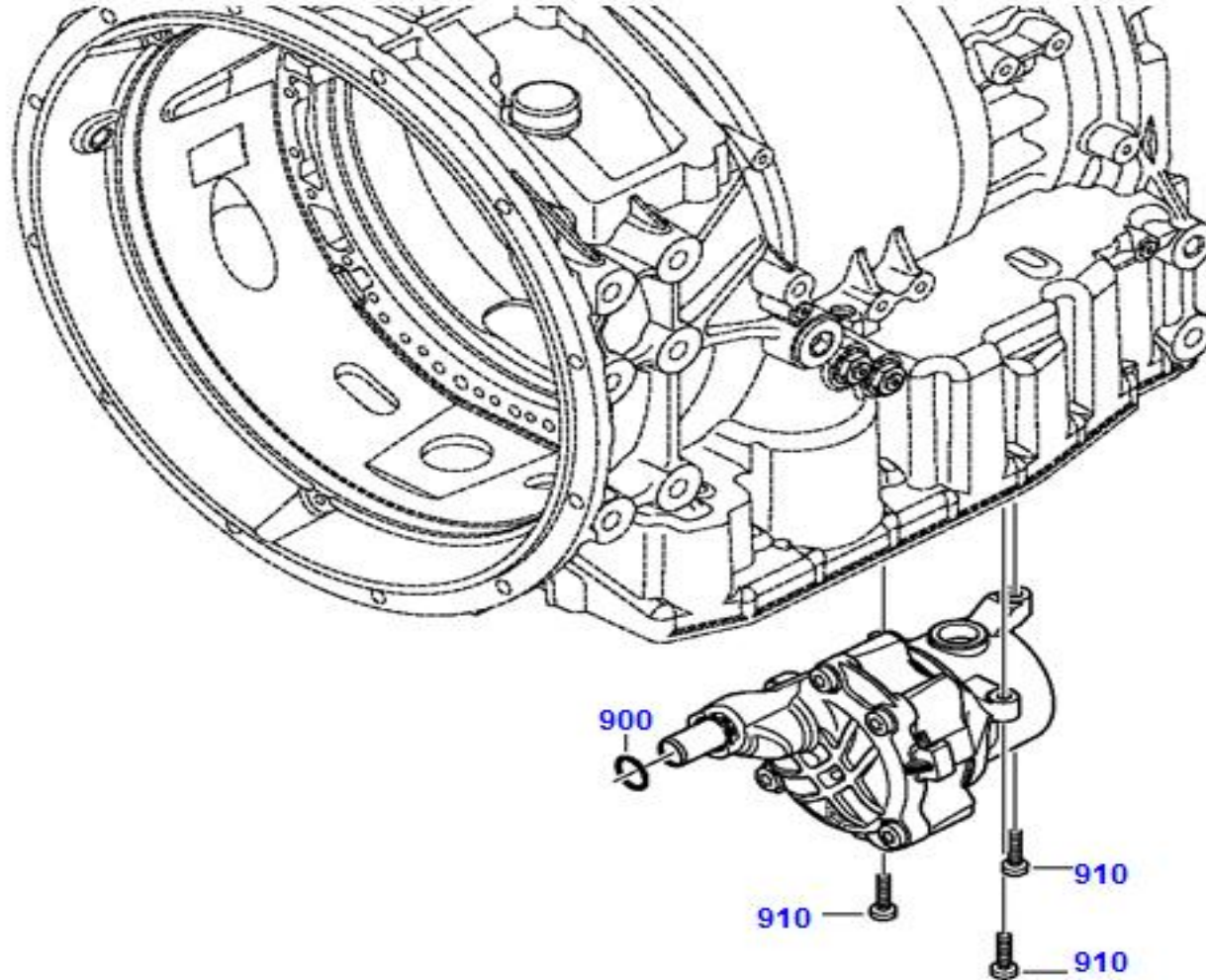


Picture No: ISZFA1003

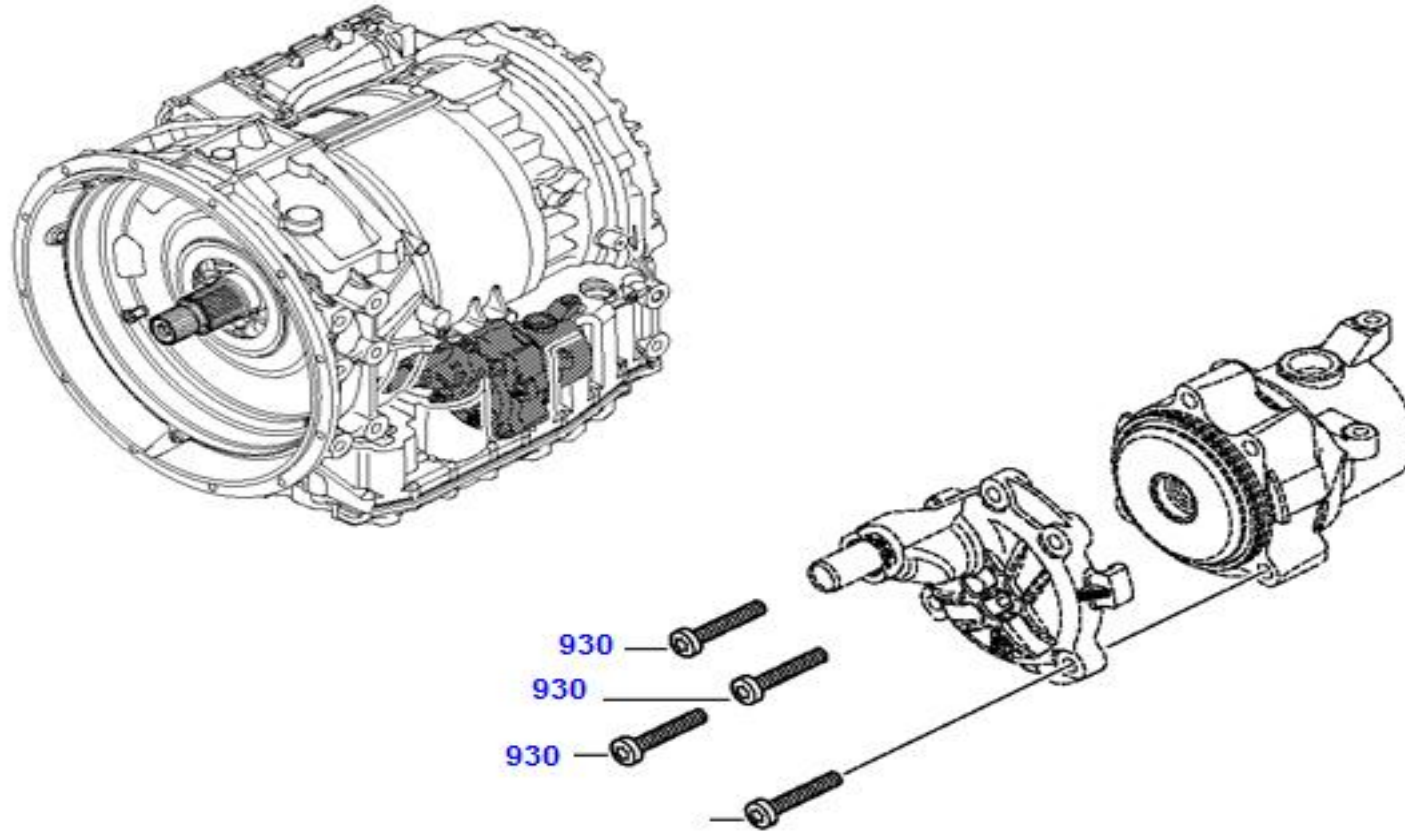
0301**Transmission-Shift****Auto Transmission**

Picture No: ISZFA1004

| POZ | Part No | N.S.N | Code | Part Name (Türkçe) | Part Name (English) | Quantity |
|--------------------------|--------------|-------|------|---------------------------|---------------------|-------------|
| | | | | <i>Auto Transmission</i> | | |
| 000 | 4181.107.803 | | | COVER | COVER | |
| 100 | 4181.207.017 | | | ZYLINDER | COVER | |
| 101 | 4181.307.031 | | | ZYLINDER | CYLINDER | |
| 102 | 0501.322.935 | | | O-RING | BALL JOINT | |
| 110 | 4181.307.024 | | | HALTEBLECH | CYLINDER | |
| 130 | 0732.042.968 | | | DRUCKFEDER | COMPRESSION SPRING | |
| 150 | 0732.042.969 | | | DRUCKFEDER | COMPRESSION SPRING | |
| 200 | 4181.207.007 | | | KOLBEN | COVER | |
| 201 | 4181.307.012 | | | KOLBEN | CYLINDER | |
| 202 | 0501.324.121 | | | DICHTRING | BRAKE CYLINDER | |
| 203 | 0730.113.402 | | | FUEHRUNGSRING | AXIAL WASHER | |
| 204 | 0730.113.403 | | | FUEHRUNGSRING | AXIAL WASHER | |
| 300 | 4181.207.008 | | | DECKEL | COVER | |
| 301 | 4181.307.013 | | | COVER | COVER | |
| 302 | 0501.322.913 | | | O-RING | BALL JOINT | |
| 303 | 4181.307.029 | | | OIL TUBE | OIL TUBE | |
| 304 | 0501.331.279 | | | RETAINING RING | RETAINING RING | |
| 305 | 4181.307.034 | | | CAGE | CAGE | |
| 306 | 4181.307.015 | | | PISTON | PISTON | |
| 307 | 0501.322.978 | | | O-RING | BALL JOINT | |
| 308 | 4181.307.032 | | | THREADED INSERT | THREADED INSERT | |
| Auto Transmission | | | | Transmission-Shift | | 0301 |

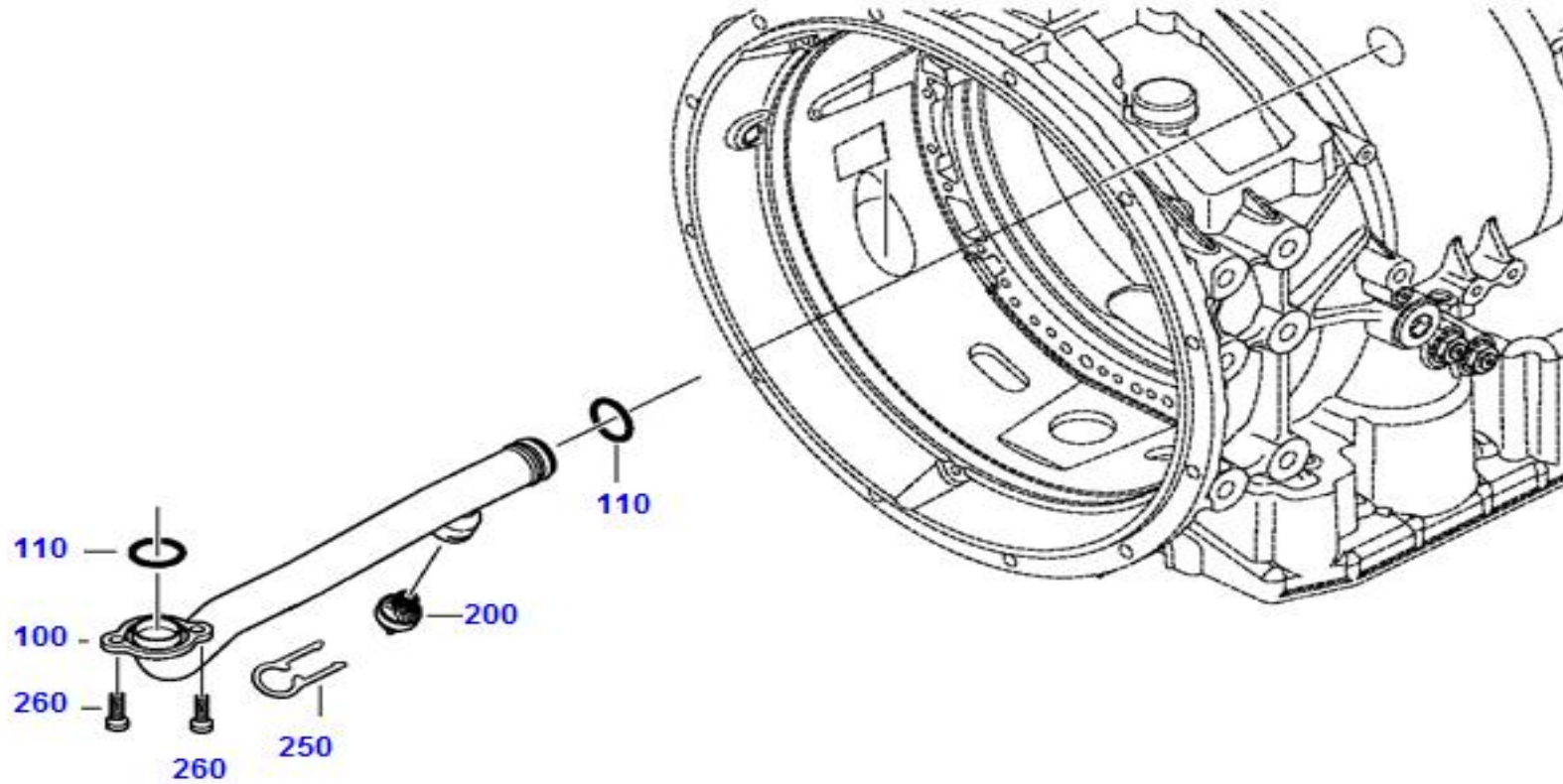
0301**Transmission-Shift****Auto Transmission**

Picture No: ISZFA1005

0301**Transmission-Shift****Auto Transmission**

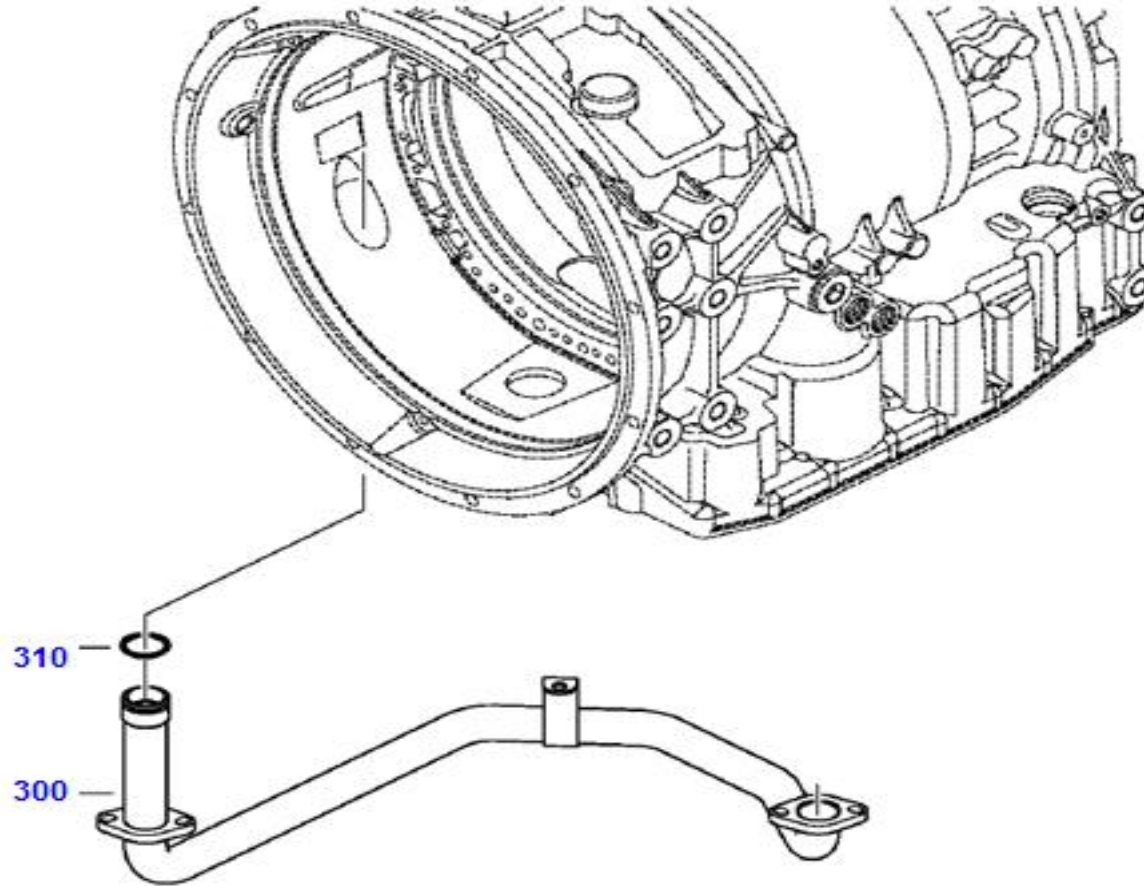
Picture No: ISZFA1006

| POZ | Part No | N.S.N | Code | Part Name (Türkçe) | Part Name (English) | Quantity |
|-------------------|--------------|-------|------|-------------------------------------|---------------------|----------|
| 930 | 0736.300.214 | | | Auto Transmission SECHSRUNDSCHR. | CAP SCREW | |
| Auto Transmission | | | | Transmission-Shift | | 0301 |

0301**Transmission-Shift****Auto Transmission**

Picture No: ISZFA1007

| POZ | Part No | N.S.N | Code | Part Name (Türkçe) | Part Name (English) | Quantity |
|--------------------------|--------------|-------|------|---------------------------|---------------------|-------------|
| | | | | <i>Auto Transmission</i> | | |
| 100 | 4181.290.025 | | | OELROHR | DISC CARRIER | |
| 110 | 0501.322.980 | | | O-RING | BALL JOINT | |
| 200 | 0501.216.222 | | | TEMP.SENSOR | PRESSURE FILTER | |
| 250 | 4181.308.017 | | | HALTEBUEGEL | MANIFOLD | |
| 260 | 0736.300.212 | | | SECHSRUNDSCHR. | CAP SCREW | |
| Auto Transmission | | | | Transmission-Shift | | 0301 |

0301**Transmission-Shift****Auto Transmission**

Picture No: ISZFA1008

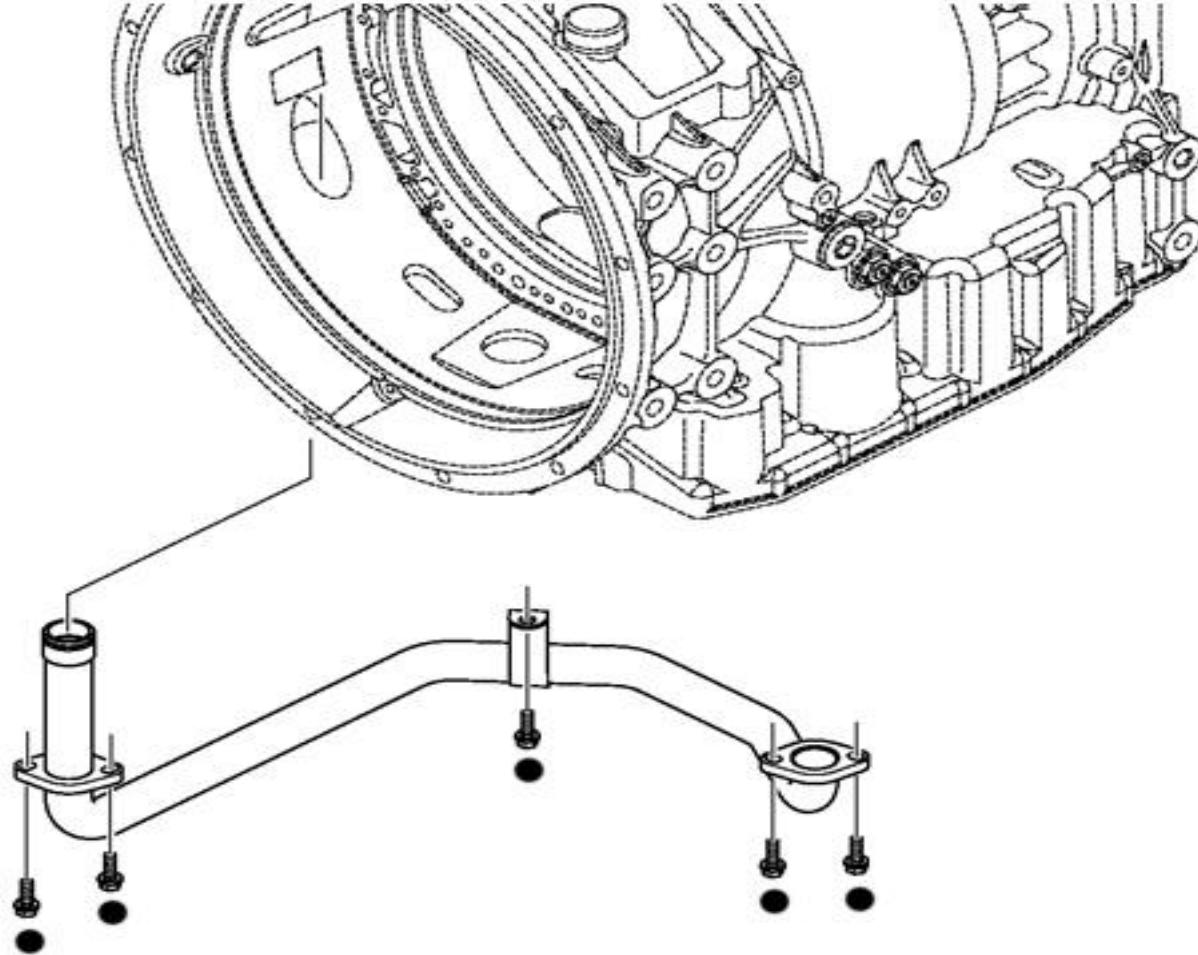
| POZ | Part No | N.S.N | Code | Part Name (Türkçe) | Part Name (English) | Quantity |
|--------------------------|--------------|-------|------|---------------------------|---------------------|-------------|
| | | | | <i>Auto Transmission</i> | | |
| 300 | 4181.290.024 | | | OELROHR | DISC CARRIER | |
| 310 | 0501.322.980 | | | O-RING | BALL JOINT | |
| Auto Transmission | | | | Transmission-Shift | | 0301 |

0301

Transmission-Shift

Auto Transmission

● 101



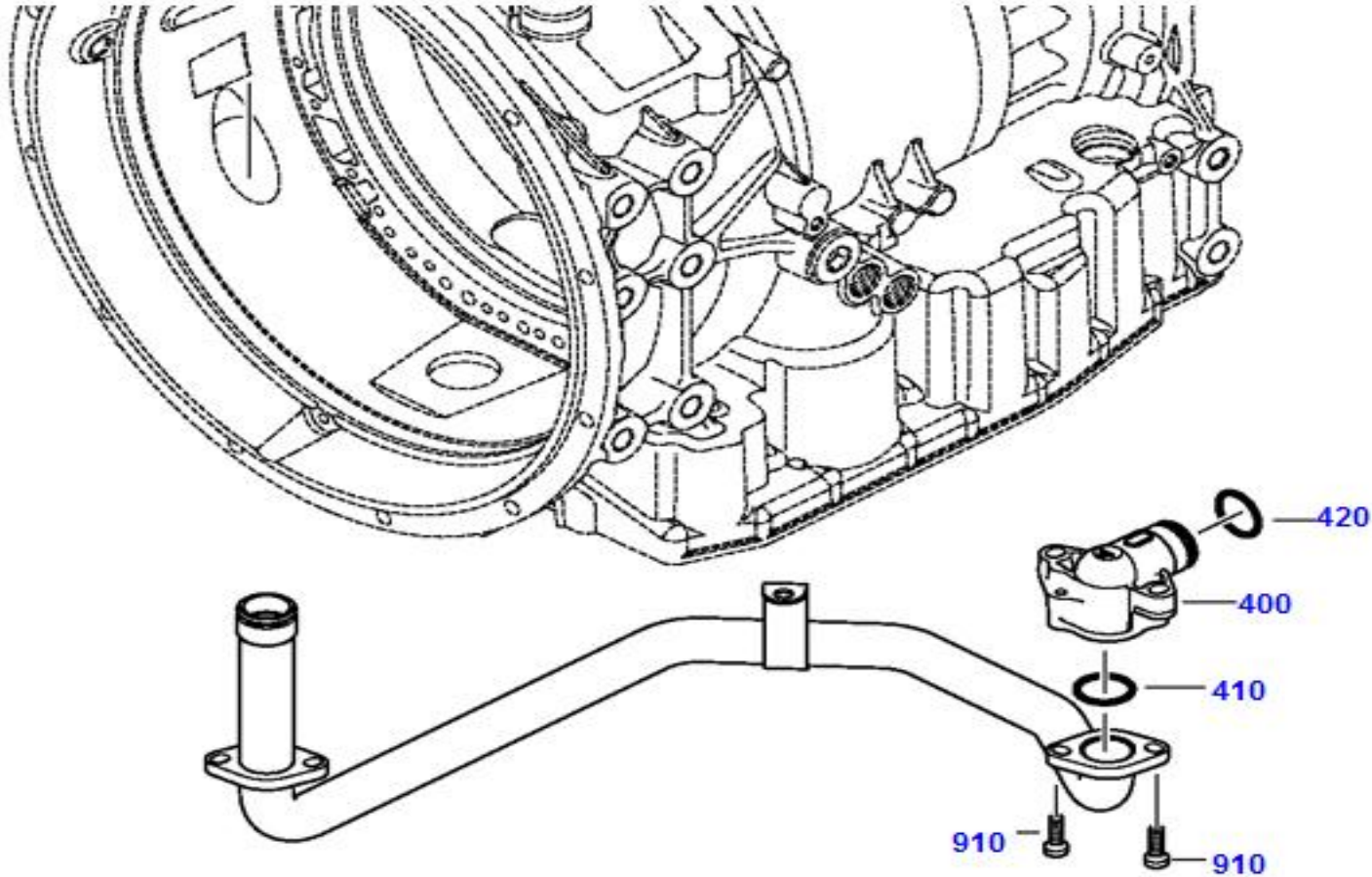
Picture No: ISZFA1009

| POZ | Part No | N.S.N | Code | Part Name (Türkçe) | Part Name (English) | Quantity |
|-------------------|--------------|-------|------|--|---------------------|----------|
| 101 | 0736.300.533 | | | <i>Auto Transmission</i> SECHSRUNDSCHR. | CAP SCREW | |
| Auto Transmission | | | | Transmission-Shift | | 0301 |

0301

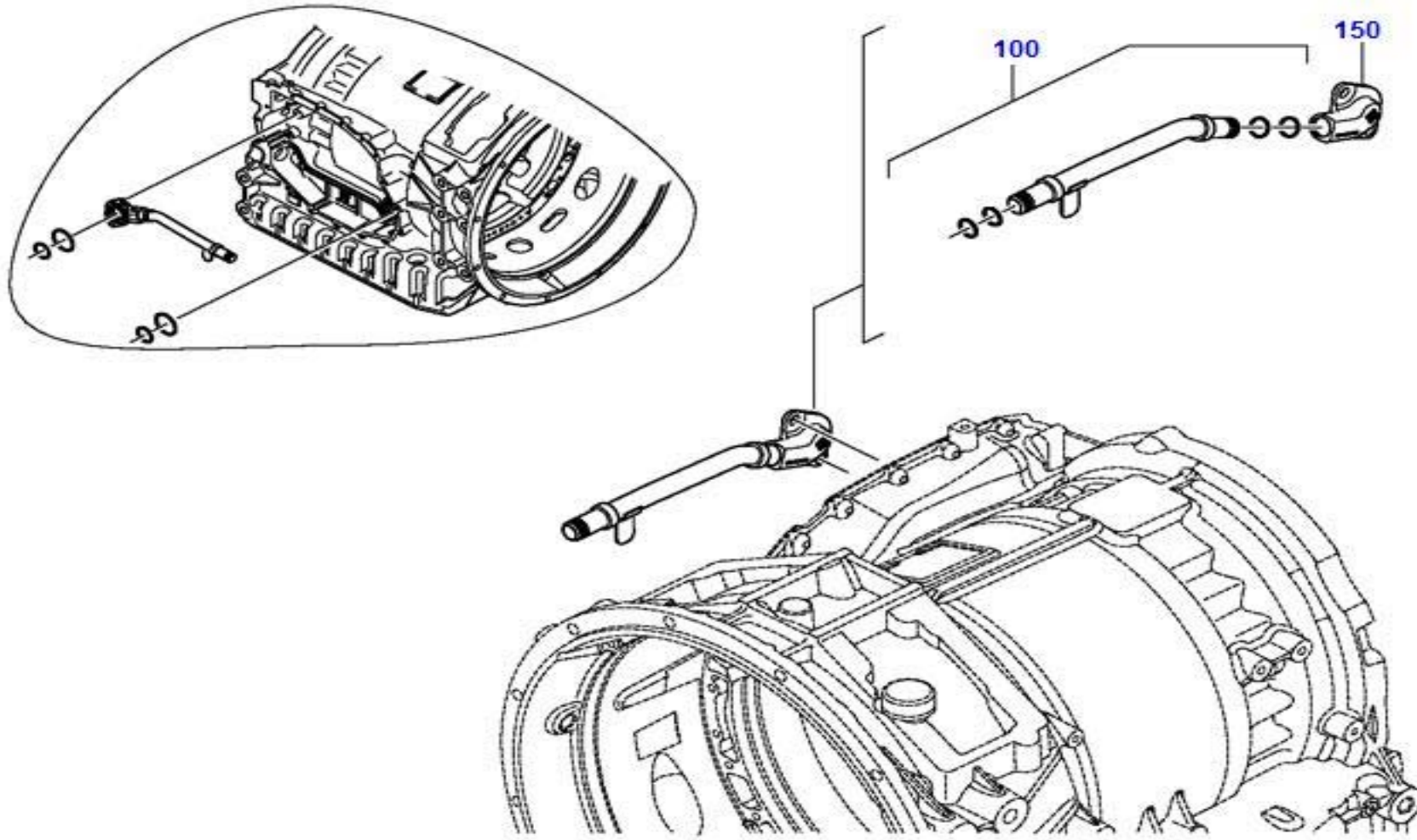
Transmission-Shift

Auto Transmission

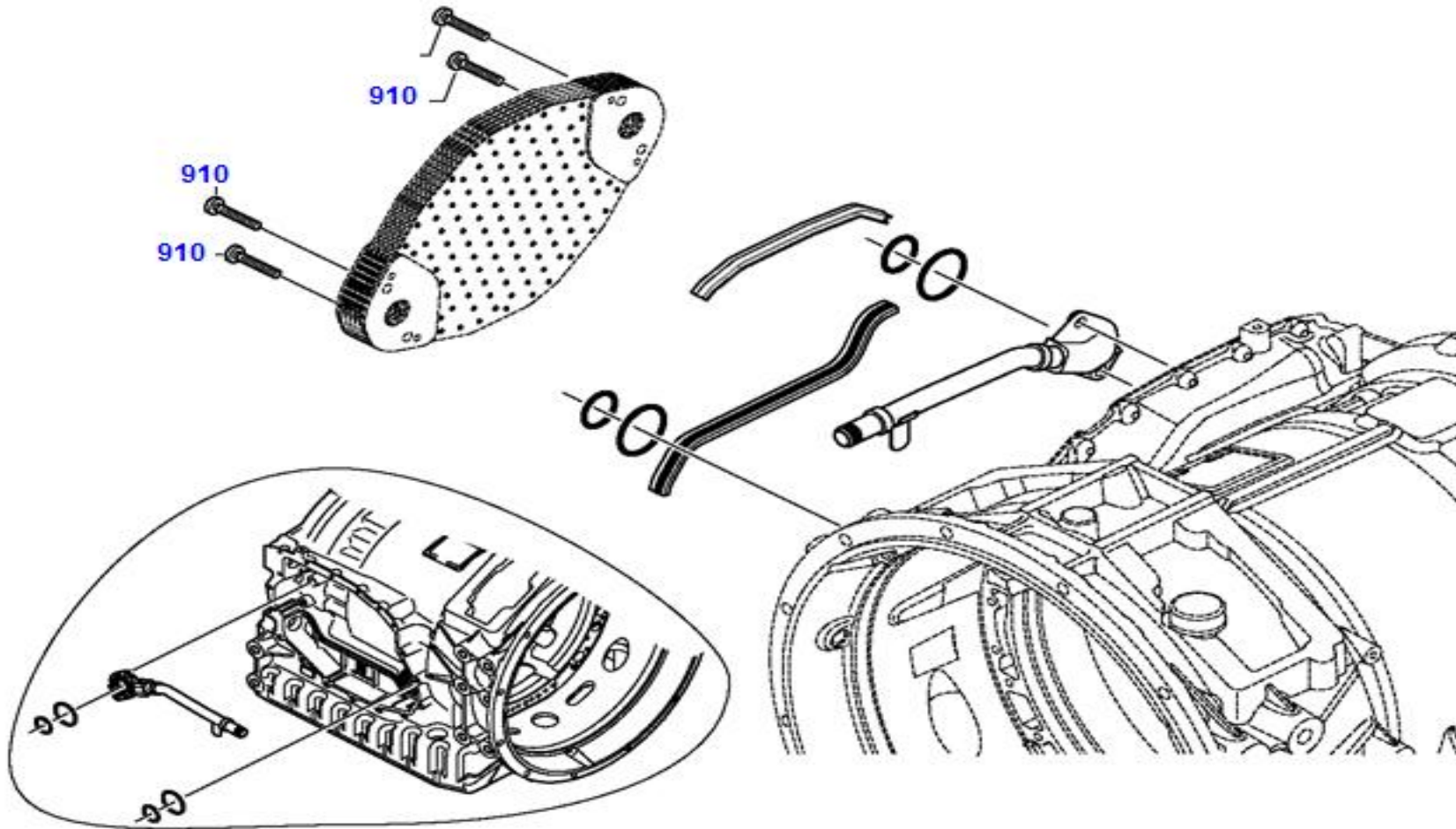


Picture No: ISZFA1010

| POZ | Part No | N.S.N | Code | Part Name (Türkçe) | Part Name (English) | Quantity |
|-----|--------------|-------|------|--------------------------|---------------------------|-------------|
| | | | | <i>Auto Transmission</i> | | |
| 400 | 4181.308.038 | | | KRUEMMER | MANIFOLD | |
| 410 | 0501.324.927 | | | O-RING | BRAKE CYLINDER | |
| 420 | 0501.322.980 | | | O-RING | BALL JOINT | |
| 910 | 0736.300.200 | | | SECHSRUNDSCHR. | CAP SCREW | |
| | | | | Auto Transmission | Transmission-Shift | 0301 |

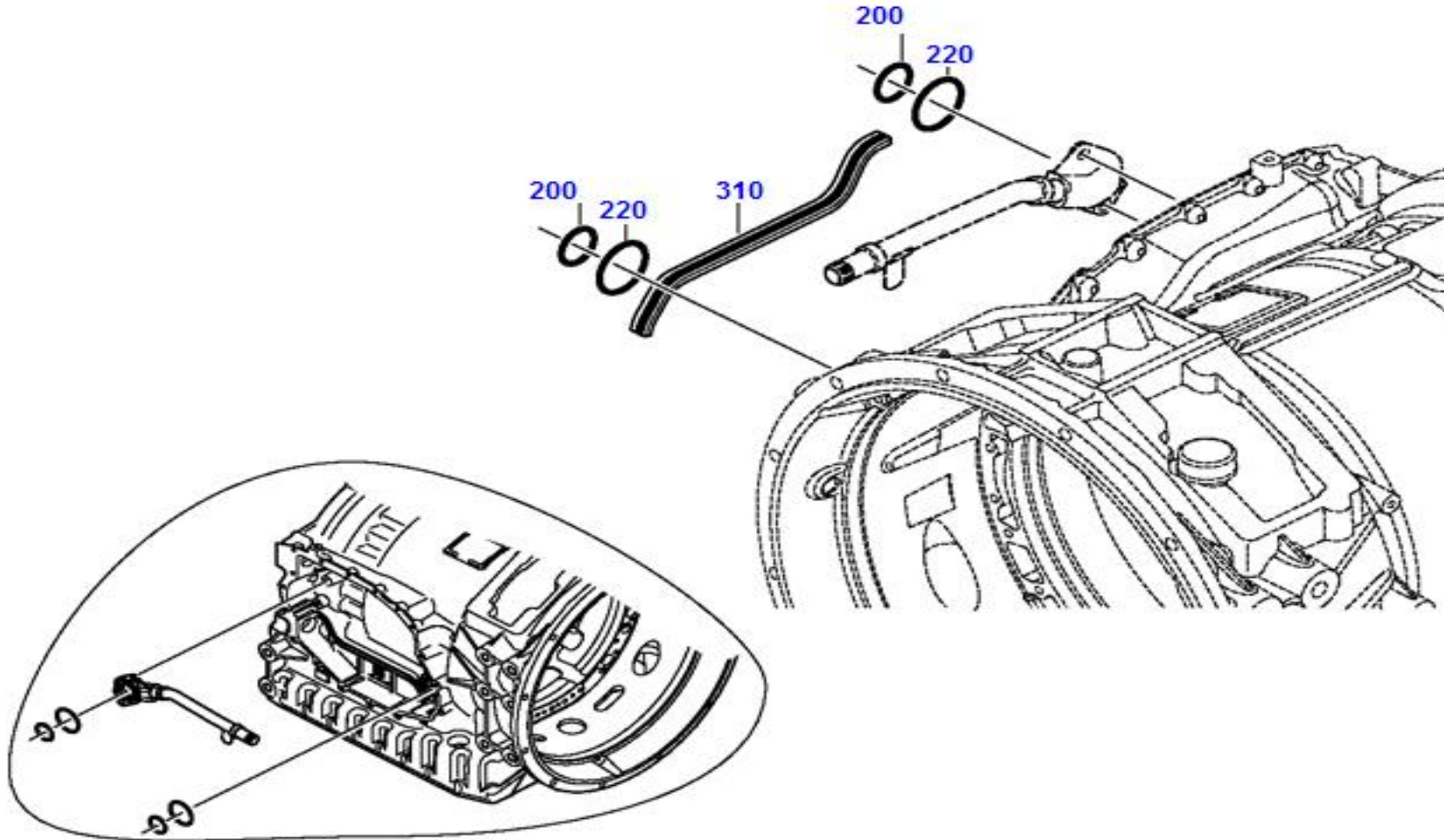
0301**Transmission-Shift****Auto Transmission**

Picture No: ISZFA1011

0301**Transmission-Shift****Auto Transmission**

Picture No: ISZFA1012

| POZ | Part No | N.S.N | Code | Part Name (Türkçe) | Part Name (English) | Quantity |
|-------------------|--------------|-------|------|-------------------------------------|---------------------|----------|
| 910 | 0736.300.201 | | | Auto Transmission SECHSRUNDSCHR. | CAP SCREW | |
| Auto Transmission | | | | Transmission-Shift | | 0301 |

0301**Transmission-Shift****Auto Transmission**

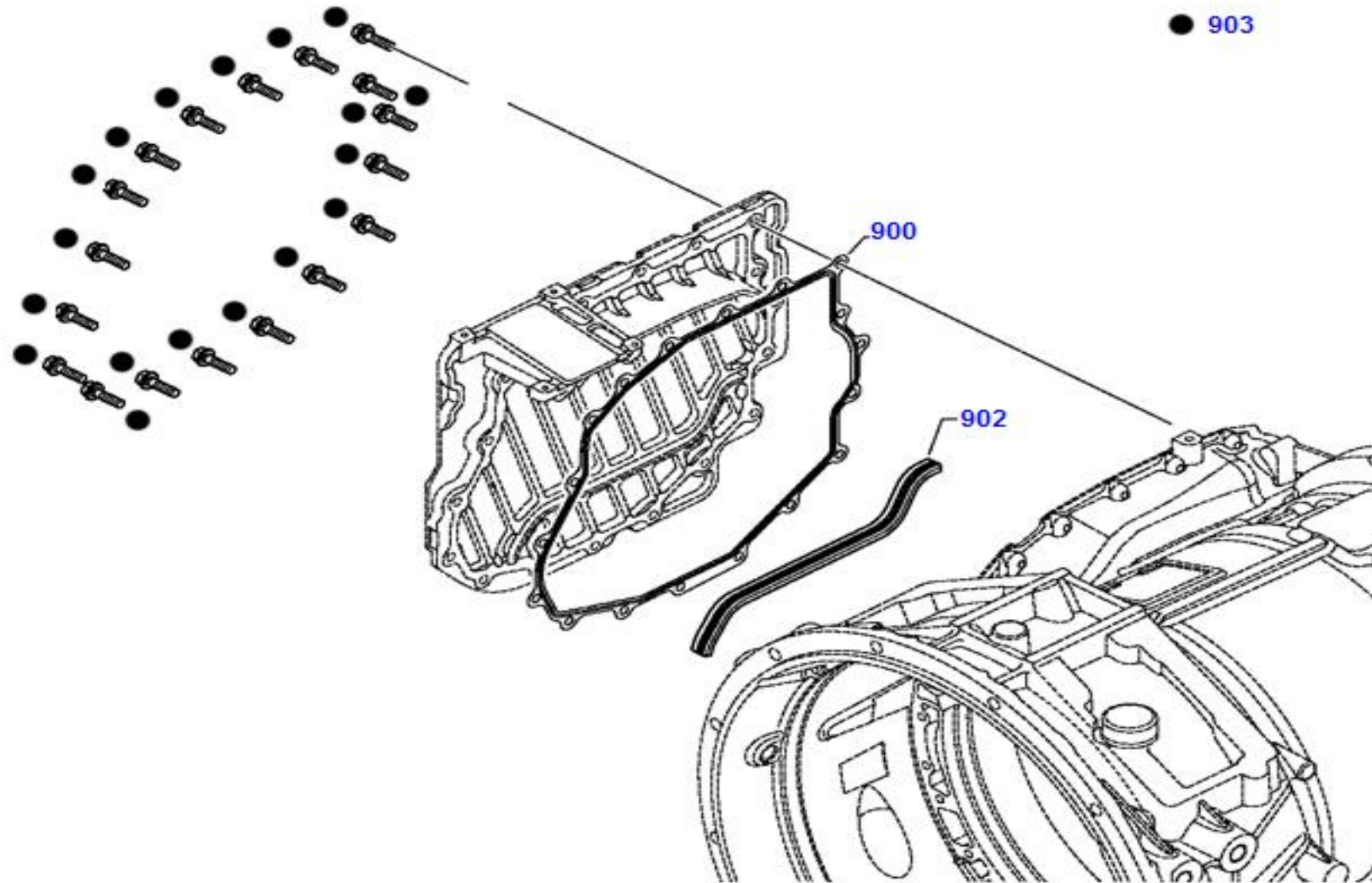
Picture No: ISZFA1013

| POZ | Part No | N.S.N | Code | Part Name (Türkçe) | Part Name (English) | Quantity |
|--------------------------|--------------|-------|------|---------------------------|----------------------|-------------|
| | | | | <i>Auto Transmission</i> | | |
| 200 | 0501.328.491 | | | PROFILE SEALING RING | PROFILE SEALING RING | |
| 220 | 0501.328.492 | | | PROFILE SEALING RING | PROFILE SEALING RING | |
| 310 | 0501.322.847 | | | DICHTUNG | BALL JOINT | |
| Auto Transmission | | | | Transmission-Shift | | 0301 |

0301

Transmission-Shift

Auto Transmission



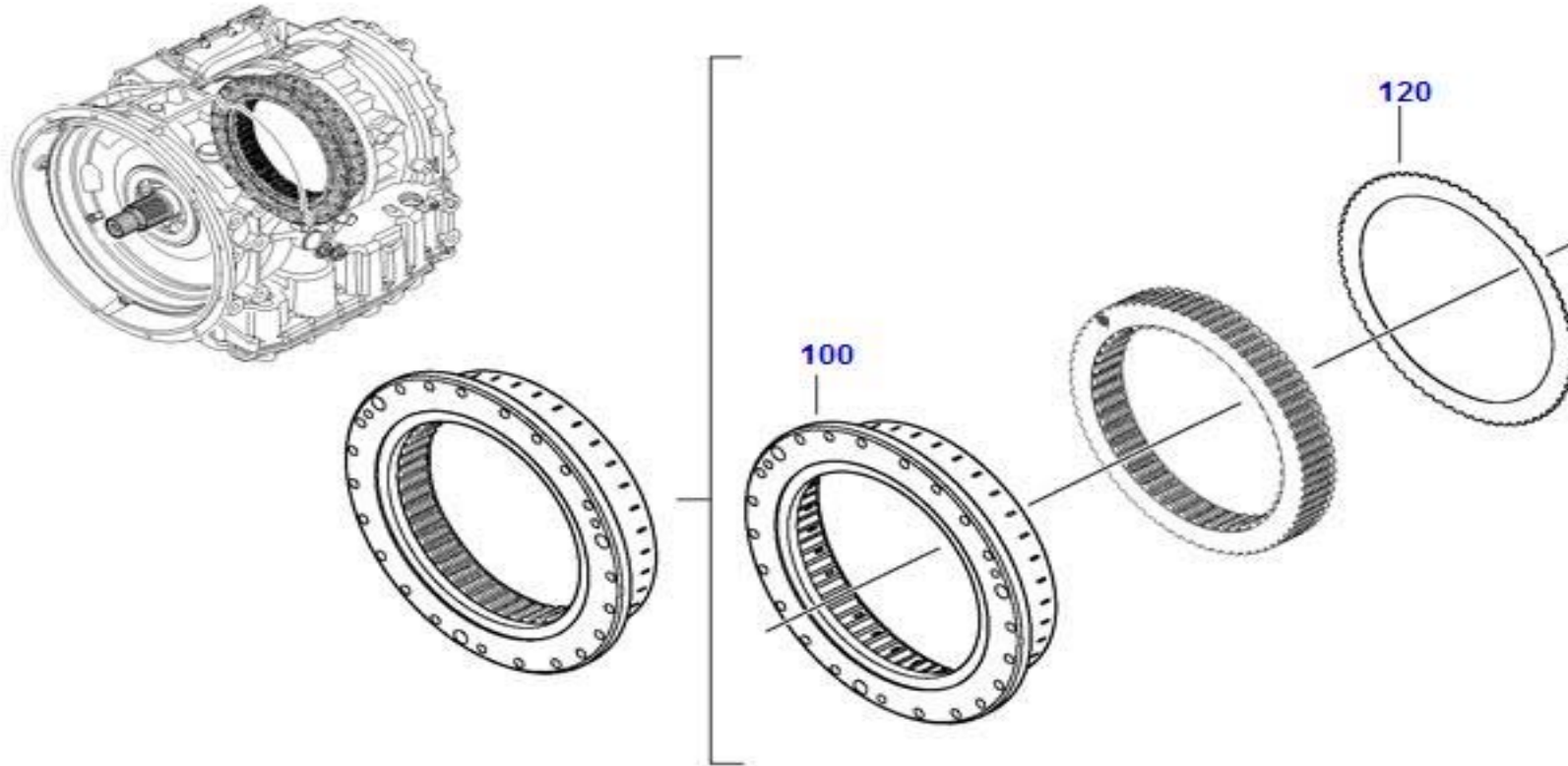
Picture No: ISZFA1014

| POZ | Part No | N.S.N | Code | Part Name (Türkçe) | Part Name (English) | Quantity |
|-------------------|--------------|-------|------|--------------------------|---------------------|----------|
| | | | | <i>Auto Transmission</i> | | |
| 900 | 0501.324.263 | | | DICHTUNG | BRAKE CYLINDER | |
| 902 | 0501.322.847 | | | DICHTUNG | BALL JOINT | |
| 903 | 0636.100.442 | | | 6KT.SCHRAUBE | CAP SCREW | |
| Auto Transmission | | | | Transmission-Shift | | 0301 |

0301

Transmission-Shift

Auto Transmission



Picture No: ISZFA1015

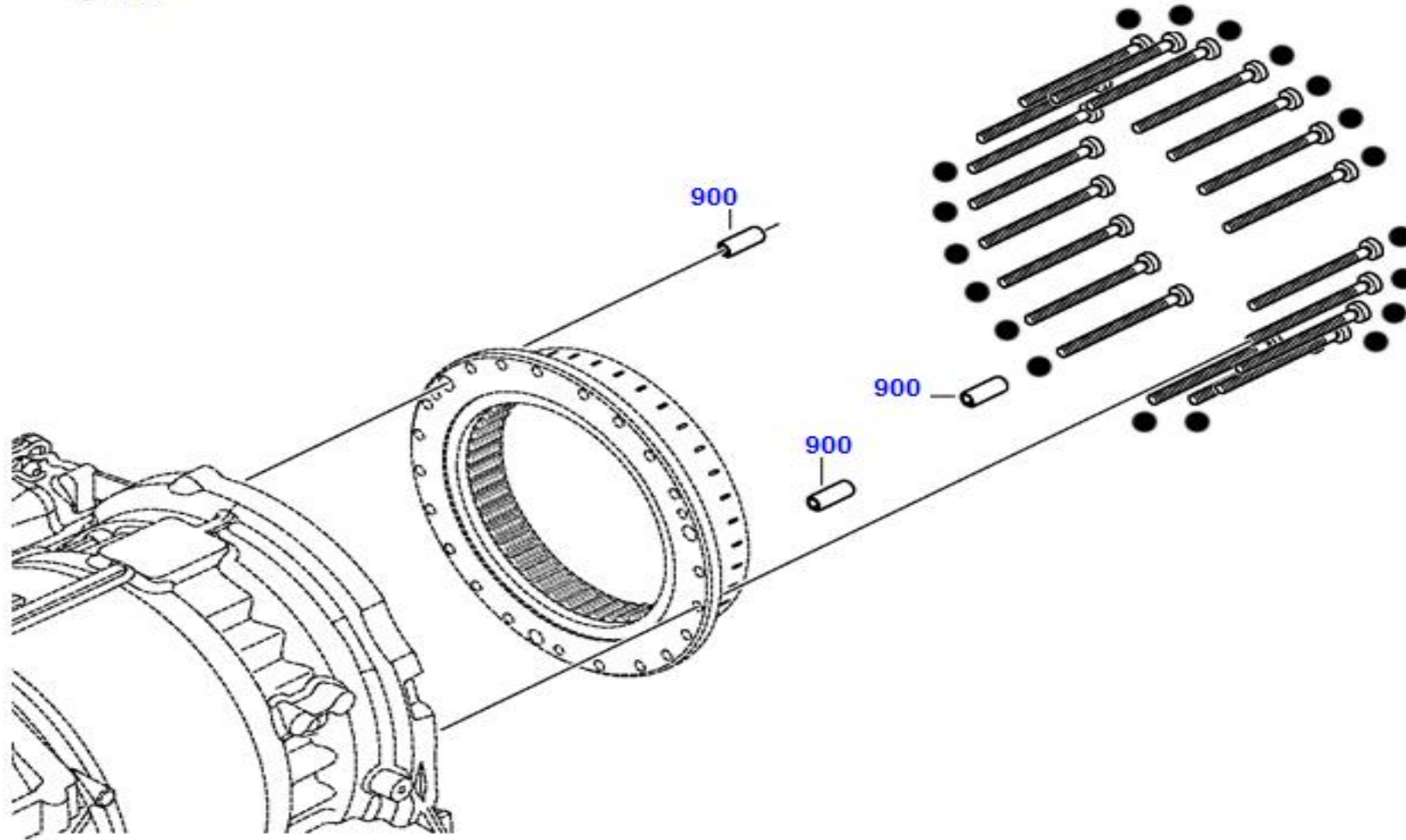
| POZ | Part No | N.S.N | Code | Part Name (Türkçe) | Part Name (English) | Quantity |
|-------------------|--------------|-------|------|--------------------------|---------------------|----------|
| | | | | <i>Auto Transmission</i> | | |
| 000 | 4181.128.010 | | | MULTIDISK PACKAGE | MULTIDISK PACKAGE | |
| 100 | 4181.290.063 | | | DISC CARRIER | DISC CARRIER | |
| 120 | 4181.303.032 | | | WELLFEDER | WAVE SPRING | |
| Auto Transmission | | | | Transmission-Shift | | 0301 |

0301

Transmission-Shift

Auto Transmission

● 910



Picture No: ISZFA1016

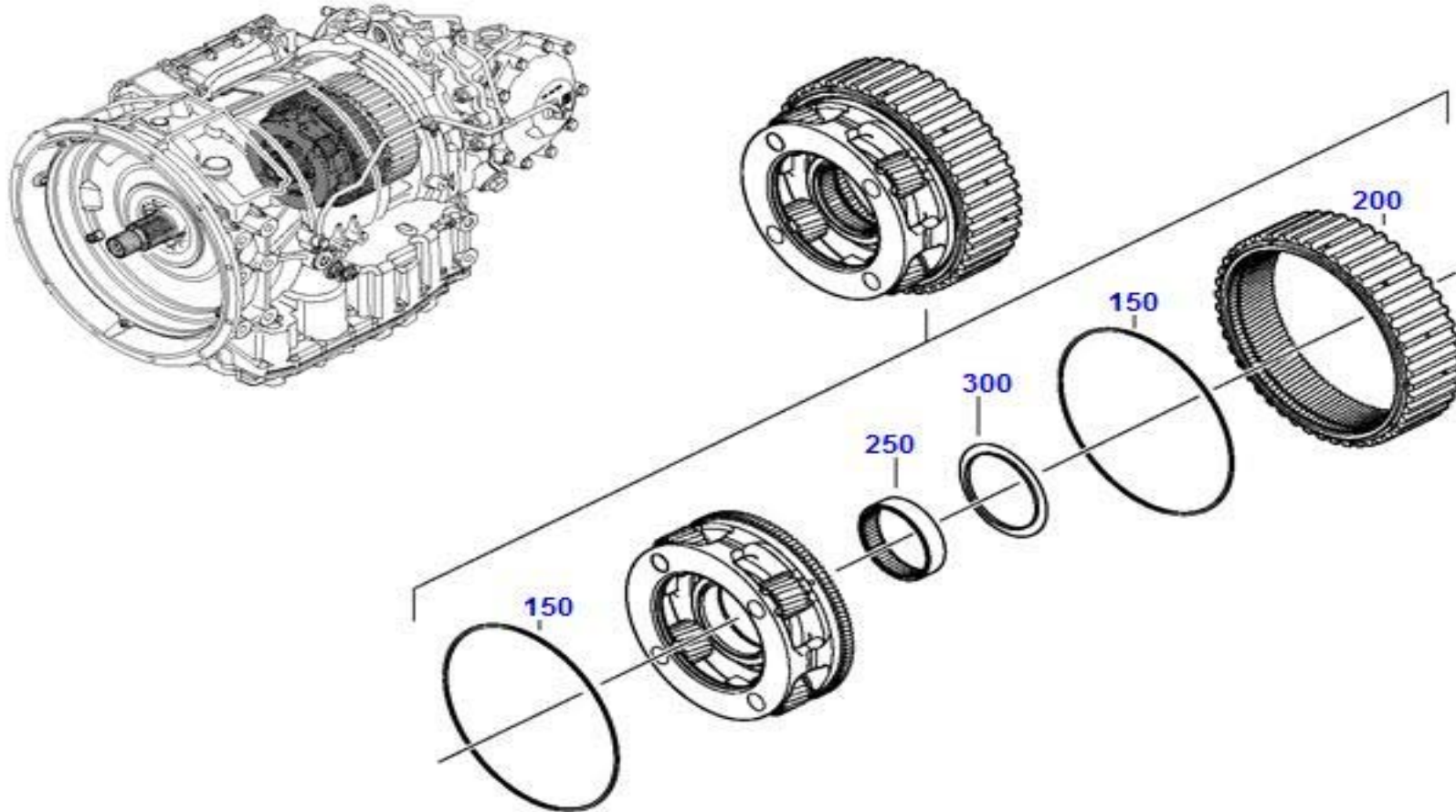


| POZ | Part No | N.S.N | Code | Part Name (Türkçe) | Part Name (English) | Quantity |
|-------------------|--------------|-------|------|--------------------------|---------------------|----------|
| | | | | <i>Auto Transmission</i> | | |
| 900 | 0501.321.982 | | | SPANNSTIFT | ANGLE DISC | |
| 910 | 0736.300.568 | | | ZYL.SCHRAUBE | CAP SCREW | |
| Auto Transmission | | | | Transmission-Shift | | 0301 |

0301

Transmission-Shift

Auto Transmission



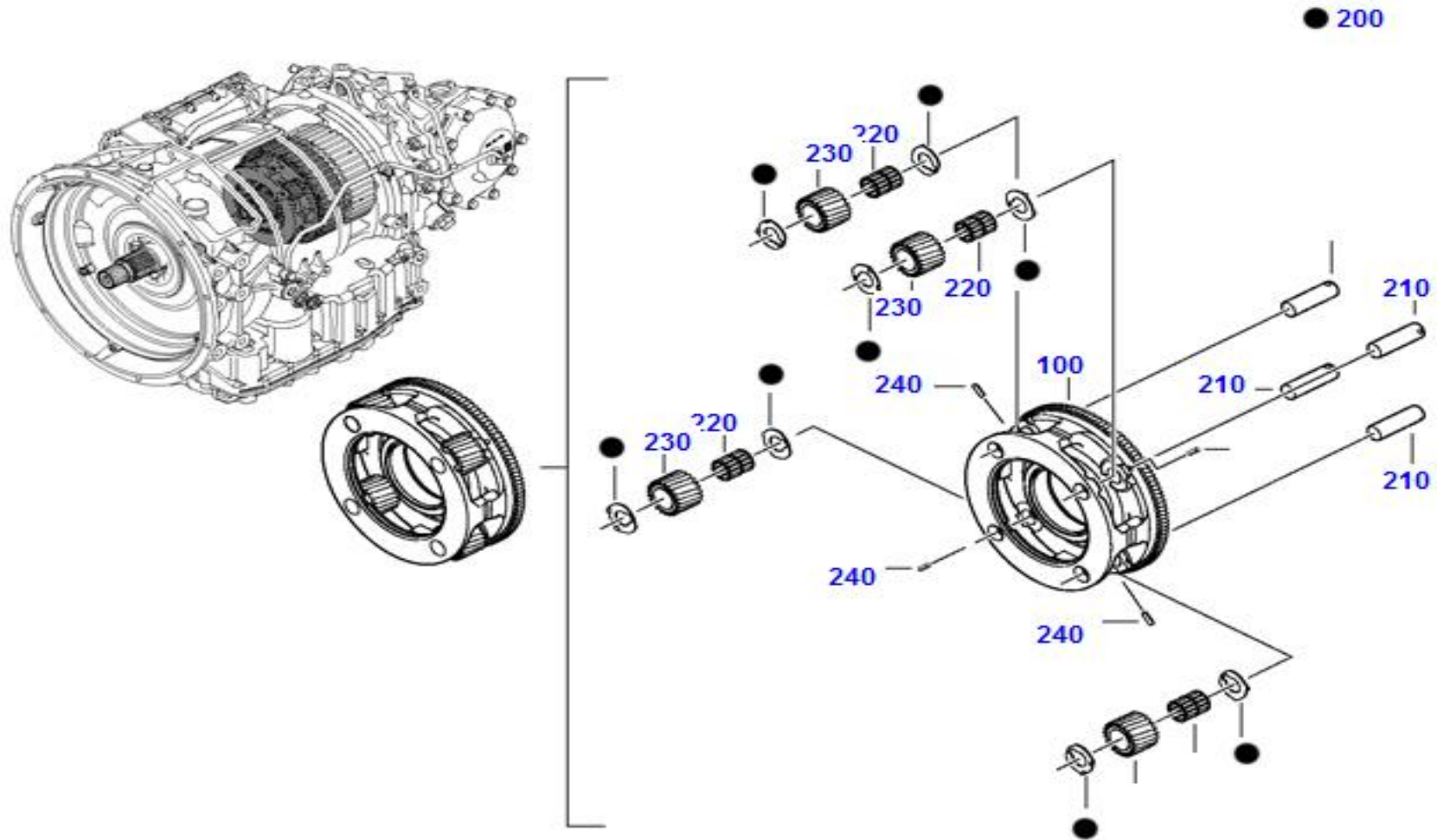
Picture No: ISZFA1017

| POZ | Part No | N.S.N | Code | Part Name (Türkçe) | Part Name (English) | Quantity |
|--------------------------|--------------|-------|------|---------------------------|---------------------|-------------|
| | | | | <i>Auto Transmission</i> | | |
| 000 | 4181.125.011 | | | PLANET CARRIER | PLANET CARRIER | |
| 150 | 0730.501.734 | | | SICHERUNGSRING | RETAINING RING | |
| 200 | 4181.322.016 | | | HOHLRAD | BEARING PIN | |
| 250 | 0735.298.323 | | | NADELHUELSE | NEEDLE SLEEVE | |
| 300 | 0501.321.433 | | | WINKELSCHEIBE | ANGLE DISC | |
| Auto Transmission | | | | Transmission-Shift | | 0301 |

0301

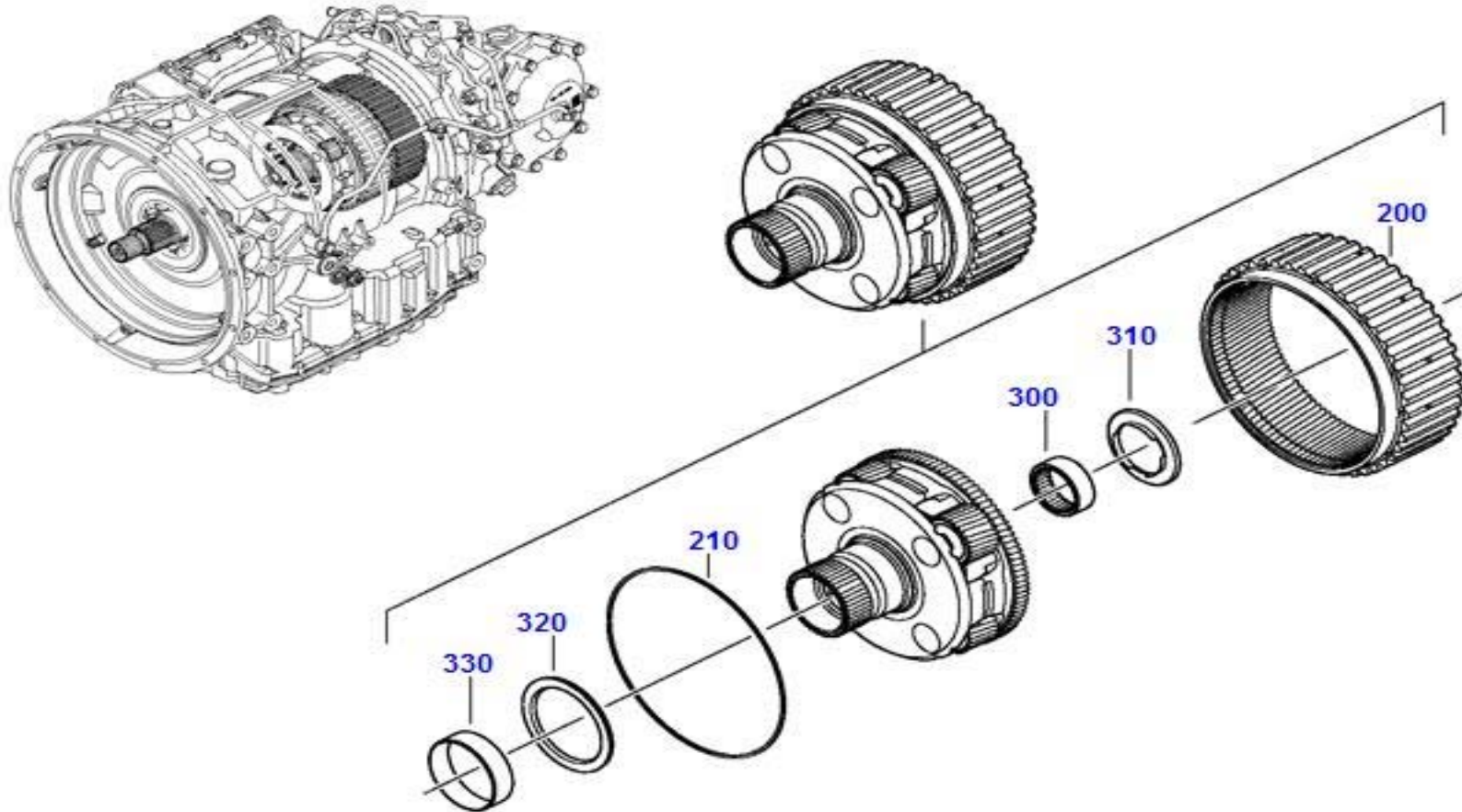
Transmission-Shift

Auto Transmission



Picture No: ISZFA1018

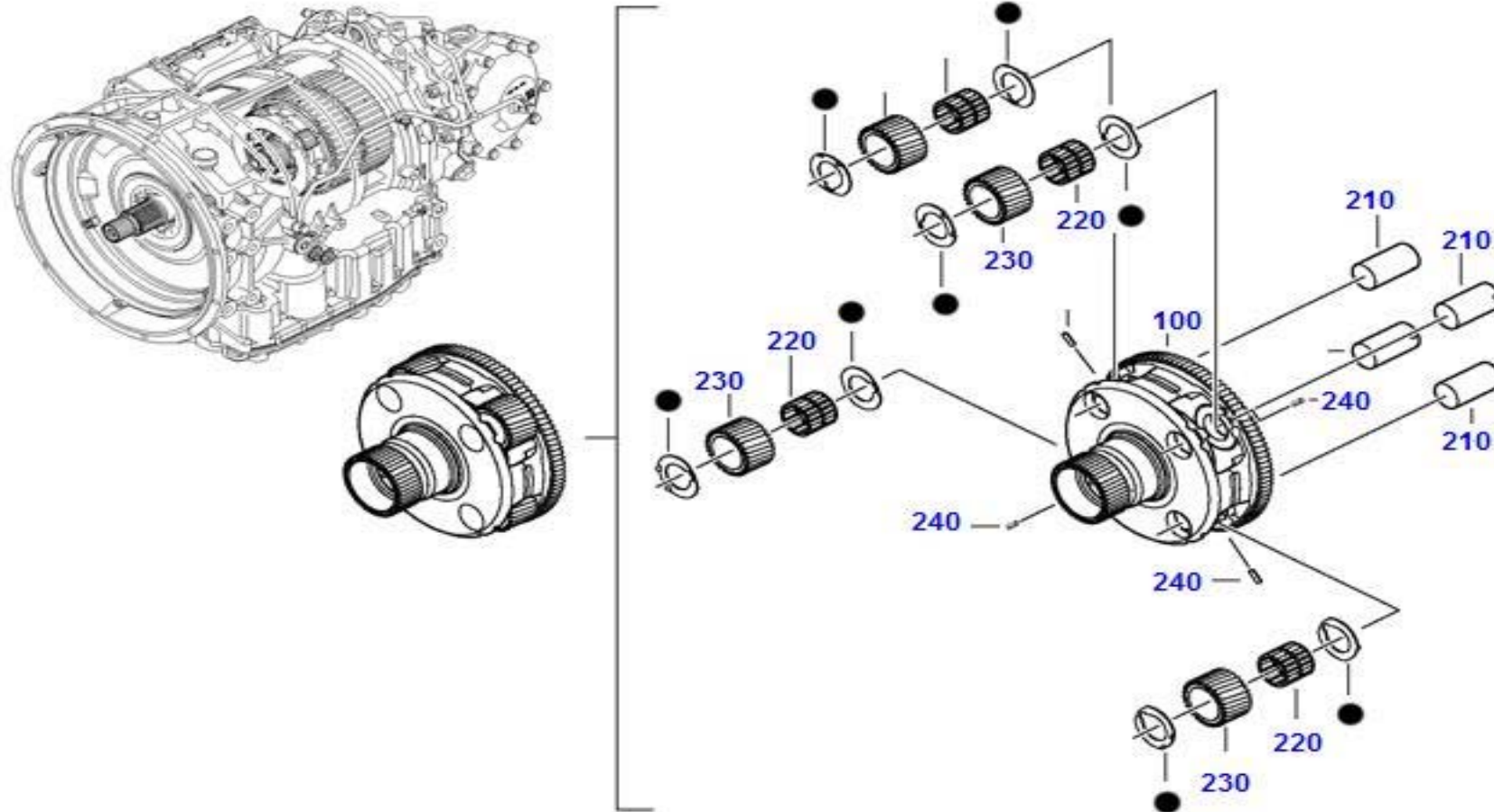
| POZ | Part No | N.S.N | Code | Part Name (Türkçe) | Part Name (English) | Quantity |
|-----|--------------|-------|------|--------------------------|---------------------------|-------------|
| | | | | <i>Auto Transmission</i> | | |
| 100 | 4181.292.017 | | | PLANETENTRAEGER | DISC CARRIER | |
| 200 | 4181.322.014 | | | ANLAUFSCHEIBE | BEARING PIN | |
| 210 | 4181.322.018 | | | LAGERBOLZEN | BEARING PIN | |
| 220 | 0735.321.565 | | | NADELKRANZ | NEEDLE CAGE | |
| 230 | 4181.325.003 | | | PLANETENRAD | PLANETARY GEAR | |
| 240 | 0631.329.046 | | | SPANNSTIFT | SLOT. PIN | |
| | | | | Auto Transmission | Transmission-Shift | 0301 |

0301**Transmission-Shift****Auto Transmission**

Picture No: ISZFA1019

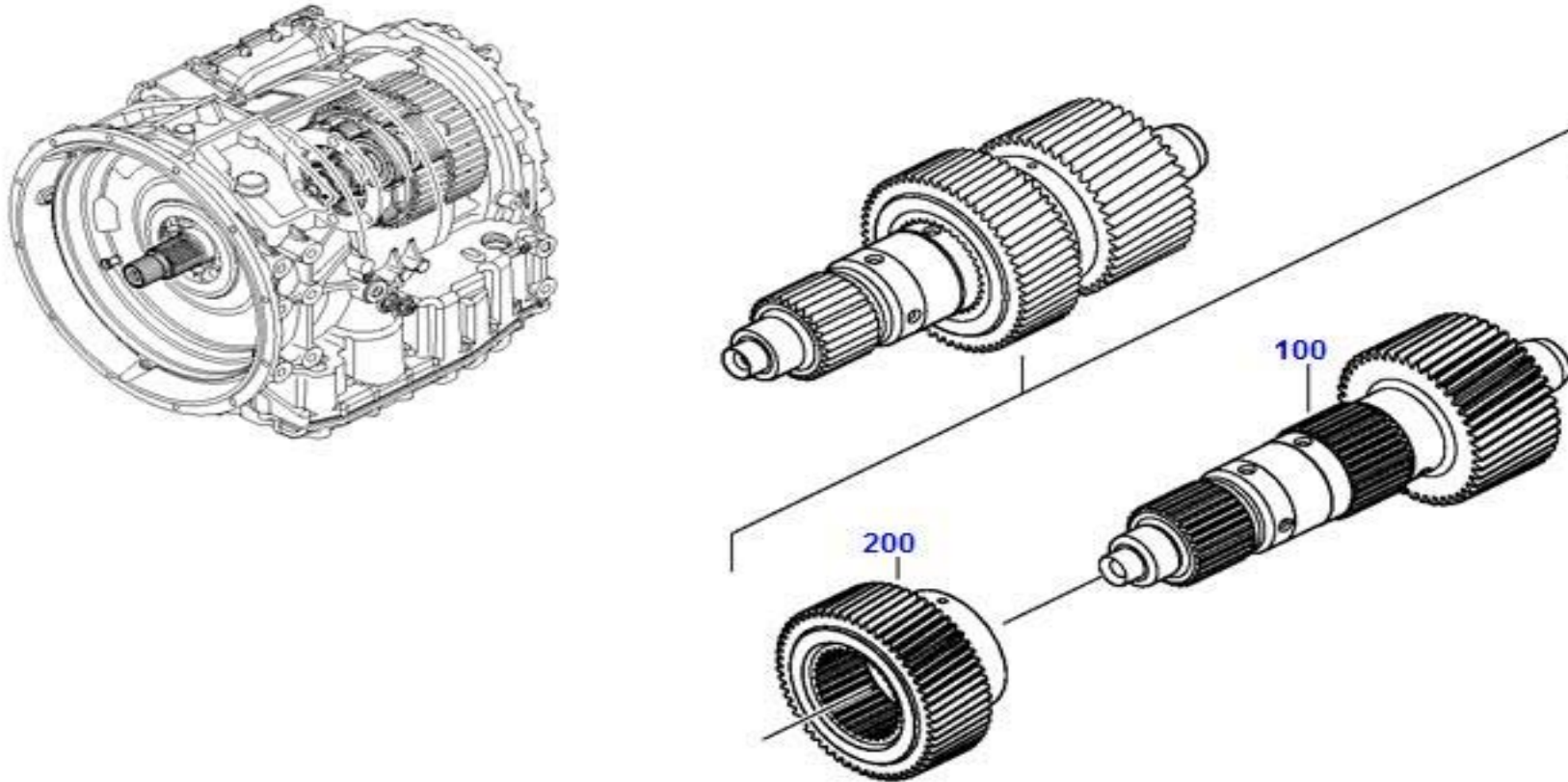


| POZ | Part No | N.S.N | Code | Part Name (Türkçe) | Part Name (English) | Quantity |
|-----|--------------|-------|------|--------------------------|---------------------------|-------------|
| | | | | <i>Auto Transmission</i> | | |
| 000 | 4181.125.015 | | | PLANET CARRIER | PLANET CARRIER | |
| 200 | 4181.323.004 | | | HOHLRAD | BEARING PIN | |
| 210 | 0730.501.734 | | | SICHERUNGSRING | RETAINING RING | |
| 300 | 0750.115.996 | | | NEEDLE SLEEVE | NEEDLE SLEEVE | |
| 310 | 0735.368.278 | | | AXIALNADELLAGER | AXIAL NEEDLE BEARING | |
| 320 | 0735.368.151 | | | AXIALNADELLAGER | AXIAL NEEDLE BEARING | |
| 330 | 0735.295.234 | | | HUELSE | SLEEVE | |
| | | | | Auto Transmission | Transmission-Shift | 0301 |

0301**Transmission-Shift****Auto Transmission**

Picture No: ISZFA1020

| POZ | Part No | N.S.N | Code | Part Name (Türkçe) | Part Name (English) | Quantity |
|--------------------------|--------------|-------|------|---------------------------|---------------------|-------------|
| | | | | <i>Auto Transmission</i> | | |
| 100 | 4181.292.021 | | | PLANETENTRAEGER | DISC CARRIER | |
| 200 | 4181.323.013 | | | ANLAUFSCHIEBE | BEARING PIN | |
| 210 | 4181.323.014 | | | LAGERBOLZEN | BEARING PIN | |
| 220 | 0735.321.567 | | | NADELKRANZ | NEEDLE CAGE | |
| 230 | 4181.325.004 | | | PLANETENRAD | PLANETARY GEAR | |
| 240 | 0501.322.731 | | | SPANNSTIFT | BALL JOINT | |
| Auto Transmission | | | | Transmission-Shift | | 0301 |

0301**Transmission-Shift****Auto Transmission**

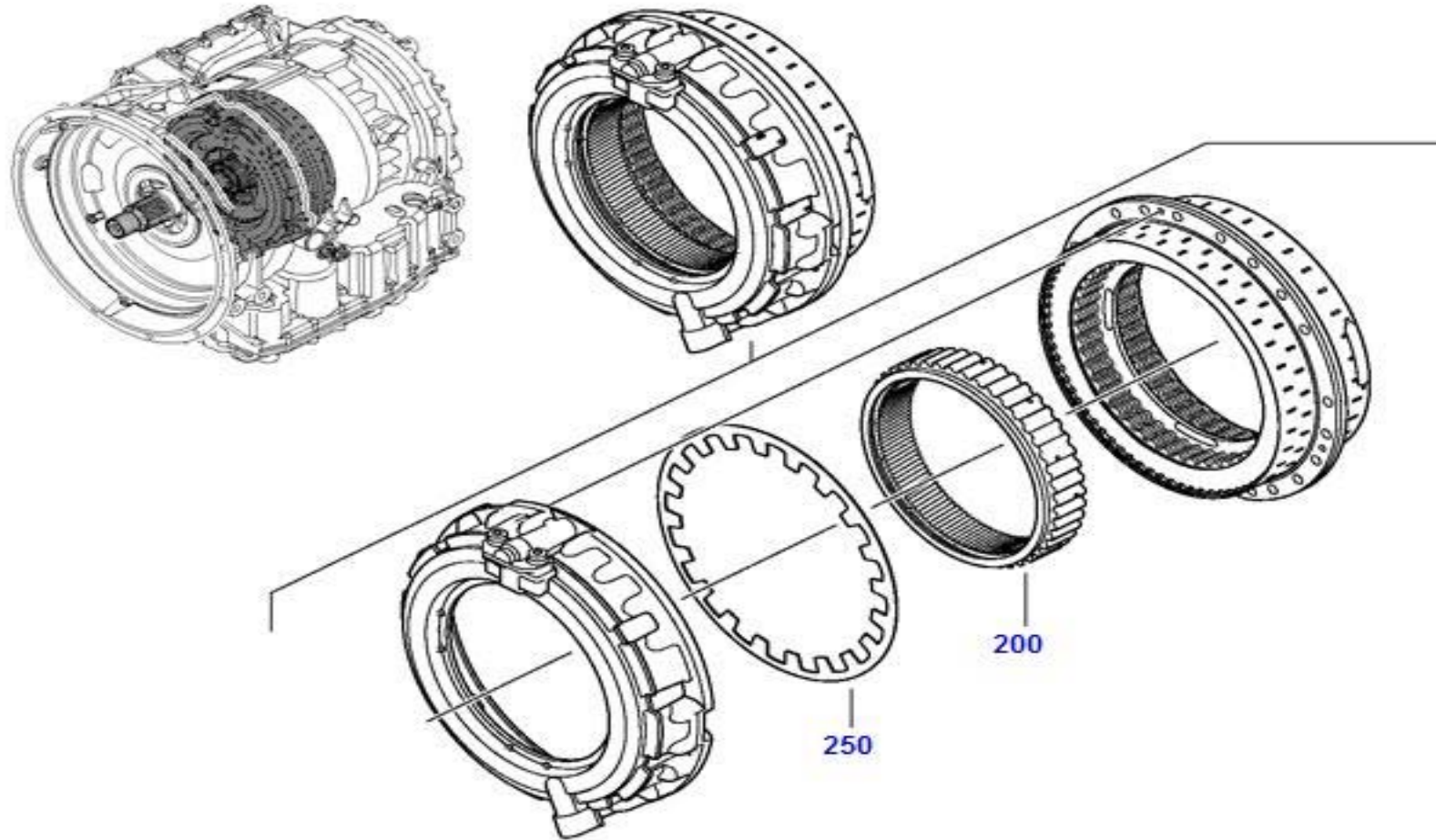
Picture No: ISZFA1021

| POZ | Part No | N.S.N | Code | Part Name (Türkçe) | Part Name (English) | Quantity |
|--------------------------|--------------|-------|------|---------------------------|---------------------|----------|
| | | | | <i>Auto Transmission</i> | | |
| 100 | 4181.324.006 | | | ANTRIEBSWELLE | INPUT SHAFT | |
| 200 | 4181.324.007 | | | SONNENRAD | INPUT SHAFT | |
| Auto Transmission | | | | | | |
| | | | | Transmission-Shift | 0301 | |

0301

Transmission-Shift

Auto Transmission



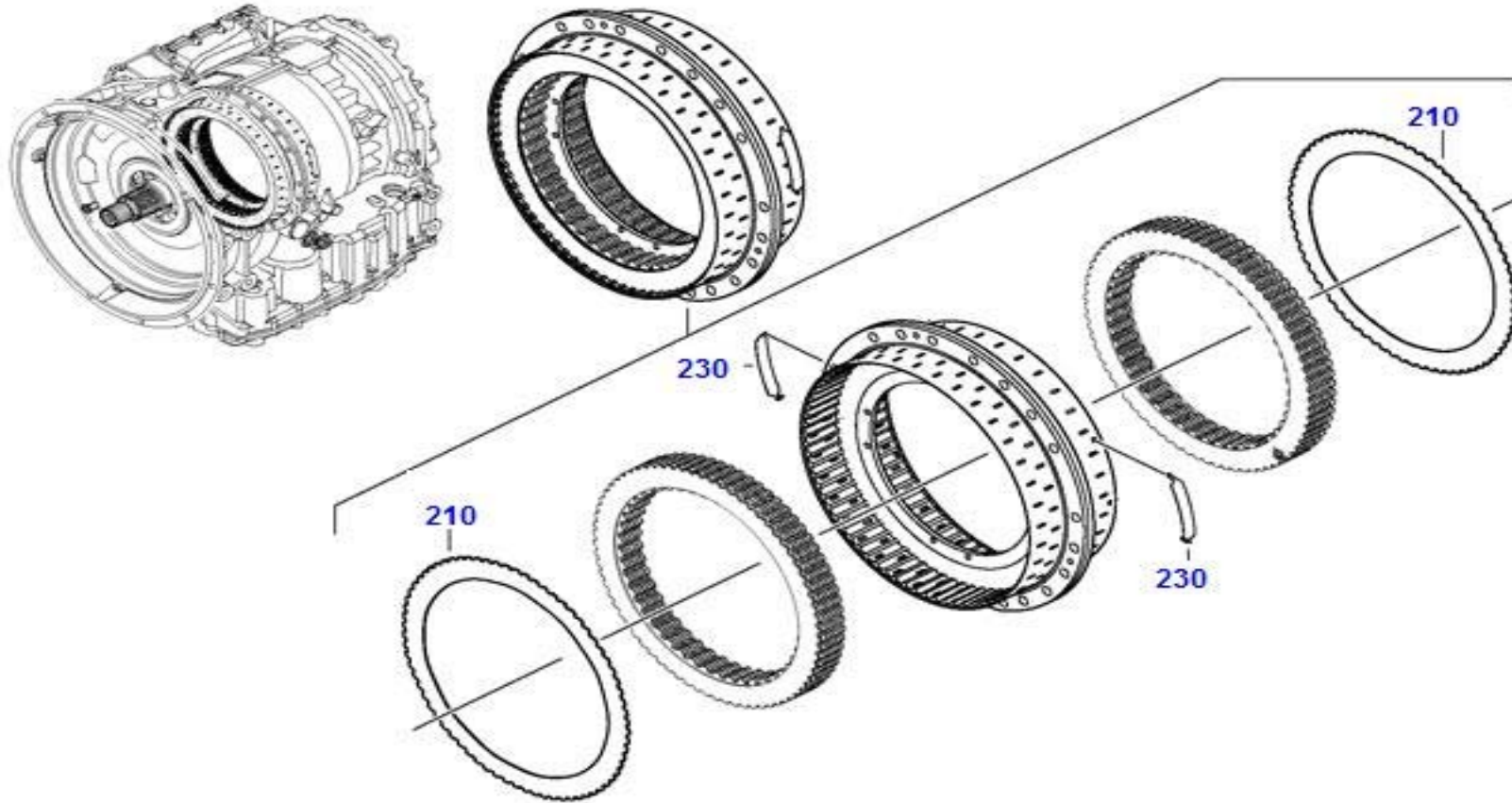
Picture No: ISZFA1022

| POZ | Part No | N.S.N | Code | Part Name (Türkçe) | Part Name (English) | Quantity |
|--------------------------|--------------|-------|------|---------------------------|---------------------|-------------|
| | | | | <i>Auto Transmission</i> | | |
| 000 | 4181.127.052 | | | DISC CARRIER | DISC CARRIER | |
| 000 | 4181.129.052 | | | PISTON SUPPORT | PISTON SUPPORT | |
| 000 | 4181.129.802 | | | PISTON SUPPORT | PISTON SUPPORT | |
| 200 | 4181.326.004 | | | RING GEAR | RING GEAR | |
| 250 | 0501.322.620 | | | TELLERFEDER | BALL JOINT | |
| Auto Transmission | | | | Transmission-Shift | | 0301 |

0301

Transmission-Shift

Auto Transmission



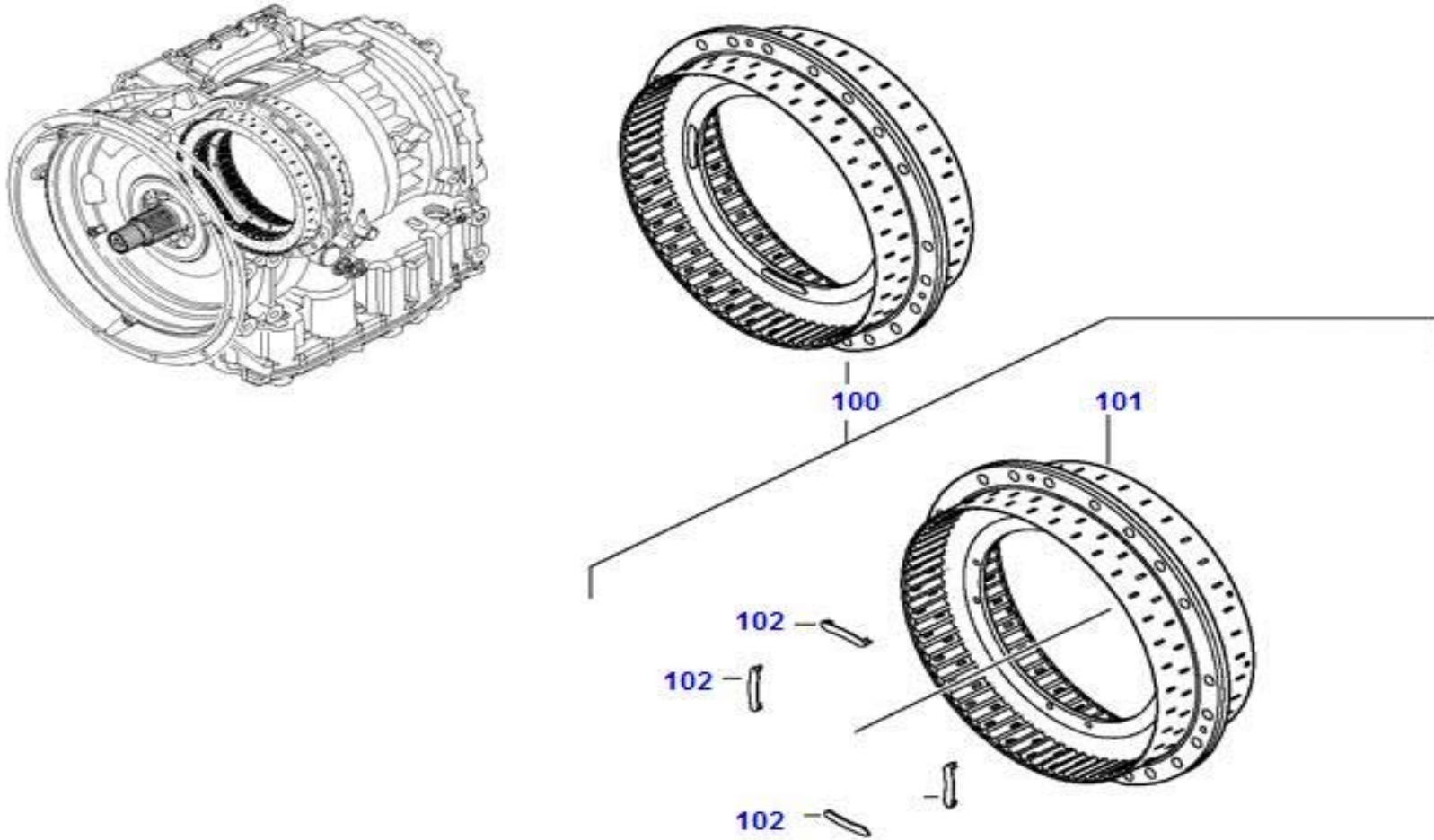
Picture No: ISZFA1023

| POZ | Part No | N.S.N | Code | Part Name (Türkçe) | Part Name (English) | Quantity |
|--------------------------|--------------|-------|------|---------------------------|---------------------|-------------|
| | | | | <i>Auto Transmission</i> | | |
| 000 | 4181.128.011 | | | MULTIDISK PACKAGE | MULTIDISK PACKAGE | |
| 210 | 4181.327.001 | | | WELLFEDER | SEGMENT | |
| 230 | 0501.322.702 | | | HALTEKLAMMER | BALL JOINT | |
| Auto Transmission | | | | Transmission-Shift | | 0301 |

0301

Transmission-Shift

Auto Transmission



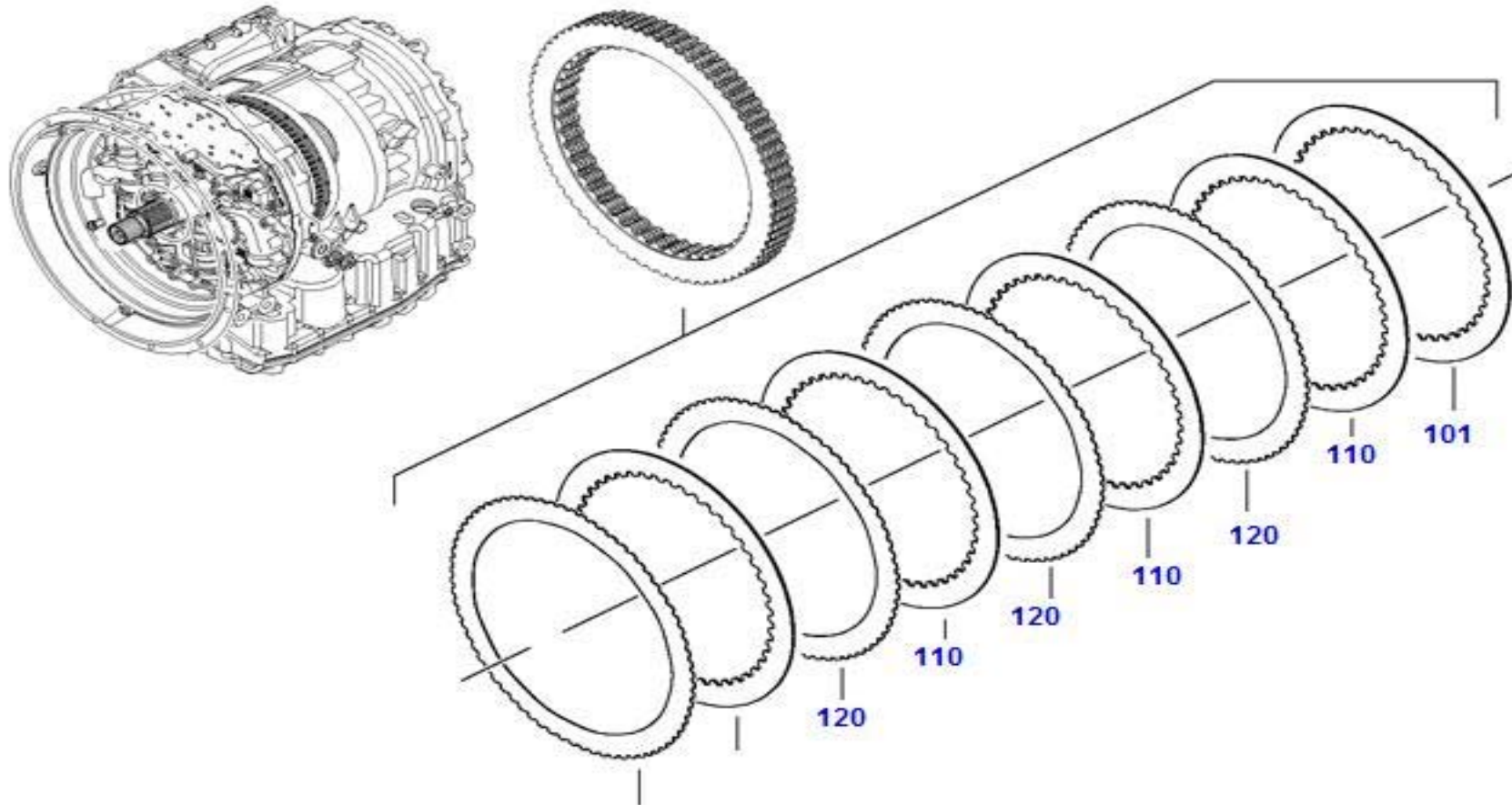
Picture No: ISZFA1024

| POZ | Part No | N.S.N | Code | Part Name (Türkçe) | Part Name (English) | Quantity |
|-------------------|--------------|-------|------|--------------------------|---------------------|----------|
| | | | | <i>Auto Transmission</i> | | |
| 100 | 4181.227.004 | | | LAMELLENTRAEGER | DISC CARRIER | |
| 101 | 4181.292.027 | | | DISC CARRIER | DISC CARRIER | |
| 102 | 4181.327.002 | | | SEGMENT | SEGMENT | |
| Auto Transmission | | | | Transmission-Shift | | 0301 |

0301

Transmission-Shift

Auto Transmission



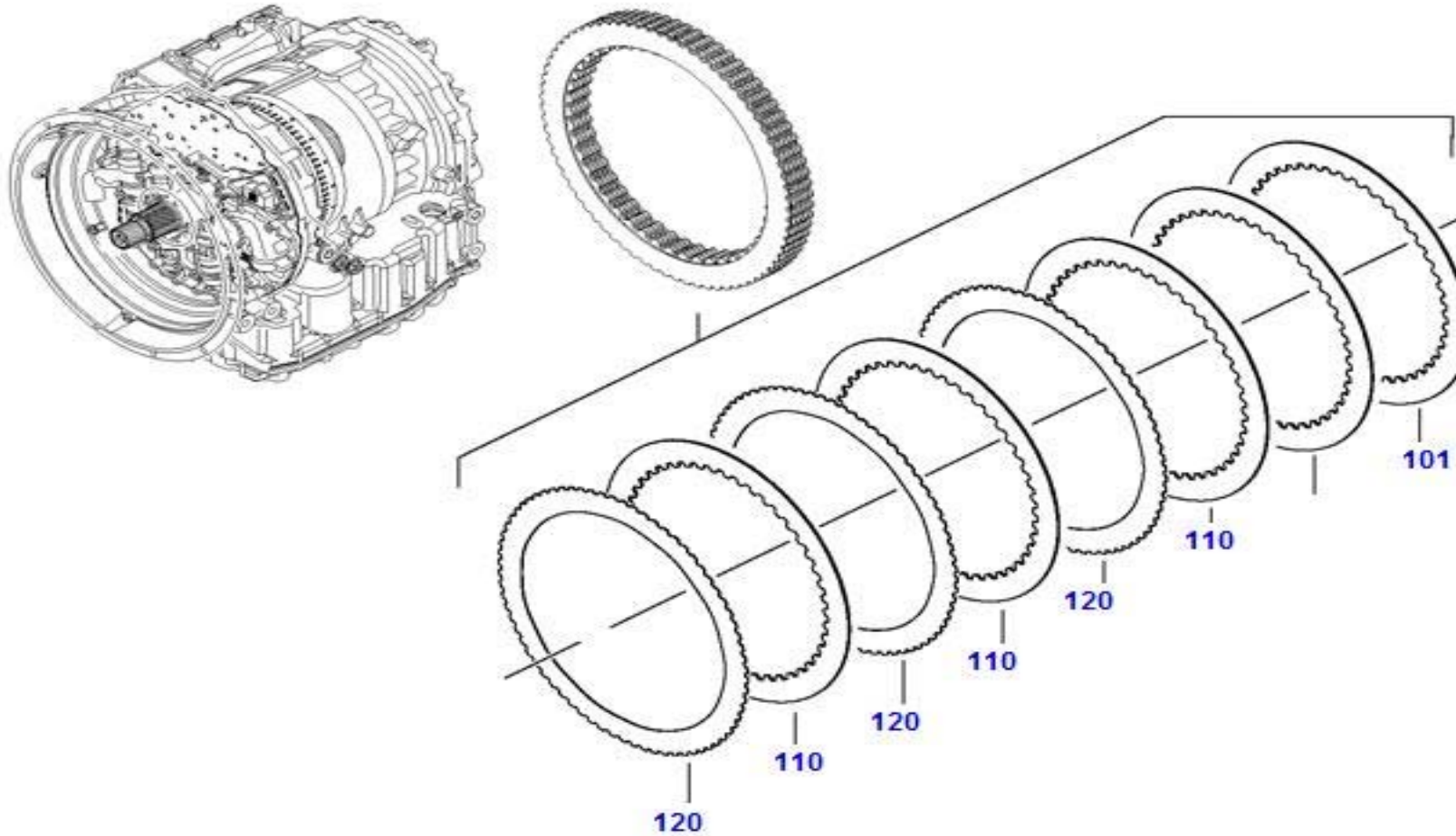
Picture No: ISZFA1025

| POZ | Part No | N.S.N | Code | Part Name (Türkçe) | Part Name (English) | Quantity |
|--------------------------|--------------|-------|------|---------------------------|---------------------|-------------|
| | | | | <i>Auto Transmission</i> | | |
| 101 | 4181.328.015 | | | WASHER | WASHER | |
| 101 | 4181.328.016 | | | WASHER | WASHER | |
| 101 | 4181.328.017 | | | WASHER | WASHER | |
| 110 | 4181.292.032 | | | BELAGLAMELLE | DISC CARRIER | |
| 120 | 4181.292.033 | | | BELAGLAMELLE | DISC CARRIER | |
| Auto Transmission | | | | Transmission-Shift | | 0301 |

0301

Transmission-Shift

Auto Transmission



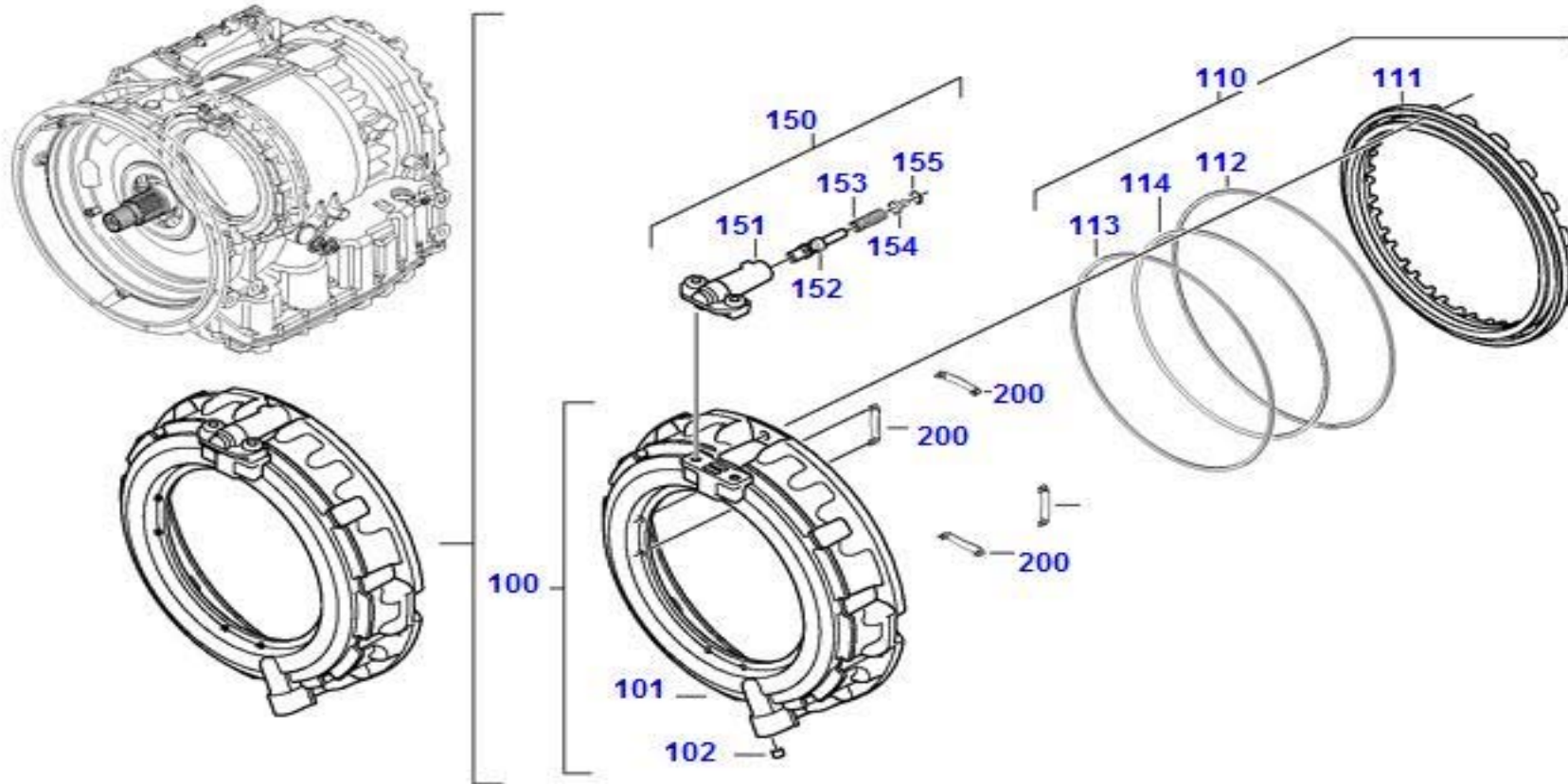
Picture No: ISZFA1026

| POZ | Part No | N.S.N | Code | Part Name (Türkçe) | Part Name (English) | Quantity |
|--------------------------|--------------|-------|------|---------------------------|---------------------|-------------|
| | | | | <i>Auto Transmission</i> | | |
| 101 | 4181.328.015 | | | WASHER | WASHER | |
| 101 | 4181.328.016 | | | WASHER | WASHER | |
| 101 | 4181.328.017 | | | WASHER | WASHER | |
| 110 | 4181.292.032 | | | BELAGLAMELLE | DISC CARRIER | |
| 120 | 4181.292.033 | | | BELAGLAMELLE | DISC CARRIER | |
| Auto Transmission | | | | Transmission-Shift | | 0301 |

0301

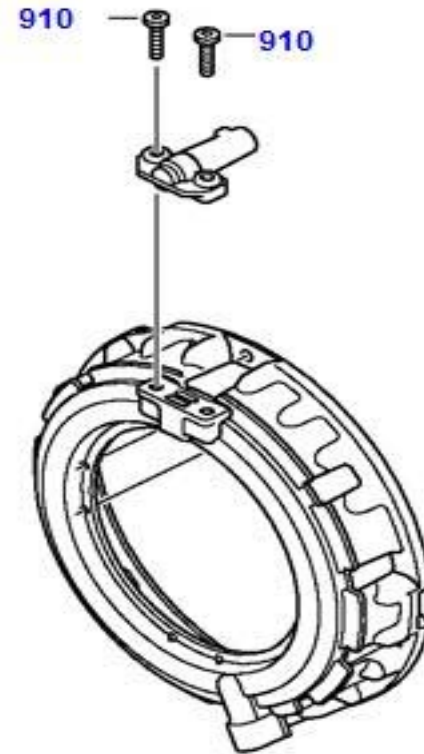
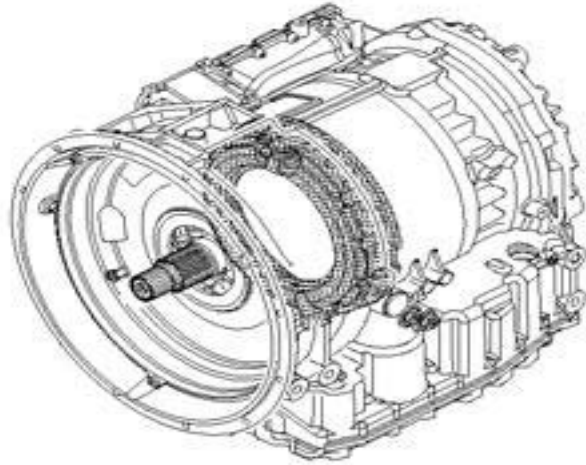
Transmission-Shift

Auto Transmission



Picture No: ISZFA1027

| POZ | Part No | N.S.N | Code | Part Name (Türkçe) | Part Name (English) | Quantity |
|-----|--------------|-------|------|--------------------------|---------------------------|-------------|
| | | | | <i>Auto Transmission</i> | | |
| 000 | 4181.129.801 | | | CHANGE OVER VALVE | CHANGE OVER VALVE | |
| 100 | 4181.229.050 | | | KOLBENTRAEGER | CHANGE OVER VALVE | |
| 101 | 4181.329.001 | | | KOLBENTRAEGER | PISTON | |
| 102 | 0631.405.052 | | | VERSCHL.STOPFEN | PLUG | |
| 110 | 4181.229.052 | | | KOLBEN | CHANGE OVER VALVE | |
| 111 | 4181.329.003 | | | KOLBEN | PISTON | |
| 112 | 0501.324.126 | | | DICHTRING | BRAKE CYLINDER | |
| 113 | 0501.324.125 | | | DICHTRING | BRAKE CYLINDER | |
| 114 | 0501.324.123 | | | DICHTRING | BRAKE CYLINDER | |
| 150 | 4181.229.016 | | | UMSCHALTVENTIL | CHANGE OVER VALVE | |
| 151 | 4181.329.038 | | | VALVE HOUSING | VALVE HOUSING | |
| 152 | 4181.329.040 | | | PISTON | PISTON | |
| 153 | 0732.042.940 | | | COMPRESSION SPRING | COMPRESSION SPRING | |
| 154 | 4181.329.022 | | | PISTON | PISTON | |
| 155 | 0630.502.003 | | | RETAINING RING | RETAINING RING | |
| 200 | 4181.327.002 | | | SEGMENT | SEGMENT | |
| | | | | Auto Transmission | Transmission-Shift | 0301 |

0301**Transmission-Shift****Auto Transmission**

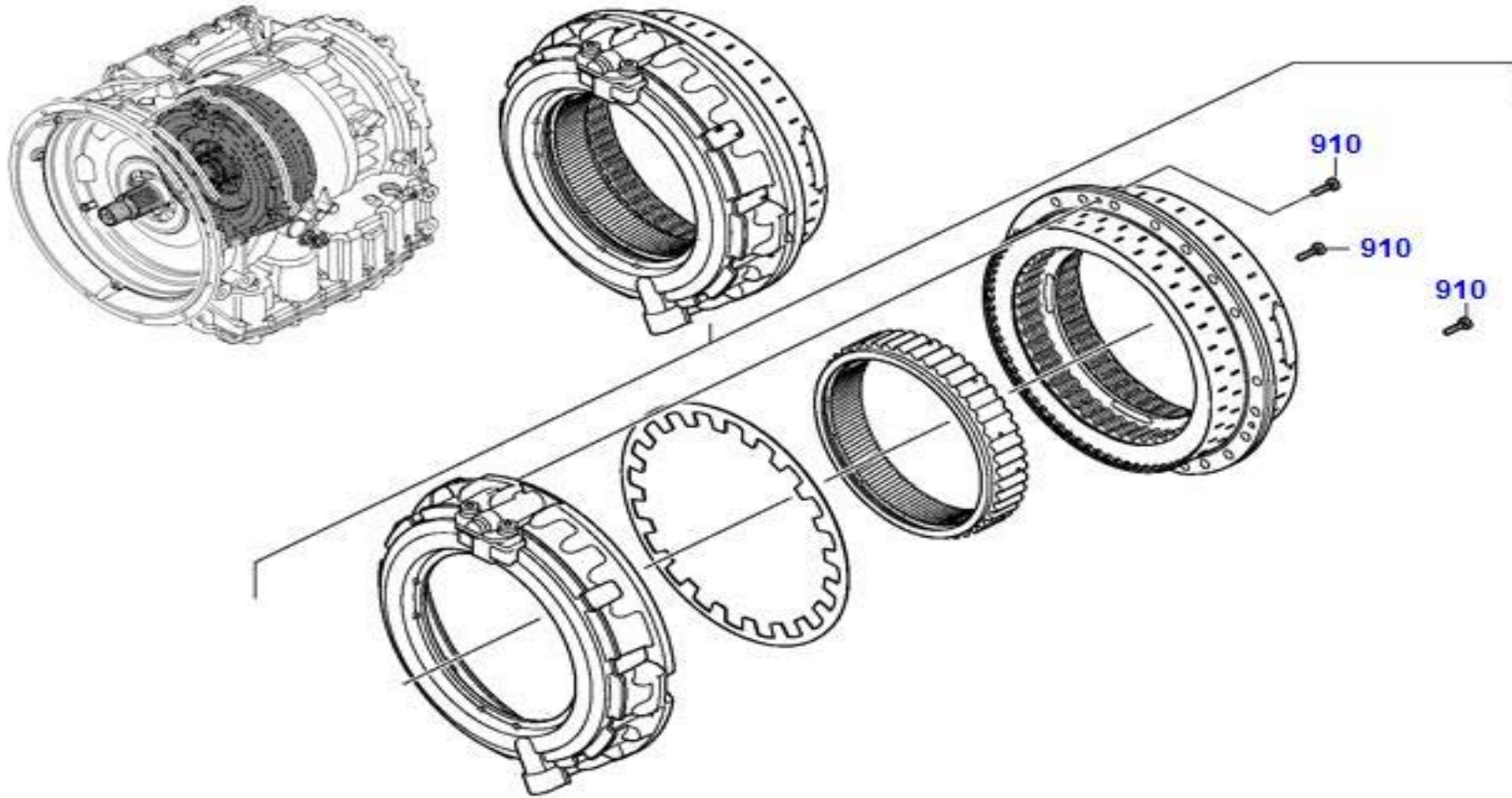
Picture No: ISZFA1028

| POZ | Part No | N.S.N | Code | Part Name (Türkçe) | Part Name (English) | Quantity |
|-------------------|--------------|-------|------|--|---------------------|----------|
| 910 | 0736.300.200 | | | <i>Auto Transmission</i> SECHSRUNDSCHR. | CAP SCREW | |
| Auto Transmission | | | | Transmission-Shift | | 0301 |

0301

Transmission-Shift

Auto Transmission



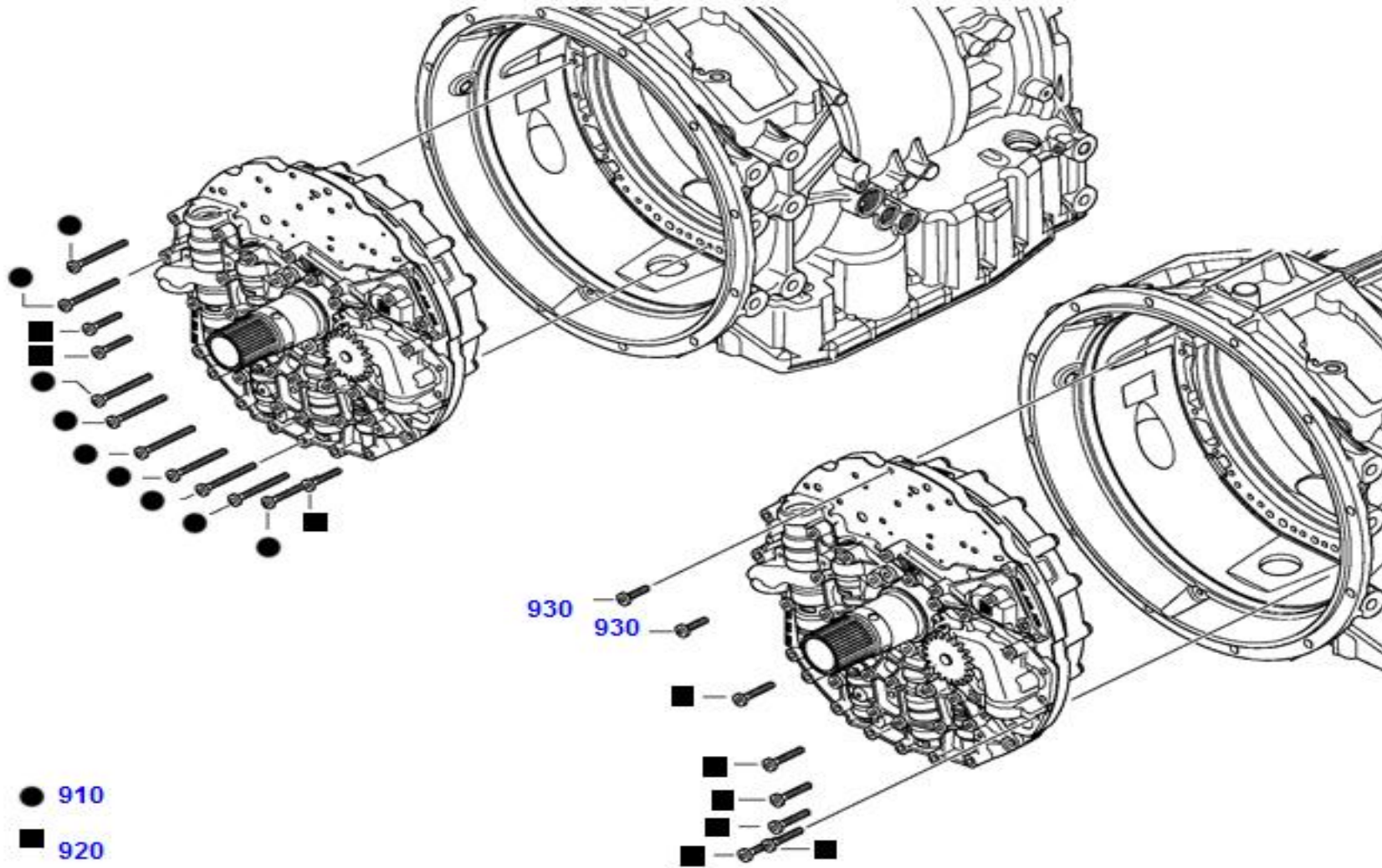
Picture No: ISZFA1029

| POZ | Part No | N.S.N | Code | Part Name (Türkçe) | Part Name (English) | Quantity |
|-------------------|--------------|-------|------|--|---------------------|----------|
| 910 | 0736.300.197 | | | <i>Auto Transmission</i> SECHSRUNDSCHR. | CAP SCREW | |
| Auto Transmission | | | | Transmission-Shift | | 0301 |

0301

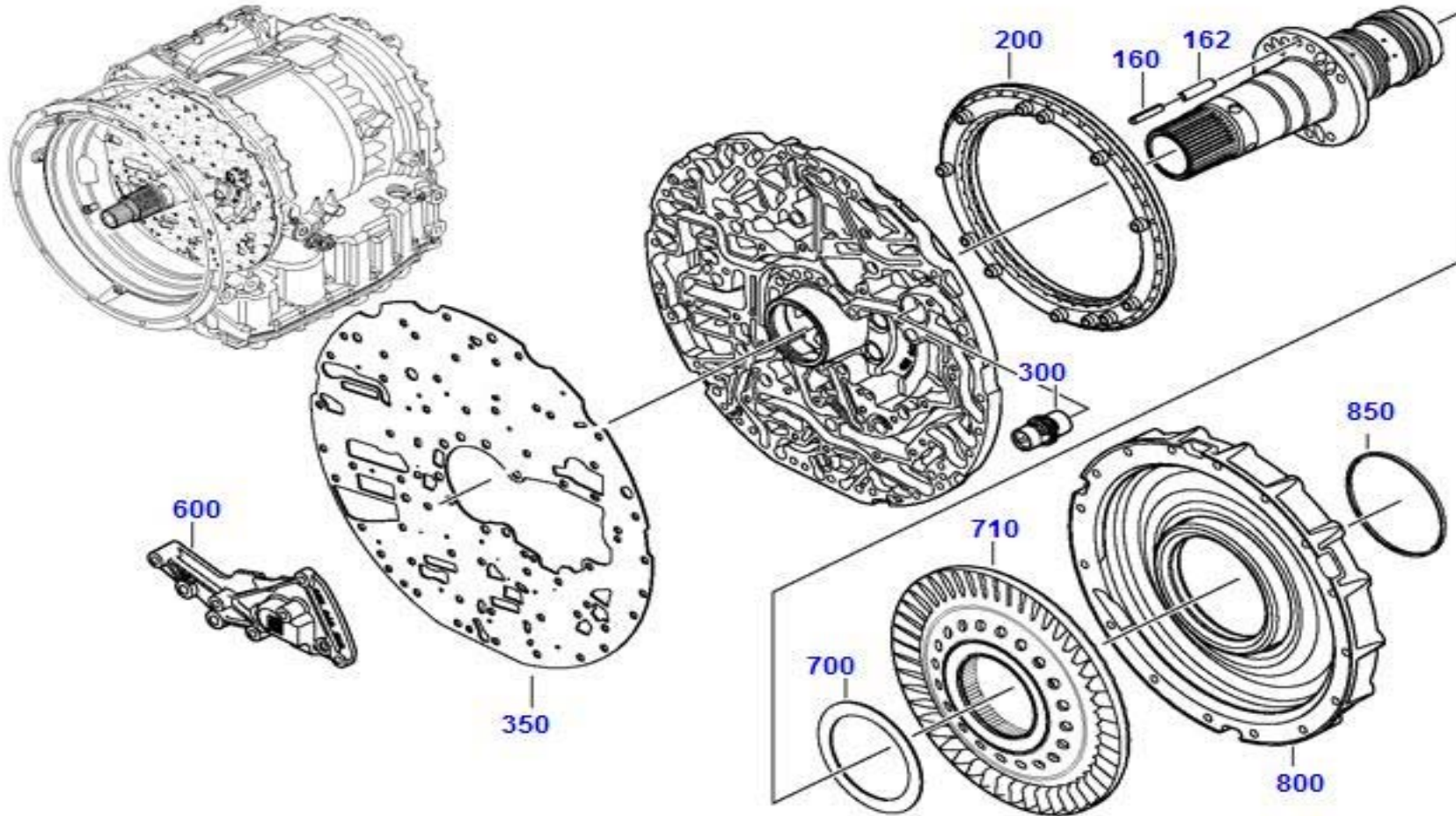
Transmission-Shift

Auto Transmission



Picture No: ISZFA1030

| POZ | Part No | N.S.N | Code | Part Name (Türkçe) | Part Name (English) | Quantity |
|-------------------|--------------|-------|------|--------------------------|---------------------|----------|
| | | | | <i>Auto Transmission</i> | | |
| 910 | 0736.300.203 | | | SECHSRUNDSCHR. | CAP SCREW | |
| 920 | 0736.300.201 | | | SECHSRUNDSCHR. | CAP SCREW | |
| 930 | 0736.300.200 | | | SECHSRUNDSCHR. | CAP SCREW | |
| Auto Transmission | | | | Transmission-Shift | | 0301 |

0301**Transmission-Shift****Auto Transmission**

Picture No: ISZFA1031

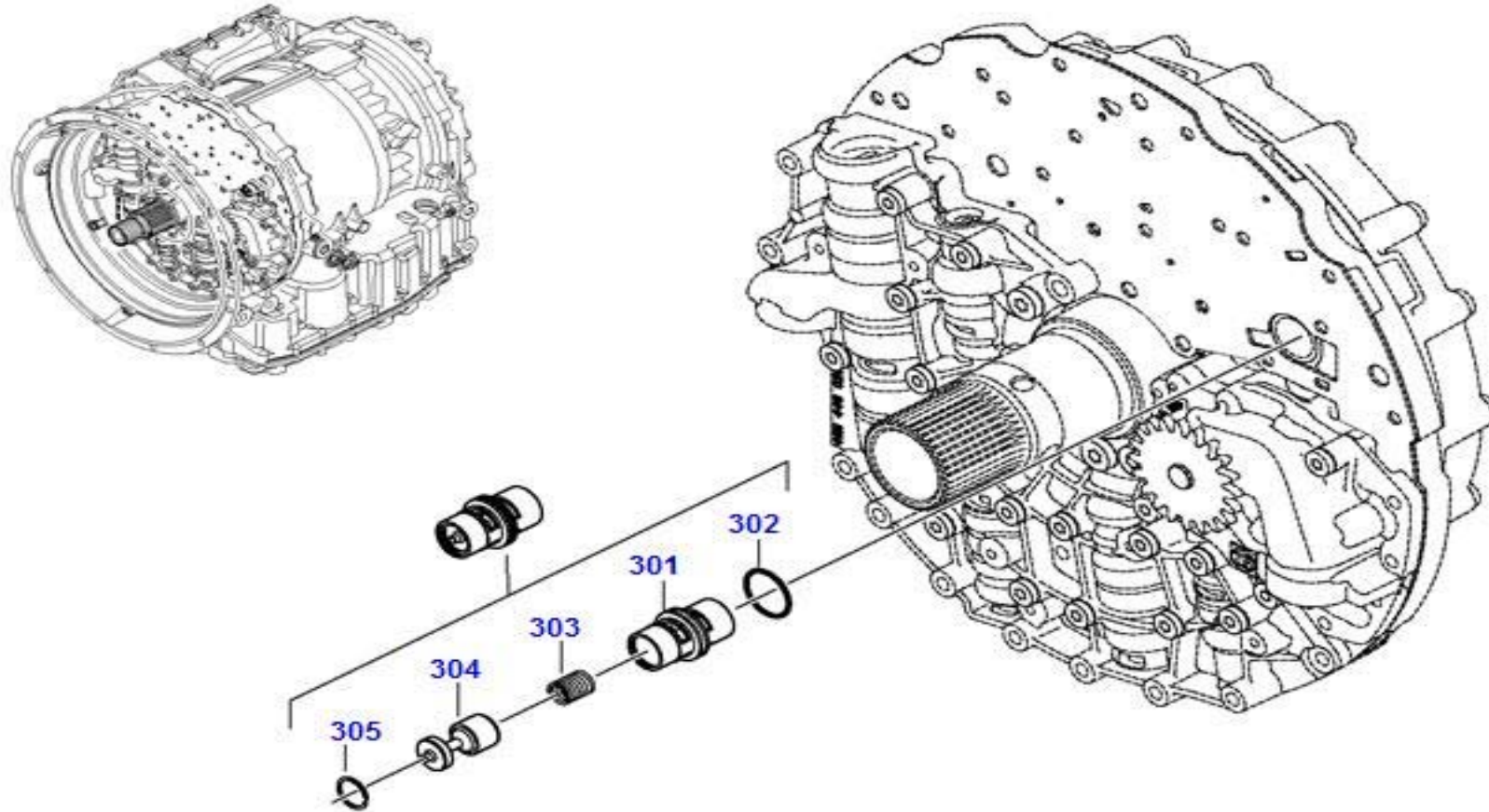


| POZ | Part No | N.S.N | Code | Part Name (Türkçe) | Part Name (English) | Quantity |
|-----|--------------|-------|------|--------------------------|---------------------|----------|
| | | | | <i>Auto Transmission</i> | | |
| 000 | 4181.142.050 | | | OIL FEED FLANGE | OIL FEED FLANGE | |
| 000 | 4181.143.010 | | | STATOR SHAFT | STATOR SHAFT | |
| 000 | 4181.144.802 | | | STATOR RING | STATOR RING | |
| 000 | 4181.146.005 | | | VALVE HOUSING | VALVE HOUSING | |
| 000 | 4181.146.802 | | | VALVE HOUSING | VALVE HOUSING | |
| 000 | 4181.147.007 | | | PRIMARY PUMP | PRIMARY PUMP | |
| 000 | 4181.147.802 | | | PUMP | PUMP | |
| 000 | 4181.148.801 | | | SUPPORTING PLATE | SUPPORTING PLATE | |
| 000 | 4181.144.803 | | | SEALING WASHER | SEALING WASHER | |
| 160 | 0631.330.122 | | | SPANNSTIFT | SLOT. PIN | |
| 162 | 0631.329.086 | | | SPANNSTIFT | SLOT. PIN | |
| 200 | 0501.328.787 | | | STATOR | AXLE BEVEL GEAR | |
| 300 | 4181.245.004 | | | SCHMIERDR.VENT. | LUB.PRESS.VALVE | |
| 350 | 4181.346.043 | | | ZWISCHENBLECH | FIXING PLATE | |
| 600 | 4181.348.009 | | | ABSTUETZPLATTE | SUPPORTING PLATE | |
| 700 | 0730.113.839 | | | AXIALSCHEIBE | AXIAL WASHER | |
| 710 | 4181.244.010 | | | ROTOR | ROTOR | |
| 800 | 4181.244.053 | | | SEALING WASHER | SEALING WASHER | |
| 850 | 0501.324.244 | | | RECHTECKRING | BRAKE CYLINDER | |

Auto Transmission

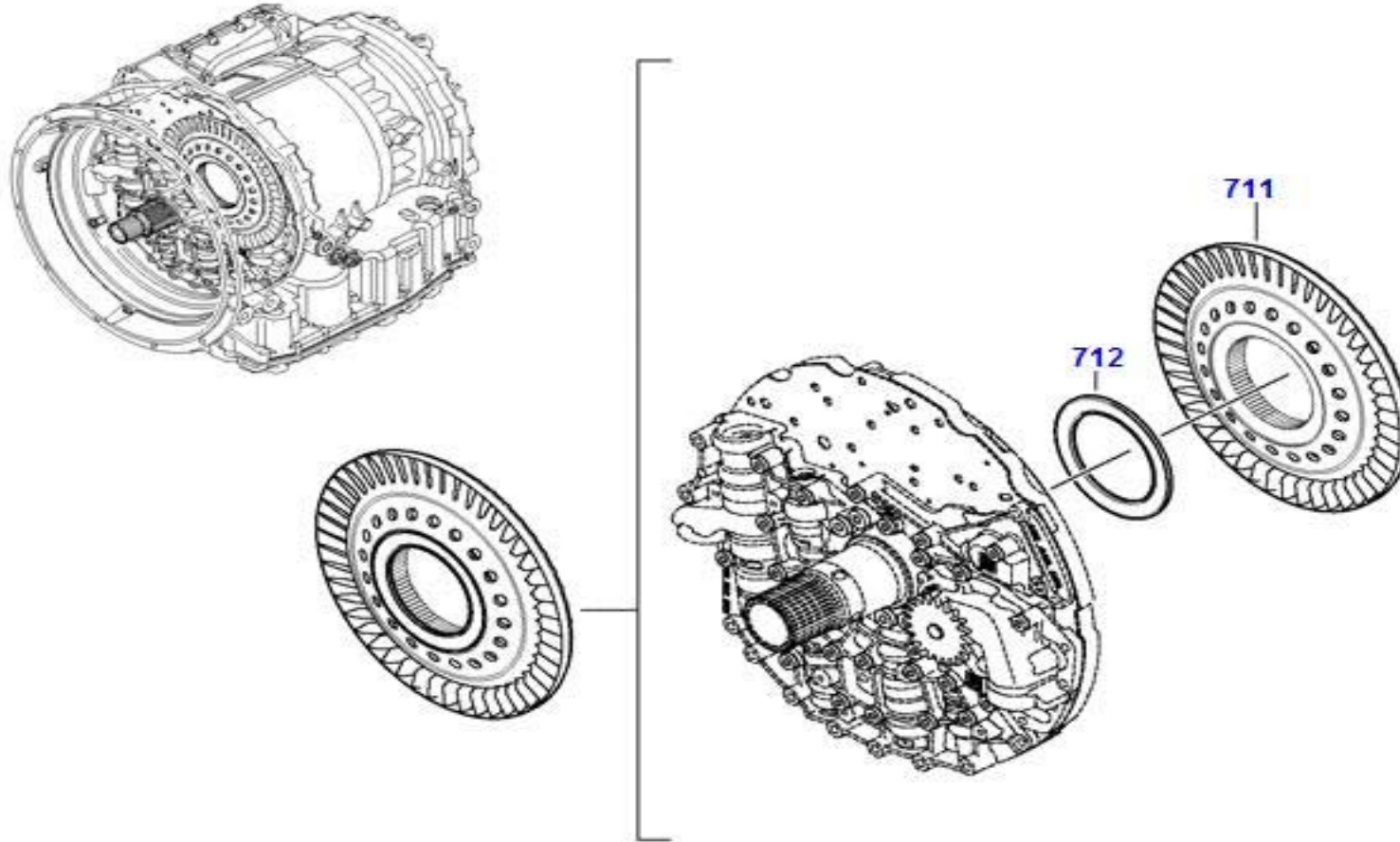
Transmission-Shift

0301

0301**Transmission-Shift****Auto Transmission**

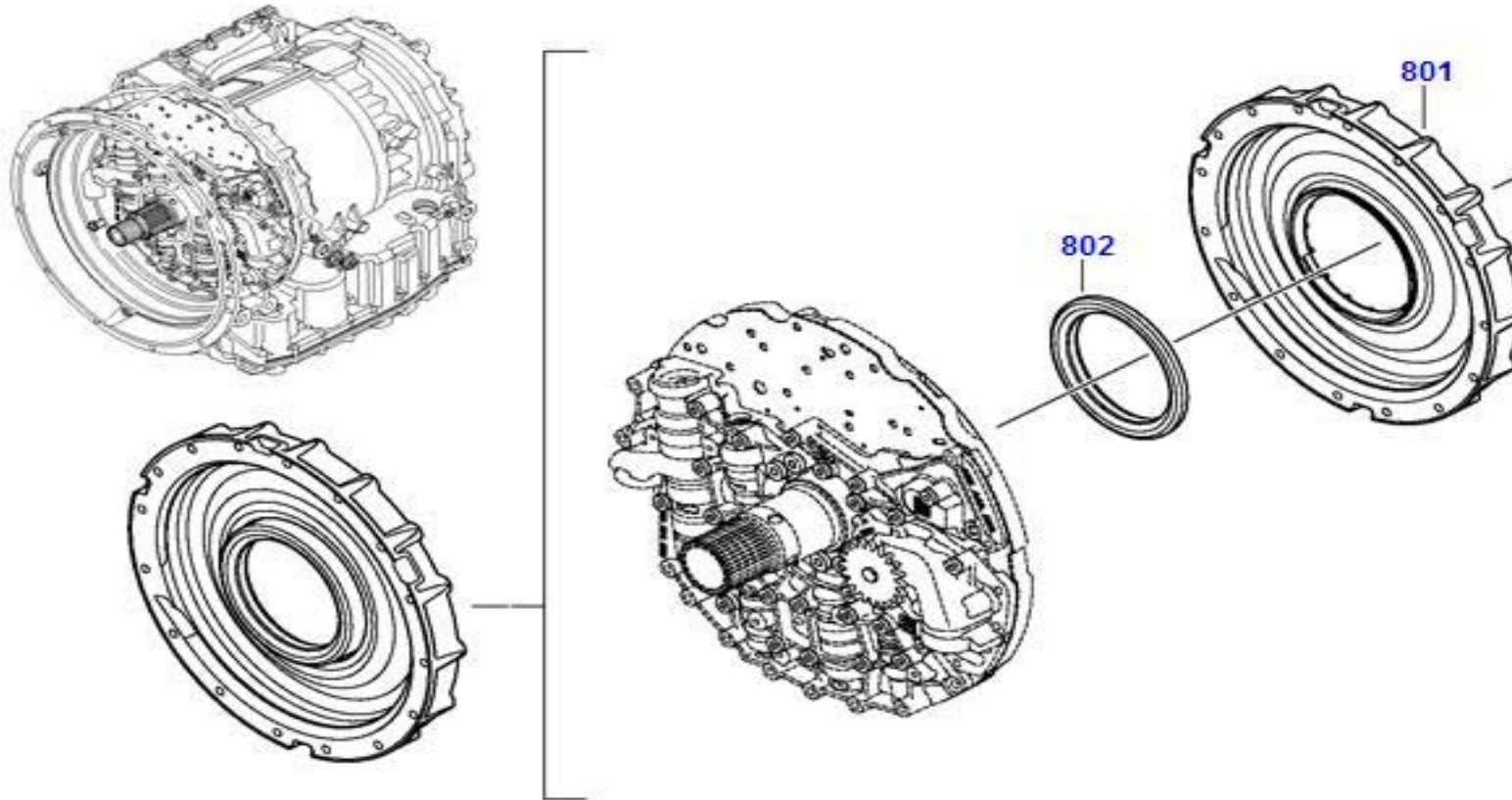
Picture No: ISZFA1032

| POZ | Part No | N.S.N | Code | Part Name (Türkçe) | Part Name (English) | Quantity |
|--------------------------|--------------|-------|------|---------------------------|---------------------|-------------|
| | | | | <i>Auto Transmission</i> | | |
| 301 | 4181.345.002 | | | BUCHSE | BUSH | |
| 302 | 0501.322.978 | | | O-RING | BALL JOINT | |
| 303 | 0732.042.980 | | | DRUCKFEDER | COMPRESSION SPRING | |
| 304 | 4181.345.001 | | | KOLBEN | BUSH | |
| 305 | 0630.513.120 | | | SPRENGRING | SNAP RING | |
| Auto Transmission | | | | Transmission-Shift | | 0301 |

0301**Transmission-Shift****Auto Transmission**

Picture No: ISZFA1033

| POZ | Part No | N.S.N | Code | Part Name (Türkçe) | Part Name (English) | Quantity |
|-------------------|--------------|-------|------|--------------------------|----------------------|----------|
| | | | | <i>Auto Transmission</i> | | |
| 711 | 0501.324.481 | | | ROTOR | BRAKE CYLINDER | |
| 712 | 0735.300.686 | | | AXIALNADELLAGER | AXIAL NEEDLE BEARING | |
| Auto Transmission | | | | Transmission-Shift | | 0301 |

0301**Transmission-Shift****Auto Transmission**

Picture No: ISZFA1034

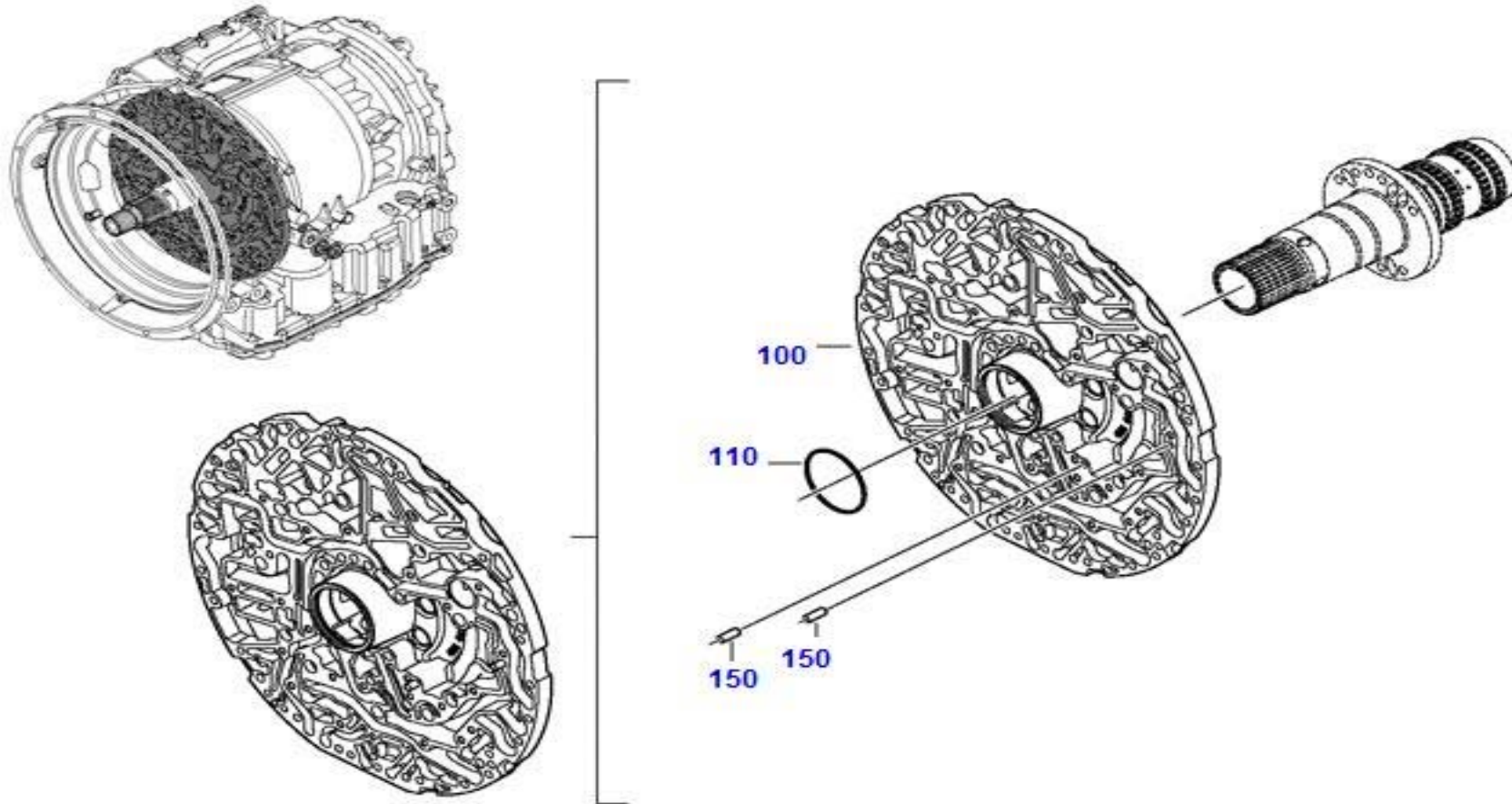


| POZ | Part No | N.S.N | Code | Part Name (Türkçe) | Part Name (English) | Quantity |
|---------------------------|--------------|-------|------|--------------------------|---------------------|-------------|
| | | | | <i>Auto Transmission</i> | | |
| 801 | 4181.344.019 | | | SEALING WASHER | SEALING WASHER | |
| 802 | 4181.344.013 | | | HUELSE | SEALING WASHER | |
| Auto Transmission | | | | | | |
| Transmission-Shift | | | | | | |
| | | | | | | 0301 |

0301

Transmission-Shift

Auto Transmission



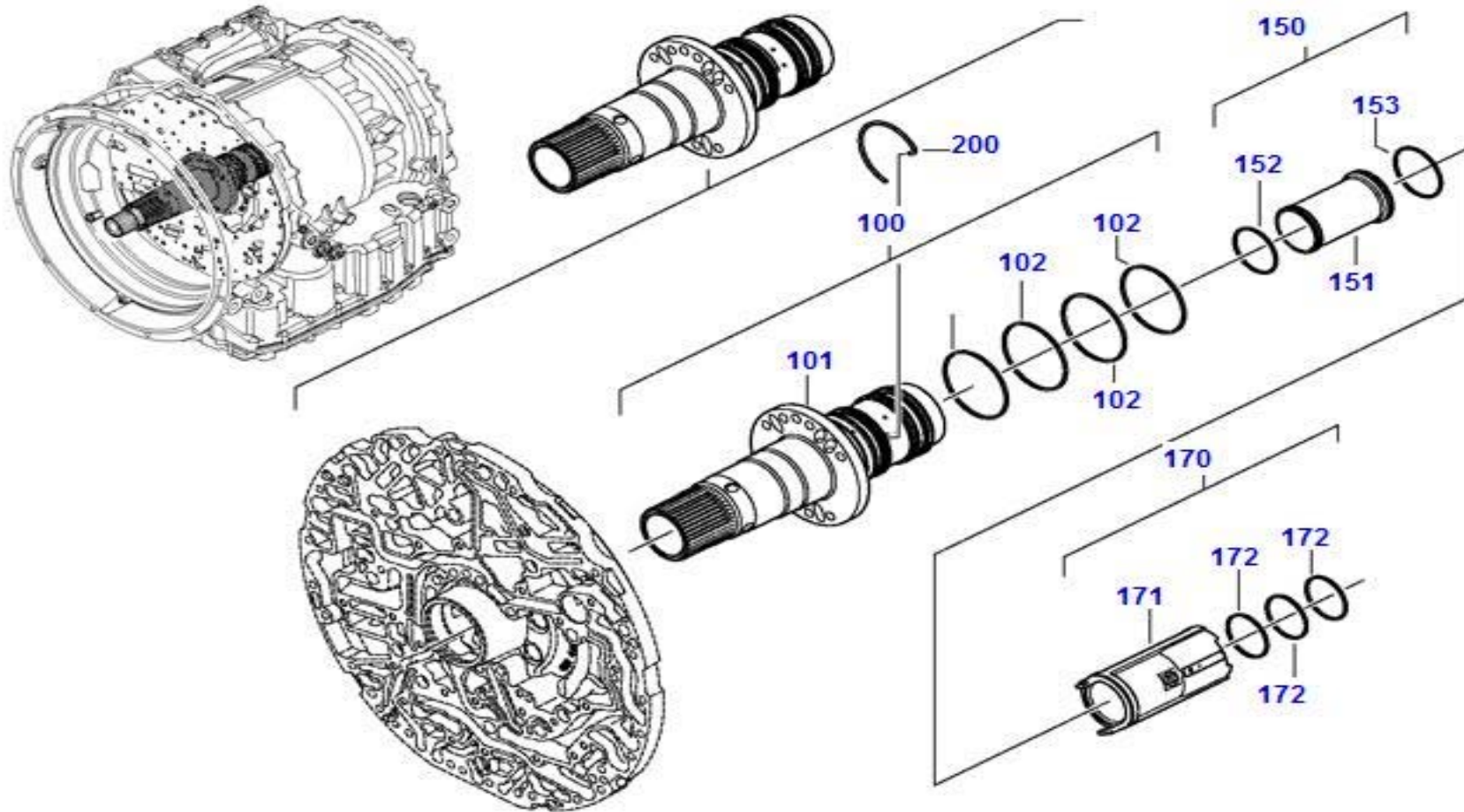
Picture No: ISZFA1035

| POZ | Part No | N.S.N | Code | Part Name (Türkçe) | Part Name (English) | Quantity |
|-----|--------------|-------|------|--------------------------|---------------------------|-------------|
| | | | | <i>Auto Transmission</i> | | |
| 100 | 4181.342.020 | | | OELZUF.FLANSCH | OIL FEED FLANGE | |
| 110 | 0501.322.908 | | | O-RING | BALL JOINT | |
| 150 | 0631.306.064 | | | ZYLINDERSTIFT | CYLINDRICAL PIN | |
| | | | | Auto Transmission | Transmission-Shift | 0301 |

0301

Transmission-Shift

Auto Transmission



Picture No: ISZFA1036

| POZ | Part No | N.S.N | Code | Part Name (Türkçe) | Part Name (English) | Quantity |
|-----|--------------|-------|------|--------------------------|---------------------|----------|
| | | | | <i>Auto Transmission</i> | | |
| 100 | 4181.243.013 | | | LEITRADWELLE | BUSH | |
| 101 | 4181.343.012 | | | STATOR SHAFT | STATOR SHAFT | |
| 102 | 0501.325.586 | | | RECHTECKRING | AXIAL WASHER | |
| 150 | 4181.243.008 | | | HUELSE | BUSH | |
| 151 | 0501.322.740 | | | HUELSE | BALL JOINT | |
| 152 | 0501.322.902 | | | O-RING | BALL JOINT | |
| 153 | 0501.322.907 | | | O-RING | BALL JOINT | |
| 170 | 4181.243.011 | | | BUCHSE | BUSH | |
| 171 | 4181.343.013 | | | BUCHSE | BUSH | |
| 172 | 0501.322.916 | | | RECHTECKRING | BALL JOINT | |
| 200 | 0730.505.173 | | | SPRENGRING | SNAP RING | |

Auto Transmission

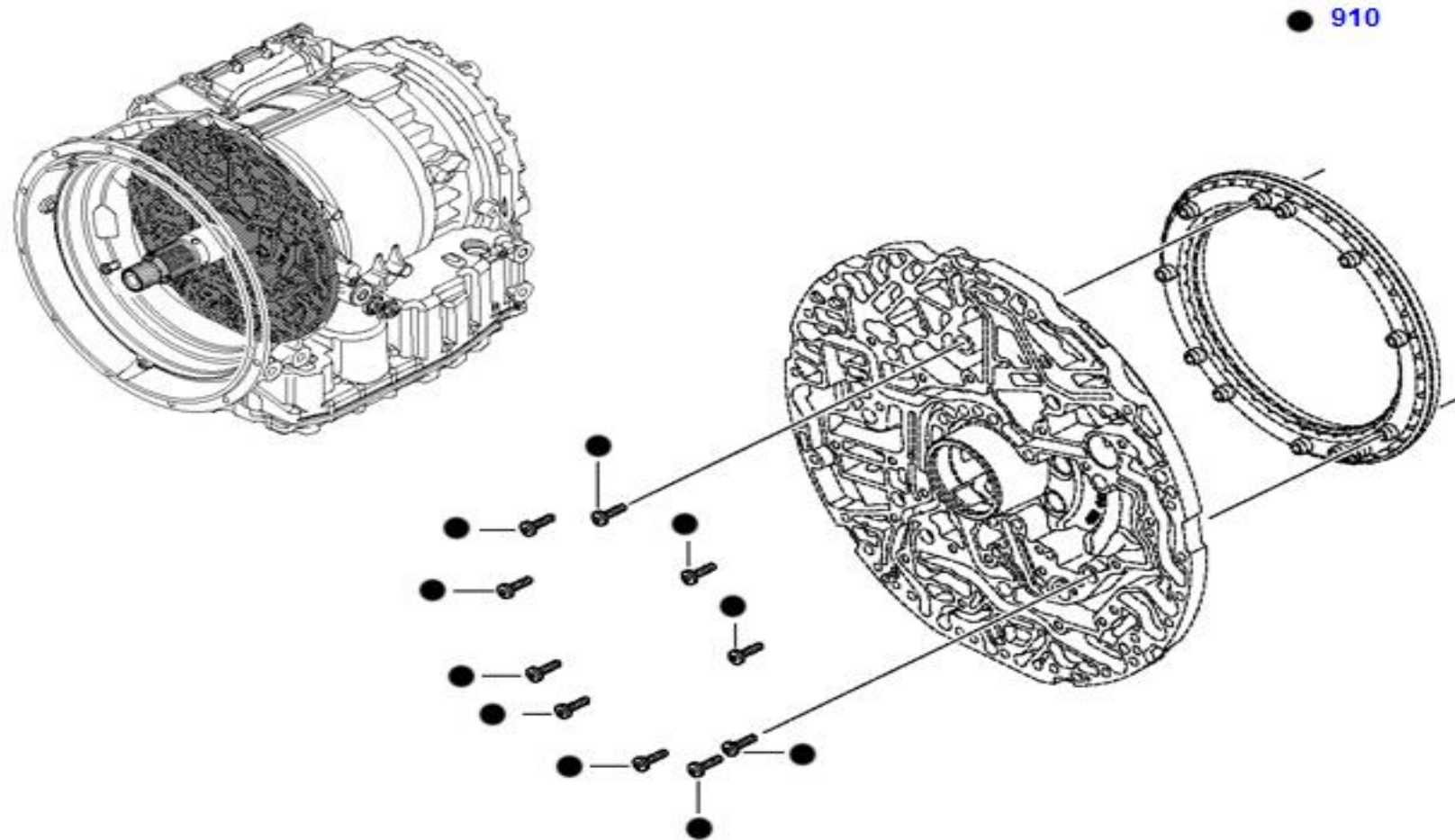
Transmission-Shift

0301

0301

Transmission-Shift

Auto Transmission



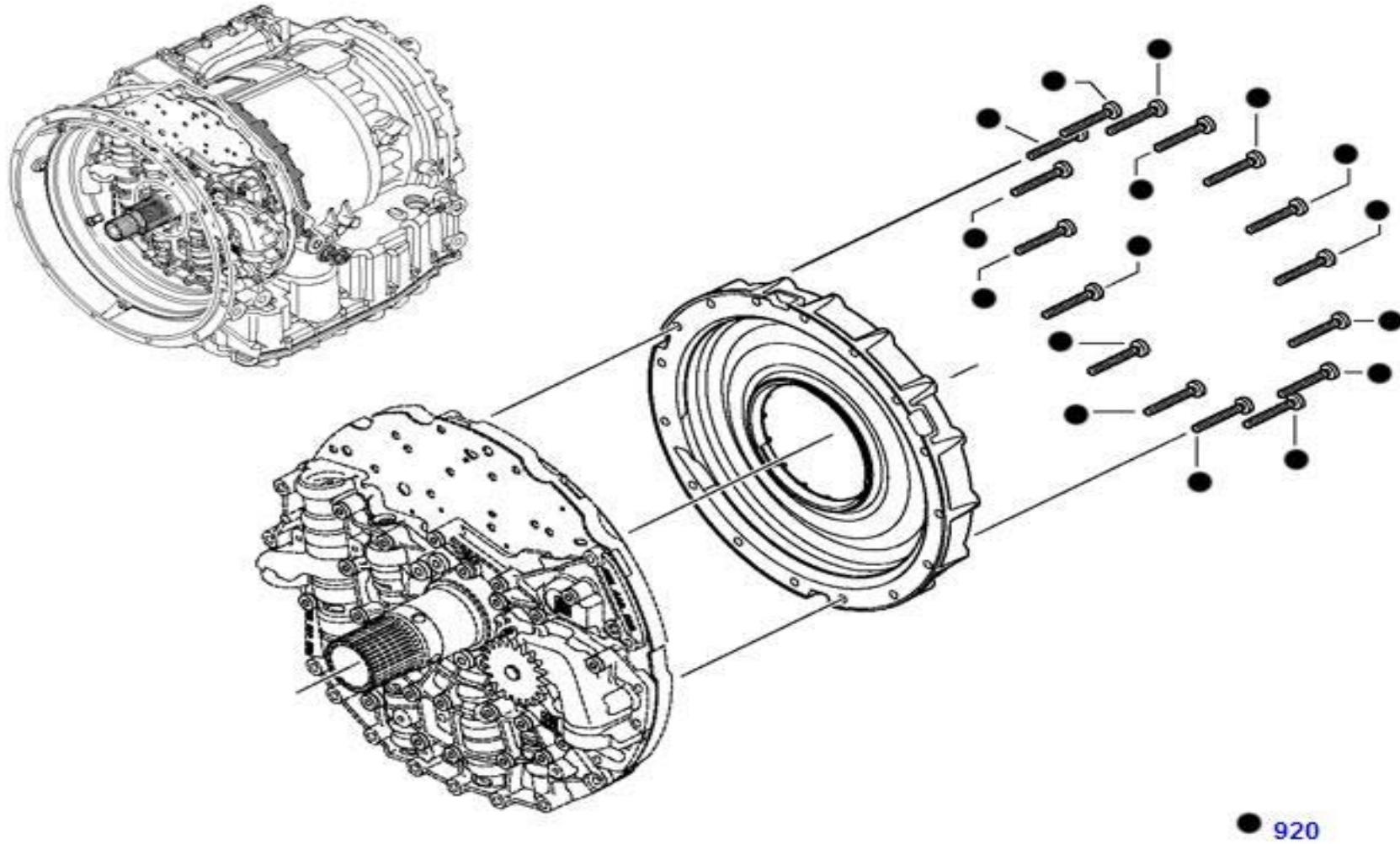
Picture No: ISZFA1037

| POZ | Part No | N.S.N | Code | Part Name (Türkçe) | Part Name (English) | Quantity |
|--|--------------|-------|------|--|---------------------|----------|
| 910 | 0736.300.197 | | | <i>Auto Transmission</i> SECHSRUNDSCHR. | CAP SCREW | |
| Auto Transmission Transmission-Shift 0301 | | | | | | |

0301

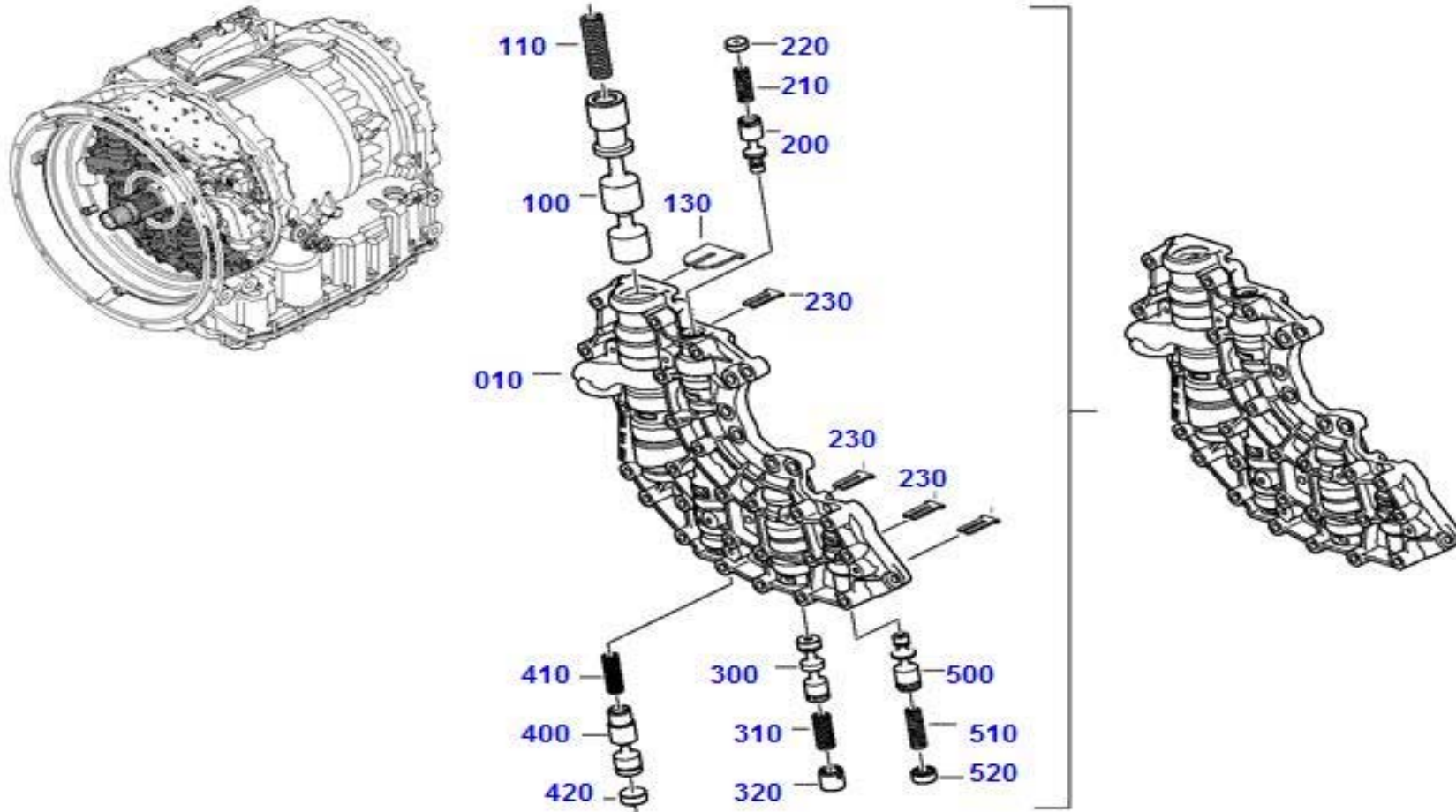
Transmission-Shift

Auto Transmission



Picture No: ISZFA1038

| POZ | Part No | N.S.N | Code | Part Name (Türkçe) | Part Name (English) | Quantity |
|-------------------|--------------|-------|------|--|---------------------|----------|
| 920 | 0736.300.202 | | | <i>Auto Transmission</i> SECHSRUNDSCHR. | CAP SCREW | |
| Auto Transmission | | | | Transmission-Shift | | 0301 |

0301**Transmission-Shift****Auto Transmission**

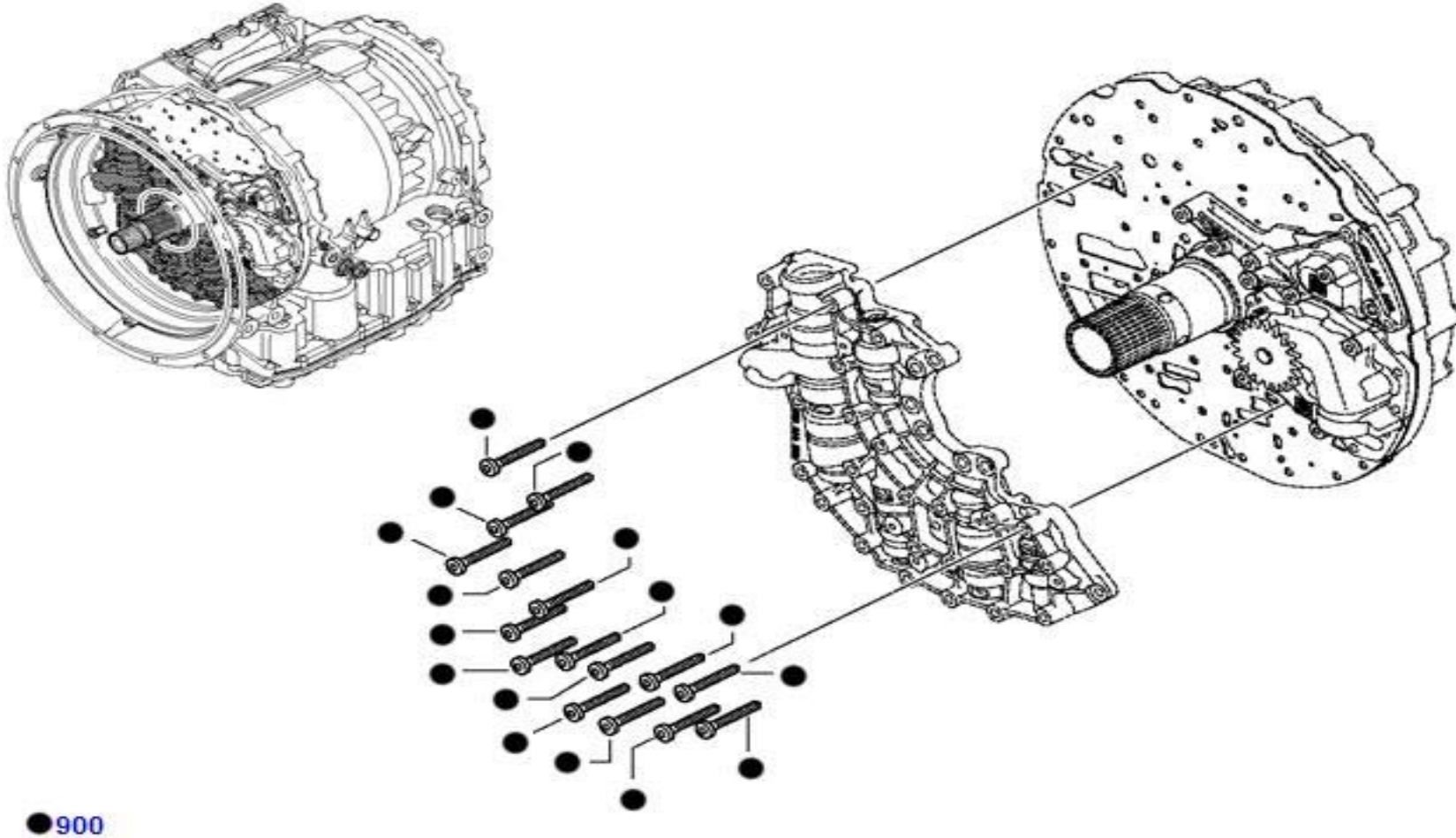
Picture No: ISZFA1039

| POZ | Part No | N.S.N | Code | Part Name (Türkçe) | Part Name (English) | Quantity |
|--------------------------|--------------|-------|------|---------------------------|---------------------|-------------|
| | | | | <i>Auto Transmission</i> | | |
| 010 | 4181.346.017 | | | VENTILGEHAEUSE | FIXING PLATE | |
| 100 | 4181.346.048 | | | KOLBEN | FIXING PLATE | |
| 110 | 0732.042.939 | | | DRUCKFEDER | COMPRESSION SPRING | |
| 130 | 4181.346.041 | | | HALTEBLECH | FIXING PLATE | |
| 200 | 4181.346.049 | | | KOLBEN | FIXING PLATE | |
| 210 | 0732.042.943 | | | DRUCKFEDER | COMPRESSION SPRING | |
| 220 | 4181.346.056 | | | KOLBEN | FIXING PLATE | |
| 230 | 4181.346.042 | | | HALTEBLECH | FIXING PLATE | |
| 300 | 4181.346.055 | | | KOLBEN | FIXING PLATE | |
| 310 | 0732.042.905 | | | DRUCKFEDER | COMPRESSION SPRING | |
| 320 | 4181.346.051 | | | KOLBEN | FIXING PLATE | |
| 400 | 4181.346.054 | | | KOLBEN | FIXING PLATE | |
| 410 | 0732.042.999 | | | DRUCKFEDER | COMPRESSION SPRING | |
| 420 | 4181.346.052 | | | KOLBEN | FIXING PLATE | |
| 500 | 4181.346.050 | | | KOLBEN | FIXING PLATE | |
| 510 | 0732.042.973 | | | DRUCKFEDER | COMPRESSION SPRING | |
| 520 | 4181.346.053 | | | KOLBEN | FIXING PLATE | |
| Auto Transmission | | | | Transmission-Shift | | 0301 |

0301

Transmission-Shift

Auto Transmission



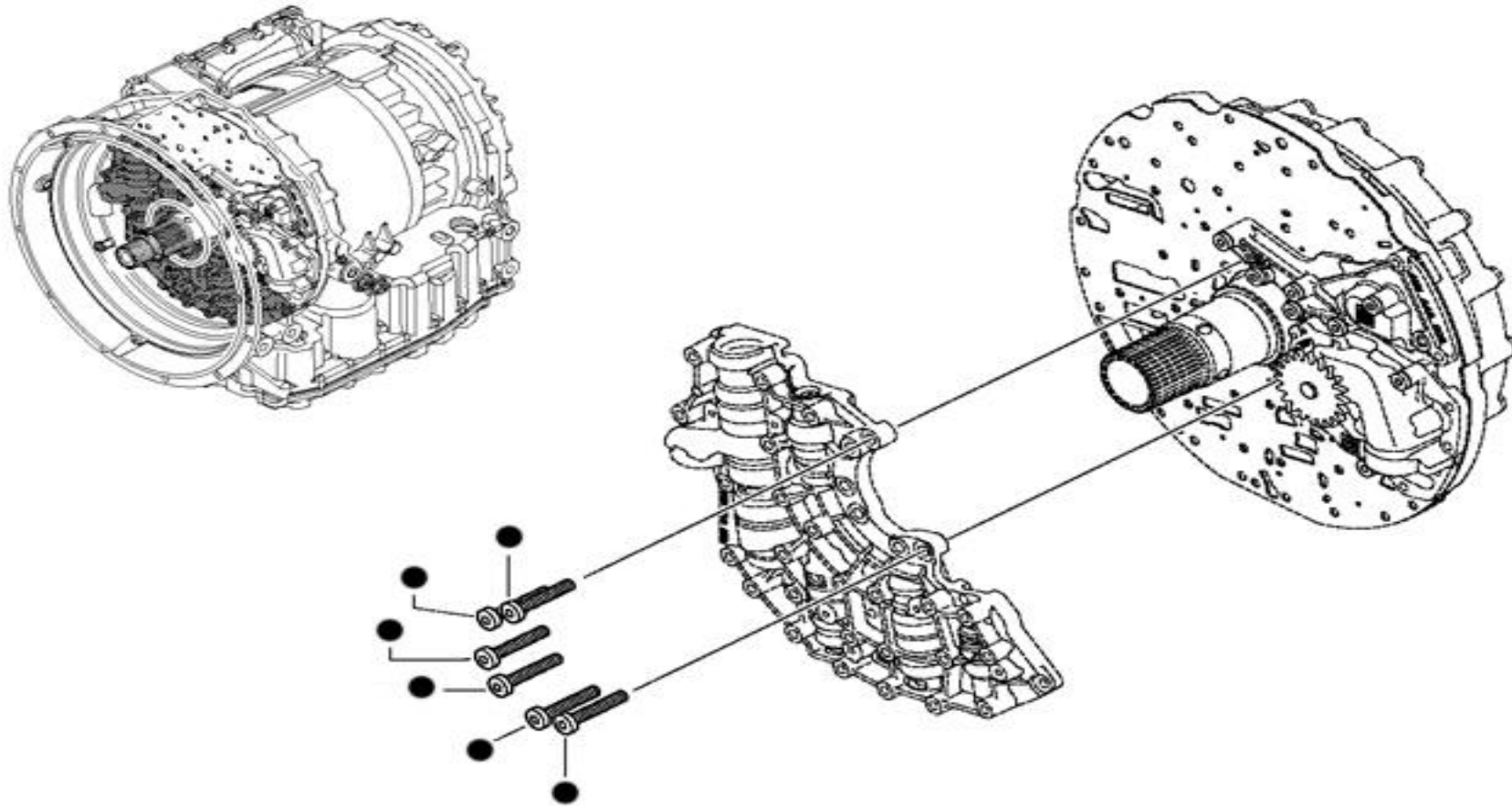
Picture No: ISZFA1040

| POZ | Part No | N.S.N | Code | Part Name (Türkçe) | Part Name (English) | Quantity |
|-------------------|--------------|-------|------|--|---------------------|----------|
| 900 | 0736.300.202 | | | <i>Auto Transmission</i> SECHSRUNDSCHR. | CAP SCREW | |
| Auto Transmission | | | | Transmission-Shift | | 0301 |

0301

Transmission-Shift

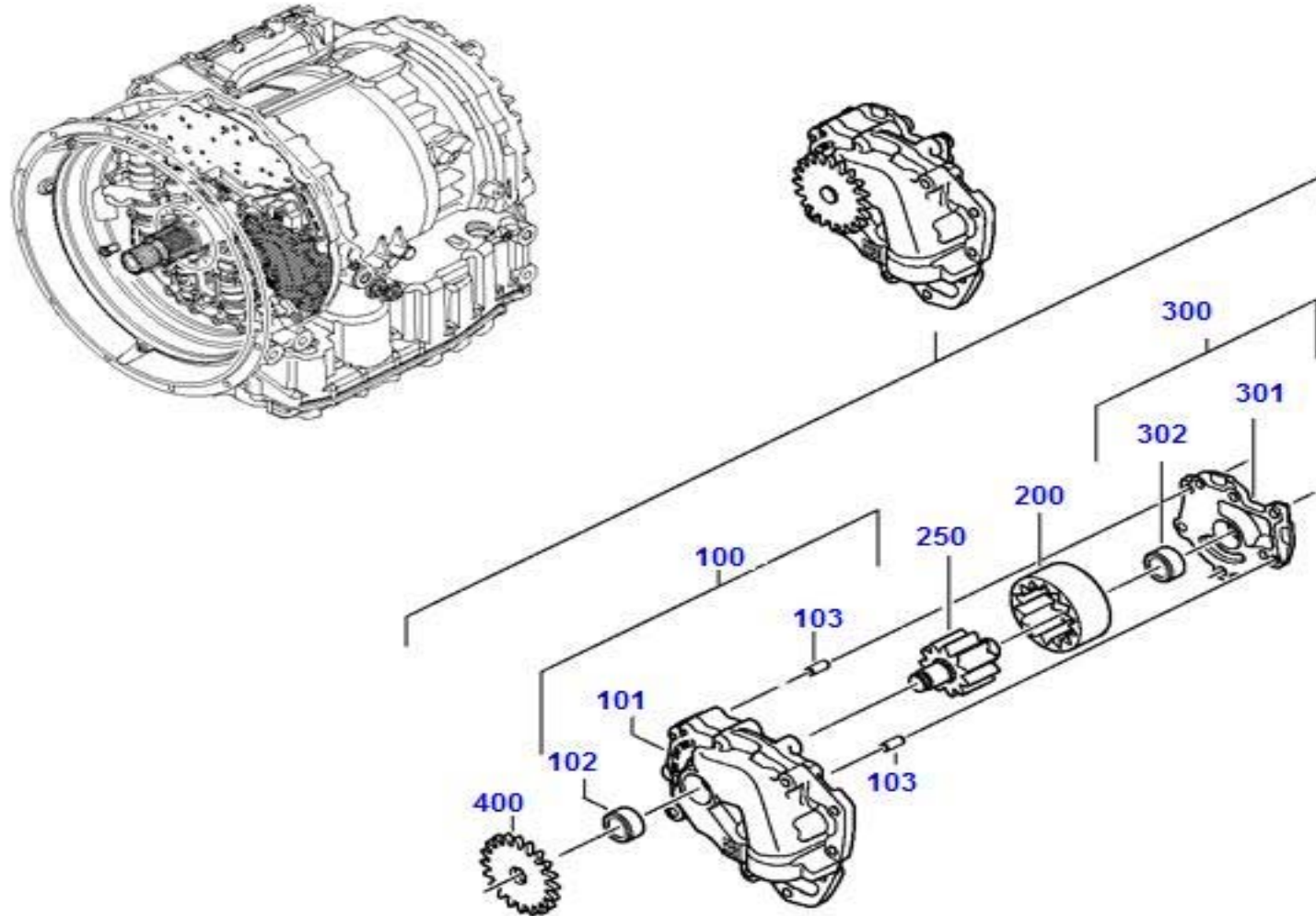
Auto Transmission



● 950

Picture No: ISZFA1041

| POZ | Part No | N.S.N | Code | Part Name (Türkçe) | Part Name (English) | Quantity |
|-------------------|--------------|-------|------|--|---------------------|----------|
| 950 | 0736.300.215 | | | <i>Auto Transmission</i> SECHSRUNDSCHR. | CAP SCREW | |
| Auto Transmission | | | | Transmission-Shift | | 0301 |

0301**Transmission-Shift****Auto Transmission**

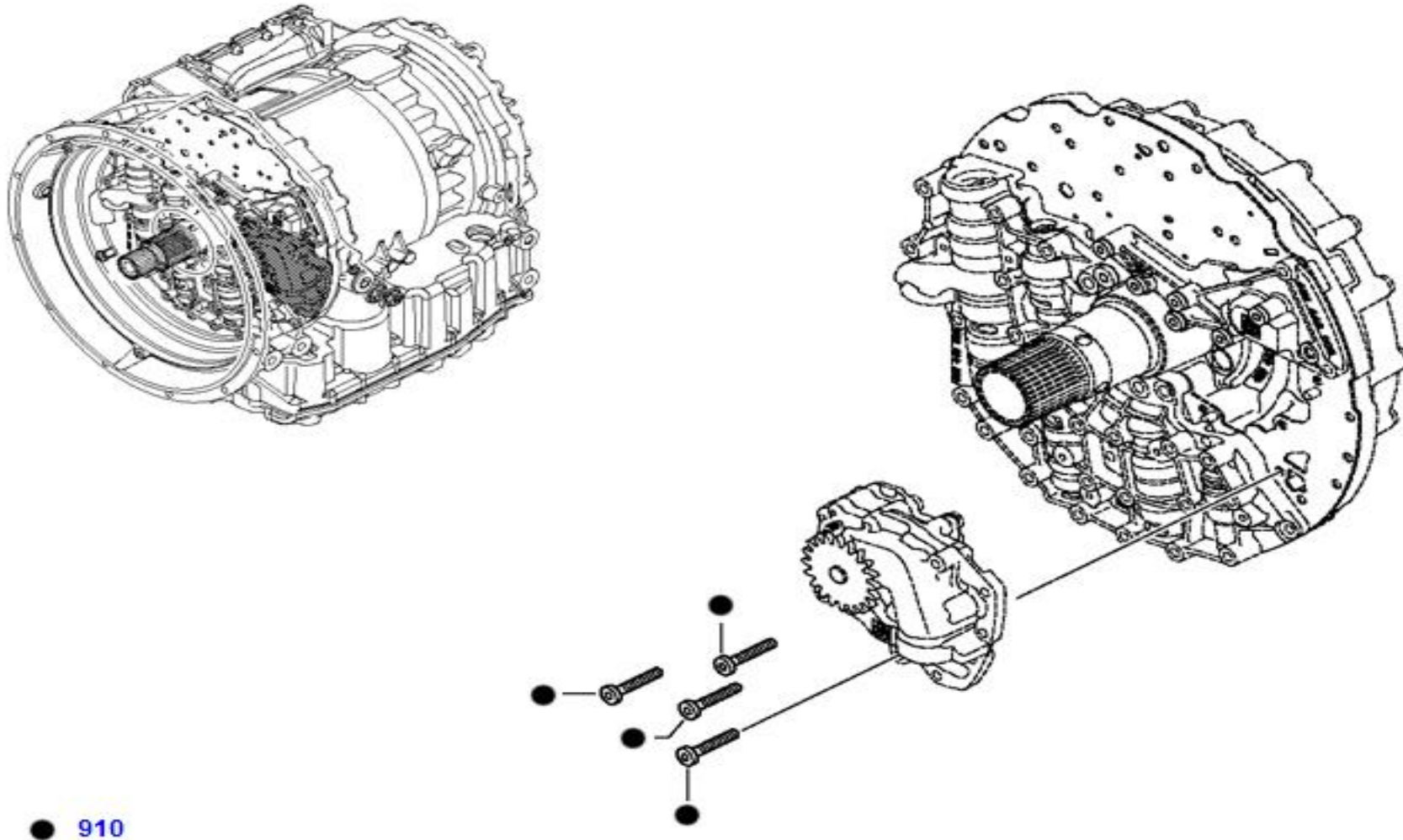
Picture No: ISZFA1042

| POZ | Part No | N.S.N | Code | Part Name (Türkçe) | Part Name (English) | Quantity |
|--------------------------|--------------|-------|------|---------------------------|---------------------|-------------|
| | | | | <i>Auto Transmission</i> | | |
| 000 | 4181.147.803 | | | PUMPCOVER | PUMPCOVER | |
| 100 | 4181.247.017 | | | PUMPENGEHAEUSE | INPUT SHAFT | |
| 101 | 4181.347.027 | | | PUMPENGEHAEUSE | INPUT GEAR | |
| 102 | 0750.115.560 | | | NEEDLE SLEEVE | NEEDLE SLEEVE | |
| 103 | 0631.306.060 | | | ZYLINDERSTIFT | CYLINDRICAL PIN | |
| 200 | 4181.347.016 | | | HOHLRAD | INPUT GEAR | |
| 250 | 4181.247.010 | | | ANTRIEBSWELLE | INPUT SHAFT | |
| 250 | 4181.347.017 | | | ANTRIEBSWELLE | INPUT GEAR | |
| 250 | 4181.347.015 | | | ROTOR | INPUT GEAR | |
| 300 | 4181.247.009 | | | PUMPENDECKEL | INPUT SHAFT | |
| 301 | 4181.347.014 | | | PUMPENDECKEL | INPUT GEAR | |
| 302 | 0750.115.560 | | | NEEDLE SLEEVE | NEEDLE SLEEVE | |
| 400 | 4181.347.022 | | | ANTRIEBSRAD | INPUT GEAR | |
| Auto Transmission | | | | Transmission-Shift | | 0301 |

0301

Transmission-Shift

Auto Transmission



● 910

Picture No: ISZFA1043

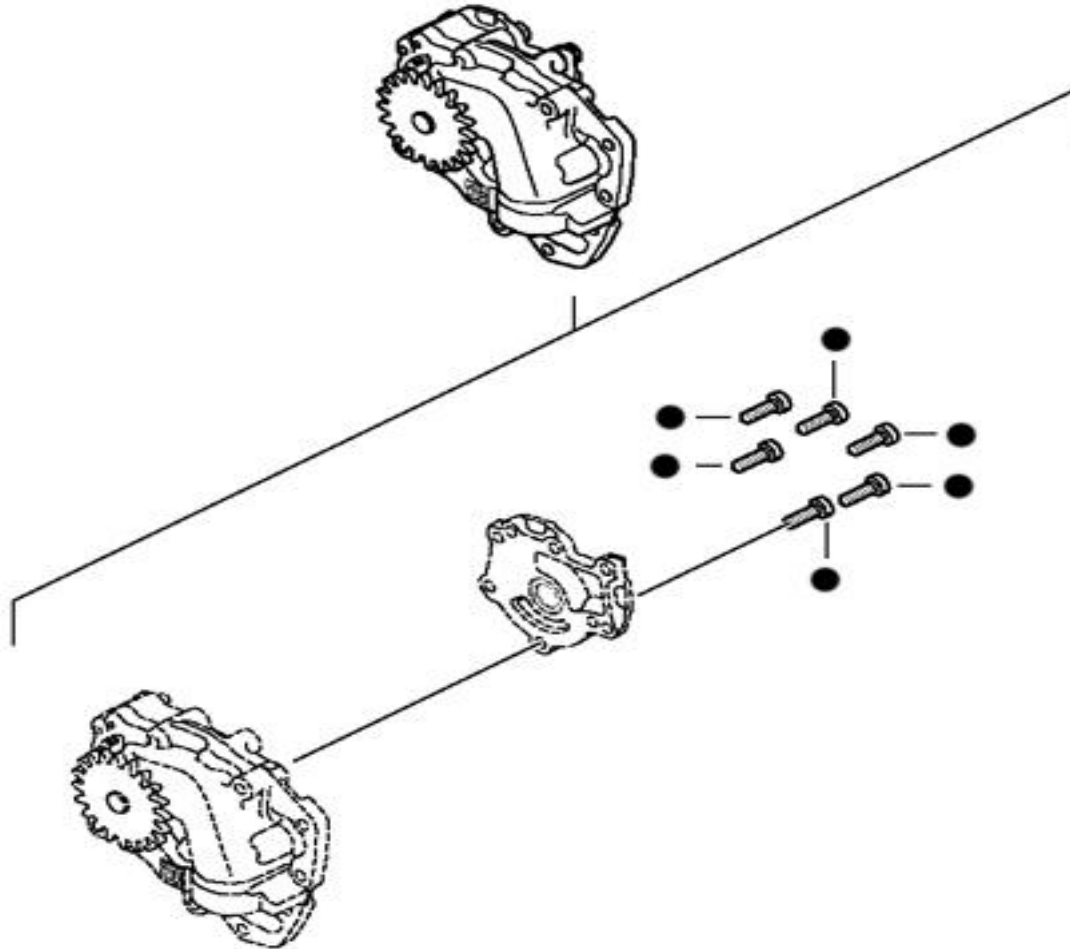
| POZ | Part No | N.S.N | Code | Part Name (Türkçe) | Part Name (English) | Quantity |
|-------------------|--------------|-------|------|-------------------------------------|---------------------|----------|
| 910 | 0736.300.201 | | | Auto Transmission SECHSRUNDSCHR. | CAP SCREW | |
| Auto Transmission | | | | Transmission-Shift | | 0301 |

0301

Transmission-Shift

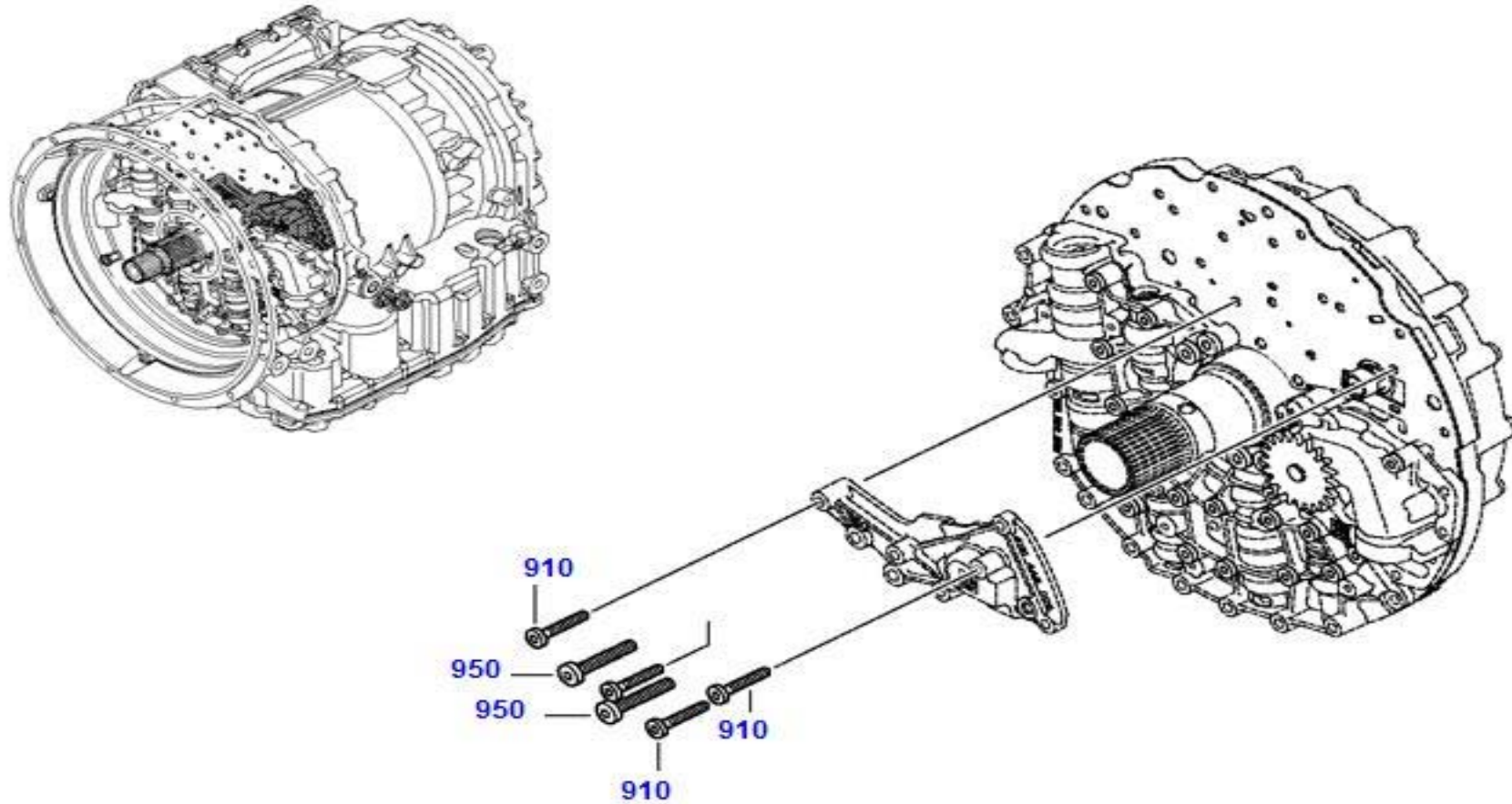
Auto Transmission

● 910

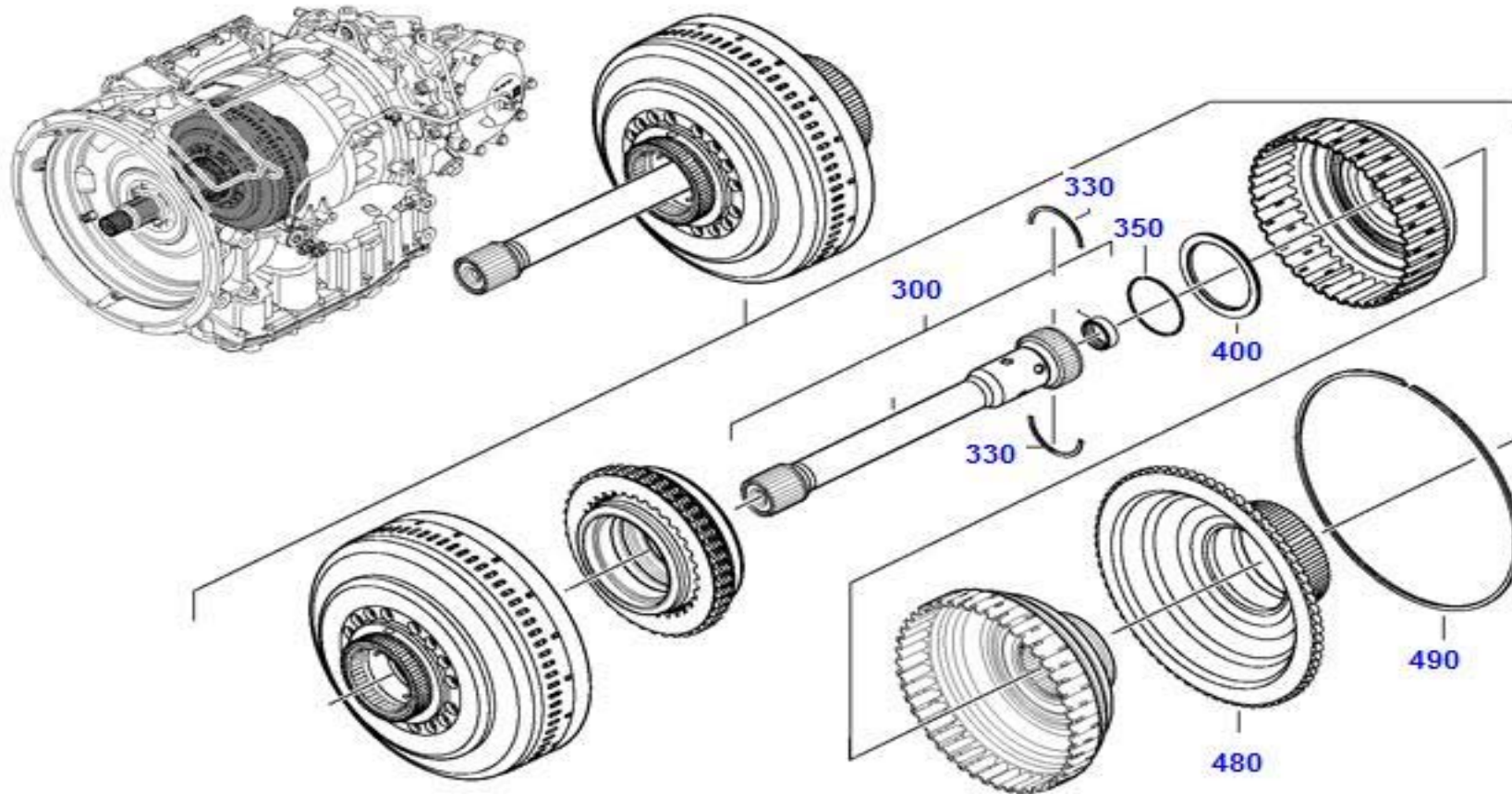


Picture No: ISZFA1044

| POZ | Part No | N.S.N | Code | Part Name (Türkçe) | Part Name (English) | Quantity |
|--|--------------|-------|------|--|---------------------|----------|
| 910 | 0736.300.212 | | | <i>Auto Transmission</i> SECHSRUNDSCHR. | CAP SCREW | |
| Auto Transmission Transmission-Shift 0301 | | | | | | |

0301**Transmission-Shift****Auto Transmission**

Picture No: ISZFA1045

0301**Transmission-Shift****Auto Transmission**

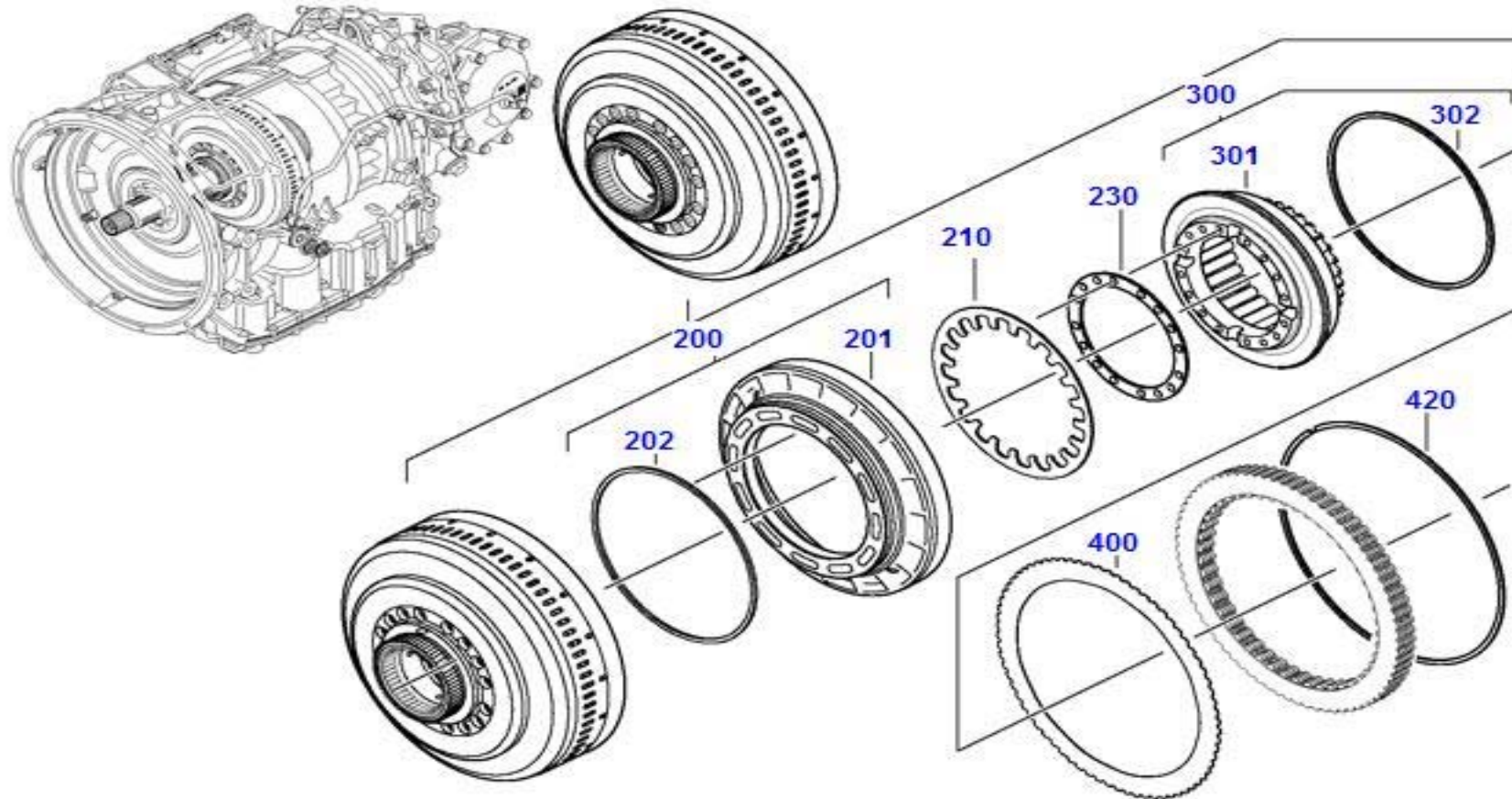
Picture No: ISZFA1046

| POZ | Part No | N.S.N | Code | Part Name (Türkçe) | Part Name (English) | Quantity |
|-----|--------------|-------|------|--------------------------|---------------------------|-------------|
| | | | | <i>Auto Transmission</i> | | |
| 000 | 4181.151.052 | | | COUPLING B | COUPLING B | |
| 000 | 4181.154.030 | | | COUPLING A | COUPLING A | |
| 000 | 4181.157.002 | | | INPUT SHAFT | INPUT SHAFT | |
| 000 | 4181.158.006 | | | QUILL SHAFT | QUILL SHAFT | |
| 300 | 4181.250.010 | | | TURBINENWELLE | TURBINE SHAFT | |
| 330 | 4181.350.023 | | | GETEILTER RING | SPLIT RING | |
| 350 | 0730.514.001 | | | SICHERUNGSRING | CIRCLIP | |
| 400 | 0735.368.151 | | | AXIALNADELLAGER | AXIAL NEEDLE BEARING | |
| 480 | 4181.295.050 | | | SONNENRAD | HUB | |
| 490 | 0730.513.992 | | | SPRENGRING | SNAP RING | |
| | | | | Auto Transmission | Transmission-Shift | 0301 |

0301

Transmission-Shift

Auto Transmission



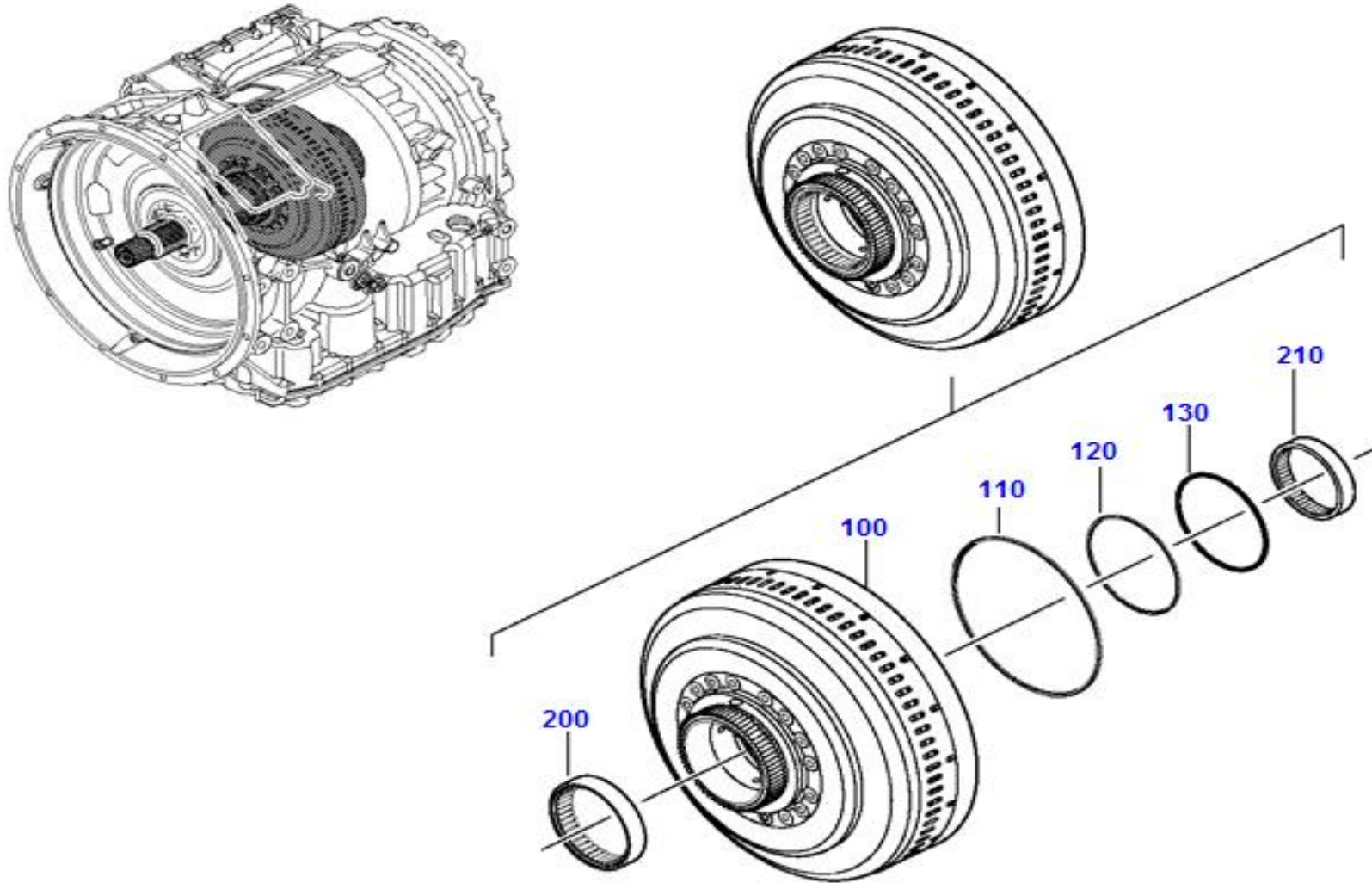
Picture No: ISZFA1047

| POZ | Part No | N.S.N | Code | Part Name (Türkçe) | Part Name (English) | Quantity |
|--------------------------|--------------|-------|------|---------------------------|---------------------|-------------|
| | | | | <i>Auto Transmission</i> | | |
| 000 | 4181.152.007 | | | HUB | HUB | |
| 000 | 4181.152.804 | | | OIL DAM | OIL DAM | |
| 000 | 4181.128.011 | | | MULTIDISK PACKAGE | MULTIDISK PACKAGE | |
| 200 | 4181.251.052 | | | KOLBEN | OIL DAM | |
| 201 | 4181.351.011 | | | KOLBEN | PISTON | |
| 202 | 0501.324.122 | | | DICHTRING | BRAKE CYLINDER | |
| 210 | 0501.321.662 | | | TELLERFEDER | ANGLE DISC | |
| 230 | 0501.214.932 | | | DICHTUNG | GASKET | |
| 300 | 4181.251.030 | | | STAUISCHEIBE | OIL DAM | |
| 301 | 4181.295.075 | | | OIL DAM | OIL DAM | |
| 302 | 0501.322.865 | | | DICHTRING | BALL JOINT | |
| 400 | 4181.327.001 | | | WELLFEDER | SEGMENT | |
| 420 | 0730.513.975 | | | SPRENGRING | SNAP RING | |
| Auto Transmission | | | | Transmission-Shift | | 0301 |

0301

Transmission-Shift

Auto Transmission



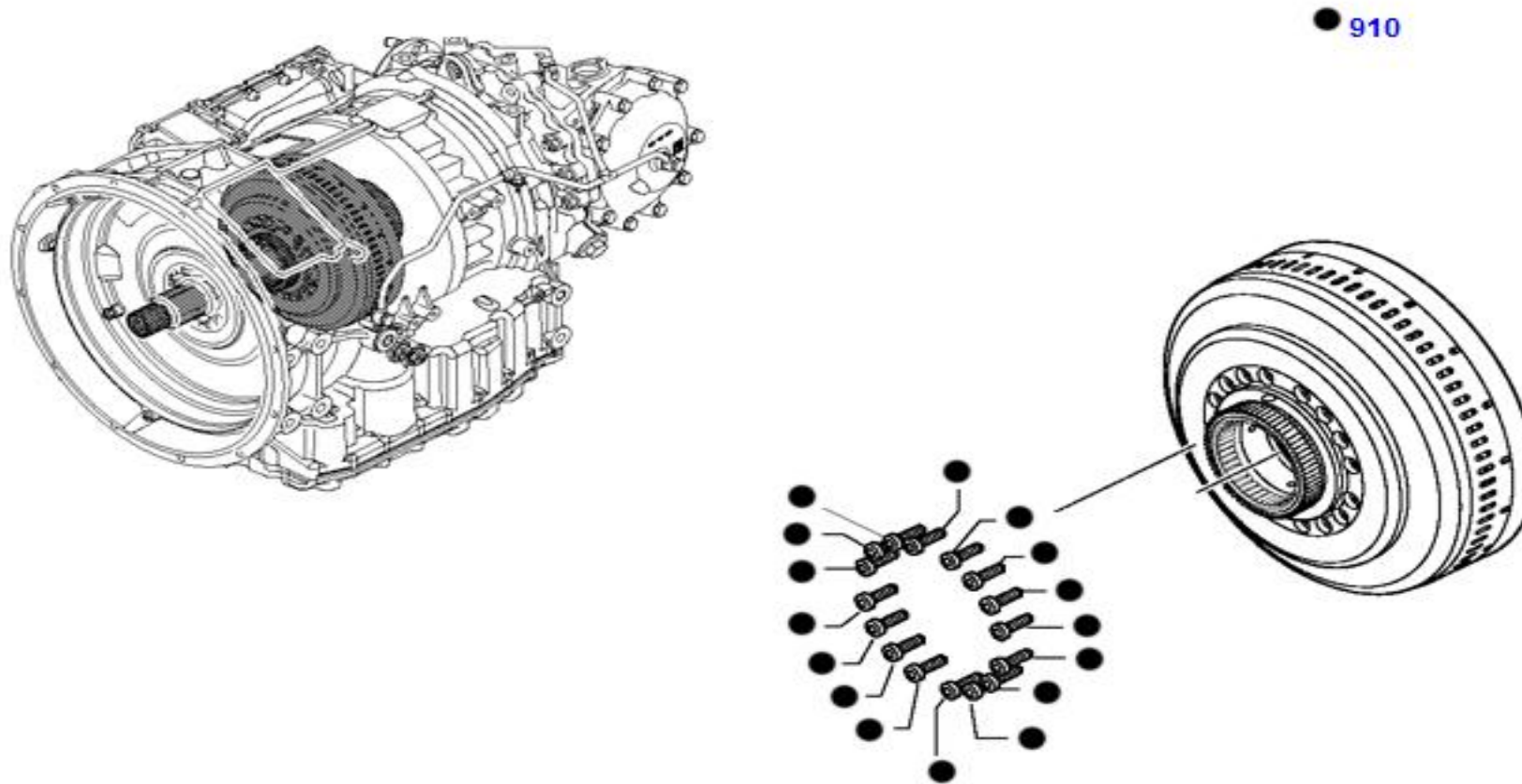
Picture No: ISZFA1048

| POZ | Part No | N.S.N | Code | Part Name (Türkçe) | Part Name (English) | Quantity |
|--------------------------|--------------|-------|------|---------------------------|---------------------|-------------|
| | | | | <i>Auto Transmission</i> | | |
| 100 | 4181.295.064 | | | NABE | HUB | |
| 110 | 0501.322.857 | | | DICHTRING | BALL JOINT | |
| 120 | 0501.322.858 | | | DICHTRING | BALL JOINT | |
| 130 | 0501.322.910 | | | O-RING | BALL JOINT | |
| 200 | 0735.298.307 | | | NADELHUELSE | NEEDLE SLEEVE | |
| 210 | 0735.298.306 | | | NADELHUELSE | NEEDLE SLEEVE | |
| Auto Transmission | | | | Transmission-Shift | | 0301 |

0301

Transmission-Shift

Auto Transmission



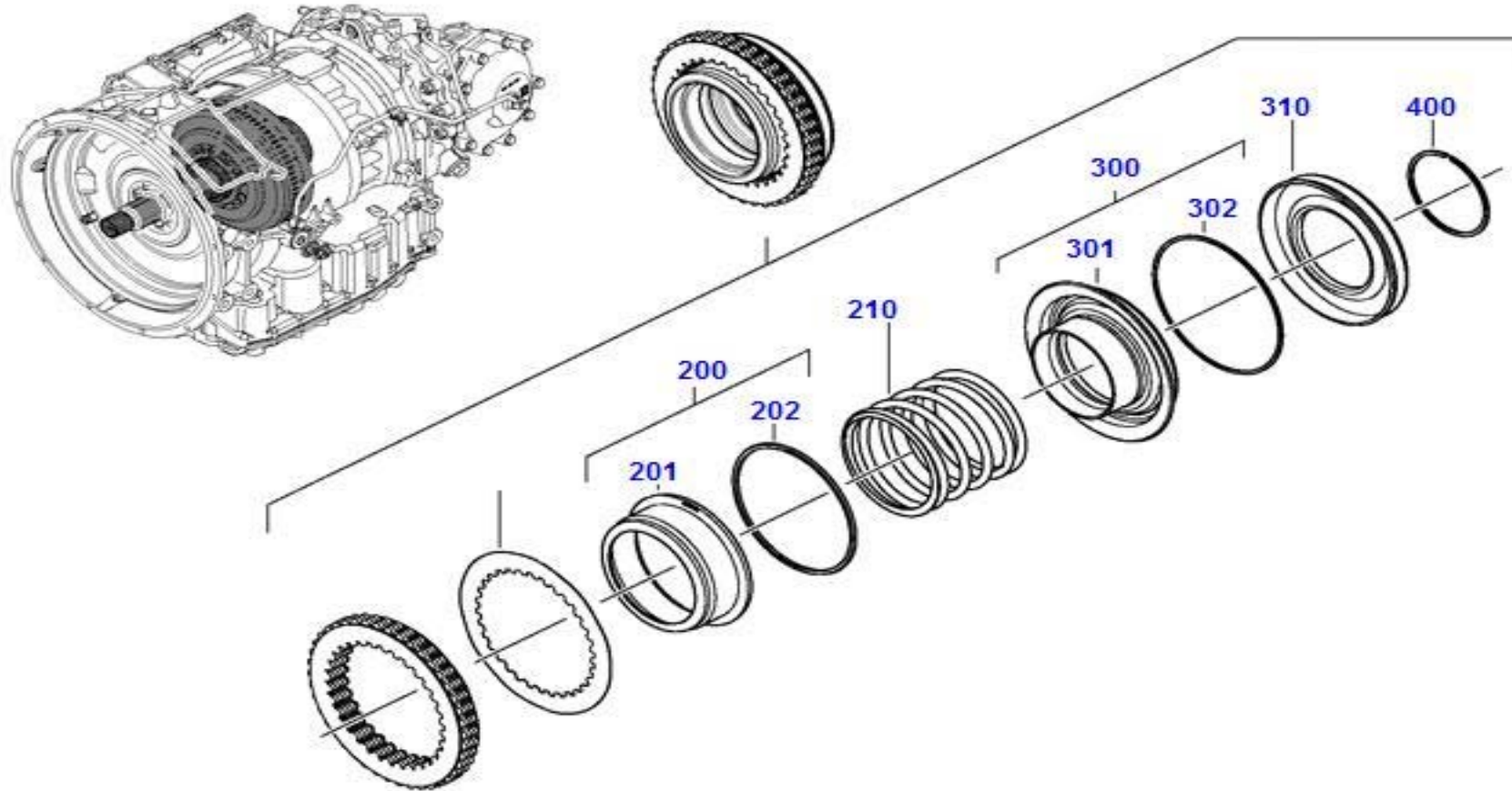
Picture No: ISZFA1049

| POZ | Part No | N.S.N | Code | Part Name (Türkçe) | Part Name (English) | Quantity |
|-------------------|--------------|-------|------|-------------------------------------|---------------------|----------|
| 910 | 0736.300.212 | | | Auto Transmission SECHSRUNDSCHR. | CAP SCREW | |
| Auto Transmission | | | | Transmission-Shift | | 0301 |

0301

Transmission-Shift

Auto Transmission



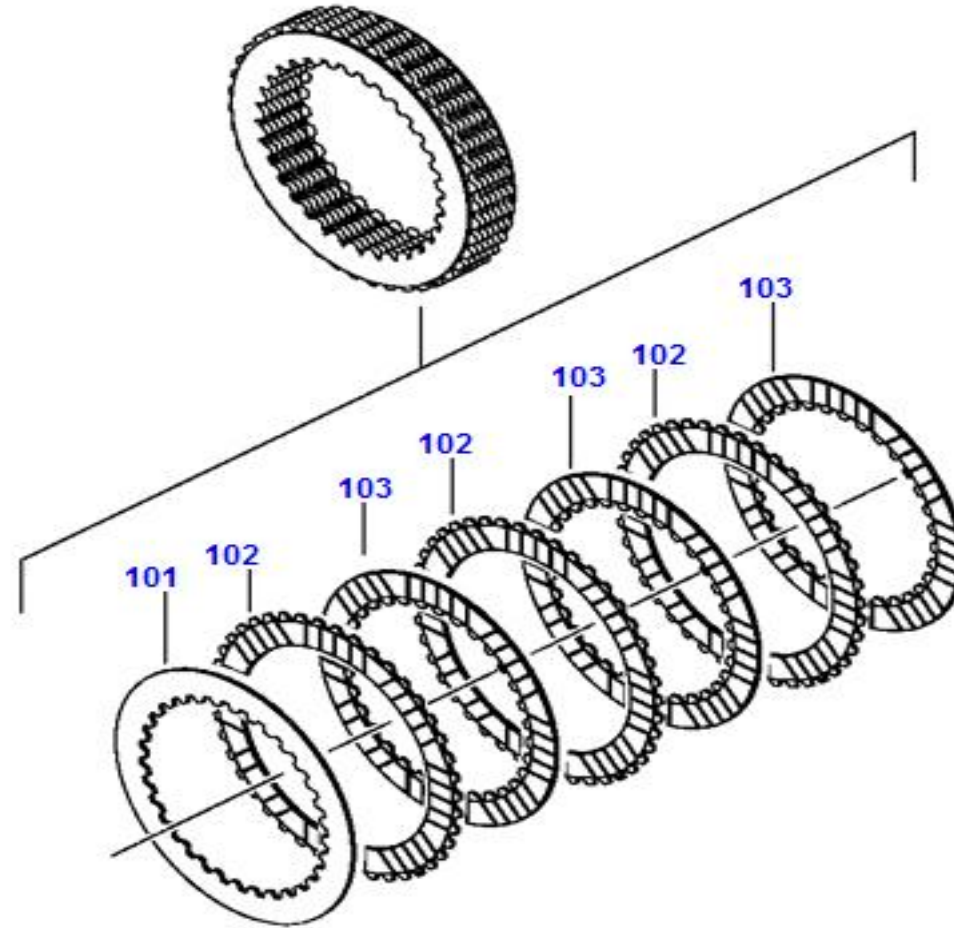
Picture No: ISZFA1050

| POZ | Part No | N.S.N | Code | Part Name (Türkçe) | Part Name (English) | Quantity |
|--------------------------|--------------|-------|------|---------------------------|---------------------|-------------|
| | | | | <i>Auto Transmission</i> | | |
| 100 | 4181.155.010 | | | MULTIDISK PACKAGE | MULTIDISK PACKAGE | |
| 200 | 4181.254.006 | | | STAUSCHEIBE | OIL DAM | |
| 201 | 4181.354.001 | | | STAUSCHEIBE | OIL DAM | |
| 202 | 0501.322.864 | | | LIPPENDICHTRING | BALL JOINT | |
| 210 | 0732.042.962 | | | DRUCKFEDER | COMPRESSION SPRING | |
| 300 | 4181.254.008 | | | KOLBEN | OIL DAM | |
| 301 | 4181.354.008 | | | KOLBEN | OIL DAM | |
| 302 | 0501.322.860 | | | DICHTRING | BALL JOINT | |
| 310 | 4181.354.006 | | | DRUCKSCHEIBE | OIL DAM | |
| 400 | 0730.514.788 | | | SPRENGRING | CIRCLIP | |
| Auto Transmission | | | | Transmission-Shift | | 0301 |

0301

Transmission-Shift

Auto Transmission



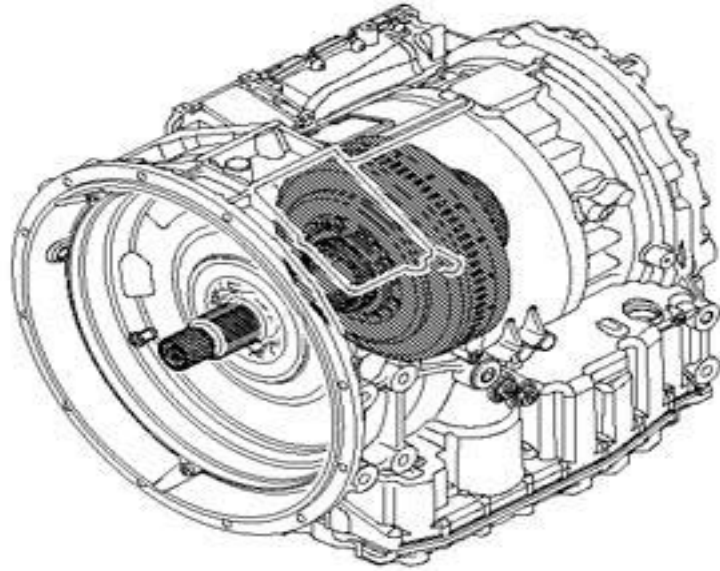
Picture No: ISZFA1051

| POZ | Part No | N.S.N | Code | Part Name (Türkçe) | Part Name (English) | Quantity |
|-------------------|--------------|-------|------|--------------------------|---------------------|----------|
| | | | | <i>Auto Transmission</i> | | |
| 101 | 4181.355.024 | | | WASHER | WASHER | |
| 101 | 4181.355.025 | | | WASHER | WASHER | |
| 101 | 4181.355.026 | | | WASHER | WASHER | |
| 102 | 4181.295.066 | | | BELAGLAMELLE | HUB | |
| 103 | 4181.295.065 | | | BELAGLAMELLE | HUB | |
| Auto Transmission | | | | Transmission-Shift | | 0301 |

0301

Transmission-Shift

Auto Transmission



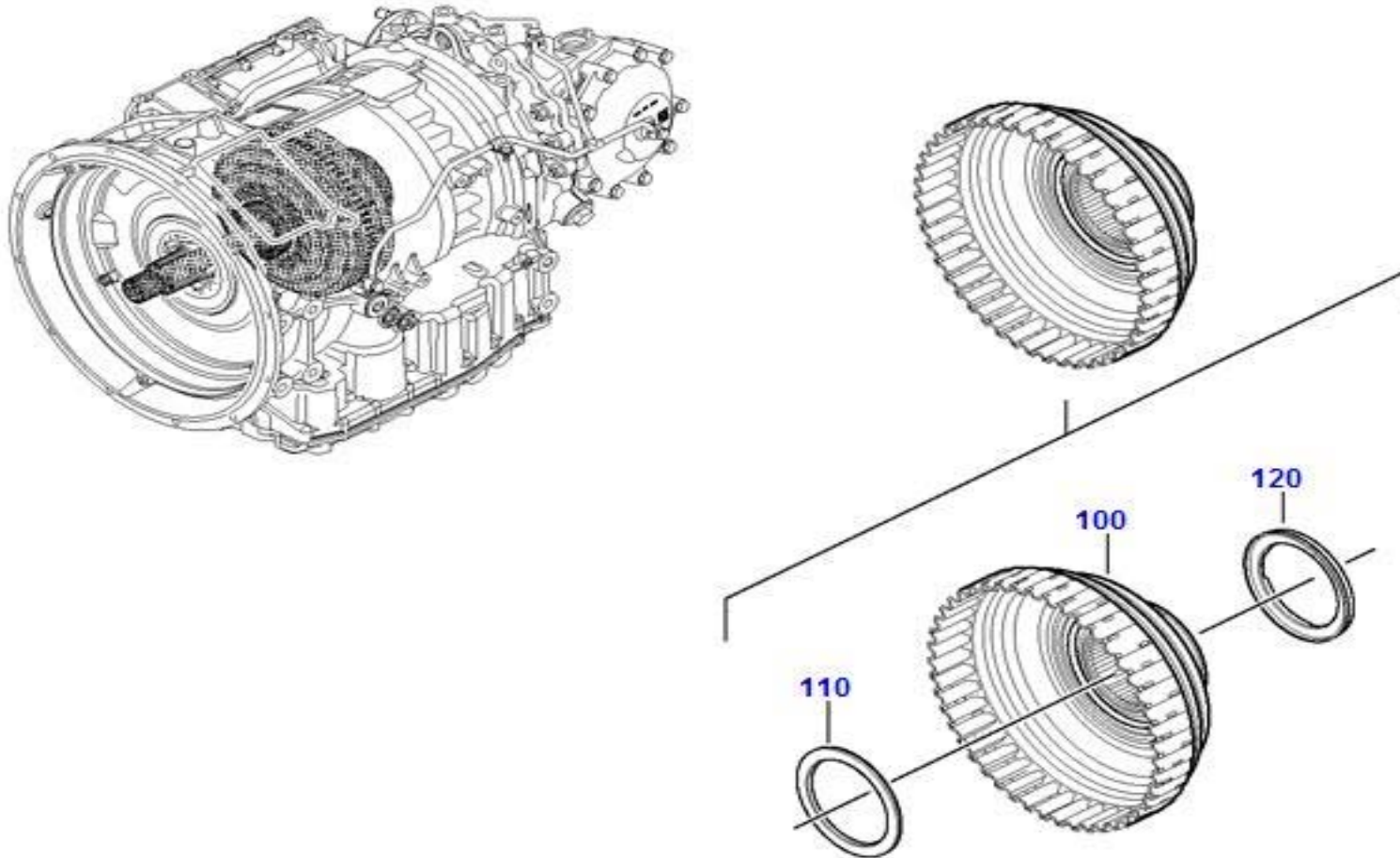
Picture No: ISZFA1052

| POZ | Part No | N.S.N | Code | Part Name (Türkçe) | Part Name (English) | Quantity |
|-------------------|--------------|-------|------|---|---------------------|----------|
| 100 | 4181.295.068 | | | <i>Auto Transmission</i> ANTRIEBSWELLE | HUB | |
| Auto Transmission | | | | Transmission-Shift | | 0301 |

0301

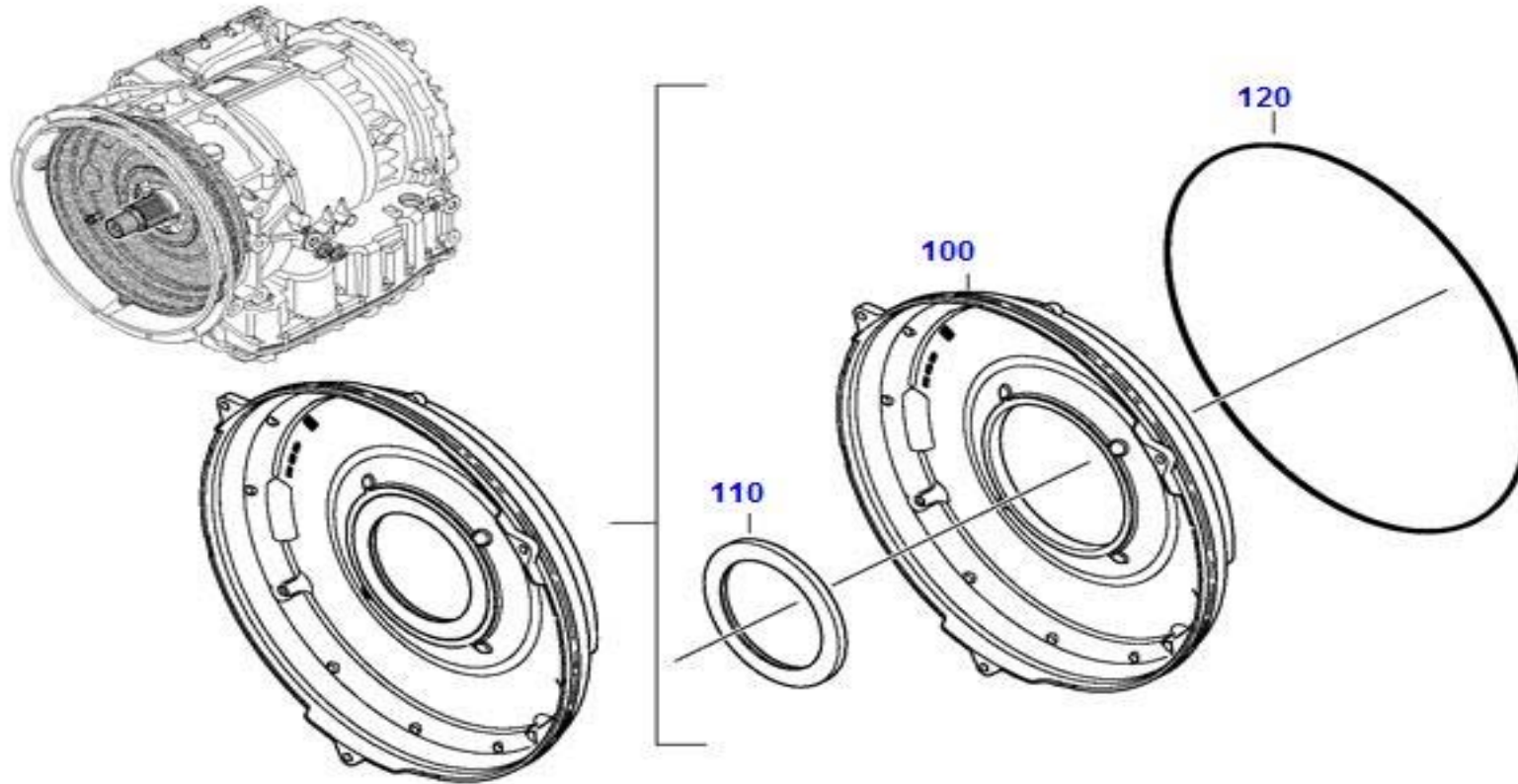
Transmission-Shift

Auto Transmission



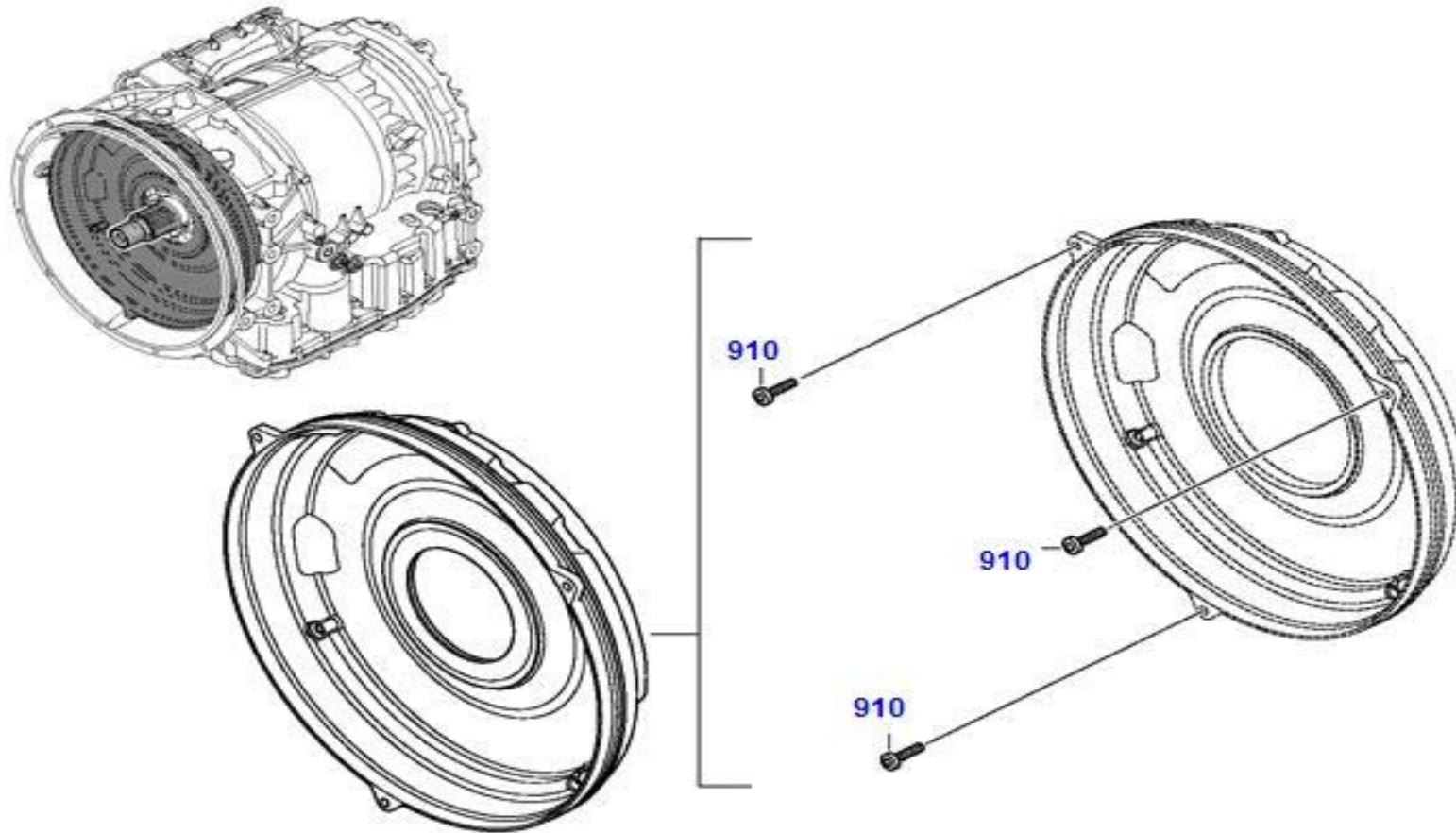
Picture No: ISZFA1053

| POZ | Part No | N.S.N | Code | Part Name (Türkçe) | Part Name (English) | Quantity |
|--------------------------|--------------|-------|------|---------------------------|----------------------|-------------|
| | | | | <i>Auto Transmission</i> | | |
| 100 | 4181.295.049 | | | HOHLWELLE | HUB | |
| 110 | 0735.368.151 | | | AXIALNADELLAGER | AXIAL NEEDLE BEARING | |
| 120 | 0735.368.152 | | | AXIALNADELLAGER | AXIAL NEEDLE BEARING | |
| Auto Transmission | | | | Transmission-Shift | | 0301 |

0301**Transmission-Shift****Auto Transmission**

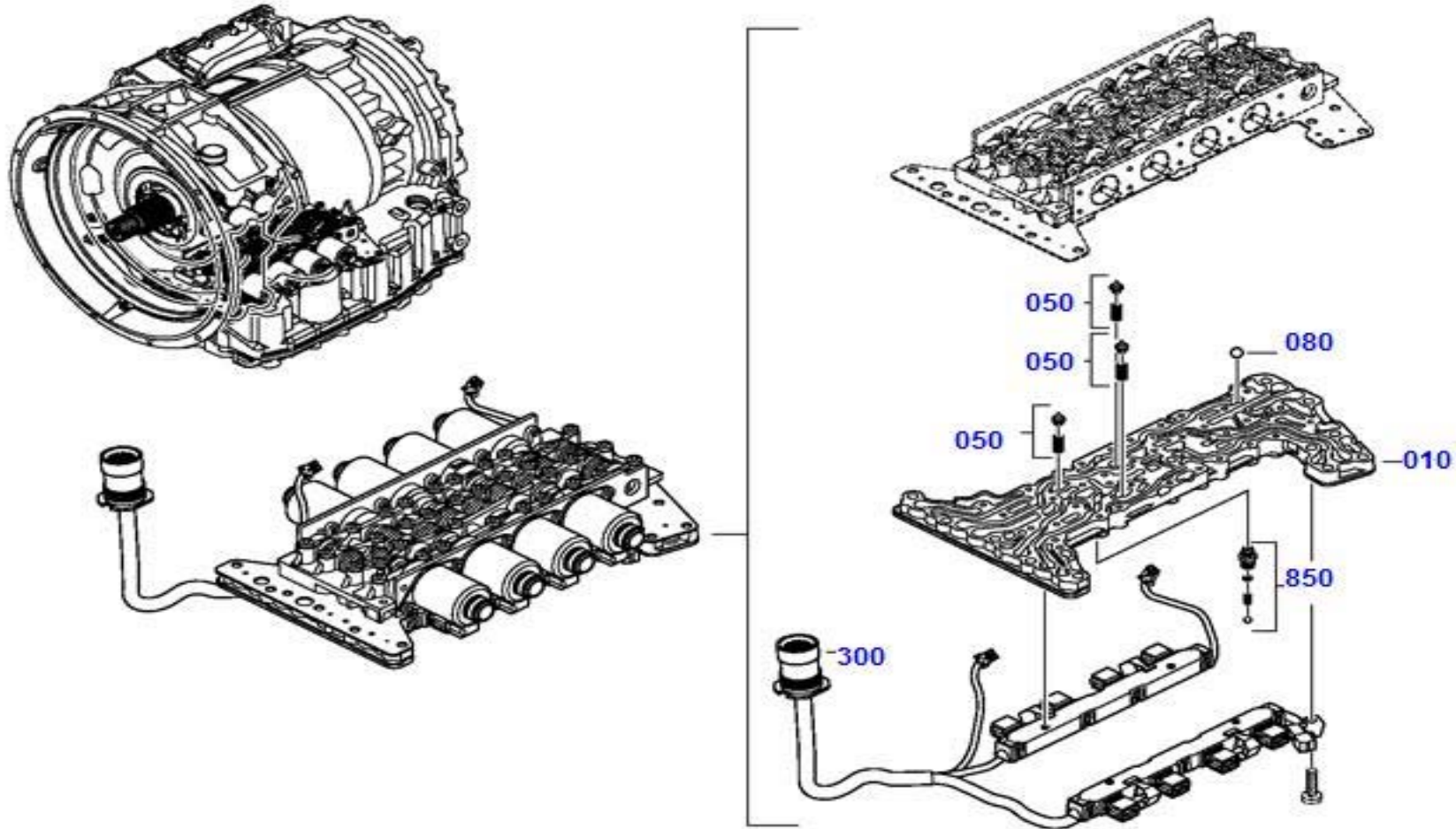
Picture No: ISZFA1054

| POZ | Part No | N.S.N | Code | Part Name (Türkçe) | Part Name (English) | Quantity |
|-------------------|--------------|-------|------|--------------------------|---------------------|----------|
| | | | | <i>Auto Transmission</i> | | |
| 100 | 4181.360.003 | | | DECKPLATTE | COVER PLATE | |
| 110 | 0734.319.791 | | | WELLENDICHTRING | CASSETTE RING | |
| 120 | 0501.325.573 | | | O-RING | AXIAL WASHER | |
| Auto Transmission | | | | Transmission-Shift | | 0301 |

0301**Transmission-Shift****Auto Transmission**

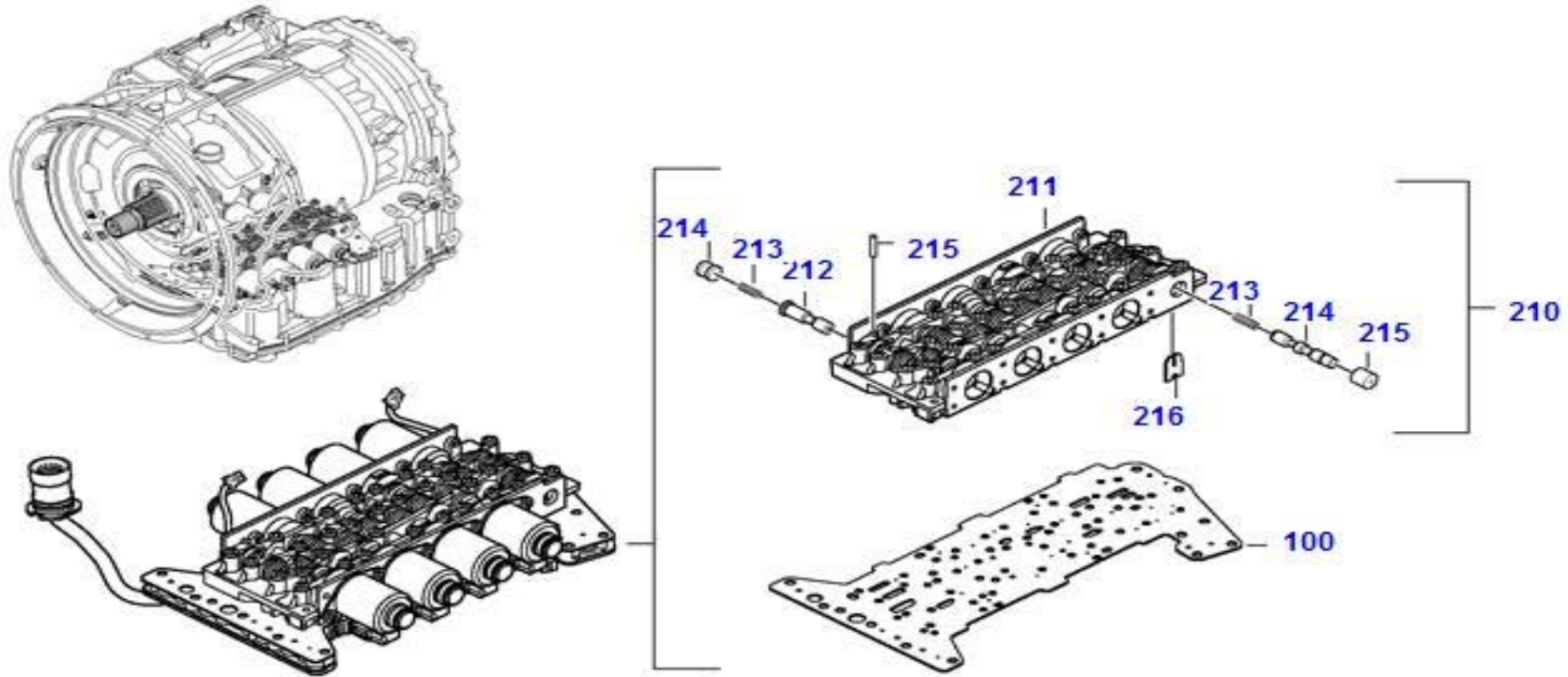
Picture No: ISZFA1055

| POZ | Part No | N.S.N | Code | Part Name (Türkçe) | Part Name (English) | Quantity |
|-------------------|--------------|-------|------|--|---------------------|----------|
| 910 | 0736.300.200 | | | <i>Auto Transmission</i> SECHSRUNDSCHR. | CAP SCREW | |
| Auto Transmission | | | | Transmission-Shift | | 0301 |

0301**Transmission-Shift****Auto Transmission**

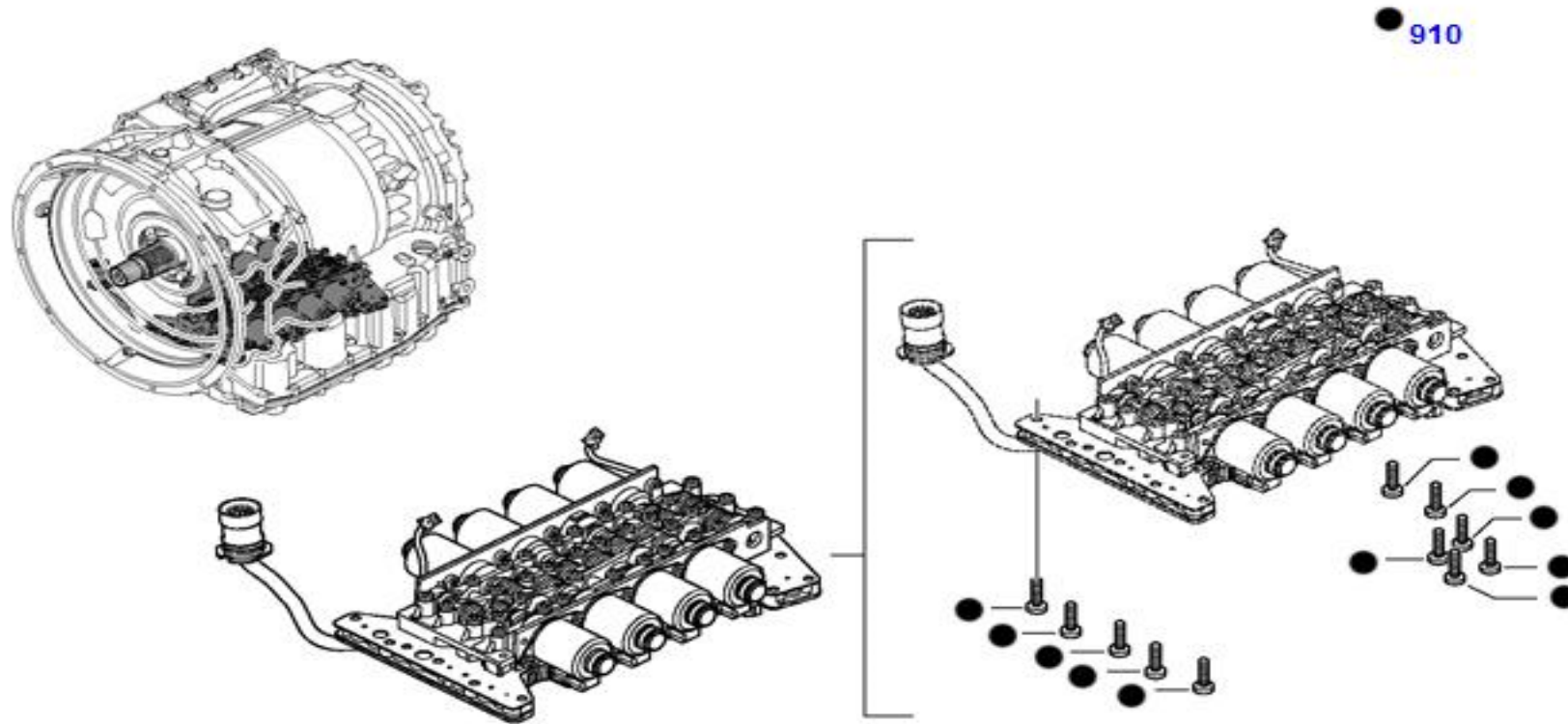
Picture No: ISZFA1056

| POZ | Part No | N.S.N | Code | Part Name (Türkçe) | Part Name (English) | Quantity |
|-----|--------------|-------|------|--------------------------|---------------------------|-------------|
| | | | | <i>Auto Transmission</i> | | |
| 000 | 4181.170.803 | | | VALVE BLOCK | VALVE BLOCK | |
| 010 | 4181.370.080 | | | KANALPLATTE | DUCT PLATE | |
| 050 | 1068.227.022 | | | VENTIL | VALVE | |
| 080 | 0635.460.021 | | | KUGEL | BALL | |
| 300 | 6029.039.090 | | | KABEL ECOLIFE | CABLE ECOLIFE | |
| 850 | 4181.270.020 | | | VENTIL | VALVE | |
| | | | | Auto Transmission | Transmission-Shift | 0301 |

0301**Transmission-Shift****Auto Transmission**

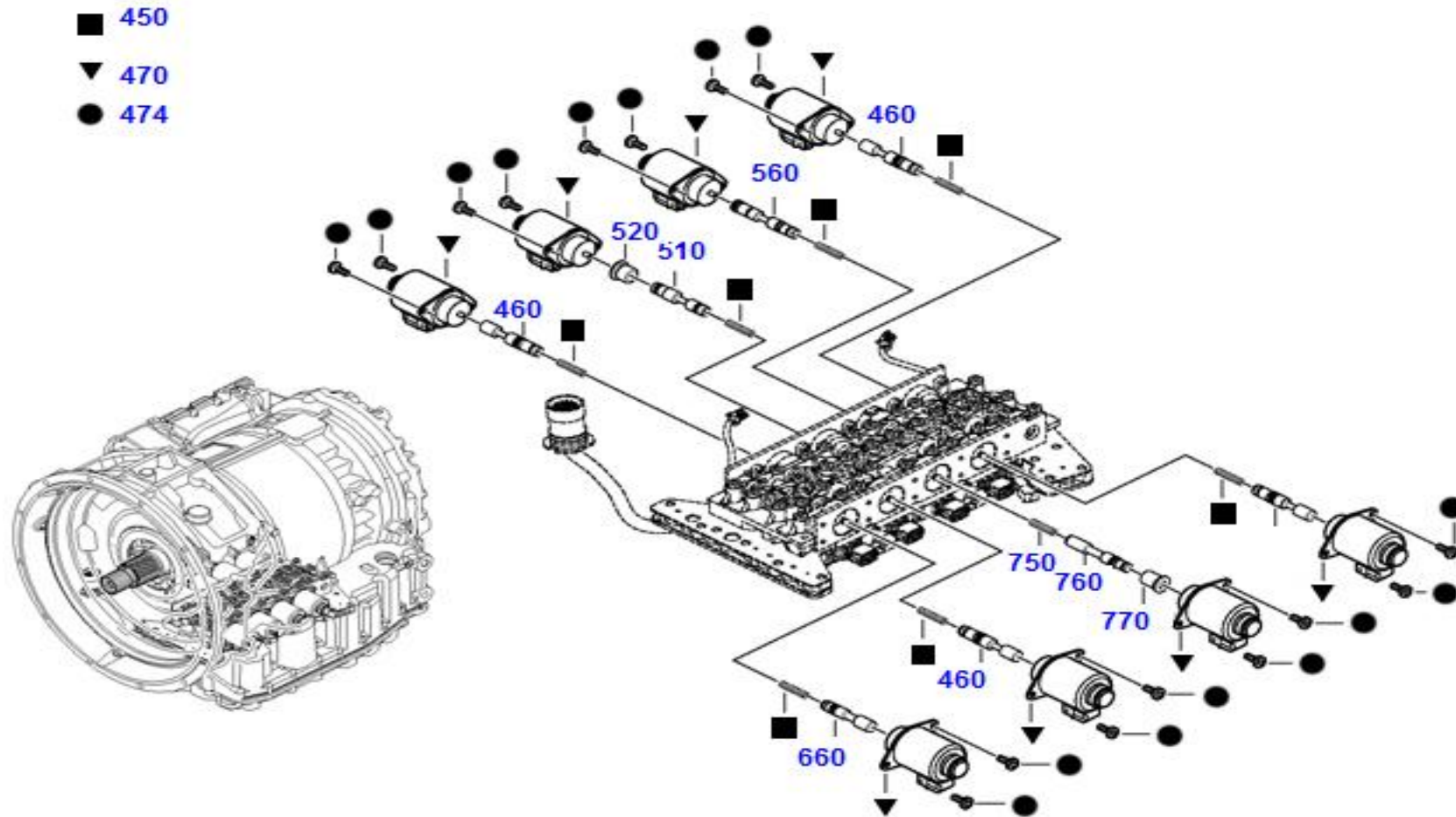
Picture No: ISZFA1057

| POZ | Part No | N.S.N | Code | Part Name (Türkçe) | Part Name (English) | Quantity |
|--------------------------|--------------|-------|------|---------------------------|---------------------|-------------|
| | | | | <i>Auto Transmission</i> | | |
| 100 | 4181.370.081 | | | ZWISCHENBLECH | DUCT PLATE | |
| 210 | 4181.270.021 | | | VENTILBLOCK | VALVE | |
| 211 | 4181.370.067 | | | VENTILBLOCK | DUCT PLATE | |
| 212 | 4181.370.101 | | | KOLBEN | DUCT PLATE | |
| 213 | 0732.042.100 | | | DRUCKFEDER | COMPRESSION SPRING | |
| 214 | 4181.370.102 | | | STOPFEN | DUCT PLATE | |
| 214 | 4181.370.100 | | | KOLBEN | DUCT PLATE | |
| 215 | 0631.306.050 | | | ZYLINDERSTIFT | CYLINDRICAL PIN | |
| 215 | 4181.370.072 | | | HUELSE | DUCT PLATE | |
| 216 | 4181.370.092 | | | HALTEBLECH | DUCT PLATE | |
| Auto Transmission | | | | Transmission-Shift | | 0301 |

0301**Transmission-Shift****Auto Transmission**

Picture No: ISZFA1058

| POZ | Part No | N.S.N | Code | Part Name (Türkçe) | Part Name (English) | Quantity |
|-------------------|--------------|-------|------|-------------------------------------|---------------------|----------|
| 910 | 0736.300.200 | | | Auto Transmission SECHSRUNDSCHR. | CAP SCREW | |
| Auto Transmission | | | | Transmission-Shift | | 0301 |

0301**Transmission-Shift****Auto Transmission**

Picture No: ISZFA1059

| POZ | Part No | N.S.N | Code | Part Name (Türkçe) | Part Name (English) | Quantity |
|-----|--------------|-------|------|--------------------------|---------------------|----------|
| | | | | <i>Auto Transmission</i> | | |
| 450 | 0732.042.100 | | | DRUCKFEDER | COMPRESSION SPRING | |
| 460 | 4181.370.095 | | | KOLBEN | DUCT PLATE | |
| 470 | 0501.323.553 | | | MAGNET | AIR SPRING BELLOWS | |
| 474 | 0736.300.195 | | | SECHSRUNDSCHR. | CAP SCREW | |
| 510 | 4181.370.096 | | | KOLBEN | DUCT PLATE | |
| 520 | 4181.370.017 | | | HUELSE | DUCT PLATE | |
| 560 | 4181.370.099 | | | KOLBEN | DUCT PLATE | |
| 660 | 4181.370.097 | | | KOLBEN | DUCT PLATE | |
| 750 | 0732.041.979 | | | DRUCKFEDER | COMPRESSION SPRING | |
| 760 | 4181.370.098 | | | KOLBEN | DUCT PLATE | |
| 770 | 4181.370.077 | | | HUELSE | DUCT PLATE | |

Auto Transmission

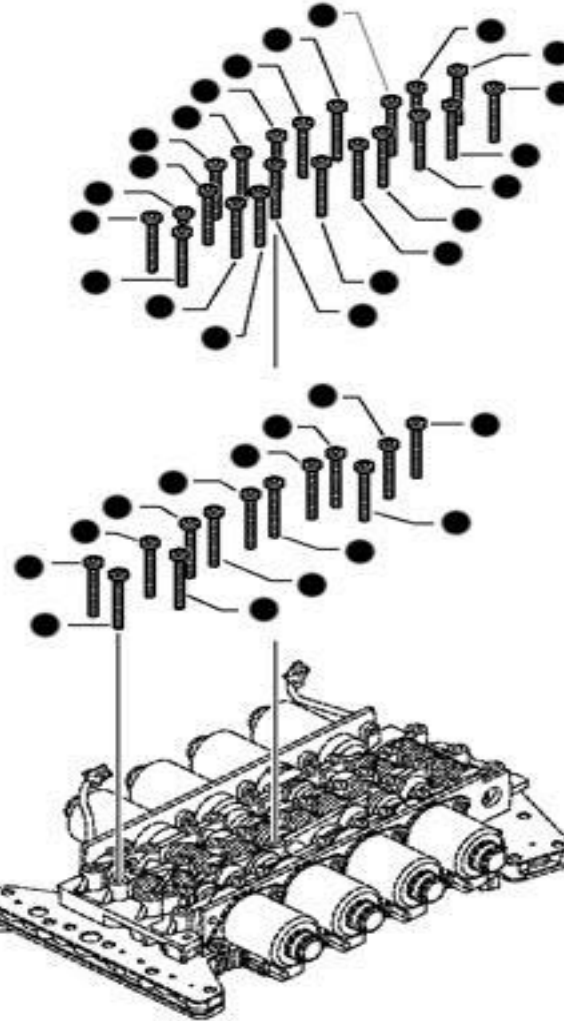
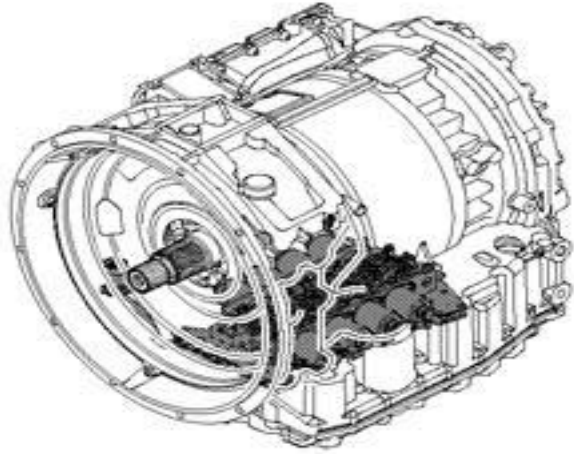
Transmission-Shift

0301

0301

Transmission-Shift

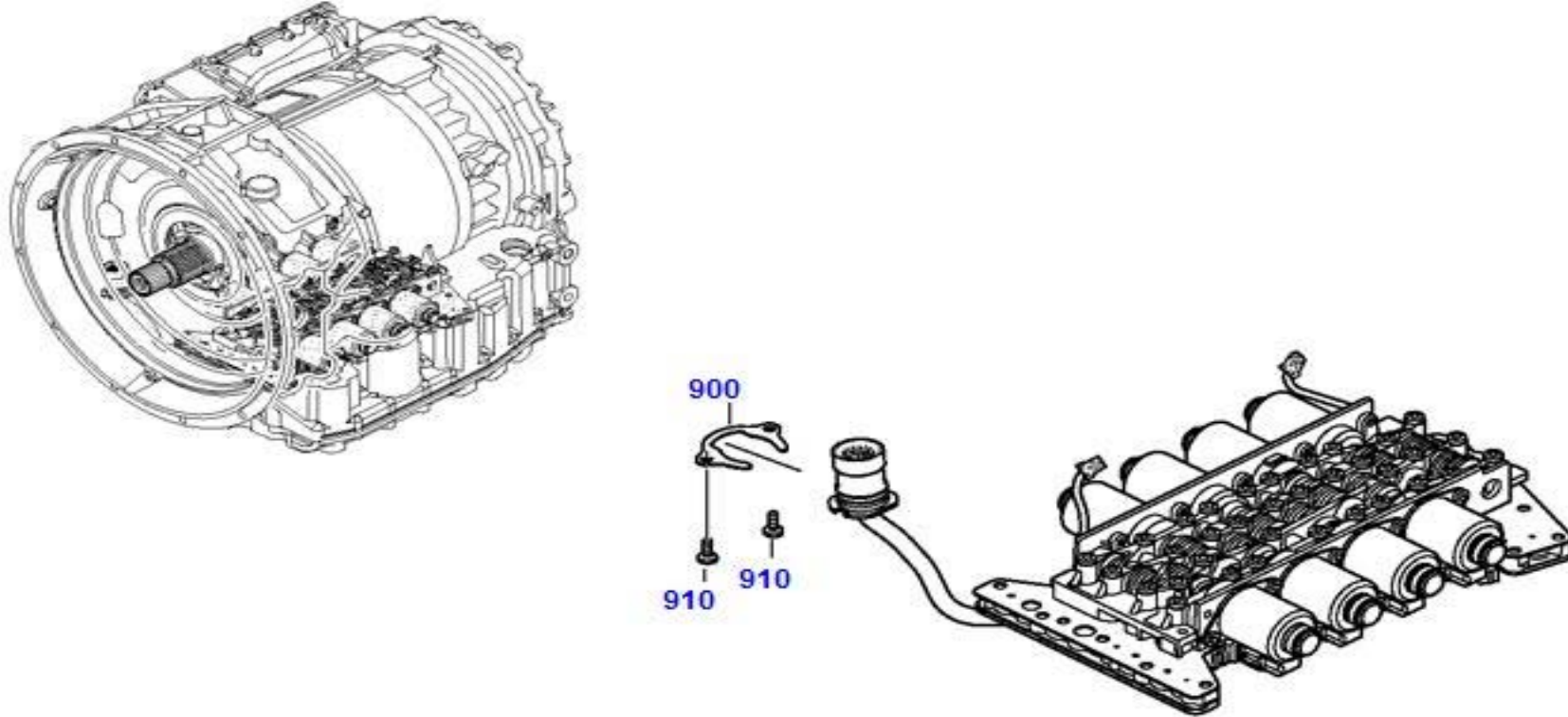
Auto Transmission



● 910

Picture No: ISZFA1060

| POZ | Part No | N.S.N | Code | Part Name (Türkçe) | Part Name (English) | Quantity |
|-------------------|--------------|-------|------|--|---------------------|----------|
| 910 | 0736.300.196 | | | <i>Auto Transmission</i> SECHSRUNDSCHR. | CAP SCREW | |
| Auto Transmission | | | | Transmission-Shift | | 0301 |

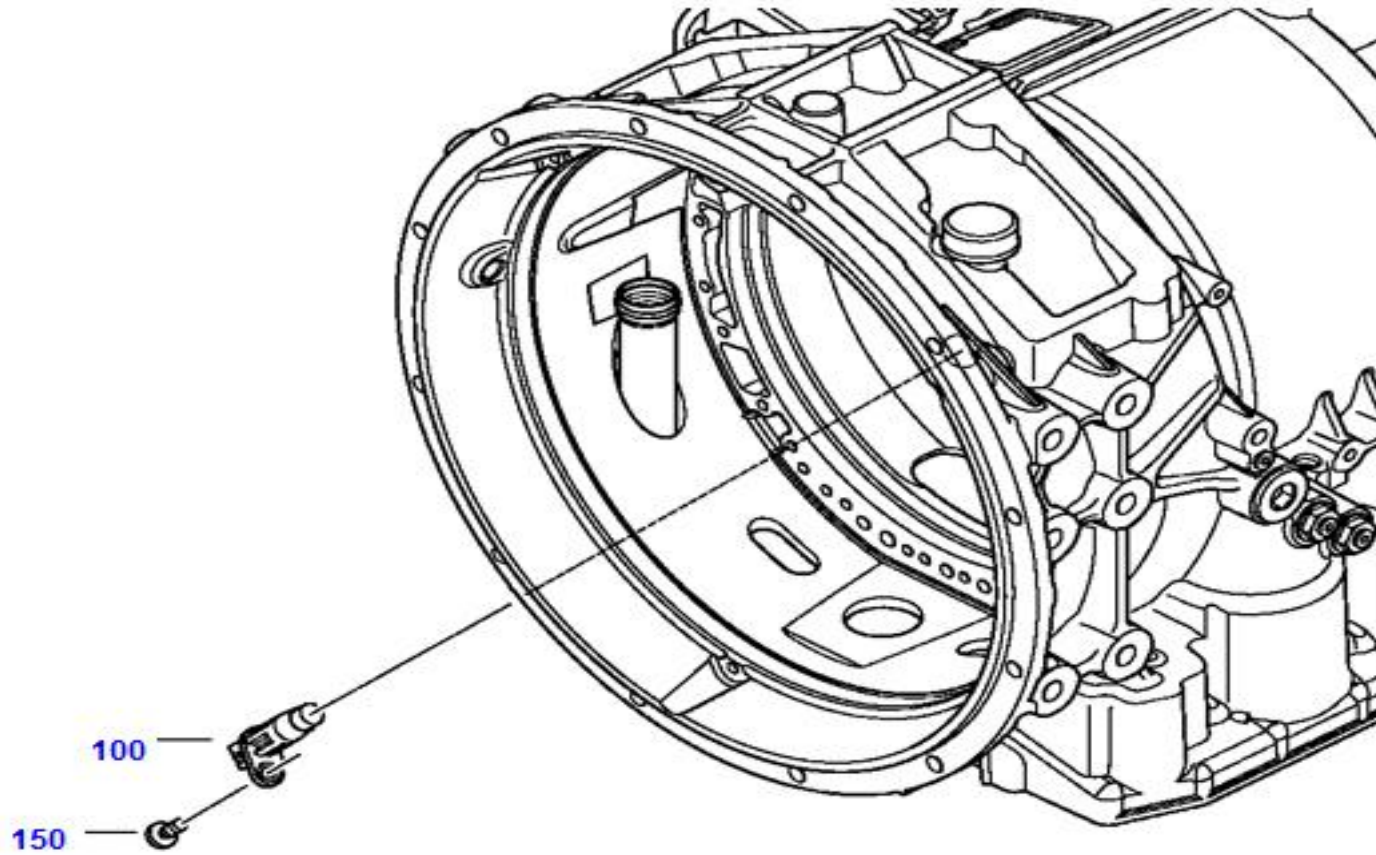
0301**Transmission-Shift****Auto Transmission**

Picture No: ISZFA1061

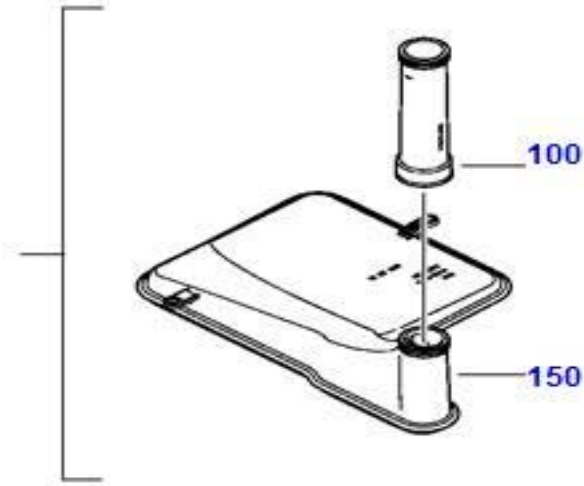
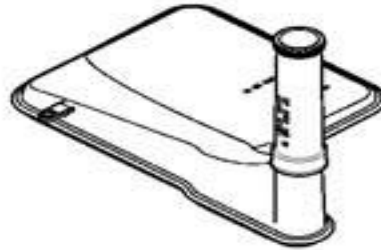
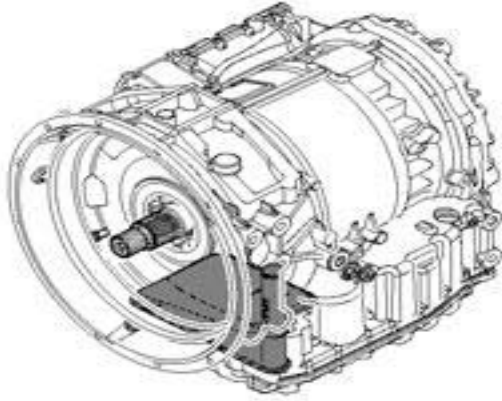
0301

Transmission-Shift

Auto Transmission



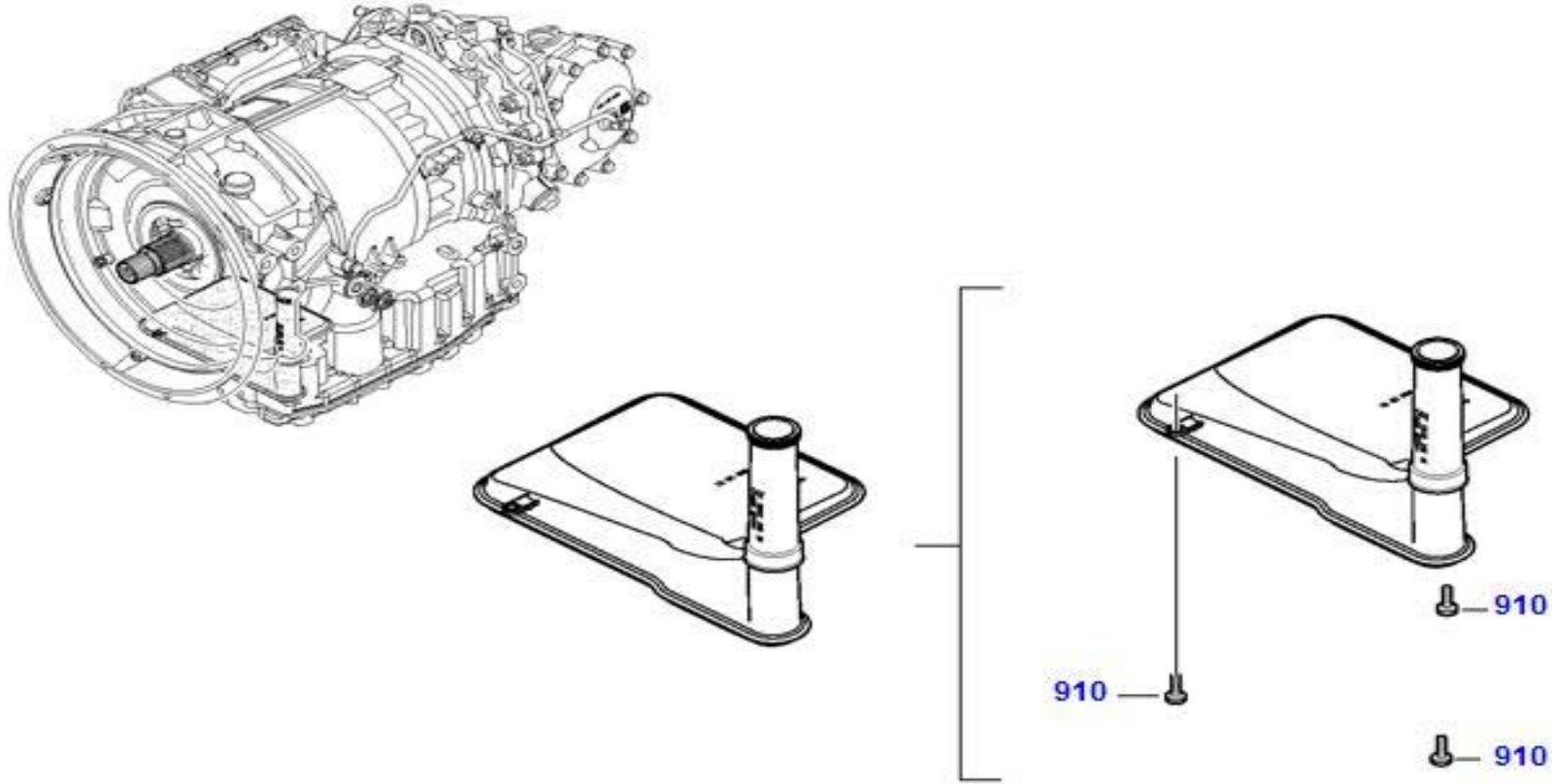
Picture No: ISZFA1062

0301**Transmission-Shift****Auto Transmission**

Picture No: ISZFA1063



| POZ | Part No | N.S.N | Code | Part Name (Türkçe) | Part Name (English) | Quantity |
|-------------------|--------------|-------|------|--------------------------|---------------------|----------|
| | | | | <i>Auto Transmission</i> | | |
| 100 | 0501.215.111 | | | SUCTION TUBE | SUCTION TUBE | |
| 150 | 0501.217.460 | | | SAUGFILTER | OIL COOLER | |
| Auto Transmission | | | | Transmission-Shift | | 0301 |

0301**Transmission-Shift****Auto Transmission**

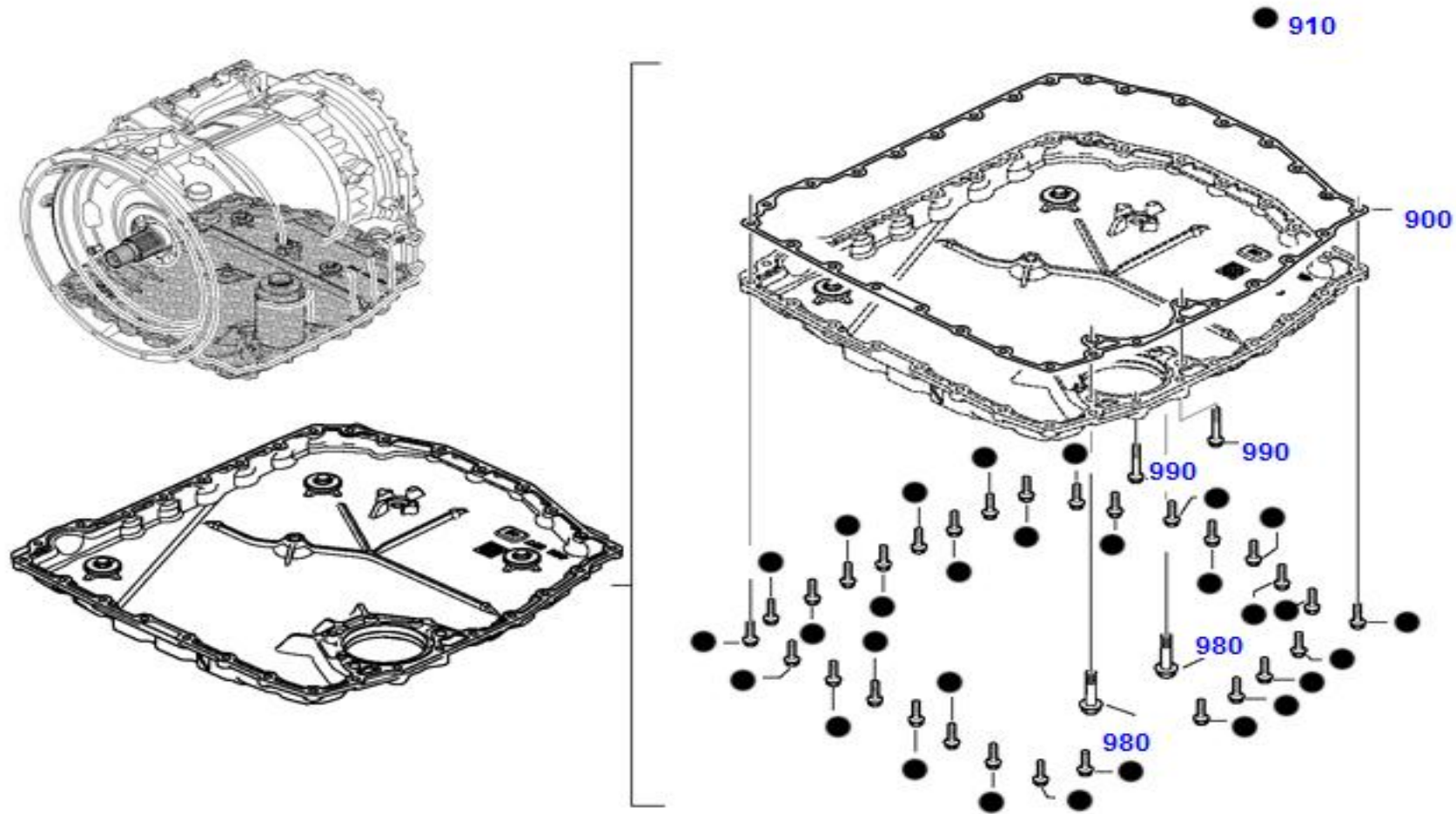
Picture No: ISZFA1064

| POZ | Part No | N.S.N | Code | Part Name (Türkçe) | Part Name (English) | Quantity |
|-------------------|--------------|-------|------|-------------------------------------|---------------------|----------|
| 910 | 0736.300.197 | | | Auto Transmission SECHSRUNDSCHR. | CAP SCREW | |
| Auto Transmission | | | | Transmission-Shift | | 0301 |

0301

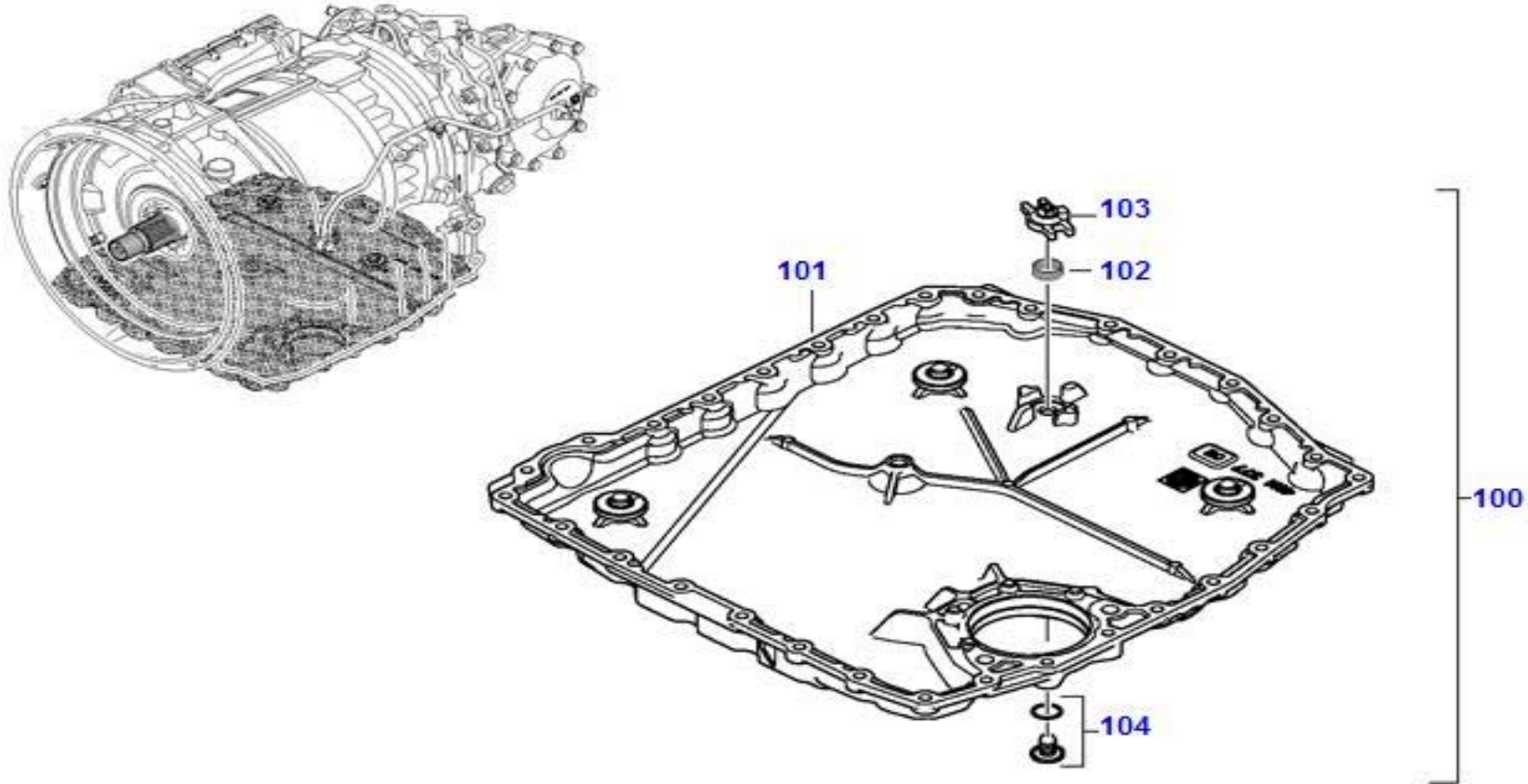
Transmission-Shift

Auto Transmission



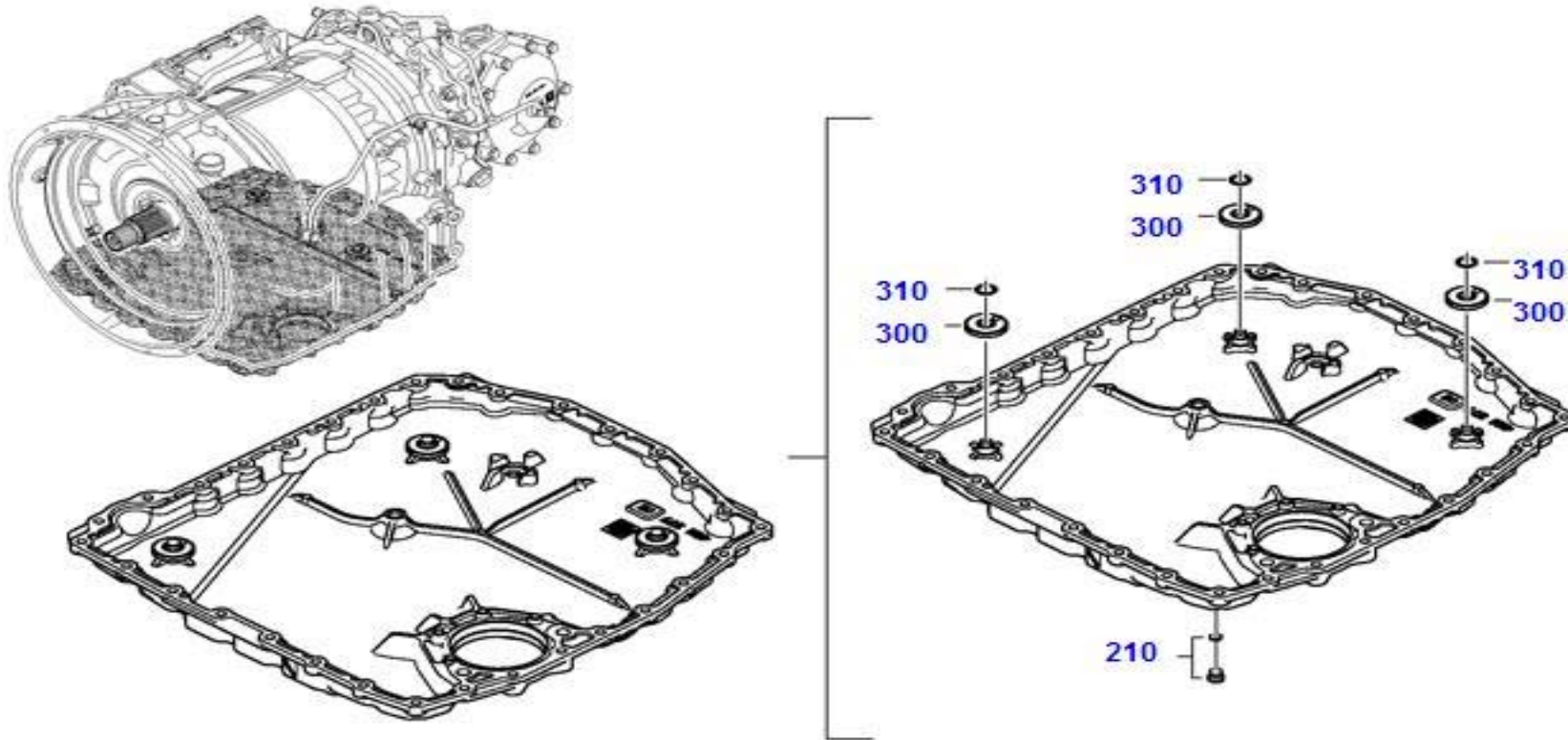
Picture No: ISZFA1065

| POZ | Part No | N.S.N | Code | Part Name (Türkçe) | Part Name (English) | Quantity |
|--------------------------|--------------|-------|------|---------------------------|---------------------|-------------|
| | | | | <i>Auto Transmission</i> | | |
| 900 | 0501.324.766 | | | DICHTUNG | BRAKE CYLINDER | |
| 910 | 0636.100.442 | | | 6KT.SCHRAUBE | CAP SCREW | |
| 980 | 0636.100.833 | | | KOMBISCHRAUBE | CAP SCREW | |
| 990 | 0636.100.439 | | | 6KT.SCHRAUBE | CAP SCREW | |
| Auto Transmission | | | | Transmission-Shift | | 0301 |

0301**Transmission-Shift****Auto Transmission**

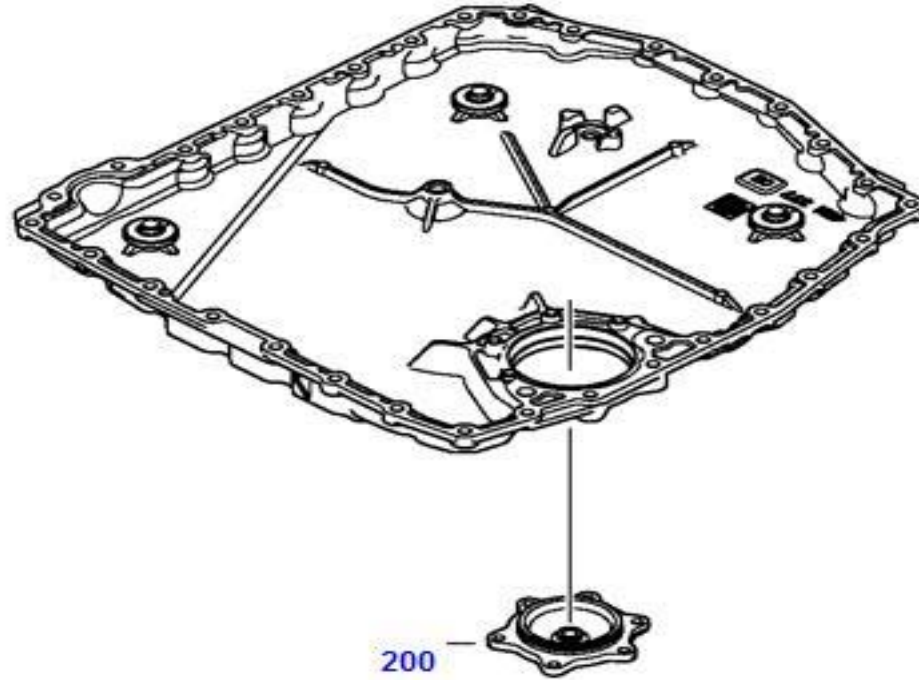
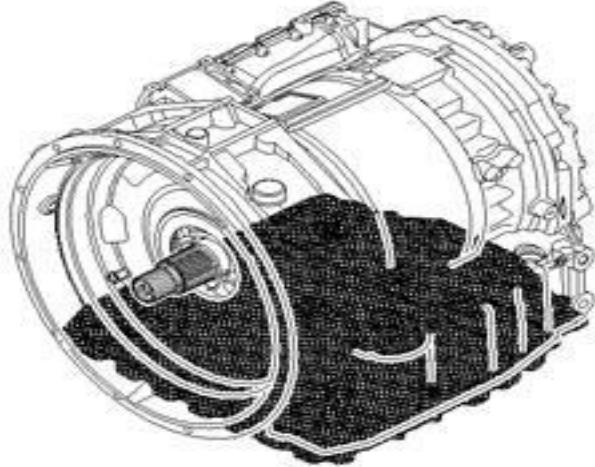
Picture No: ISZFA1066

| POZ | Part No | N.S.N | Code | Part Name (Türkçe) | Part Name (English) | Quantity |
|--------------------------|--------------|-------|------|---------------------------|---------------------|-------------|
| | | | | <i>Auto Transmission</i> | | |
| 100 | 4181.277.050 | | | OELWANNE | OIL PAN | |
| 101 | 4181.377.004 | | | OELWANNE | CAP | |
| 102 | 0732.042.981 | | | DRUCKFEDER | COMPRESSION SPRING | |
| 103 | 4181.377.008 | | | KAPPE | CAP | |
| 104 | 4181.377.018 | | | VERSCHL.SCHR. | CAP | |
| 104 | 0501.322.975 | | | O-RING | BALL JOINT | |
| Auto Transmission | | | | Transmission-Shift | | 0301 |

0301**Transmission-Shift****Auto Transmission**

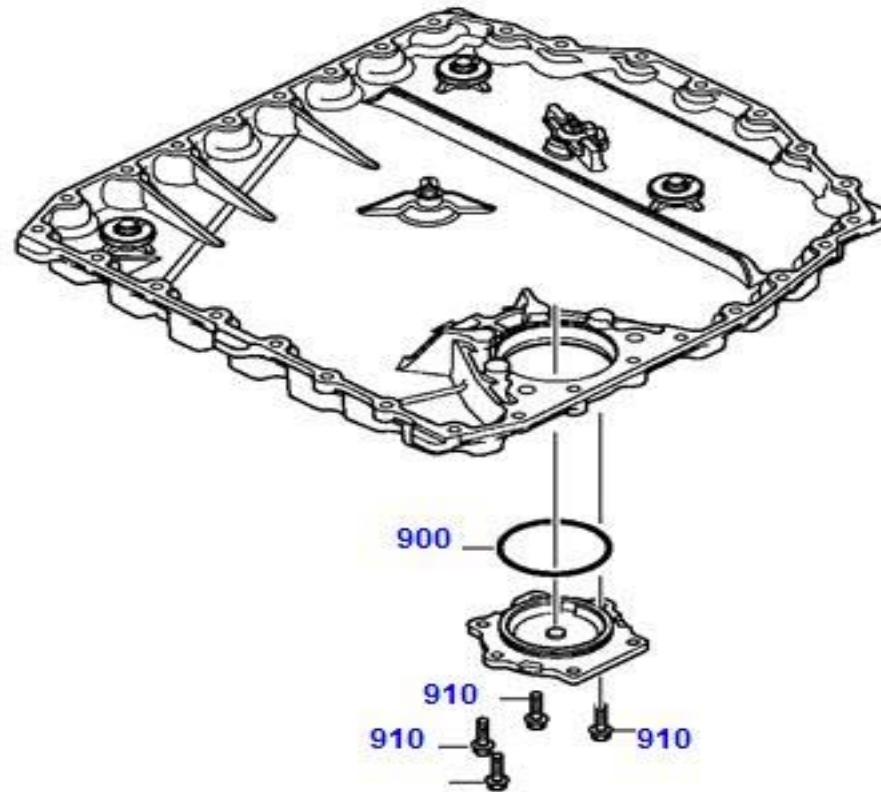
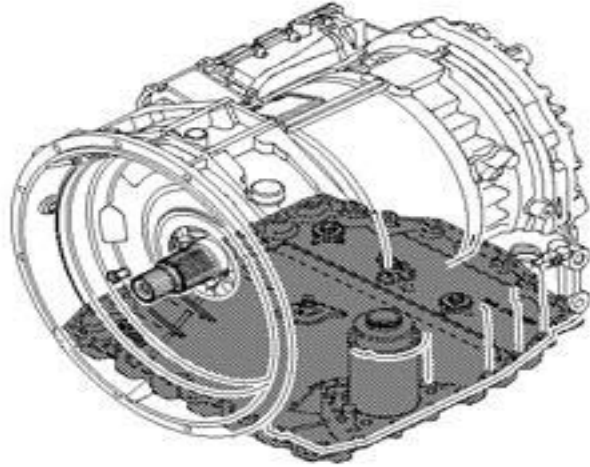
Picture No: ISZFA1067

| POZ | Part No | N.S.N | Code | Part Name (Türkçe) | Part Name (English) | Quantity |
|--------------------------|--------------|-------|------|---------------------------|---------------------|-------------|
| | | | | <i>Auto Transmission</i> | | |
| 210 | 0636.100.793 | | | VERSCHLUSSSCHRAUBE | CAP SCREW | |
| 210 | 0501.322.905 | | | O-RING | BALL JOINT | |
| 300 | 0501.313.800 | | | MAGNET | MAGNET | |
| 310 | 0630.531.244 | | | GREIFRING | GRIPPING RING | |
| Auto Transmission | | | | Transmission-Shift | | 0301 |

0301**Transmission-Shift****Auto Transmission**

Picture No: ISZFA1068

| POZ | Part No | N.S.N | Code | Part Name (Türkçe) | Part Name (English) | Quantity |
|-------------------|--------------|-------|------|--|---------------------|----------|
| 200 | 4181.378.007 | | | <i>Auto Transmission</i> FILTERDECKEL | FILTER COVER | |
| Auto Transmission | | | | Transmission-Shift | | 0301 |

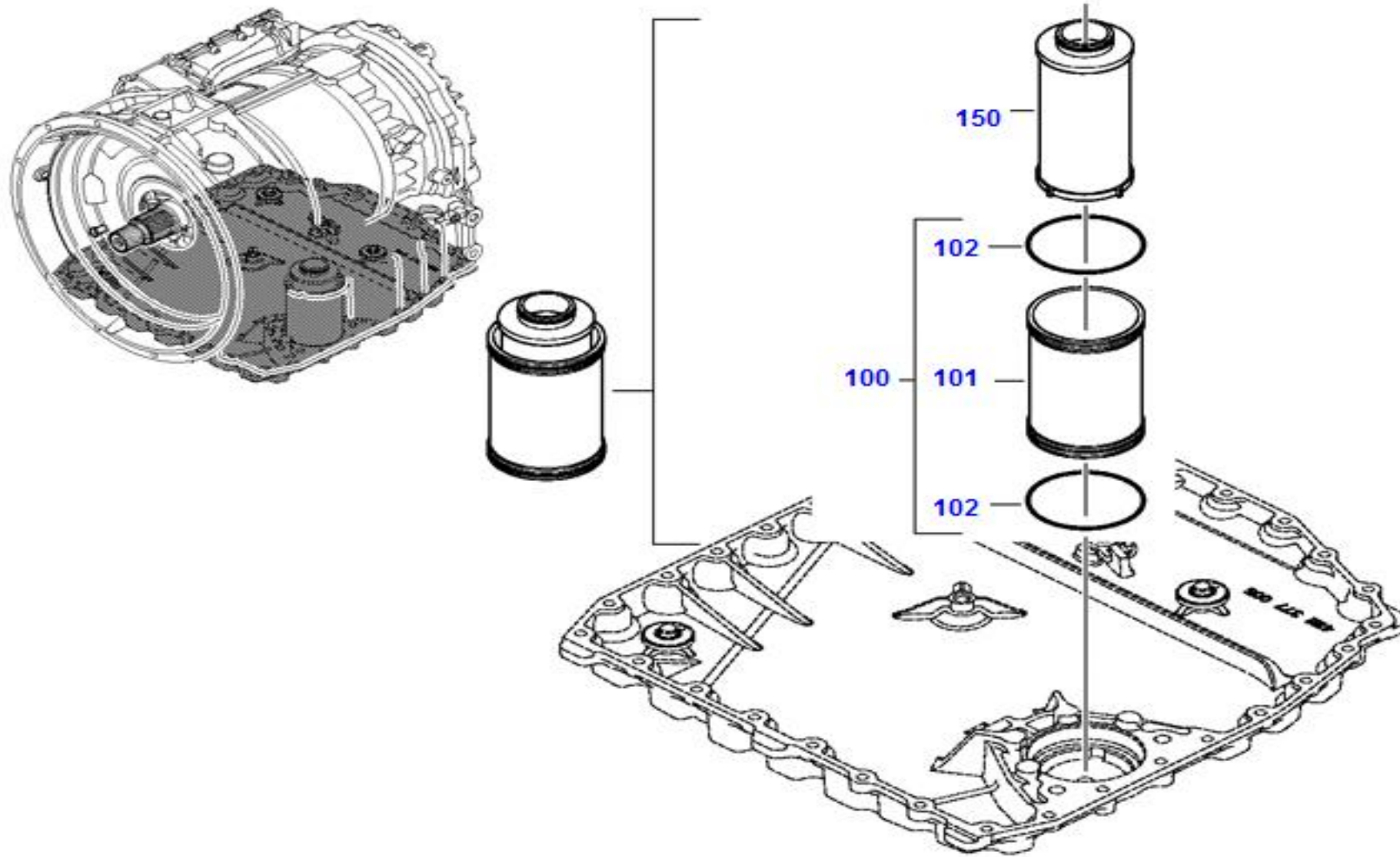
0301**Transmission-Shift****Auto Transmission**

Picture No: ISZFA1069

0301

Transmission-Shift

Auto Transmission



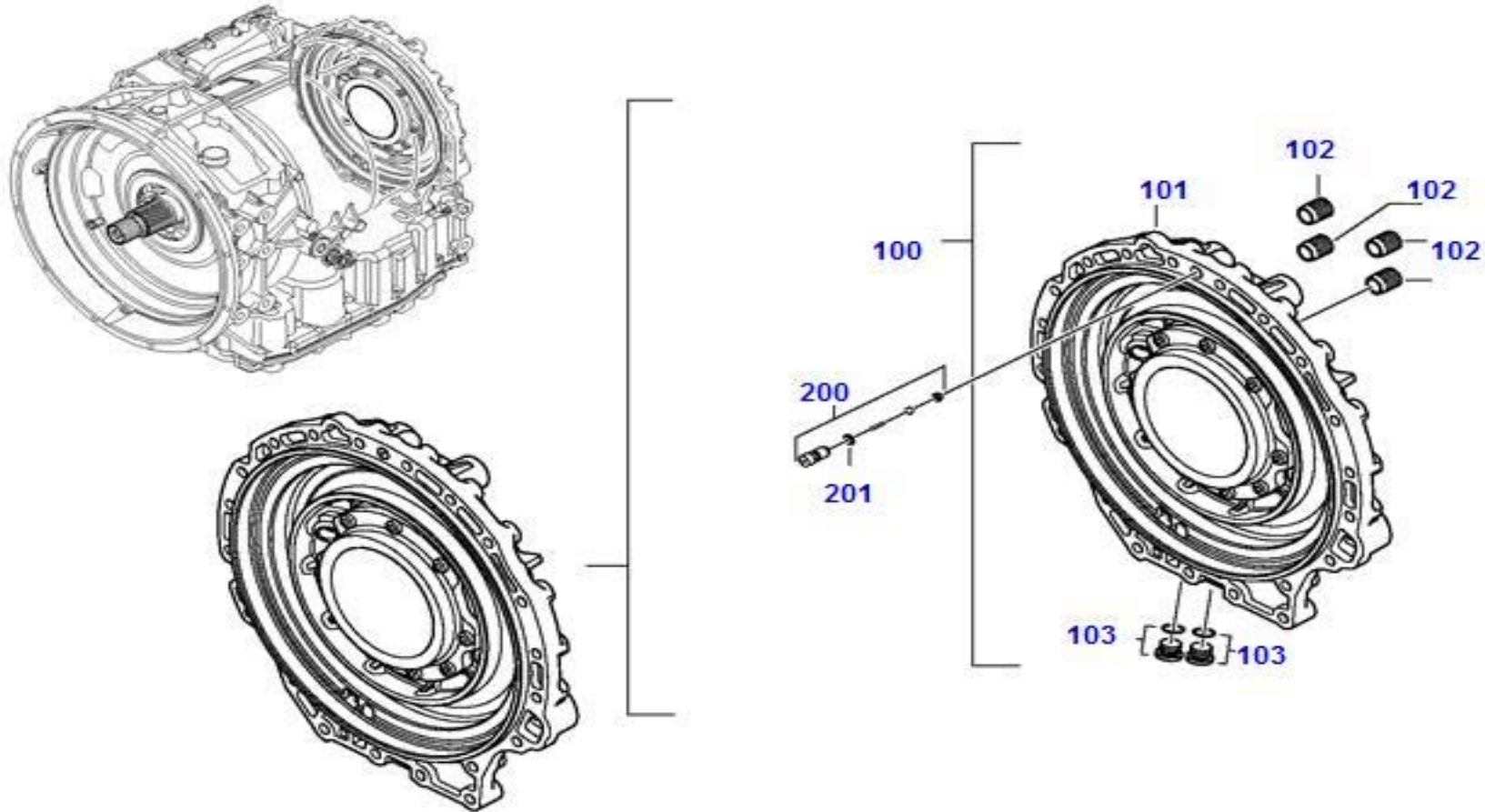
Picture No: ISZFA1070

| POZ | Part No | N.S.N | Code | Part Name (Türkçe) | Part Name (English) | Quantity |
|-----|--------------|-------|------|--------------------------|---------------------------|-------------|
| | | | | <i>Auto Transmission</i> | | |
| 100 | 4181.279.003 | | | HUELSE | SLEEVE | |
| 101 | 4181.379.004 | | | HUELSE | SLEEVE | |
| 102 | 0501.322.914 | | | O-RING | BALL JOINT | |
| 150 | 0501.325.886 | | | PRESSURE FILTER | PRESSURE FILTER | |
| | | | | Auto Transmission | Transmission-Shift | 0301 |

0301

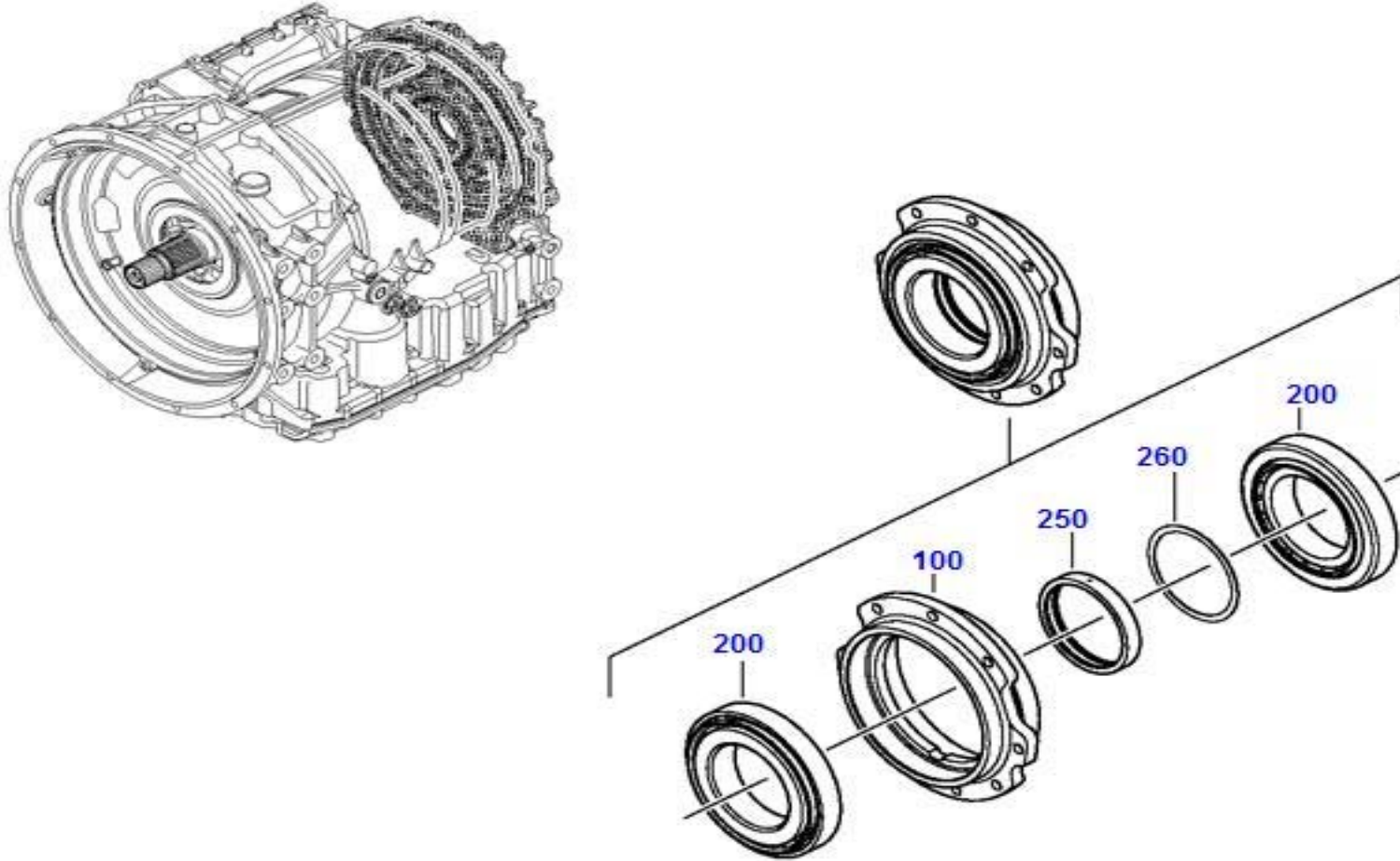
Transmission-Shift

Auto Transmission



Picture No: ISZFA1071

| POZ | Part No | N.S.N | Code | Part Name (Türkçe) | Part Name (English) | Quantity |
|--------------------------|--------------|-------|------|---------------------------|---------------------|-------------|
| | | | | <i>Auto Transmission</i> | | |
| 100 | 4181.212.012 | | | ABTRIEBSDECKEL | OUTPUTCOVER | |
| 101 | 4181.312.015 | | | ABTRIEBSDECKEL | OUTPUTCOVER | |
| 102 | 0731.590.166 | | | GEWINDEBUCHSE | THREADED BUSH | |
| 103 | 0636.100.791 | | | VERSCHLUSSSCHRAUBE | CAP SCREW | |
| 103 | 0501.322.915 | | | O-RING | BALL JOINT | |
| 200 | 4181.212.006 | | | VENTIL | OUTPUTCOVER | |
| 201 | 0501.322.983 | | | O-RING | O-RING | |
| Auto Transmission | | | | Transmission-Shift | | 0301 |

0301**Transmission-Shift****Auto Transmission**

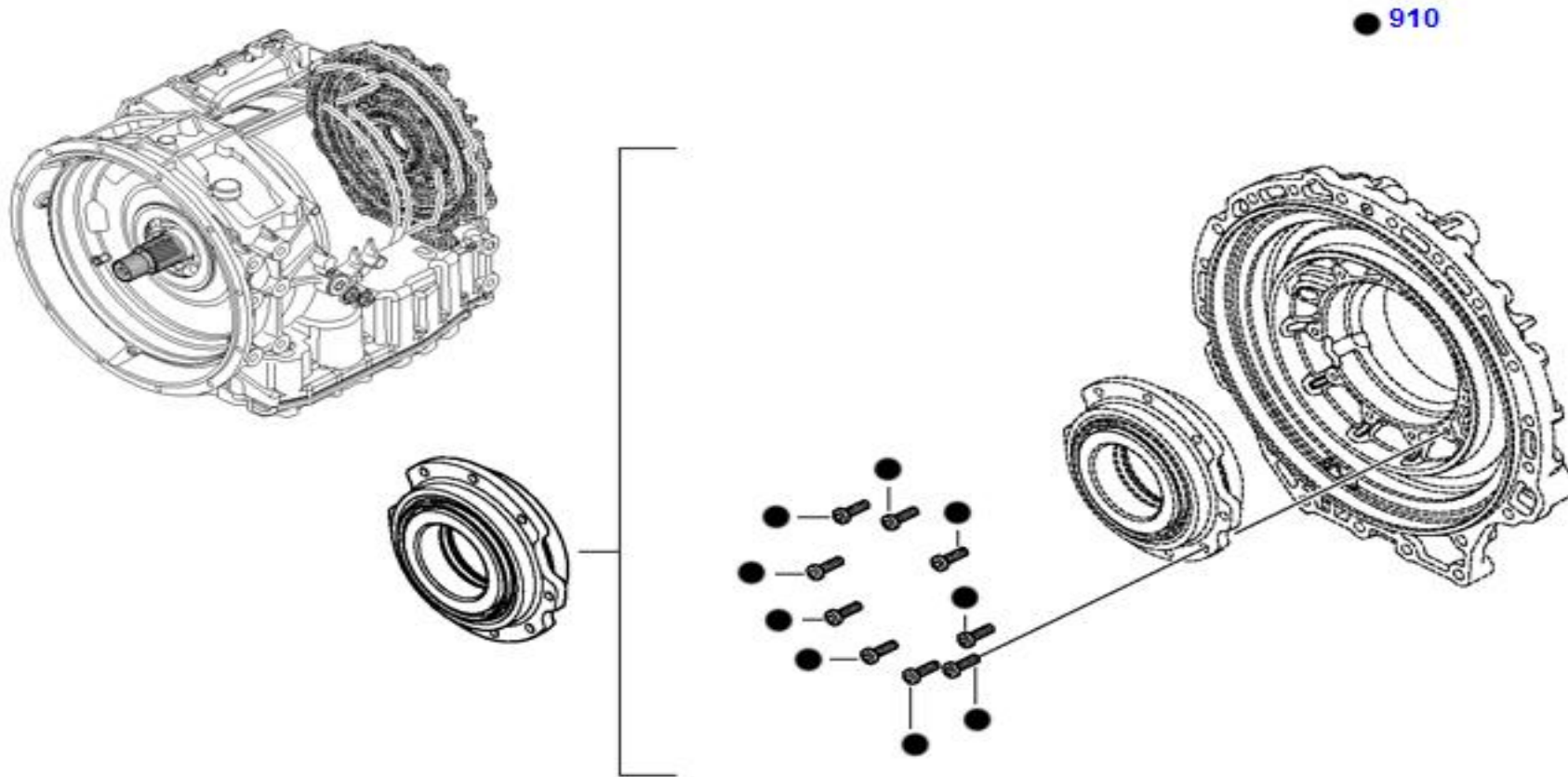
Picture No: ISZFA1072

| POZ | Part No | N.S.N | Code | Part Name (Türkçe) | Part Name (English) | Quantity |
|--------------------------|--------------|-------|------|---------------------------|---------------------|-------------|
| | | | | <i>Auto Transmission</i> | | |
| 100 | 4181.313.008 | | | LAGERBUCHSE | BEARING BUSH | |
| 200 | 0735.371.642 | | | KEG.ROLLENLAGER | TA.ROLLER BEARING | |
| 250 | 4181.313.006 | | | DISTANZBUCHSE | BEARING BUSH | |
| 260 | 0730.113.436 | | | GUIDE RING | AXIAL WASHER | |
| 260 | 0730.113.435 | | | GUIDE RING | AXIAL WASHER | |
| 260 | 0730.113.434 | | | GUIDE RING | AXIAL WASHER | |
| 260 | 0730.113.433 | | | GUIDE RING | AXIAL WASHER | |
| 260 | 0730.113.432 | | | GUIDE RING | AXIAL WASHER | |
| 260 | 0730.113.431 | | | GUIDE RING | AXIAL WASHER | |
| 260 | 0730.113.430 | | | GUIDE RING | AXIAL WASHER | |
| 260 | 0730.113.429 | | | GUIDE RING | AXIAL WASHER | |
| 260 | 0730.113.428 | | | GUIDE RING | AXIAL WASHER | |
| 260 | 0730.113.427 | | | GUIDE RING | AXIAL WASHER | |
| 260 | 0730.113.426 | | | GUIDE RING | AXIAL WASHER | |
| 260 | 0730.113.425 | | | GUIDE RING | AXIAL WASHER | |
| 260 | 0730.113.424 | | | GUIDE RING | AXIAL WASHER | |
| 260 | 0730.113.423 | | | GUIDE RING | AXIAL WASHER | |
| 260 | 0730.113.422 | | | GUIDE RING | AXIAL WASHER | |
| 260 | 0730.113.421 | | | GUIDE RING | AXIAL WASHER | |
| 260 | 0730.113.420 | | | GUIDE RING | AXIAL WASHER | |
| 260 | 0730.113.419 | | | GUIDE RING | AXIAL WASHER | |
| 260 | 0730.113.418 | | | GUIDE RING | AXIAL WASHER | |
| Auto Transmission | | | | Transmission-Shift | | 0301 |

0301

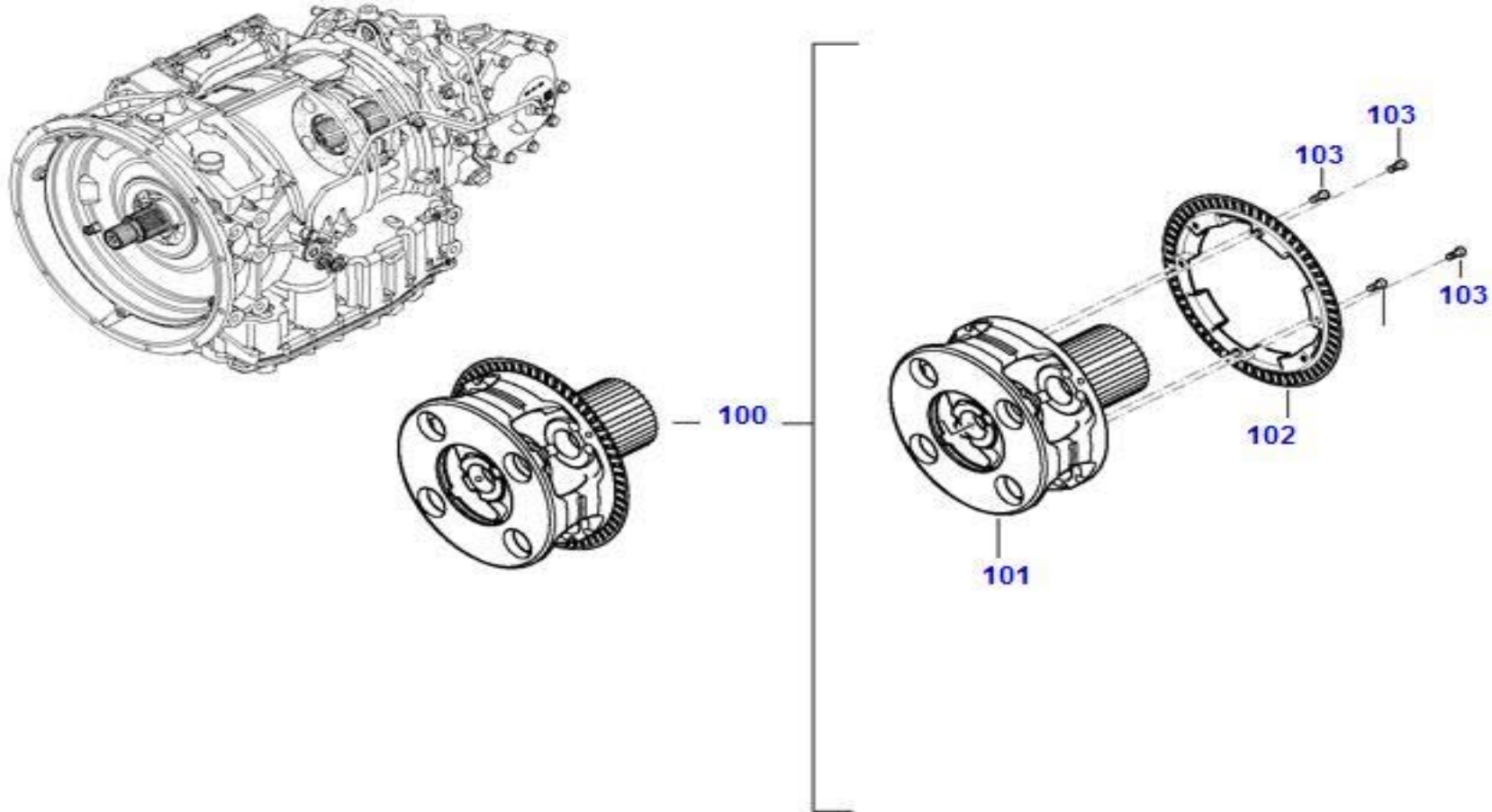
Transmission-Shift

Auto Transmission



Picture No: ISZFA1073

| POZ | Part No | N.S.N | Code | Part Name (Türkçe) | Part Name (English) | Quantity |
|-------------------|--------------|-------|------|--|---------------------|----------|
| 910 | 0736.300.212 | | | <i>Auto Transmission</i> SECHSRUNDSCHR. | CAP SCREW | |
| Auto Transmission | | | | Transmission-Shift | | 0301 |

0301**Transmission-Shift****Auto Transmission**

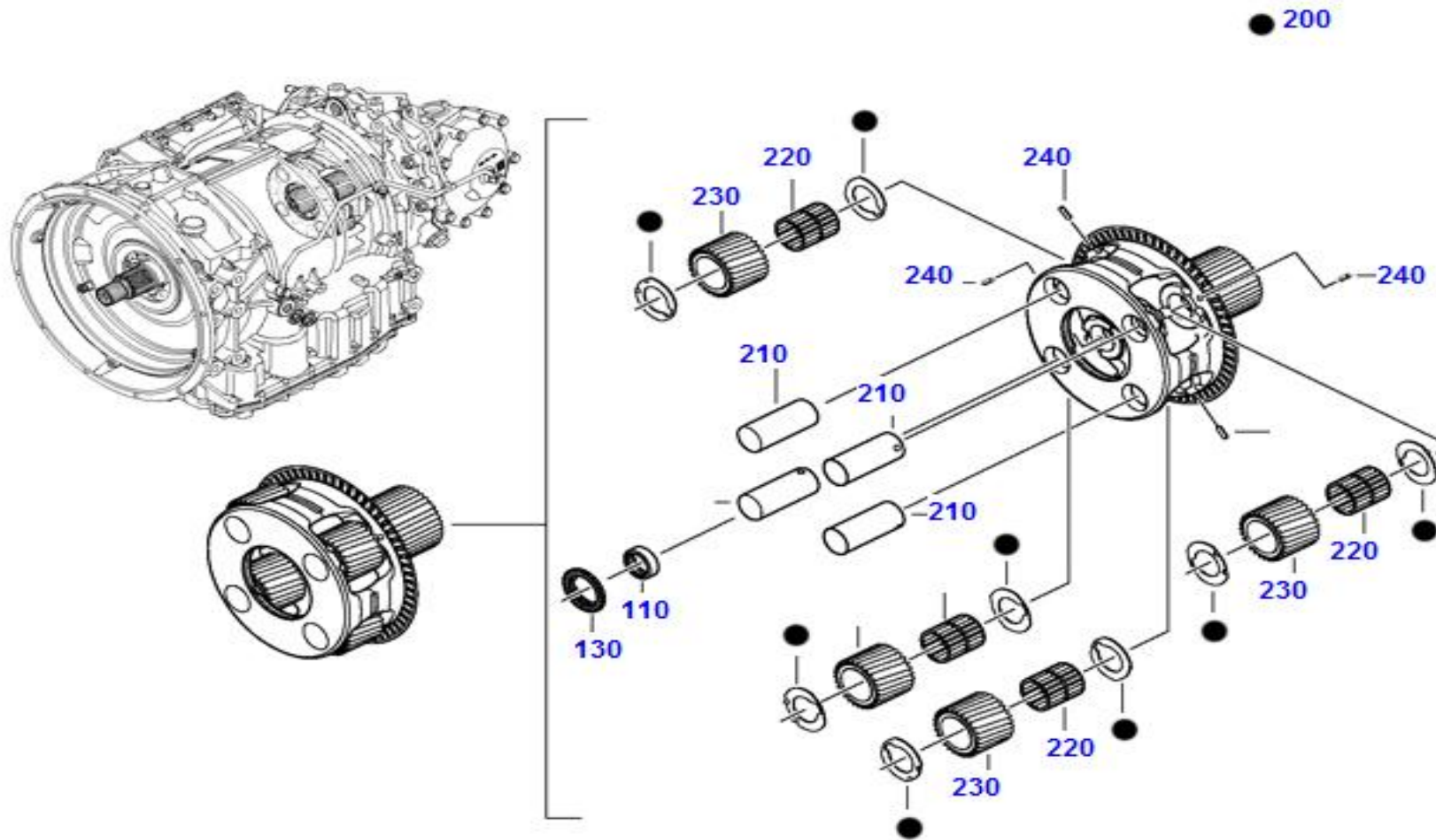
Picture No: ISZFA1074

| POZ | Part No | N.S.N | Code | Part Name (Türkçe) | Part Name (English) | Quantity |
|-------------------|--------------|-------|------|--------------------------|---------------------|----------|
| | | | | <i>Auto Transmission</i> | | |
| 100 | 4181.217.014 | | | PLANETENTRAEGER | PLANET CARRIER | |
| 101 | 4181.291.017 | | | PLANETENTRAEGER | PLANET CARRIER | |
| 102 | 4181.317.033 | | | IMPULSRING | BEARING PIN | |
| 103 | 0736.300.194 | | | SECHSRUNDSCHR. | CAP SCREW | |
| Auto Transmission | | | | Transmission-Shift | | 0301 |

0301

Transmission-Shift

Auto Transmission



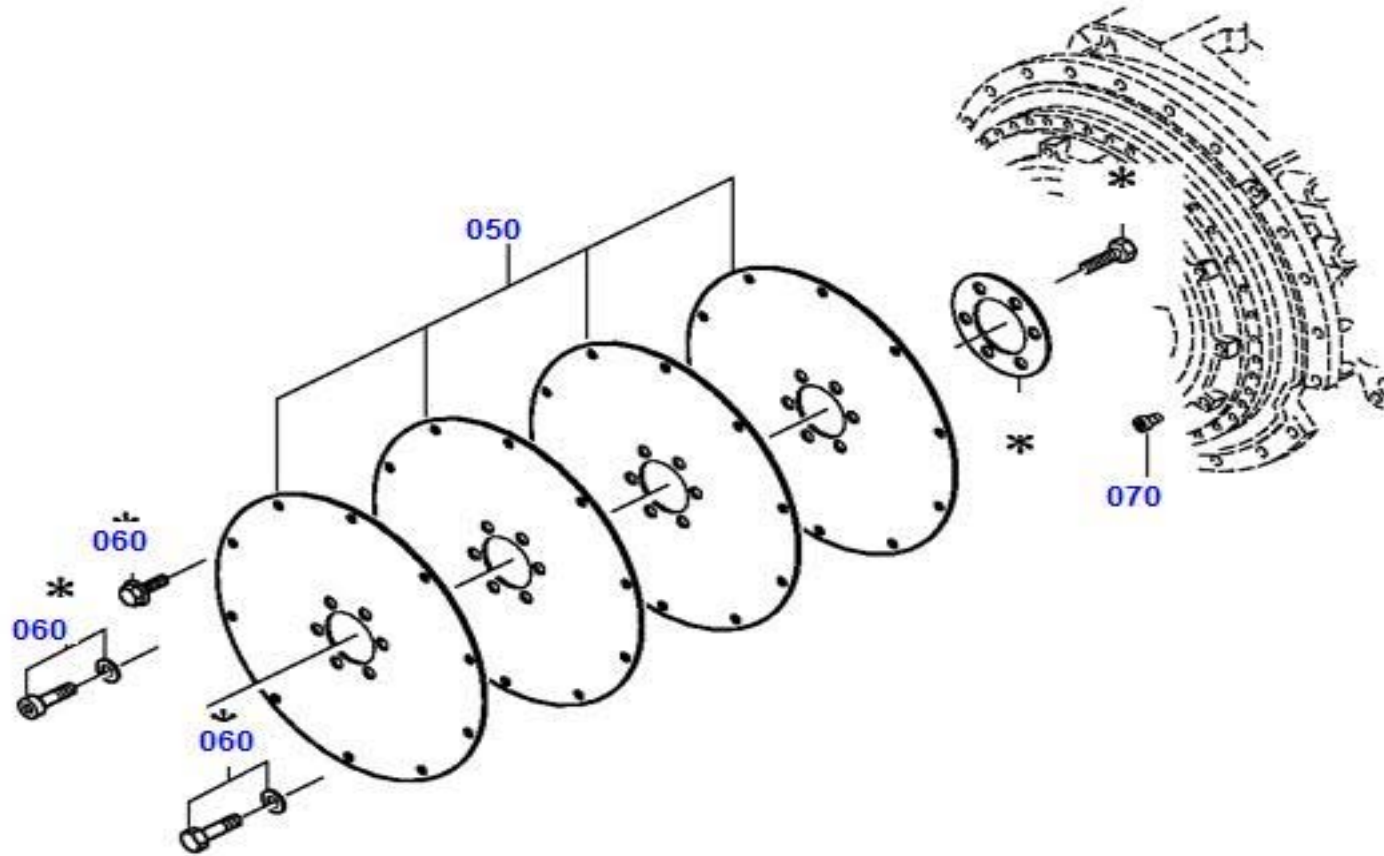
Picture No: ISZFA1075

| POZ | Part No | N.S.N | Code | Part Name (Türkçe) | Part Name (English) | Quantity |
|-----|--------------|-------|------|--------------------------|---------------------------|-------------|
| | | | | <i>Auto Transmission</i> | | |
| 110 | 0735.298.302 | | | NADELHUELSE | NEEDLE SLEEVE | |
| 130 | 0735.368.277 | | | AXIALNADELLAGER | AXIAL NEEDLE BEARING | |
| 200 | 4181.317.018 | | | ANLAUFSCHEIBE | BEARING PIN | |
| 210 | 4181.317.020 | | | LAGERBOLZEN | BEARING PIN | |
| 220 | 0735.321.609 | | | NADELKRANZ | NEEDLE CAGE | |
| 230 | 4181.317.041 | | | PLANETENRAD | BEARING PIN | |
| 240 | 0501.322.722 | | | SPANNSTIFT | BALL JOINT | |
| | | | | Auto Transmission | Transmission-Shift | 0301 |

0301

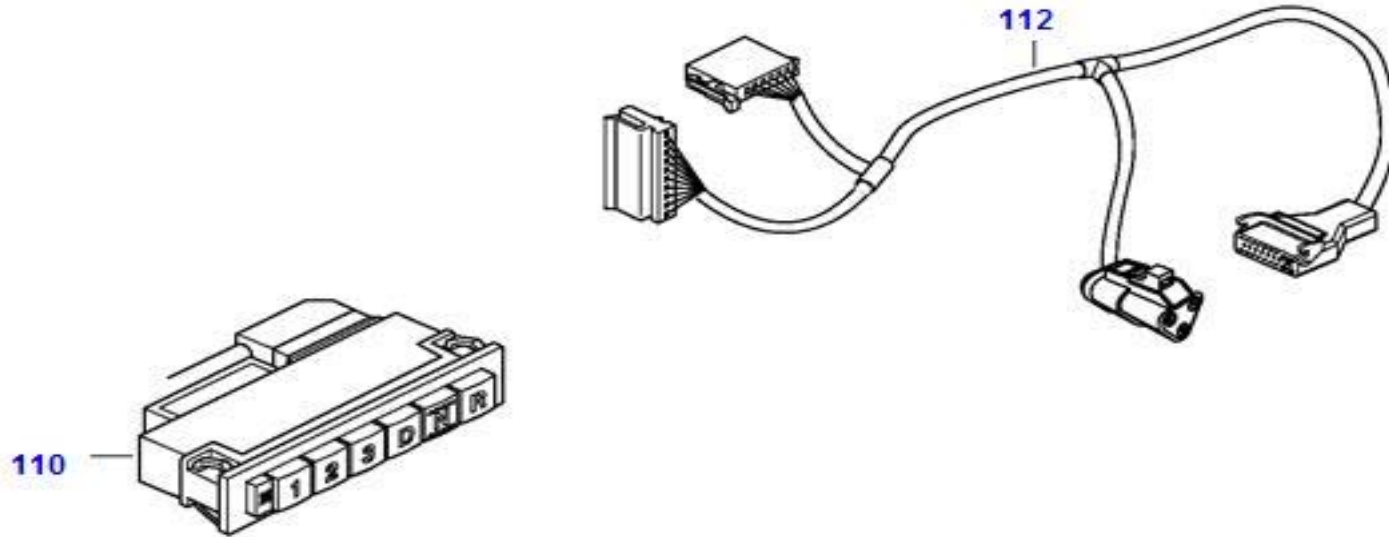
Transmission-Shift

Auto Transmission



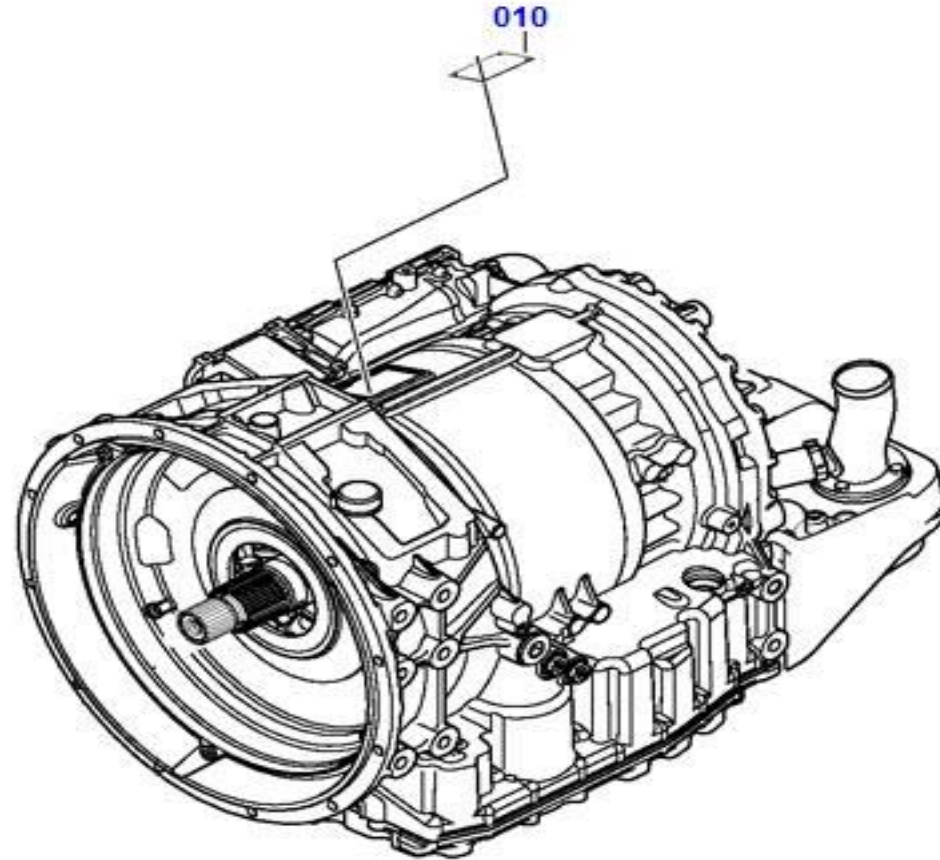
Picture No: ISZFA1076

| POZ | Part No | N.S.N | Code | Part Name (Türkçe) | Part Name (English) | Quantity |
|--------------------------|--------------|-------|------|---------------------------|---------------------|-------------|
| | | | | <i>Auto Transmission</i> | | |
| 050 | 4139.330.409 | | | DIAPHRAGM | DIAPHRAGM | |
| 060 | 0636.021.009 | | | 6KT.SCHRAUBE | HEXAGON SCREW | |
| 060 | 0630.100.284 | | | SCHEIBE | WASHER | |
| 070 | 0636.102.267 | | | CAP SCREW | CAP SCREW | |
| Auto Transmission | | | | Transmission-Shift | | 0301 |

0301**Transmission-Shift****Auto Transmission**

Picture No: ISZFA1077

| POZ | Part No | N.S.N | Code | Part Name (Türkçe) | Part Name (English) | Quantity |
|-------------------|--------------|-------|------|--------------------------|---------------------|----------|
| | | | | <i>Auto Transmission</i> | | |
| 110 | 6006.341.048 | | | PUSHBUTTON SWITCH | PUSHBUTTON SWITCH | |
| 112 | 6029.039.262 | | | KABEL ECOLIFE | CABLE ECOLIFE | |
| Auto Transmission | | | | Transmission-Shift | | 0301 |

0301**Transmission-Shift****Auto Transmission**

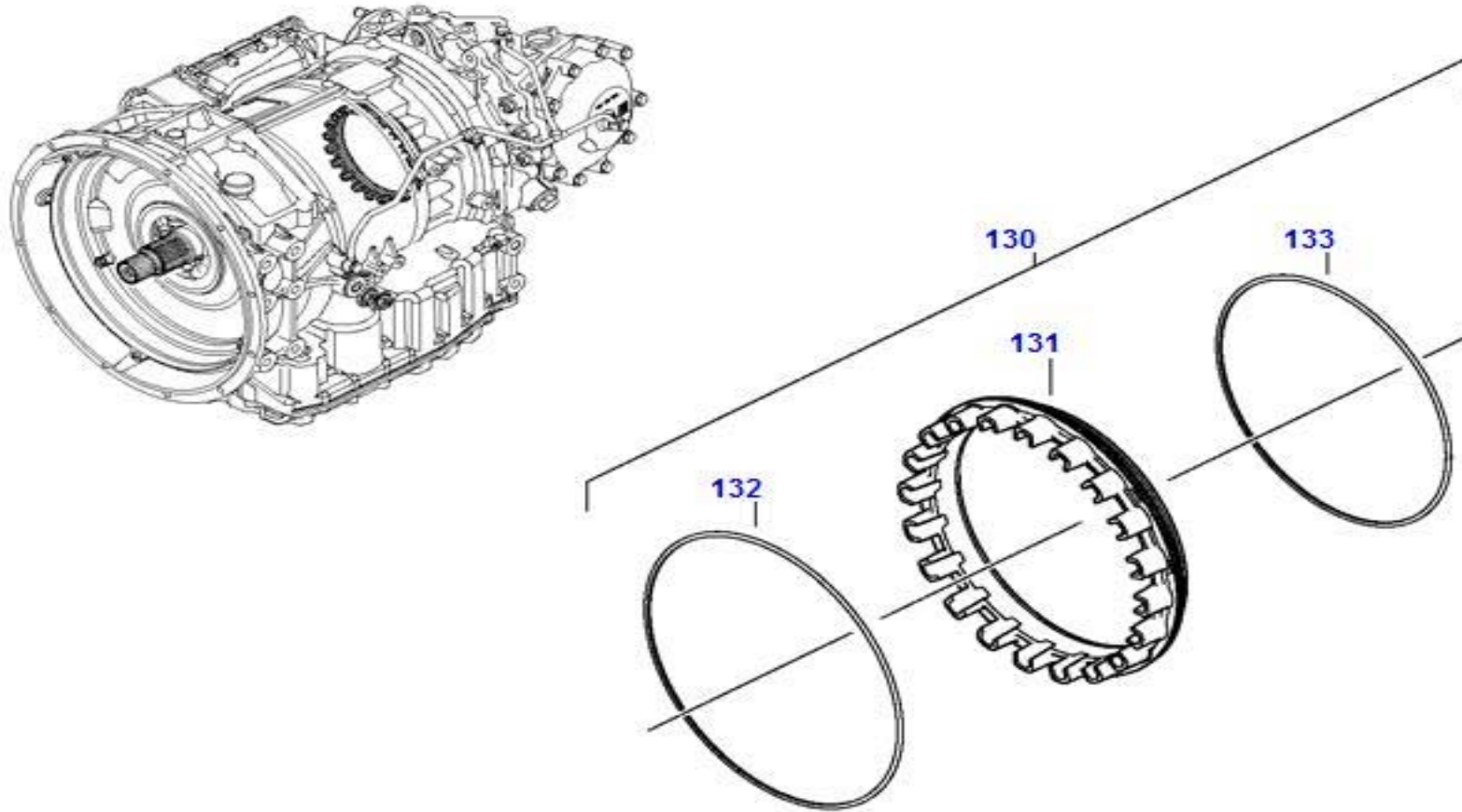
Picture No: ISZFA1078

| POZ | Part No | N.S.N | Code | Part Name (Türkçe) | Part Name (English) | Quantity |
|--------------------------|--------------|-------|------|---------------------------|----------------------|-------------|
| | | | | <i>Auto Transmission</i> | | |
| 000 | 4181.124.007 | | | INPUT SHAFT | INPUT SHAFT | |
| 000 | 4181.141.053 | | | OIL SUPPLY | OIL SUPPLY | |
| 000 | 4181.177.050 | | | OIL PAN | OIL PAN | |
| 000 | 4181.102.057 | | | TRANSMISSION HOUSING | TRANSMISSION HOUSING | |
| 000 | 4181.178.803 | | | FILTER COVER | FILTER COVER | |
| 000 | 4181.140.801 | | | OIL SUPPLY | OIL SUPPLY | |
| 000 | 4181.160.050 | | | COVER PLATE | COVER PLATE | |
| 000 | 4181.160.801 | | | COVER PLATE | COVER PLATE | |
| 000 | 4181.174.004 | | | POSITION SENSOR | POSITION SENSOR | |
| 000 | 4181.170.016 | | | SHIFT CONTROL | SHIFT CONTROL | |
| 000 | 4181.170.804 | | | SHIFT CONTROL | SHIFT CONTROL | |
| 000 | 4181.170.850 | | | WIRING HARNESS | WIRING HARNESS | |
| 000 | 4181.175.003 | | | SUCTION FILTER | SUCTION FILTER | |
| 000 | 4181.175.801 | | | SUCTION FILTER | SUCTION FILTER | |
| 000 | 4181.179.003 | | | PRESSURE FILTER | PRESSURE FILTER | |
| 000 | 4181.176.850 | | | OIL PAN | OIL PAN | |
| 010 | 0730.365.241 | | | TYPE PLATE | TYPE PLATE | |
| Auto Transmission | | | | Transmission-Shift | | 0301 |

0301

Transmission-Shift

Auto Transmission



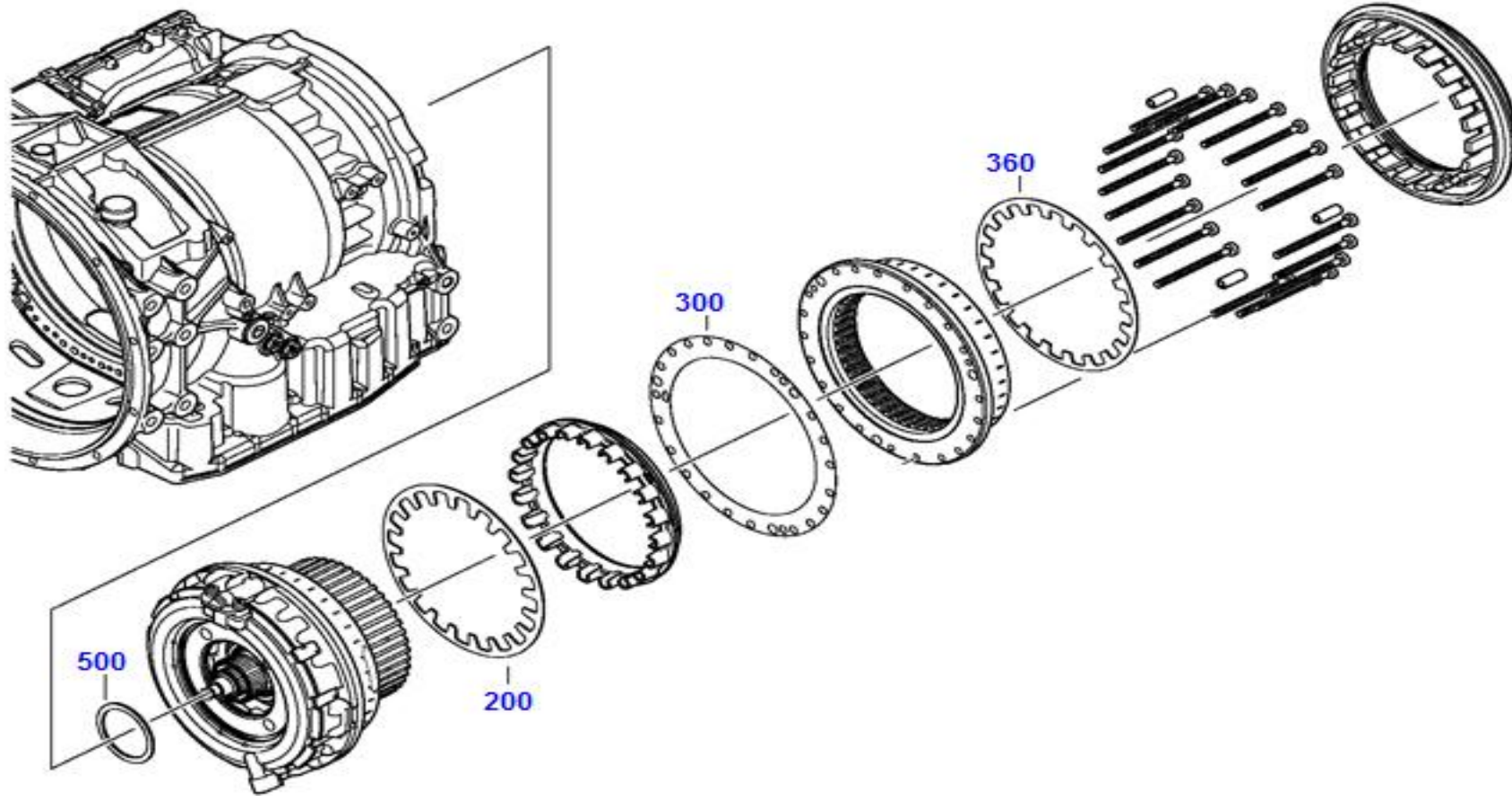
Picture No: ISZFA1079

| POZ | Part No | N.S.N | Code | Part Name (Türkçe) | Part Name (English) | Quantity |
|--------------------------|--------------|-------|------|---------------------------|---------------------|-------------|
| | | | | <i>Auto Transmission</i> | | |
| 130 | 4181.201.051 | | | KOLBEN | PISTON | |
| 131 | 4181.301.001 | | | KOLBEN | PISTON | |
| 132 | 0501.324.126 | | | DICHTRING | BRAKE CYLINDER | |
| 133 | 0501.324.123 | | | DICHTRING | BRAKE CYLINDER | |
| Auto Transmission | | | | Transmission-Shift | | 0301 |

0301

Transmission-Shift

Auto Transmission



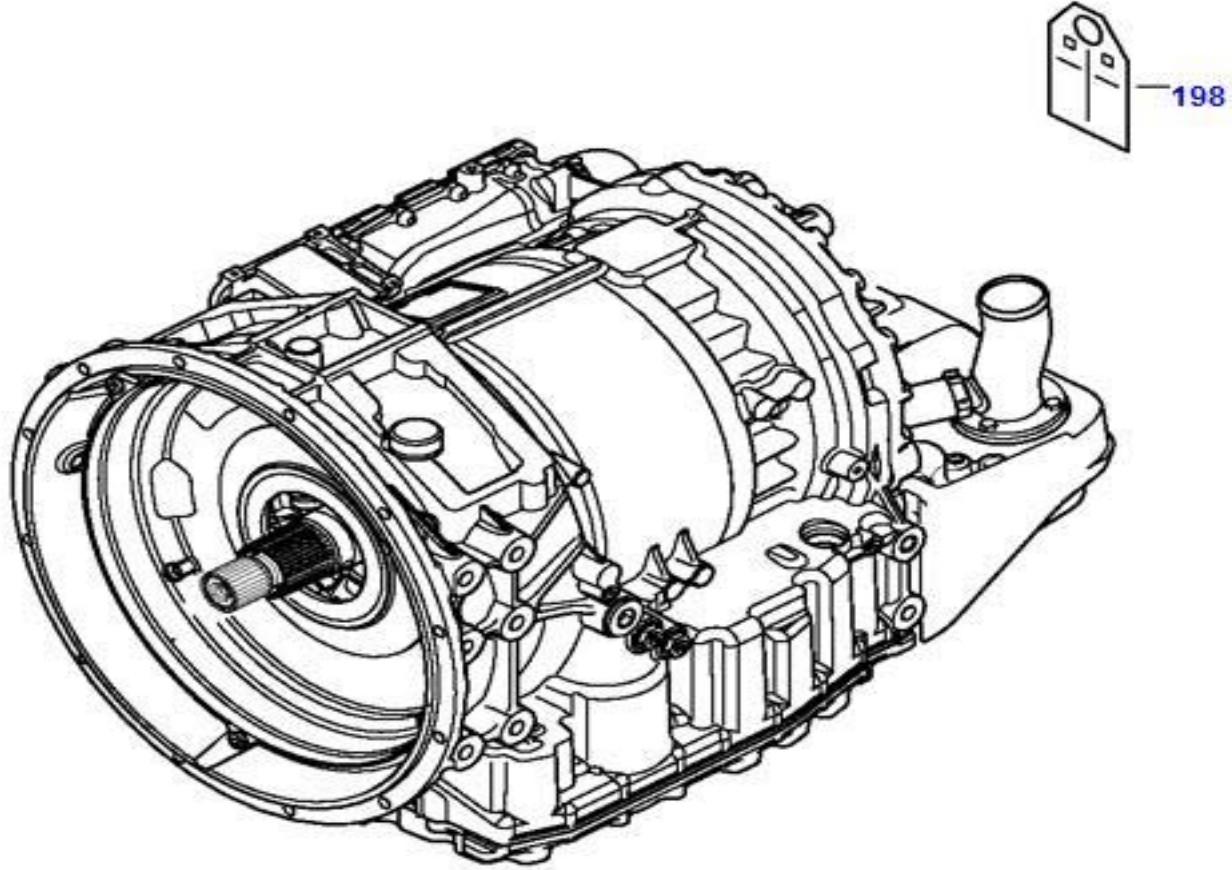
Picture No: ISZFA1080

| POZ | Part No | N.S.N | Code | Part Name (Türkçe) | Part Name (English) | Quantity |
|-----|--------------|-------|------|--------------------------|---------------------|----------|
| | | | | <i>Auto Transmission</i> | | |
| 000 | 4181.103.009 | | | BRAKE F | BRAKE F | |
| 000 | 4181.103.801 | | | BRAKE F | BRAKE F | |
| 200 | 0501.322.620 | | | TELLERFEDER | BALL JOINT | |
| 200 | 4181.123.009 | | | PLANETARY DRIVE | PLANETARY DRIVE | |
| 200 | 4181.126.052 | | | BRAKE | BRAKE | |
| 200 | 4181.150.052 | | | CLUTCH UNIT A+B | CLUTCH UNIT A+B | |
| 300 | 0501.214.837 | | | DICHTUNG | GASKET | |
| 300 | 4181.122.007 | | | PLANETARY DRIVE | PLANETARY DRIVE | |
| 360 | 0501.321.660 | | | TELLERFEDER | ANGLE DISC | |
| 500 | 0730.113.271 | | | ADJUSTMENT PLATE | ADJUSTMENT PLATE | |
| 500 | 0730.113.270 | | | ADJUSTMENT PLATE | ADJUSTMENT PLATE | |
| 500 | 0730.113.272 | | | ADJUSTMENT PLATE | ADJUSTMENT PLATE | |
| 500 | 0730.113.072 | | | ADJUSTMENT PLATE | ADJUSTMENT PLATE | |
| 500 | 0730.113.071 | | | ADJUSTMENT PLATE | ADJUSTMENT PLATE | |
| 500 | 0730.113.070 | | | ADJUSTMENT PLATE | ADJUSTMENT PLATE | |
| 500 | 0730.113.069 | | | GUIDE RING | AXIAL WASHER | |
| 500 | 0730.113.068 | | | GUIDE RING | AXIAL WASHER | |
| 500 | 0730.113.067 | | | GUIDE RING | AXIAL WASHER | |
| 500 | 0730.113.066 | | | GUIDE RING | AXIAL WASHER | |
| 500 | 0730.113.065 | | | GUIDE RING | AXIAL WASHER | |
| 500 | 0730.300.889 | | | WASHER | THRUST WASHER | |
| 500 | 0730.113.064 | | | GUIDE RING | AXIAL WASHER | |
| 500 | 0730.300.888 | | | WASHER | THRUST WASHER | |
| 500 | 0730.113.063 | | | GUIDE RING | AXIAL WASHER | |
| 500 | 0730.300.887 | | | WASHER | THRUST WASHER | |
| 500 | 0730.113.062 | | | GUIDE RING | AXIAL WASHER | |
| 500 | 0730.113.061 | | | GUIDE RING | AXIAL WASHER | |
| 500 | 0730.113.060 | | | GUIDE RING | AXIAL WASHER | |

Auto Transmission

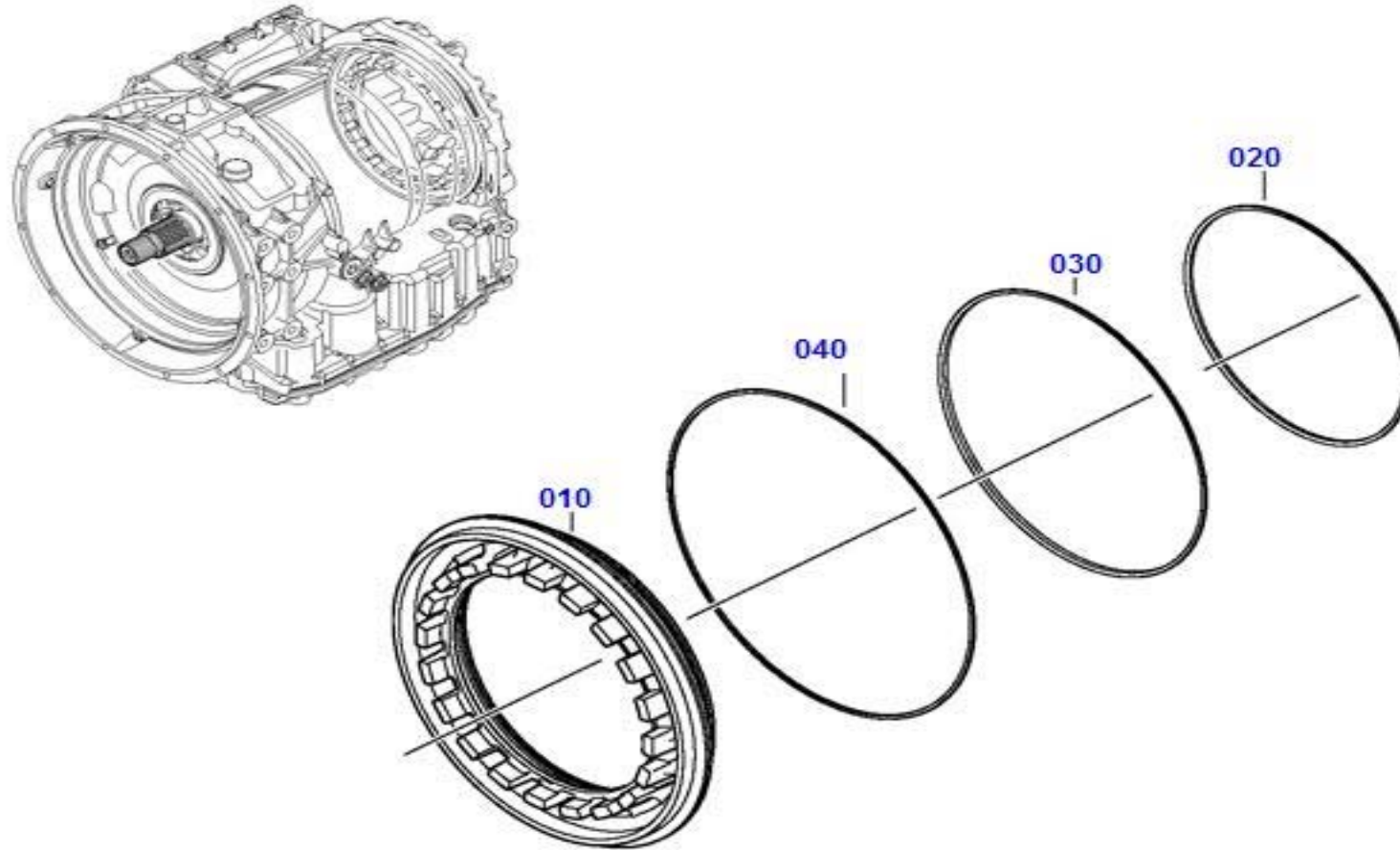
Transmission-Shift

0301

0301**Transmission-Shift****Auto Transmission**

Picture No: ISZFA1081

| POZ | Part No | N.S.N | Code | Part Name (Türkçe) | Part Name (English) | Quantity |
|-------------------|--------------|-------|------|--|---------------------|----------|
| 198 | 0501.314.773 | | | <i>Auto Transmission</i> ANHAENGESCHILD | ANHAENGESCHILD | |
| Auto Transmission | | | | Transmission-Shift | | 0301 |

0301**Transmission-Shift****Auto Transmission**

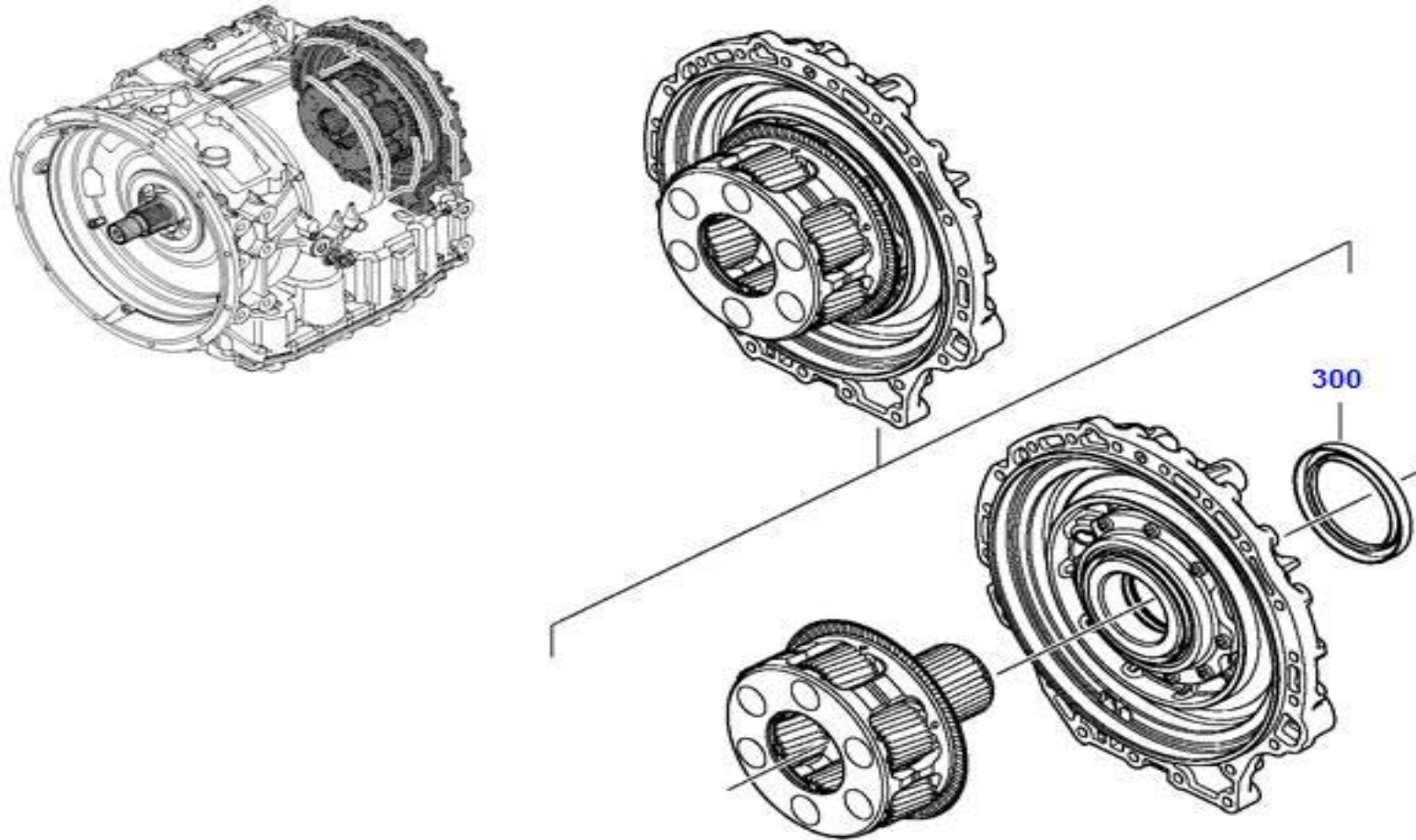
Picture No: ISZFA1082

| POZ | Part No | N.S.N | Code | Part Name (Türkçe) | Part Name (English) | Quantity |
|--------------------------|--------------|-------|------|---------------------------|---------------------|-------------|
| | | | | <i>Auto Transmission</i> | | |
| 010 | 4181.312.022 | | | KOLBEN | OUTPUTCOVER | |
| 020 | 0501.325.801 | | | DICHTRING | AXIAL WASHER | |
| 030 | 0501.325.800 | | | DICHTRING | AXIAL WASHER | |
| 040 | 0501.325.799 | | | DICHTRING | AXIAL WASHER | |
| Auto Transmission | | | | Transmission-Shift | | 0301 |

0301

Transmission-Shift

Auto Transmission



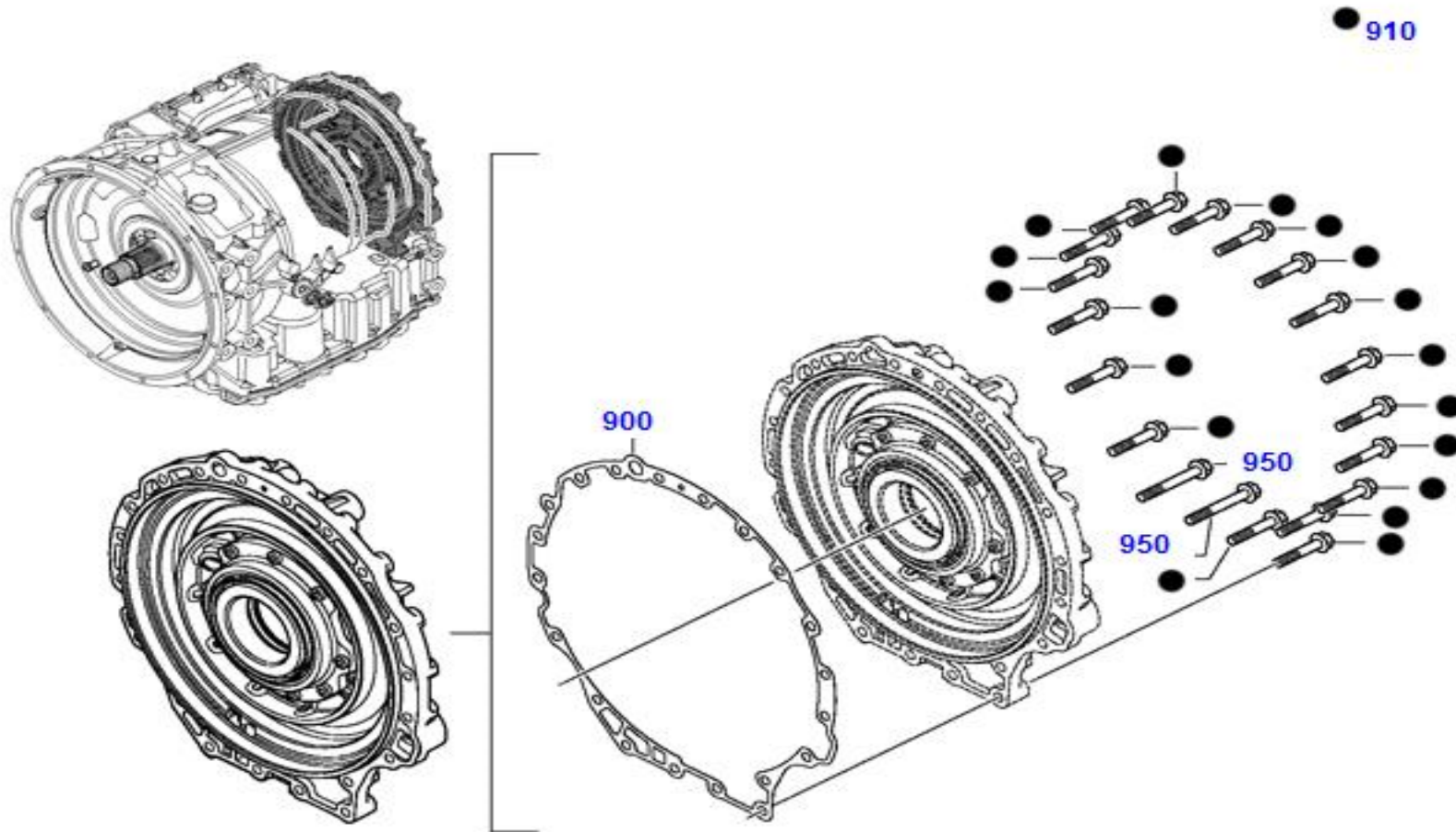
Picture No: ISZFA1083

| POZ | Part No | N.S.N | Code | Part Name (Türkçe) | Part Name (English) | Quantity |
|--------------------------|--------------|-------|------|---------------------------|---------------------|-------------|
| | | | | <i>Auto Transmission</i> | | |
| 000 | 4181.112.050 | | | OUTPUT COVER | OUTPUT COVER | |
| 000 | 4181.113.005 | | | BEARING UNIT | BEARING UNIT | |
| 000 | 4181.117.020 | | | PLANETARY GEAR | PLANETARY GEAR | |
| 000 | 4181.113.801 | | | BEARING UNIT | BEARING UNIT | |
| 300 | 0734.319.792 | | | WELLENDICHTRING | CASSETTE RING | |
| Auto Transmission | | | | Transmission-Shift | | 0301 |

0301

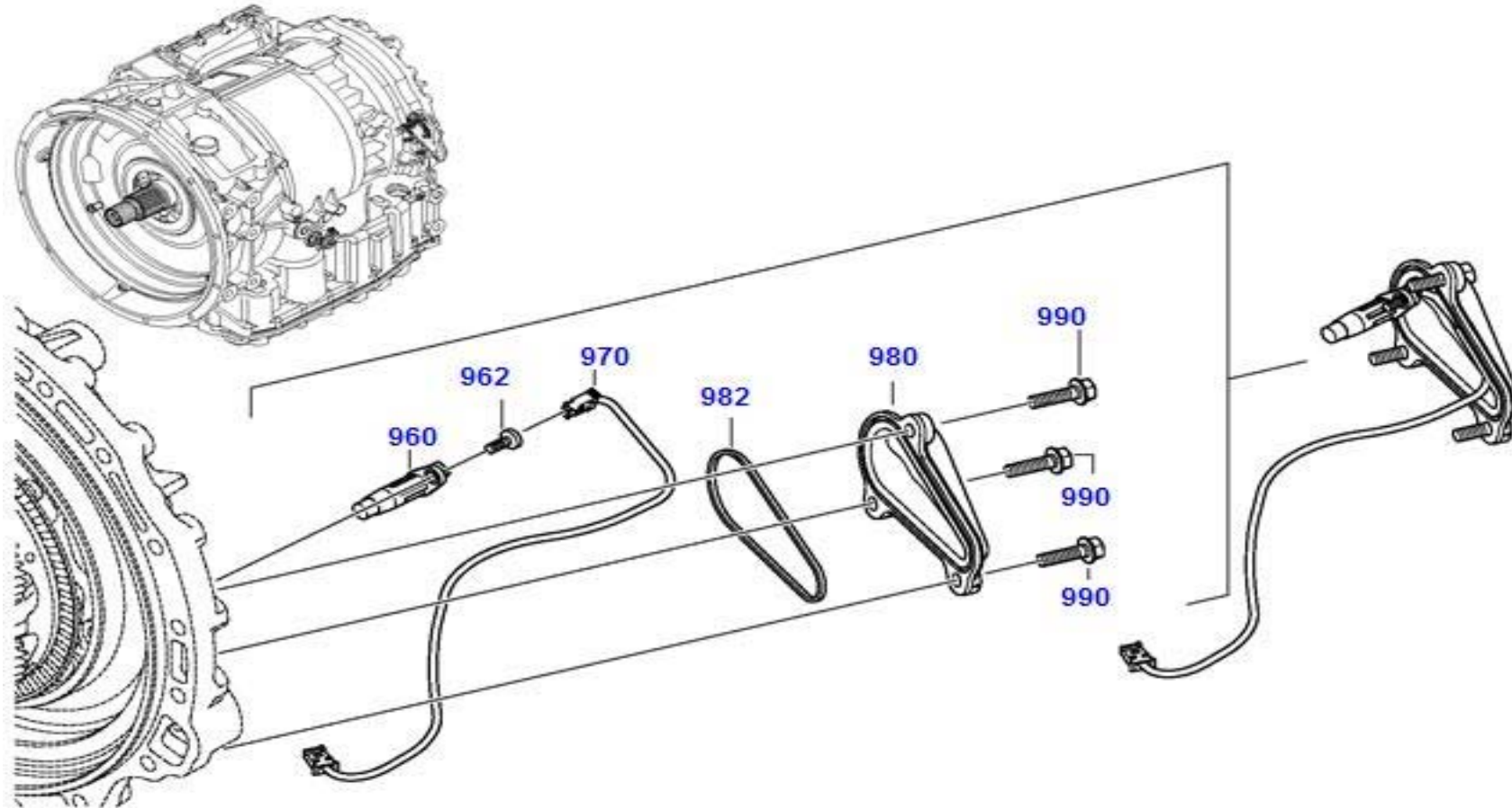
Transmission-Shift

Auto Transmission



Picture No: ISZFA1084

| POZ | Part No | N.S.N | Code | Part Name (Türkçe) | Part Name (English) | Quantity |
|--------------------------|--------------|-------|------|---------------------------|---------------------|-------------|
| | | | | <i>Auto Transmission</i> | | |
| 900 | 0501.323.191 | | | DICHTUNG | AIR SPRING BELLOWS | |
| 910 | 0636.100.827 | | | KOMBISCHRAUBE | CAP SCREW | |
| 950 | 0636.100.829 | | | KOMBISCHRAUBE | CAP SCREW | |
| Auto Transmission | | | | Transmission-Shift | | 0301 |

0301**Transmission-Shift****Auto Transmission**

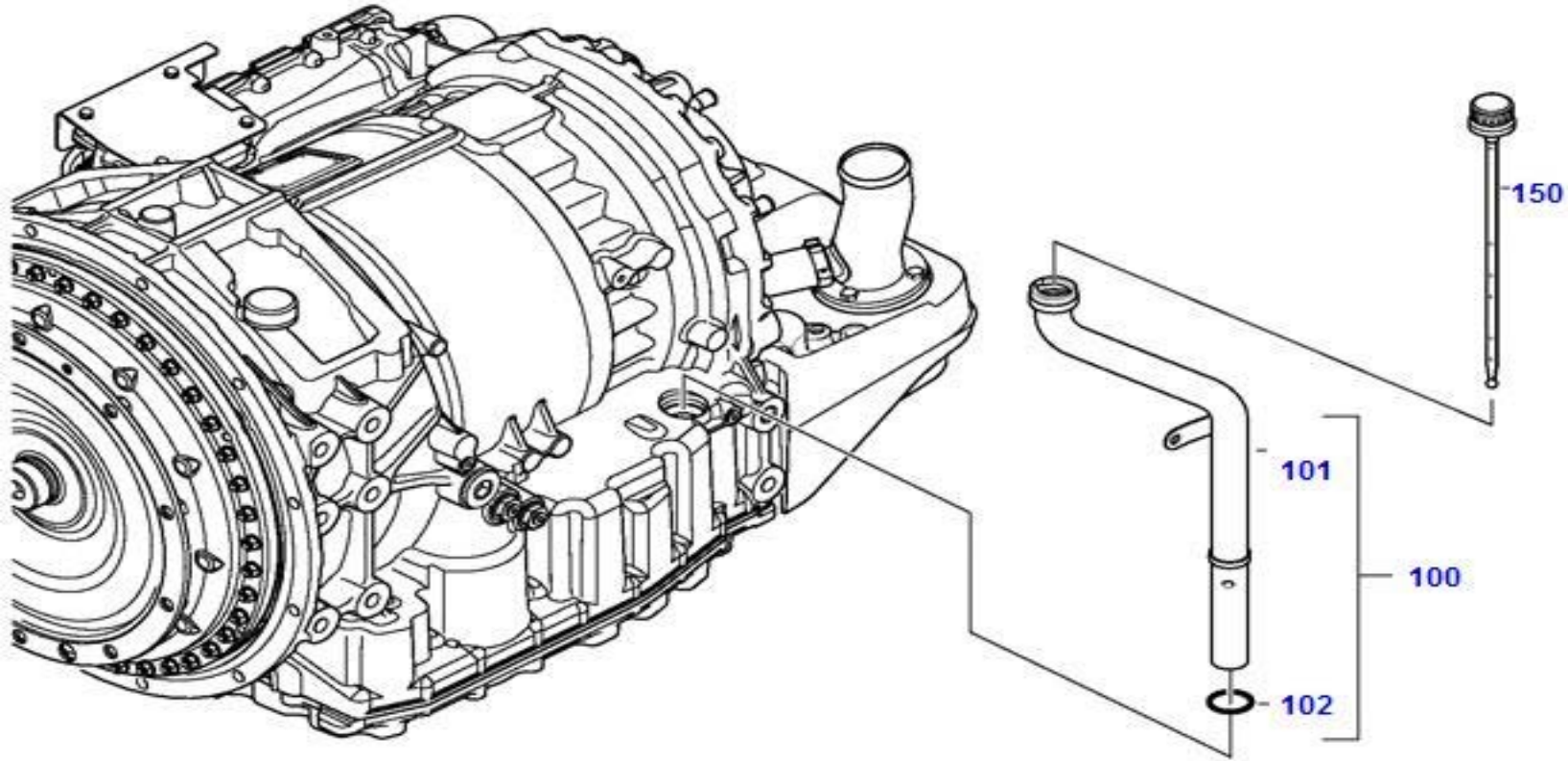
Picture No: ISZFA1085

| POZ | Part No | N.S.N | Code | Part Name (Türkçe) | Part Name (English) | Quantity |
|--------------------------|--------------|-------|------|---------------------------|---------------------|-------------|
| | | | | <i>Auto Transmission</i> | | |
| 960 | 0501.215.837 | | | DREHZAHLSENSOR | BEARING UNIT | |
| 962 | 0736.300.195 | | | SECHSRUNDSCHR. | CAP SCREW | |
| 970 | 6029.039.091 | | | KABEL ECOLIFE | CABLE ECOLIFE | |
| 980 | 4181.310.035 | | | DECKEL | COVER | |
| 982 | 0501.328.271 | | | O-RING | AXLE BEVEL GEAR | |
| 990 | 0636.100.442 | | | 6KT.SCHRAUBE | CAP SCREW | |
| Auto Transmission | | | | Transmission-Shift | | 0301 |

0301

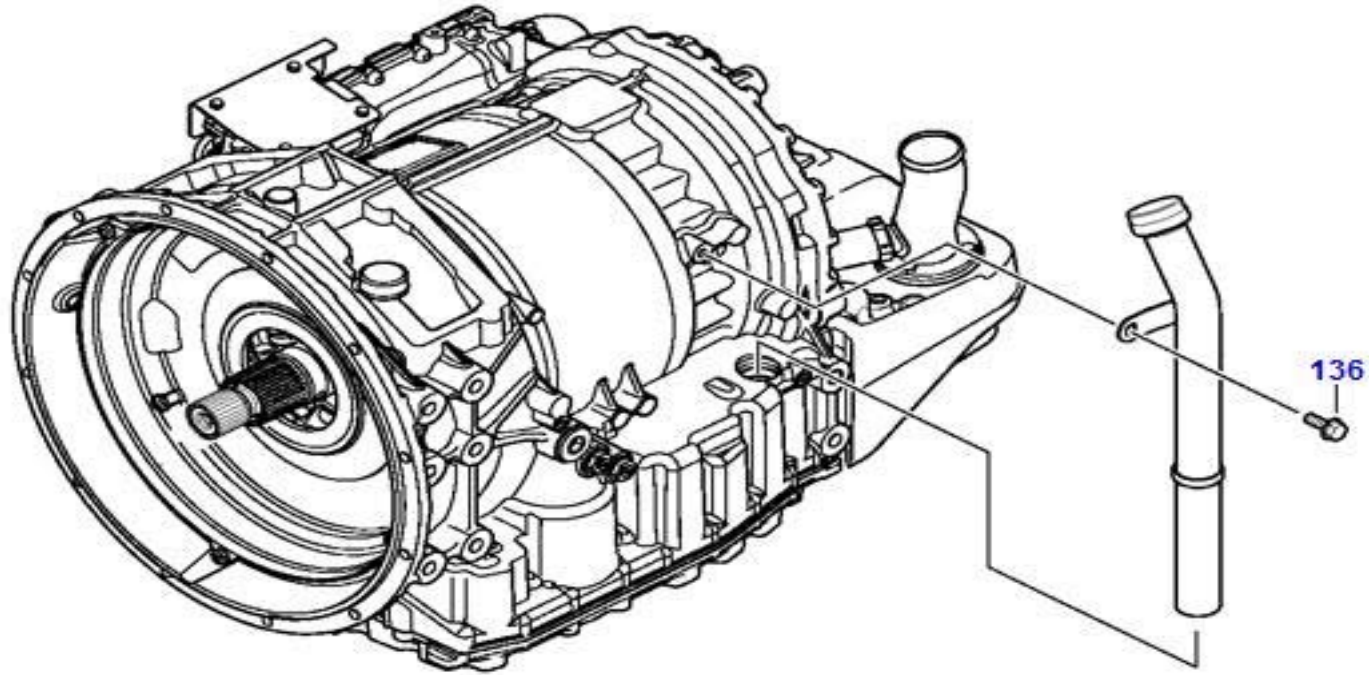
Transmission-Shift

Auto Transmission



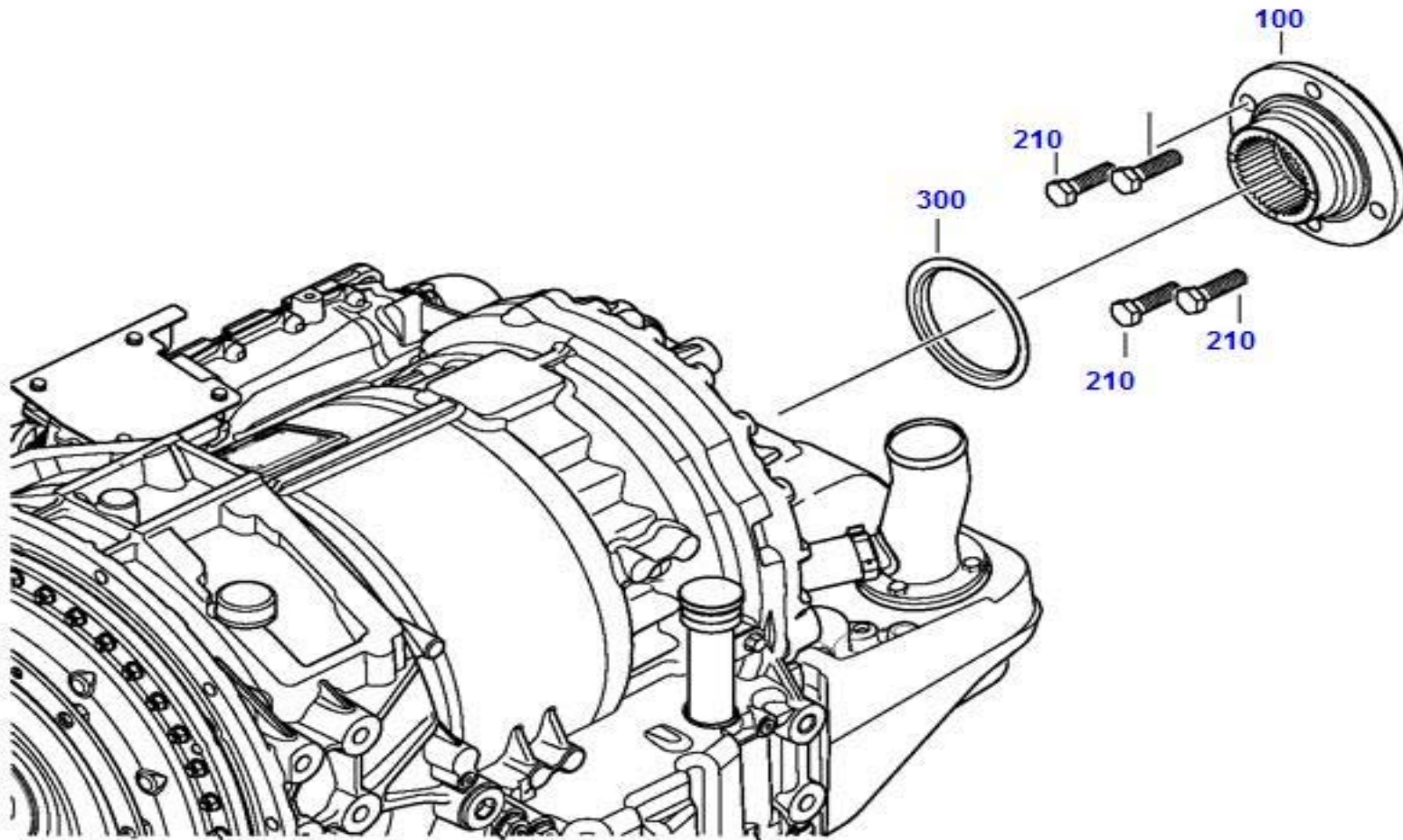
Picture No: ISZFA1086

| POZ | Part No | N.S.N | Code | Part Name (Türkçe) | Part Name (English) | Quantity |
|--------------------------|--------------|-------|------|---------------------------|---------------------|-------------|
| | | | | <i>Auto Transmission</i> | | |
| 100 | 4181.281.015 | | | FUELLROHR | FILLER TUBE | |
| 101 | 4181.290.029 | | | FUELLROHR | DISC CARRIER | |
| 102 | 0501.322.980 | | | O-RING | BALL JOINT | |
| 150 | 0501.217.495 | | | OELMESSSTAB | OIL COOLER | |
| Auto Transmission | | | | Transmission-Shift | | 0301 |

0301**Transmission-Shift****Auto Transmission**

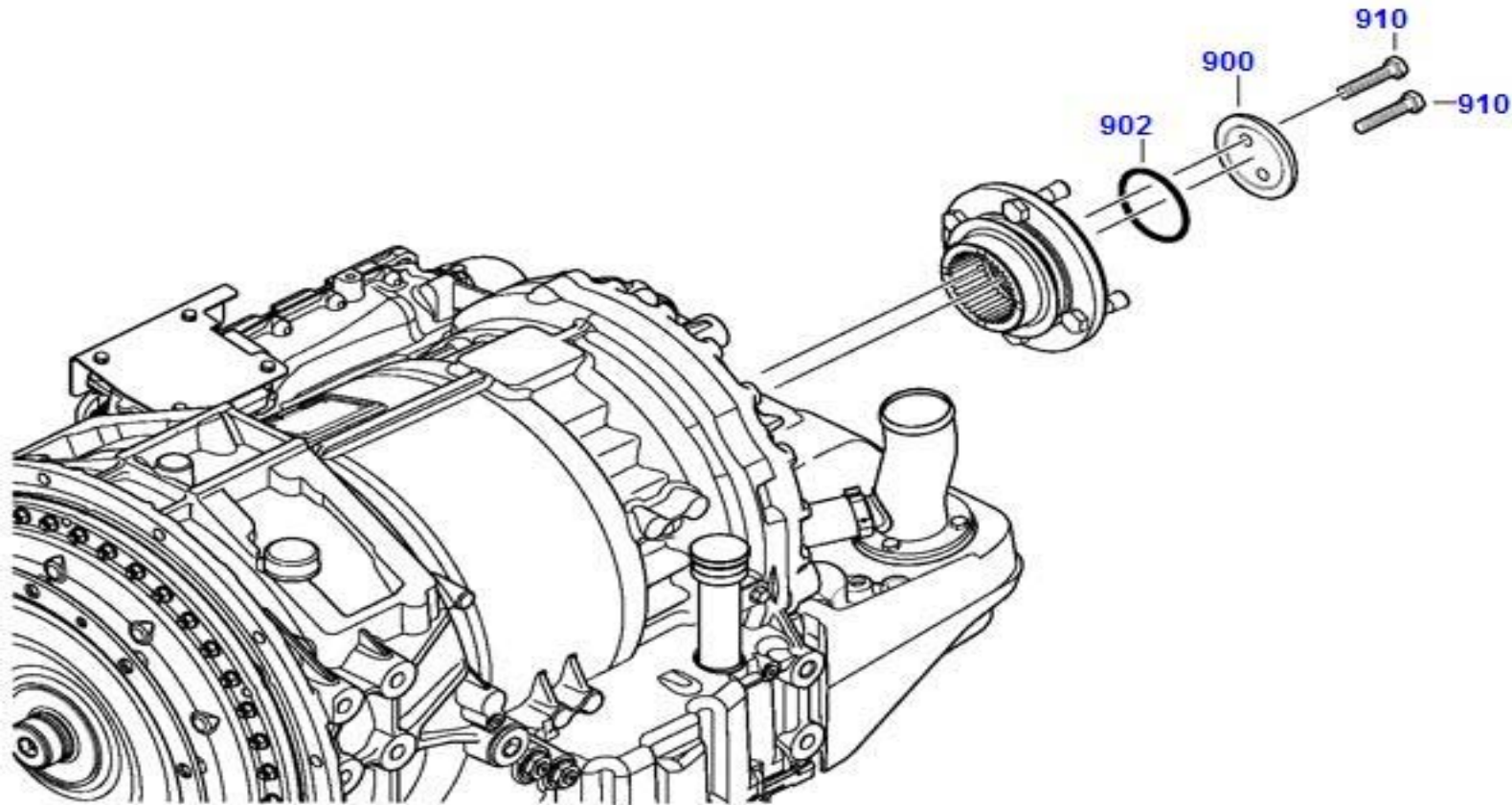
Picture No: ISZFA1087

| POZ | Part No | N.S.N | Code | Part Name (Türkçe) | Part Name (English) | Quantity |
|-------------------|--------------|-------|------|--|---------------------|----------|
| 136 | 0636.100.445 | | | <i>Auto Transmission</i> 6KT.SCHRAUBE | CAP SCREW | |
| Auto Transmission | | | | Transmission-Shift | | 0301 |

0301**Transmission-Shift****Auto Transmission**

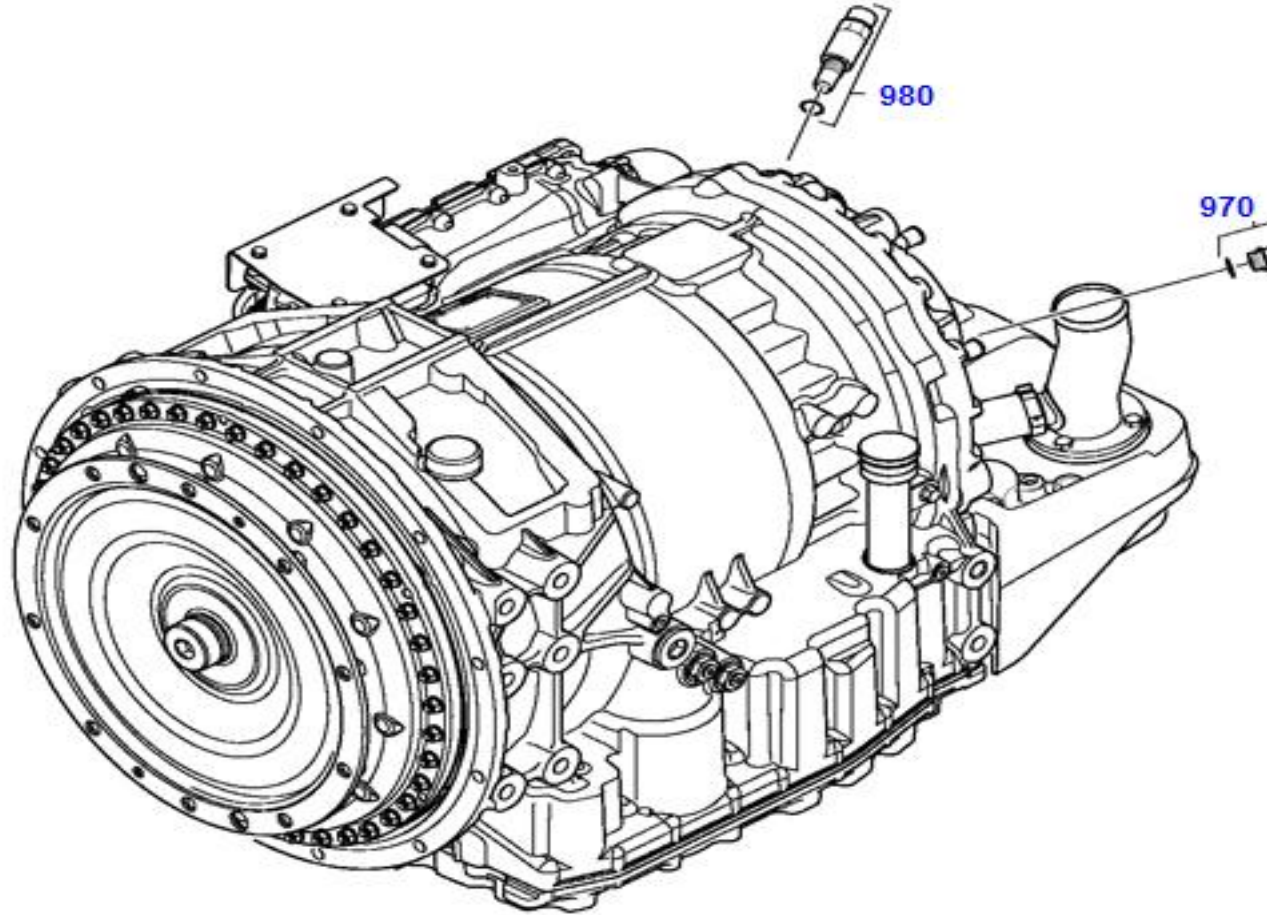
Picture No: ISZFA1088

| POZ | Part No | N.S.N | Code | Part Name (Türkçe) | Part Name (English) | Quantity |
|-----|--------------|-------|------|--------------------------|---------------------------|-------------|
| | | | | <i>Auto Transmission</i> | | |
| 100 | 4181.383.002 | | | OUTPUT FLANGE | OUTPUT FLANGE | |
| 210 | 0636.100.448 | | | 6KT.SCHRAUBE | CAP SCREW | |
| 300 | 4181.383.001 | | | PROTECTIVE SHEET | PROTECTIVE SHEET | |
| | | | | Auto Transmission | Transmission-Shift | 0301 |

0301**Transmission-Shift****Auto Transmission**

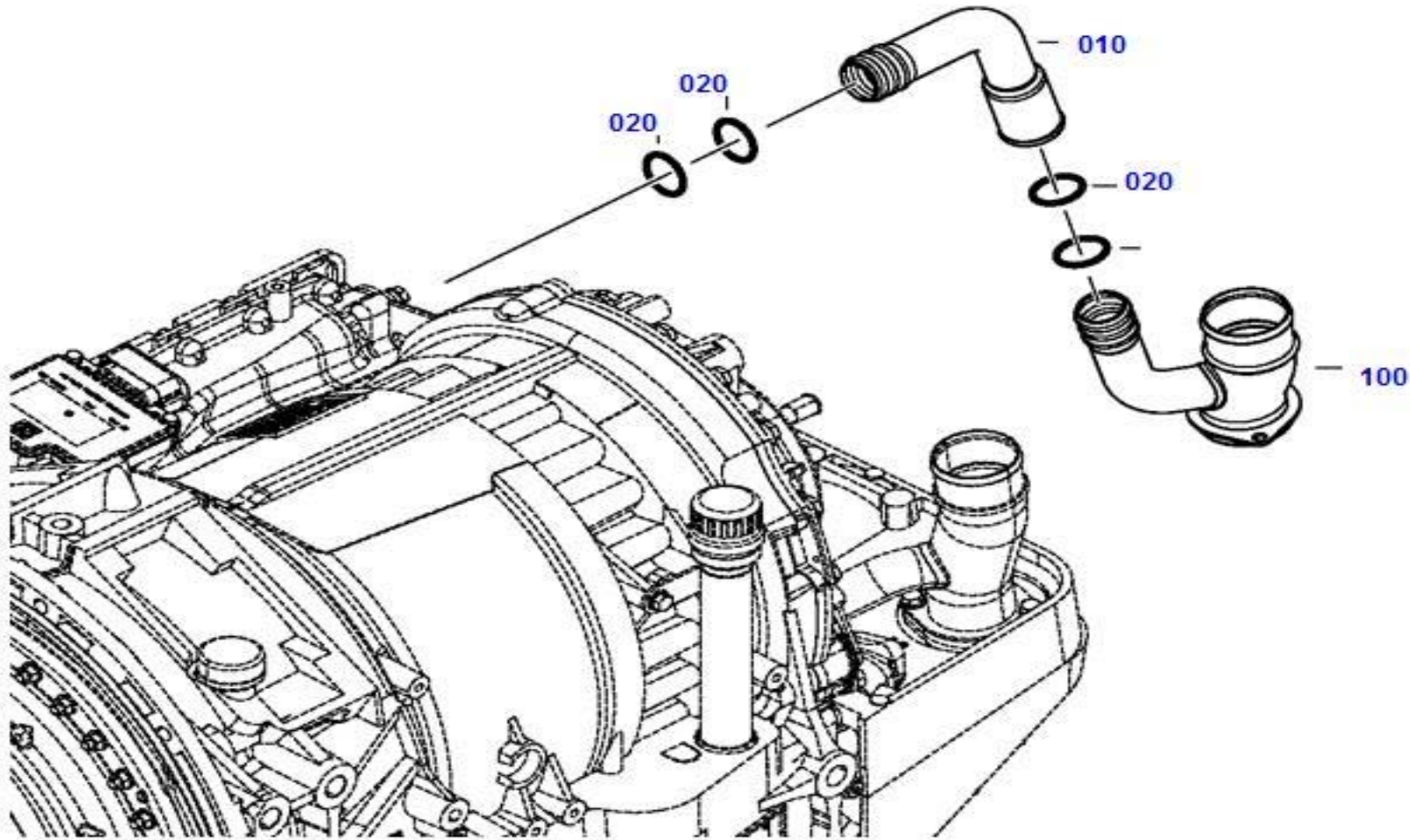
Picture No: ISZFA1089

| POZ | Part No | N.S.N | Code | Part Name (Türkçe) | Part Name (English) | Quantity |
|--------------------------|--------------|-------|------|---------------------------|---------------------|-------------|
| | | | | <i>Auto Transmission</i> | | |
| 900 | 4181.393.001 | | | SCHEIBE | WASHER | |
| 902 | 0501.322.901 | | | O-RING | BALL JOINT | |
| 910 | 0636.011.777 | | | HEXAGON SCREW | HEXAGON SCREW | |
| Auto Transmission | | | | Transmission-Shift | | 0301 |

0301**Transmission-Shift****Auto Transmission**

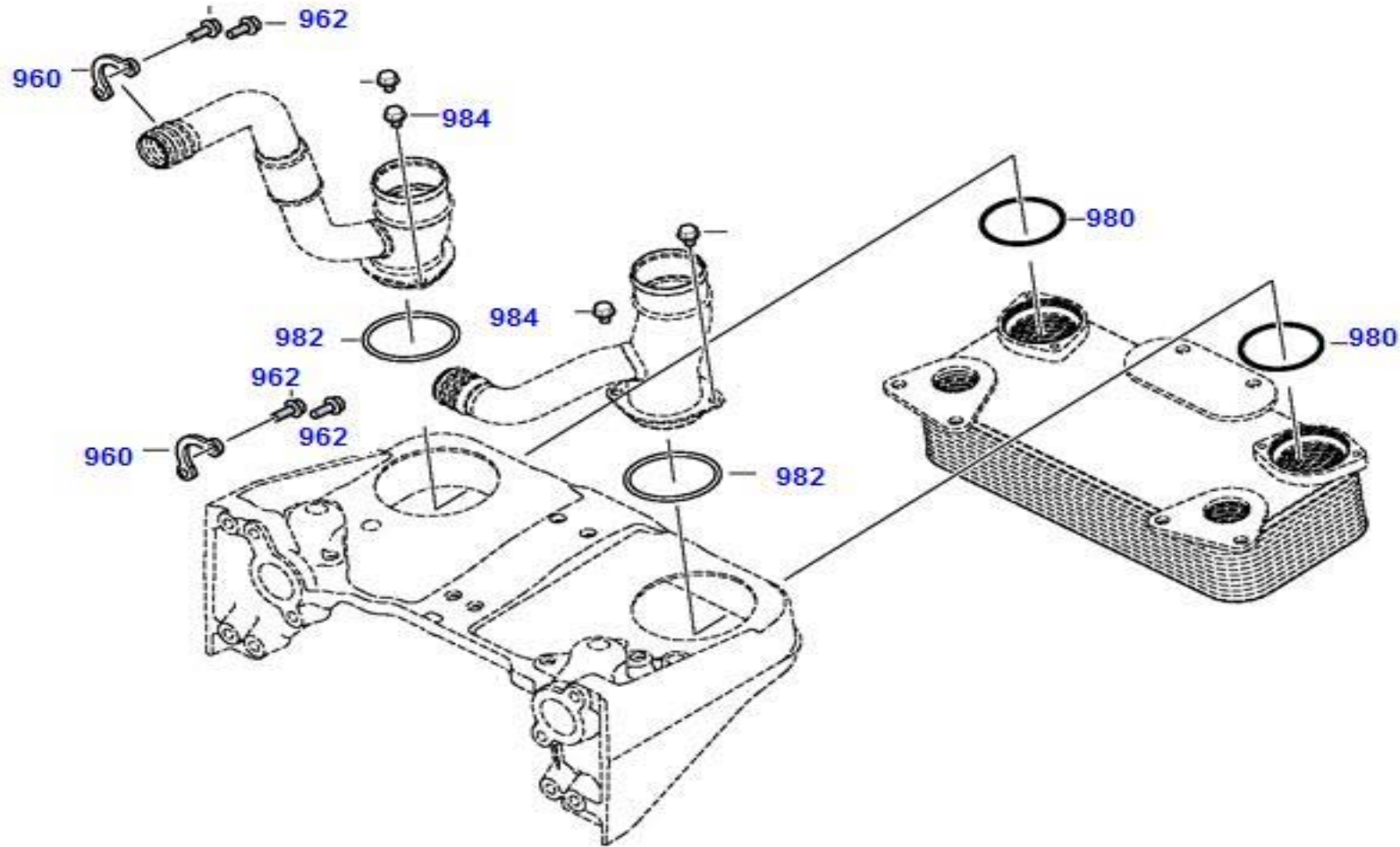
Picture No: ISZFA1090

| POZ | Part No | N.S.N | Code | Part Name (Türkçe) | Part Name (English) | Quantity |
|--------------------------|--------------|-------|------|---------------------------|---------------------|-------------|
| | | | | <i>Auto Transmission</i> | | |
| 970 | 0636.100.825 | | | VERSCHL.SCHR. | CAP SCREW | |
| 970 | 0501.322.915 | | | O-RING | BALL JOINT | |
| 980 | 0501.221.588 | | | PULSE SENSOR | PULSE SENSOR | |
| Auto Transmission | | | | Transmission-Shift | | 0301 |

0301**Transmission-Shift****Auto Transmission**

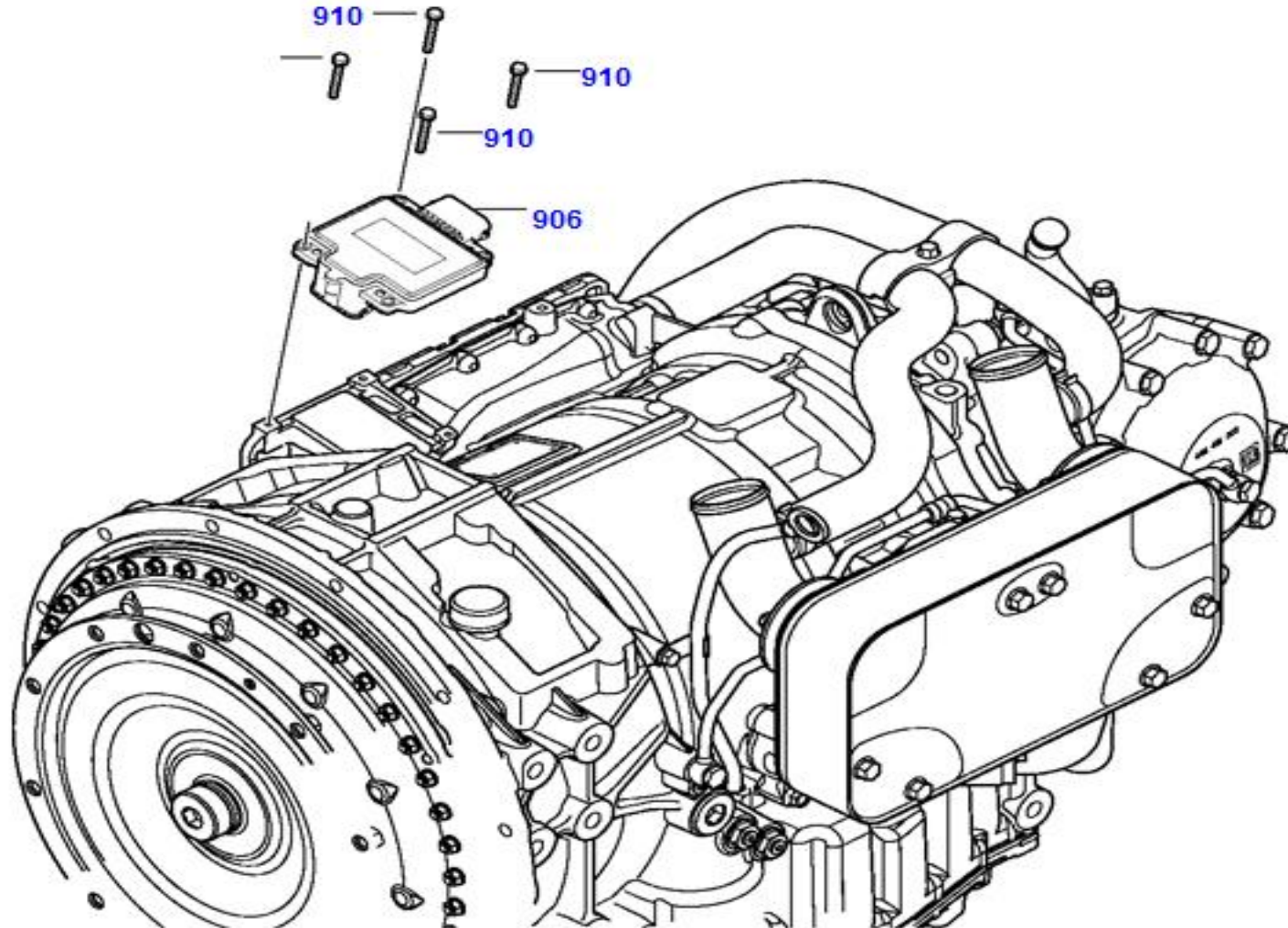
Picture No: ISZFA1091

| POZ | Part No | N.S.N | Code | Part Name (Türkçe) | Part Name (English) | Quantity |
|-------------------|--------------|-------|------|--------------------------|---------------------|----------|
| | | | | <i>Auto Transmission</i> | | |
| 010 | 4181.385.057 | | | ROHR | TUBE | |
| 020 | 0501.328.488 | | | O-RING | O-RING | |
| 100 | 4181.299.035 | | | ROHRSTUTZEN | PIPE SOCKET | |
| Auto Transmission | | | | Transmission-Shift | | 0301 |

0301**Transmission-Shift****Auto Transmission**

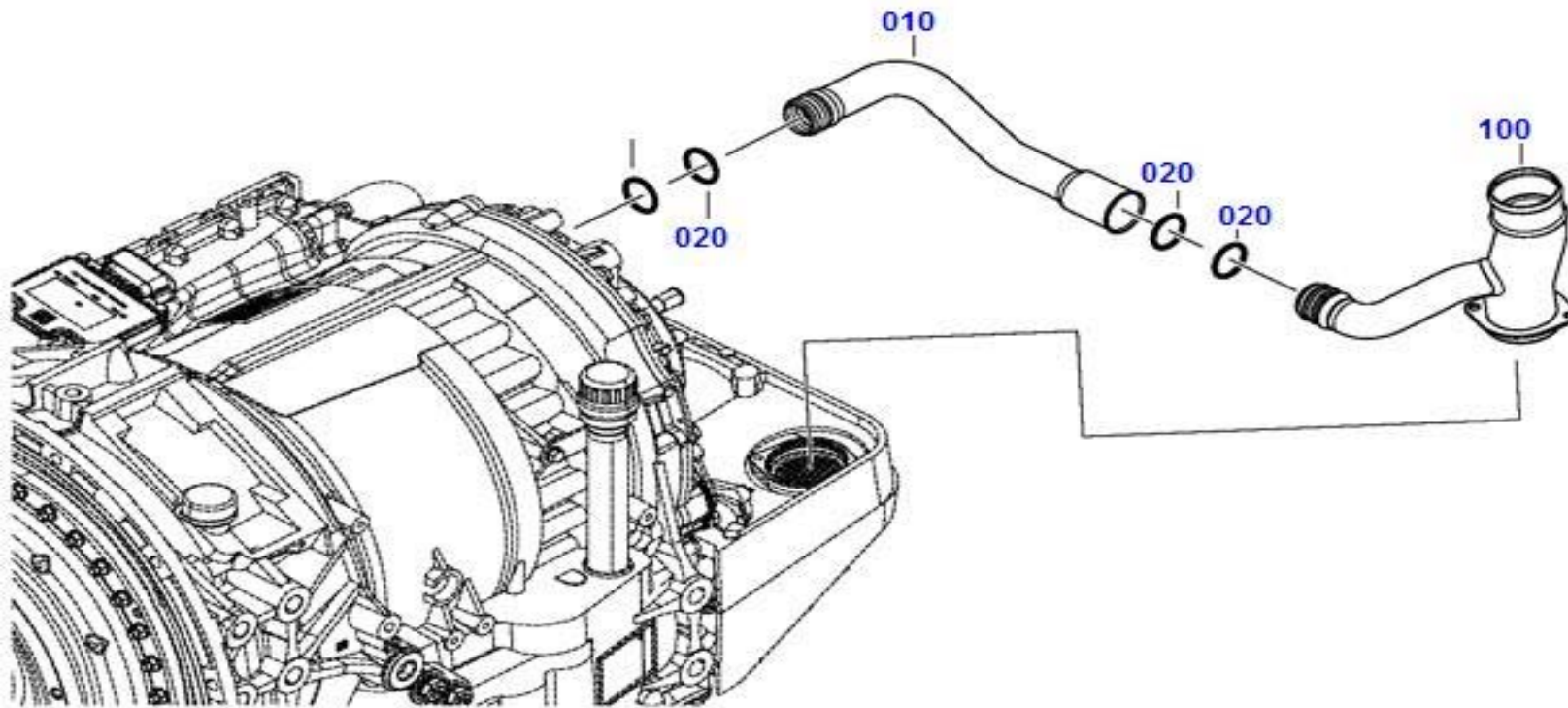
Picture No: ISZFA1092

| POZ | Part No | N.S.N | Code | Part Name (Türkçe) | Part Name (English) | Quantity |
|--------------------------|--------------|-------|------|---------------------------|---------------------|-------------|
| | | | | <i>Auto Transmission</i> | | |
| 960 | 4181.384.102 | | | ANCHORAGE | ANCHORAGE | |
| 962 | 0636.102.643 | | | KOMBISCHRAUBE | COMBINATION SCREW | |
| 980 | 0501.331.347 | | | O-RING | O-RING | |
| 982 | 4181.384.101 | | | DICHTUNG | COVER | |
| 984 | 0636.102.629 | | | KOMBISCHRAUBE | COMBINATION SCREW | |
| Auto Transmission | | | | Transmission-Shift | | 0301 |

0301**Transmission-Shift****Auto Transmission**

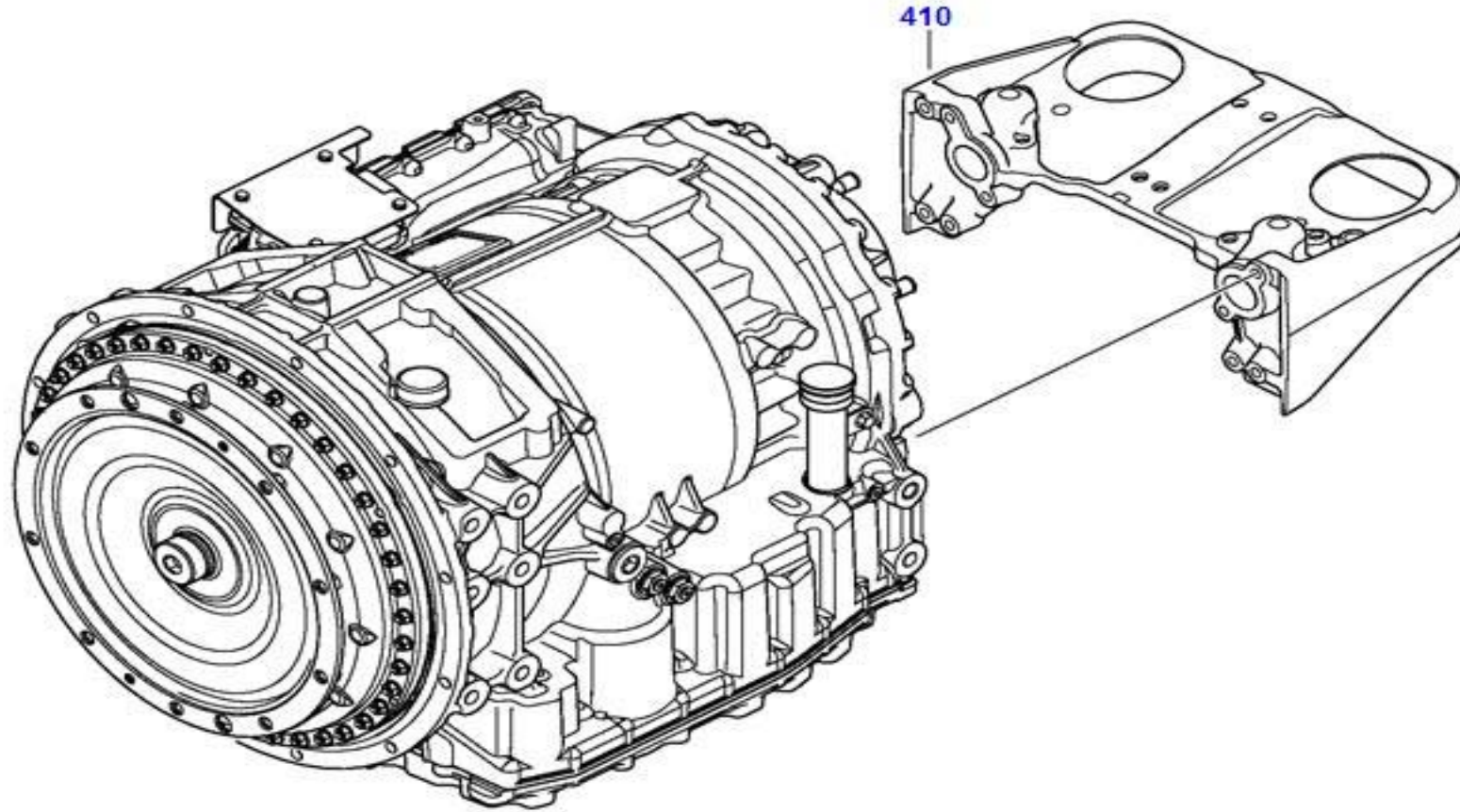
Picture No: ISZFA1093

| POZ | Part No | N.S.N | Code | Part Name (Türkçe) | Part Name (English) | Quantity |
|-------------------|--------------|-------|------|--------------------------|---------------------|----------|
| | | | | <i>Auto Transmission</i> | | |
| 906 | 0501.323.632 | | | SCHUTZKAPPE | AIR SPRING BELLOWS | |
| 910 | 0736.300.171 | | | 6KT.SCHRAUBE | CAP SCREW | |
| Auto Transmission | | | | Transmission-Shift | | 0301 |

0301**Transmission-Shift****Auto Transmission**

Picture No: ISZFA1094

| POZ | Part No | N.S.N | Code | Part Name (Türkçe) | Part Name (English) | Quantity |
|-------------------|--------------|-------|------|--------------------------|---------------------|----------|
| | | | | <i>Auto Transmission</i> | | |
| 010 | 4181.385.056 | | | ROHR | TUBE | |
| 020 | 0501.328.488 | | | O-RING | O-RING | |
| 100 | 4181.299.034 | | | ROHRSTUTZEN | PIPE SOCKET | |
| Auto Transmission | | | | Transmission-Shift | | 0301 |

0301**Transmission-Shift****Auto Transmission**

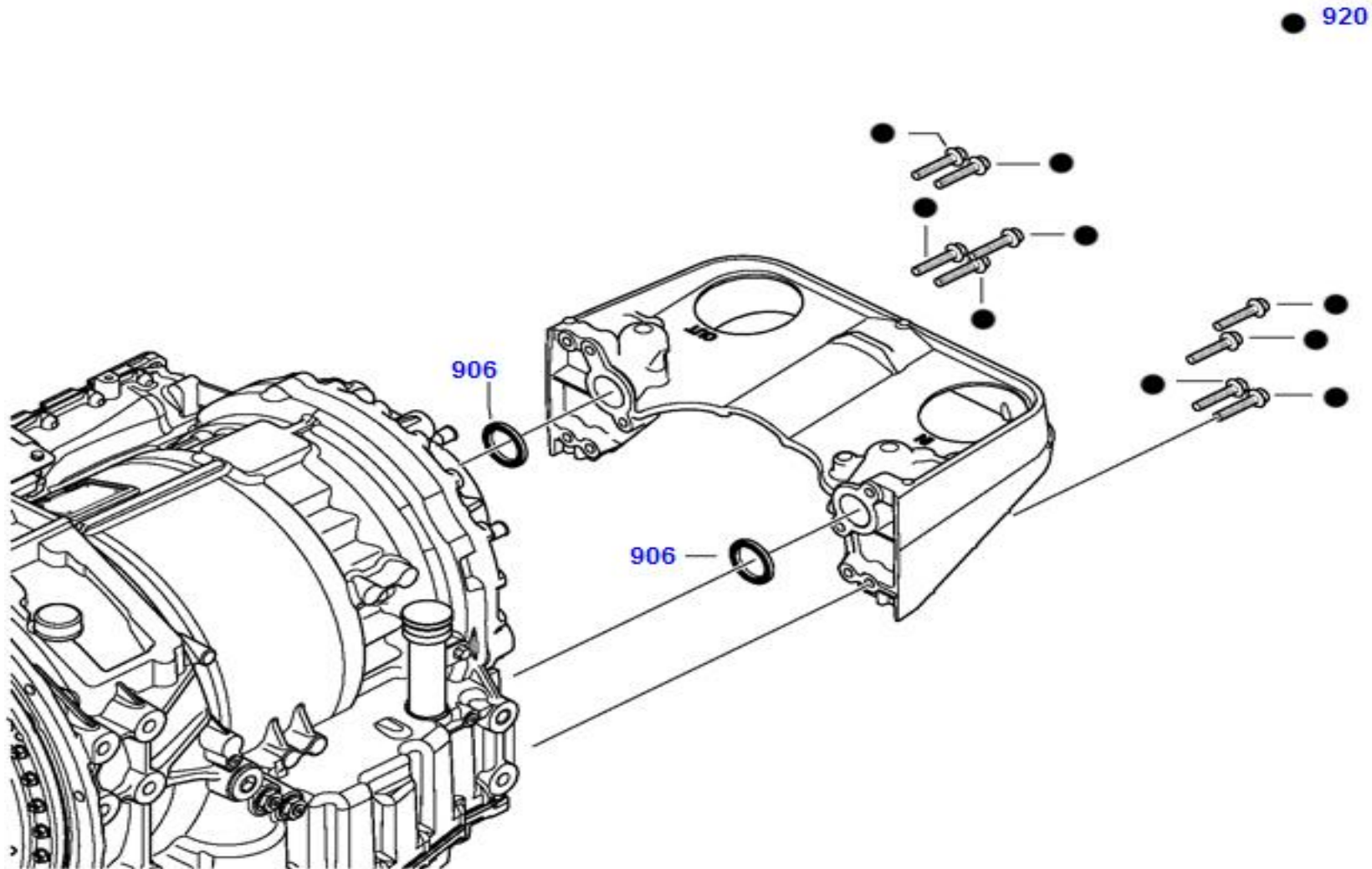
Picture No: ISZFA1095

| POZ | Part No | N.S.N | Code | Part Name (Türkçe) | Part Name (English) | Quantity |
|-------------------|--------------|-------|------|------------------------------------|---------------------|----------|
| 410 | 4181.284.054 | | | <i>Auto Transmission</i> HALTER | BRACKET | |
| Auto Transmission | | | | Transmission-Shift | | 0301 |

0301

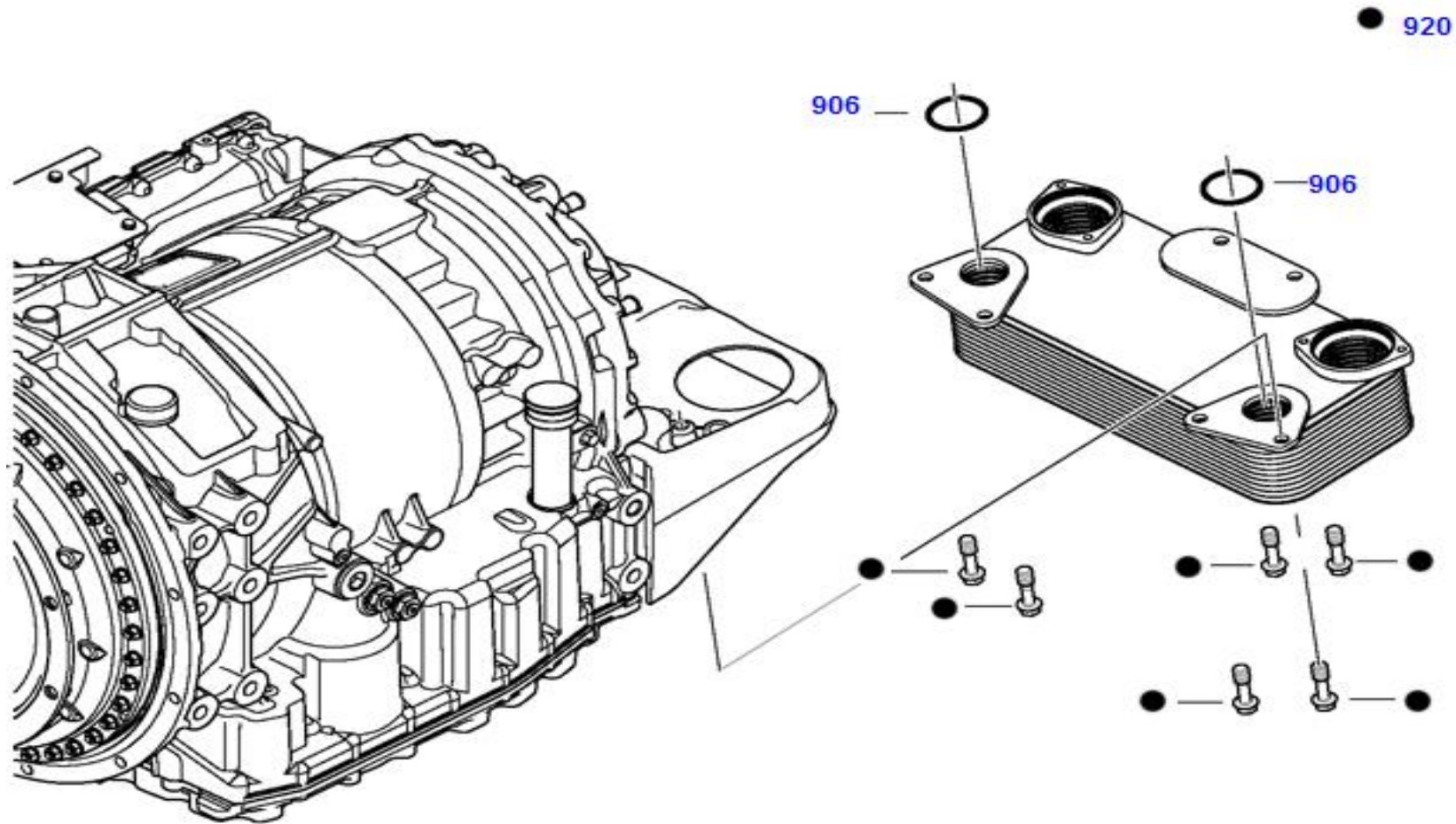
Transmission-Shift

Auto Transmission

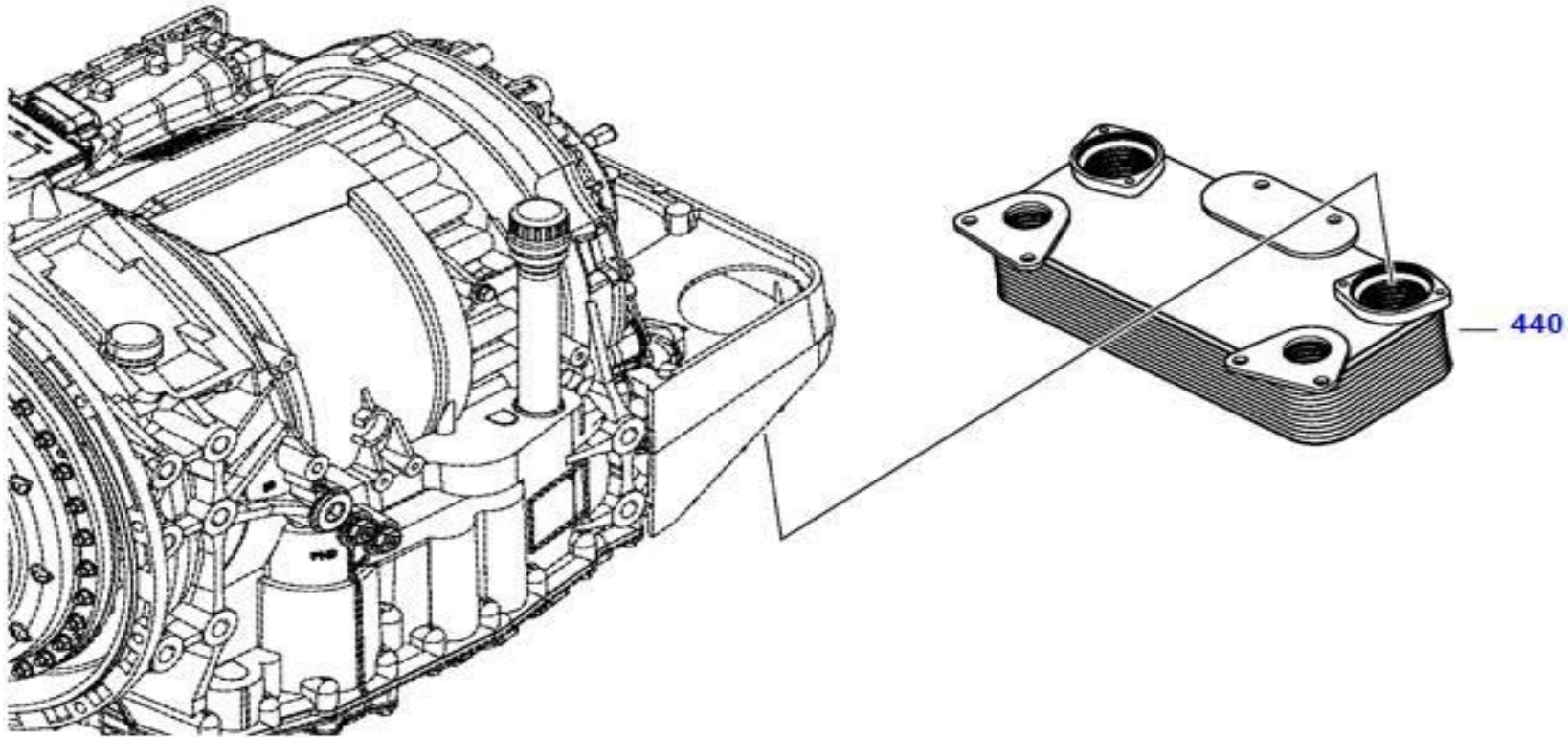


Picture No: ISZFA1096

| POZ | Part No | N.S.N | Code | Part Name (Türkçe) | Part Name (English) | Quantity |
|-------------------|--------------|-------|------|--------------------------|-------------------------|----------|
| | | | | <i>Auto Transmission</i> | | |
| 906 | 0501.326.758 | | | PROFILDICHTRING | DIFFERENTIAL BEVEL GEAR | |
| 920 | 0636.100.828 | | | KOMBISCHRAUBE | CAP SCREW | |
| Auto Transmission | | | | Transmission-Shift | | 0301 |

0301**Transmission-Shift****Auto Transmission**

Picture No: ISZFA1097

0301**Transmission-Shift****Auto Transmission**

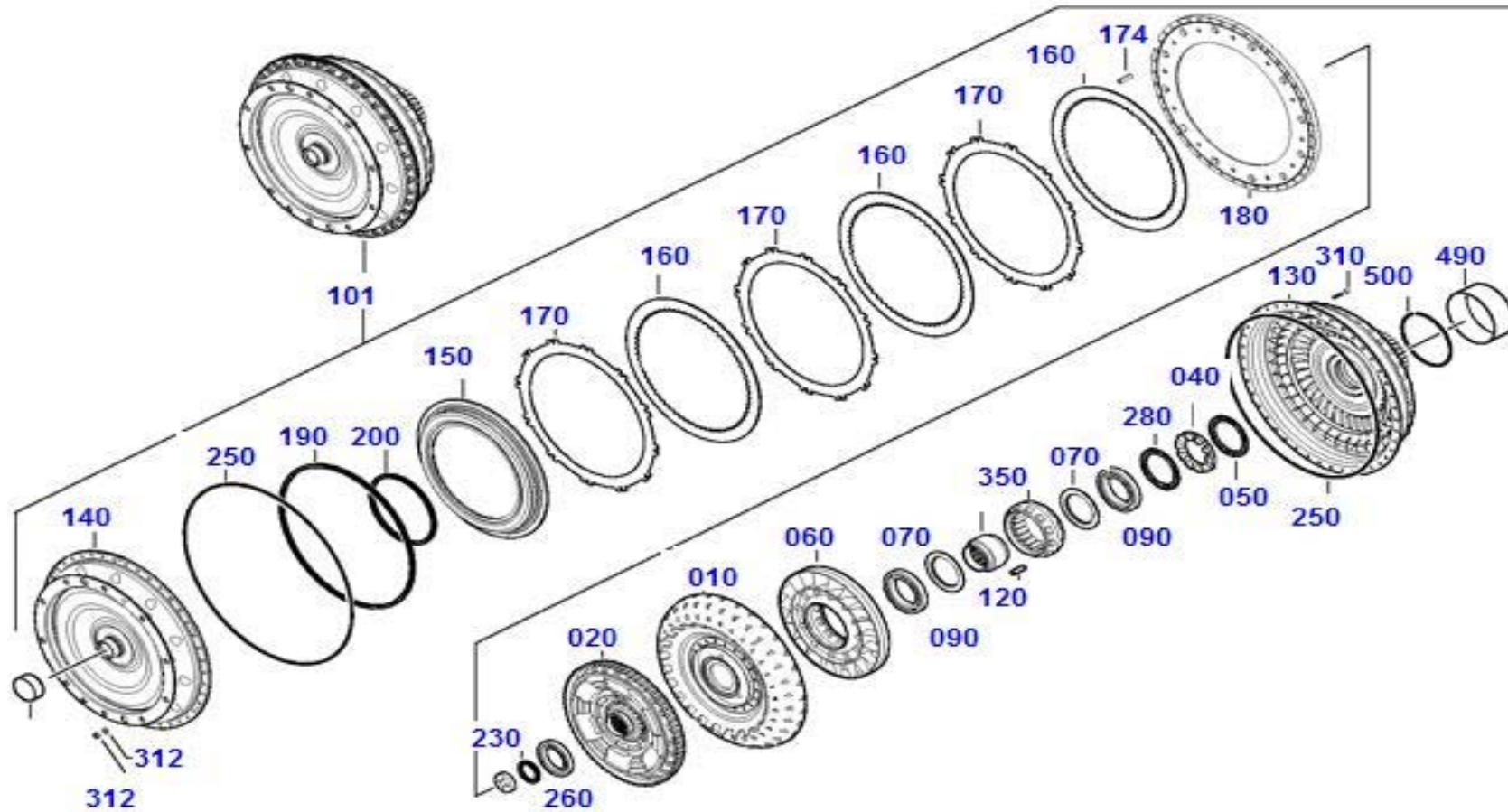
Picture No: ISZFA1098

| POZ | Part No | N.S.N | Code | Part Name (Türkçe) | Part Name (English) | Quantity |
|-------------------|--------------|-------|------|--|---------------------|----------|
| 440 | 0501.219.783 | | | <i>Auto Transmission</i> WAERMETAUSCHER | HEAT EXCHANGER | |
| Auto Transmission | | | | Transmission-Shift | | 0301 |

0301

Transmission-Shift

Auto Transmission



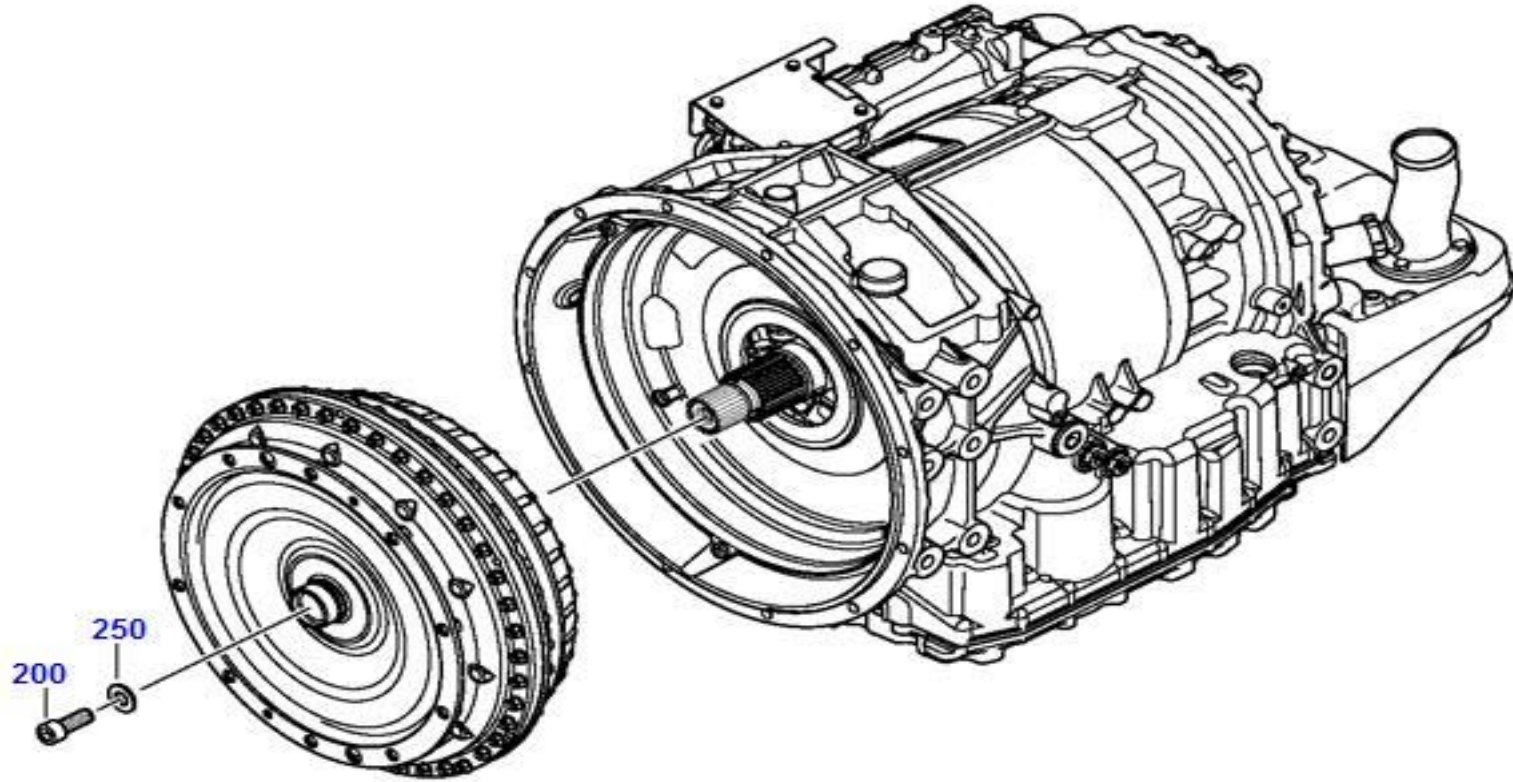
Picture No: ISZFA1099

| POZ | Part No | N.S.N | Code | Part Name (Türkçe) | Part Name (English) | Quantity |
|-----|--------------|-------|------|--------------------------|----------------------|----------|
| | | | | <i>Auto Transmission</i> | | |
| 010 | 0501.216.774 | | | TURBINENRAD | PRESSURE FILTER | |
| 020 | 0501.216.291 | | | TORS.DAEMPFER | PRESSURE FILTER | |
| 040 | 0501.325.181 | | | DRUCKSCHEIBE | AXIAL WASHER | |
| 050 | 0501.323.533 | | | AXIALNADELLAGER | AIR SPRING BELLOWS | |
| 060 | 0501.325.757 | | | LEITRAD | AXIAL WASHER | |
| 070 | 0501.325.056 | | | AXIALSCHEIBE | AXIAL WASHER | |
| 080 | 0501.328.717 | | | FREILAUFRING | AXLE BEVEL GEAR | |
| 090 | 0635.330.085 | | | KUGELLAGER | BALL BEARING | |
| 101 | 0501.008.489 | | | WANDLER | CONVERTER | |
| 120 | 0735.470.101 | | | ROLLE | ROLLER | |
| 130 | 0501.325.759 | | | PUMPENRAD | AXIAL WASHER | |
| 140 | 0501.218.777 | | | KREISLAUFDECKEL | BRAKE LINING | |
| 150 | 0501.324.422 | | | TELLERKOLBEN | BRAKE CYLINDER | |
| 160 | 0501.215.214 | | | INNENLAMELLE | BEARING UNIT | |
| 170 | 0501.215.215 | | | OUTER CLUTCH DISK | OUTER CLUTCH DISK | |
| 174 | 0501.325.507 | | | ZYLINDERSTIFT | AXIAL WASHER | |
| 180 | 0501.324.737 | | | ENDSCHEIBE | BRAKE CYLINDER | |
| 180 | 0501.324.738 | | | ENDSCHEIBE | BRAKE CYLINDER | |
| 190 | 0501.332.512 | | | SEALING RING | SEALING RING | |
| 200 | 0501.332.511 | | | SEALING RING | SEALING RING | |
| 230 | 0501.323.531 | | | RECHTECKRING | AIR SPRING BELLOWS | |
| 250 | 0501.323.522 | | | DICHTRING | AIR SPRING BELLOWS | |
| 260 | 0635.330.086 | | | KUGELLAGER | BALL BEARING | |
| 280 | 0735.301.305 | | | AXIALNADELLAGER | AXIAL NEEDLE BEARING | |
| 310 | 0636.100.602 | | | ZYL.SCHRAUBE | CAP SCREW | |
| 312 | 0637.006.276 | | | 6KT.MUTTER | HEXAGON NUT | |
| 314 | 0730.301.063 | | | SCHEIBE | RING | |
| 350 | 0501.323.534 | | | NADELLAGER | AIR SPRING BELLOWS | |

Auto Transmission

Transmission-Shift

0301

0301**Transmission-Shift****Auto Transmission**

Picture No: ISZFA1100

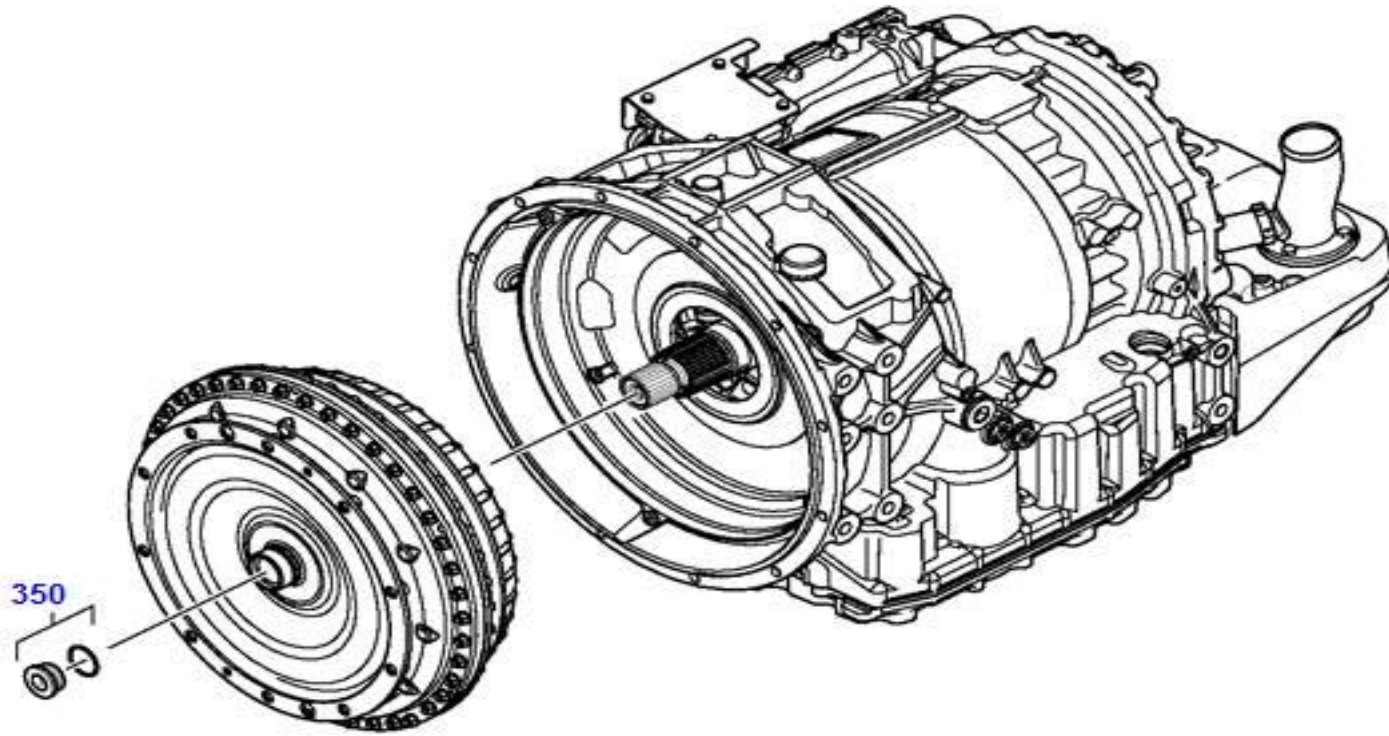


| POZ | Part No | N.S.N | Code | Part Name (Türkçe) | Part Name (English) | Quantity |
|-------------------|--------------|-------|------|--------------------------|---------------------|----------|
| | | | | <i>Auto Transmission</i> | | |
| 200 | 0736.101.458 | | | ZYL.SCHRAUBE | CAP SCREW | |
| 250 | 0730.005.601 | | | RING | RING | |
| 250 | 0730.005.600 | | | RING | RING | |
| 250 | 0730.005.599 | | | RING | RING | |
| 250 | 0730.005.598 | | | RING | RING | |
| 250 | 0730.005.597 | | | RING | RING | |
| 250 | 0730.005.596 | | | RING | RING | |
| 250 | 0730.005.595 | | | RING | RING | |
| 250 | 0730.005.594 | | | RING | RING | |
| 250 | 0730.005.593 | | | RING | RING | |
| 250 | 0730.005.592 | | | RING | RING | |
| Auto Transmission | | | | Transmission-Shift | | 0301 |

0301

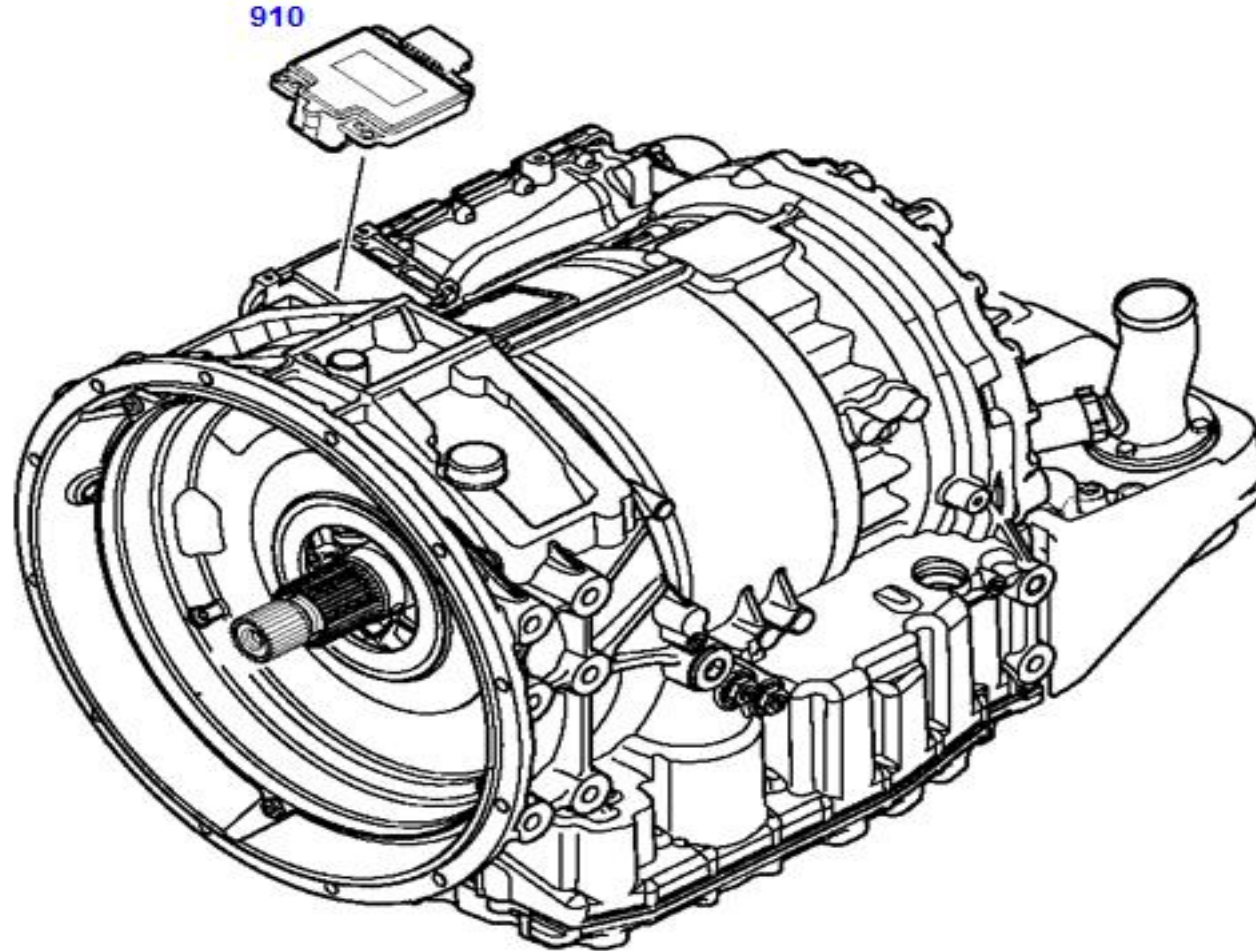
Transmission-Shift

Auto Transmission



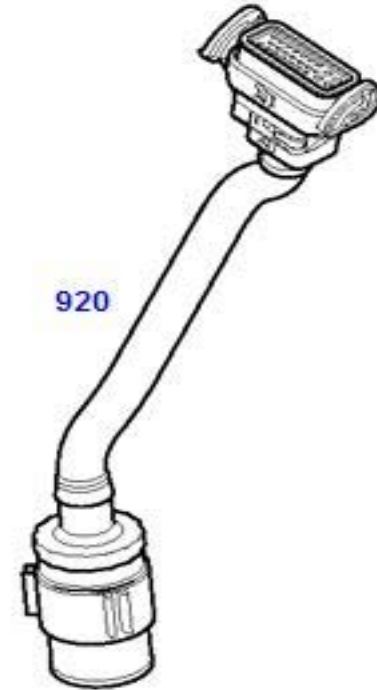
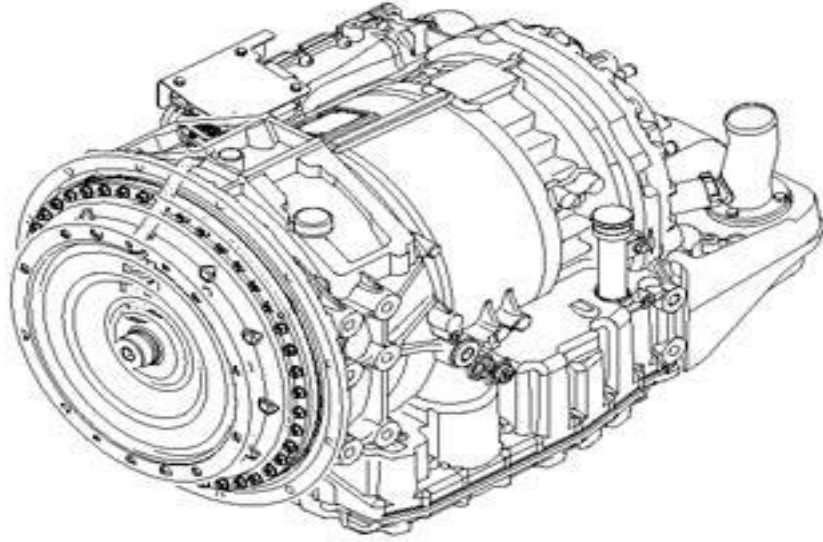
Picture No: ISZFA1101

| POZ | Part No | N.S.N | Code | Part Name (Türkçe) | Part Name (English) | Quantity |
|-------------------|--------------|-------|------|--------------------------|---------------------|----------|
| | | | | <i>Auto Transmission</i> | | |
| 350 | 0636.302.607 | | | VERSCHLUSSSCHRAUBE | SCREW PLUG | |
| 350 | 0634.801.227 | | | DICHTRING | SEALING RING | |
| Auto Transmission | | | | Transmission-Shift | | 0301 |

0301**Transmission-Shift****Auto Transmission**

Picture No: ISZFA1102

| POZ | Part No | N.S.N | Code | Part Name (Türkçe) | Part Name (English) | Quantity |
|-------------------|--------------|-------|------|----------------------------------|---------------------|----------|
| 910 | 6070.003.010 | | | Auto Transmission EST ECOLIFE | EST ECOLIFE | |
| Auto Transmission | | | | Transmission-Shift | | 0301 |

0301**Transmission-Shift****Auto Transmission**

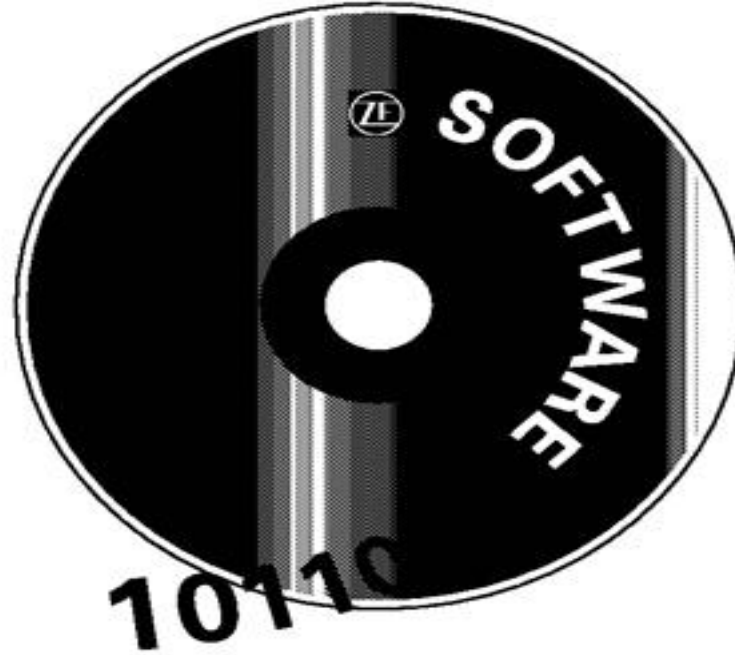
Picture No: ISZFA1103

| POZ | Part No | N.S.N | Code | Part Name (Türkçe) | Part Name (English) | Quantity |
|-------------------|--------------|-------|------|---|---------------------|----------|
| 920 | 6029.039.124 | | | <i>Auto Transmission</i> CABLE ECOLIFE | CABLE ECOLIFE | |
| Auto Transmission | | | | Transmission-Shift | | 0301 |

0301

Transmission-Shift

Auto Transmission



Picture No: ISZFA1104

Bölüm Sonu

ANADOLU ISUZU OTOMOTIV SAN. TIC. A.S.

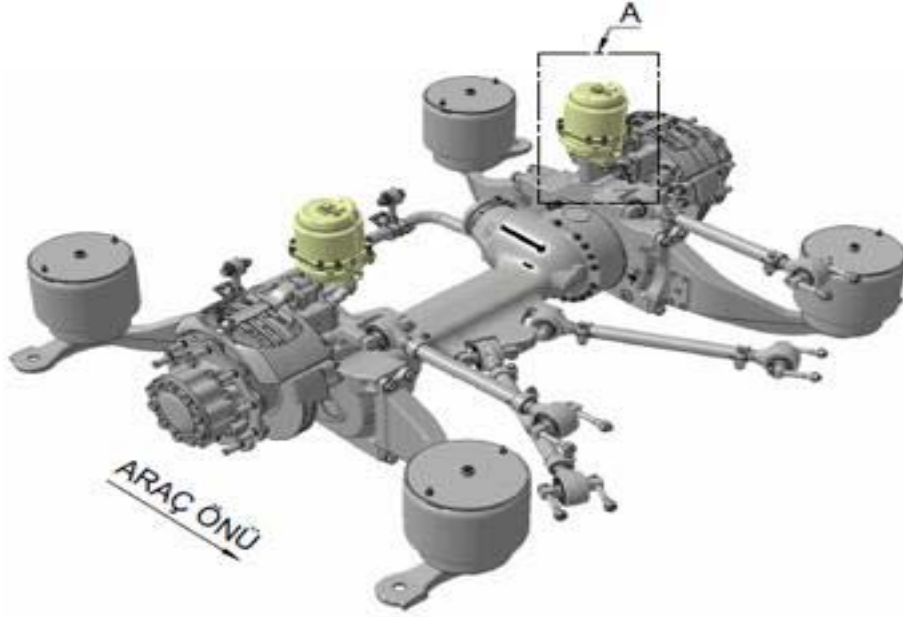
ISUZU



ANADOLU GRUBU

CITIPORT AT E6

04-Steering- Axle-Brake

0401**Steering- Axle-Brake****Rear Wheel Brake**

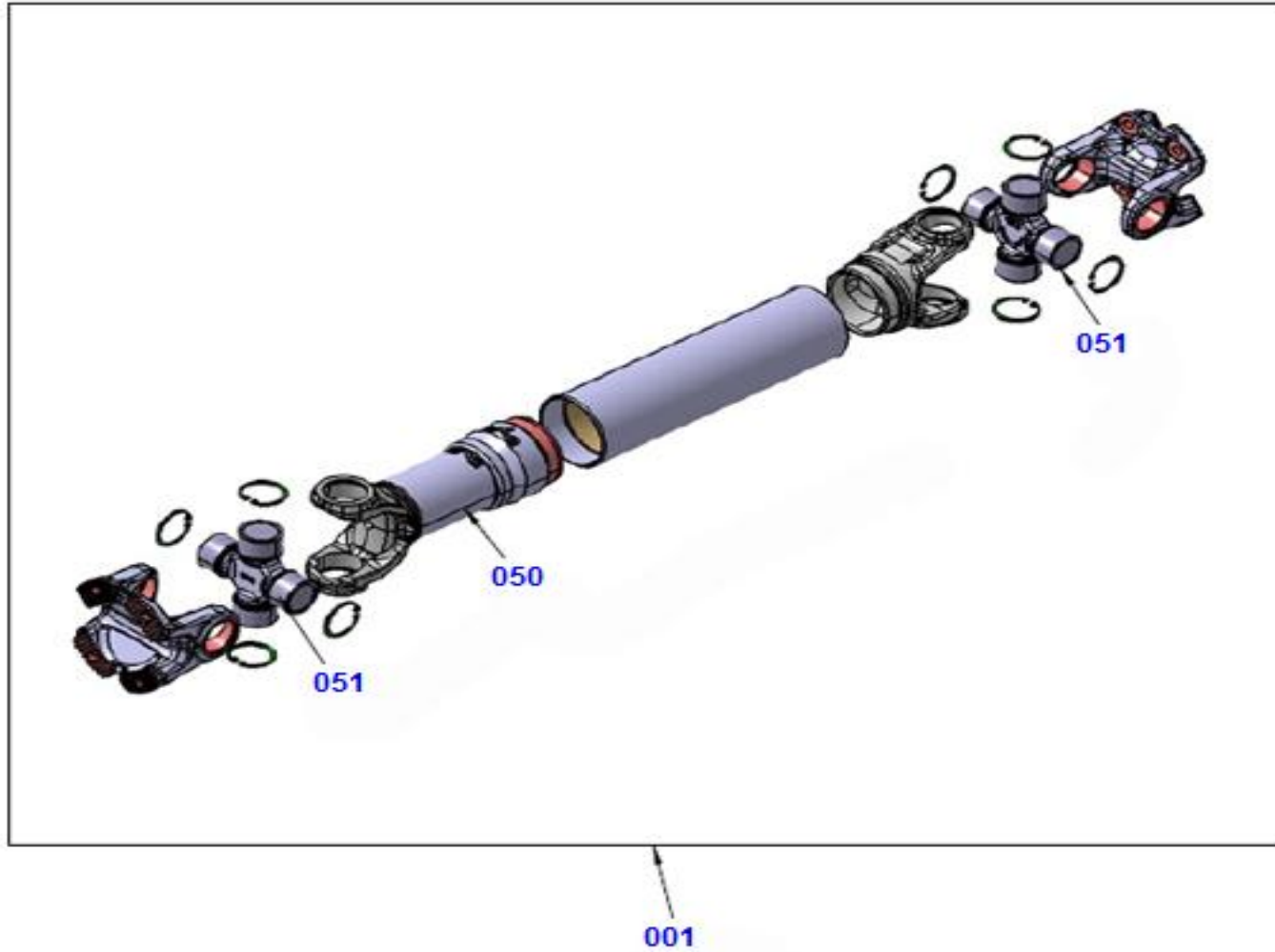


| POZ | Part No | N.S.N | Code | Part Name (Türkçe) | Part Name (English) | Quantity |
|------------------|--------------|-------|------|--|----------------------|----------|
| 001 | 387038779001 | | | <i>Rear Wheel Brake</i> FREN KORUGU, ARKA | BRAKE ACTUATOR, REAR | 2 |
| Rear Wheel Brake | | | | Steering- Axle-Brake | | 0401 |

0402

Steering- Axle-Brake

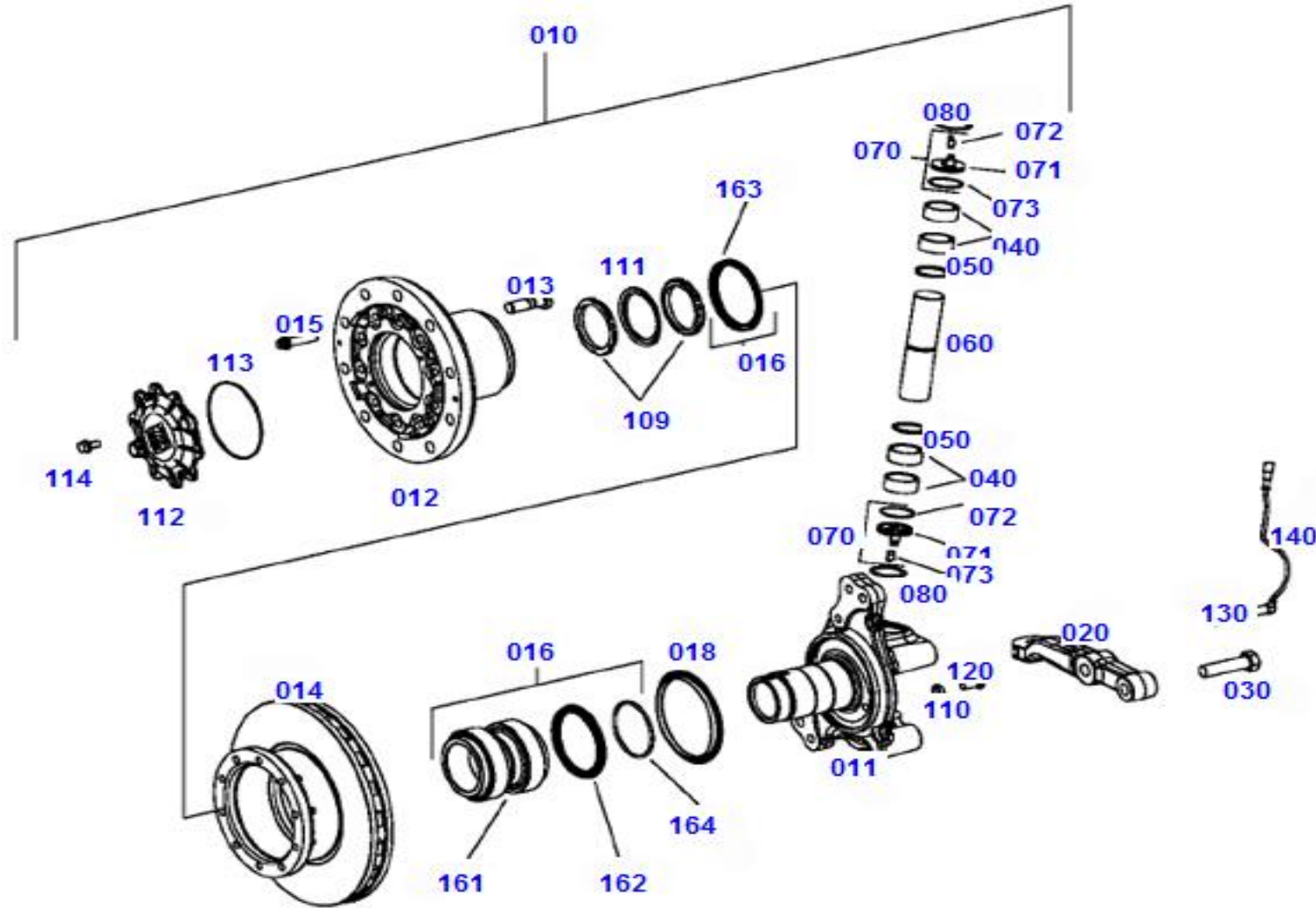
Propeller Shaft



Picture No: EPL344010100-00



| POZ | Part No | N.S.N | Code | Part Name (Türkçe) | Part Name (English) | Quantity |
|-----------------|--------------|-------|------|------------------------|---------------------|----------|
| | | | | <i>Propeller Shaft</i> | | |
| 001 | 387031751001 | | | SAFT, KARDAN 40 SERI | SHAFT, CARDAN | 1 |
| 050 | 387043266001 | | | KAYICI TAKIM | HANGER KIT | 1 |
| 051 | 387043265001 | | | ISTAVROZ | SPIDER | 1 |
| Propeller Shaft | | | | Steering- Axle-Brake | | 0402 |

0403**Steering- Axle-Brake****Front Axle**

Picture No: 4474075225-000

| POZ | Part No | N.S.N | Code | Part Name (Türkçe) | Part Name (English) | Quantity |
|-----|--------------|-------|------|--------------------|----------------------|----------|
| | | | | <i>Front Axle</i> | | |
| 010 | 4474.159.001 | | | WHEEL HEAD | WHEEL HEAD | |
| 010 | 4474.159.002 | | | WHEEL HEAD | WHEEL HEAD | |
| 011 | 4474.375.106 | | | KNUCKLE | AXLE PIN | |
| 011 | 4474.375.107 | | | KNUCKLE | AXLE PIN | |
| 012 | 4474.375.108 | | | HUB | AXLE PIN | |
| 013 | 4475.319.140 | | | WHEEL STUD | WHEEL STUD | |
| 014 | 0501.316.953 | | | BRAKE DISC | BRAKE CYLINDER | |
| 015 | 0750.108.079 | | | TORXSCREW | LOCKING SCREW | |
| 016 | 0501.215.596 | | | BEARING UNIT | BEARING UNIT | |
| 018 | 0501.323.605 | | | PULSE DISC | AIR SPRING BELLOWS | |
| 020 | 4474.375.085 | | | TRACKLEVER | AXLE PIN | |
| 020 | 4474.375.086 | | | TRACKLEVER | AXLE PIN | |
| 030 | 0636.020.229 | | | HEXAGON SCREW | HEXAGON SCREW | |
| 040 | 0735.300.973 | | | NEEDLE SLEEVE | AXIAL NEEDLE BEARING | |
| 050 | 0734.300.171 | | | SEALING RING | SEALING RING | |
| 060 | 4474.375.112 | | | AXLE PIN | AXLE PIN | |
| 070 | 4474.250.001 | | | SEALING HOLDER | SEALING HOLDER | |
| 071 | 4474.375.087 | | | SEALING HOLDER | AXLE PIN | |
| 072 | 0632.604.008 | | | LUBRICATING NIPPLE | LUBRICATING NIPPLE | |
| 073 | 0634.304.270 | | | O-RING | O-RING | |
| 080 | 0630.502.063 | | | RETAINING RING | RETAINING RING | |
| 109 | 0637.504.088 | | | SLOTTED NUT | SLOTTED NUT | |
| 110 | 0637.009.121 | | | HEXAGON NUT | HEXAGON NUT | |
| 111 | 4474.375.111 | | | LOCKING PLATE | AXLE PIN | |
| 112 | 4474.275.006 | | | COVER | COVER | |
| 113 | 0634.303.940 | | | O-RING | O-RING | |
| 114 | 0636.023.123 | | | HEXAGON SCREW | HEXAGON SCREW | |
| 120 | 0736.010.274 | | | STOP SCREW | STOP SCREW | |

Front Axle

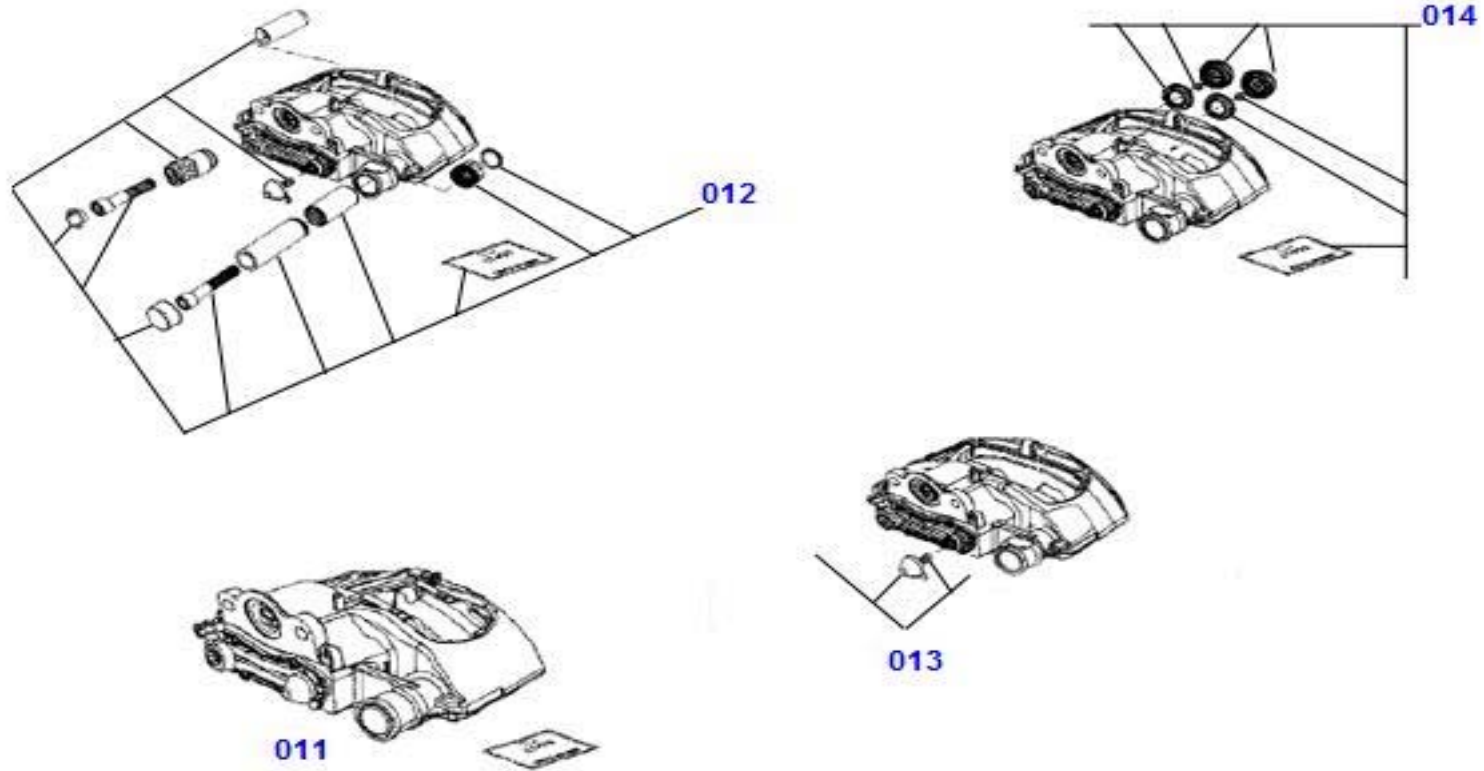
Steering- Axle-Brake

0403

0403

Steering- Axle-Brake

Front Axle



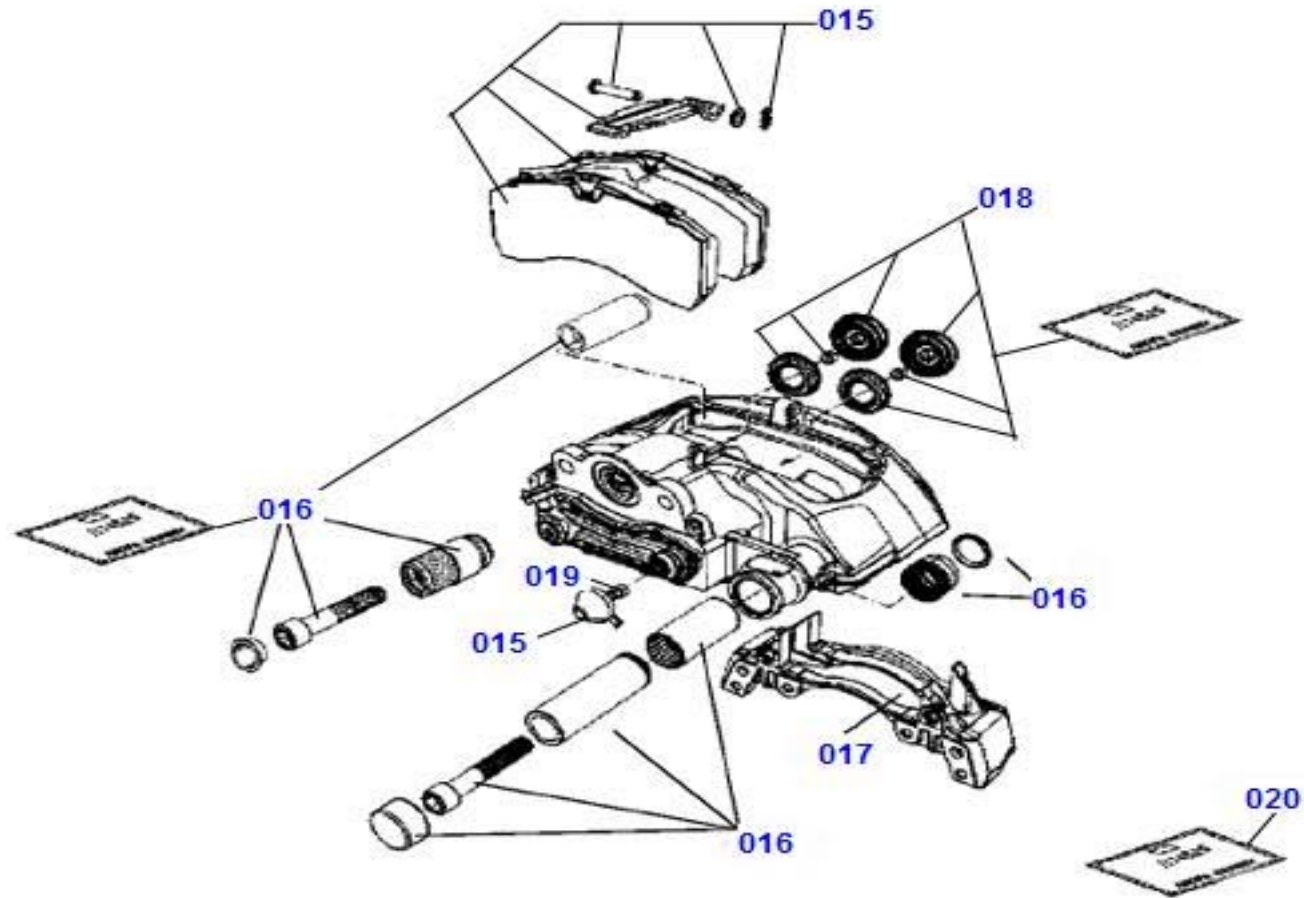
Picture No: 4474075225-001

| POZ | Part No | N.S.N | Code | Part Name (Türkçe) | Part Name (English) | Quantity |
|-----|--------------|-------|------|--------------------|---------------------|----------|
| | | | | <i>Front Axle</i> | | |
| 010 | 0501.008.902 | | | DISC BRAKE | CONVERTER | |
| 010 | 0501.008.903 | | | DISC BRAKE | CONVERTER | |
| 011 | 0501.220.400 | | | BRAKE CALIPER | BRAKE CALIPER | |
| 011 | 0501.220.401 | | | BRAKE CALIPER | BRAKE CALIPER | |
| 012 | 0501.213.688 | | | SEAL KIT | ADJUSTING KIT | |
| 013 | 0501.213.690 | | | ADJUSTING KIT | ADJUSTING KIT | |
| 014 | 0501.215.083 | | | PRESSURE PART | BEARING UNIT | |

Front Axle

Steering- Axle-Brake

0403

0403**Steering- Axle-Brake****Front Axle**

Picture No: 4474075225-002

| POZ | Part No | N.S.N | Code | Part Name (Türkçe) | Part Name (English) | Quantity |
|-----|--------------|-------|------|--------------------|---------------------|----------|
| | | | | <i>Front Axle</i> | | |
| 015 | 0501.218.921 | | | BRAKE LINING | BRAKE LINING | |
| 016 | 0501.213.688 | | | SEAL KIT | ADJUSTING KIT | |
| 017 | 0501.213.741 | | | BRAKE CARRIER | ADJUSTING KIT | |
| 018 | 0501.215.083 | | | PRESSURE PART | BEARING UNIT | |
| 019 | 0501.213.690 | | | ADJUSTING KIT | ADJUSTING KIT | |
| 020 | 0501.319.947 | | | ASSEMBLY GREASE | ASSEMBLY GREASE | |

Front Axle

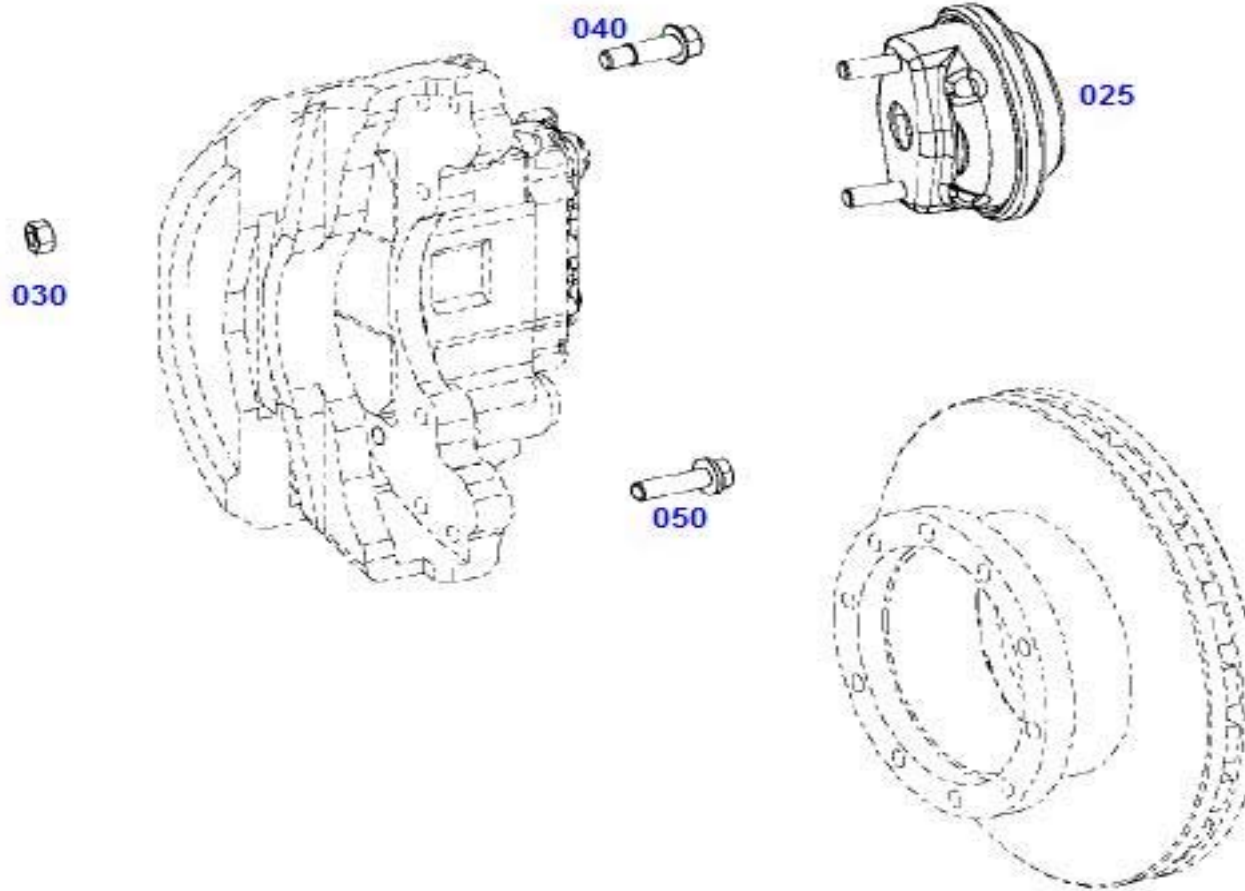
Steering- Axle-Brake

0403

0403

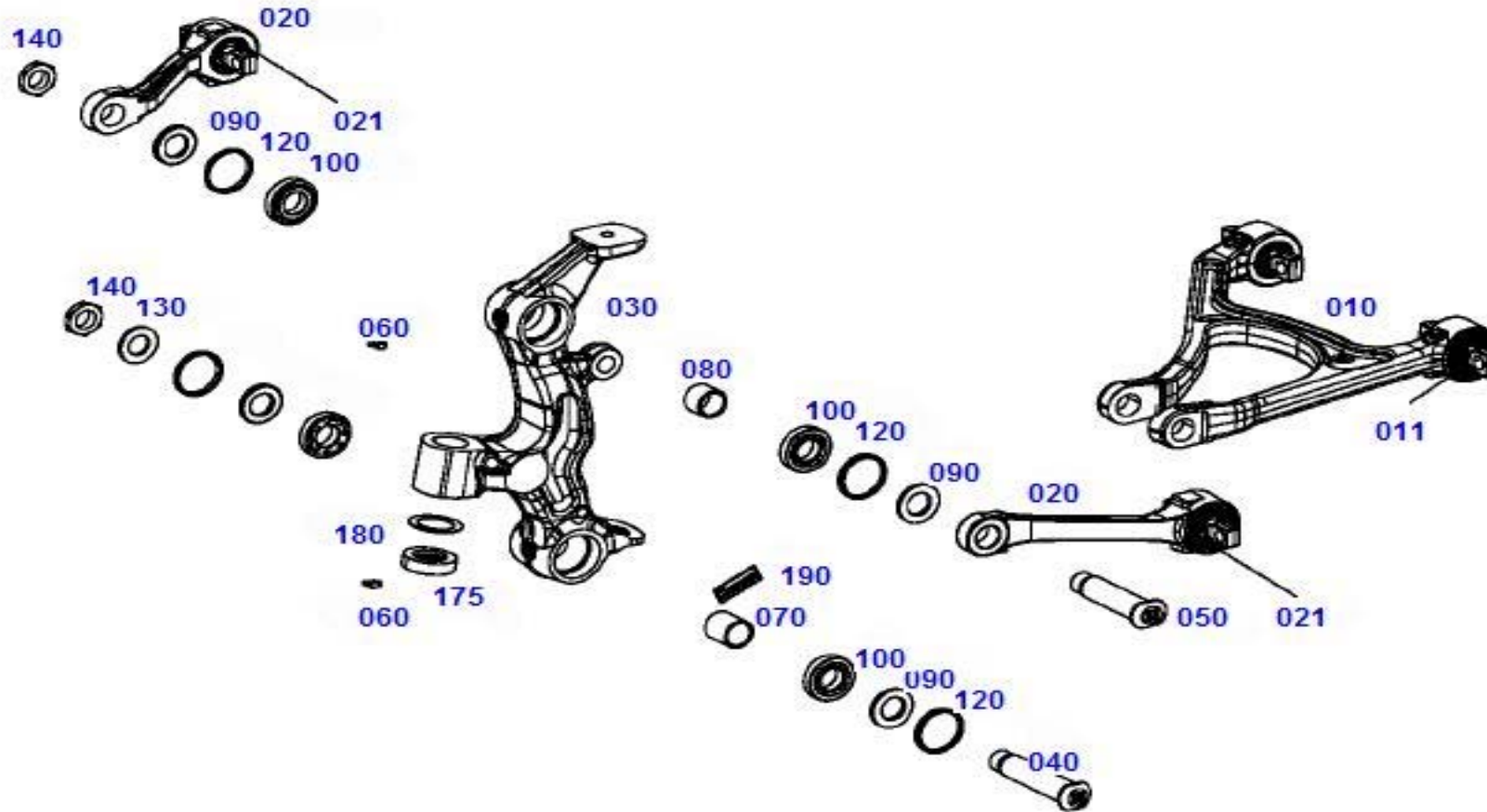
Steering- Axle-Brake

Front Axle



Picture No: 4474075225-003

| POZ | Part No | N.S.N | Code | Part Name (Türkçe) | Part Name (English) | Quantity |
|------------|--------------|-------|------|----------------------|---------------------|----------|
| | | | | <i>Front Axle</i> | | |
| 025 | 0501.324.075 | | | BRAKE CYLINDER | BRAKE CYLINDER | |
| 030 | 0737.300.087 | | | HEXAGON NUT | HEXAGON NUT | |
| 040 | 0736.300.545 | | | FIT BOLT | CAP SCREW | |
| 050 | 0736.300.550 | | | HEXAGON SCREW | CAP SCREW | |
| Front Axle | | | | Steering- Axle-Brake | | 0403 |

0403**Steering- Axle-Brake****Front Axle**

Picture No: 4474075225-004

| POZ | Part No | N.S.N | Code | Part Name (Türkçe) | Part Name (English) | Quantity |
|-----|--------------|-------|------|--------------------------|----------------------|----------|
| | | | | <i>Front Axle</i> | | |
| 010 | 0501.215.173 | | | CONTROLARM | BEARING UNIT | |
| 011 | 0501.218.153 | | | CONTROLARM | BRAKE LINING | |
| 020 | 0501.213.823 | | | CONTROLARM | ADJUSTING KIT | |
| 021 | 0501.298.650 | | | REPAIR KIT | REPAIR KIT | |
| 030 | 4474.375.162 | | | STEERING KNUCKLE SUPPORT | AXLE PIN | |
| 030 | 4474.375.163 | | | STEERING KNUCKLE SUPPORT | AXLE PIN | |
| 040 | 4474.385.030 | | | PIN | RING | |
| 050 | 4474.375.075 | | | PIN | AXLE PIN | |
| 060 | 0632.604.008 | | | LUBRICATING NIPPLE | LUBRICATING NIPPLE | |
| 070 | 4474.375.154 | | | BUSH | AXLE PIN | |
| 080 | 4474.375.153 | | | BUSH | AXLE PIN | |
| 090 | 4474.385.032 | | | RING | RING | |
| 100 | 0735.300.819 | | | TAPERED ROLLER BEARING | AXIAL NEEDLE BEARING | |
| 120 | 0734.317.276 | | | SCRAPER | SCRAPER | |
| 130 | 0730.104.962 | | | WASHER | WASHER | |
| 140 | 0737.006.074 | | | HEXAGON NUT | HEXAGON NUT | |
| 175 | 0735.301.286 | | | AXIAL ROLLER BEARING | AXIAL NEEDLE BEARING | |
| 180 | 0730.105.918 | | | WASHER | WASHER | |
| 180 | 0730.105.919 | | | WASHER | WASHER | |
| 180 | 0730.105.920 | | | WASHER | WASHER | |
| 180 | 0730.105.921 | | | WASHER | WASHER | |
| 180 | 0730.105.922 | | | WASHER | WASHER | |
| 180 | 0730.105.923 | | | WASHER | WASHER | |
| 180 | 0730.105.924 | | | WASHER | WASHER | |
| 180 | 0730.105.925 | | | WASHER | WASHER | |
| 180 | 0730.105.926 | | | WASHER | WASHER | |
| 180 | 0730.105.927 | | | WASHER | WASHER | |
| 180 | 0730.105.928 | | | WASHER | WASHER | |

Front Axle

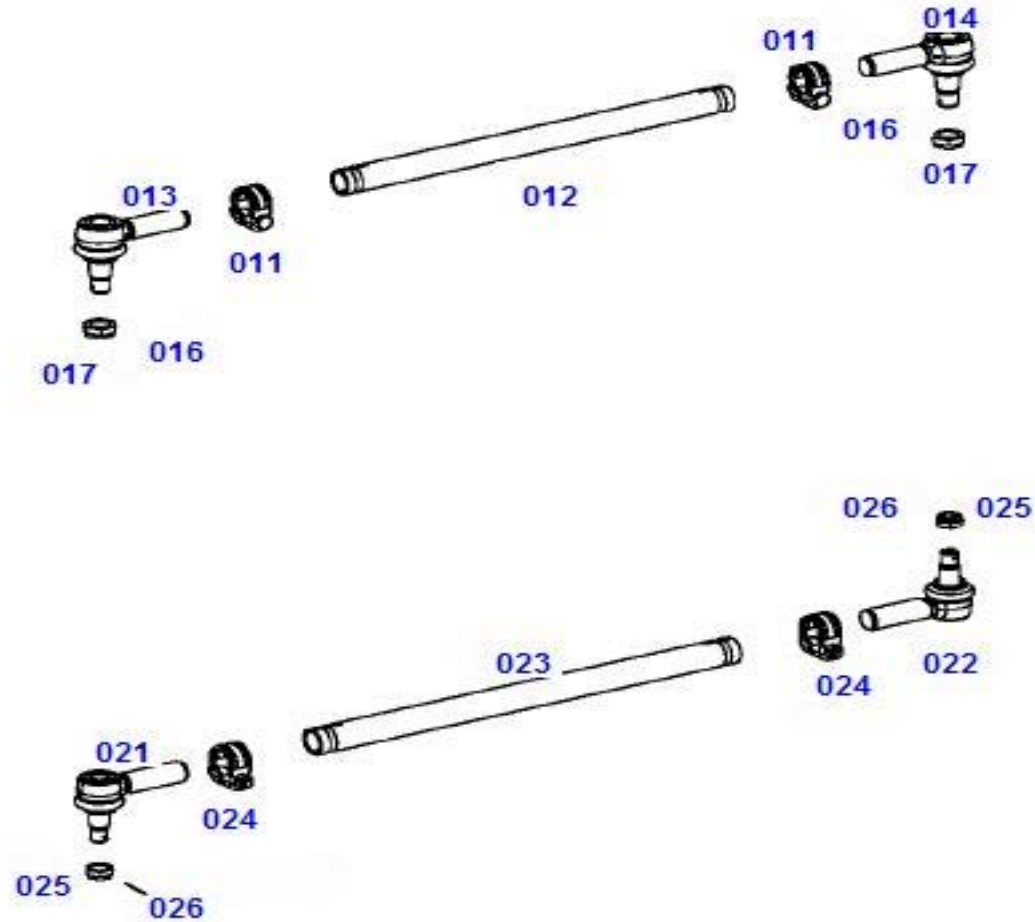
Steering- Axle-Brake

0403

0403

Steering- Axle-Brake

Front Axle



Picture No: 4474075225-005

| POZ | Part No | N.S.N | Code | Part Name (Türkçe) | Part Name (English) | Quantity |
|-----|--------------|-------|------|---------------------|---------------------|----------|
| | | | | <i>Front Axle</i> | | |
| 010 | 0501.007.090 | | | TIE ROD | DISC BRAKE | |
| 011 | 0501.208.368 | | | CLAMP | CLAMP | |
| 012 | 0501.319.387 | | | TUBE | ASSEMBLY GREASE | |
| 013 | 0501.211.834 | | | BALL JOINT | BALL JOINT | |
| 014 | 0501.211.835 | | | BALL JOINT | BALL JOINT | |
| 016 | 0631.701.047 | | | COTTER PIN | COTTER PIN | |
| 017 | 0637.010.052 | | | HEXAGON SLOTTED NUT | HEXAGON SLOTTED NUT | |
| 020 | 0501.214.977 | | | TIE ROD | GASKET | |
| 021 | 0501.322.596 | | | BALL JOINT | BALL JOINT | |
| 022 | 0501.322.597 | | | BALL JOINT | BALL JOINT | |
| 023 | 0501.322.598 | | | TUBE | BALL JOINT | |
| 024 | 0501.208.368 | | | CLAMP | CLAMP | |
| 025 | 0637.010.025 | | | HEXAGON SLOTTED NUT | HEXAGON SLOTTED NUT | |
| 026 | 0631.701.135 | | | COTTER PIN | COTTER PIN | |

Front Axle

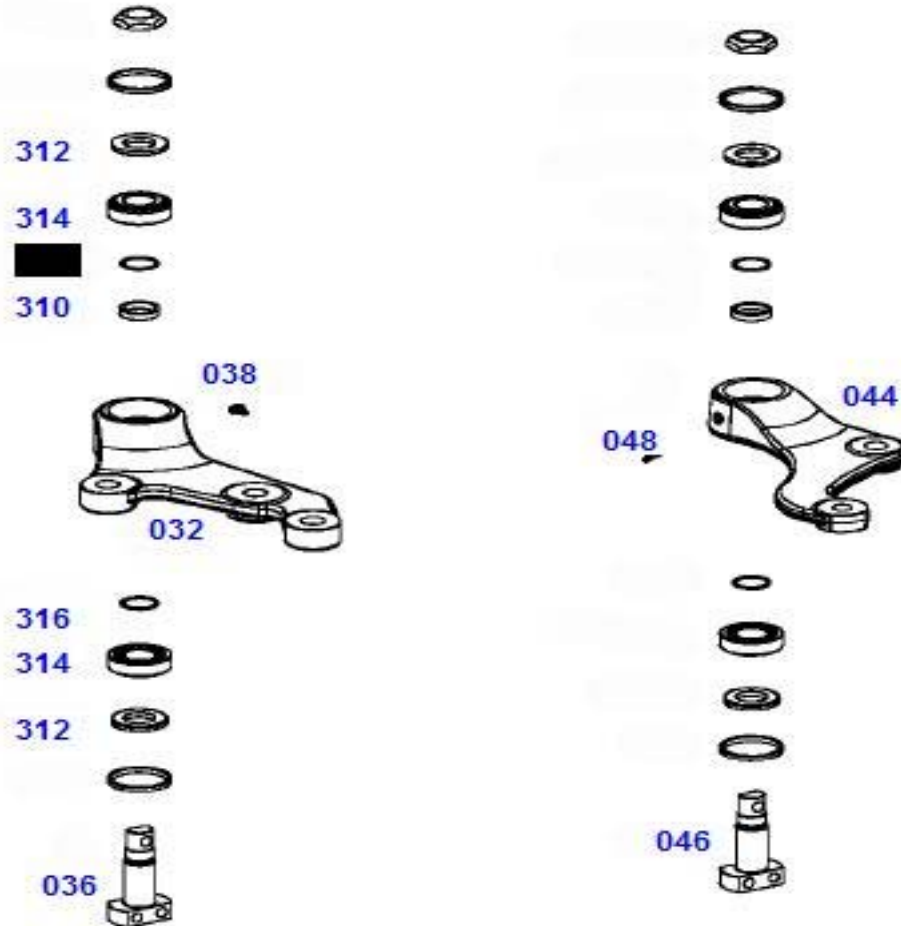
Steering- Axle-Brake

0403

0403

Steering- Axle-Brake

Front Axle



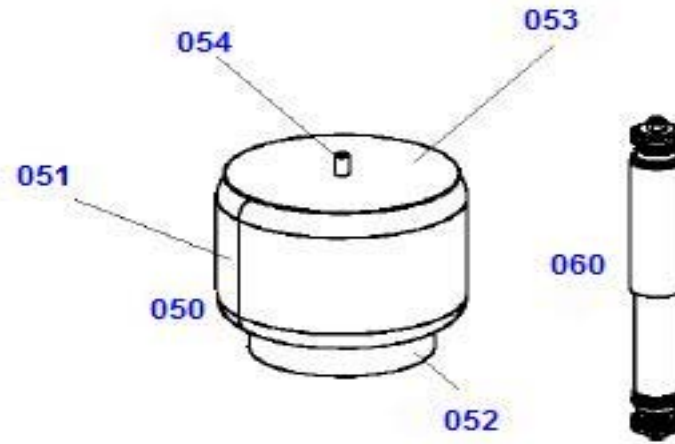
Picture No: 4474075225-006

| POZ | Part No | N.S.N | Code | Part Name (Türkçe) | Part Name (English) | Quantity |
|-----|--------------|-------|------|------------------------|----------------------|----------|
| | | | | <i>Front Axle</i> | | |
| 030 | 4474.152.009 | | | STEERING ARM | STEERING ARM | |
| 032 | 4474.375.081 | | | RELAY LEVER | AXLE PIN | |
| 036 | 4474.375.116 | | | BEARING PIN | AXLE PIN | |
| 038 | 0632.604.007 | | | LUBRICATING NIPPLE | LUBRICATING NIPPLE | |
| 040 | 4474.152.010 | | | STEERING ARM | STEERING ARM | |
| 044 | 4474.375.083 | | | INTERMEDIATE LEVER | AXLE PIN | |
| 046 | 4474.375.116 | | | BEARING PIN | AXLE PIN | |
| 048 | 0632.604.007 | | | LUBRICATING NIPPLE | LUBRICATING NIPPLE | |
| 310 | 4474.375.063 | | | BUSH | AXLE PIN | |
| 312 | 4474.385.032 | | | RING | RING | |
| 314 | 0750.117.618 | | | TAPERED ROLLER BEARING | TAPER ROLLER BEARING | |
| 316 | 0730.107.830 | | | SHIM | SHIM | |
| 316 | 0730.107.831 | | | SHIM | SHIM | |
| 316 | 0730.107.832 | | | SHIM | SHIM | |
| 316 | 0730.107.833 | | | SHIM | SHIM | |
| 316 | 0730.107.834 | | | SHIM | SHIM | |
| 316 | 0730.107.835 | | | SHIM | SHIM | |
| 316 | 0730.107.836 | | | SHIM | SHIM | |
| 316 | 0730.107.837 | | | SHIM | SHIM | |
| 316 | 0730.109.572 | | | SHIM | SHIM | |
| 316 | 0730.109.573 | | | SHIM | SHIM | |
| 316 | 0730.109.574 | | | SHIM | SHIM | |
| 316 | 0730.109.575 | | | SHIM | SHIM | |
| 316 | 0730.109.576 | | | SHIM | SHIM | |
| 316 | 0730.109.577 | | | SHIM | SHIM | |
| 316 | 0730.109.578 | | | SHIM | SHIM | |
| 316 | 0730.109.579 | | | SHIM | SHIM | |
| 316 | 0730.109.580 | | | SHIM | SHIM | |

Front Axle

Steering- Axle-Brake

0403

0403**Steering- Axle-Brake****Front Axle**

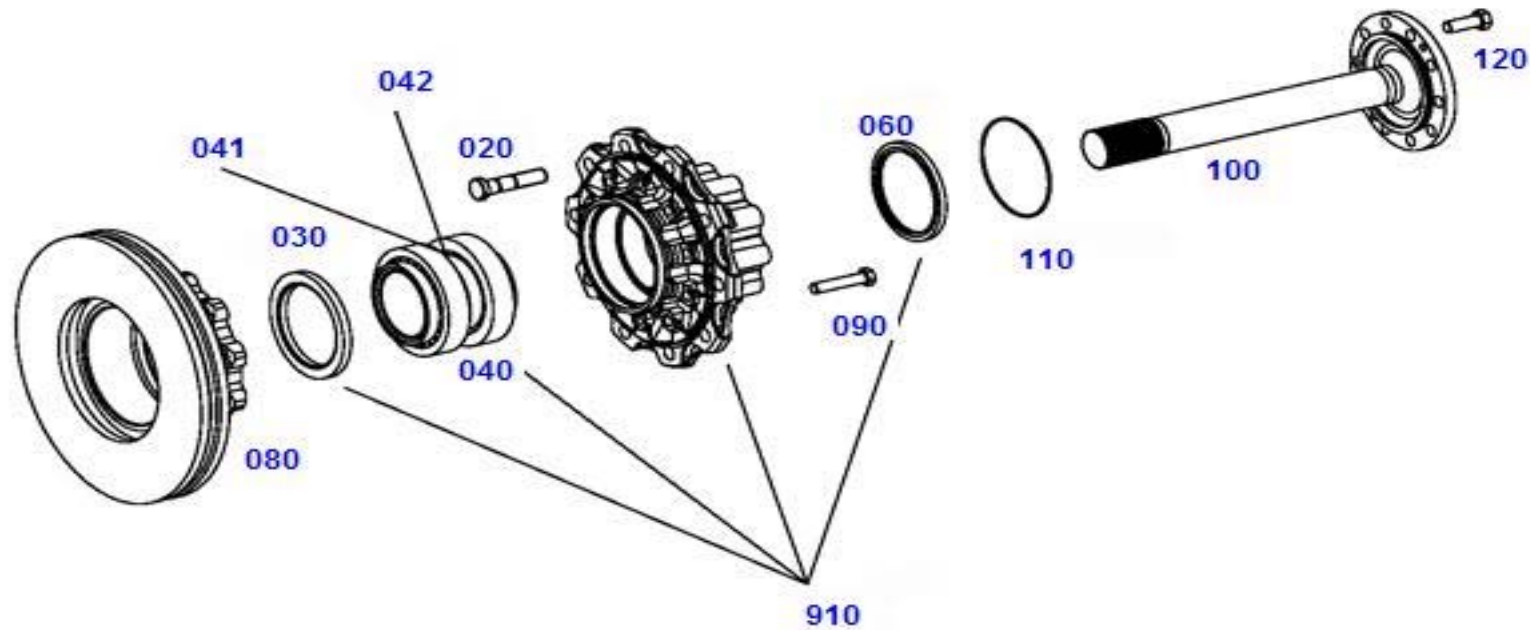
Picture No: 4474075225-007

| POZ | Part No | N.S.N | Code | Part Name (Türkçe) | Part Name (English) | Quantity |
|-----|--------------|-------|------|--------------------|-------------------------|----------|
| | | | | <i>Front Axle</i> | | |
| 050 | 0501.217.174 | | | PNEUMATIC SPRING | OIL COOLER | |
| 051 | 0501.323.863 | | | BELLOWS | AIR SPRING BELLOWS | |
| 052 | 0501.326.999 | | | PISTON | DIFFERENTIAL BEVEL GEAR | |
| 053 | 0501.323.865 | | | PLATE | AIR SPRING BELLOWS | |
| 054 | 0501.323.866 | | | BUFFER | AIR SPRING BELLOWS | |
| 060 | 0501.325.486 | | | SHOCK ABSORBER | AXIAL WASHER | |

Front Axle

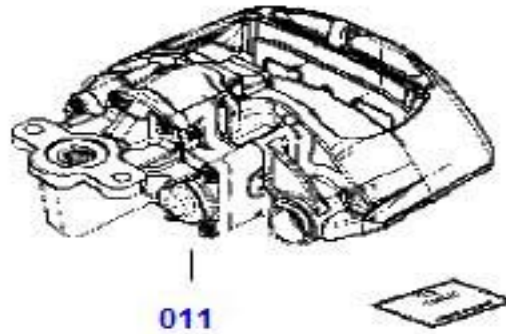
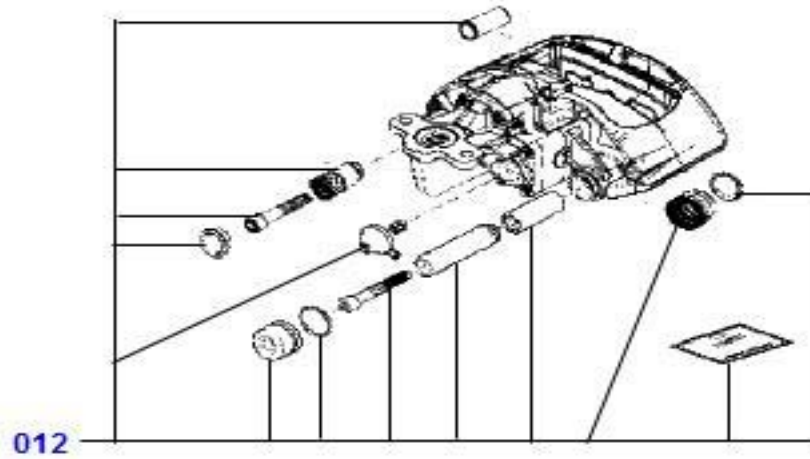
Steering- Axle-Brake

0403

0404**Steering- Axle-Brake****Rear Axle Case & Shaft & Rear Drum**

Picture No: ZF4472040225-001

| POZ | Part No | N.S.N | Code | Part Name (Türkçe) | Part Name (English) | Quantity |
|---|--------------|-------|------|---|---------------------|-------------|
| | | | | <i>Rear Axle Case & Shaft & Rear Drum</i> | | |
| 020 | 4472.335.757 | | | WHEEL STUD | BEARING PIN | |
| 030 | 0734.300.257 | | | SHAFTSEAL | SEALING RING | |
| 040 | 0735.371.966 | | | TAPERED ROLLER BEARING | TA.ROLLER BEARING | |
| 041 | 0501.322.160 | | | RETAINING RING | BALL JOINT | |
| 042 | 0634.313.029 | | | O-RING | O-RING | |
| 060 | 0734.300.258 | | | SHAFT SEAL | SEALING RING | |
| 080 | 0501.316.953 | | | BRAKE DISC | BRAKE CYLINDER | |
| 090 | 0636.020.153 | | | HEXAGON SCREW | HEXAGON SCREW | |
| 100 | 4474.335.142 | | | FLANGE SHAFT | FLANGE SHAFT | |
| 110 | 0634.303.940 | | | O-RING | O-RING | |
| 120 | 0636.021.250 | | | HEXAGON SCREW | HEXAGON SCREW | |
| 910 | 4472.298.187 | | | HUB | HUB | |
| Rear Axle Case & Shaft & Rear Drum | | | | Steering- Axle-Brake | | 0404 |

0404**Steering- Axle-Brake****Rear Axle Case & Shaft & Rear Drum**

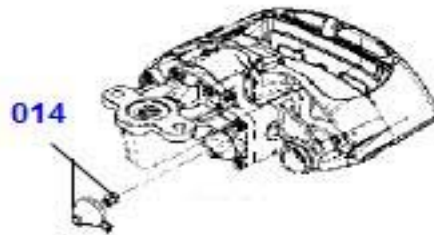
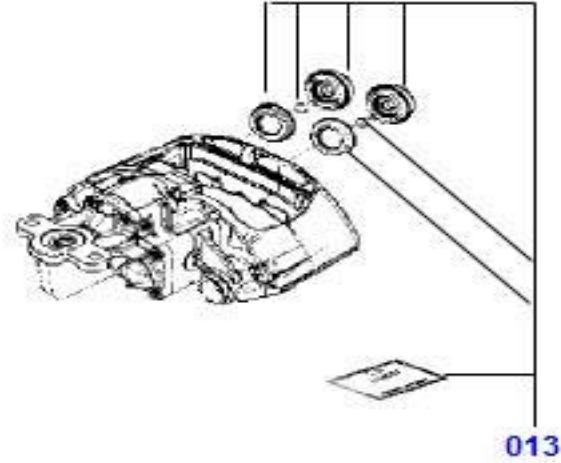
Picture No: ZF4472040225-002

| POZ | Part No | N.S.N | Code | Part Name (Türkçe) | Part Name (English) | Quantity |
|---|--------------|-------|------|---|---------------------|-------------|
| | | | | <i>Rear Axle Case & Shaft & Rear Drum</i> | | |
| 011 | 0501.007.976 | | | DISC BRAKE | DISC BRAKE | |
| 011 | 0501.007.975 | | | DISC BRAKE | DISC BRAKE | |
| 011 | 0501.213.240 | | | BRAKE CALIPER | ADJUSTING KIT | |
| 011 | 0501.213.239 | | | BRAKE CALIPER | ADJUSTING KIT | |
| 012 | 0501.220.525 | | | SEAL KIT | BRAKE CALIPER | |
| Rear Axle Case & Shaft & Rear Drum | | | | Steering- Axle-Brake | | 0404 |

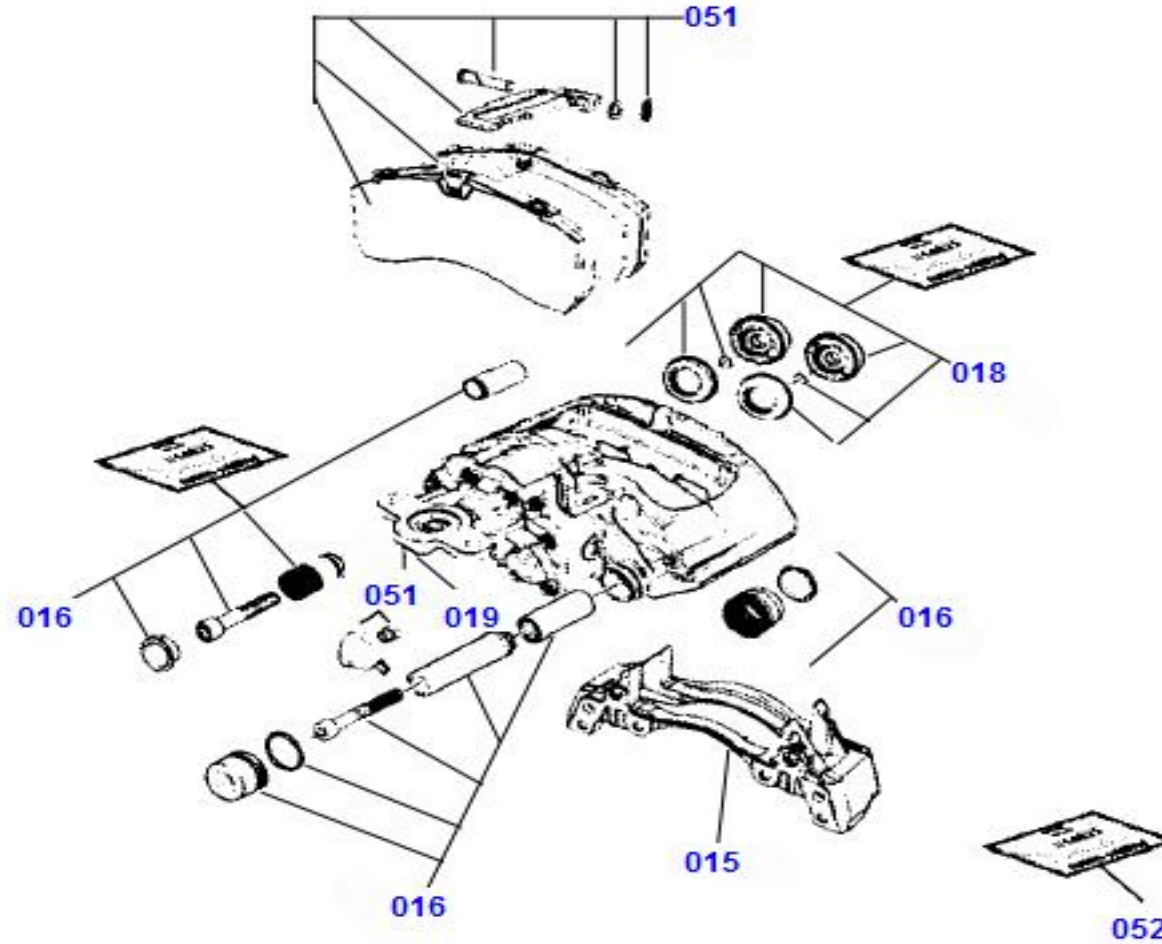
0404

Steering- Axle-Brake

Rear Axle Case & Shaft & Rear Drum



Picture No: ZF4472040225-003

0404**Steering- Axle-Brake****Rear Axle Case & Shaft & Rear Drum**

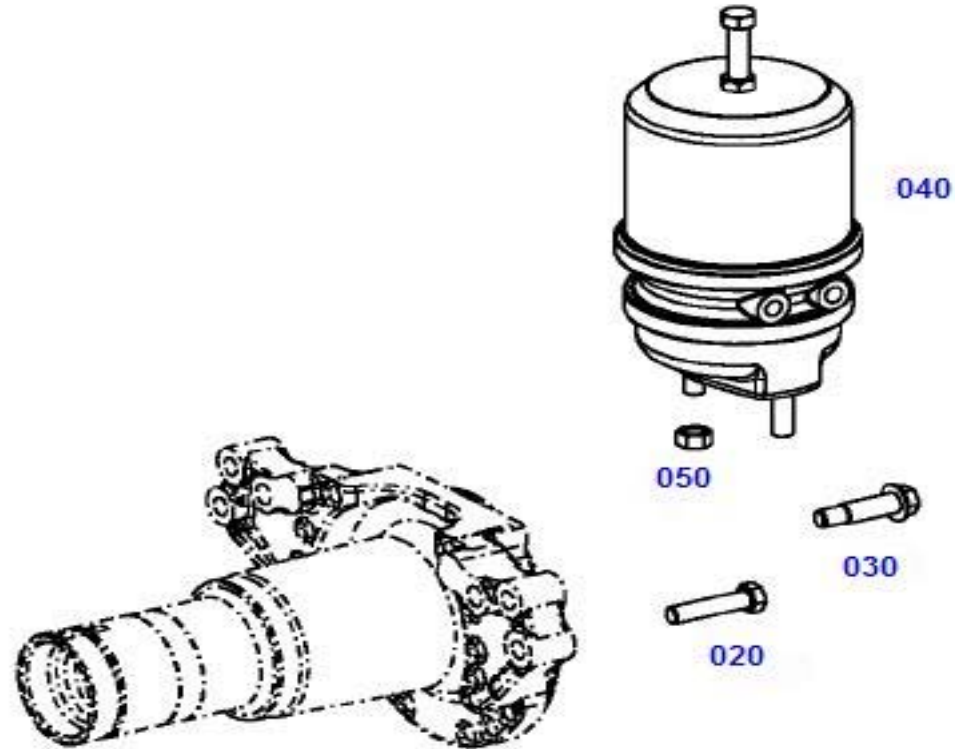
Picture No: ZF4472040225-004

| POZ | Part No | N.S.N | Code | Part Name (Türkçe) | Part Name (English) | Quantity |
|-----|--------------|-------|------|---|-----------------------------|-------------|
| | | | | <i>Rear Axle Case & Shaft & Rear Drum</i> | | |
| 015 | 0501.213.709 | | | BRAKE CARRIER | ADJUSTING KIT | |
| 015 | 0501.213.710 | | | BRAKE CARRIER | ADJUSTING KIT | |
| 016 | 0501.220.525 | | | SEAL KIT | BRAKE CALIPER | |
| 017 | 0501.213.698 | | | REPAIR KIT | ADJUSTING KIT | |
| 018 | 0501.215.060 | | | PRESSURE PART | BEARING UNIT | |
| 019 | 0501.213.690 | | | ADJUSTING KIT | ADJUSTING KIT | |
| 051 | 0501.215.084 | | | BRAKE LINING KIT | BEARING UNIT | |
| 052 | 0501.319.947 | | | ASSEMBLY GREASE | ASSEMBLY GREASE | |
| | | | | Rear Axle Case & Shaft & Rear Drum | Steering- Axle-Brake | 0404 |

0404

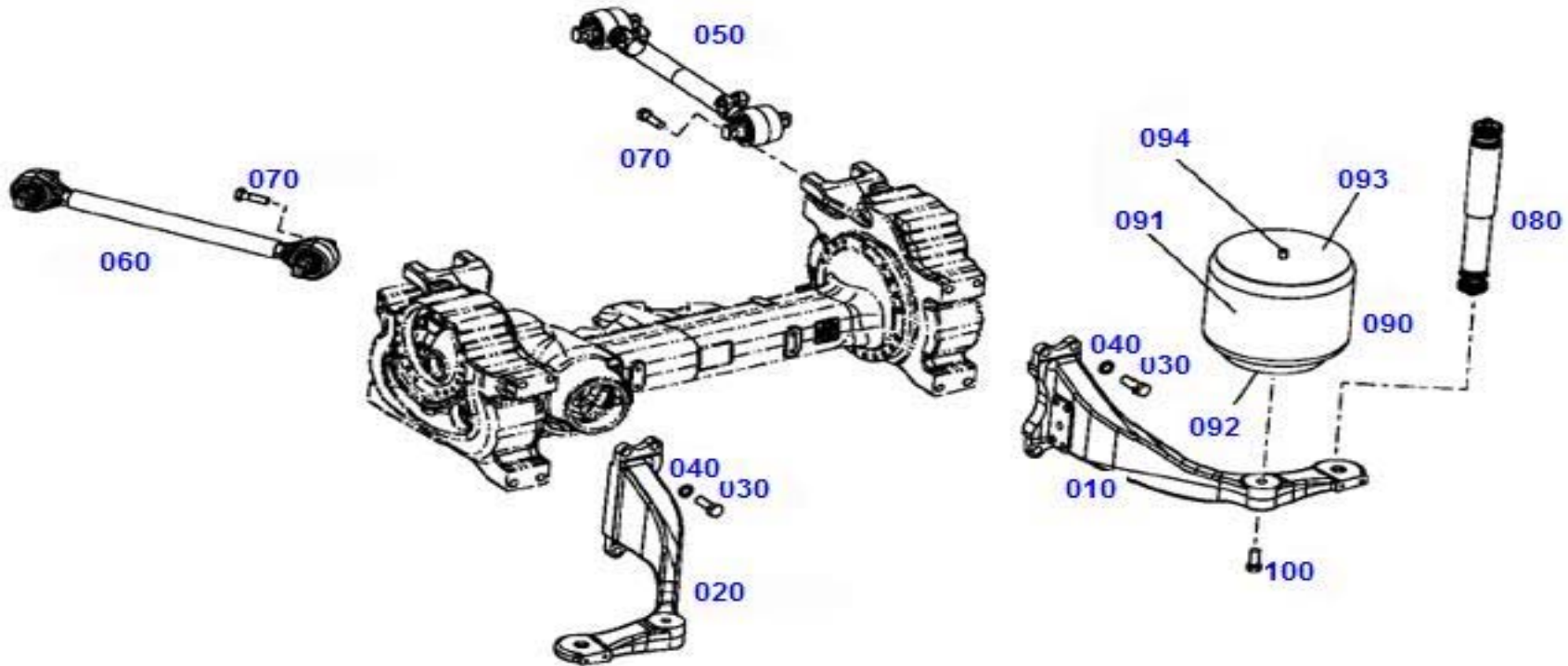
Steering- Axle-Brake

Rear Axle Case & Shaft & Rear Drum



Picture No: ZF4472040225-005

| POZ | Part No | N.S.N | Code | Part Name (Türkçe) | Part Name (English) | Quantity |
|---|--------------|-------|------|---|---------------------|-------------|
| | | | | <i>Rear Axle Case & Shaft & Rear Drum</i> | | |
| 020 | 0736.300.551 | | | HEXAGON SCREW | CAP SCREW | |
| 030 | 0736.300.546 | | | FIT BOLT | CAP SCREW | |
| 040 | 0501.316.050 | | | BRAKE CYLINDER | BRAKE CYLINDER | |
| 050 | 0737.300.087 | | | HEXAGON NUT | HEXAGON NUT | |
| Rear Axle Case & Shaft & Rear Drum | | | | Steering- Axle-Brake | | 0404 |

0404**Steering- Axle-Brake****Rear Axle Case & Shaft & Rear Drum**

Picture No: ZF4472040225-006



| POZ | Part No | N.S.N | Code | Part Name (Türkçe) | Part Name (English) | Quantity |
|-----|--------------|-------|------|---|---------------------|----------|
| | | | | <i>Rear Axle Case & Shaft & Rear Drum</i> | | |
| 010 | 4472.336.272 | | | SPRING CARRIER | AXLESUPPORT | |
| 020 | 4472.336.273 | | | SPRING CARRIER | AXLESUPPORT | |
| 030 | 0636.021.257 | | | HEXAGON SCREW | HEXAGON SCREW | |
| 040 | 0730.100.365 | | | WASHER | WASHER | |
| 050 | 0501.317.843 | | | TRAILING LINK | BUSH | |
| 060 | 0501.317.844 | | | TRAILING LINK | BUSH | |
| 070 | 0636.020.253 | | | HEXAGON SCREW | HEXAGON SCREW | |
| 080 | 0501.327.469 | | | SHOCK ABSORBER | BREATHER | |
| 090 | 0750.190.053 | | | PNEUMATIC SPRING | PNEUMATIC SPRING | |
| 090 | 0501.215.444 | | | PNEUMATIC SPRING | BEARING UNIT | |
| 091 | 0501.323.798 | | | AIR SPRING BELLOWS | AIR SPRING BELLOWS | |
| 092 | 0501.323.799 | | | PISTON | AIR SPRING BELLOWS | |
| 093 | 0501.323.842 | | | PLATE | AIR SPRING BELLOWS | |
| 094 | 0501.323.843 | | | BUFFER | AIR SPRING BELLOWS | |
| 100 | 0636.021.023 | | | HEXAGON SCREW | HEXAGON SCREW | |

Rear Axle Case & Shaft & Rear Drum

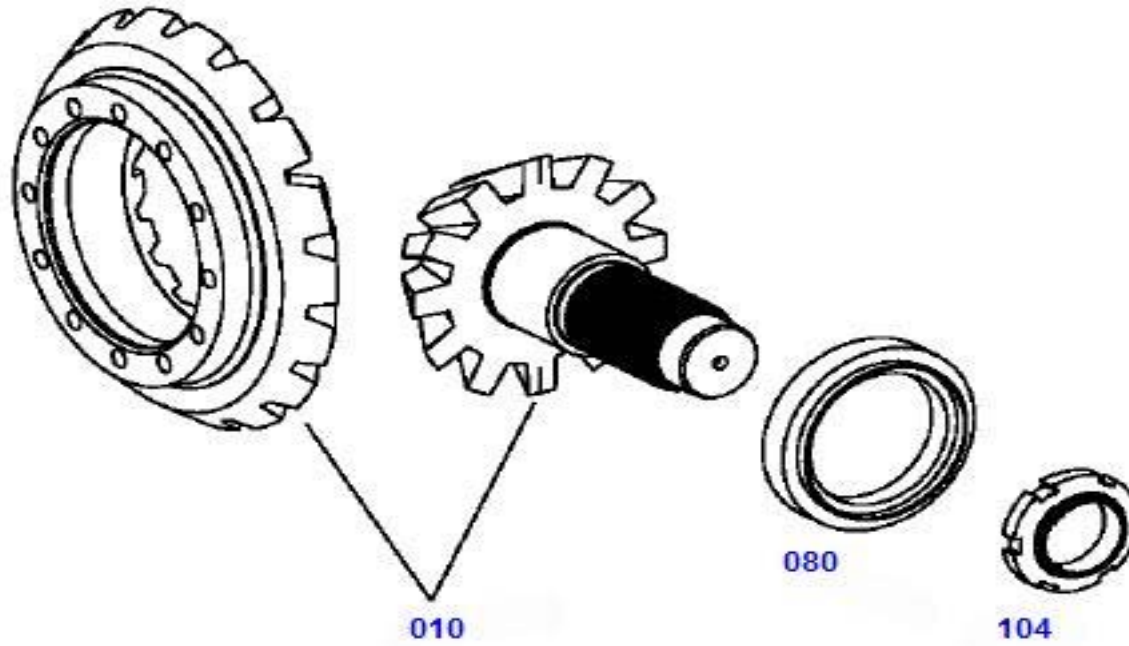
Steering- Axle-Brake

0404

0404

Steering- Axle-Brake

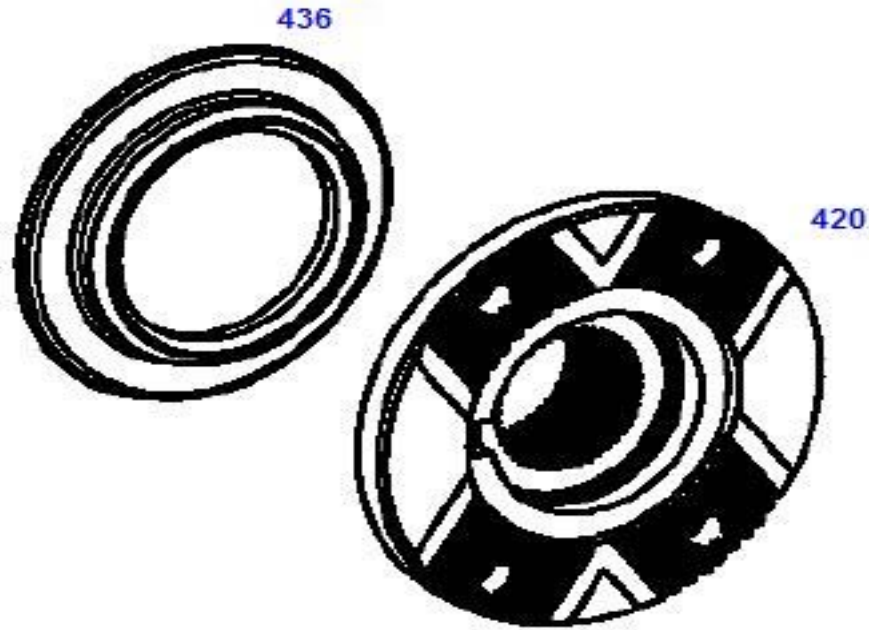
Rear Axle Case & Shaft & Rear Drum



Picture No: ZF4472040225-007



| POZ | Part No | N.S.N | Code | Part Name (Türkçe) | Part Name (English) | Quantity |
|---|--------------|-------|------|---|---------------------|-------------|
| | | | | <i>Rear Axle Case & Shaft & Rear Drum</i> | | |
| 010 | 4460.205.130 | | | BEVEL GEAR SET | BEVEL GEAR SET | |
| 080 | 0734.319.589 | | | SHAFT SEAL | CASSETTE RING | |
| 104 | 0737.300.072 | | | SLOTTED NUT | HEXAGON NUT | |
| Rear Axle Case & Shaft & Rear Drum | | | | Steering- Axle-Brake | | 0404 |

0404**Steering- Axle-Brake****Rear Axle Case & Shaft & Rear Drum**

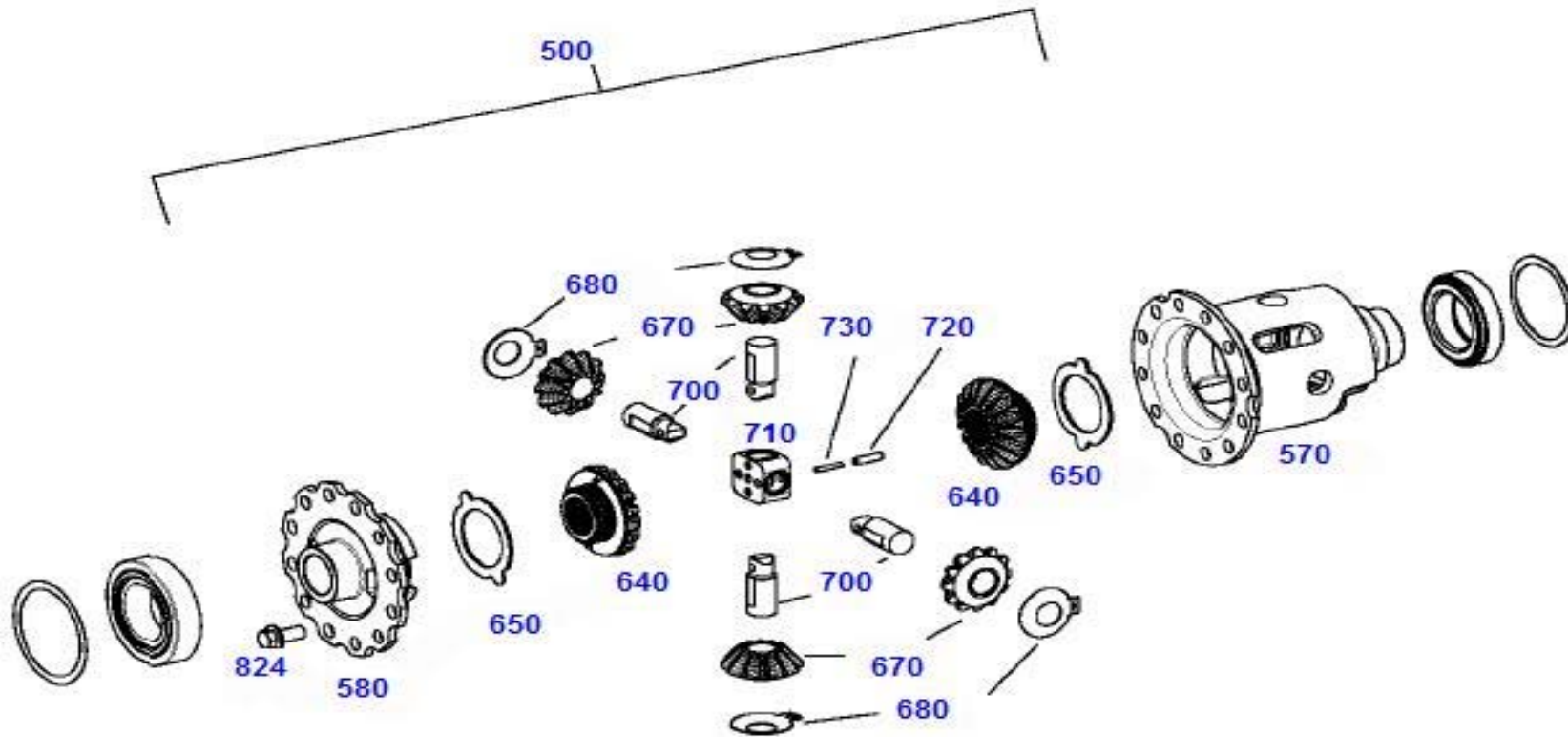
Picture No: ZF4472040225-008

| POZ | Part No | N.S.N | Code | Part Name (Türkçe) | Part Name (English) | Quantity |
|---|--------------|-------|------|---|---------------------|-------------|
| | | | | <i>Rear Axle Case & Shaft & Rear Drum</i> | | |
| 420 | 4460.305.682 | | | INPUTFLANGE | INPUTFLANGE | |
| 436 | 4460.311.206 | | | SCREEN SHEET | SCREEN SHEET | |
| Rear Axle Case & Shaft & Rear Drum | | | | Steering- Axle-Brake | | 0404 |

0404

Steering- Axle-Brake

Rear Axle Case & Shaft & Rear Drum



Picture No: ZF4472040225-009

| POZ | Part No | N.S.N | Code | Part Name (Türkçe) | Part Name (English) | Quantity |
|-----|--------------|-------|------|---|-------------------------|----------|
| | | | | <i>Rear Axle Case & Shaft & Rear Drum</i> | | |
| 500 | 4472.203.006 | | | DIFFERENTIAL | DIFFERENTIAL | |
| 570 | 4461.301.167 | | | DIFFCASE | CROSSJOINT | |
| 580 | 4461.301.168 | | | DIFFCOVER | CROSSJOINT | |
| 640 | 0501.328.366 | | | AXLE BEVEL GEAR | AXLE BEVEL GEAR | |
| 650 | 0730.300.820 | | | THRUSTWASHER | THRUST WASHER | |
| 670 | 0501.326.527 | | | DIFFERENTIAL BEVEL GEAR | DIFFERENTIAL BEVEL GEAR | |
| 680 | 0730.300.924 | | | THRUST WASHER | THRUST WASHER | |
| 700 | 4461.301.105 | | | DIFFSHAFT | CROSSJOINT | |
| 710 | 4461.301.159 | | | CROSSJOINT | CROSSJOINT | |
| 720 | 0501.321.360 | | | SLOTTED PIN | ANGLE DISC | |
| 730 | 0631.328.676 | | | SLOTTED PIN | SLOTTED PIN | |
| 824 | 0750.108.012 | | | LOCKING SCREW | LOCKING SCREW | |

Rear Axle Case & Shaft & Rear Drum

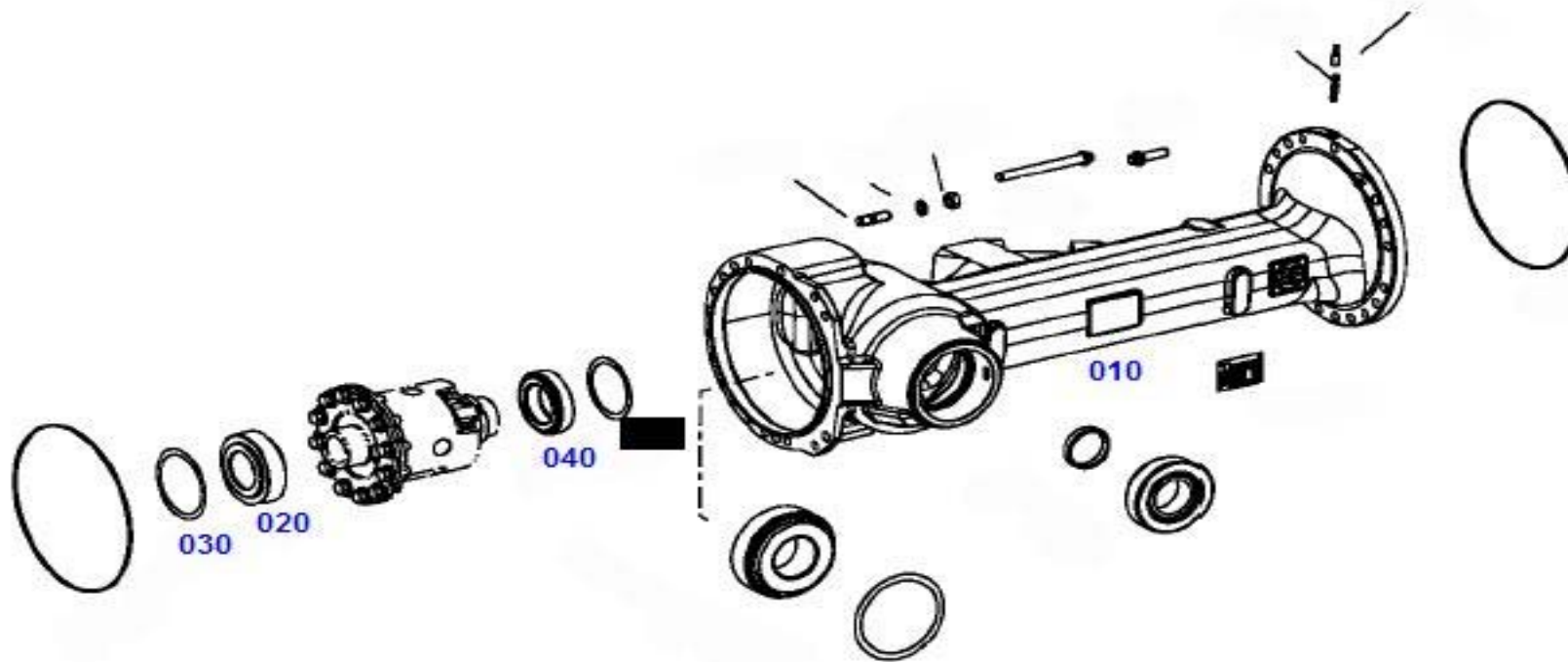
Steering- Axle-Brake

0404

0404

Steering- Axle-Brake

Rear Axle Case & Shaft & Rear Drum



Picture No: ZF4472040225-010

| POZ | Part No | N.S.N | Code | Part Name (Türkçe) | Part Name (English) | Quantity |
|-----|--------------|-------|------|---|----------------------|----------|
| | | | | <i>Rear Axle Case & Shaft & Rear Drum</i> | | |
| 010 | 4472.336.486 | | | AXLESUPPORT | AXLESUPPORT | |
| 020 | 0750.117.891 | | | TAPERED ROLLER BEARING | TAPER ROLLER BEARING | |
| 030 | 0730.107.934 | | | WASHER | SHIM | |
| 030 | 0730.107.935 | | | WASHER | SHIM | |
| 030 | 0730.107.936 | | | WASHER | SHIM | |
| 030 | 0730.107.937 | | | WASHER | SHIM | |
| 030 | 0730.107.938 | | | WASHER | SHIM | |
| 030 | 0730.107.939 | | | WASHER | SHIM | |
| 030 | 0730.107.940 | | | WASHER | SHIM | |
| 030 | 0730.107.941 | | | WASHER | SHIM | |
| 030 | 0730.107.942 | | | WASHER | SHIM | |
| 030 | 0730.107.943 | | | WASHER | SHIM | |
| 030 | 0730.107.944 | | | WASHER | SHIM | |
| 030 | 0730.107.945 | | | WASHER | SHIM | |
| 030 | 0730.107.946 | | | WASHER | SHIM | |
| 030 | 0730.107.947 | | | WASHER | SHIM | |
| 030 | 0730.107.948 | | | WASHER | SHIM | |
| 030 | 0730.107.949 | | | WASHER | SHIM | |
| 030 | 0730.107.950 | | | WASHER | SHIM | |
| 030 | 0730.107.951 | | | WASHER | SHIM | |
| 030 | 0730.107.952 | | | WASHER | SHIM | |
| 030 | 0730.107.953 | | | WASHER | SHIM | |
| 030 | 0730.107.954 | | | WASHER | SHIM | |
| 030 | 0730.107.955 | | | WASHER | SHIM | |
| 030 | 0730.107.956 | | | WASHER | SHIM | |
| 030 | 0730.107.957 | | | WASHER | SHIM | |
| 030 | 0730.107.958 | | | WASHER | SHIM | |
| 030 | 0730.107.959 | | | WASHER | SHIM | |

Rear Axle Case & Shaft & Rear Drum

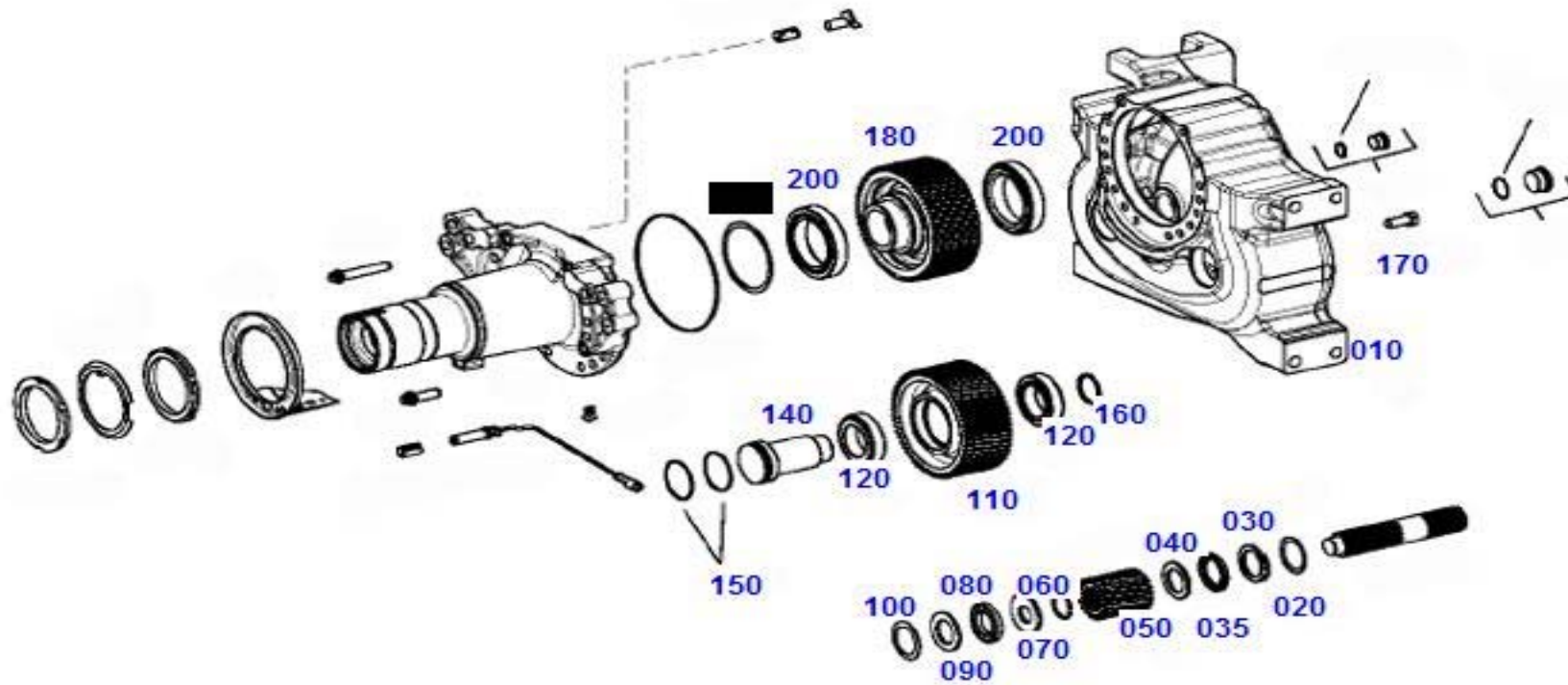
Steering- Axle-Brake

0404

0404

Steering- Axle-Brake

Rear Axle Case & Shaft & Rear Drum



Picture No: ZF4472040225-011



| POZ | Part No | N.S.N | Code | Part Name (Türkçe) | Part Name (English) | Quantity |
|-----|--------------|-------|------|---|----------------------|----------|
| | | | | <i>Rear Axle Case & Shaft & Rear Drum</i> | | |
| 010 | 4472.336.347 | | | GANTRY HOUSING | AXLESUPPORT | |
| 020 | 0750.106.080 | | | CUP SPRING | CUP SPRING | |
| 030 | 0750.101.175 | | | WASHER | SHAFT WASHER | |
| 035 | 0750.115.559 | | | AXIAL ROLLER RING | AXIAL ROLLER RING | |
| 040 | 0750.101.174 | | | SHAFT WASHER | SHAFT WASHER | |
| 050 | 4472.335.647 | | | INPUT GEAR | BEARING PIN | |
| 060 | 0630.532.159 | | | RETAINING RING | RETAINING RING | |
| 070 | 4472.335.681 | | | SHAFT WASHER | BEARING PIN | |
| 080 | 0750.115.555 | | | ROLLER CAGE | AXIAL ROLLER RING | |
| 090 | 0750.101.164 | | | WASHER | SHAFT WASHER | |
| 100 | 0750.106.083 | | | CUP SPRING | CUP SPRING | |
| 110 | 4472.335.325 | | | IDLER GEAR | BEARING PIN | |
| 120 | 0750.117.785 | | | TAPER ROLLER BEARING | TAPER ROLLER BEARING | |
| 140 | 4472.335.822 | | | BEARING PIN | BEARING PIN | |
| 150 | 0634.313.574 | | | O-RING | O-RING | |
| 160 | 0730.007.952 | | | SHIM | SHIM | |
| 160 | 0730.007.953 | | | SHIM | SHIM | |
| 160 | 0730.007.954 | | | SHIM | SHIM | |
| 160 | 0730.007.955 | | | SHIM | SHIM | |
| 160 | 0730.007.956 | | | SHIM | SHIM | |
| 160 | 0730.007.957 | | | SHIM | SHIM | |
| 160 | 0730.007.958 | | | SHIM | SHIM | |
| 160 | 0730.007.959 | | | SHIM | SHIM | |
| 160 | 0730.007.960 | | | SHIM | SHIM | |
| 160 | 0730.007.961 | | | SHIM | SHIM | |
| 160 | 0730.007.962 | | | SHIM | SHIM | |
| 160 | 0730.007.963 | | | SHIM | SHIM | |
| 160 | 0730.007.964 | | | SHIM | SHIM | |

Rear Axle Case & Shaft & Rear Drum

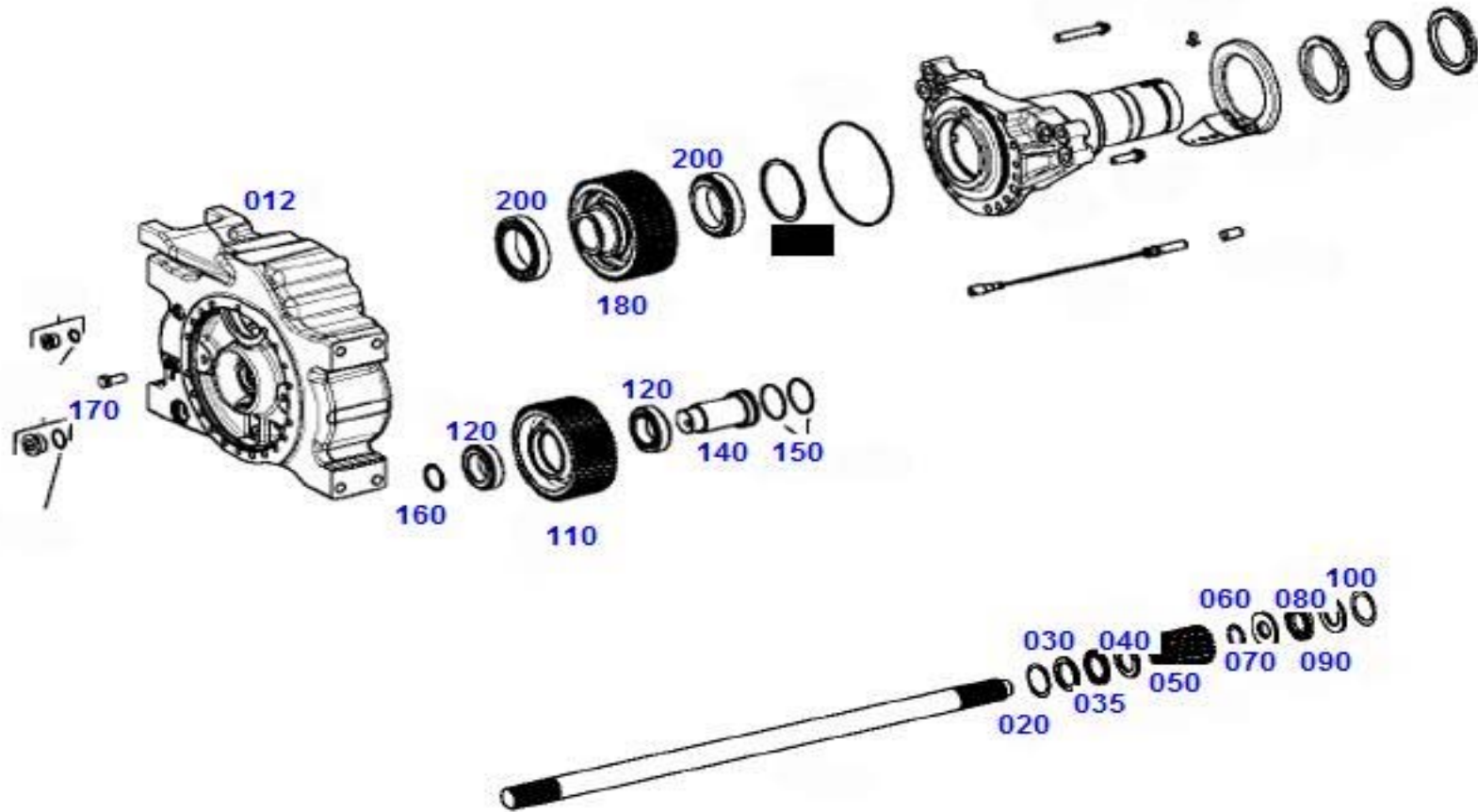
Steering- Axle-Brake

0404

0404

Steering- Axle-Brake

Rear Axle Case & Shaft & Rear Drum

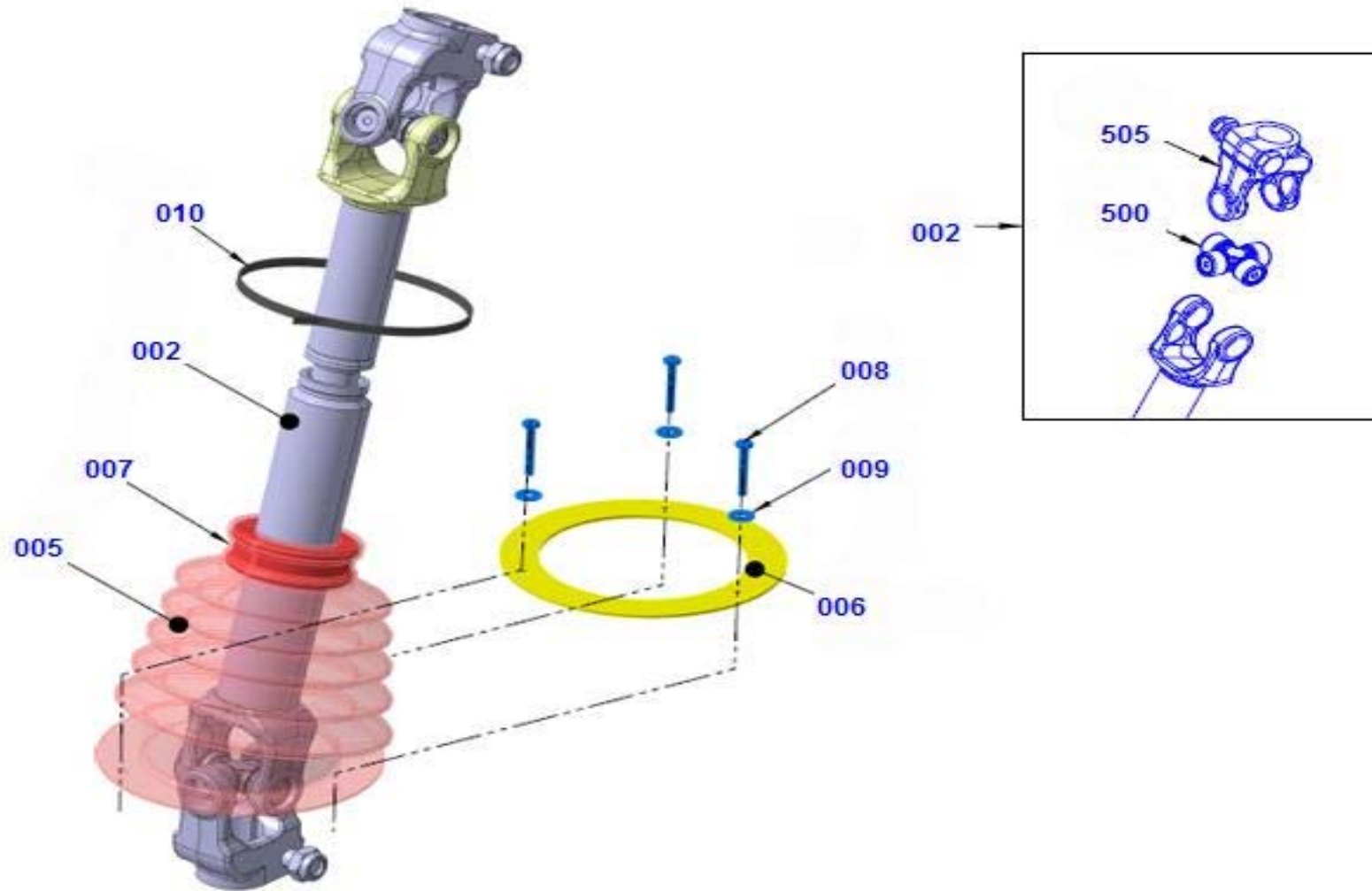


Picture No: ZF4472040225-012

0405

Steering- Axle-Brake

Steering Column & Shaft



Picture No: EPL344310100-00



| POZ | Part No | N.S.N | Code | Part Name (Türkçe) | Part Name (English) | Quantity |
|-----|--------------|-------|------|---|--|----------|
| | | | | <i>Steering Column & Shaft</i> | | |
| 002 | 387032953001 | | | DIREKSIYON KAYICI MILI | ROD, STEERING MECH | 1 |
| 005 | 387039768001 | | | GROMET, DIREKSIYON MILI | GROMMET, STEERING SHAFT | 1 |
| 006 | 387039769001 | | | TABAN SACI, GROMET, DIREKSIYON MILI | BASE PLATE, GROMMET, STEERING SHAFT | 1 |
| 007 | 387039770001 | | | POLYAMID, GROMET, DIREKSIYON MILI | POLYAMIDE, GROMMET, STEERING SHAFT | 2 |
| 008 | 300030430301 | | | CIVATA, AKB M4X0. 7X30, KALIN D. DIN931 | BOLT, HEX M4X0. 7X30, COARSE T. DIN931 | 3 |
| 009 | 301110004301 | | | RONDELA, DUZ D=4 DIN 9021 | WASHER, PLAIN D= 4 DIN 9021 | 3 |
| 010 | 377770506001 | | | PLASTIK KELEPCE L 350 MM | CLIP, PLASTIC | 1 |
| 500 | 387040271001 | | | ISTAVROZ KITI | SPIDER KIT | 1 |
| 505 | 387043084001 | | | KAYICI MIL, CATAL | SLIDING SHAFT | 1 |

Steering Column & Shaft

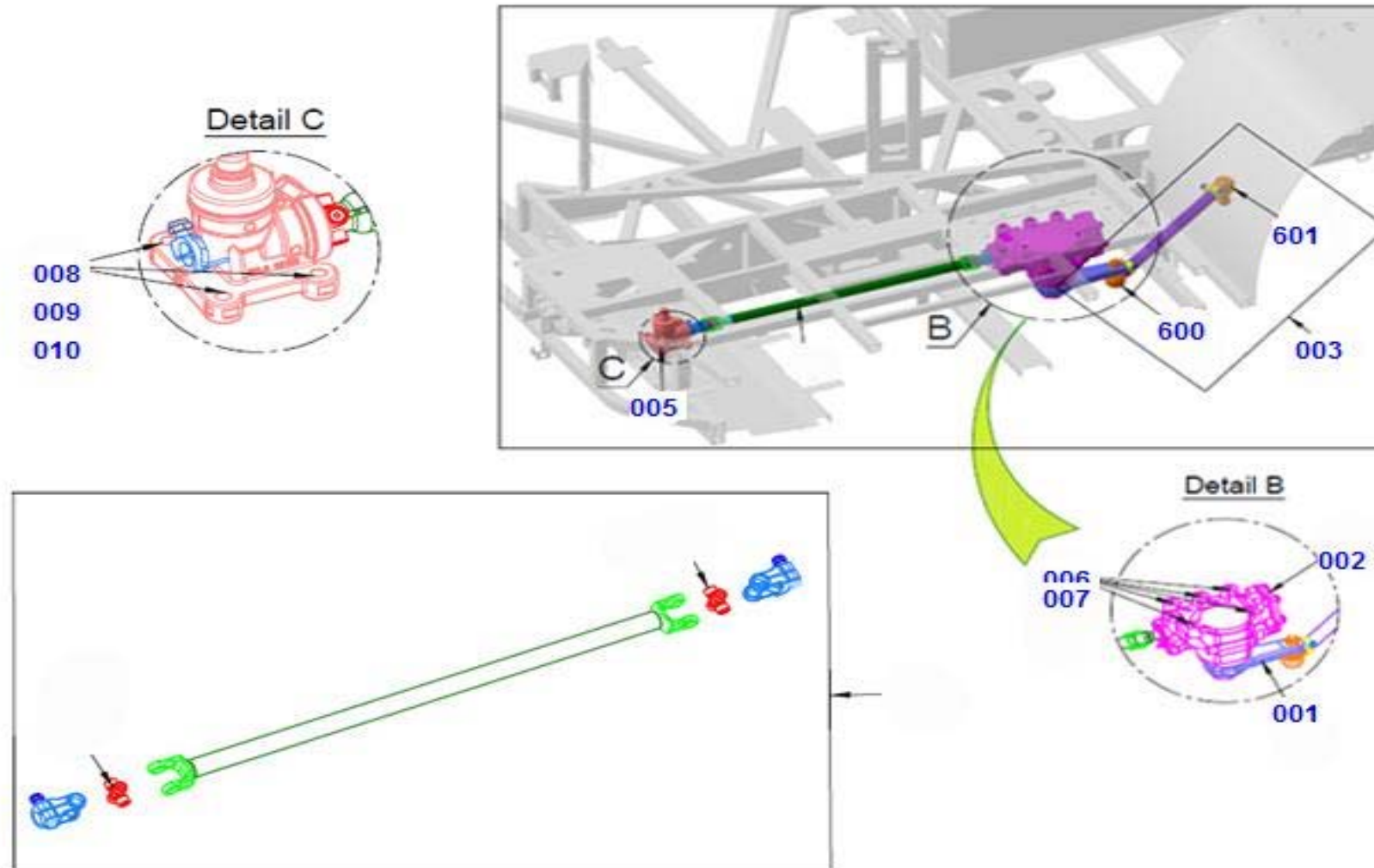
Steering- Axle-Brake

0405

0406

Steering- Axle-Brake

Steering Linkage



Picture No: EPL344330100-00

| POZ | Part No | N.S.N | Code | Part Name (Türkçe) | Part Name (English) | Quantity |
|-----|--------------|-------|------|---|---------------------------------------|----------|
| | | | | <i>Steering Linkage</i> | | |
| 001 | 387034134101 | | | PITMAN KOLU, 210 MM | PITMAN ARM | 1 |
| 002 | 387040118001 | | | DIREKSİYON KUTUSU | STEERING BOX | 1 |
| 003 | 387032956101 | | | ROT KOLU | ROD ARM | 1 |
| 005 | 387030340051 | | | DISLI KUTUSU, KONIK | GEAR BOX, BEVEL | 1 |
| 006 | 300062040401 | | | CIVATA, AKB M20X1. 5X40, INCE D. DIN961 | BOLT, HEX M20X1. 5X40, FINE T. DIN961 | 5 |
| 007 | 387039893001 | | | RONDELA, KILITLI M20 | WASHER | 5 |
| 008 | 387006179001 | | | CIVATA M12*1. 75*50 | BOLT, M12X1.75X50 | 4 |
| 009 | 300500012201 | | | SOMUN, AKB M12X1. 75, KALIN D. DIN934 | NUT, HEX M12X1. 75, COARSE T. DIN934 | 4 |
| 010 | 301000012401 | | | RONDELA | WASHER | 8 |
| 600 | 387038664001 | | | ROTBASI, SOL | ROD END, LEFT | 1 |
| 601 | 387038663001 | | | ROTBASI, SAG | ROD END, RIGHT | 1 |

Steering Linkage

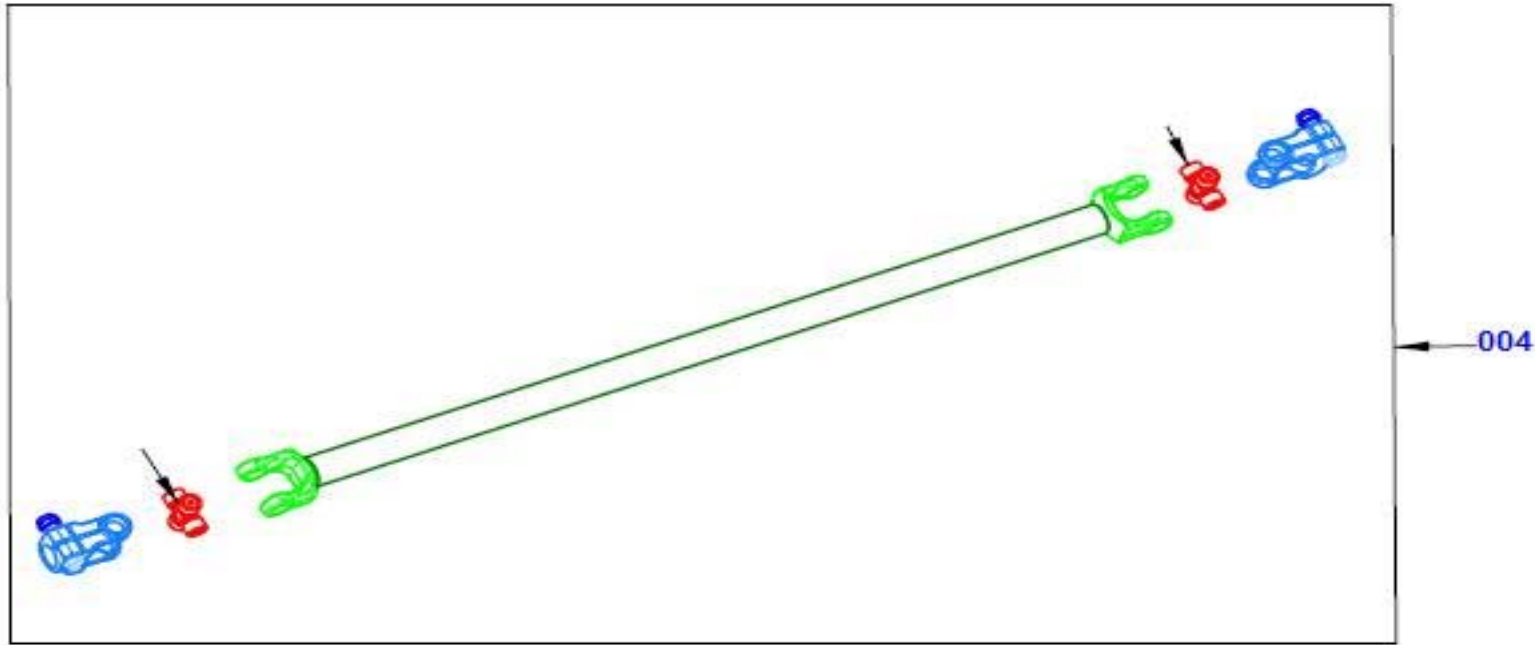
Steering- Axle-Brake

0406

0406

Steering- Axle-Brake

Steering Linkage



Picture No: EPL344330100-01

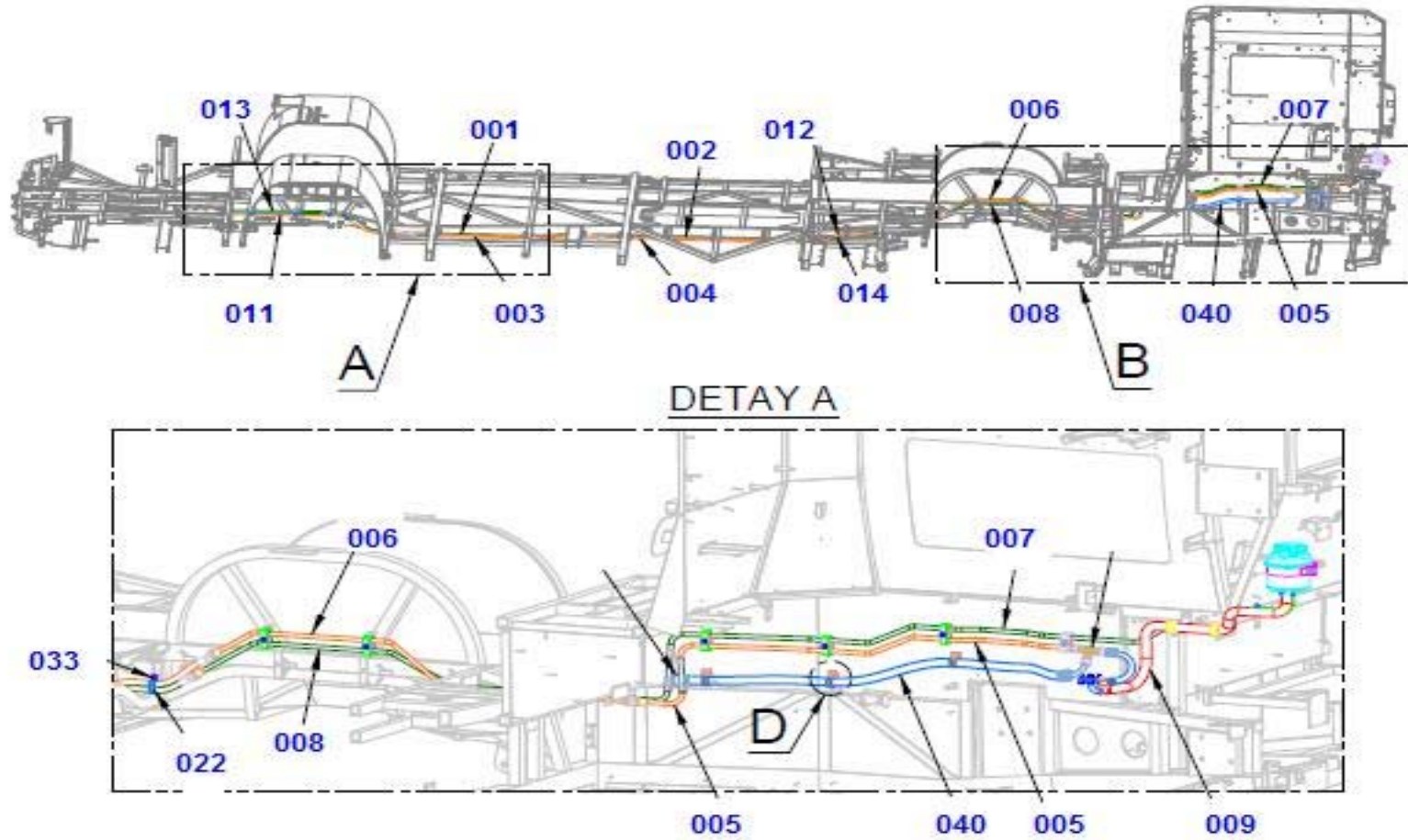


| POZ | Part No | N.S.N | Code | Part Name (Türkçe) | Part Name (English) | Quantity |
|------------------|--------------|-------|------|--|---------------------|----------|
| 004 | 387032952101 | | | <i>Steering Linkage</i> DIREKSIYON ALT MILI | ROD, STEERING MECH | 1 |
| Steering Linkage | | | | Steering- Axle-Brake | | 0406 |

0407

Steering- Axle-Brake

Power Steering Control System (Chassis Side)



Picture No: EPL344350100-00



| POZ | Part No | N.S.N | Code | Part Name (Türkçe) | Part Name (English) | Quantity |
|-----|--------------|-------|------|---|--------------------------------------|----------|
| | | | | <i>Power Steering Control System (Chassis Side)</i> | | |
| 001 | 387034413101 | | | BORU, DIREKSIYON 01 | PIPE, STEERING 01 | 1 |
| 002 | 387034414101 | | | BORU, DIREKSIYON 02 | PIPE, STEERING 02 | 1 |
| 003 | 387038672001 | | | BORU, DIREKSIYON 03 | PIPE, STEERING 03 | 1 |
| 004 | 387038673001 | | | BORU, DIREKSIYON 04 | PIPE, STEERING 04 | 1 |
| 005 | 387038774101 | | | BORU, DIREKSIYON BASINC 01 | PIPE, STEERING PRESSURE 01 | 1 |
| 006 | 387038679001 | | | BORU, DIREKSIYON BASINC 02 | PIPE, STEERING PRESSURE 02 | 1 |
| 007 | 387038775001 | | | BORU, DIREKSIYON DONUS 01 | PIPE, STEERING RETURN 01 | 1 |
| 008 | 387038680001 | | | BORU, DIREKSIYON DONUS 02 | PIPE, STEERING RETURN 02 | 1 |
| 009 | 387035835301 | | | HORTUM, DIR. POMPA DONUS | HOSE, STEERING PUMP RETURN | 1 |
| 011 | 387034410101 | | | HORTUM, DIREKSIYON BASINC 01 | HOSE, STEERING PRESSURE 01 | 1 |
| 012 | 387038676101 | | | HORTUM, DIREKSIYON BASINC 02 | HOSE, STEERING PRESSURE 02 | 1 |
| 013 | 387034408101 | | | HORTUM, DIREKSIYON DONUS 01 | HOSE, STEERING RETURN 01 | 1 |
| 014 | 387038678101 | | | HORTUM, DIREKSIYON DONUS 02 | HOSE, STEERING RETURN 02 | 1 |
| 022 | 897359144001 | | | KLIPS, SU HORTUMU, PANEL ALT | CLIP, WATER HOSE, DASH LWR | 10 |
| 033 | 300120640601 | | | CIVATA, FLN M6X1X40, KALIN D. DIN6921 | BOLT, FLN M6X1X40, COARSE T. DIN6921 | 3 |
| 040 | 387042340101 | | | HORTUM, DIREKSIYON BASINC | HOSE, STEERING PRESSURE | 1 |

Power Steering Control System (Chassis Side)

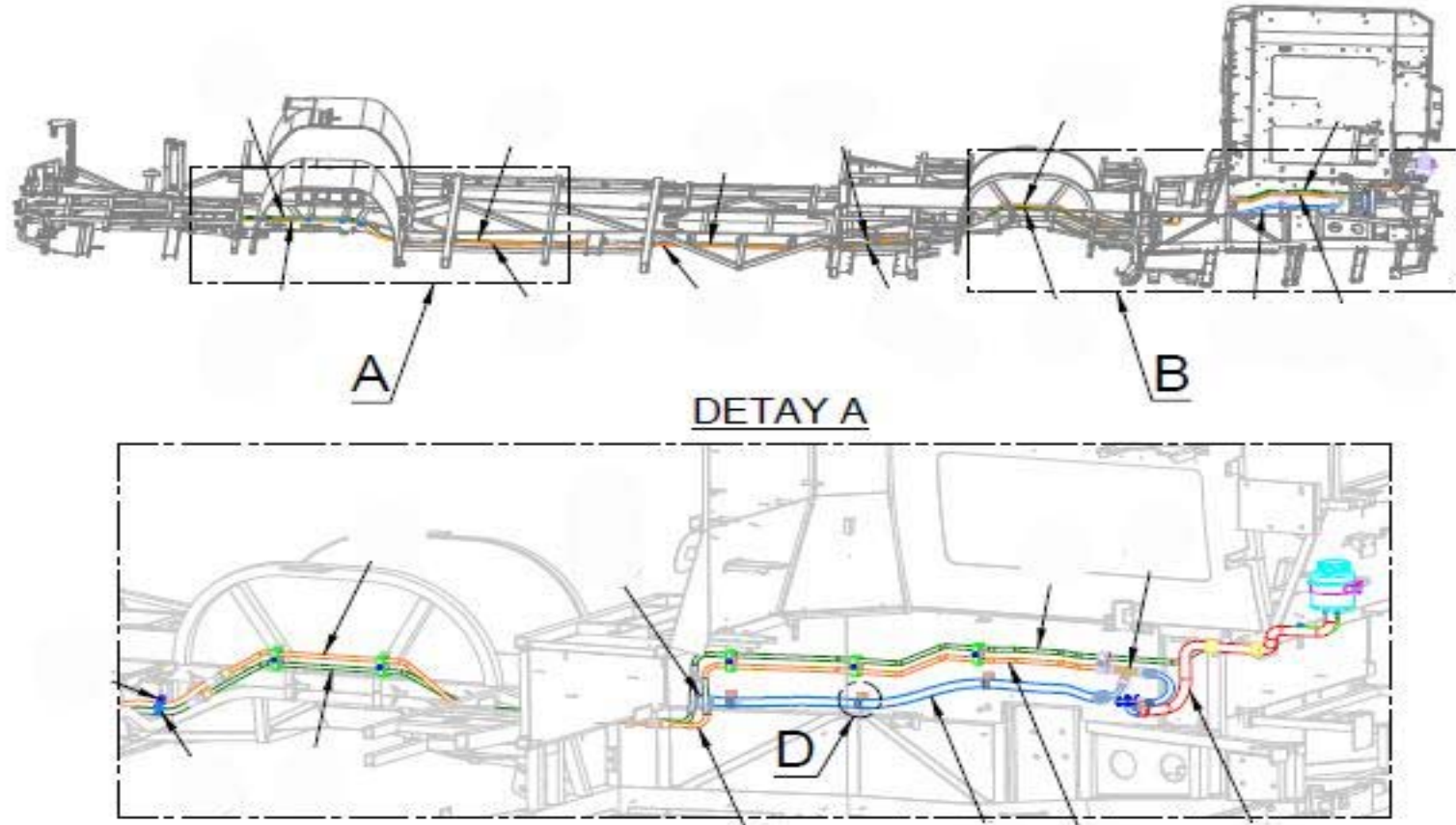
Steering- Axle-Brake

0407

0407

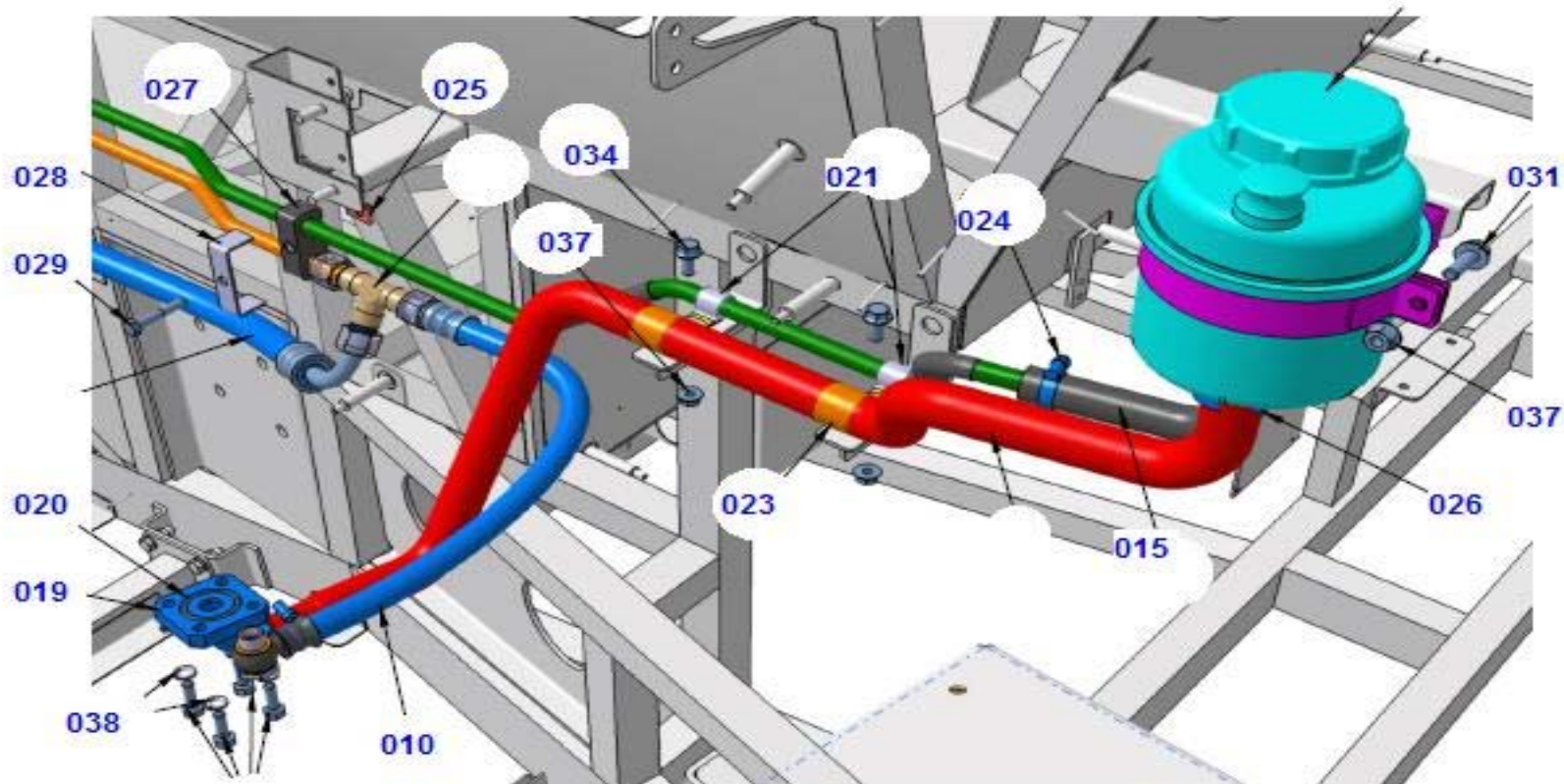
Steering- Axle-Brake

Power Steering Control System (Chassis Side)



Picture No: EPL344350100-01

| POZ | Part No | N.S.N | Code | Part Name (Türkçe) | Part Name (English) | Quantity |
|-----|--------------|-------|------|---|--------------------------------------|-------------|
| | | | | <i>Power Steering Control System (Chassis Side)</i> | | |
| 018 | 387020649101 | | | ADAPTOR, BORU 12x15 | PIPE, STEERING BOX, PRESSURE 1 | 4 |
| 030 | 300120616601 | | | CIVATA, FLN M6X1X16, KALIN D. DIN6921 | BOLT, FLN M6X1X16, COARSE T. DIN6921 | 9 |
| 041 | 387017580001 | | | KELEPCE, Ø28 | CLAMP, Ø28 | 3 |
| | | | | Power Steering Control System (Chassis Side) | Steering- Axle-Brake | 0407 |

0407**Steering- Axle-Brake****Power Steering Control System (Chassis Side)**

Picture No: EPL344350200-00

| POZ | Part No | N.S.N | Code | Part Name (Türkçe) | Part Name (English) | Quantity |
|-----|--------------|-------|------|---|---|----------|
| | | | | <i>Power Steering Control System (Chassis Side)</i> | | |
| 010 | 387042821001 | | | HORTUM, DIREKSIYON POMPA BASINC | HOSE, STEERING PRESSURE | 1 |
| 015 | 387020725001 | | | HORTUM, DIR. TANKI GIRIS | PIPE, STEERING BOX, PRESSURE 1 | 1 |
| 019 | 387033535001 | | | ADAPTOR, DIREKSIYON POMPA EMIS | PIPE, STEERING BOX, PRESSURE 1 | 1 |
| 020 | 387033553001 | | | O-RING, DIREKSIYON POMPA GIRIS | PIPE, STEERING BOX, PRESSURE 1 | 1 |
| 021 | 909525556001 | | | KLIPS, 16_(9x12) | CLIP | 2 |
| 023 | 109700969001 | | | KLIPS, SASE ENSTELASYON | CLIP, FRAME HAR, L | 2 |
| 024 | 305352032801 | | | KELEPCE, VIDALI B9, Ø20-32, DIN3017 | CLAMP, W/BOLT B9, Ø20-32, DIN3017 | 3 |
| 025 | 387038681001 | | | KLIPS, VIDALI M8 | CLIP | 7 |
| 026 | 305352540801 | | | KELEPCE, VIDALI B9, Ø25-40, DIN3017 | CLAMP, W/BOLT B9, Ø25-40, DIN3017 | 1 |
| 027 | 387020639101 | | | GROMET, DIR. BORU | GROMMET STEERING PIPE | 14 |
| 028 | 387020641101 | | | BRAKET, GROMET | BRACKET, GROMMET | 14 |
| 029 | 300030845201 | | | CIVATA, AKB M8X1. 25X45, KALIN D. DIN931 | BOLT, HEX M8X1. 25X45, COARSE T. DIN931 | 14 |
| 031 | 300120825601 | | | CIVATA, FLN M8X1. 25X25, KALIN D. DIN6921 | BOLT, FLN M8X1. 25X25, COARSE T. DIN6921 | 1 |
| 034 | 300120820601 | | | CIVATA, FLN M8X1. 25X20, KALIN D. DIN6921 | BOLT, FLN M8X1. 25X20, COARSE T. DIN6921 | 2 |
| 037 | 300580008601 | | | SOMUN, FLN&TR M8X1. 25, KALIN D. DIN 6923 | NUT, FLN&SRTD M8X1. 25, COARSE T. DIN 692 | 3 |
| 038 | 301010008601 | | | RONDELA, YAYLI D=8 DIN 127 | WASHER, SPRING D= 8 DIN 127 | 4 |

Power Steering Control System (Chassis Side)

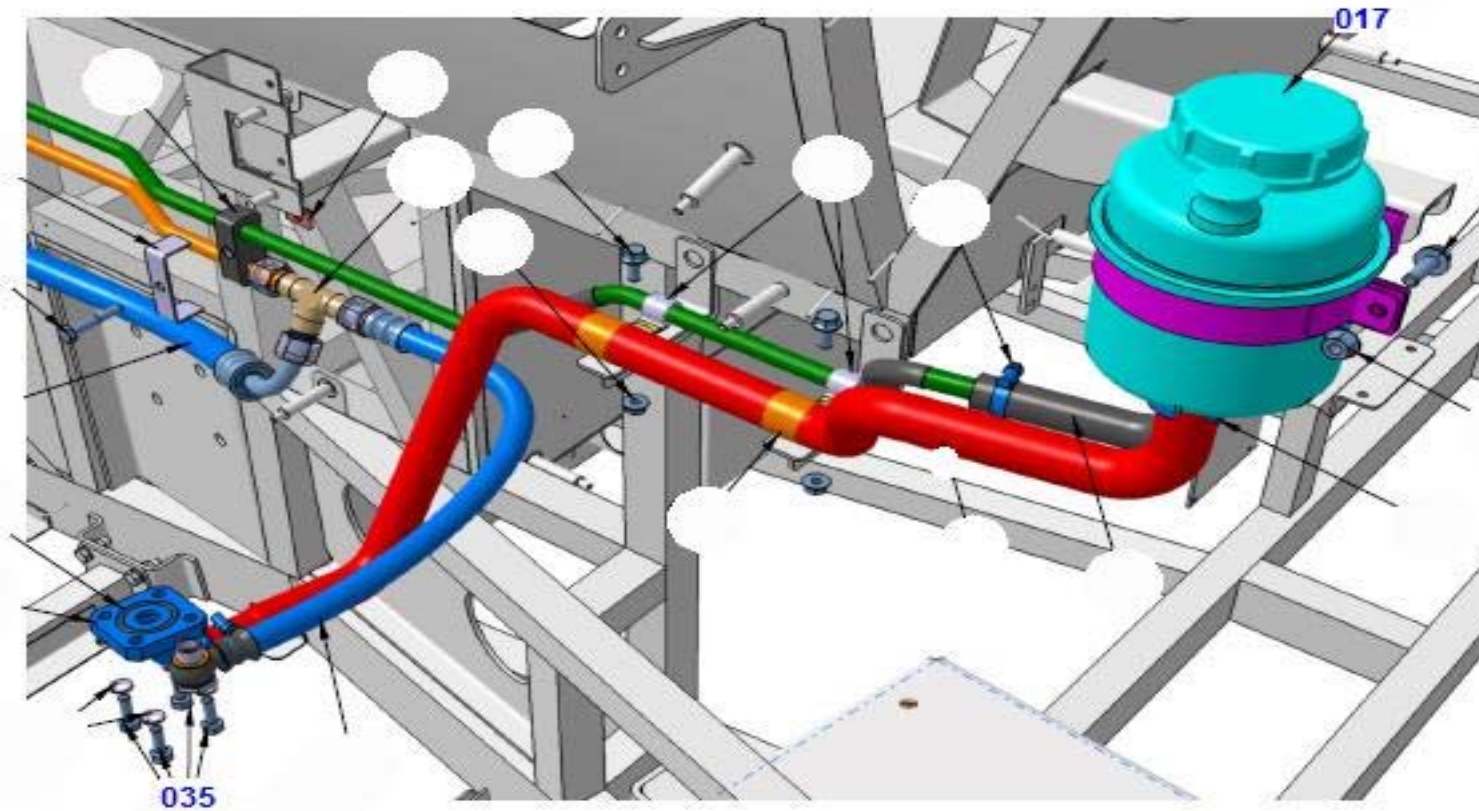
Steering- Axle-Brake

0407

0407

Steering- Axle-Brake

Power Steering Control System (Chassis Side)



Picture No: EPL344350200-01



| POZ | Part No | N.S.N | Code | Part Name (Türkçe) | Part Name (English) | Quantity |
|-----|--------------|-------|------|---|--|----------|
| | | | | <i>Power Steering Control System (Chassis Side)</i> | | |
| 002 | 387007003001 | | | KAPAK, HID. DEPO DIR. | COVER, TANK, HYD. WHEEL | 1 |
| 005 | 387007004001 | | | FILTRE, DIR. YAG DEP. | STRAINER, OIL TANK | 1 |
| 008 | 387007005001 | | | SEVIYE CUBUGU | DIPSTICK | 1 |
| 016 | 387037309001 | | | CEMBER KOMP, DIR. YAG TANKI | BRACKET ASY. STEERING WHEEL OIL SUMP | 1 |
| 017 | 387003056001 | | | TANK, DIREKSIYON YAG | TANK, OIL, HYD STEERING | 1 |
| 032 | 300120816601 | | | CIVATA, FLN M8X1. 25X16, KALIN D. DIN6921 | BOLT, FLN M8X1. 25X16, COARSE T. DIN6921 | 2 |
| 035 | 300010825601 | | | CIVATA, AKB M8X1. 25X30, KALIN D. DIN933 | BOLT, HEX M8X1. 25X25, COARSE T. DIN933 | 4 |

Power Steering Control System (Chassis Side)

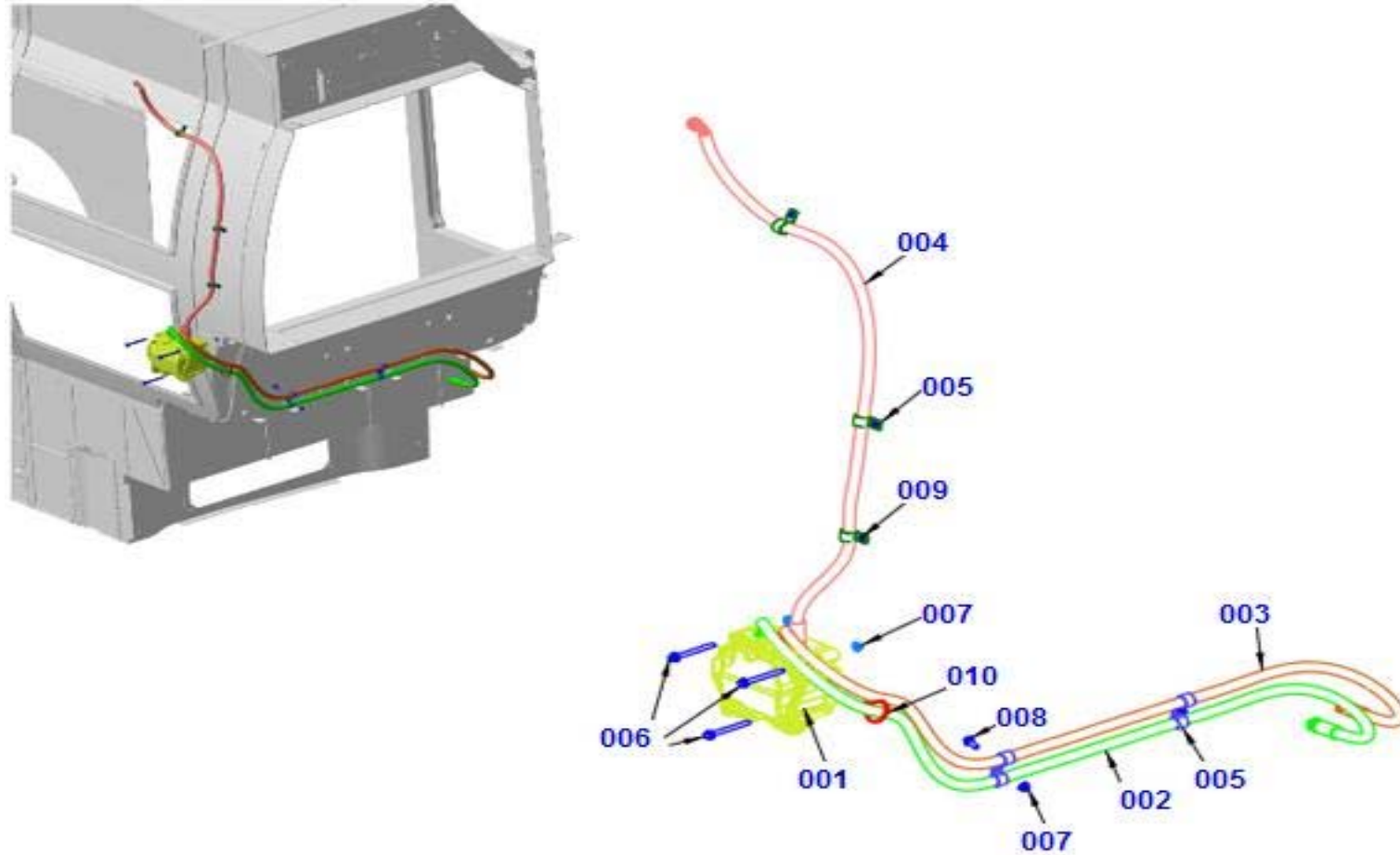
Steering- Axle-Brake

0407

0408

Steering- Axle-Brake

Power Steering System



Picture No: EPLB3544001-00

| POZ | Part No | N.S.N | Code | Part Name (Türkçe) | Part Name (English) | Quantity |
|-----|--------------|-------|------|---|---|----------|
| | | | | <i>Power Steering System</i> | | |
| 001 | 387038630051 | | | POMPA DOZAJLAMA, URE | DOSER (DOSING PUMP, UREA) | 1 |
| 002 | 387035674001 | | | URE HATTI, GIDIS | UREA LINE, INLET | 1 |
| 003 | 387035675001 | | | URE HATTI, DONUS | UREA LINE, RETURN | 1 |
| 004 | 387035676001 | | | URE HATTI, BASINC | UREA LINE, PRESSURE | 1 |
| 005 | 387014152001 | | | SAC KLIPS | CLIP, METAL SHEET | 7 |
| 006 | 300120885601 | | | CIVATA, FLN M8X1. 25X85, KALIN D. DIN6921 | BOLT, FLN M8X1. 25X85, COARSE T. DIN6921 | 3 |
| 007 | 300580008601 | | | SOMUN, FLN&TR M8X1. 25, KALIN D. DIN 6923 | NUT, FLN&SRTD M8X1. 25, COARSE T. DIN 692 | 5 |
| 008 | 300120820601 | | | CIVATA, FLN M8X1. 25X20, KALIN D. DIN6921 | BOLT, FLN M8X1. 25X20, COARSE T. DIN6921 | 2 |
| 009 | 300580006201 | | | SOMUN, FLN&TR M6X1, KALIN D. DIN6923 | NUT, FLN&SRTD M6X1, COARSE T. DIN6923 | 3 |
| 010 | 387003556001 | | | KLIPS, TOKALI | CLIP | 1 |

Power Steering System

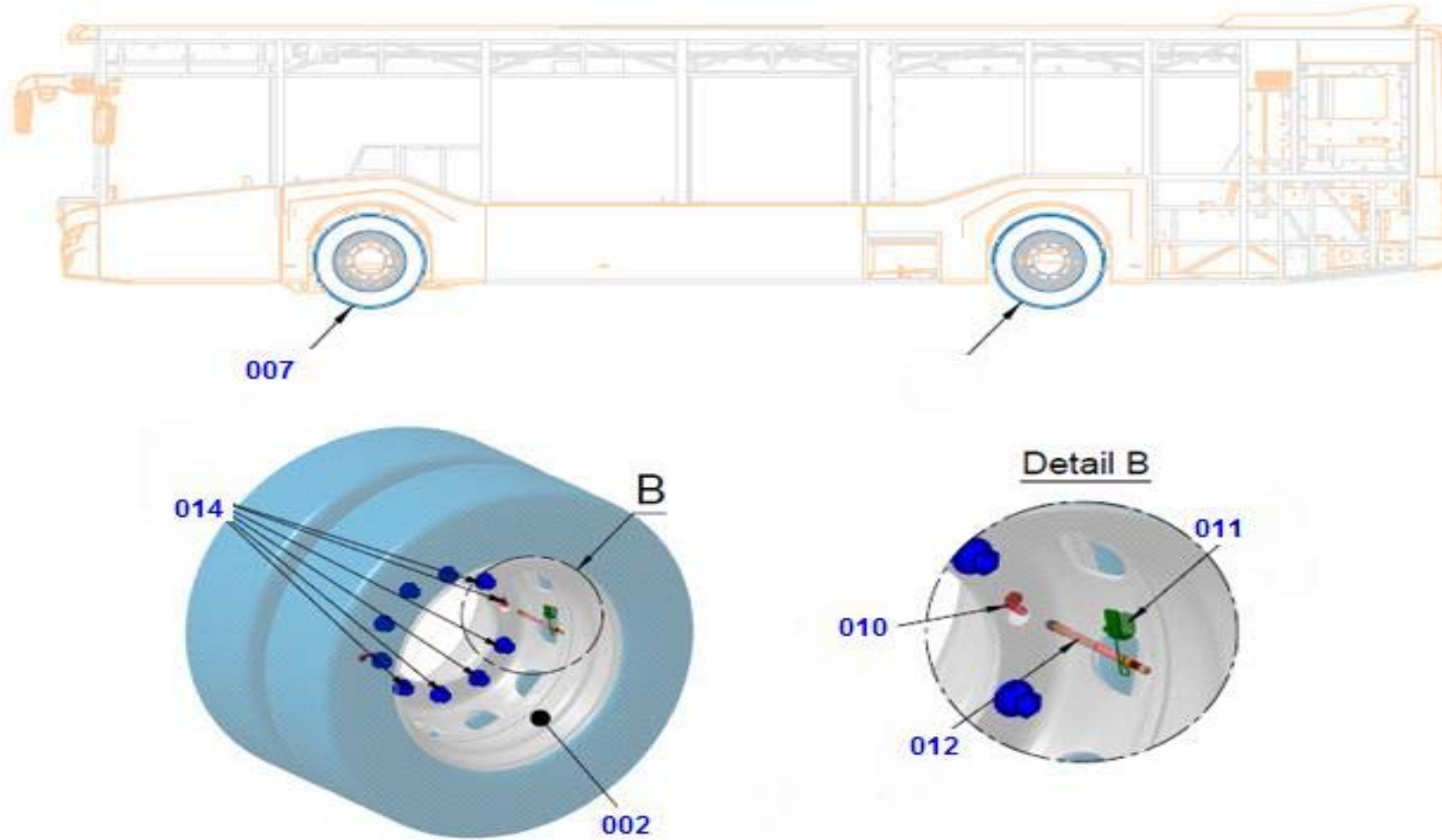
Steering- Axle-Brake

0408

0409

Steering- Axle-Brake

Road Wheel



Picture No: EPL344800100-00



| POZ | Part No | N.S.N | Code | Part Name (Türkçe) | Part Name (English) | Quantity |
|-----|--------------|-------|------|--|-------------------------------|----------|
| | | | | <i>Road Wheel</i> | | |
| 002 | 387034578001 | | | JANT KMP, 22. 5x8. 25-165 | HUDCAP, 22. 5x8. 25-165 | 1 |
| 007 | 387034575001 | | | LASTIK, TUBELESS, 275/70 R22. 5, ENERGIA | TIRE, TUBELESS, 275/70 R22. 5 | 1 |
| 007 | 387050274001 | | | LASTIK KOMPLE, 275/70 R22, 5 | TYRE KIT, 275/70 R22, 5 | 5 |
| 010 | 387009936001 | | | SUBAP V3. 22. 1 | VALVE V3. 22. 1 | 1 |
| 011 | 387035319001 | | | KLIPS, SUBAP HORTUMU | CLIP, VALVE HOSE | 2 |
| 012 | 387035320051 | | | HORTUM KOMPLESI, SUBAP, 180MM | HOSE, VALVE | 2 |
| 014 | 387034425001 | | | SOMUN, BIJON M22X1. 5 DIN 74361 | NUT, WHEEL M22X1. 5 DIN 74361 | 40 |

Road Wheel

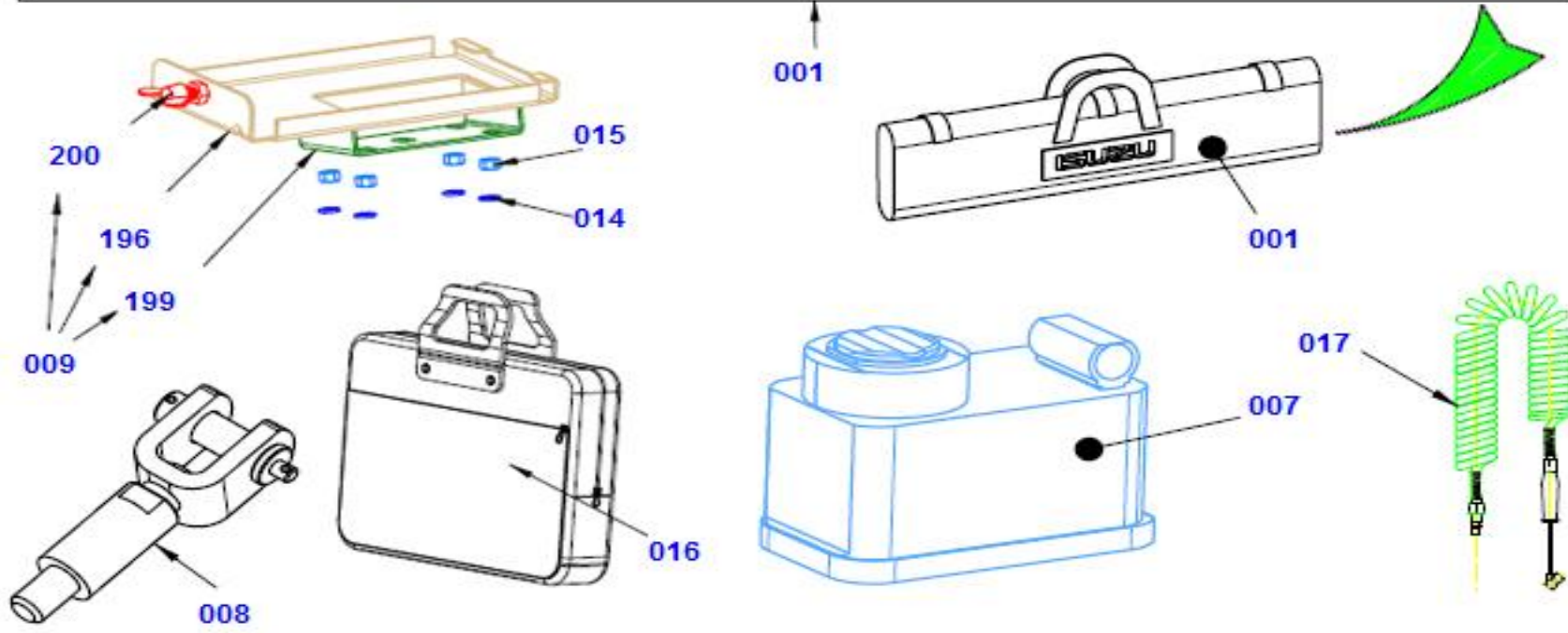
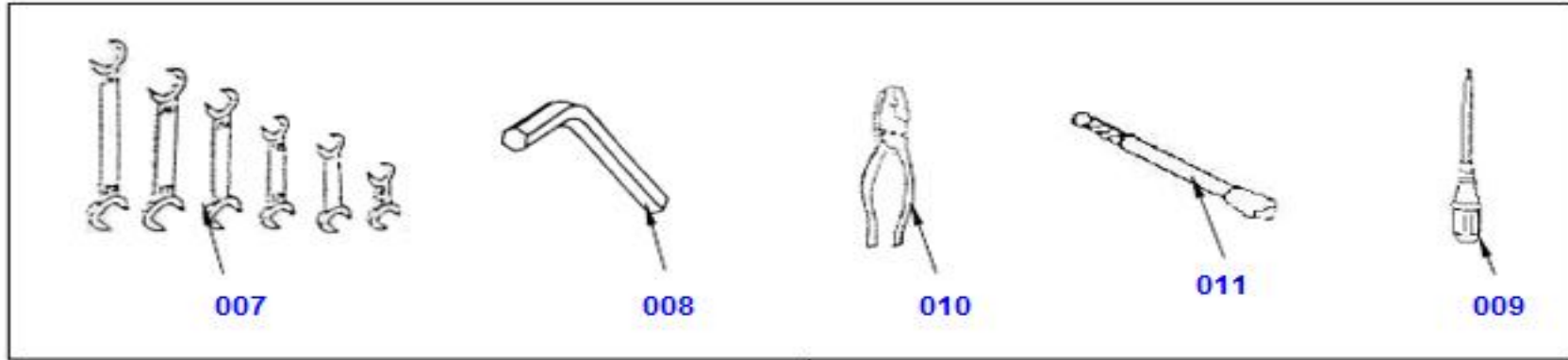
Steering- Axle-Brake

0409

0410

Steering- Axle-Brake

Tools



Picture No: EPL349010100-00



| POZ | Part No | N.S.N | Code | Part Name (Türkçe) | Part Name (English) | Quantity |
|-----|--------------|-------|------|---|---|----------|
| | | | | <i>Tools</i> | | |
| 001 | 387046063001 | | | AVADANLIK TIP 9 | TOOLS TYPE 9 | 1 |
| 007 | 387009958001 | | | BIJON ANAHTARI | WRENCH, WHEEL | 1 |
| 007 | 387028715001 | | | KRIKO, TELESKOPIK, 10 TON | JACK ASM. | 1 |
| 008 | 377774279101 | | | KRIKO STEPNE BIJON KOLU | JACK SPARE WHEEL, WHEEL BOLT LEVER | 1 |
| 008 | 387005008201 | | | CEKI KOLU | DRAWBAR | 1 |
| 009 | 387022032001 | | | TORNAVIDA, YILDIZ-DUZ | SCREWDRIVER, STAR-FLAT | 1 |
| 009 | 377771218401 | | | BRAKET, KRIKO BAG.KOMPLE | BRACKET, JACK CONNECT. ASM. | 1 |
| 010 | 585171002001 | | | PENSE, DUZ | PLIER | 1 |
| 011 | 377774814001 | | | SUBAP ANAHTARI | VALVE KEY | 1 |
| 014 | 301000006101 | | | RONDELA, DUZ D=6 DIN 125 | PIPE, AIR INTAKE | 4 |
| 015 | 300860006101 | | | SOMUN, PL. EMN. M6, KALIN D. DIN985 | NUT, NYLON PRV. M6, COARSE T. DIN985 | 4 |
| 016 | 377775561001 | | | EVRAK CANTASI | BRIEFCASE | 1 |
| 017 | 377776003001 | | | LASTIK SISIRME SETI 10m. | TYRE PUFFING TOOL | 1 |
| 196 | 377771216201 | | | BRAKET, KRIKO UST BAGLANTI | BRACKET, JACK TOP JOINT | 1 |
| 199 | 377771217101 | | | BRAKET, KRIKO ALT BAGLANTI | BRACKET, JACK UNDER JOINT | 1 |
| 200 | 300110825601 | | | CIVATA, KLB M8X1. 25X25 KALIN D. DIN316 | BOLT, WING M8X1. 25X25 COARSE T. DIN316 | 1 |

Tools

Steering- Axle-Brake

0410

Bölüm Sonu

ANADOLU ISUZU OTOMOTIV SAN. TIC. A.S.

ISUZU



ANADOLU GRUBU

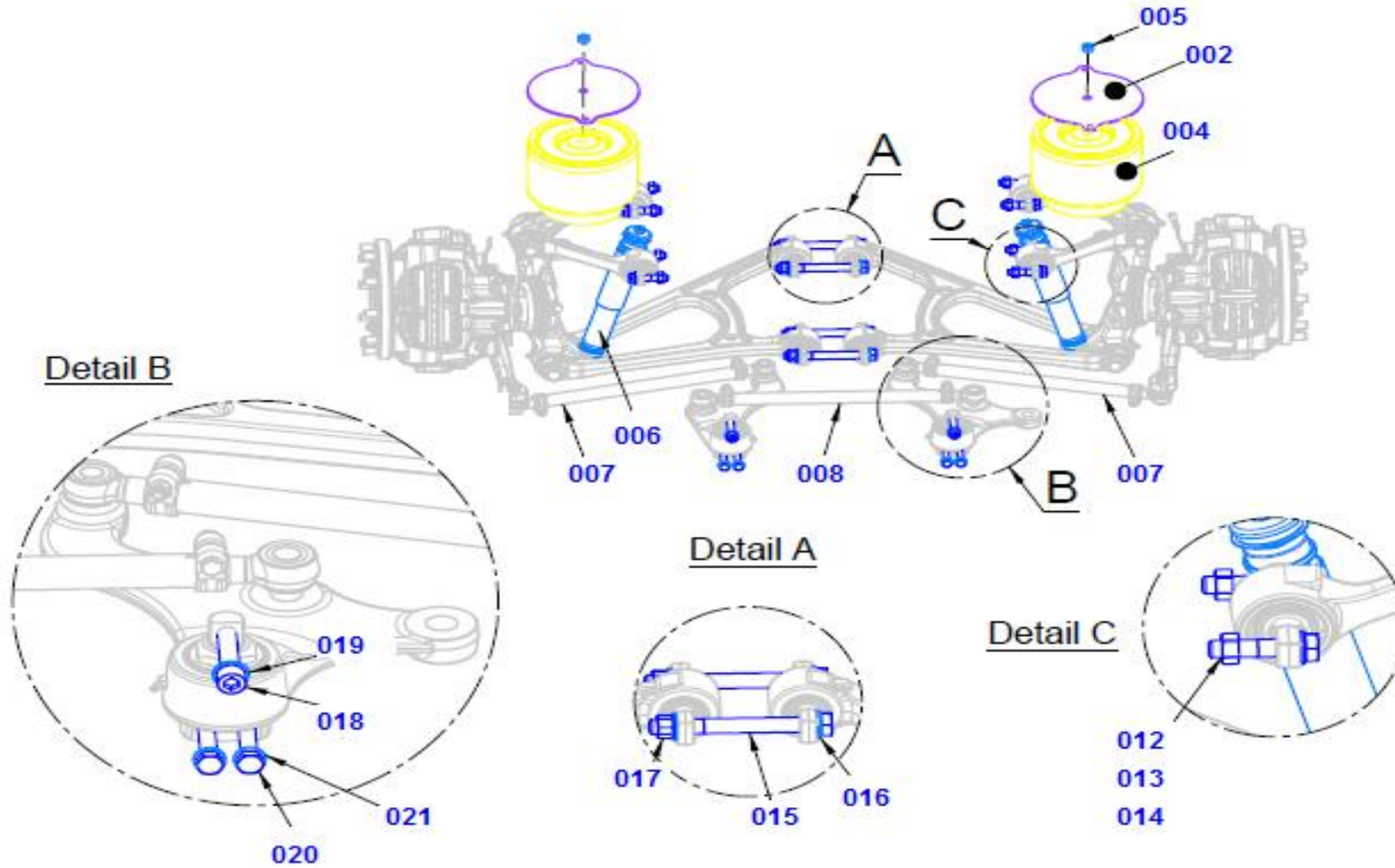
CITIPORT AT E6

05-Suspension

0501

Suspension

Front Suspension



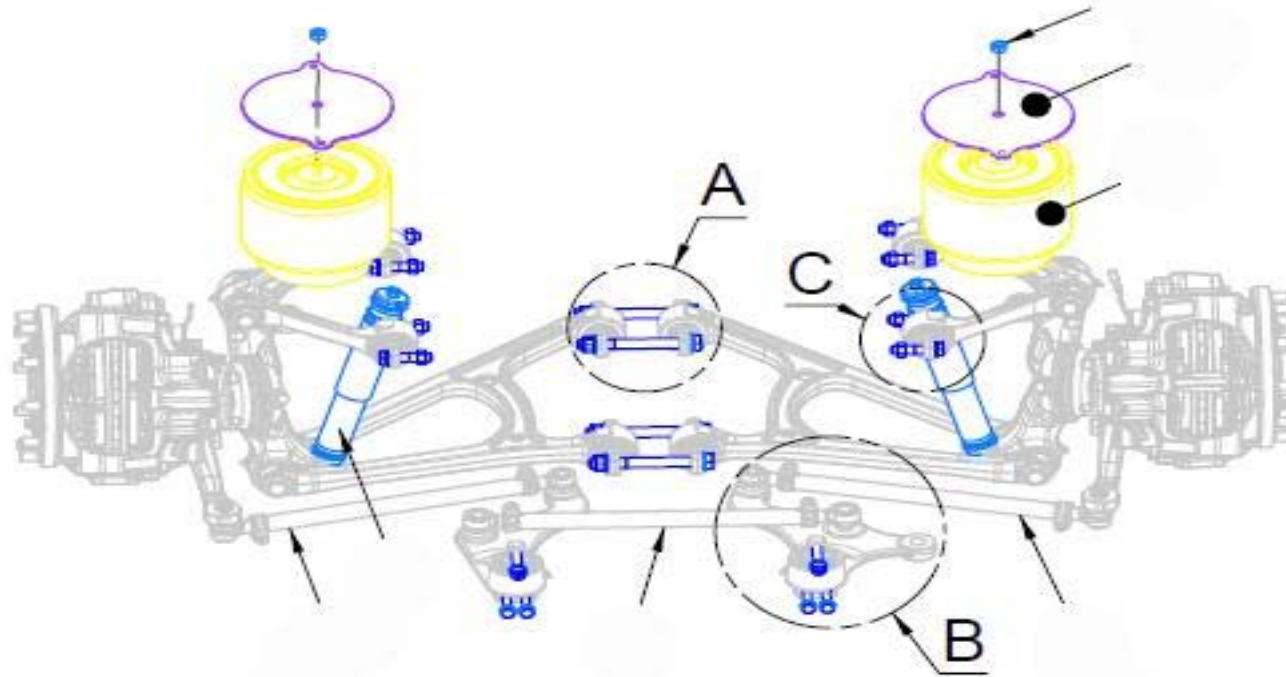
Picture No: EPL344500100-00

| POZ | Part No | N.S.N | Code | Part Name (Türkçe) | Part Name (English) | Quantity |
|-------------------------|--------------|-------|------|---|---------------------------------------|-------------|
| | | | | <i>Front Suspension</i> | | |
| 002 | 387033896001 | | | PLAKA, KORUK UST | LICENSE PLATE, BELLOWS TOP | 2 |
| 004 | 387034721001 | | | HAVA KORUGU, ON SUSPANSIYON | AIR BELLOW, FRONT SUSPENSION | 2 |
| 005 | 300510018401 | | | SOMUN, AKB M18X1. 5, INCE D. DIN934 | NUT, HEX M18X1. 5, FINE T. DIN934 | 4 |
| 006 | 387038887001 | | | AMORTISOR, ON | DAMPER, FRONT | 2 |
| 007 | 387036929001 | | | ROT KOLU, TEKER IFS | ROD ARM | 2 |
| 008 | 387036930001 | | | ROT KOLU, DIREKSIYON ARA IFS | ROD ARM | 1 |
| 012 | 300082090401 | | | CIVATA, AKB M20X1. 5X90, INCE D. DIN960 | BOLT, HEX M20X1. 5X90, FINE T. DIN960 | 8 |
| 013 | 301000020401 | | | RONDELA, HV300 Ø20 | WASHER, HV300 Ø20 | 8 |
| 014 | 300510020401 | | | SOMUN, AKB M20X1. 5, INCE D. DIN934 | NUT, HEX M20X1. 5, FINE T. DIN934 | 8 |
| 015 | 387034439001 | | | CIVATA, M24x 2x230 DIN 960 | BOLT, M24x 2x230 DIN 960 | 4 |
| 016 | 387038894001 | | | RONDELA, D24x4 DIN125/2 | WASHER, D24x4 DIN125/2 | 8 |
| 017 | 387034440101 | | | SOMUN, M24X2 DIN 934 | NUT, M24X2 DIN 934 | 4 |
| 018 | 387035317001 | | | CIVATA, IMBUS M18x1. 5x110 DIN 912 | BOLT, IMBUS M18x1. 5x110 DIN 912 | 2 |
| 019 | 301000018401 | | | RONDELA, Ø18, HV300 | WASHER, Ø18, HV300 | 2 |
| 020 | 300081600401 | | | CIVATA, AKB M16X1. 5X100 | BOLT, HEX M16X1. 5X60, FINE T. DIN960 | 4 |
| 021 | 301000016401 | | | RONDELA, D16x3 DIN 125 | WASHER | 4 |
| Front Suspension | | | | Suspension | | 0501 |

0501

Suspension

Front Suspension



Picture No: EPL344500100-01

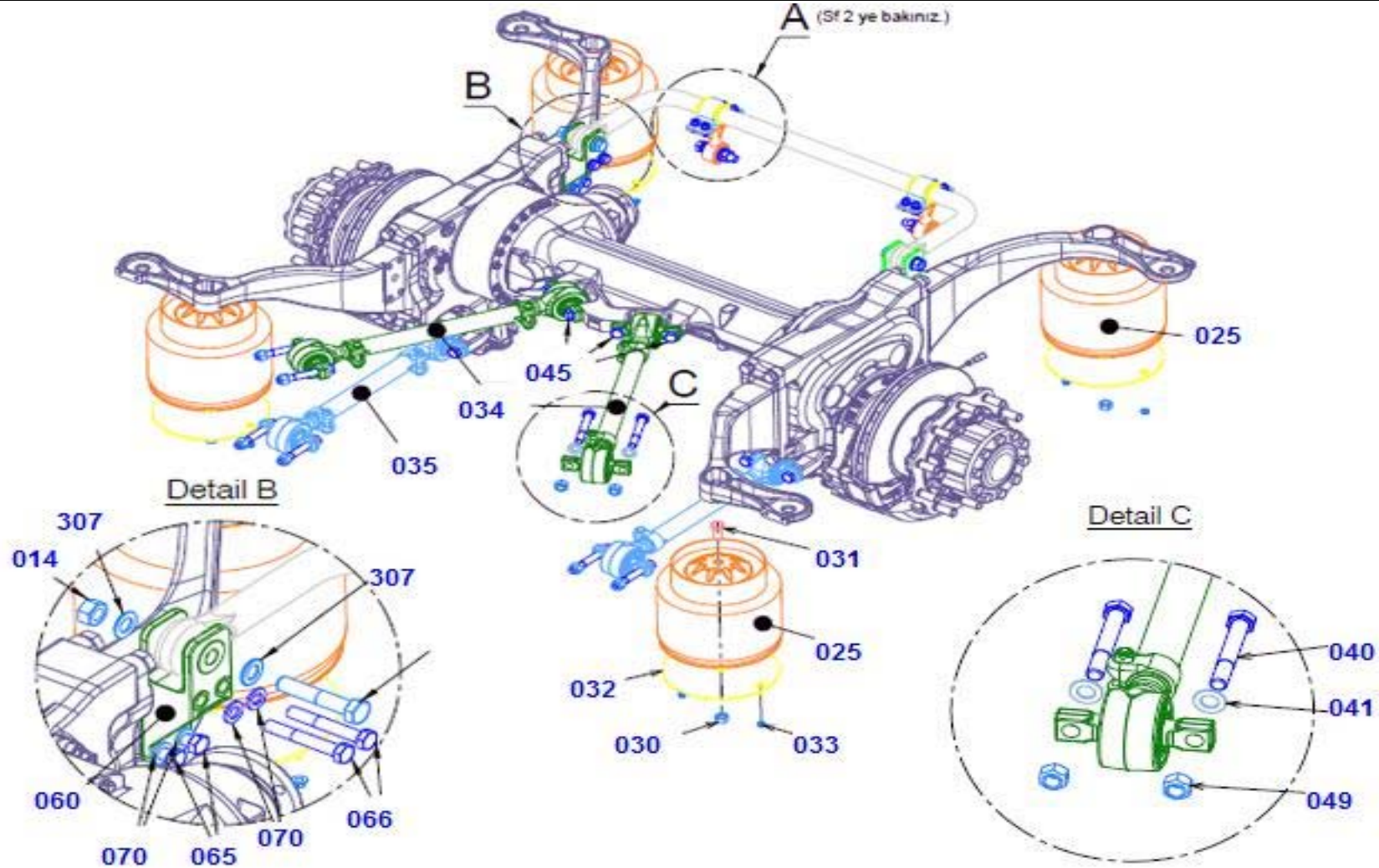


| POZ | Part No | N.S.N | Code | Part Name (Türkçe) | Part Name (English) | Quantity |
|------------------|--------------|-------|------|---|-------------------------------|----------|
| 000 | 387034726051 | | | <i>Front Suspension</i> SUSPANSİYON, ON BAGIMSIZ | SUSPENSION, FRONT INDEPENDENT | 1 |
| Front Suspension | | | | Suspension | | 0501 |

0502

Suspension

Rear Suspension



Picture No: EPL344600100-00

| POZ | Part No | N.S.N | Code | Part Name (Türkçe) | Part Name (English) | Quantity |
|-----|--------------|-------|------|---|---------------------------------------|----------|
| | | | | <i>Rear Suspension</i> | | |
| 014 | 300510020401 | | | SOMUN, AKB M20X1. 5, INCE D. DIN934 | NUT, HEX M20X1. 5, FINE T. DIN934 | 4 |
| 025 | 387034728001 | | | HAVA KORUGU, ARKA SUSPANSIYON | AIR BELLOW, REAR SUSPENSION | 4 |
| 030 | 300510018401 | | | SOMUN, AKB M18X1. 5, INCE D. DIN934 | NUT, HEX M18X1. 5, FINE T. DIN934 | 4 |
| 031 | 300061840401 | | | CIVATA, AKB M18X1. 5X40, INCE D. DIN961 | BOLT, HEX M18X1. 5X40, FINE T. DIN961 | 4 |
| 032 | 387034417001 | | | PLAKA, KORUK BAGLANTI | LICENSE PLATE, BELLOWS JOINT | 4 |
| 033 | 300670008401 | | | SOMUN, FLN M8X1. 25, KALIN D. DIN6923 | NUT, FLN M8X1. 25, COARSE T. DIN6923 | 8 |
| 034 | 387036931001 | | | V ROD | V ROD | 2 |
| 035 | 387036932001 | | | L-ROT | L-ROD | 2 |
| 040 | 387034986401 | | | CIVATA, M18X1. 5X130, DIN 960 | BOLT, M18X1. 5X130, DIN 960 | 8 |
| 041 | 301000018401 | | | RONDELA, Ø18, HV300 | WASHER, Ø18, HV300 | 8 |
| 045 | 300061860701 | | | CIVATA, AKB M18X1. 5X60, INCE D. DIN961 | BOLT, HEX M18X1. 5X60, FINE T. DIN961 | 8 |
| 049 | 387030082401 | | | SOMUN, M18X1. 5, DIN 980/V | NUT, M18X1. 5, DIN 980/V | 8 |
| 060 | 387040782101 | | | BRAKET, STABILIZER | BRACKET, STABILIZER | 2 |
| 065 | 300061640401 | | | CIVATA, AKB M16X1. 5X40, INCE D. DIN961 | BOLT, HEX M16X1. 5X40, FINE T. DIN961 | 4 |
| 066 | 300081600401 | | | CIVATA, AKB M16X1. 5X100 | BOLT, HEX M16X1. 5X60, FINE T. DIN960 | 4 |
| 070 | 301000016401 | | | RONDELA, D16x3 DIN 125 | WASHER | 8 |
| 307 | 301000020401 | | | RONDELA, HV300 Ø20 | WASHER, HV300 Ø20 | 8 |

Rear Suspension

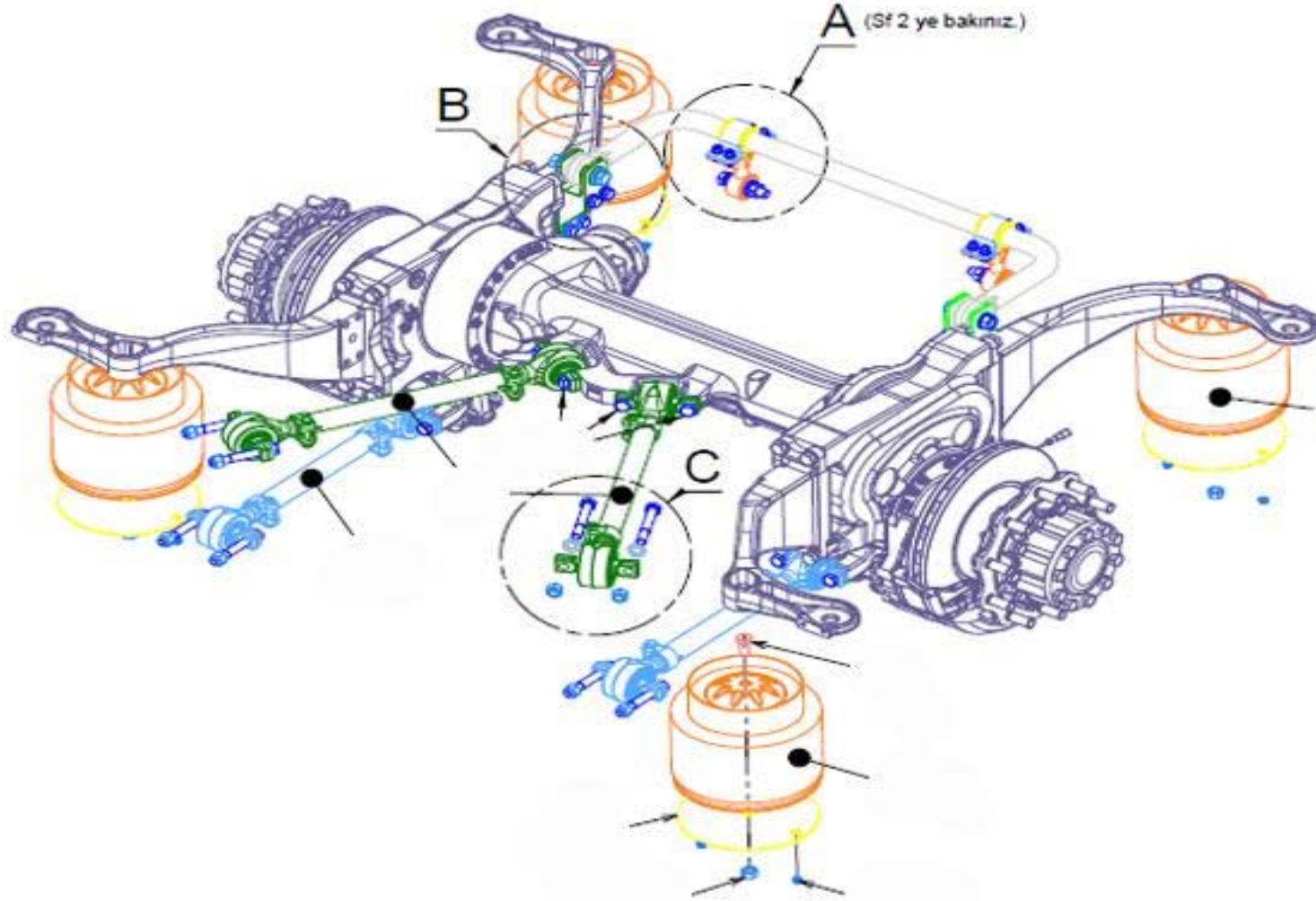
Suspension

0502

0502

Suspension

Rear Suspension



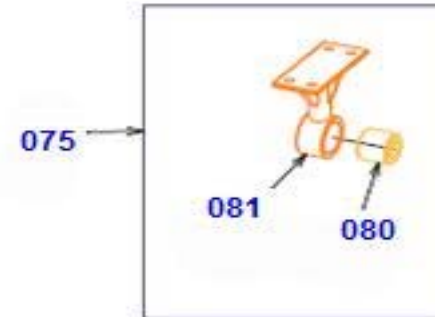
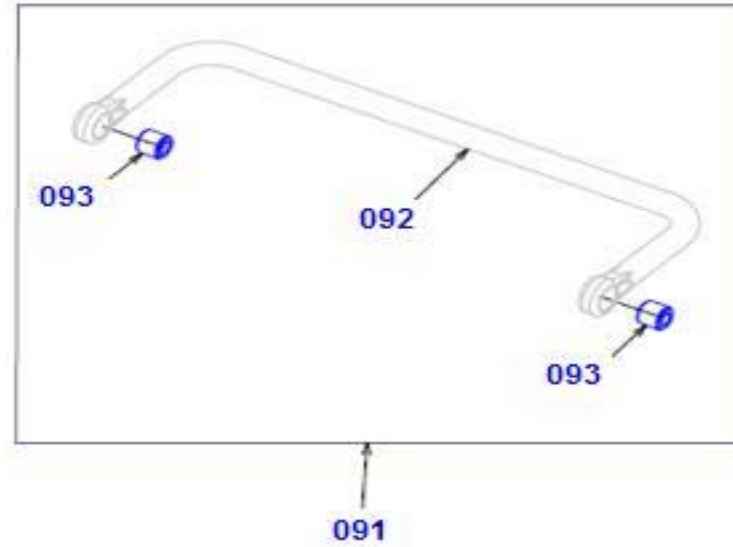
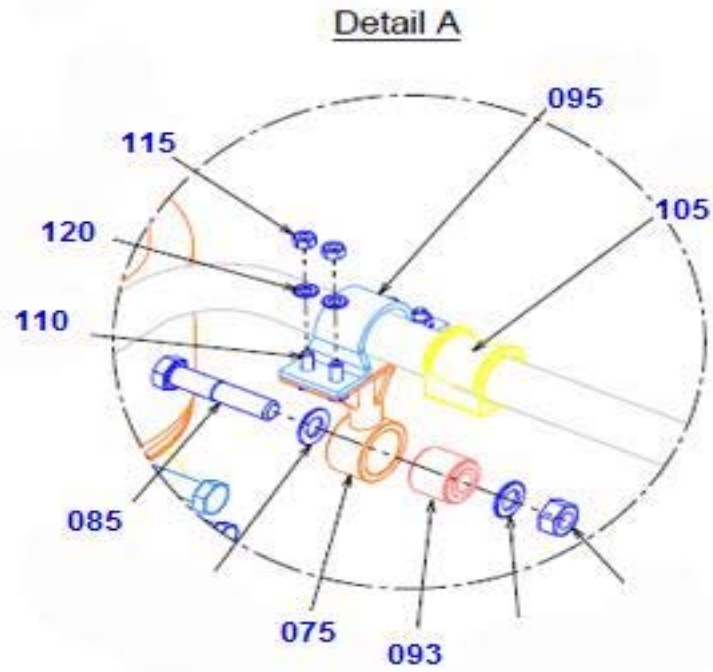
Picture No: EPL344600100-01

| POZ | Part No | N.S.N | Code | Part Name (Türkçe) | Part Name (English) | Quantity |
|-----------------|--------------|-------|------|--|---------------------|----------|
| 000 | 387034735051 | | | <i>Rear Suspension</i> AKS KOMPLESI, ARKA | REAR AXLE ASM | 1 |
| Rear Suspension | | | | Suspension | | 0502 |

0502

Suspension

Rear Suspension



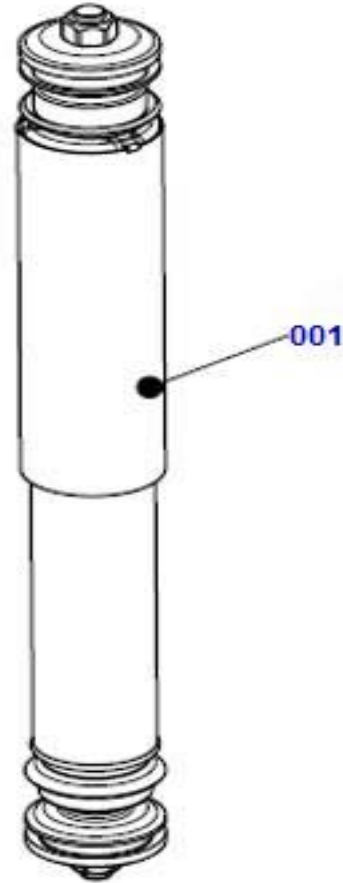
Picture No: EPL344600200-00

| POZ | Part No | N.S.N | Code | Part Name (Türkçe) | Part Name (English) | Quantity |
|-----|--------------|-------|------|--|---|----------|
| | | | | <i>Rear Suspension</i> | | |
| 075 | 387034880101 | | | ASKI KOLU, STABILIZER, KOMPLE | ARM, STABILIZER | 2 |
| 080 | 387020706001 | | | BURC, STABILIZER ARKA | BUSHING, STABILIZER REAR | 1 |
| 081 | 387034865101 | | | ASKI KOLU, STABILIZER | ARM, STABILIZER | 1 |
| 085 | 300082000401 | | | CIVATA, AKB M20X1. 5X100, INCE D. DIN960 | BOLT, HEX M20X1. 5X100, FINE T. DIN960 | 2 |
| 091 | 387021629001 | | | STABILIZER, KOMPLE, ARKA Ø 45 | STABILIZER, REAR Ø45 | 1 |
| 092 | 387021630001 | | | STABILIZER, ARKA Ø 45 | STABILIZER, REAR Ø45 | 1 |
| 093 | 387020706001 | | | BURC, STABILIZER ARKA | BUSHING, STABILIZER REAR | 2 |
| 094 | 300082000401 | | | CIVATA, AKB M20X1. 5X100, INCE D. DIN960 | BOLT, HEX M20X1. 5X100, FINE T. DIN960 | 2 |
| 095 | 387023454001 | | | BRAKET, STABILIZER BURC TUTUCU | BRACKET, STABILIZER BUSHING HOLDER | 2 |
| 105 | 387023250001 | | | BURC, STABILIZER ARKA | BUSHING, STABILIZER REAR | 2 |
| 110 | 300051035401 | | | CIVATA, AKB M10X1. 5X35, KALIN D. DIN933 | BOLT, HEX M10X1. 5X35, COARSE T. DIN933 | 8 |
| 115 | 300500010401 | | | SOMUN, AKB M10X1. 5, KALIN D. DIN934 | NUT, HEX M10X1. 5, COARSE T. DIN934 | 8 |
| 120 | 301090010401 | | | RONDELA, YAYLI D=10 DIN 137 | WASHER, SPRING D= 10 DIN 137 | 16 |

Rear Suspension

Suspension

0502

0503**Suspension****Rear Shock Absorber**

Picture No: EPL344610100-00

| POZ | Part No | N.S.N | Code | Part Name (Türkçe) | Part Name (English) | Quantity |
|-----|--------------|-------|------|---|---------------------|-------------|
| 001 | 387038713001 | | | <i>Rear Shock Absorber</i> AMORTISOR, ARKA | DAMPER, REAR | 4 |
| | | | | Rear Shock Absorber | Suspension | 0503 |

Bölüm Sonu

ANADOLU ISUZU OTOMOTIV SAN. TIC. A.S.

ISUZU



ANADOLU GRUBU

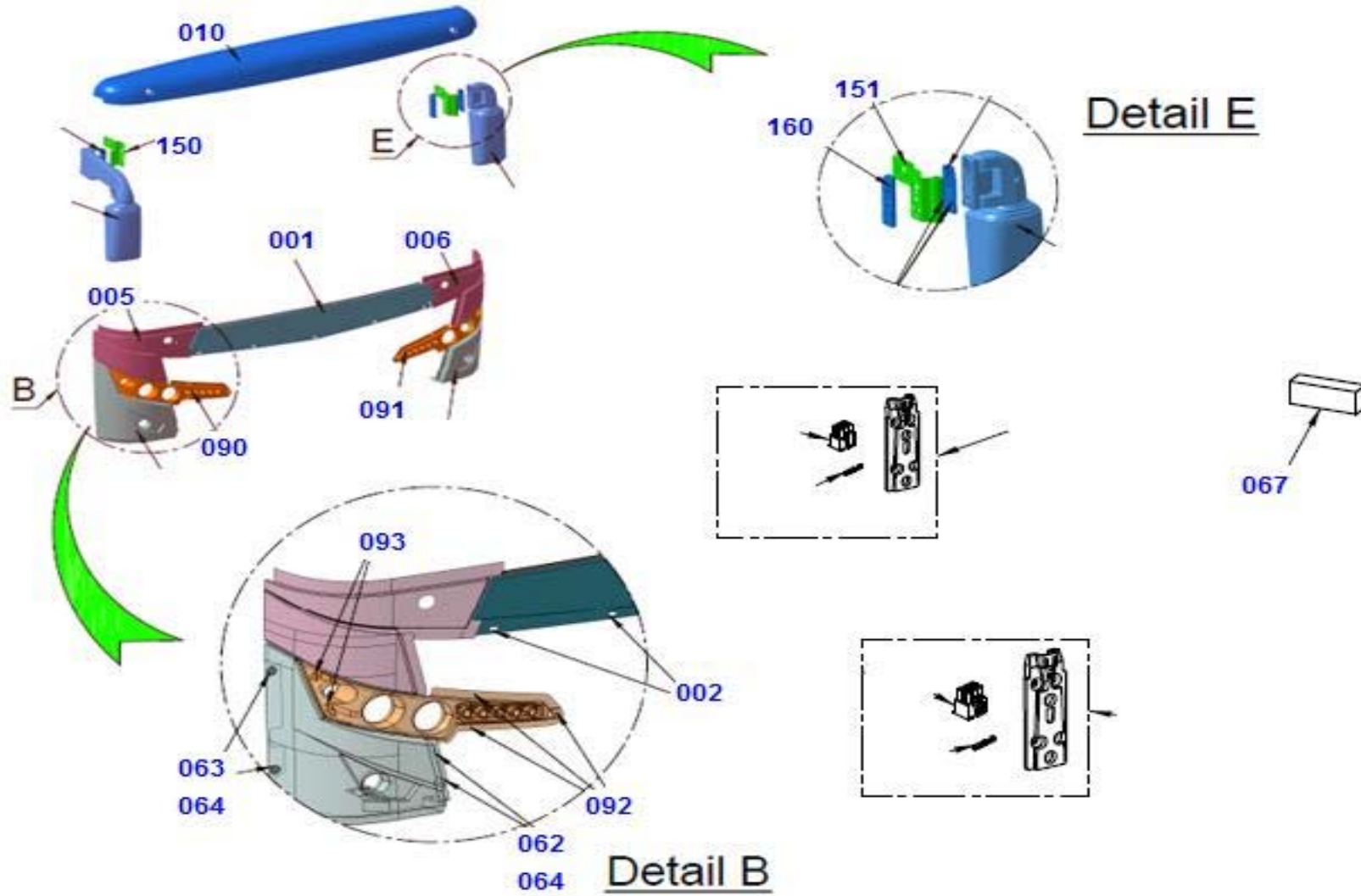
CITIPORT AT E6

06-Exterior Trim

0601

Exterior Trim

Exterior Trim



Picture No: EPL349360100-00

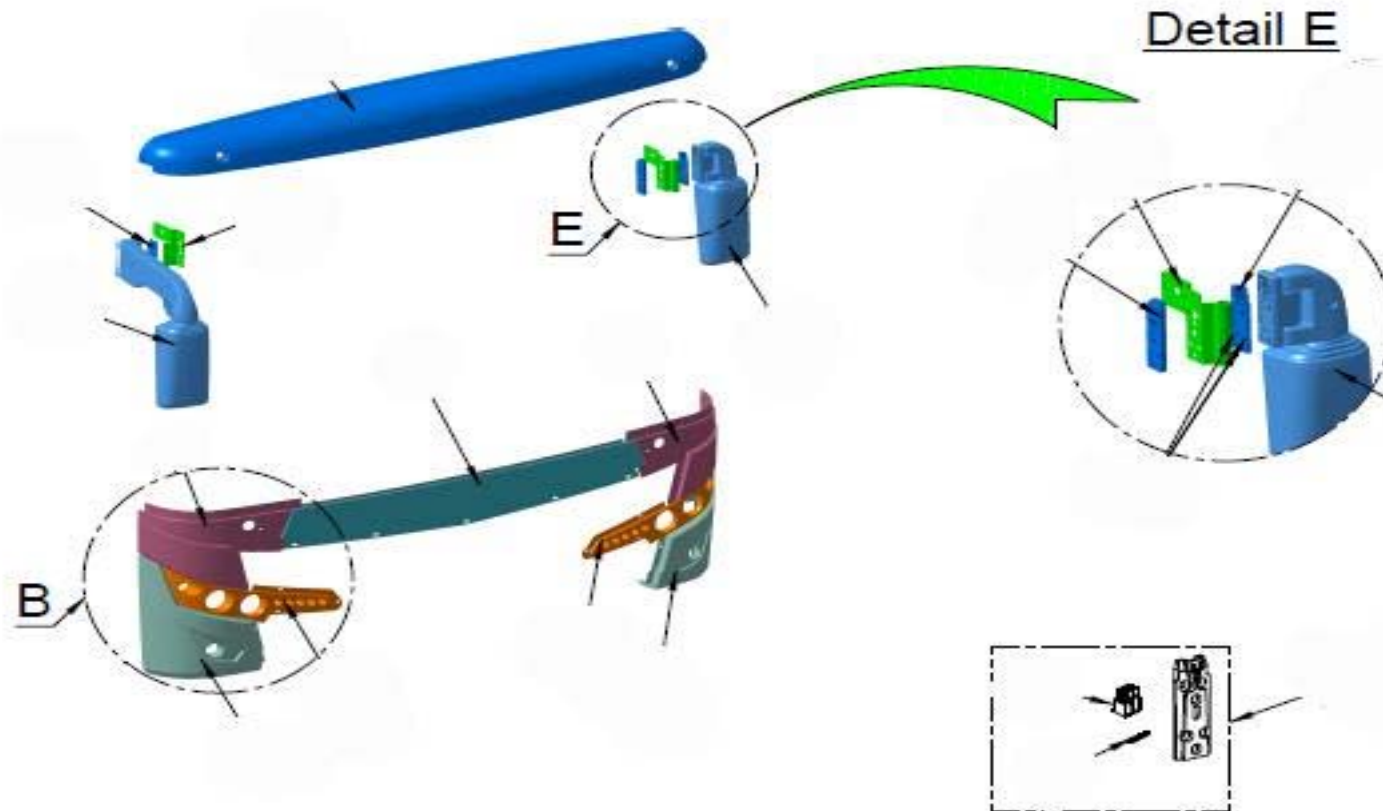


| POZ | Part No | N.S.N | Code | Part Name (Türkçe) | Part Name (English) | Quantity |
|----------------------|--------------|-------|------|---|---|-------------|
| | | | | <i>Exterior Trim</i> | | |
| 001 | 387037693001 | | | MASK, ON, ORTA | MASK, FRONT, CENTER | 1 |
| 002 | 301500615801 | | | VIDA, M 6X15 DIN 7986 | SCREW M6X15 DIN 7986 | 5 |
| 005 | 387032676001 | | | MASK, ON, SAG KOSE | MASK, FRONT, RIGHT CORNER | 1 |
| 006 | 387037692001 | | | MASK, ON, SOL KOSE | MASK, FRONT, LEFT CORNER | 1 |
| 010 | 387032680101 | | | TAVAN, ON | ROOF, FRONT | 1 |
| 062 | 301500615801 | | | VIDA, M 6X15 DIN 7986 | SCREW M6X15 DIN 7986 | 4 |
| 063 | 300580008801 | | | SOMUN, FLN&TR M8X1. 25, KALIN D. DIN 6923 | NUT, FLN&SRTD M8X1. 25, COARSE T. DIN 692 | 4 |
| 064 | 301000008601 | | | RONDELA, DUZ D=8 DIN 125 | WASHER, PLAIN D= 8 DIN 125 | 4 |
| 067 | 387018198001 | | | TAKOZ, MASK MESAFE AYAR | WEDGE, MASK SET DISTANCE | 90 |
| 090 | 387032674101 | | | KAPAK, SAG FAR | LID, RIGHT HEADLAMP | 1 |
| 091 | 387032675101 | | | KAPAK, SOL FAR | LID, LEFT HEADLAMP | 1 |
| 092 | 301500615801 | | | VIDA, M 6X15 DIN 7986 | SCREW M6X15 DIN 7986 | 6 |
| 093 | 300580006801 | | | SOMUN, FLN&TR M6X1, KALIN D. DIN6923 | NUT, FLN&SRTD M6X1, COARSE T. DIN6923 | 4 |
| 115 | 377775847001 | | | VIDA, HAVSA, DUZ, BSL, M8X35 | SCREW | 12 |
| 150 | 387038228001 | | | BRAKET, BAYRAK VE KAMERA TASIYICI, SAG | BRACKET, RIGHT | 1 |
| 151 | 387038347001 | | | BRAKET, BAYRAK VE KAMERA TASIYICI, SOL | BRACKET, LEFT | 1 |
| 160 | 387038357001 | | | TAKOZ, ALT, AYAK YUKSELTME | MOUNT, LOWER | 1 |
| Exterior Trim | | | | Exterior Trim | | 0601 |

0601

Exterior Trim

Exterior Trim



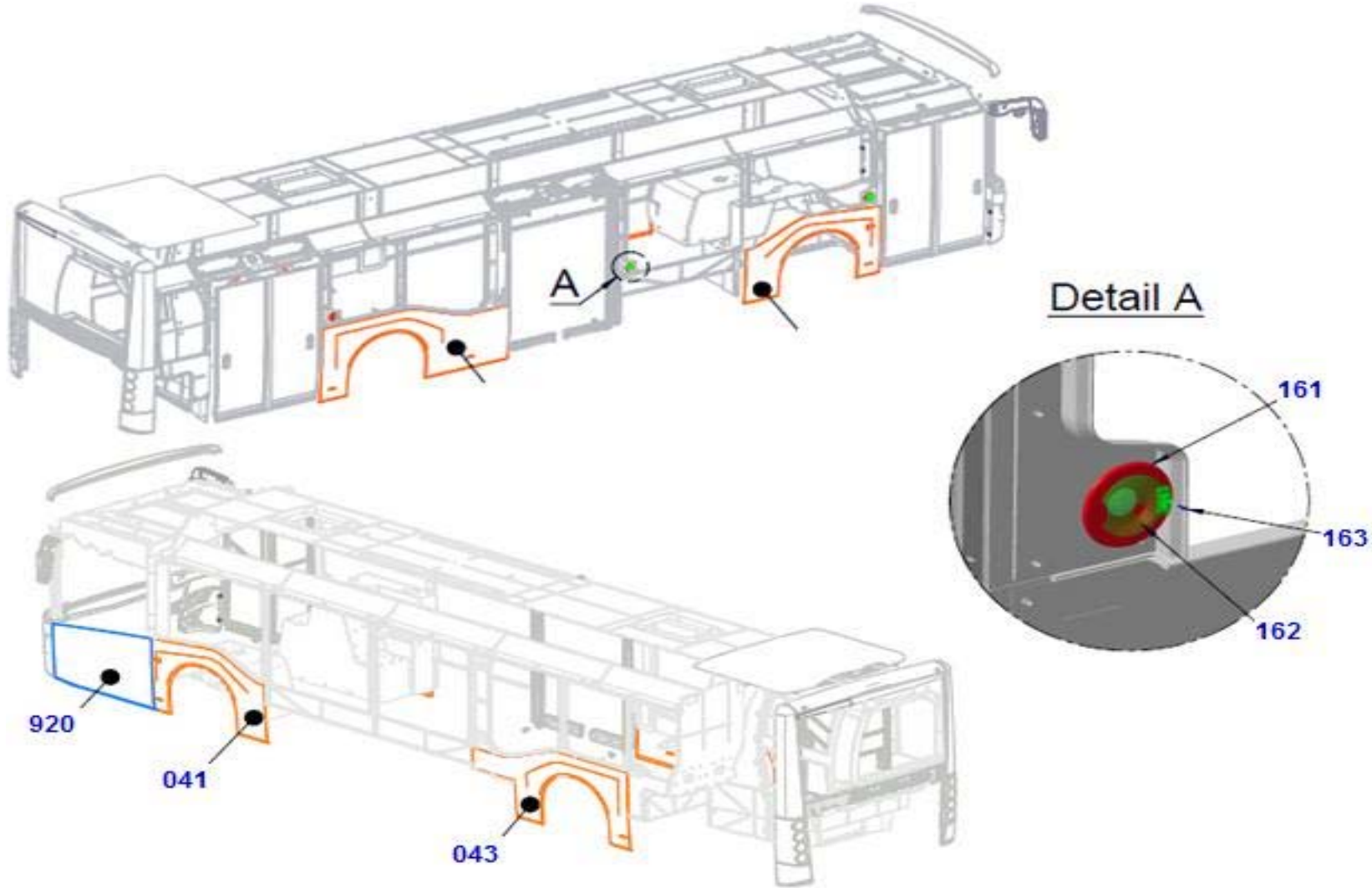
Picture No: EPL349360100-01

| POZ | Part No | N.S.N | Code | Part Name (Türkçe) | Part Name (English) | Quantity |
|----------------------|--------------|-------|------|---|---|-------------|
| | | | | <i>Exterior Trim</i> | | |
| 015 | 387043264001 | | | MASK, ARKA | MASK, RR | 1 |
| 016 | 387038485001 | | | KAPAK, ARKA KAMERA, ARKA MASK | COVER, REAR CAMERA, REAR MASK | 1 |
| 017 | 301500515801 | | | VIDA M5 | SCREW M5 | 2 |
| 030 | 387041732201 | | | SPOILER, TAVAN, ARKA | SPOILER, ROOF, REAR | 1 |
| 031 | 300580008801 | | | SOMUN, FLN&TR M8X1. 25, KALIN D. DIN 6923 | NUT, FLN&SRTD M8X1. 25, COARSE T. DIN 692 | 8 |
| 070 | 387033589001 | | | TAMPON, ARKA, SAG KOSE | BUMPER, REAR, RIGHT EDGE | 1 |
| 071 | 387033590001 | | | TAMPON, ARKA, SOL KOSE | BUMPER, REAR, LEFT EDGE | 1 |
| 072 | 301500615801 | | | VIDA, M 6X15 DIN 7986 | SCREW M6X15 DIN 7986 | 6 |
| 073 | 300580008801 | | | SOMUN, FLN&TR M8X1. 25, KALIN D. DIN 6923 | NUT, FLN&SRTD M8X1. 25, COARSE T. DIN 692 | 4 |
| 074 | 301000008601 | | | RONDELA, DUZ D=8 DIN 125 | WASHER, PLAIN D= 8 DIN 125 | 4 |
| 080 | 387034946201 | | | KOSE, SAG, ARKA, LAMBA TUTUCU | CORNER, RIGHT, REAR, LAMP HOLDER | 1 |
| 081 | 387034945201 | | | KOSE, SOL, ARKA, LAMBA TUTUCU | CORNER, LEFT, REAR, LAMP HOLDER | 1 |
| 082 | 301500615801 | | | VIDA, M 6X15 DIN 7986 | SCREW M6X15 DIN 7986 | 6 |
| 083 | 300580008801 | | | SOMUN, FLN&TR M8X1. 25, KALIN D. DIN 6923 | NUT, FLN&SRTD M8X1. 25, COARSE T. DIN 692 | 4 |
| 084 | 301000008601 | | | RONDELA, DUZ D=8 DIN 125 | WASHER, PLAIN D= 8 DIN 125 | 4 |
| 101 | 300580008801 | | | SOMUN, FLN&TR M8X1. 25, KALIN D. DIN 6923 | NUT, FLN&SRTD M8X1. 25, COARSE T. DIN 692 | 4 |
| Exterior Trim | | | | Exterior Trim | | 0601 |

0601

Exterior Trim

Exterior Trim



Picture No: EPL349360200-00



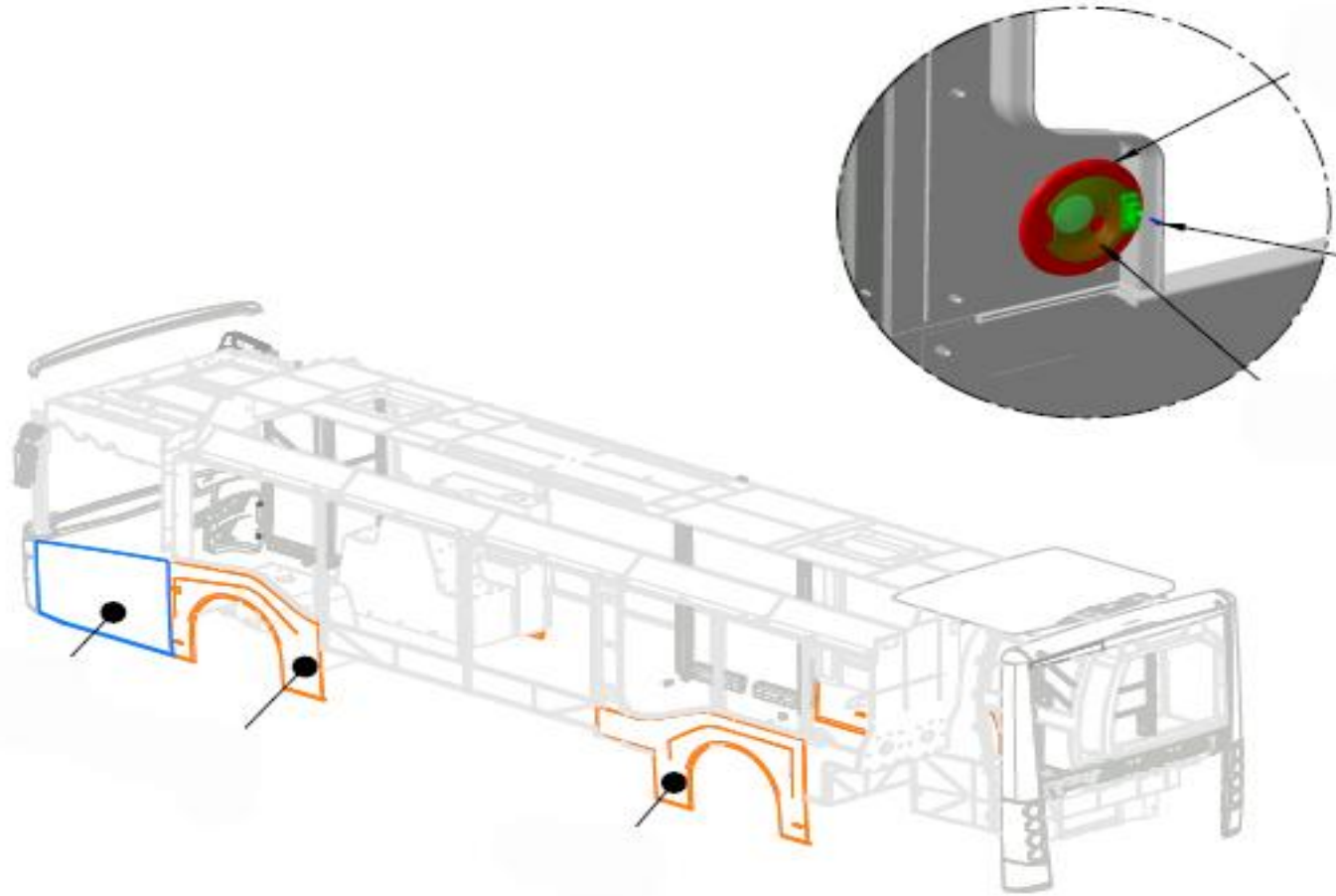
| POZ | Part No | N.S.N | Code | Part Name (Türkçe) | Part Name (English) | Quantity |
|----------------------|--------------|-------|------|---------------------------|---------------------------|-------------|
| | | | | <i>Exterior Trim</i> | | |
| 041 | 387032672001 | | | CAMURLUK, ON, SOL | BUMPER, FRONT, LEFT | 1 |
| 043 | 387032670001 | | | CAMURLUK, ARKA, SOL | BUMPER, REAR, LEFT | 1 |
| 161 | 387036622001 | | | KAPAK, ACIL CIKIS MUSLUGU | COVER, EMERGENCY EXIT TAP | 3 |
| 162 | 387036625101 | | | MUSLUK KORUMA KAPAGI | TAP HEAD PROTECTION | 6 |
| 163 | 301852913101 | | | SAC VIDASI | SELF TAPPING SCREW | 6 |
| 920 | 387039464001 | | | YAN FRP, ON, SOL | SIDE FRP, FRONT, LEFT | 1 |
| Exterior Trim | | | | Exterior Trim | | 0601 |

0601

Exterior Trim

Exterior Trim

Detail A



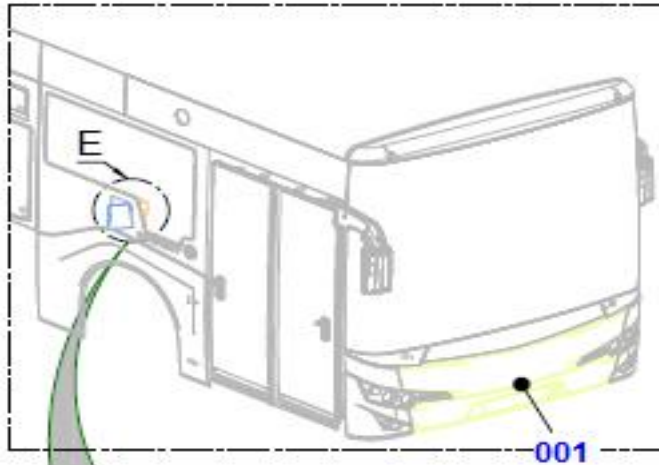
Picture No: EPL349360200-02

| POZ | Part No | N.S.N | Code | Part Name (Türkçe) | Part Name (English) | Quantity |
|---------------|--------------|-------|------|--------------------------------------|---------------------|----------|
| 930 | 387028158001 | | | <i>Exterior Trim</i> LASTIK CONTA | RUBBER SEAL | 4 |
| Exterior Trim | | | | Exterior Trim | | 0601 |

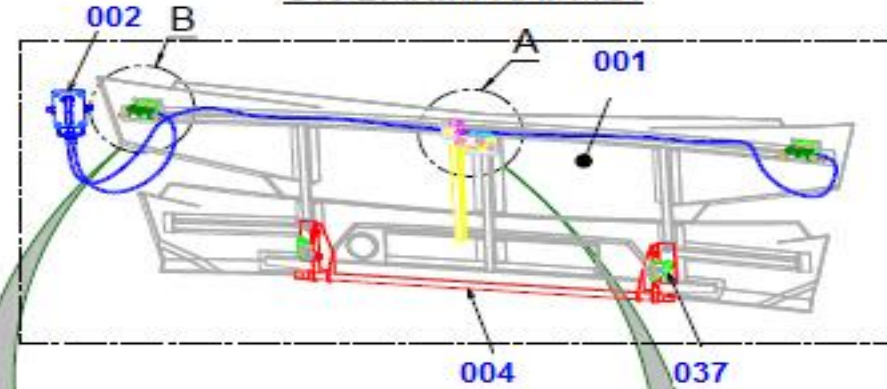
0602

Exterior Trim

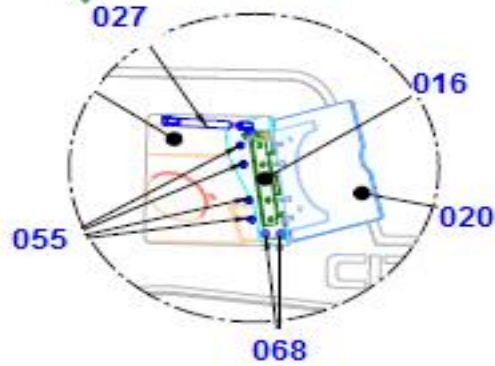
Trunk Covers



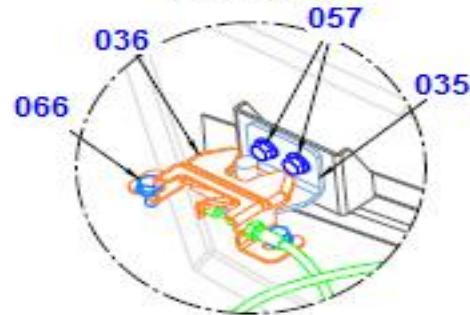
ÖN BAKIM KAPAGI



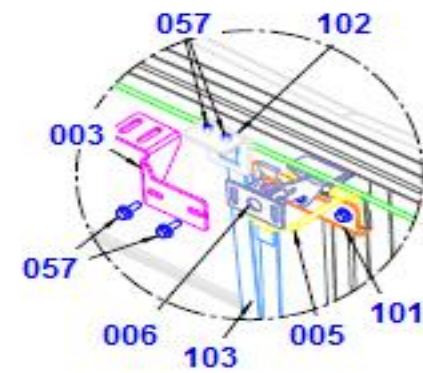
Detail E



Detail B



Detail A



Picture No: EPL349200100-00

| POZ | Part No | N.S.N | Code | Part Name (Türkçe) | Part Name (English) | Quantity |
|-----|--------------|-------|------|--|--|----------|
| | | | | <i>Trunk Covers</i> | | |
| 001 | 387034254001 | | | BAKIM KAPAGI, ON | MAINTENANCE ROOM LID, FRONT | 1 |
| 002 | 387034322001 | | | KILIT MANDALI | LOCK LEVERS | 1 |
| 003 | 387034287001 | | | SAC | SHEET PART | 1 |
| 004 | 387034323001 | | | TAMPON MENTESESİ | HINGE ASSEMBLY, BUMPER | 2 |
| 005 | 387034325001 | | | KILIT KARSILIGI | LOCK FACE | 1 |
| 006 | 387034327001 | | | KILIT | LOCK | 1 |
| 016 | 387035060101 | | | MENTESE | HINGE | 2 |
| 020 | 387035058101 | | | KAPAK, YAKIT DOLUM ODASI | LID, FUEL INLET ROOM | 1 |
| 027 | 387031999001 | | | AMORTISOR, DEPO KAPAGI | SHOCK ABSORBER, LUGGAGE CARRIER | 2 |
| 035 | 387028122001 | | | KILIT KARSLIGI, BAGAJ KAPAG | LATCH, TRUNK LID | 2 |
| 036 | 387028123001 | | | KILIT | LOCK | 2 |
| 037 | 387034304001 | | | SAC | SHEET PART | 4 |
| 055 | 300580005101 | | | SOMUN, FLN&TR M5X0. 8, KALIN D. DIN6923 | NUT, FLN&SRTD M5X0. 8, COARSE T. DIN6923 | 15 |
| 057 | 300120616601 | | | CIVATA, FLN M6X1X16, KALIN D. DIN6921 | BOLT, FLN M6X1X16, COARSE T. DIN6921 | 67 |
| 066 | 300120612601 | | | CIVATA, FLN M6X1X12, KALIN D. DIN6921 | BOLT, FLN M6X1X12, COARSE T. DIN6921 | 4 |
| 068 | 300120512101 | | | CIVATA, FLN M5X0. 8X12, KALIN D. DIN6921 | BOLT, FLN M5X0. 8X12, COARSE T. DIN6921 | 4 |
| 101 | 387040616001 | | | BRAKET | BRACKET | 1 |
| 102 | 387040617001 | | | BRAKET | BRACKET | 1 |
| 103 | 387040618001 | | | KEMER, TUTAMAK | BAND | 1 |

Trunk Covers

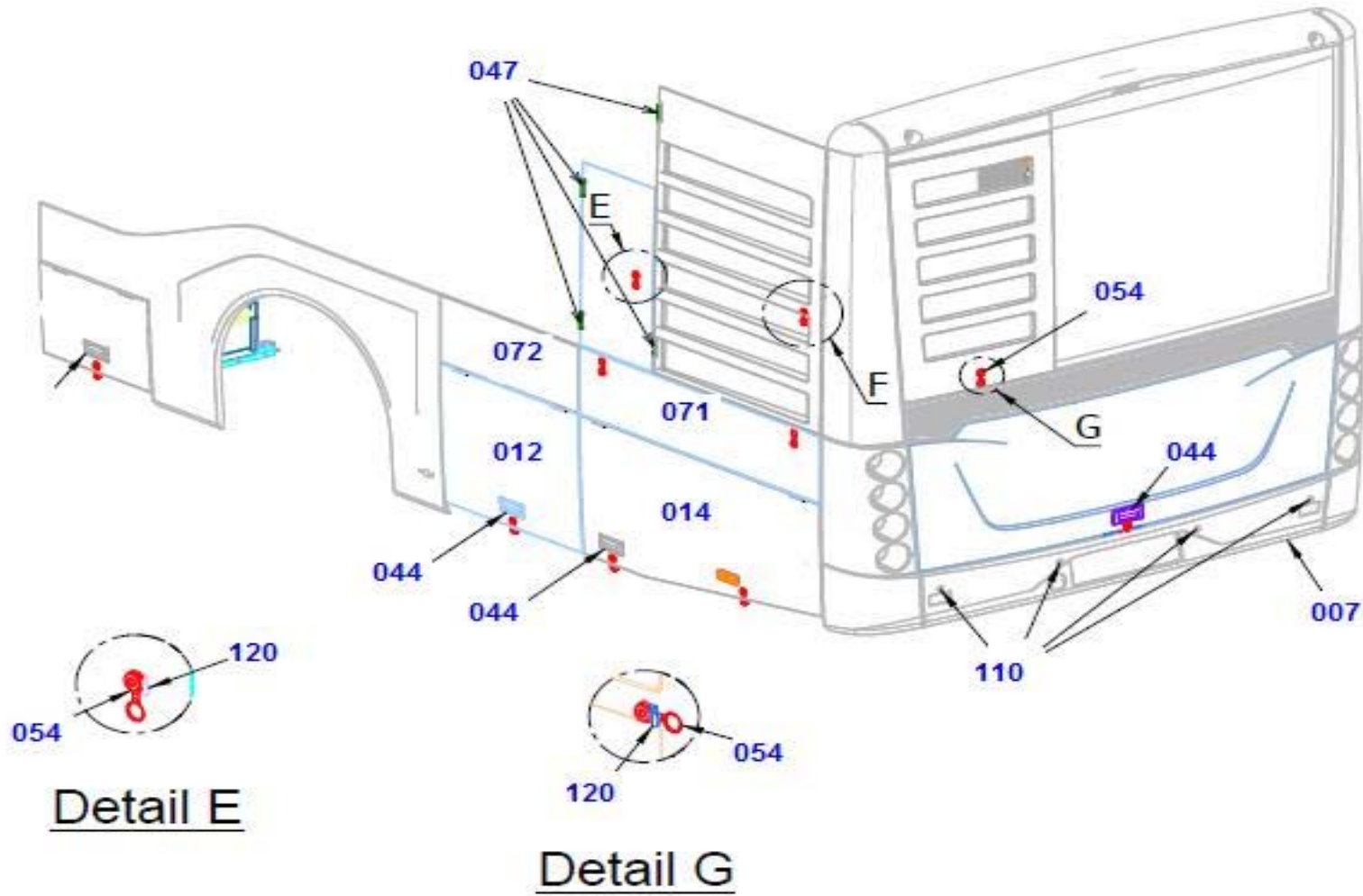
Exterior Trim

0602

0602

Exterior Trim

Trunk Covers



Picture No: EPL349200200-00



| POZ | Part No | N.S.N | Code | Part Name (Türkçe) | Part Name (English) | Quantity |
|-----|--------------|-------|------|---------------------------|-----------------------|----------|
| | | | | <i>Trunk Covers</i> | | |
| 007 | 387034257201 | | | TAMPON, ARKA | BUMPER, REAR | 1 |
| 012 | 387034581101 | | | BAKIM KAPAGI | MAINTENANCE ROOM LID | 1 |
| 014 | 387034583101 | | | BAKIM KAPAGI | MAINTENANCE ROOM LID | 1 |
| 019 | 387035059201 | | | GOVDE, YAKIT DOLUM ODASI | BODY, FUEL INLET ROOM | 1 |
| 044 | 388882750201 | | | TUTAMAK, BGJ. KAPI | HANDLE, LUGGAGE DOOR | 4 |
| 047 | 387038794001 | | | METRIK VIDALI KLIPS, M6x1 | SCREW M6X1 | 16 |
| 054 | 387039044001 | | | KILIT TAKIMI | LOCK KIT | 1 |
| 071 | 387034584101 | | | BAKIM KAPAGI | MAINTENANCE ROOM LID | 1 |
| 072 | 387039327101 | | | DIS SAC | SHEET | 1 |
| 110 | 387041283001 | | | PARK SENSORU | PARKING SENSOR | 1 |
| 120 | 387021465001 | | | TUTAMAK | HANDLE | 3 |

Trunk Covers

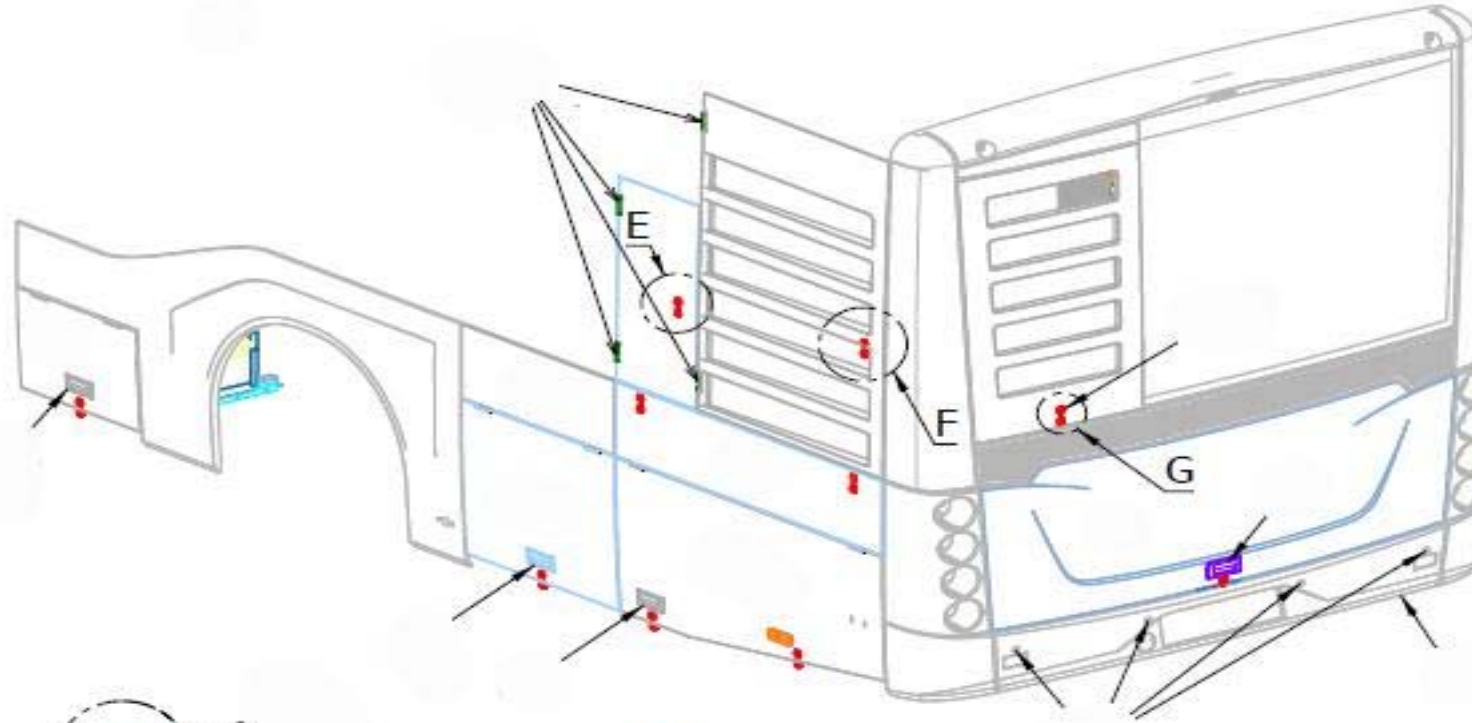
Exterior Trim

0602

0602

Exterior Trim

Trunk Covers



Detail E



Detail G



| POZ | Part No | N.S.N | Code | Part Name (Türkçe) | Part Name (English) | Quantity |
|-----|--------------|-------|------|---------------------------------------|--------------------------------------|----------|
| | | | | <i>Trunk Covers</i> | | |
| 009 | 387034929201 | | | MOTOR KAPAGI, ARKA UST | ENGINE COPMARTMENT LID, REAR TOP | 1 |
| 010 | 387035390201 | | | KOMPLE, RADYATOR ODASI KAPAGI | RADIATOR CHAMBER LID | 1 |
| 013 | 387034582101 | | | BAKIM KAPAGI | MAINTENANCE ROOM LID | 1 |
| 015 | 387036853201 | | | FRP, ADBLUE DOLUM ODASI KAPAGI | FRO, ADBLUE FILLIN CHAMBER LID | 1 |
| 017 | 387028202101 | | | MENTESE, MOTOR ODASI KAPAGI | HINGE, ENGINE COMPARTMENT LID | 2 |
| 018 | 387035128101 | | | MENTESE, RADYATOR ODASI KAPAGI | HINGE, RADIATOR ROOM CAP | 2 |
| 021 | 387038170001 | | | TOZ LASTIGI, ON ISITICI ODASI | DUST SEAL, PREHEATER ROOM | 1 |
| 024 | 387035779101 | | | KEMER, TUTAMAK | BAND | 1 |
| 026 | 387030907101 | | | AMORTISOR, BAGAJ KAPAGI | DAMPER, TAILGATE | 3 |
| 028 | 387038784201 | | | MENTESE, UZUN TIP | HINGE, LONG TYPE | 4 |
| 033 | 387035485001 | | | BRAKET | BRACKET | 4 |
| 038 | 387035824001 | | | BRAKET | BRACKET | 2 |
| 050 | 387036068001 | | | KILIT KARSILIGI | LOCK FACE | 7 |
| 065 | 300620010601 | | | SOMUN, FLN M10X1. 5, KALIN D. DIN6923 | NUT, FLN M10X1. 5, COARSE T. DIN6923 | 4 |

Trunk Covers

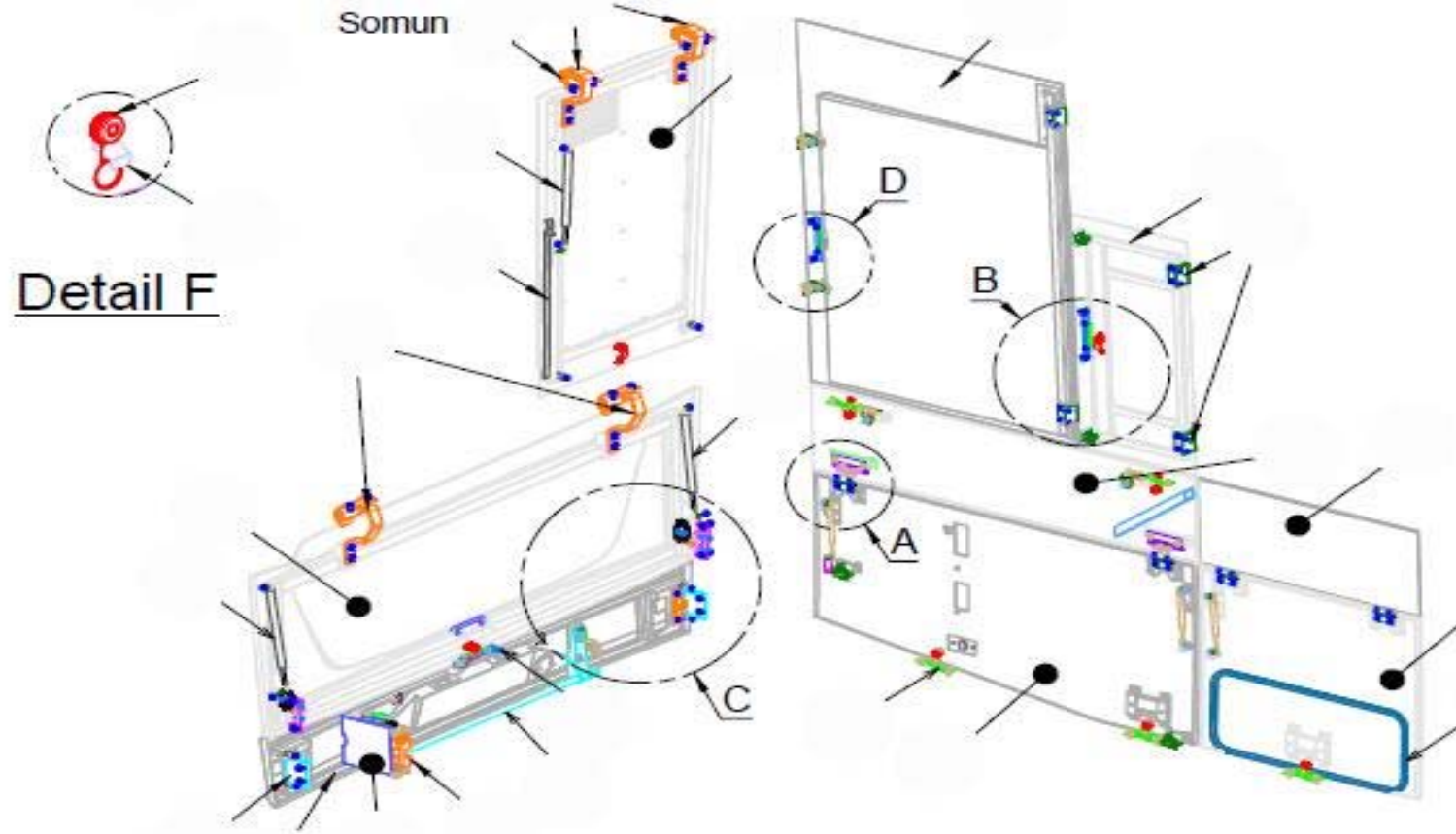
Exterior Trim

0602

0602

Exterior Trim

Trunk Covers



Picture No: EPL349200200-02

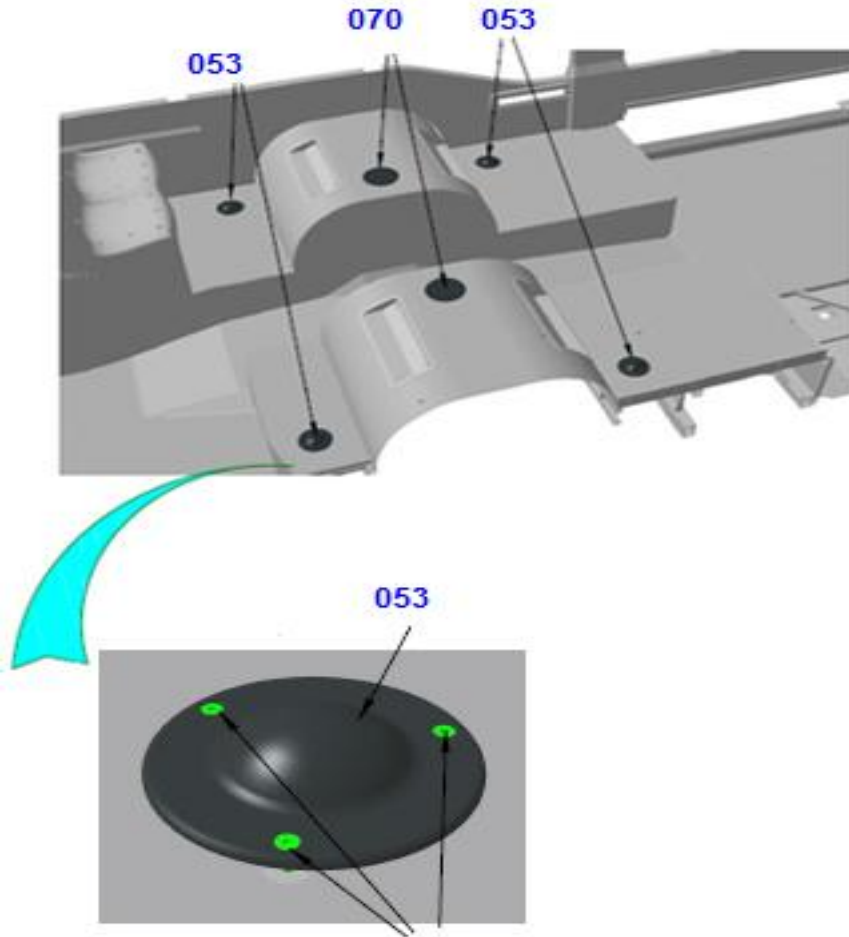
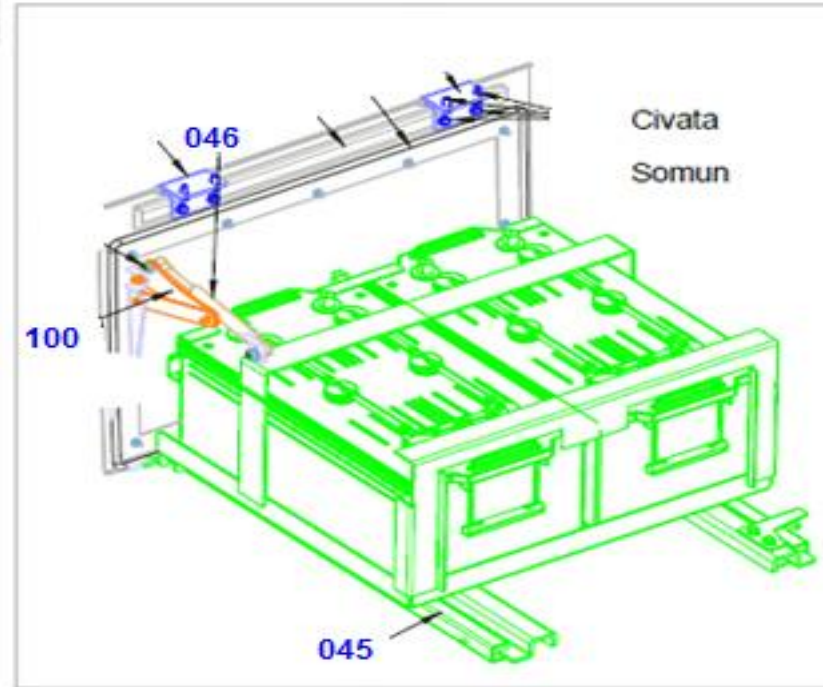


| POZ | Part No | N.S.N | Code | Part Name (Türkçe) | Part Name (English) | Quantity |
|-----|--------------|-------|------|---|--|----------|
| | | | | <i>Trunk Covers</i> | | |
| 025 | 387022659001 | | | TAKOZ, KOL DAYAMA, M6 | BLOCK, ARMREST | 22 |
| 029 | 387035385201 | | | MENTESE, KISA TIP | HINGE, SHORT TYPE | 6 |
| 030 | 387035495001 | | | BURC | BUSHING | 6 |
| 031 | 387035491101 | | | BRAKET | BRACKET | 9 |
| 032 | 387035967001 | | | BRAKET | BRACKET | 1 |
| 034 | 387001626101 | | | KILIT KARSILIGI SAC | STRIKE PLATE SHEET | 5 |
| 042 | 387038707001 | | | KILIT, SRK | LOCK | 2 |
| 056 | 300580006101 | | | SOMUN, FLN&TR M6X1, KALIN D. DIN6923 | NUT, FLN&SRTD M6X1, COARSE T. DIN6923 | 65 |
| 058 | 300120620601 | | | CIVATA, FLN M6X1X20, KALIN D. DIN6921 | BOLT, FLN M6X1X20, COARSE T. DIN6921 | 21 |
| 061 | 300120820601 | | | CIVATA, FLN M8X1. 25X20, KALIN D. DIN6921 | BOLT, FLN M8X1. 25X20, COARSE T. DIN6921 | 12 |
| 062 | 300620008601 | | | SOMUN, FLN M8X1. 25, KALIN D. DIN6923 | NUT, FLN M8X1. 25, COARSE T. DIN6923 | 29 |
| 074 | 387039441001 | | | KILIT KARSILIGI | LOCK FACE | 2 |
| 075 | 387039438001 | | | BRAKET | BRACKET | 2 |

Trunk Covers

Exterior Trim

0602

0602**Exterior Trim****Trunk Covers****AKU ODASI**

Picture No: EPL349200300-00

| POZ | Part No | N.S.N | Code | Part Name (Türkçe) | Part Name (English) | Quantity |
|-----|--------------|-------|------|---------------------|---------------------|----------|
| | | | | <i>Trunk Covers</i> | | |
| 045 | 387035516201 | | | AKU CEKMECESI | BATTERY DRAWER | 1 |
| 046 | 387035621101 | | | AMORTISOR | DAMPER | 3 |
| 053 | 387039053001 | | | FRP, KAPAK | FRP, COVER | 4 |
| 070 | 387039818001 | | | KAPAK, KORUK USTU | COVER, BELLOW UP | 2 |
| 100 | 387044626001 | | | CUBUK, DAYAMA | ROD, SUPPORT | 1 |

Trunk Covers

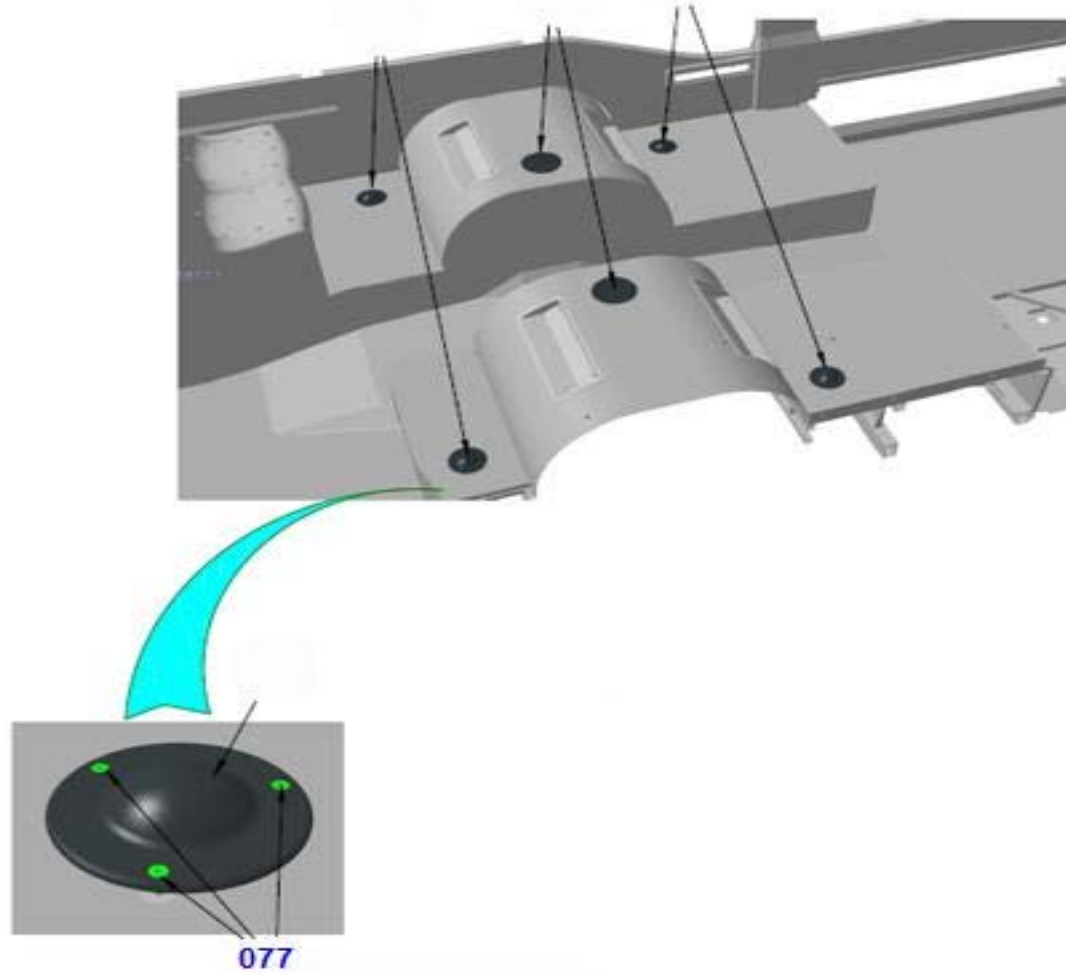
Exterior Trim

0602

0602

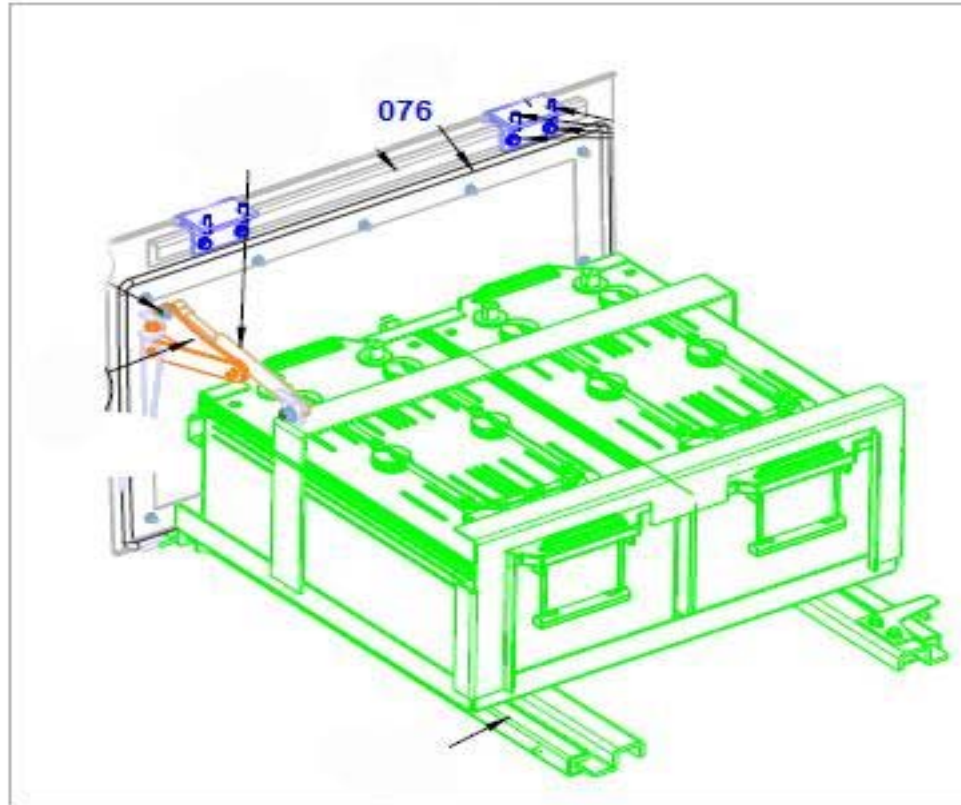
Exterior Trim

Trunk Covers



Picture No: EPL349200300-01

| POZ | Part No | N.S.N | Code | Part Name (Türkçe) | Part Name (English) | Quantity |
|--------------|--------------|-------|------|-------------------------------|---------------------|----------|
| 077 | 301700530301 | | | <i>Trunk Covers</i> CIVATA | BOLT | 20 |
| Trunk Covers | | | | Exterior Trim | | 0602 |

0602**Exterior Trim****Trunk Covers**AKU ODASI

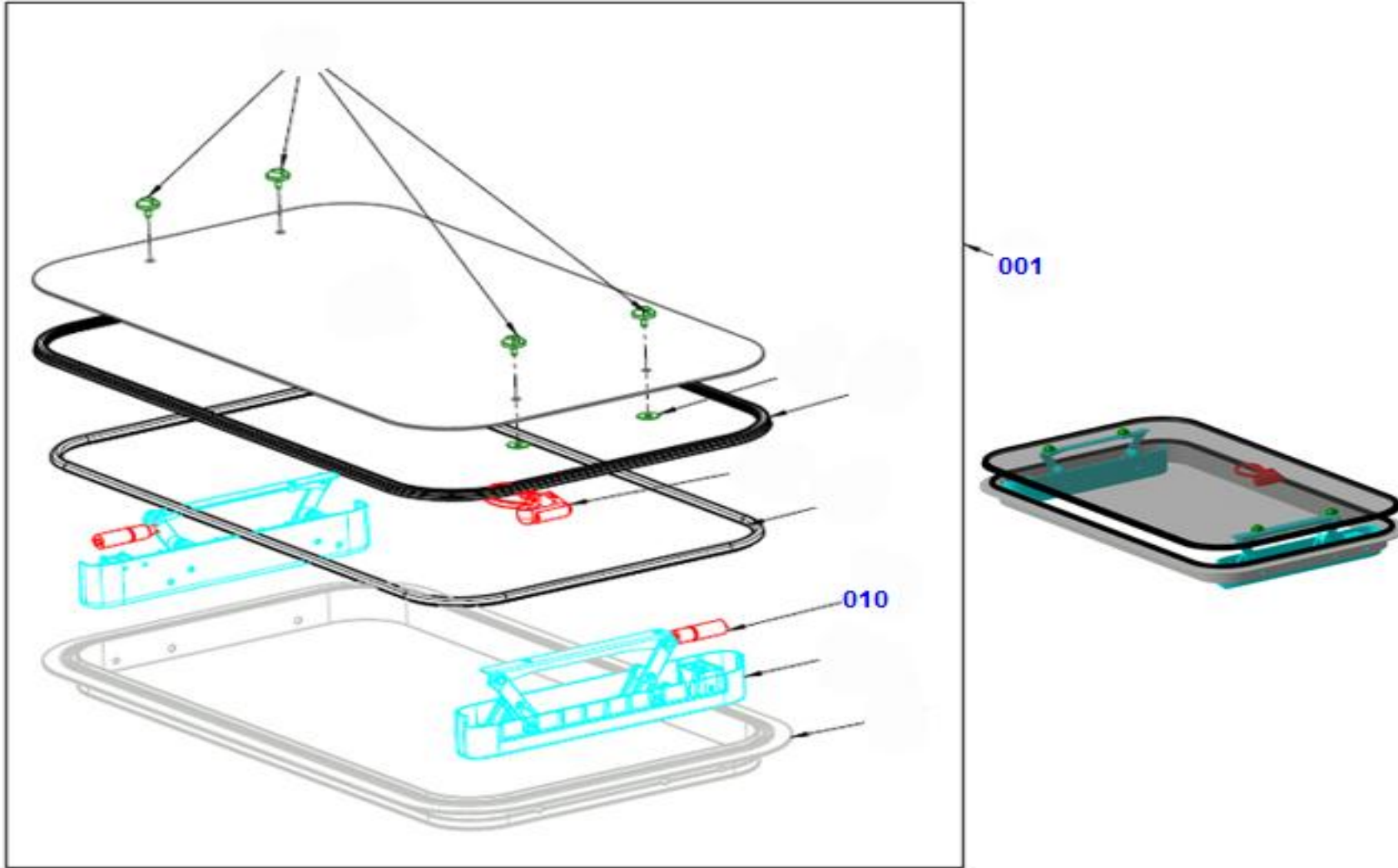
Picture No: EPL349200300-02

| POZ | Part No | N.S.N | Code | Part Name (Türkçe) | Part Name (English) | Quantity |
|--------------|--------------|-------|------|---|-------------------------|----------|
| 076 | 387039225001 | | | <i>Trunk Covers</i> TOZ LASTIGI, AKU ODASI | DUST SEAL, BATTERY ROOM | 1 |
| Trunk Covers | | | | Exterior Trim | | 0602 |

0603

Exterior Trim

Emergency Exit And Ventilation Unit



Picture No: EPL349380100-00



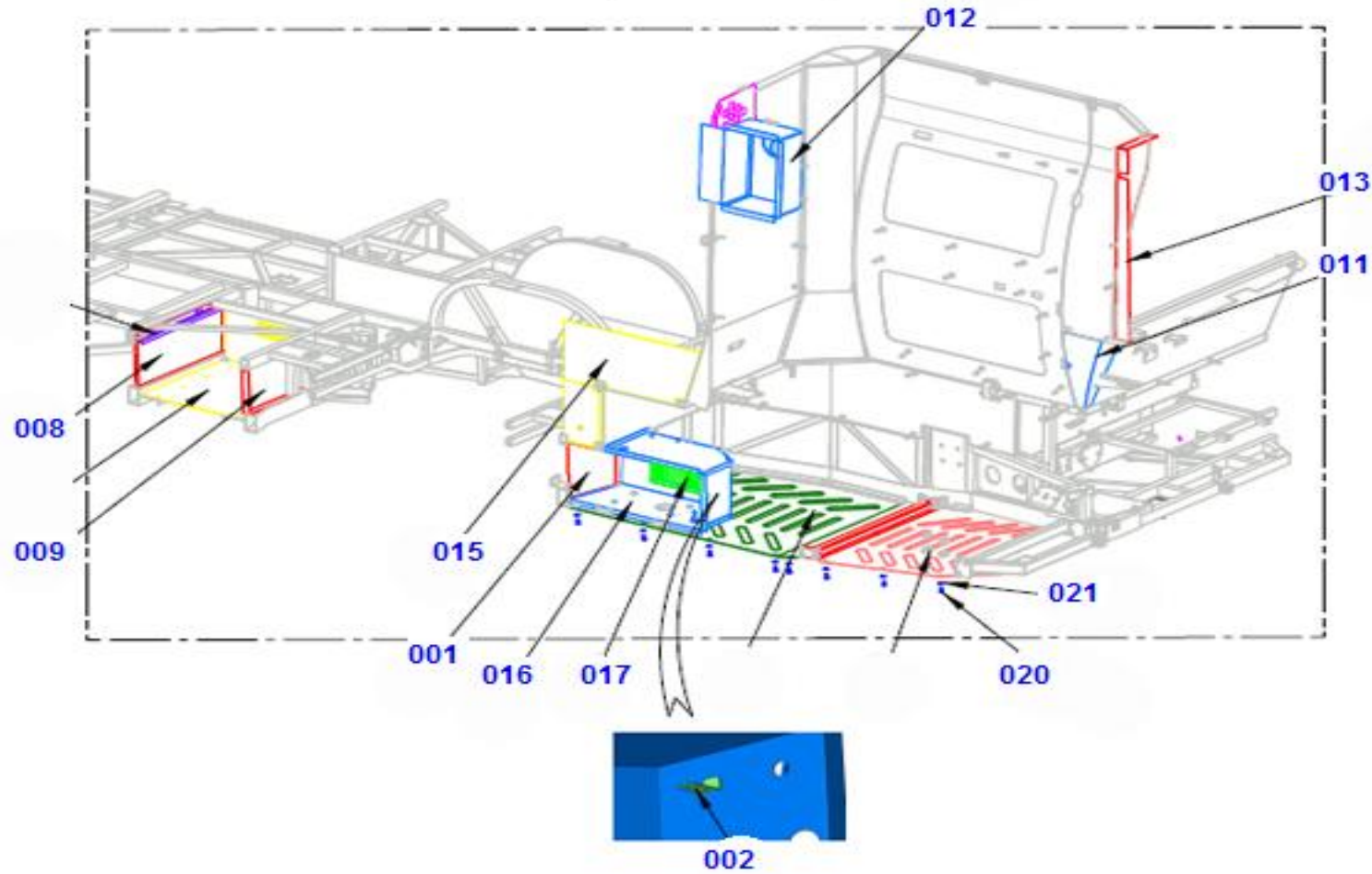
| POZ | Part No | N.S.N | Code | Part Name (Türkçe) | Part Name (English) | Quantity |
|-------------------------------------|--------------|-------|------|--|--------------------------------|----------|
| | | | | <i>Emergency Exit And Ventilation Unit</i> | | |
| 001 | 387040811001 | | | ACIL ÇIKIŞ KAPAGI KOMPLESİ, ELEKTRİKLI | EMERGENCY EXIT CAP, ELECTRICAL | 2 |
| 010 | 387040820001 | | | CONTA, ELEKTRİKLI HAVALANDIRMA KAPAGI | GASKET, VENTILATION CAP | 4 |
| Emergency Exit And Ventilation Unit | | | | Exterior Trim | | 0603 |

0604

Exterior Trim

Trunk Panels

Detail A



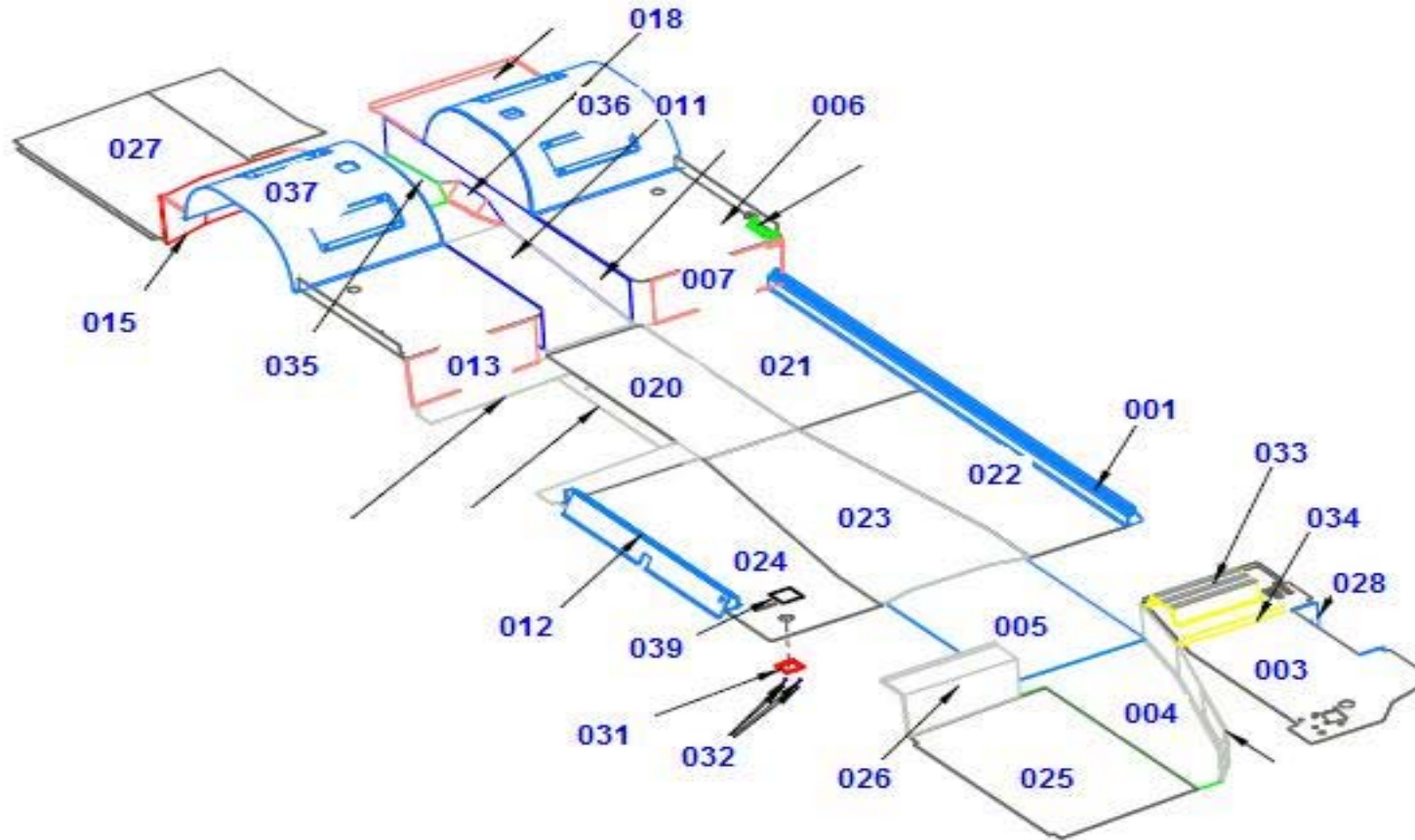
Picture No: EPL349140100-00

| POZ | Part No | N.S.N | Code | Part Name (Türkçe) | Part Name (English) | Quantity |
|-----|--------------|-------|------|----------------------------------|------------------------------------|----------|
| | | | | <i>Trunk Panels</i> | | |
| 001 | 387035214201 | | | SAC, MOTOR ODASI ON ALT | PLATE, ENGINE CHAMBER FRONT BORROM | 1 |
| 002 | 387043741001 | | | BRACKET, EBERSPACHER ENSTALASYON | BRACKET, EBERSPACHER HARNESS | 1 |
| 008 | 387035412201 | | | SAC, AKU DOLABI SOL | PLATE, BATTERY CHAMBER LEFT | 1 |
| 009 | 387035413201 | | | SAC, AKU DOLABI SAG | PLATE, BATTERY CHAMBER RIGHT | 1 |
| 011 | 387035589401 | | | SAC, ARKA UCLU YAN KAPAMA | PLATE, RR TRIPLE SIDE COVER | 1 |
| 012 | 387043437001 | | | HAVA EMIS KUTUSU | AIR INTAKE BOX | 1 |
| 013 | 387034688201 | | | SAC, MOTOR ODASI YAN KAPAMA | PLATE, ENGINE CHAMBER SIDE COVER | 1 |
| 015 | 387036228101 | | | SAC, MOTOR ODASI ON SOL | PLATE, ENGINE CHAMBER FRONT LEFT | 1 |
| 016 | 387036248201 | | | SAC, ON ISTICI KOMPLE | PLATE, PRE HEATER ASM. | 1 |
| 017 | 387036537101 | | | SAC, KAPAK | PLATE, LID | 1 |
| 020 | 301500620001 | | | CIVATA, 6X20 | BOLT, 6X20 | 45 |
| 021 | 301110006001 | | | RONDELA, DUZ D=6 DIN 9021 | WASHER, PLAIN D= 6 DIN 9021 | 45 |

Trunk Panels

Exterior Trim

0604

0605**Exterior Trim****Floor And Seat Panels**

Picture No: EPL349150100-00

| POZ | Part No | N.S.N | Code | Part Name (Türkçe) | Part Name (English) | Quantity |
|-----|--------------|-------|------|-------------------------------------|------------------------------------|----------|
| | | | | <i>Floor And Seat Panels</i> | | |
| 001 | 387034822201 | | | SAC, KALORIFER SOL YAN | PLATE, HEATER LEFT SIDE | 1 |
| 003 | 387034829301 | | | SAC, TABAN ON | PLATE, BASE FRONT | 1 |
| 004 | 387034830201 | | | SAC, TABAN ON KOSE | PLATE, BASE FRONT CORNER | 1 |
| 005 | 387034831201 | | | SAC, TABAN ORTA | PLATE, BASE CENTER | 1 |
| 006 | 387034833101 | | | SAC, TEKER USTU KAPAMA | PLATE, WHEEL TOP COVER | 1 |
| 007 | 387034834101 | | | SAC, KOSE KAPAMA | PLATE, CORNER COVER | 1 |
| 011 | 387034860101 | | | SAC, ARKA TEKER ARA KAPAMA | PLATE, RR WHEEL INTER COVER | 1 |
| 012 | 387034900201 | | | SAC, KALORIFER SAG YAN | PLATE, HEATER RIGHT SIDE | 1 |
| 013 | 387039534101 | | | SAC, ARKA TABAN KAPAMA | PLATE, BASE RR COVER | 1 |
| 015 | 387035031101 | | | SAC, TEKER ARKA KAPAMA | PLATE, WHEEL RR COVER | 1 |
| 018 | 387035032101 | | | SAC, TEKER USTU KAPAMA SOL | PLATE, WHEEL TOP COVER LEFT | 1 |
| 020 | 387035296201 | | | SAC, TABAN ORTA KAPI ON | PLATE, BASE CENTER DOOR SIDE | 1 |
| 021 | 387035297101 | | | SAC, TABAN ORTA KOSE | PLATE, BASE CENTER CORNER | 1 |
| 022 | 387035298101 | | | SAC, TABAN ORTA TEKER ARKASI | PLATE, BASE, BEHIND CENTER WHEEL | 1 |
| 023 | 387035299101 | | | SAC, TABAN ORTA 2 | PLATE, BASE CENTER 2 | 1 |
| 024 | 387035300201 | | | SAC, TABAN ORTA SAG | PLATE, BASE CENTER RIGHT | 1 |
| 025 | 387035301101 | | | SAC, ON KAPI ONU | PLATE, FRONT DOOR FRONT | 1 |
| 026 | 387042294101 | | | SAC, ON KAPI SOL | SHEET, FRONT DOOR LEFT | 1 |
| 027 | 387035428101 | | | SAC, TABAN ARKA KAPI | PLATE, BASE RR DOOR | 1 |
| 028 | 387036324301 | | | SAC, SOFOR CAMI ALTI | PLATE, DRIVER WINDOW LOWER | 1 |
| 031 | 387021802001 | | | SAC, YAKIT ALT DEPO KAPAGI | SHEET, LOWER FUEL TANK CAP | 1 |
| 032 | 300500005001 | | | SOMUN, AKB M5X0. 8, KALIN D. DIN934 | NUT, HEX M5X0. 8, COARSE T. DIN934 | 4 |
| 033 | 387036261101 | | | SAC, FRP ON TABAN BAGLANTI | PLATE, FRP, FRONT BASE CONNECT. | 1 |
| 034 | 387036262001 | | | SAC, MOTOR ODASI IC KAPAK SOL ORTA | SHEET, ENGINE ROOM LEFT CENTER | 1 |
| 035 | 387038751101 | | | SAC, ARKA TEKER KAPAMA | PLATE, RR WHEEL COVER | 1 |
| 036 | 387038756201 | | | SAC, SOL ARKA TEKER KOMPLESI | PLATE, LEFT RR WHEEL ASM. | 1 |
| 037 | 387038758201 | | | SAC, SAG ARKA TEKER KOMPLESI | PLATE, RIGHT RR OVER THE WHEEL | 1 |
| 039 | 387001364001 | | | SIZDIRMAZLIK BANDI | SEALING TAPE | 0.500 |

Floor And Seat Panels

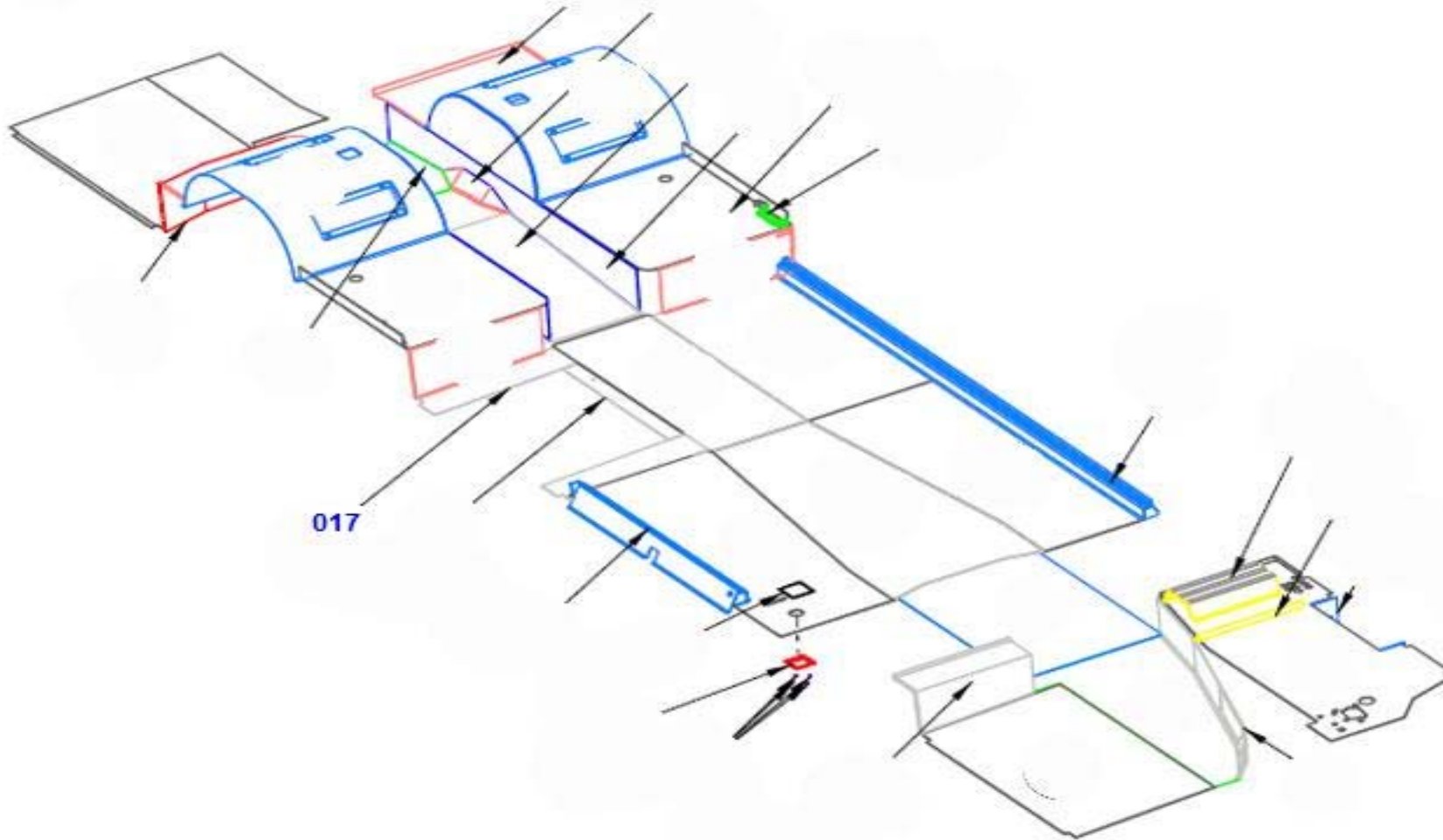
Exterior Trim

0605

0605

Exterior Trim

Floor And Seat Panels



Picture No: EPL349150100-01

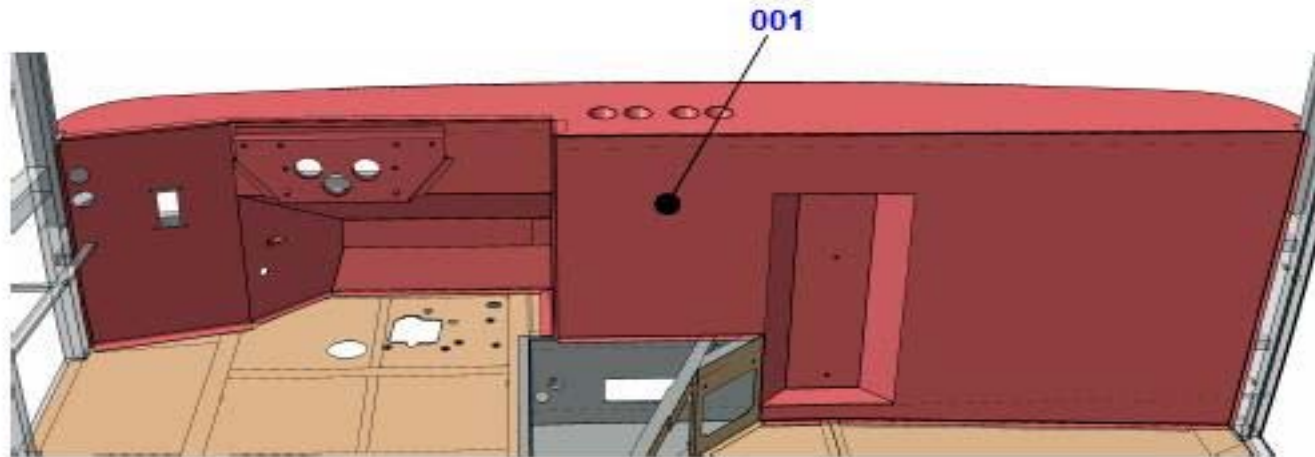
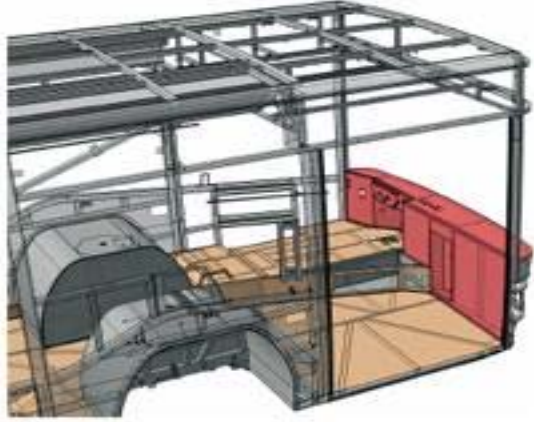


| POZ | Part No | N.S.N | Code | Part Name (Türkçe) | Part Name (English) | Quantity |
|-----------------------|--------------|-------|------|---|------------------------------|----------|
| 017 | 387035295201 | | | Floor And Seat Panels SAC, TABAN ORTA KAPI YAN | PLATE, BASE CENTER DOOR SIDE | 2 |
| Floor And Seat Panels | | | | Exterior Trim | | 0605 |

0606

Exterior Trim

Front Floor Panels



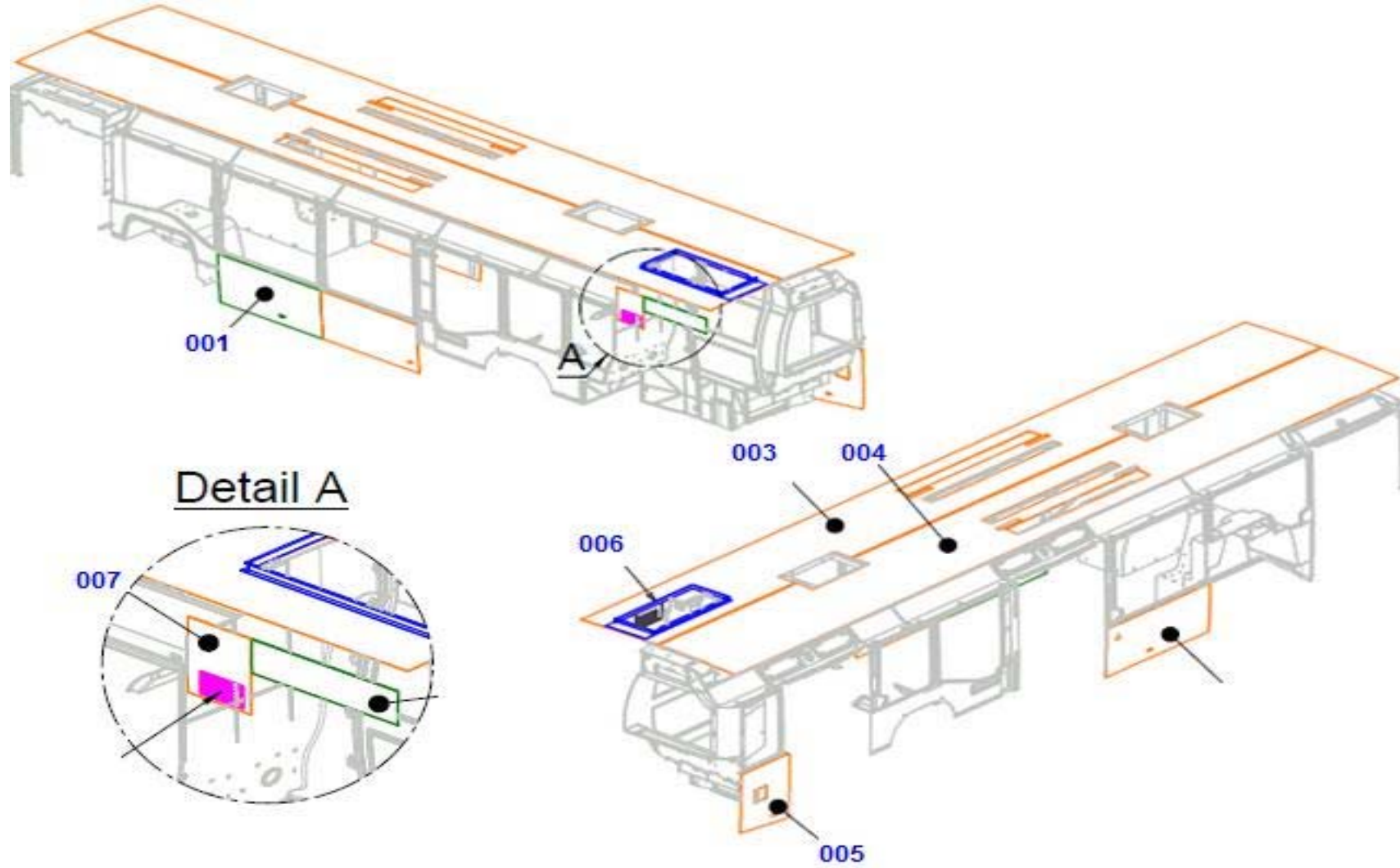
Picture No: EPLB3491601-00

| POZ | Part No | N.S.N | Code | Part Name (Türkçe) | Part Name (English) | Quantity |
|--------------------|--------------|-------|------|---|---------------------|----------|
| 001 | 387038752501 | | | <i>Front Floor Panels</i> ON KONSOL KOMPLE | FRONT CONSOLE ASM. | 1 |
| Front Floor Panels | | | | Exterior Trim | | 0606 |

0607

Exterior Trim

Exterior Panels, Front And Rear Masks

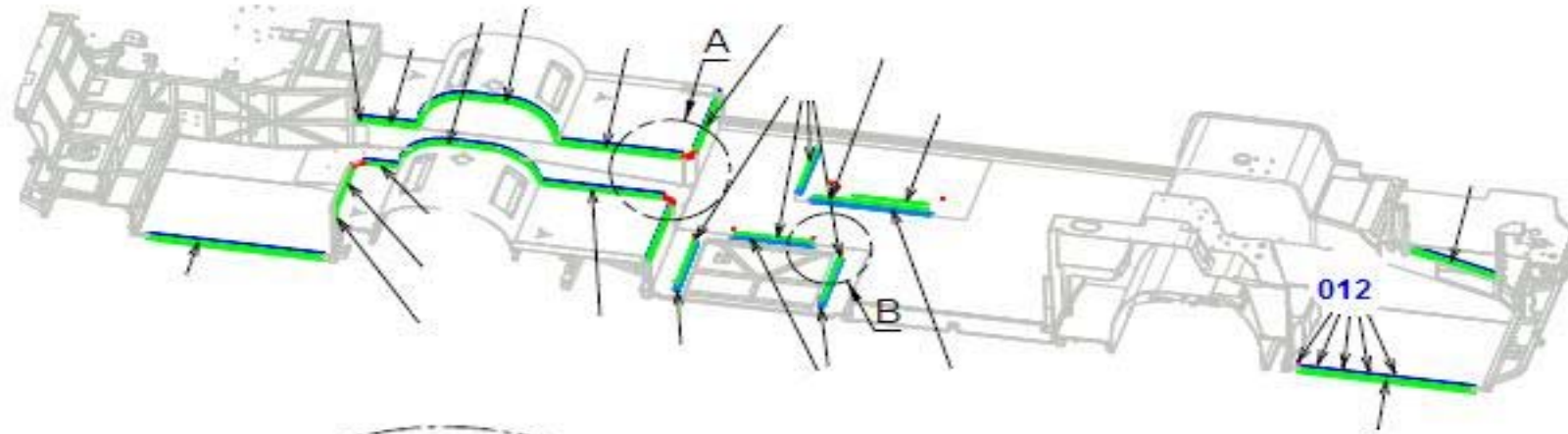


Picture No: EPL349210100-00

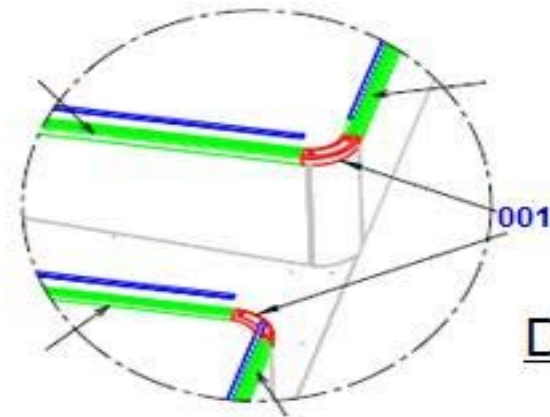
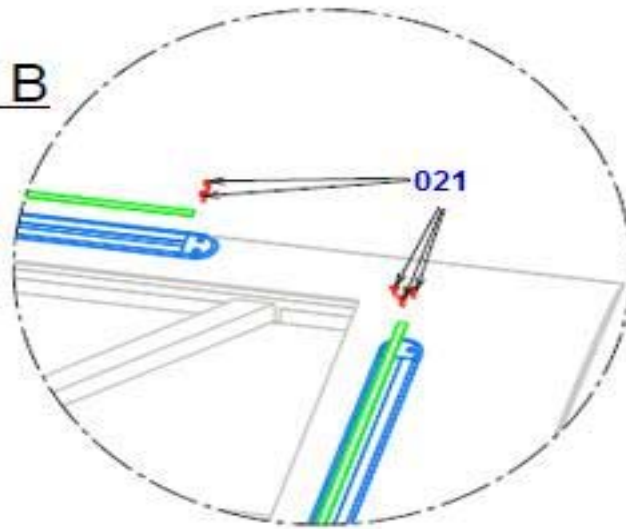
0608

Exterior Trim

Step Aluminium Lining



Detail B

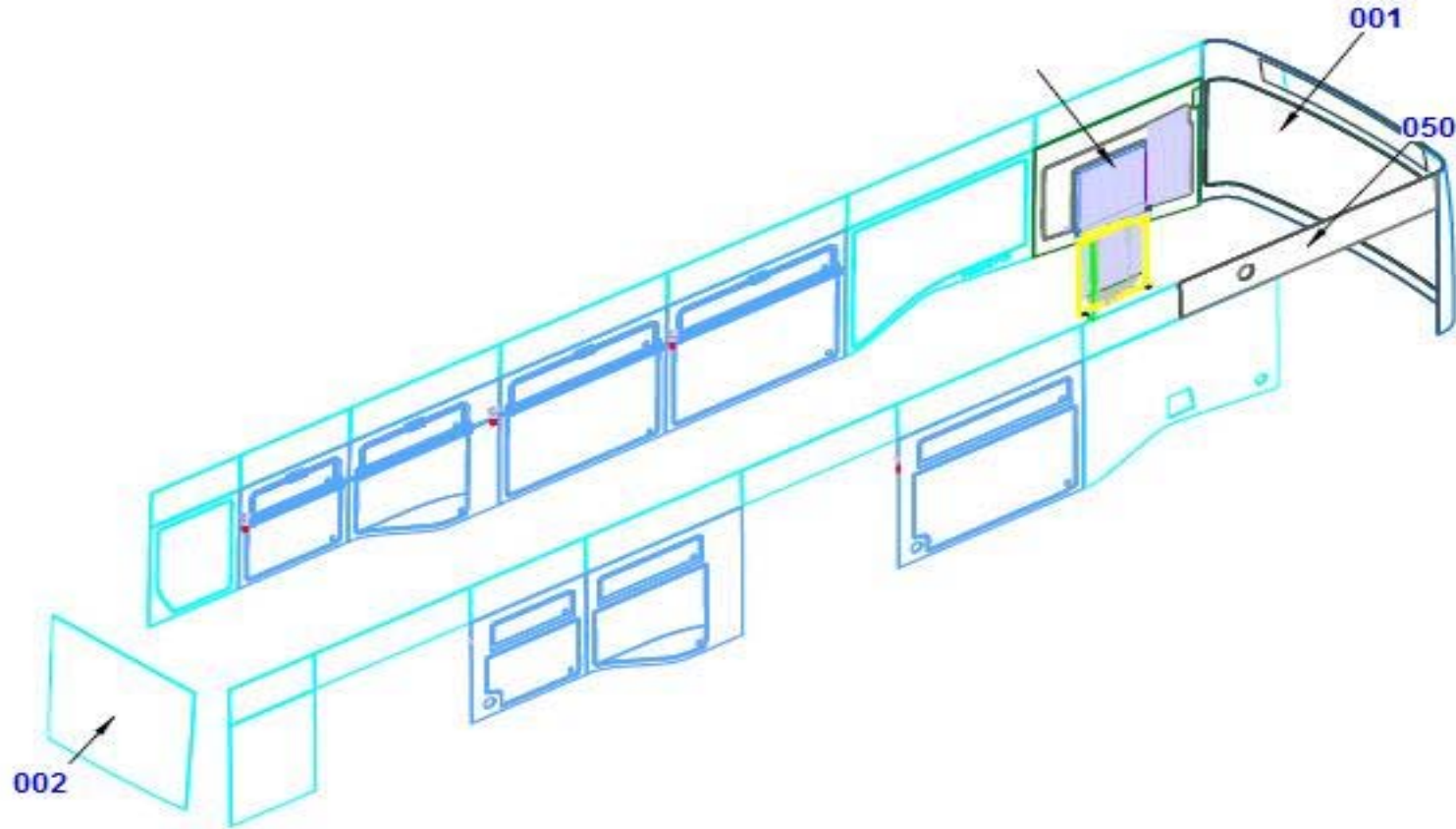


Detail A

Picture No: EPL349240100-00

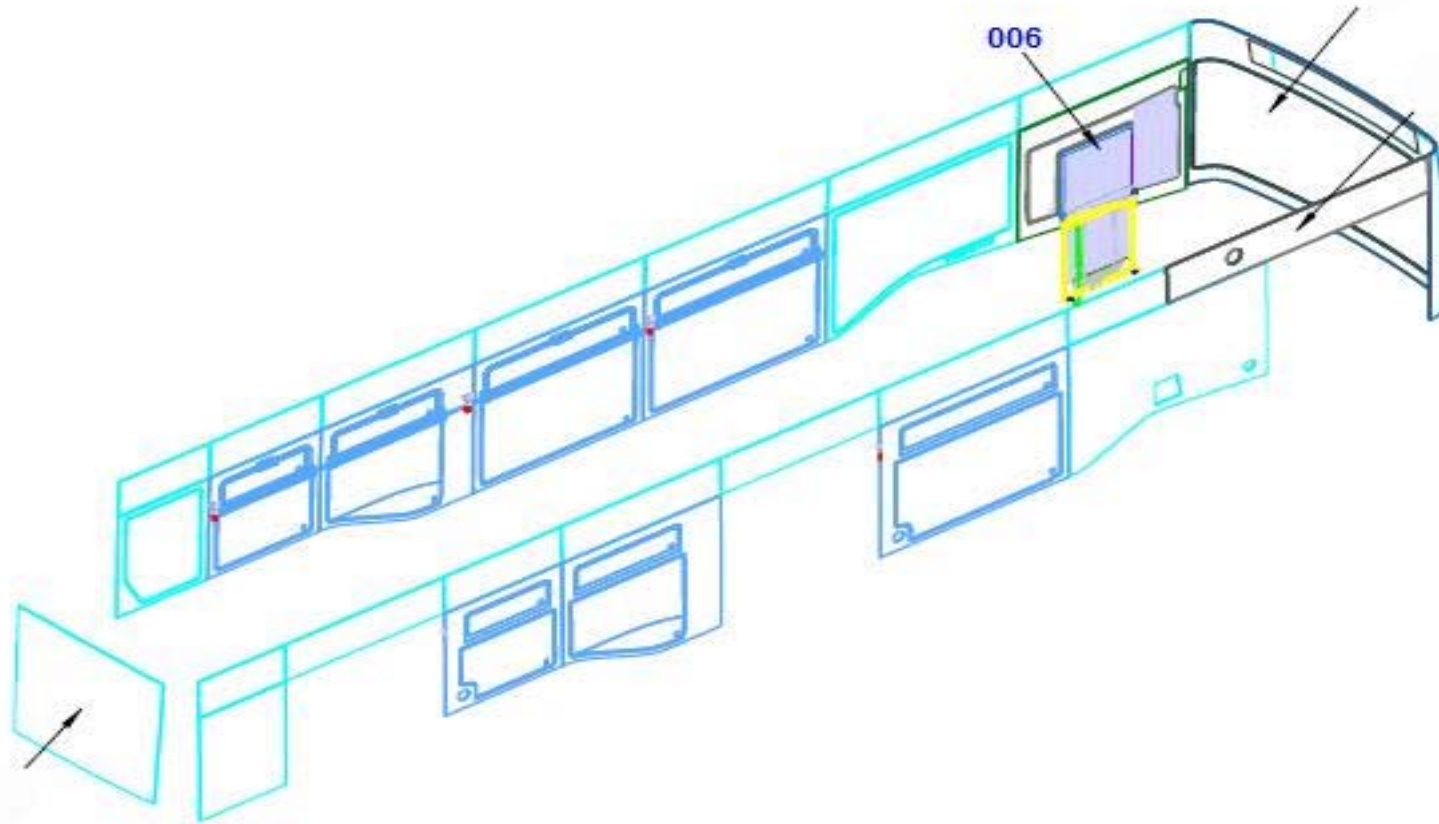


| POZ | Part No | N.S.N | Code | Part Name (Türkçe) | Part Name (English) | Quantity |
|-----------------------|--------------|-------|------|------------------------------|---------------------|----------|
| | | | | <i>Step Aluminium Lining</i> | | |
| 001 | 387036563001 | | | PVC, KOSE KAPAMA | SHEET, RIGHT SIDE | 3 |
| 012 | 301852913101 | | | SAC VIDASI | SELF TAPPING SCREW | 6 |
| 021 | 301833513101 | | | SAC VIDASI 3. 5x13 | SCREW | 30 |
| Step Aluminium Lining | | | | Exterior Trim | | 0608 |

0609**Exterior Trim****Glasses**

Picture No: EPL349340100-00

| POZ | Part No | N.S.N | Code | Part Name (Türkçe) | Part Name (English) | Quantity |
|-----|--------------|-------|------|--------------------------------|------------------------------|-------------|
| | | | | Glasses | | |
| 001 | 387045468001 | | | CAM, ON | WINDSHIELD | 1 |
| 002 | 387032695101 | | | CAM, ARKA | GLASS, REAR | 1 |
| 050 | 387032700101 | | | CAM, ON KAPI USTU, TABELA, SAG | GLASS, FRONT DOOR TOP, RIGHT | 1 |
| | | | | Glasses | Exterior Trim | 0609 |

0609**Exterior Trim****Glasses**

Picture No: EPL349340100-01

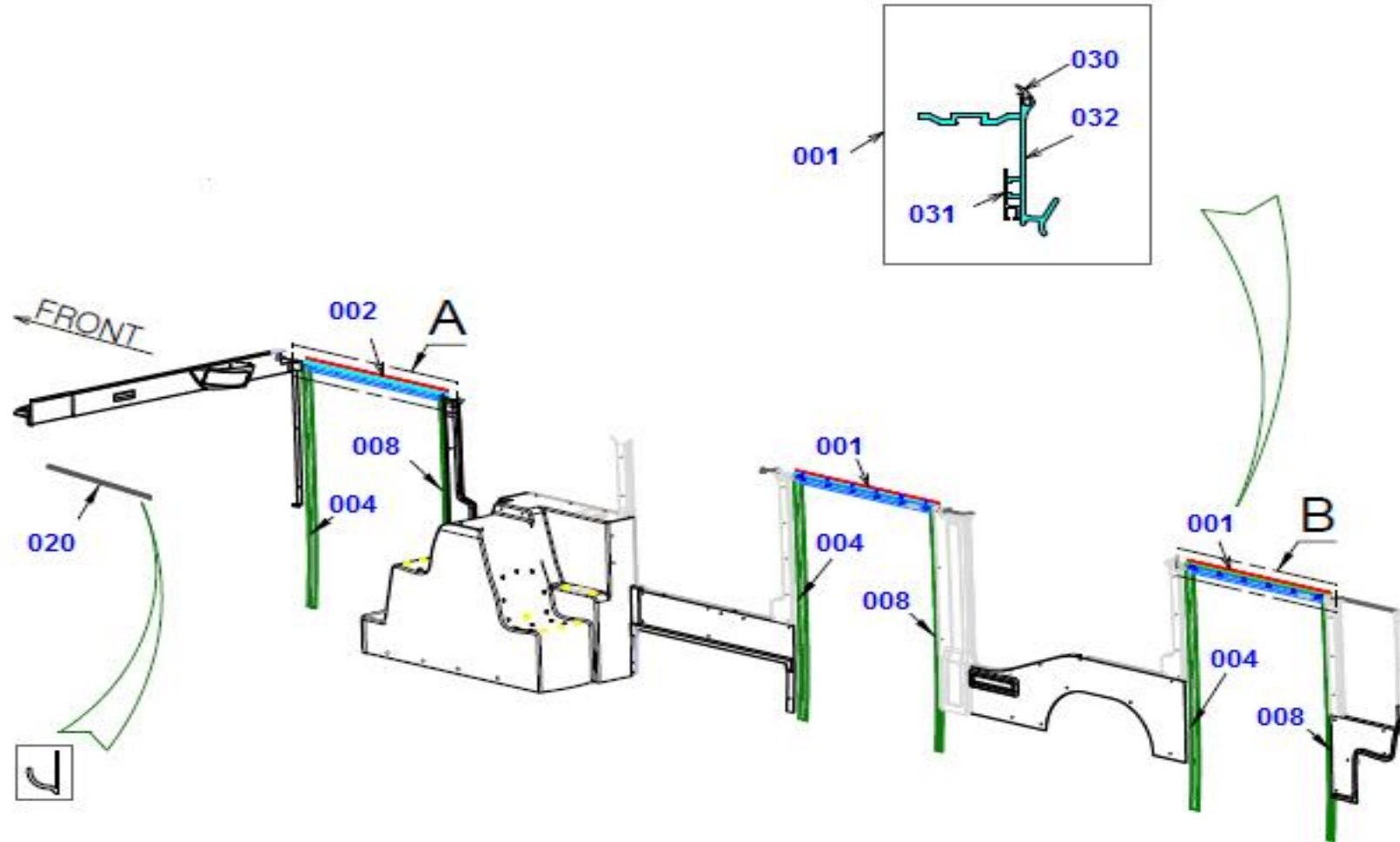


| POZ | Part No | N.S.N | Code | Part Name (Türkçe) | Part Name (English) | Quantity |
|-----|--------------|-------|------|--|---|-------------|
| | | | | <i>Glasses</i> | | |
| 006 | 387032719101 | | | CAM KOMPLESI, ELEKTRİK KUMANDALI | GLASS, ELECTRICALLY ACTUATED | 1 |
| 010 | 387034614001 | | | CAM SABIT, SURUCU | FIXED GLASS, DRIVER | 1 |
| 011 | 387034615101 | | | CAM TAHRIK MEKANİZMASI KOMPLESI | GLASS ACTUATING MECHANISM | 1 |
| 012 | 387034616001 | | | CAM HAREKETLİ, SURUCU | MOVABLE GLASS, DRIVER | 1 |
| 013 | 387034617101 | | | REZİSTNS KABLO KIVRMLI, ELEK.SURUCU CAMI | RESISTANCE CABLE, ELECTRIC DRIVER GLASS | 1 |
| 014 | 387034620001 | | | KARKAS ALT, ELEKTRİKLI SURUCU CAMI | CARCASS BOTTOM, DRIVER WINDOW | 1 |
| 015 | 300120616601 | | | CIVATA, FLN M6X1X16, KALIN D. DIN6921 | BOLT, FLN M6X1X16, COARSE T. DIN6921 | 2 |
| 060 | 301813525301 | | | VIDA M3. 5X25 | SCREW | 12 |
| 061 | 387004869001 | | | IMDAT ÇEKİCİ HAPPICH | EMERGENCY HAMMER | 6 |
| 062 | 387004870001 | | | IMDAT ÇEKİCİ TUTUCUSU HAPPICH | HOLDER, EMERGENCY HAMMER | 6 |
| 063 | 377774401001 | | | MUHUR TELİ (X11-000-002-027) | LOCKING WIRE | 0.750 |
| 064 | 377774400001 | | | İKİ DELİKLİ MUHUR(HW52-001)1999-92000015 | SEAL (HW52-001) | 6 |
| | | | | Glasses | Exterior Trim | 0609 |

0610

Exterior Trim

Door Aluminium & Rubbers



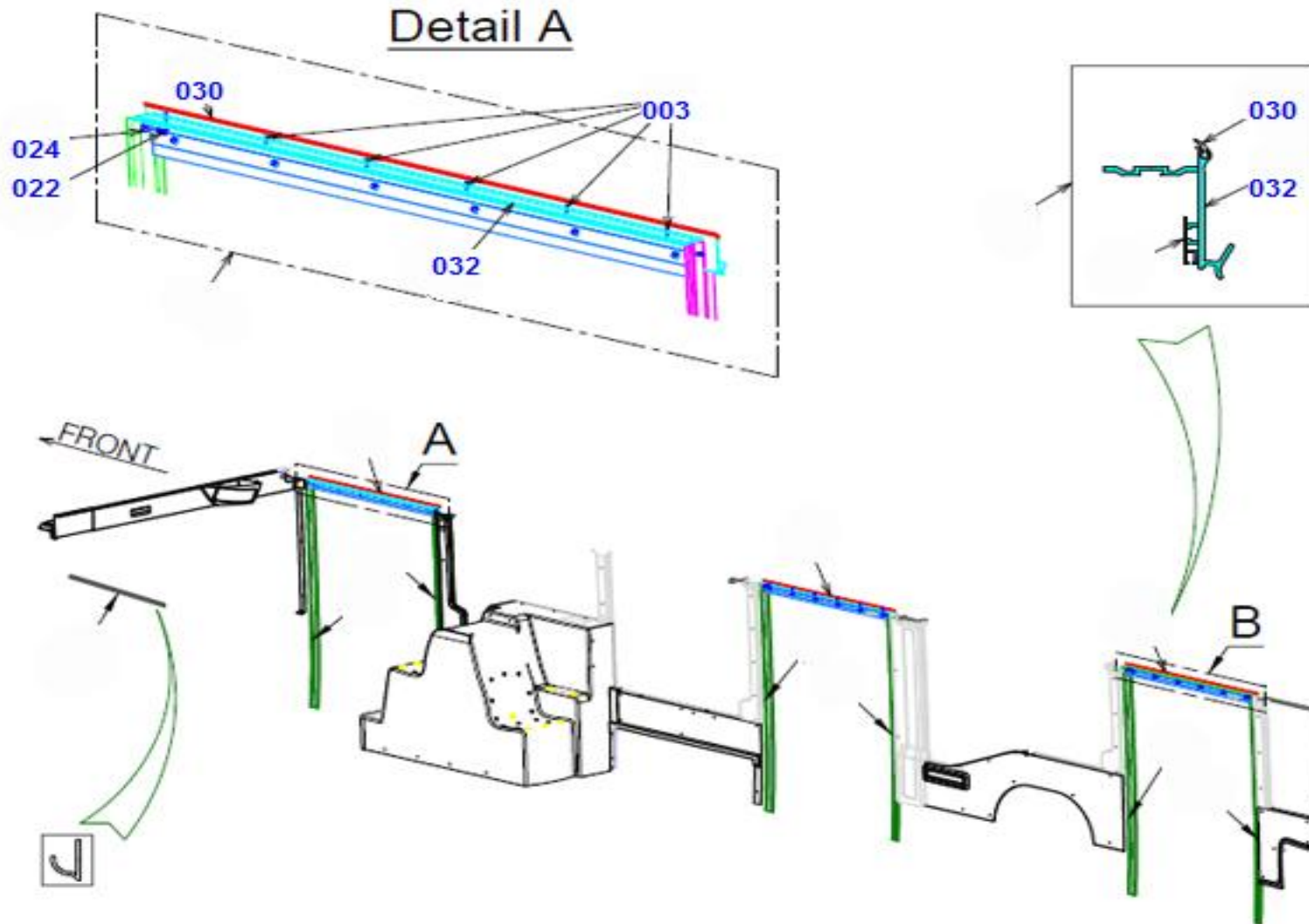
Picture No: EPL349230100-00

| POZ | Part No | N.S.N | Code | Part Name (Türkçe) | Part Name (English) | Quantity |
|-----|--------------|-------|------|-------------------------------------|------------------------------------|-------------|
| | | | | <i>Door Aluminium & Rubbers</i> | | |
| 001 | 387038212001 | | | YAGMURLUK VE FIRCA KOMPLE | RAINCOAT AND BRUSH | 2 |
| 002 | 387039049001 | | | FIRCA KOMPLE, ON KAPI USTU | BRUSH ASSEMBLY, FRONT DOOR | 1 |
| 004 | 387036093001 | | | LASTIK PROFIL, SAG | PROFILE, TIRE, RIGHT | 3 |
| 008 | 387036094001 | | | LASTIK PROFIL, SOL | PROFILE, TIRE, LEFT | 3 |
| 020 | 387022557001 | | | YAGMUR OLUGU PROFILI, SOFOR CAMI | RAIN GUTTER PROFILE, DRIVER WINDOW | 1 |
| 030 | 387022672001 | | | LASTIK, SIZDIRMAZLIK, ORTA KAPI | RUBBER, MIDDLE DOOR | 1 |
| 031 | 387022671001 | | | FIRCA, ORTA KAPI, KMP | BRUSH, MQ MIDDLE DOOR, ASM | 1 |
| 032 | 387038213001 | | | ALUMINYUM PROFIL | ALUMINIUM PROFILE | 1 |
| | | | | Door Aluminium & Rubbers | Exterior Trim | 0610 |

0610

Exterior Trim

Door Aluminium & Rubbers



Picture No: EPL349230100-01



| POZ | Part No | N.S.N | Code | Part Name (Türkçe) | Part Name (English) | Quantity |
|-----|--------------|-------|------|-------------------------------------|-------------------------------|----------|
| | | | | <i>Door Aluminium & Rubbers</i> | | |
| 003 | 301853516301 | | | VIDA | SCREW | 18 |
| 022 | 301894825301 | | | VIDA | SCREW | 6 |
| 024 | 301110006301 | | | RONDELA, DUZ D=6 DIN 9021 | WASHER, PLAIN D= 6 DIN 9021 | 6 |
| 030 | 387039261001 | | | LASTIK, SIZDIRMAZLIK, ON KAPI | RUBBER PROFILE, FRONT DOOR | 1 |
| 032 | 387039050001 | | | ALUMINYUM PROFIL, ON KAPI USTU | ALUMINIUM PROFILE, FRONT DOOR | 1 |

Door Aluminium & Rubbers

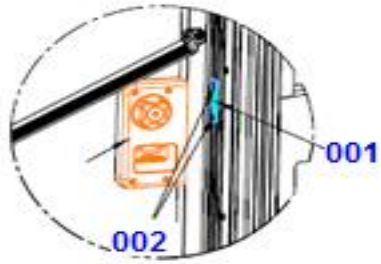
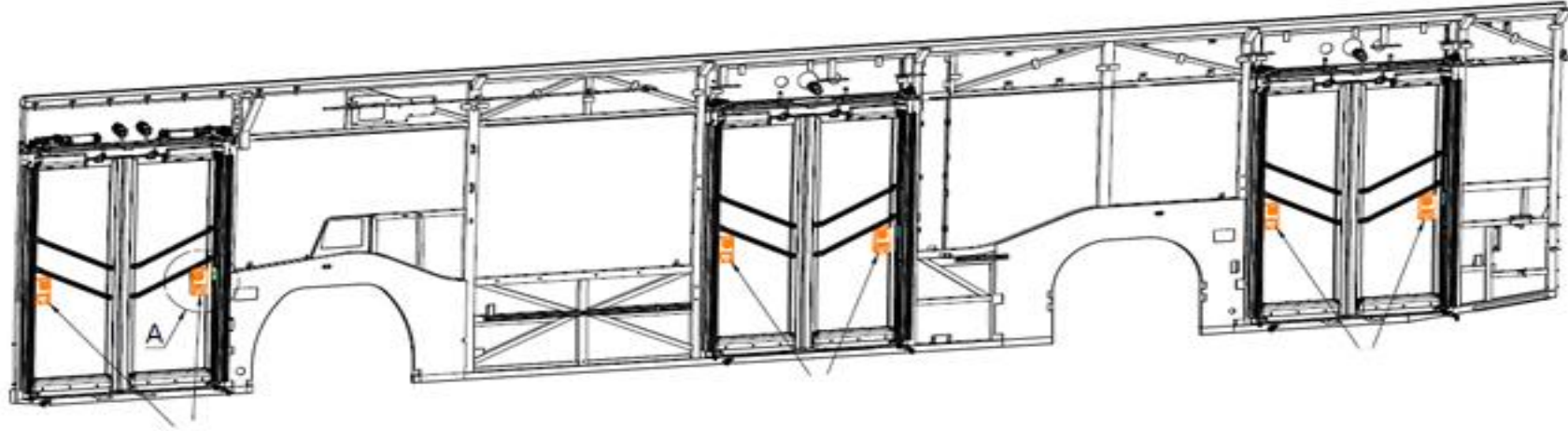
Exterior Trim

0610

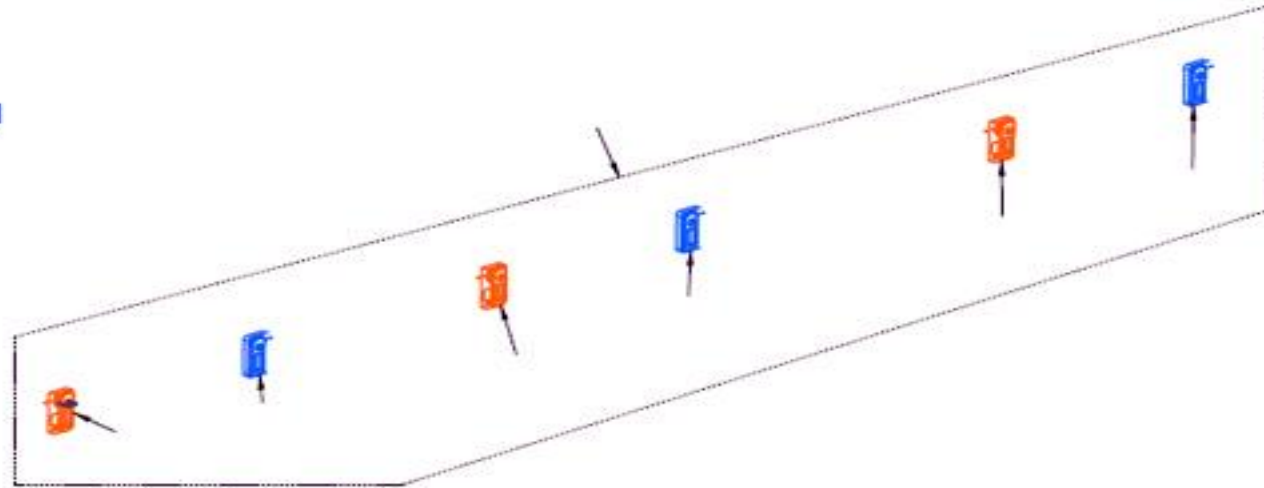
0611

Exterior Trim

Door Handle & Lock



A DETAYI



Picture No: EPLB3493701-00

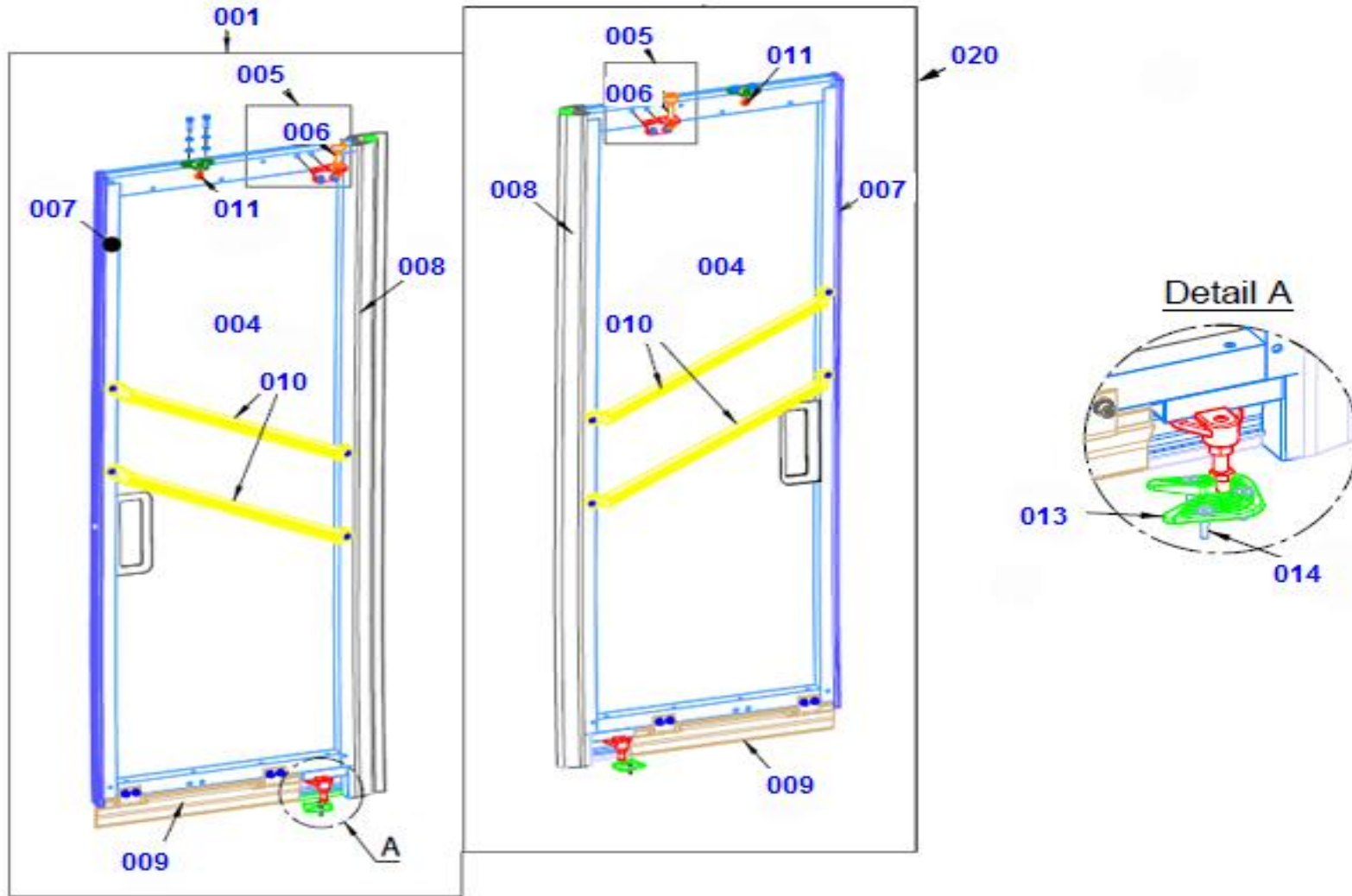


| POZ | Part No | N.S.N | Code | Part Name (Türkçe) | Part Name (English) | Quantity |
|--------------------|--------------|-------|------|-------------------------------|---------------------|----------|
| | | | | <i>Door Handle & Lock</i> | | |
| 001 | 377774544101 | | | KILIT KARSILIGI, KAPI | LOCK FACE, DOOR | 6 |
| 002 | 301700630101 | | | VIDA ALTI KOSE OYUKLU | SCREW | 12 |
| Door Handle & Lock | | | | Exterior Trim | | 0611 |

0612

Exterior Trim

Rh Front Door



Picture No: EPL349490100-00

| POZ | Part No | N.S.N | Code | Part Name (Türkçe) | Part Name (English) | Quantity |
|-----|--------------|-------|------|----------------------------------|--|----------|
| | | | | <i>Rh Front Door</i> | | |
| 001 | 387038181301 | | | KAPI KOMPLE ON KANAT | DOOR ASM. FRONT WING | 1 |
| 004 | 387039040101 | | | CAM, ON KAPI ON KANAT CIFT CAM | WINDOW, FRT DOOR FRT WING DBL GLAZING | 1 |
| 004 | 387038177101 | | | CAM, ON KAPI ARKA KANAT CIFT CAM | WINDOW, FRONT DOOR RR WING DBL GLAZING | 1 |
| 005 | 387041122001 | | | BRAKET KOMPLE, UST GEZER | REEL, TOP OVERHEAD | 1 |
| 006 | 387041123001 | | | BRAKET, KAPI UST GEZER, KAYNAKLI | BRACKET | 1 |
| 007 | 387038186001 | | | LASTIK PROFIL | PROFILE, RUBBER | 1 |
| 007 | 387038179001 | | | LASTIK PROFIL | PROFILE, RUBBER | 1 |
| 008 | 387038185001 | | | LASTIK PROFIL | PROFILE, RUBBER | 1 |
| 008 | 387038178001 | | | LASTIK PROFIL | PROFILE, RUBBER | 1 |
| 009 | 387038184001 | | | HARAKETLI FLAP KOMPLE | FLAP, ASSY. | 1 |
| 010 | 387038188001 | | | KORUGAN, KAPI | HANDRAIL, DOOR | 2 |
| 011 | 387038190001 | | | SISTEM KOMPLE, KAPI GERI ACMA | ROD, DOOR, ASSY. | 1 |
| 011 | 387038191001 | | | SISTEM KOMPLE, KAPI GERI ACMA | ROD, DOOR, ASSY. | 1 |
| 013 | 387043164001 | | | MERKEZLEME YATAGI KOMPLE | CENTERING BED ASM | 6 |
| 014 | 301700630101 | | | VIDA ALTI KOSE OYUKLU | SCREW | 12 |
| 020 | 387038175301 | | | KAPI KOMPLE ARKA KANAT | DOOR ASM. RR WING | 1 |

Rh Front Door

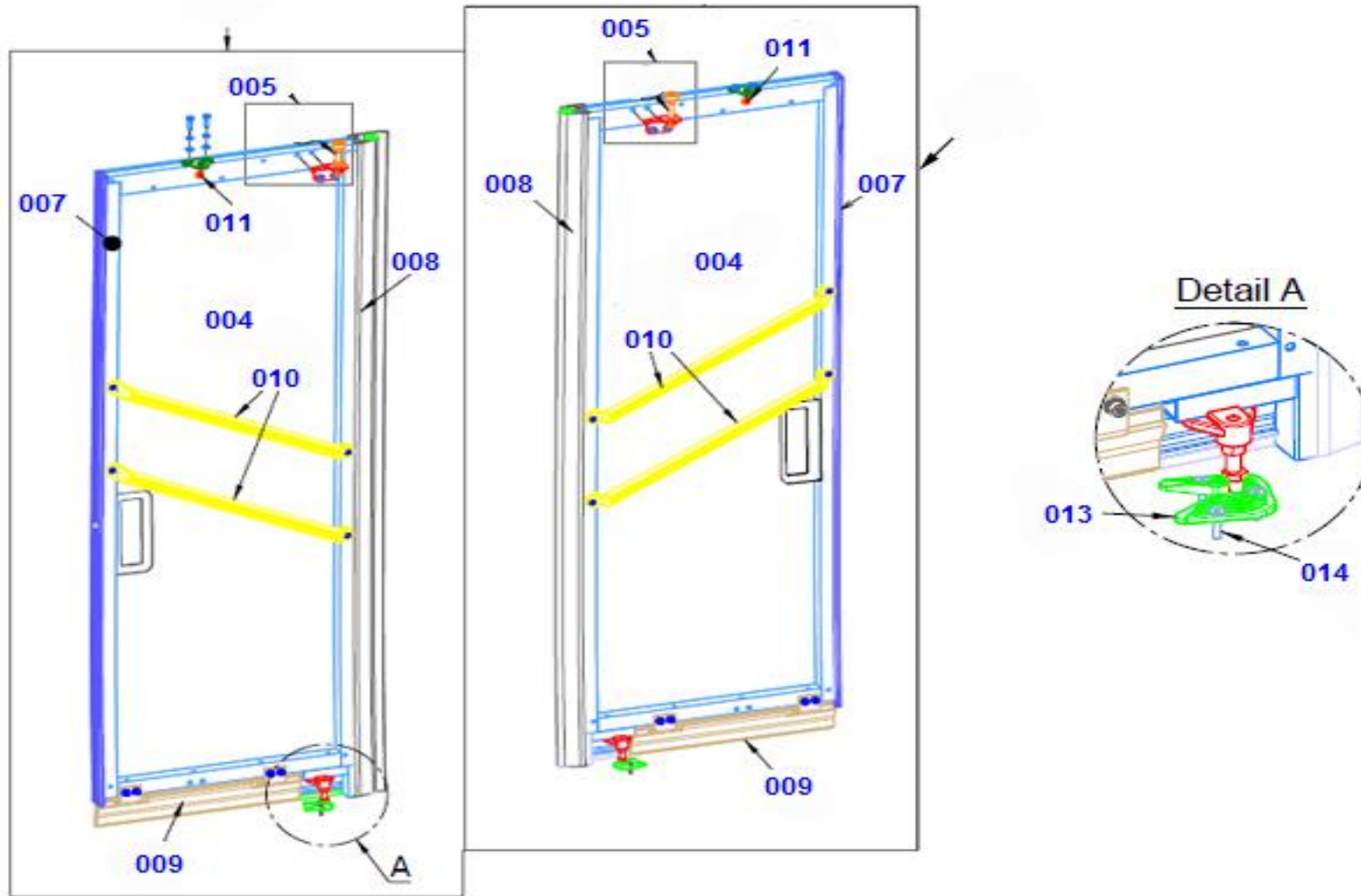
Exterior Trim

0612

0613

Exterior Trim

Rear Door



Picture No: EPL349500100-00



| POZ | Part No | N.S.N | Code | Part Name (Türkçe) | Part Name (English) | Quantity |
|-----|--------------|-------|------|-------------------------------|---------------------|----------|
| | | | | <i>Rear Door</i> | | |
| 004 | 387038192101 | | | CAM, ON KANAT | GLASS, FRONT DOOR | 1 |
| 004 | 387038193101 | | | CAM, ARKA KANAT | GLASS, MIDDLE DOOR | 1 |
| 005 | 387041124001 | | | UST GEZER RAY VIDASI KOMPLE | SCREW | 1 |
| 005 | 387041122001 | | | BRAKET KOMPLE, UST GEZER | REEL, TOP OVERHEAD | 1 |
| 007 | 387038186001 | | | LASTIK PROFIL | PROFILE, RUBBER | 1 |
| 007 | 387038179001 | | | LASTIK PROFIL | PROFILE, RUBBER | 1 |
| 008 | 387038185001 | | | LASTIK PROFIL | PROFILE, RUBBER | 1 |
| 008 | 387038178001 | | | LASTIK PROFIL | PROFILE, RUBBER | 1 |
| 009 | 387038184001 | | | HARAKETLI FLAP KOMPLE | FLAP, ASSY. | 1 |
| 010 | 387038188001 | | | KORUGAN, KAPI | HANDRAIL, DOOR | 2 |
| 011 | 387038190001 | | | SISTEM KOMPLE, KAPI GERI ACMA | ROD, DOOR, ASSY. | 1 |
| 011 | 387038191001 | | | SISTEM KOMPLE, KAPI GERI ACMA | ROD, DOOR, ASSY. | 1 |
| 013 | 387043164001 | | | MERKEZLEME YATAGI KOMPLE | CENTERING BED ASM | 2 |
| 014 | 301700630101 | | | VIDA ALTI KOSE OYUKLU | SCREW | 6 |

Rear Door

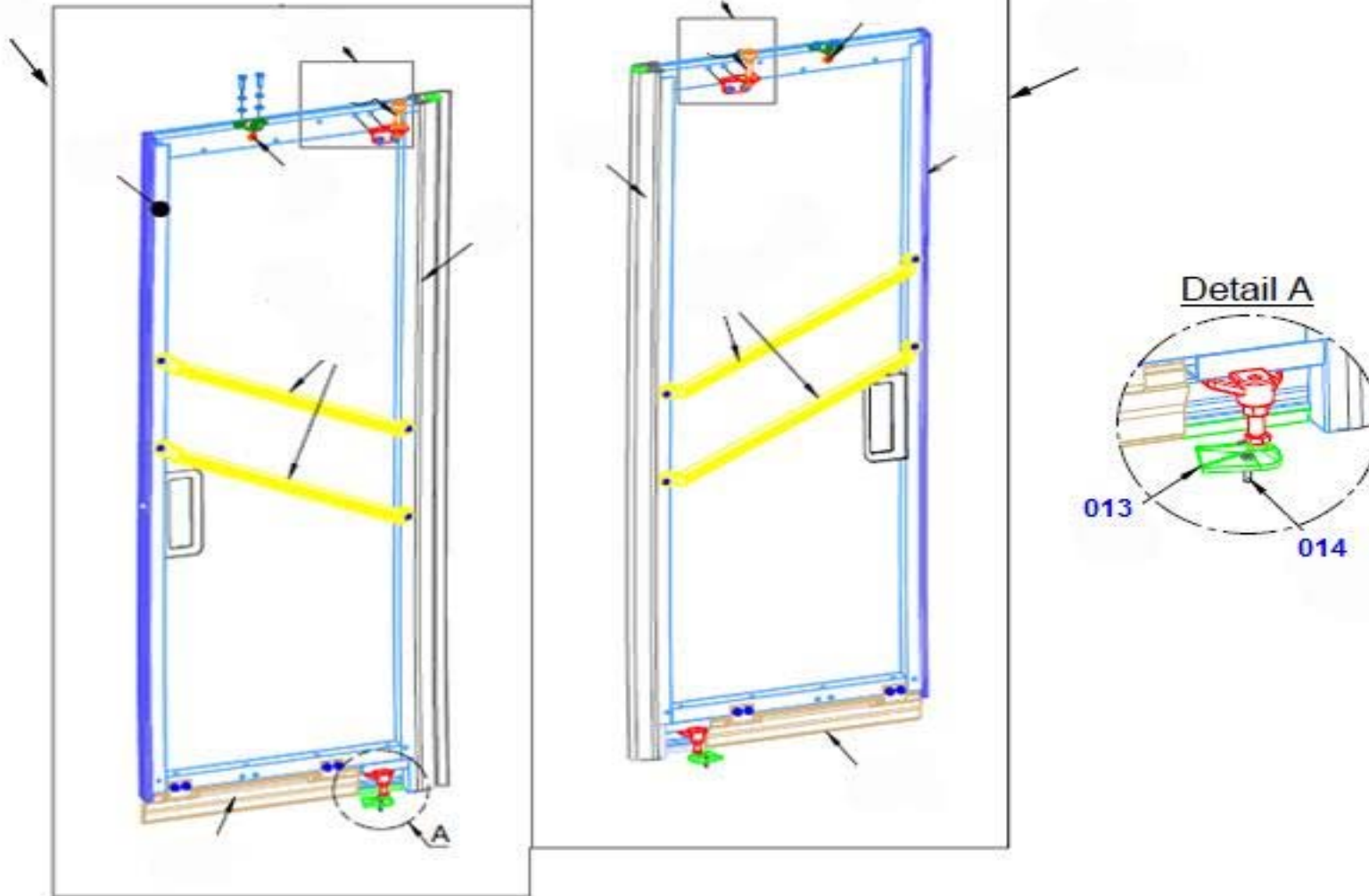
Exterior Trim

0613

0614

Exterior Trim

Middle Door



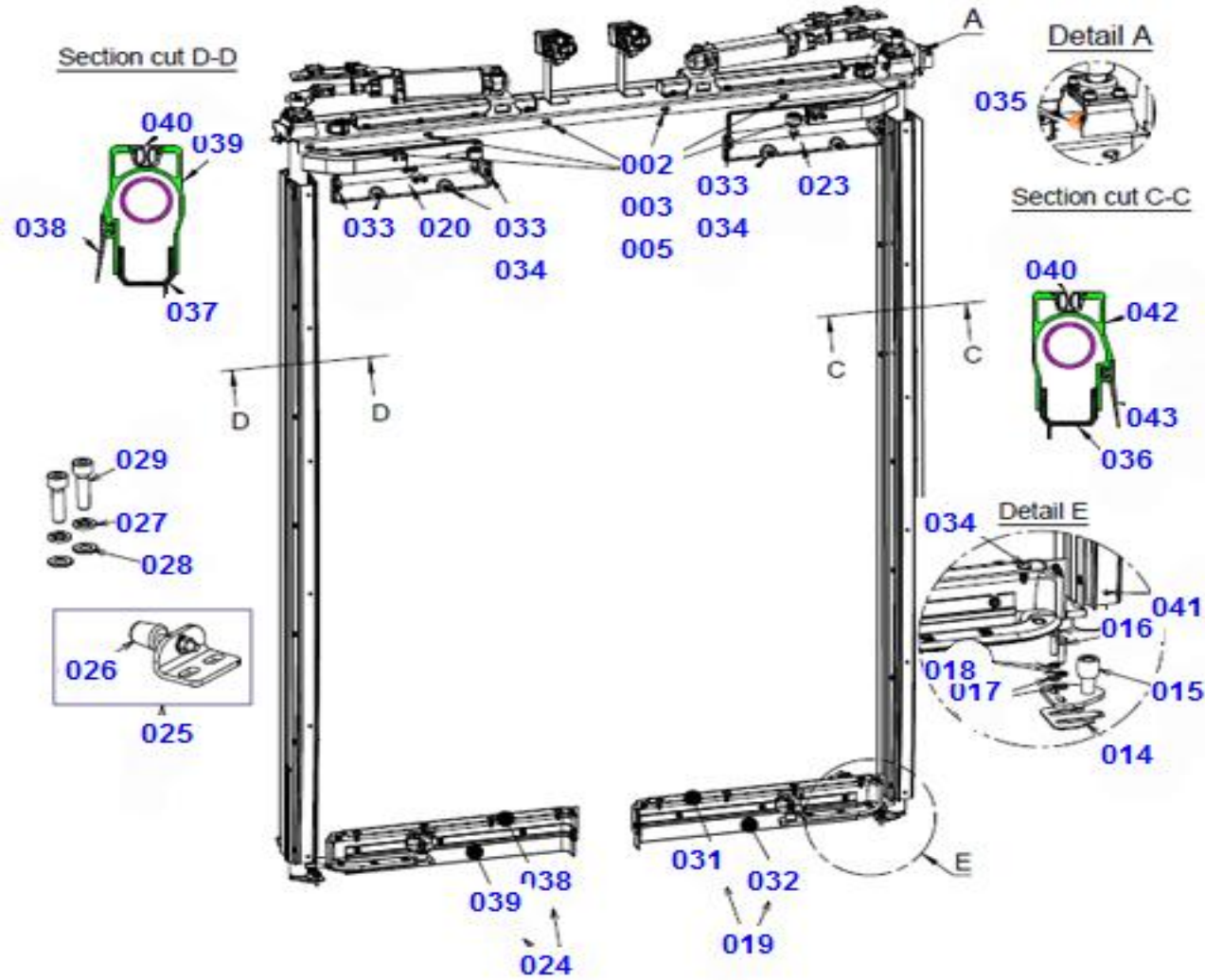
Picture No: EPL349640100-00

| POZ | Part No | N.S.N | Code | Part Name (Türkçe) | Part Name (English) | Quantity |
|-------------|--------------|-------|------|-------------------------------|---------------------|----------|
| | | | | <i>Middle Door</i> | | |
| 013 | 387043164001 | | | MERKEZLEME YATAGI KOMPLE | CENTERING BED ASM | 2 |
| 014 | 301700616301 | | | VIDA ALTI KOSE OYUKLU (M6x16) | SCREW | 6 |
| Middle Door | | | | Exterior Trim | | 0614 |

0615

Exterior Trim

Front Door Mechanism



Picture No: EPL349510100-00

| POZ | Part No | N.S.N | Code | Part Name (Türkçe) | Part Name (English) | Quantity |
|-----|--------------|-------|------|---|---|----------|
| | | | | <i>Front Door Mechanism</i> | | |
| 002 | 300010820201 | | | CIVATA, AKB M8X1. 25X20, KALIN D. DIN933 | BOLT, HEX M8X1. 25X20, COARSE T. DIN933 | 8 |
| 003 | 301010008201 | | | RONDELA, YAYLI D=8 DIN 127 | WASHER, SPRING D= 8 DIN 127 | 8 |
| 005 | 301000008201 | | | RONDELA, DUZ D=8 DIN 125 | WASHER, PLAIN D= 8 DIN 125 | 8 |
| 014 | 387038955001 | | | MESAFE AYAR LAMASI | DISTANCE ADJUSTMENT REGULATED | 2 |
| 015 | 387038220001 | | | AYAK BRAKETI KOMPLE, DONDURME KOLU ALT | BRACKET, CRANK HANDLE BOTTOM | 2 |
| 016 | 300010830201 | | | CIVATA, AKB M8X1. 25X30, KALIN D. DIN933 | BOLT, HEX M8X1. 25X30, COARSE T. DIN933 | 4 |
| 017 | 301000008201 | | | RONDELA, DUZ D=8 DIN 125 | WASHER, PLAIN D= 8 DIN 125 | 4 |
| 018 | 301010008201 | | | RONDELA, YAYLI D=8 DIN 127 | WASHER, SPRING D= 8 DIN 127 | 4 |
| 019 | 387038214001 | | | KAPAMA KOMPLE, ON KAPI ALT | COVER, FRONT DOOR BOTTOM | 1 |
| 020 | 387025006201 | | | ABS, KAPI UST KAPAMA SOL | ABS, DOOR TOP COVER LEFT | 1 |
| 023 | 387025004201 | | | KAPAMA KOMPLE, ON KAPI UST | PROFILE ASM. FRONT DOOR TOP | 1 |
| 024 | 387038217001 | | | KAPAMA KOMPLE, ARKA KANAT ALT | COVER, REAR WING BOTTOM | 1 |
| 025 | 387023466001 | | | DAYAMA KOMPLE, ON KAPI ALT DIRSEK | ELBOW, FRONT DOOR | 2 |
| 026 | 387022659001 | | | TAKOZ, KOL DAYAMA, M6 | BLOCK, ARMREST | 1 |
| 027 | 301010008201 | | | RONDELA, YAYLI D=8 DIN 127 | WASHER, SPRING D= 8 DIN 127 | 4 |
| 028 | 301000008201 | | | RONDELA, DUZ D=8 DIN 125 | WASHER, PLAIN D= 8 DIN 125 | 8 |
| 029 | 300090830301 | | | CIVATA, SLB M8X30, KALIN D. DIN912 | BOLT, SOCKET M8X30, COARSE T. DIN912 | 4 |
| 031 | 387038215001 | | | ABS KAPAMA, ON KANAT ALT | ABS COVER, FRONT WING BOTTOM | 1 |
| 032 | 387038216001 | | | ALT KAPAMA LASTIK+PROFIL KOMPLE, ON KANAT | LOWER COVER RUBBER, PROFILE, FRONT WING | 1 |
| 033 | 387024991001 | | | DUBEL, PLASTIK, SIYAH | RETAINER | 20 |
| 034 | 387024992001 | | | CIVATA, PLASTIK, SIYAH | BOLT, PLASTIC, BLACK | 20 |
| 035 | 387027740001 | | | GROMET | GROMMET | 2 |
| 036 | 387035099001 | | | BAGLANTI PROFILI | CONNECTION PROFILE | 1 |
| 037 | 387035096001 | | | BAGLANTI PROFILI | CONNECTION PROFILE | 1 |
| 038 | 387038218001 | | | ABS KAPAMA, ARKA KANAT ALT | ABS COVER, REAR WING BOTTOM | 1 |
| 038 | 387039412001 | | | LASTIK PROFIL | PROFILE, RUBBER | 1 |
| 039 | 387038219001 | | | ALT KAPAMA LASTIK+PROFIL KMPL, ARKA KANAT | LOWER COVER RUBBER, PROFILE, REAR WING | 1 |
| 039 | 387035092001 | | | DIREK KAPAMA PROFILI | PROFILE DIRECT OFF | 1 |

Front Door Mechanism

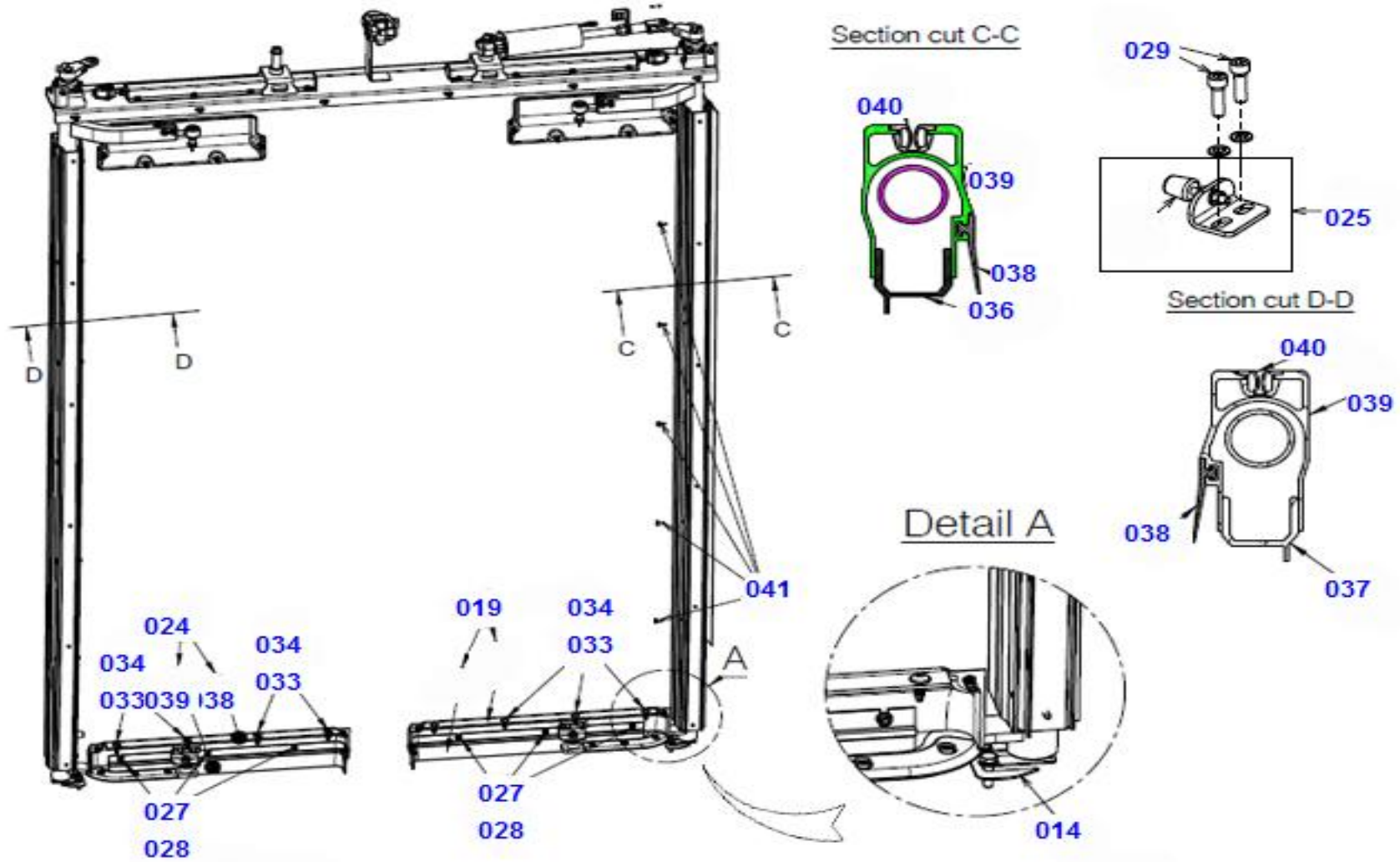
Exterior Trim

0615

0616

Exterior Trim

Rear Door Mechanism



Picture No: EPL349520100-00



| POZ | Part No | N.S.N | Code | Part Name (Türkçe) | Part Name (English) | Quantity |
|-----|--------------|-------|------|------------------------------------|--------------------------------------|----------|
| | | | | <i>Rear Door Mechanism</i> | | |
| 014 | 387038955001 | | | MESAFE AYAR LAMASI | DISTANCE ADJUSTMENT REGULATED | 2 |
| 019 | 387038214001 | | | KAPAMA KOMPLE, ON KAPI ALT | COVER, FRONT DOOR BOTTOM | 1 |
| 024 | 387038217001 | | | KAPAMA KOMPLE, ARKA KANAT ALT | COVER, REAR WING BOTTOM | 1 |
| 025 | 387023466001 | | | DAYAMA KOMPLE, ON KAPI ALT DIRSEK | ELBOW, FRONT DOOR | 2 |
| 027 | 301010008201 | | | RONDELA, YAYLI D=8 DIN 127 | WASHER, SPRING D= 8 DIN 127 | 4 |
| 028 | 301000008201 | | | RONDELA, DUZ D=8 DIN 125 | WASHER, PLAIN D= 8 DIN 125 | 8 |
| 029 | 300090830301 | | | CIVATA, SLB M8X30, KALIN D. DIN912 | BOLT, SOCKET M8X30, COARSE T. DIN912 | 4 |
| 033 | 387024991001 | | | DUBEL, PLASTIK, SIYAH | RETAINER | 20 |
| 034 | 387024992001 | | | CIVATA, PLASTIK, SIYAH | BOLT, PLASTIC, BLACK | 20 |
| 036 | 387035099001 | | | BAGLANTI PROFILI | CONNECTION PROFILE | 1 |
| 037 | 387035096001 | | | BAGLANTI PROFILI | CONNECTION PROFILE | 1 |
| 038 | 387039412001 | | | LASTIK PROFIL | PROFILE, RUBBER | 2 |
| 039 | 387035092001 | | | DIREK KAPAMA PROFILI | PROFILE DIRECT OFF | 2 |
| 040 | 387046692001 | | | PROFIL, TESETTUR CAM YUVASI | PROFILE, GLASS FIXING | 2 |
| 041 | 301894816301 | | | ROND. SAC VIDA 4. 8X16 | WASHER | 40 |

Rear Door Mechanism

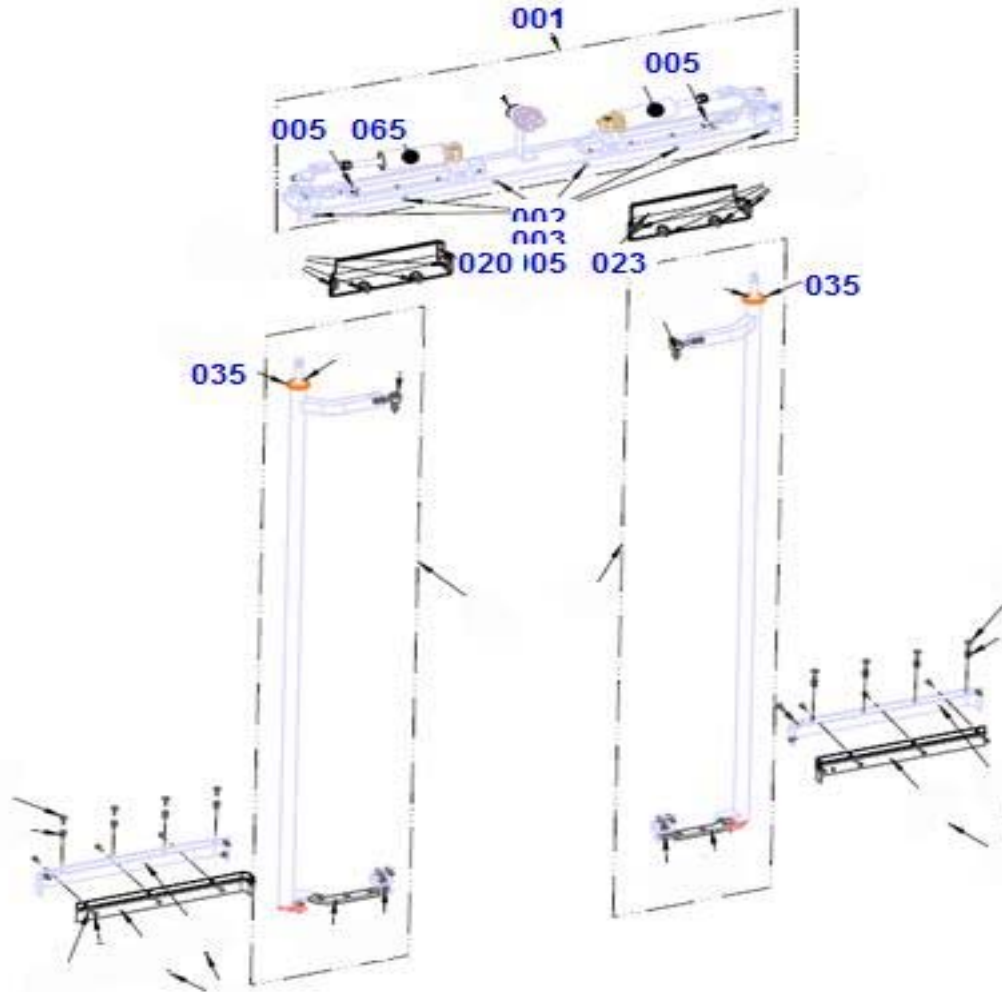
Exterior Trim

0616

0616

Exterior Trim

Rear Door Mechanism



Picture No: EPL349520200-00

| POZ | Part No | N.S.N | Code | Part Name (Türkçe) | Part Name (English) | Quantity |
|-----|--------------|-------|------|--|--|----------|
| | | | | <i>Rear Door Mechanism</i> | | |
| 001 | 387038210201 | | | PISTON MEKANIZMA GR.KOMP, ORTA ARKA KAPI | PISTON MECHANISM GR ASM. CENTER RR DOOR | 1 |
| 002 | 300010820201 | | | CIVATA, AKB M8X1. 25X20, KALIN D. DIN933 | BOLT, HEX M8X1. 25X20, COARSE T. DIN933 | 8 |
| 003 | 301010008201 | | | RONDELA, YAYLI D=8 DIN 127 | WASHER, SPRING D= 8 DIN 127 | 8 |
| 005 | 387022659001 | | | TAKOZ, KOL DAYAMA, M6 | BLOCK, ARMREST | 2 |
| 005 | 301000008201 | | | RONDELA, DUZ D=8 DIN 125 | WASHER, PLAIN D= 8 DIN 125 | 8 |
| 020 | 387025006201 | | | ABS, KAPI UST KAPAMA SOL | ABS, DOOR TOP COVER LEFT | 1 |
| 023 | 387025004201 | | | KAPAMA KOMPLE, ON KAPI UST | PROFILE ASM. FRONT DOOR TOP | 1 |
| 035 | 387027740001 | | | GROMET | GROMMET | 2 |
| 063 | 387022660001 | | | PISTON, YASTIKLI YATAY 140 STROK SWITCHL | PISTON, PADDED SWITCH HORIZONTAL STROKE | 1 |
| 065 | 387022663001 | | | PISTON, YASTIKLI YATAY 140 STROK SWITCHS | PISTON, NOT PADDED SWITCH HORIZONTAL STR | 1 |

Rear Door Mechanism

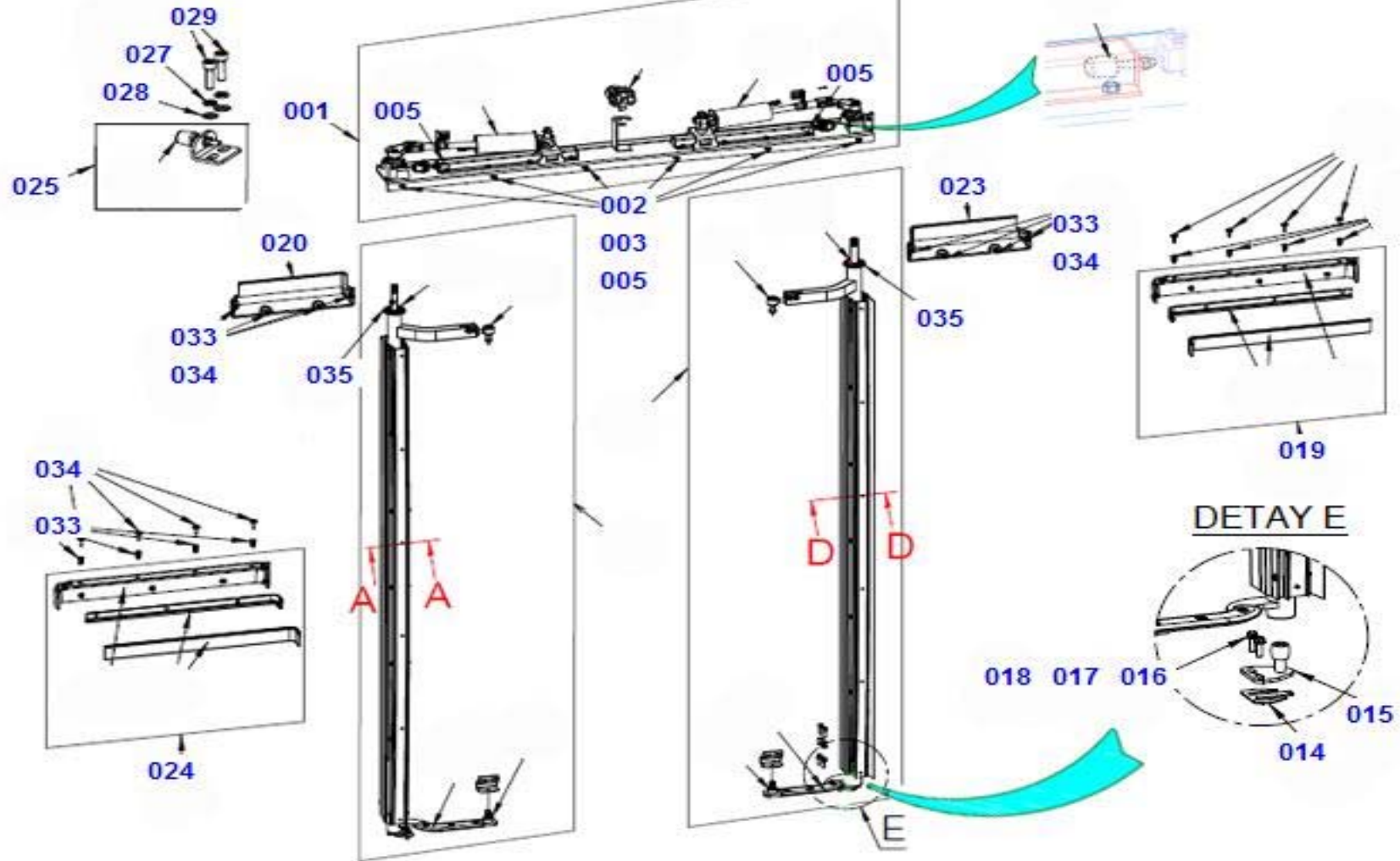
Exterior Trim

0616

0617

Exterior Trim

Middle Door Mechanism



Picture No: EPL349650100-00



| POZ | Part No | N.S.N | Code | Part Name (Türkçe) | Part Name (English) | Quantity |
|-----|--------------|-------|------|--|---|----------|
| | | | | <i>Middle Door Mechanism</i> | | |
| 001 | 387038210201 | | | PISTON MEKANİZMA GR.KOMP, ORTA ARKA KAPI | PISTON MECHANISM GR ASM. CENTER RR DOOR | 1 |
| 002 | 300010820201 | | | CIVATA, AKB M8X1. 25X20, KALIN D. DIN933 | BOLT, HEX M8X1. 25X20, COARSE T. DIN933 | 8 |
| 003 | 301010008201 | | | RONDELA, YAYLI D=8 DIN 127 | WASHER, SPRING D= 8 DIN 127 | 8 |
| 005 | 301000008201 | | | RONDELA, DUZ D=8 DIN 125 | WASHER, PLAIN D= 8 DIN 125 | 8 |
| 014 | 387038955001 | | | MESAFE AYAR LAMASI | DISTANCE ADJUSTMENT REGULATED | 2 |
| 015 | 387038220001 | | | AYAK BRAKETI KOMPLE, DONDURME KOLU ALT | BRACKET, CRANK HANDLE BOTTOM | 2 |
| 016 | 300010830201 | | | CIVATA, AKB M8X1. 25X30, KALIN D. DIN933 | BOLT, HEX M8X1. 25X30, COARSE T. DIN933 | 4 |
| 017 | 301000008201 | | | RONDELA, DUZ D=8 DIN 125 | WASHER, PLAIN D= 8 DIN 125 | 4 |
| 018 | 301010008201 | | | RONDELA, YAYLI D=8 DIN 127 | WASHER, SPRING D= 8 DIN 127 | 4 |
| 019 | 387038214001 | | | KAPAMA KOMPLE, ON KAPI ALT | COVER, FRONT DOOR BOTTOM | 1 |
| 020 | 387025006201 | | | ABS, KAPI UST KAPAMA SOL | ABS, DOOR TOP COVER LEFT | 1 |
| 023 | 387025004201 | | | KAPAMA KOMPLE, ON KAPI UST | PROFILE ASM. FRONT DOOR TOP | 1 |
| 024 | 387038217001 | | | KAPAMA KOMPLE, ARKA KANAT ALT | COVER, REAR WING BOTTOM | 1 |
| 025 | 387023466001 | | | DAYAMA KOMPLE, ON KAPI ALT DIRSEK | ELBOW, FRONT DOOR | 2 |
| 027 | 301010008201 | | | RONDELA, YAYLI D=8 DIN 127 | WASHER, SPRING D= 8 DIN 127 | 8 |
| 028 | 301000008201 | | | RONDELA, DUZ D=8 DIN 125 | WASHER, PLAIN D= 8 DIN 125 | 4 |
| 029 | 300090830301 | | | CIVATA, SLB M8X30, KALIN D. DIN912 | BOLT, SOCKET M8X30, COARSE T. DIN912 | 4 |
| 033 | 387024991001 | | | DUBEL, PLASTIK, SIYAH | RETAINER | 20 |
| 034 | 387024992001 | | | CIVATA, PLASTIK, SIYAH | BOLT, PLASTIC, BLACK | 20 |
| 035 | 387027740001 | | | GROMET | GROMMET | 2 |

Middle Door Mechanism

Exterior Trim

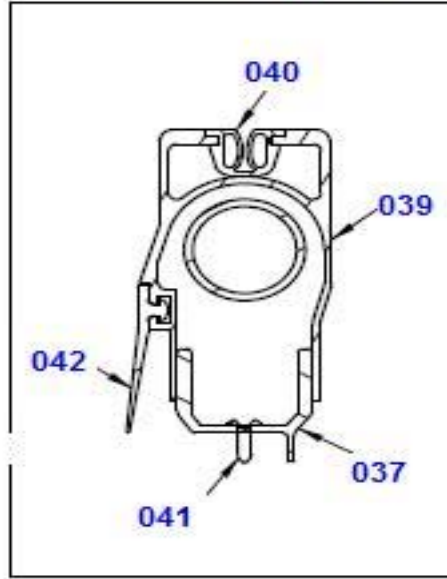
0617

0617

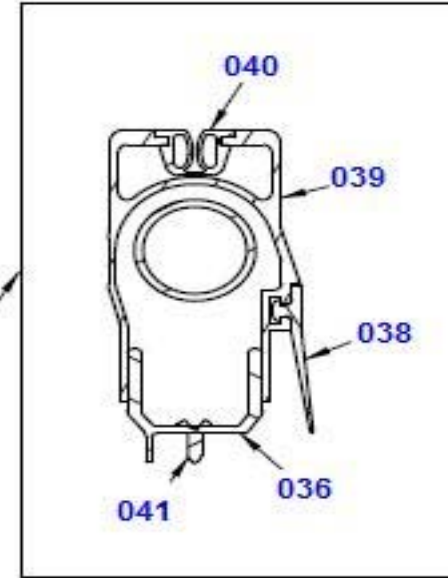
Exterior Trim

Middle Door Mechanism

Section cut A-A



Section cut D-D



A-A ve D-D kesitleri
için Bkz. Sf.1

| POZ | Part No | N.S.N | Code | Part Name (Türkçe) | Part Name (English) | Quantity |
|-----|--------------|-------|------|----------------------------------|----------------------------|----------|
| | | | | <i>Middle Door Mechanism</i> | | |
| 036 | 387035099001 | | | BAGLANTI PROFILI | CONNECTION PROFILE | 1 |
| 037 | 387035096001 | | | BAGLANTI PROFILI | CONNECTION PROFILE | 1 |
| 038 | 387035093001 | | | LASTIK PROFIL | PROFILE, RUBBER | 1 |
| 039 | 387035092001 | | | DIREK KAPAMA PROFILI | PROFILE DIRECT OFF | 2 |
| 040 | 387046694001 | | | PROFIL, TESETTUR CAM YUVASI UZUN | PROFILE, GLASS FIXING LONG | 1 |
| 041 | 301894816301 | | | ROND. SAC VIDA 4. 8X16 | WASHER | 40 |
| 042 | 387039412001 | | | LASTIK PROFIL | PROFILE, RUBBER | 1 |

Middle Door Mechanism

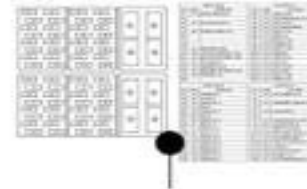
Exterior Trim

0617

0618

Exterior Trim

Labels & Strips



252



210



200



| POZ | Part No | N.S.N | Code | Part Name (Türkçe) | Part Name (English) | Quantity |
|-----|--------------|-------|------|--|----------------------------------|----------|
| | | | | <i>Labels & Strips</i> | | |
| 006 | 387001934001 | | | ETIKET, TURBO IKAZ, INGILIZCE | LABEL, TURBO ENGINE CAUTION, ENG | 1 |
| 007 | 387039131001 | | | ETIKET, SIGORTA INGILIZCE | LABEL, FUSE ENGLISH | 1 |
| 009 | 377772111001 | | | PLAKA, MOTOR NO | PLATE, ENGINE NO | 1 |
| 011 | 387003366001 | | | ETIKET, ACIL DURUM ANAHTAR INGILIZCE | STICKER, EMERGENCY KEY ENGLISH | 1 |
| 018 | 387039141001 | | | ETIKET, TEKERLEKLI SANDALYE | LABEL, WHEELCHAIR | 2 |
| 021 | 387039143001 | | | ETIKET, HAREKET KABILIYETI DUSUK YOLCU | LABEL, DISABLED PASSENGER | 5 |
| 253 | 387041088001 | | | ETIKET, ACIL CIKIS KAPI MUSLUK | STICKER, EMERGENCY EXIT | 3 |
| 255 | 387039136001 | | | ETIKET, 27 KISI, CITIPOINT | LABEL, 27, CITIPOINT | 1 |
| 270 | 387024818001 | | | ETIKET, ON ISITICI, AKU DOLABI | STICKER, BATTERY BOX | 1 |

Labels & Strips

Exterior Trim

0618

0618

Exterior Trim

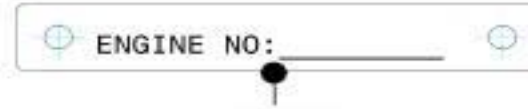
Labels & Strips



080



017



| | | | |
|---|------|------|------|
|  L | 24 0 | 24 3 | 24 0 |
|  | 0 | 0 | 1 |
|  | 78 | 75 | 70 |
| = | 102 | 102 | 95 |



| POZ | Part No | N.S.N | Code | Part Name (Türkçe) | Part Name (English) | Quantity |
|----------------------------|--------------|-------|------|--|------------------------------------|-------------|
| | | | | <i>Labels & Strips</i> | | |
| 017 | 387039139001 | | | ETIKET, TEKERLEKLI SANDALYE UYARI, ING | LABEL, WHEELCHAIR WARNING, ENGLISH | 1 |
| 080 | 387039115001 | | | ETIKET, YANGIN IKAZ, ING | STICKER, RISK OF FIRE | 1 |
| Labels & Strips | | | | Exterior Trim | | 0618 |

0619

Exterior Trim

Strips



**ANADOLU
ISUZU**

Picture No: EPL349050100-00



| POZ | Part No | N.S.N | Code | Part Name (Türkçe) | Part Name (English) | Quantity |
|--------|--------------|-------|------|--------------------|---------------------|----------|
| | | | | <i>Strips</i> | | |
| 030 | 387039108001 | | | FLATO, SAG | VINYL, RIGHT | 1 |
| 031 | 387039109001 | | | FLATO, SOL | VINYL, LEFT | 1 |
| Strips | | | | Exterior Trim | | 0619 |

Bölüm Sonu

ANADOLU ISUZU OTOMOTIV SAN. TIC. A.S.

ISUZU



ANADOLU GRUBU

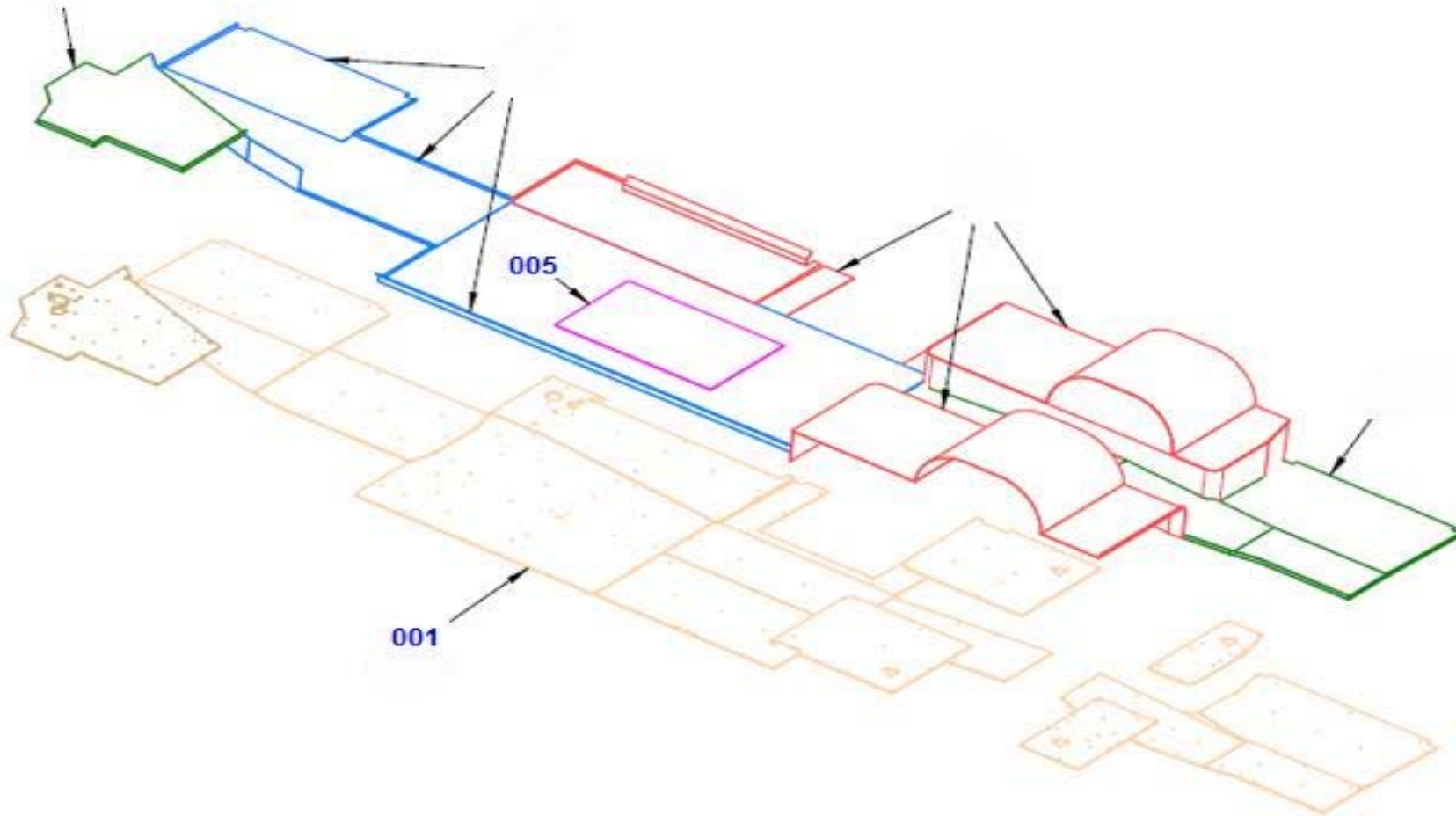
CITIPORT AT E6

07-Interior Trim

0701

Interior Trim

Floor Veneers



Picture No: EPL349260100-00

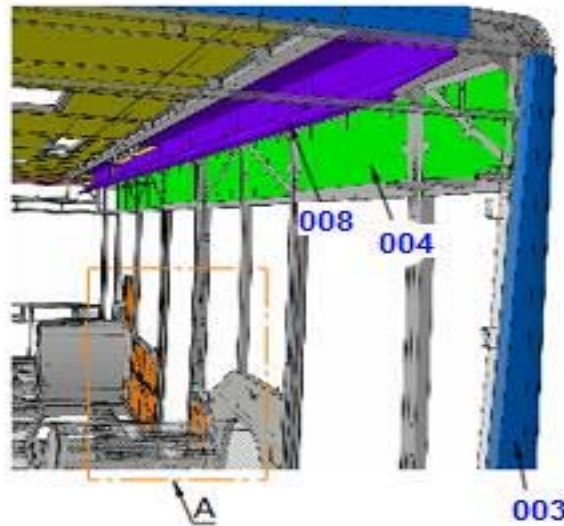
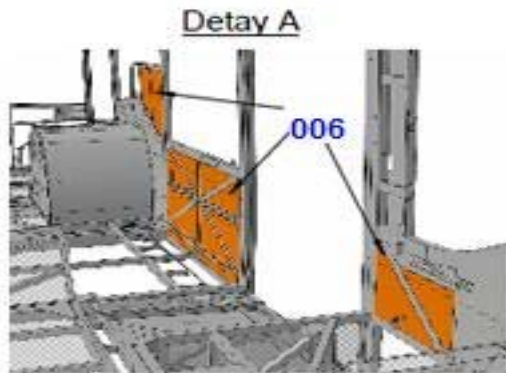
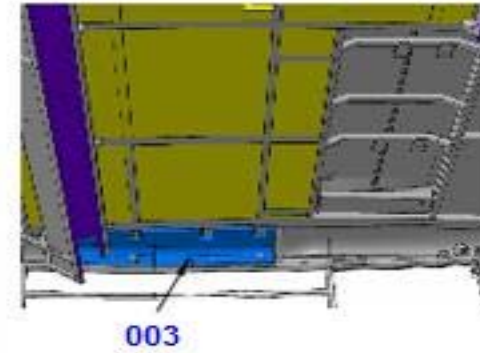
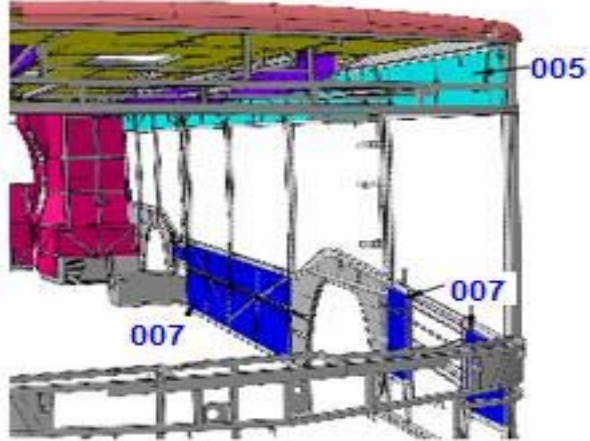


| POZ | Part No | N.S.N | Code | Part Name (Türkçe) | Part Name (English) | Quantity |
|---------------|--------------|-------|------|------------------------|---------------------|----------|
| | | | | <i>Floor Veneers</i> | | |
| 001 | 387035419301 | | | MDF, KONTRAPLAK TABAN | MDF, PLYWOOD BASE | 1 |
| 005 | 387041268001 | | | MUSAMBA, ENGELLI ALANI | TARP, DISABLED AREA | 2.500 |
| Floor Veneers | | | | Interior Trim | | 0701 |

0702

Interior Trim

Door&Trunk Dust Seals,Floor Mat & Insulation Materials



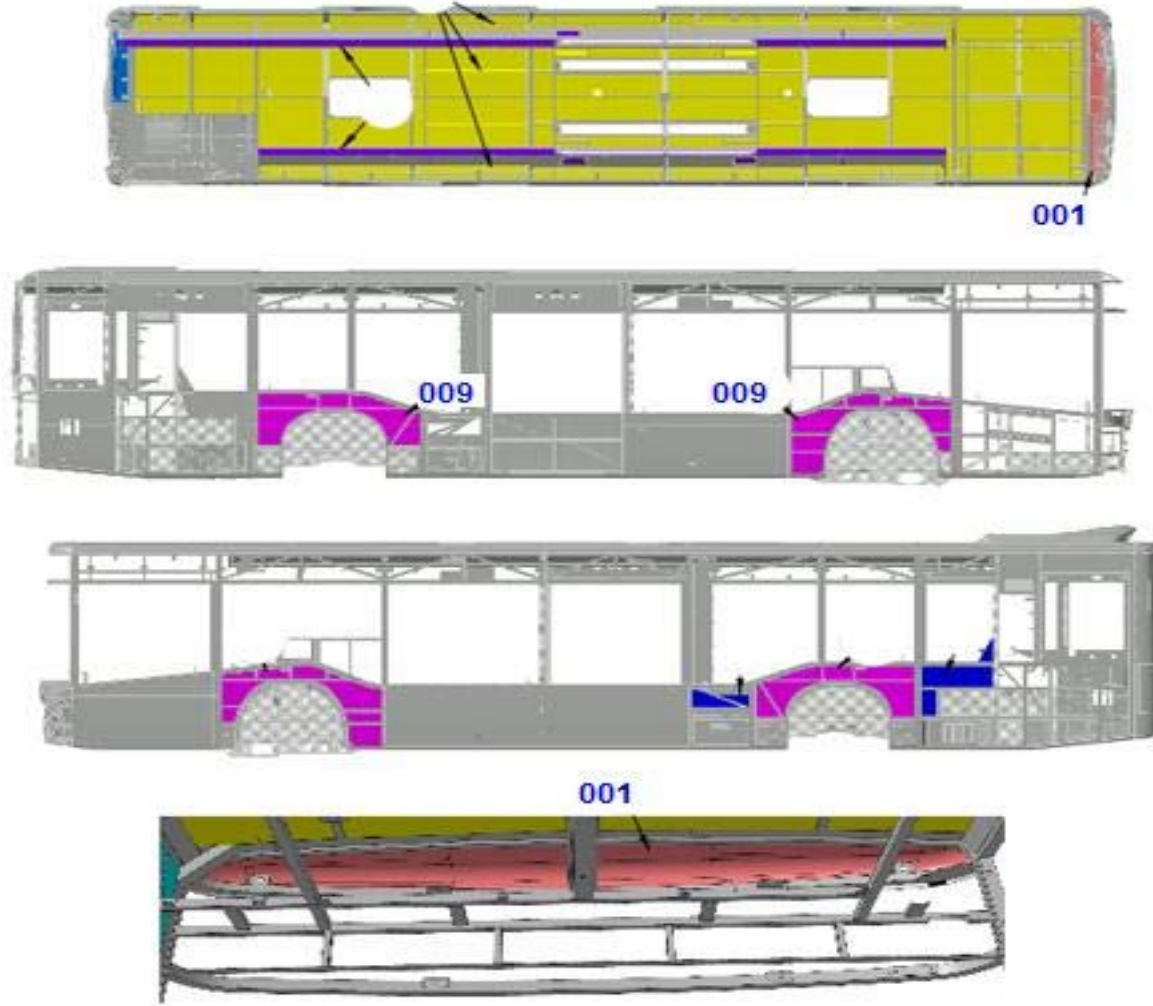
Picture No: EPLB3492701-00

| POZ | Part No | N.S.N | Code | Part Name (Türkçe) | Part Name (English) | Quantity |
|---|--------------|-------|------|---|---|-------------|
| | | | | <i>Door&Trunk Dust Seals,Floor Mat & Insulation Materials</i> | | |
| 003 | 387038374001 | | | IZOLASYON SETI, ARKA CAM USTU | INSULATION SET, REAR GLASS | 1 |
| 004 | 387034627101 | | | IZOLASYON SETI, SAG YAN PANO UST | INSULATION SET, RIGHT SIDE PANEL TOP | 1 |
| 005 | 387034628001 | | | IZOLASYON SETI, SOL YAN PANO UST | INSULATION SET, LEFT SIDE PANEL TOP | 1 |
| 006 | 387034625001 | | | IZOLASYON SETI, SAG YAN PANO ALT | INSULATION SET, RIGHT SIDE PANEL BOTTOM | 1 |
| 007 | 387034626101 | | | IZOLASYON SETI, SOL YAN PANO ALT | INSULATION SET, LEFT SIDE PANEL BOTTOM | 1 |
| 008 | 387034629201 | | | IZOLASYON SETI, HAVA KANALI ICI | INSULATION SET, INSIDE AIR FUNNEL | 1 |
| 012 | 387034624401 | | | IZOLASYON SETI, MOTOR ODASI DISI | INSULATION SET, OUTSIDE ENGINE ROOM | 1 |
| Door&Trunk Dust Seals,Floor Mat & Insulation Materials | | | | Interior Trim | | 0702 |

0702

Interior Trim

Door&Trunk Dust Seals,Floor Mat & Insulation Materials

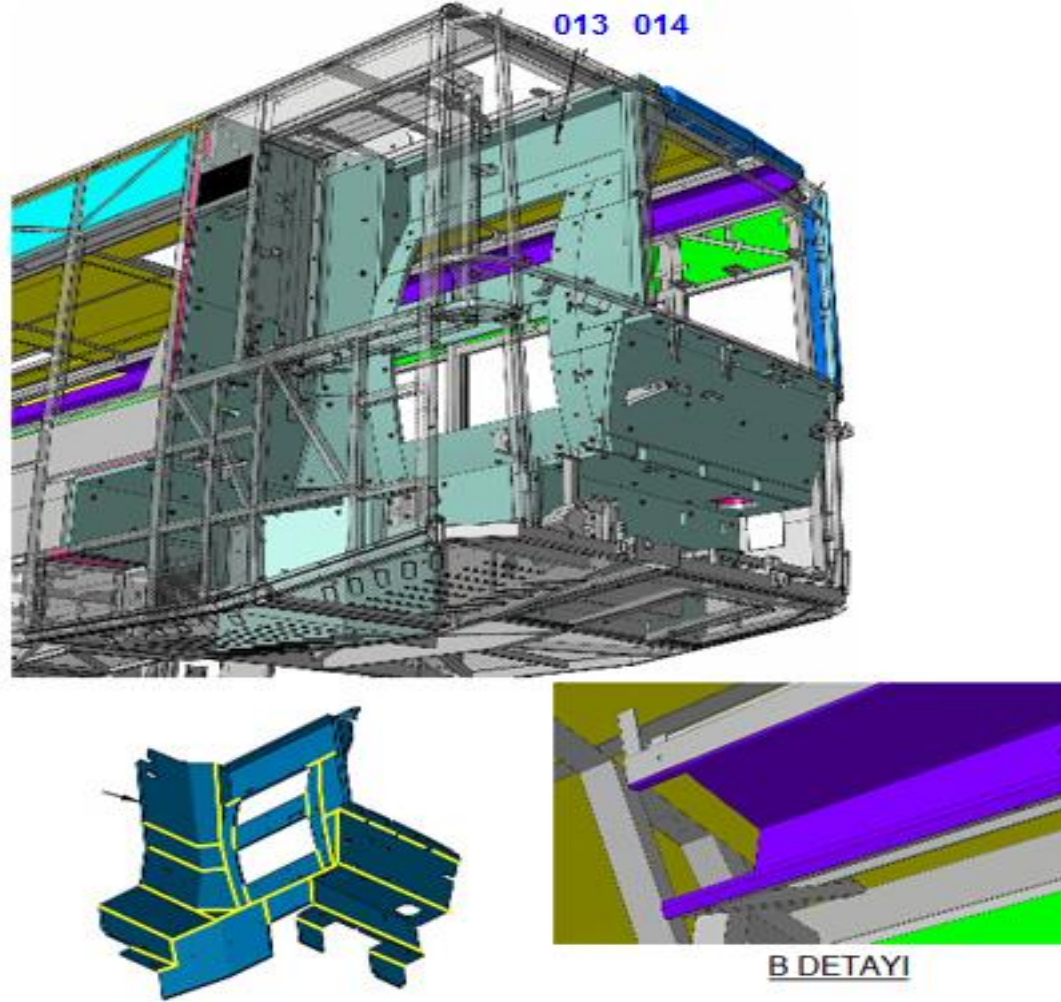


Picture No: EPLB3492702-00

0702

Interior Trim

Door&Trunk Dust Seals,Floor Mat & Insulation Materials

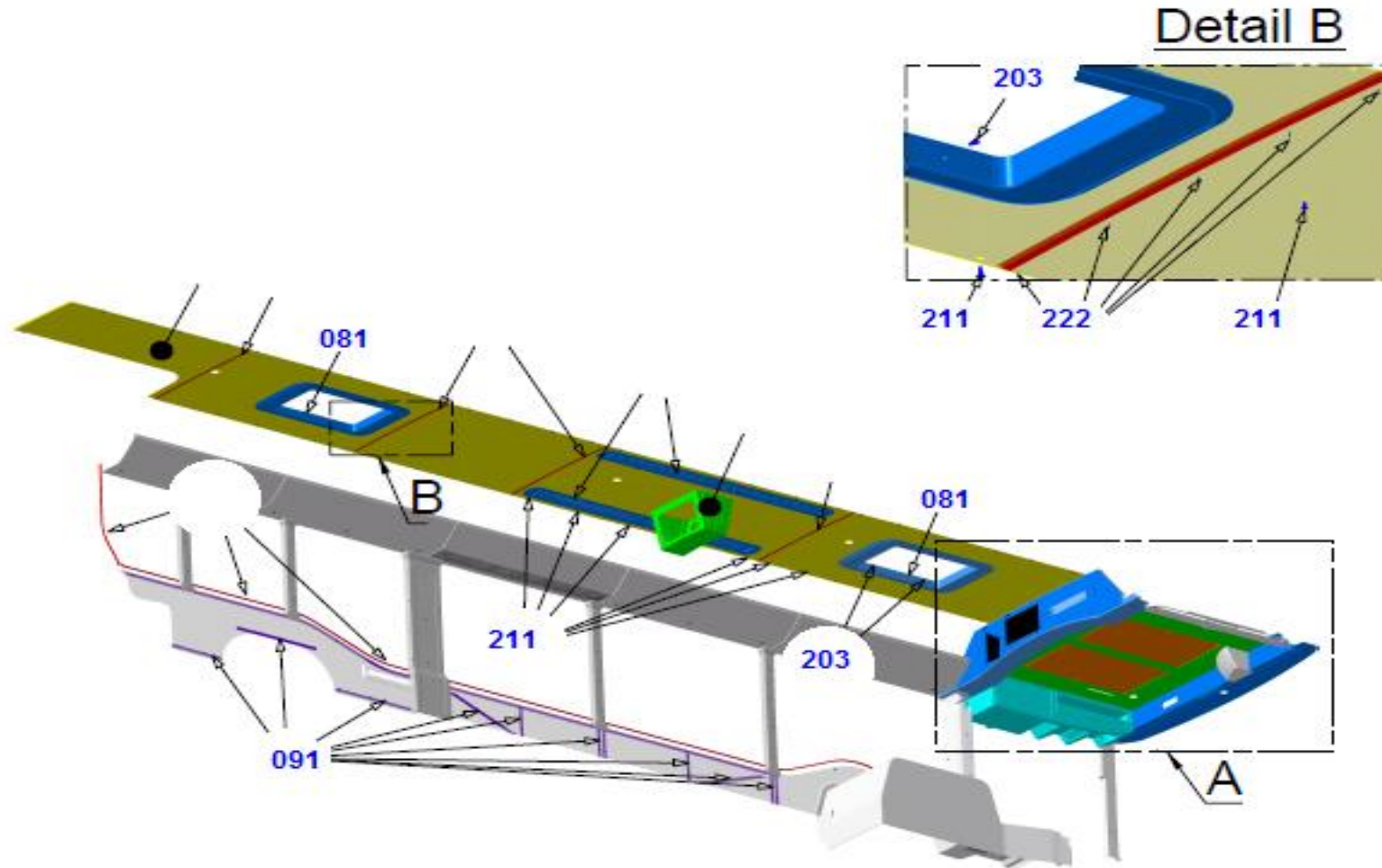


Picture No: EPLB3492703-00

0703

Interior Trim

Ceiling And Side Veneers



Picture No: EPL349290100-00

| POZ | Part No | N.S.N | Code | Part Name (Türkçe) | Part Name (English) | Quantity |
|-----|--------------|-------|------|---------------------------------|-------------------------------|----------|
| | | | | <i>Ceiling And Side Veneers</i> | | |
| 081 | 387034235101 | | | ABS KAPAMA, ACIL ÇIKIŞ KAPAGI | ABS, COVER EMERGENCY EXIT LID | 2 |
| 091 | 377774299101 | | | İZOLASYON BANDI | INSULATION TAPE | 7.100 |
| 203 | 387022025001 | | | KLİP, PANEL TUTUCU, NATUREL | CLIP, PANEL, NATUREL | 39 |
| 211 | 387013436001 | | | DUBEL | CLIP | 53 |
| 222 | 301832913101 | | | VIDA 2, 9 x 13 YMB | SCREW | 20 |

Ceiling And Side Veneers

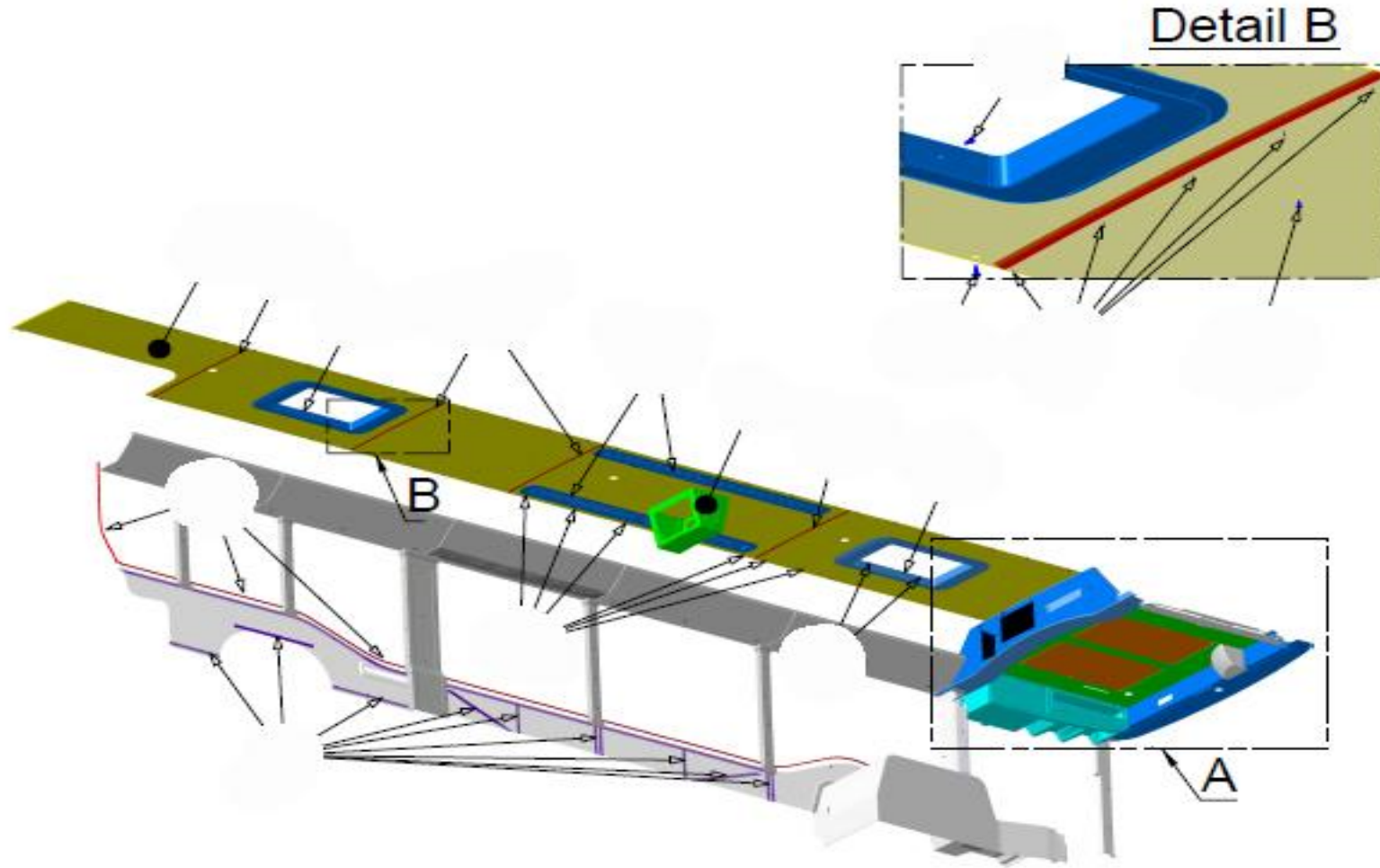
Interior Trim

0703

0703

Interior Trim

Ceiling And Side Veneers



Picture No: EPL349290100-01

| POZ | Part No | N.S.N | Code | Part Name (Türkçe) | Part Name (English) | Quantity |
|-----|--------------|-------|------|--------------------------------------|---------------------------------------|----------|
| | | | | <i>Ceiling And Side Veneers</i> | | |
| 002 | 387046726001 | | | FRP, ON KAPI UST | FRP, FRONT DOOR UPPER CLOSURE | 1 |
| 003 | 387033025301 | | | FRP, SOFOR USTU DOLAP | FRP, DRIVER'S TOP CABIN | 1 |
| 005 | 387033027001 | | | FRP, AYNA | FRP, MIRROR | 1 |
| 007 | 387033029201 | | | FRP, ON TAVAN KAPAGI | FRP, FRONT ROOF LID | 2 |
| 013 | 387038575001 | | | PLEKSI KAPAMA, ON TAVAN | PLEXI COVER, FRONT ROOF | 1 |
| 015 | 387035147001 | | | BRAKET, LCD FRP | BRACKET, LCD FRP | 3 |
| 201 | 301110008201 | | | PUL, DIN9021 8X25X2 | WASHER, DIN9021 8X25X2 | 32 |
| 202 | 300580006001 | | | SOMUN, FLN&TR M6X1, KALIN D. DIN6923 | NUT, FLN&SRTD M6X1, COARSE T. DIN6923 | 44 |
| 205 | 387020210001 | | | DUBEL, LCD FRP | FIXING PLUG, LCD FRP | 27 |
| 207 | 387015504001 | | | KAPAMA, FAR KASI PLASTIK | COVER | 47 |
| 700 | 387047254001 | | | AYNA, IC DIKIZ | MIRROR | 1 |

Ceiling And Side Veneers

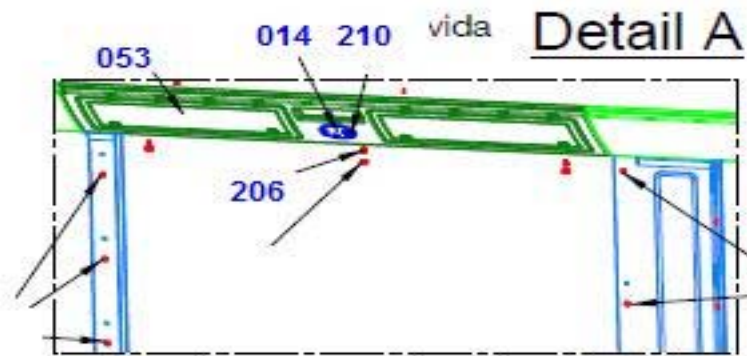
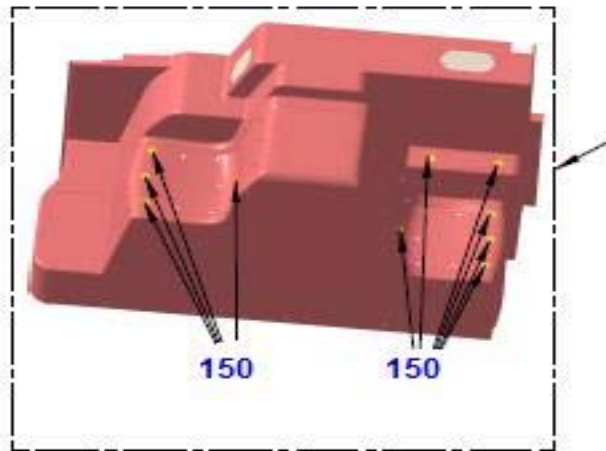
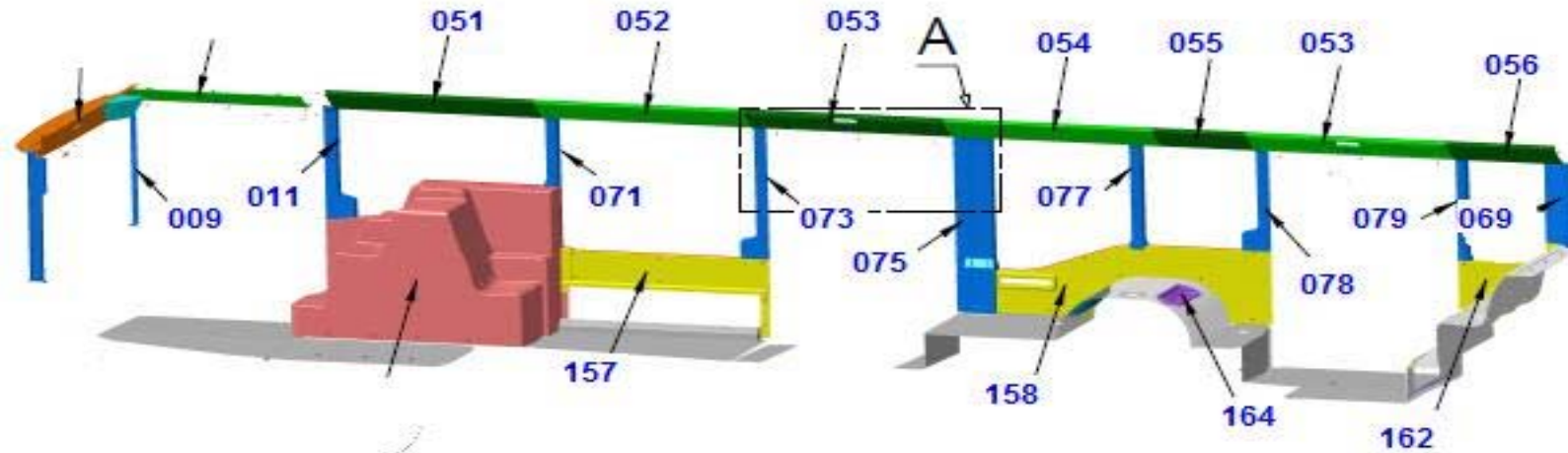
Interior Trim

0703

0703

Interior Trim

Ceiling And Side Veneers



Picture No: EPL349290200-00



| POZ | Part No | N.S.N | Code | Part Name (Türkçe) | Part Name (English) | Quantity |
|-----|--------------|-------|------|----------------------------------|-------------------------------|----------|
| | | | | <i>Ceiling And Side Veneers</i> | | |
| 009 | 387033031101 | | | ABS, SAG A DIREK | ABS, RIGHT A POLE | 1 |
| 011 | 387042286101 | | | ABS, SAG B DIREK | ABS, RIGHT B POLE | 1 |
| 014 | 387036625101 | | | MUSLUK KORUMA KAPAGI | TAP HEAD PROTECTION | 3 |
| 051 | 387033061101 | | | FRP, IC UST KOSE SAG 1 | FRP, INNER TOP CORNER RIGHT 1 | 1 |
| 052 | 387033062101 | | | FRP, IC UST KOSE SAG 2 | FRP, INNER TOP CORNER RIGHT 2 | 1 |
| 053 | 387033063101 | | | FRP, KAPI USTU | FRP, DOOR TOP | 2 |
| 054 | 387033064101 | | | FRP, IC UST KOSE SAG 3 | FRP, INNER TOP CORNER RIGHT 3 | 1 |
| 055 | 387033065101 | | | FRP, IC UST KOSE SAG 4 | FRP, INNER TOP CORNER RIGHT 4 | 1 |
| 056 | 387033067101 | | | FRP, IC UST KOSE SAG 5 | FRP, INNER TOP CORNER RIGHT 5 | 1 |
| 069 | 387034608101 | | | FRP KAPAMA, ARKA KOSE SAG | FRP COVER, RR EDGE RIGHT | 1 |
| 071 | 387042288101 | | | ABS KAPAMA, DIREK SAG 1 | ABS COVER, POLE RIGHT 1 | 1 |
| 073 | 387034493201 | | | ABS KAPAMA, DIREK SAG 2 | ABS COVER, POLE RIGHT 2 | 1 |
| 075 | 387034495301 | | | ABS KAPAMA, DIREK SAG 3 | ABS COVER, POLE RIGHT 3 | 1 |
| 077 | 387034497201 | | | ABS KAPAMA, DIREK 4 | ABS COVER, POLE 4 | 3 |
| 078 | 387034499201 | | | ABS KAPAMA, DIREK SAG 5 | ABS COVER, POLE RIGHT 5 | 1 |
| 079 | 387034607201 | | | ABS KAPAMA, DIREK SAG 6 | ABS COVER, POLE RIGHT 6 | 1 |
| 150 | 387020539001 | | | KLIPS, DISI, KOLTUK PAD BAGLANTI | CLIP, SEAT PAD | 10 |
| 157 | 387033014301 | | | FRP, SAG YAN PANEL, ON | RFP, RIGHT SIDE PANEL FRONT | 1 |
| 158 | 387033015201 | | | FRP, SAG YAN PANEL, ORTA | RFP, RIGHT SIDE PANEL, CENTER | 1 |
| 162 | 387034631101 | | | FRP, ARKA UCLU KOLTUK YANI | FRP, RR TRIPLE SEAT SIDE | 1 |
| 164 | 387038773001 | | | ABS, ARKA, ARKA TEKER USTU | ABS, REAR | 2 |
| 206 | 301904219201 | | | VIDA, 4.2x19 DIN 7981 SARI | SCREW, 4.2X19 DIN 7981 YELLOW | 50 |
| 210 | 301852913101 | | | SAC VIDASI | SELF TAPPING SCREW | 3 |

Ceiling And Side Veneers

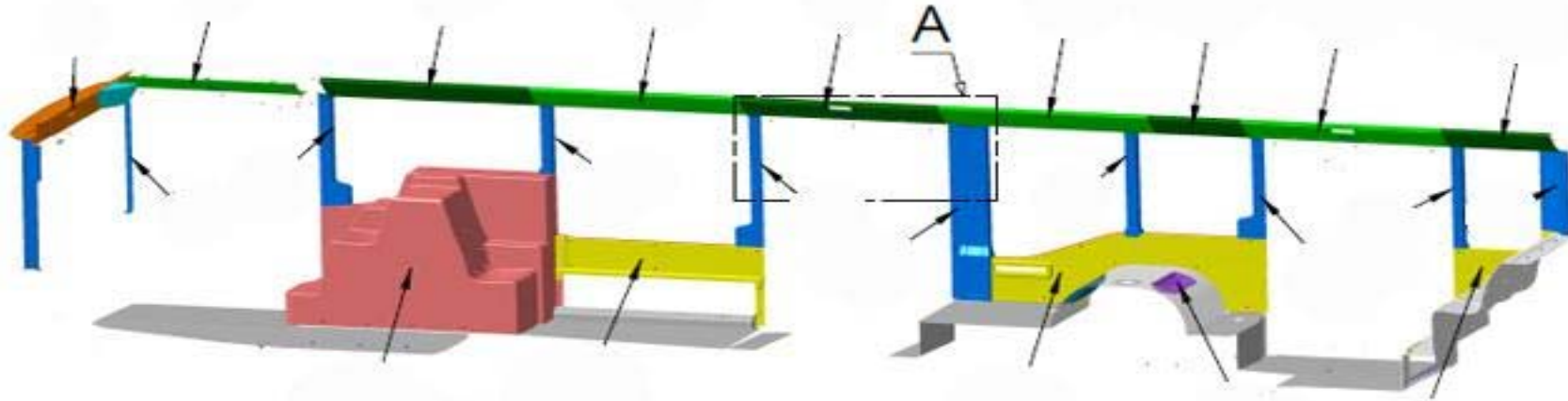
Interior Trim

0703

0703

Interior Trim

Ceiling And Side Veneers

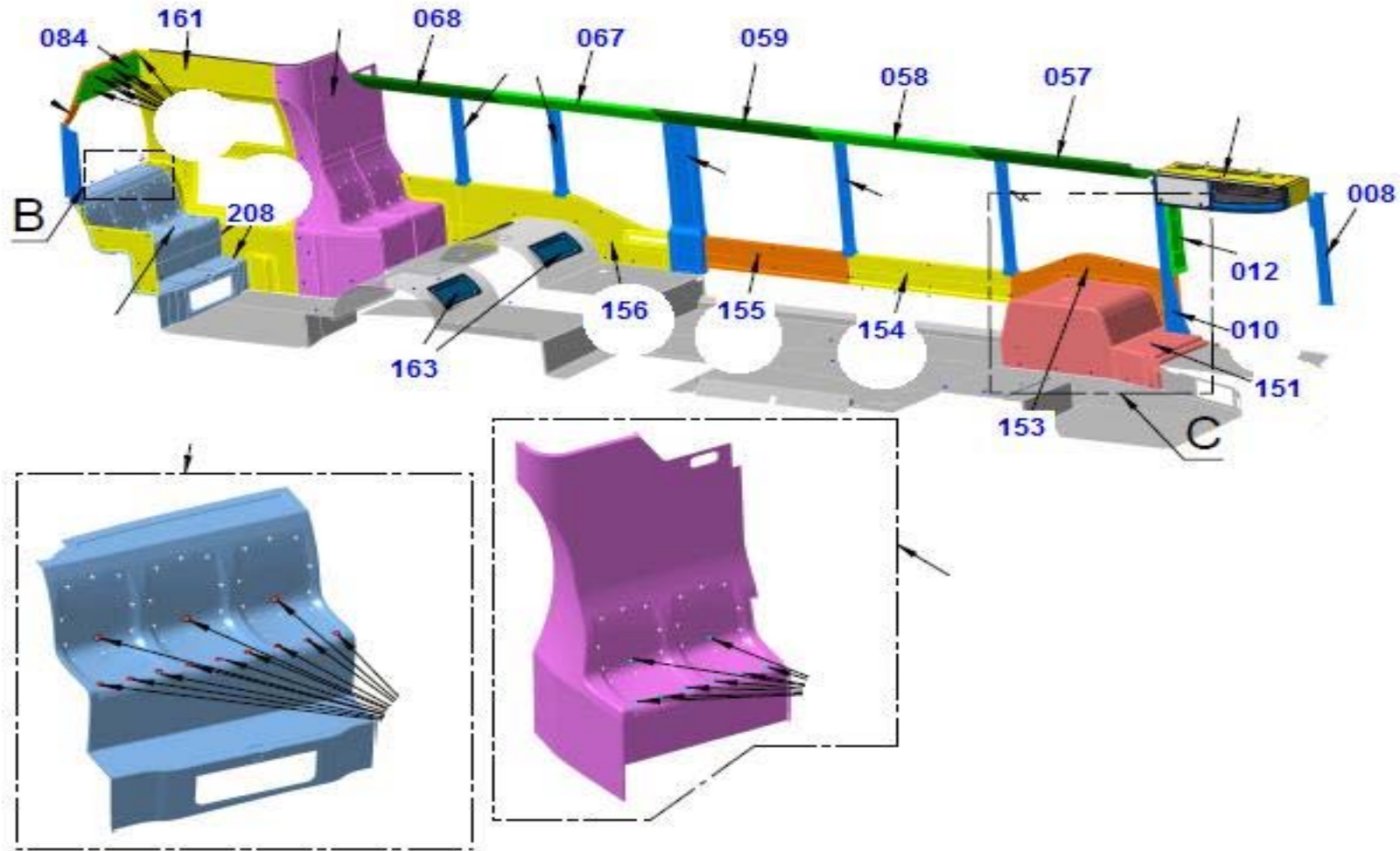


Picture No: EPL349290200-01

0703

Interior Trim

Ceiling And Side Veneers



Picture No: EPL349290300-00



| POZ | Part No | N.S.N | Code | Part Name (Türkçe) | Part Name (English) | Quantity |
|-----|--------------|-------|------|---------------------------------|------------------------------|----------|
| | | | | <i>Ceiling And Side Veneers</i> | | |
| 008 | 387033030101 | | | ABS, SOL A DIREK | ABS, LEFT A POLE | 1 |
| 010 | 387033032001 | | | ABS, SOL B DIREK | ABS, LEFT B POLE | 1 |
| 012 | 387034609001 | | | ABS, KABIN IC KAPAMA | ABS, CABIN INNER COVER | 1 |
| 057 | 387033081101 | | | FRP, IC UST KOSE SOL 1 | FRP, INNER TOP CORNER LEFT 1 | 1 |
| 058 | 387033082101 | | | FRP, IC UST KOSE SOL 2 | FRP, INNER TOP CORNER LEFT 2 | 1 |
| 059 | 387033083101 | | | FRP, IC UST KOSE SOL 3 | FRP, INNER TOP CORNER LEFT 3 | 1 |
| 067 | 387033084101 | | | FRP, IC UST KOSE SOL 4 | FRP, INNER TOP CORNER LEFT 4 | 1 |
| 068 | 387033085101 | | | FRP, IC UST KOSE SOL 5 | FRP, INNER TOP CORNER LEFT 5 | 1 |
| 084 | 387034236201 | | | TAVAN CITASI, ALMN. PROFIL | ROOF MOULDING, ALMN. PROFILE | 4 |
| 151 | 387033008201 | | | FRP, SOL TEKER USTU | FRP, LEFT WHEEL TOP | 1 |
| 153 | 387033010101 | | | FRP, SOL YAN PANEL 1 | FRP, LEFT SIDE PANEL 1 | 1 |
| 154 | 387033011201 | | | FRP, SOL YAN PANEL 2 | FRP, LEFT SIDE PANEL 2 | 1 |
| 155 | 387033012201 | | | FRP, SOL YAN PANEL 3 | FRP, LEFT SIDE PANEL 3 | 1 |
| 156 | 387033013401 | | | FRP, SOL YAN PANEL 4 | FRP, LEFT SIDE PANEL 4 | 1 |
| 161 | 387033019201 | | | FRP, MOTOR ODASI | FRP, ENGINE CHAMBER | 1 |
| 163 | 387038772001 | | | ABS, ON, ARKA TEKER USTU | ABS, FRONT | 2 |
| 208 | 301833916101 | | | SAC VIDASI | SELF TAPPING SCREW | 42 |

Ceiling And Side Veneers

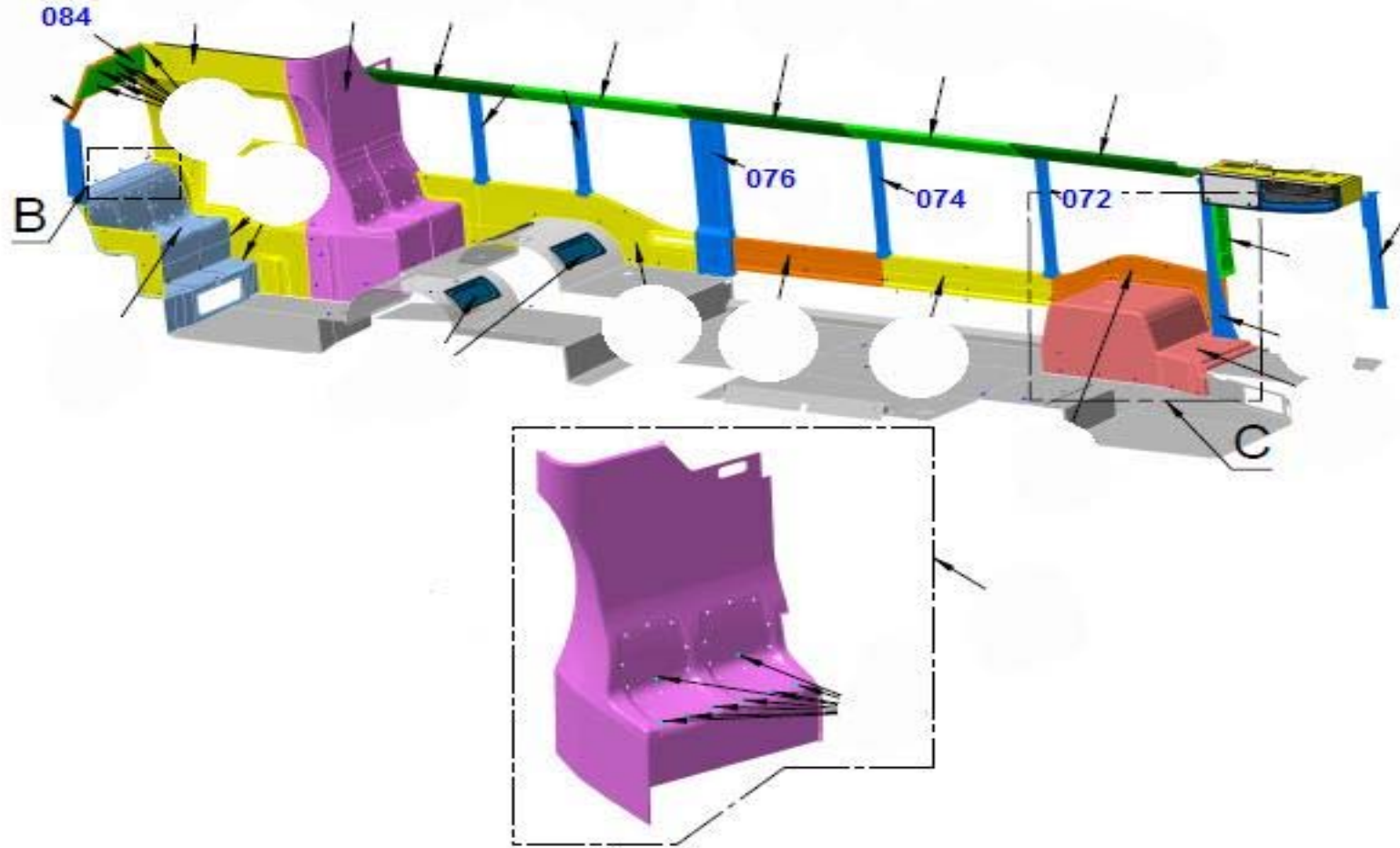
Interior Trim

0703

0703

Interior Trim

Ceiling And Side Veneers



Picture No: EPL349290300-01



| POZ | Part No | N.S.N | Code | Part Name (Türkçe) | Part Name (English) | Quantity |
|-----|--------------|-------|------|------------------------------------|--------------------------------------|----------|
| | | | | <i>Ceiling And Side Veneers</i> | | |
| 072 | 387034492201 | | | ABS KAPAMA, DIREK SOL 1 | ABS COVER, POLE LEFT 1 | 1 |
| 074 | 387034494201 | | | ABS KAPAMA, DIREK SOL 2 | ABS COVER, POLE LEFT 2 | 1 |
| 076 | 387034496301 | | | ABS KAPAMA, DIREK SOL 3 | ABS COVER, POLE LEFT 3 | 1 |
| 084 | 387034483001 | | | PLEKSI KAPAMA, ARKA UST FRP | PLEXI COVER, REAR TOP FRP | 1 |
| 204 | 301794219201 | | | VIDA, MERCIMEK HAVSA BASLI 4.2 | SCREW, COUNERSUNK OVAL HEADED 4.2 | 9 |
| 213 | 301030006201 | | | RONDELA, M6 TIRTIKLI | WASHER, M6 KNURLED | 7 |
| 214 | 300090620101 | | | CIVATA, SLB M6X20, KALIN D. DIN912 | BOLT, SOCKET M6X20, COARSE T. DIN912 | 7 |
| 215 | 301814225201 | | | VIDA, 4.2X25, DIN 7981 | SCREW, 4.2X25, DIN 7981 | 8 |
| 218 | 387031007001 | | | KLIPS, PANEL TUTUCU - EVO 2 | CLIP | 58 |
| 219 | 301520520101 | | | VIDA, METRIK, M5X20, DIN 965 | SCREW, METRIC, M5X20, YHB DIN 965 | 5 |
| 221 | 387026601001 | | | ABS VIDA KAPAGI, KOYU GRI | COVER, SCREW 4, 2 | 8 |

Ceiling And Side Veneers

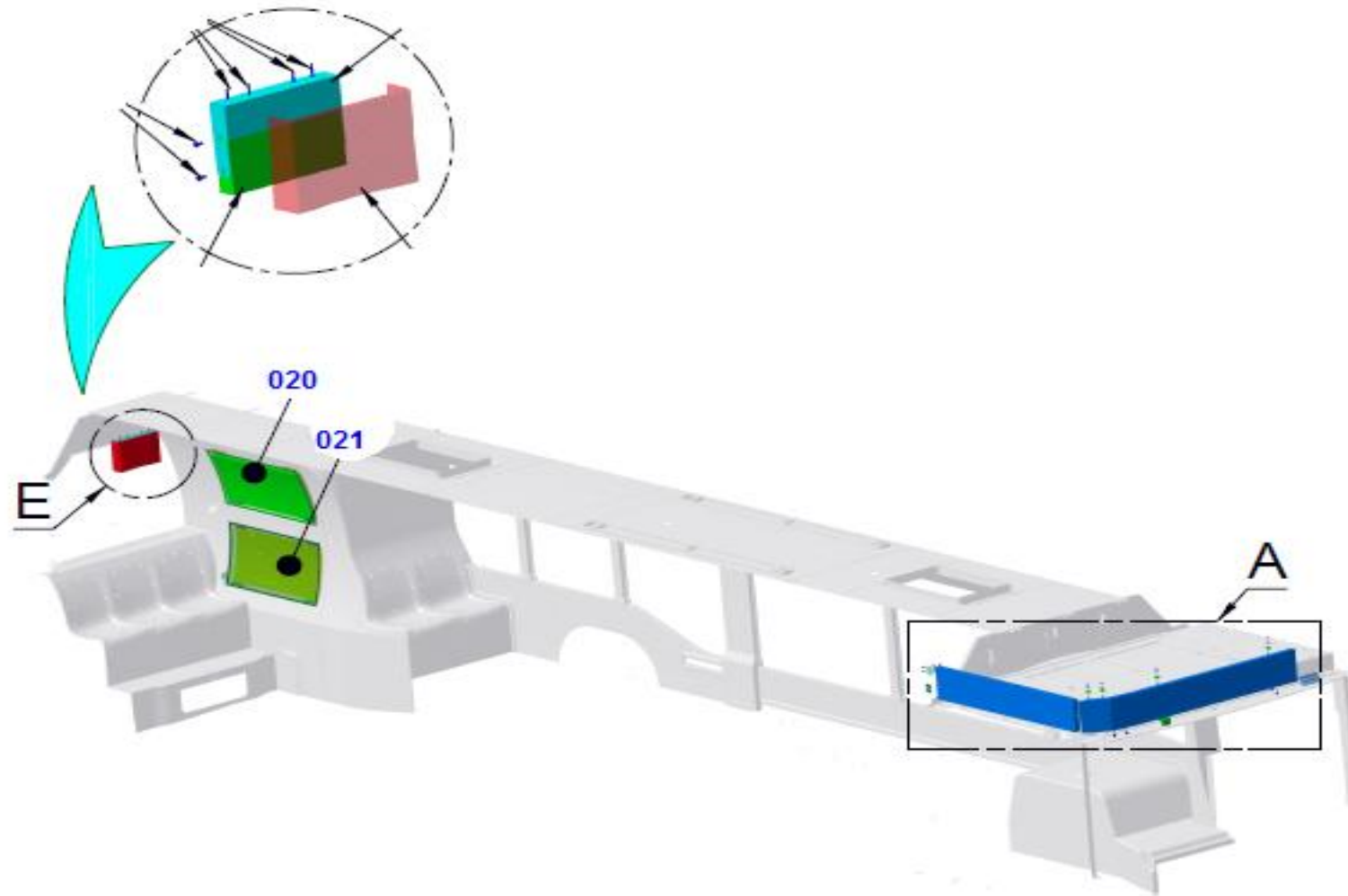
Interior Trim

0703

0704

Interior Trim

Engine Covers & Digital Route Panel

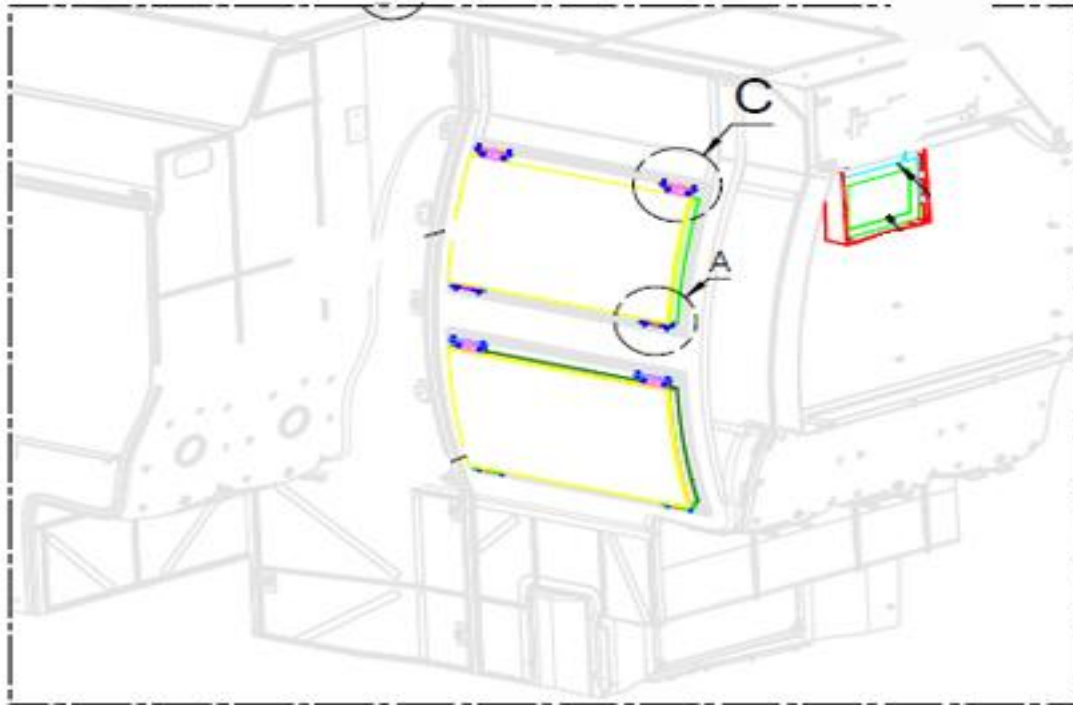


Picture No: EPL349310100-00

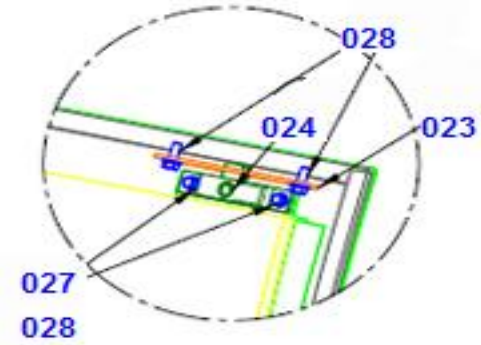
0704

Interior Trim

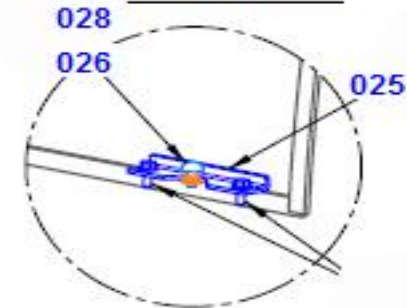
Engine Covers & Digital Route Panel



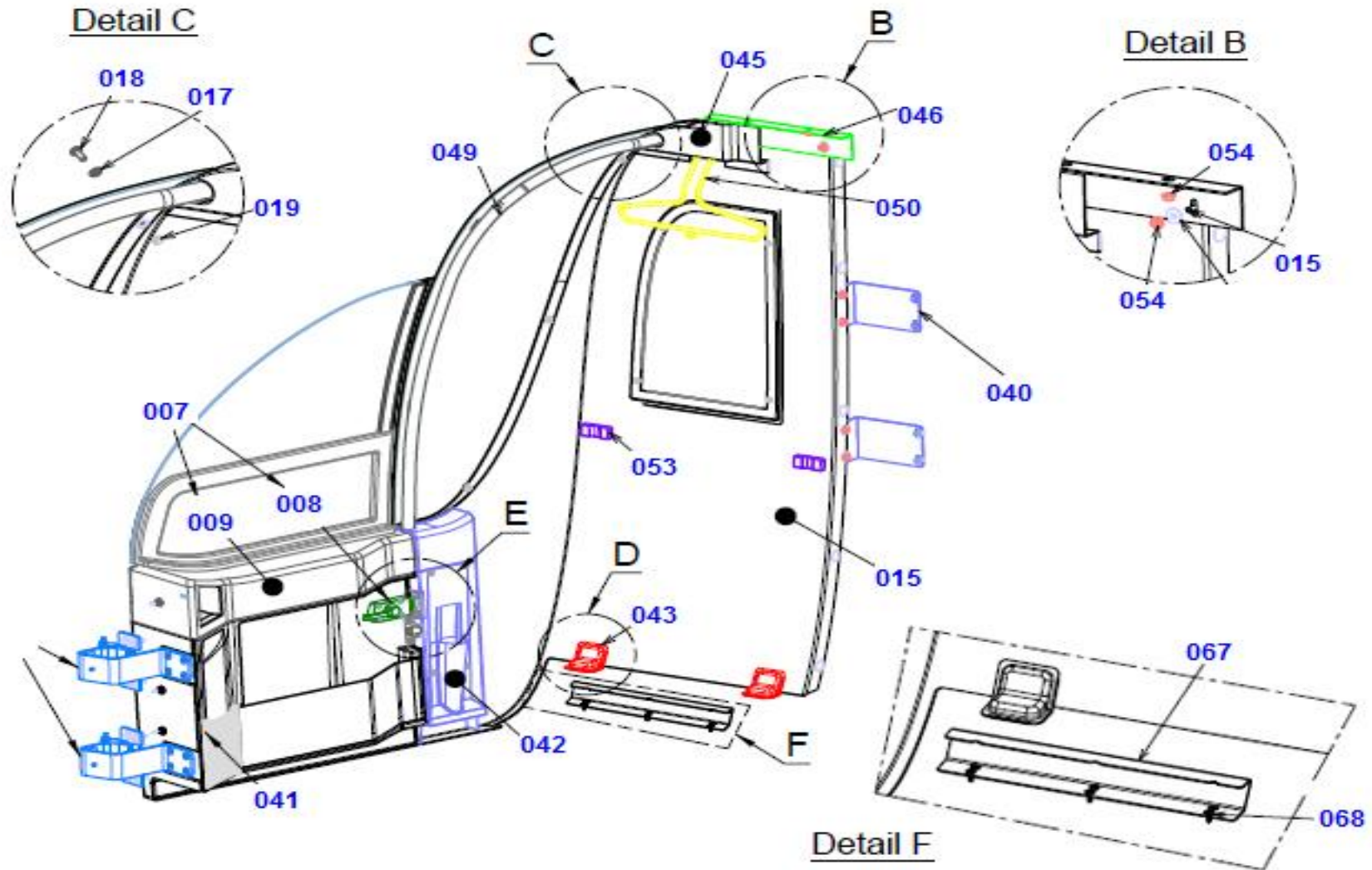
Detail C



Detail A



Picture No: EPL349310200-00

0705**Interior Trim****Instrument Panel & Box**

Picture No: EPL347400100-00



| POZ | Part No | N.S.N | Code | Part Name (Türkçe) | Part Name (English) | Quantity |
|-----|--------------|-------|------|---|---|----------|
| | | | | <i>Instrument Panel & Box</i> | | |
| 007 | 387033034401 | | | TORPIDO, KAPI KOMPLE | TORPEDO, DOOR ASM. | 1 |
| 008 | 387032054101 | | | KAPI KOLU VE KILIDI KOMPLE, KAPALI KABI | DOOR ARM AND LOCK ASM. CLOSED DOOR | 1 |
| 009 | 387033039401 | | | FRP, TORPIDO KAPISI | FRP, DASHBOARD DOOR | 1 |
| 015 | 387034772101 | | | SOFOR KABINI | DRIVER CABINET | 1 |
| 017 | 387006137001 | | | CONTA, OZEL | GASKET | 18 |
| 018 | 301500820301 | | | VIDA M8x20 DIN 7986 | SCREW M8x20 | 9 |
| 019 | 300700008101 | | | SOMUN, FLN M8X1. 25, KALIN D. DIN1587 | NUT, FLN M8X1. 25, COARSE T. DIN1587 | 9 |
| 040 | 387034864001 | | | BRACKET, YAN BAGLANTI | BRACKET, SIDE CONNECTION | 2 |
| 041 | 387034762001 | | | ABS, SAG AYAK UFLEME | ABS, RIGHT BLOWING | 1 |
| 042 | 387034777101 | | | ABS, SEMSIYELIK | ABS, UMBRELLA STAND | 1 |
| 043 | 387034778001 | | | ABS, SOFOR KABINI | ABS, DRIVER CABINET | 2 |
| 045 | 387034775001 | | | ABS, SOFOR KABINI | ABS, DRIVER CABINET | 1 |
| 046 | 387034776101 | | | BRACKET, SOFOR KABINI UST BAGLANTI | BRACKET, DRIVER CABIN TOP MOUNTING | 1 |
| 049 | 387035479201 | | | KORUGAN, KABIN CAMI | HANDRAIL, GLASS CABINET | 1 |
| 050 | 387035478101 | | | ASKILIK | HANDRAIL, CLOTHES TREE | 1 |
| 053 | 387035510001 | | | ABS, BAGLANTI KAPAMA | ABS, MOUNTING COVER | 2 |
| 054 | 300580008101 | | | SOMUN, FLN&TR M8X1. 25, KALIN D. DIN 6923 | NUT, FLN&SRTD M8X1. 25, COARSE T. DIN 692 | 12 |
| 067 | 387044682001 | | | BRACKET, DOLAP ALTI | BRACKET, UNDER LOCKER | 1 |
| 068 | 301904219201 | | | VIDA, 4.2x19 DIN 7981 SARI | SCREW, 4.2X19 DIN 7981 YELLOW | 6 |

Instrument Panel & Box

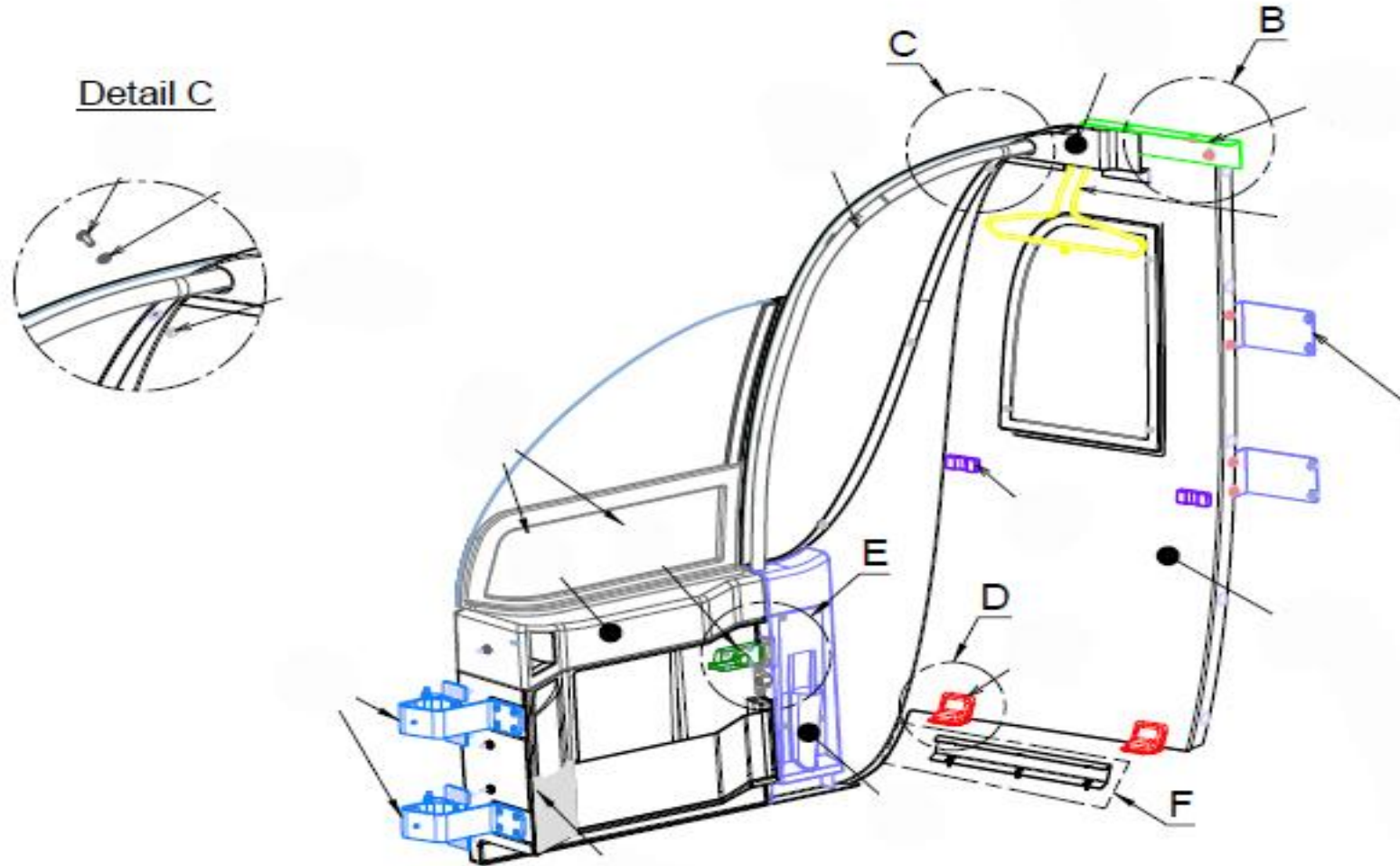
Interior Trim

0705

0705

Interior Trim

Instrument Panel & Box



Picture No: EPL347400100-01

| POZ | Part No | N.S.N | Code | Part Name (Türkçe) | Part Name (English) | Quantity |
|-----|--------------|-------|------|------------------------------------|--------------------------------------|----------|
| | | | | <i>Instrument Panel & Box</i> | | |
| 001 | 387042387001 | | | SOFOR KONSOLU KOMPLE, HOPARLORLU | DRIVER CONSOLE, WITH LOUDSPEAKER | 1 |
| 002 | 387042388001 | | | ABS KAPAMA, SOFOR YANI, HOPARLORLU | ABS COVER, DRIVER SIDE, LOUDSPEAKER | 1 |
| 003 | 387034768001 | | | SAC, SOFOR KONSOLU | SHEET, DRIVER CONSOLE | 1 |
| 004 | 387034769001 | | | KAPAK, SOFOR YANI | COVER, DRIVER SIDE | 1 |
| 005 | 387034770001 | | | ABS, CAM YANI | ABS, WINDOW SIDE | 1 |
| 006 | 387035935001 | | | PLEKSI GLASS, DIAGNOS | PLEXIGLASS | 1 |
| 021 | 301794219201 | | | VIDA, MERCIMEK HAVSA BASLI 4.2 | SCREW, COUNERSUNK OVAL HEADED 4.2 | 19 |
| 022 | 301904219201 | | | VIDA, 4.2x19 DIN 7981 SARI | SCREW, 4.2X19 DIN 7981 YELLOW | 13 |
| 027 | 300090815101 | | | CIVATA, SLB M8X15, KALIN D. DIN912 | BOLT, SOCKET M8X15, COARSE T. DIN912 | 6 |
| 038 | 387034780101 | | | CAM, SOFOR KABINI | WINDOW, DRIVER'S CAB | 1 |
| 039 | 387034781001 | | | CAM, SOFOR KABIN YANI | GLASS, DRIVER | 1 |
| 051 | 387035480101 | | | KORUGAN, KABIN ARKASI | HANDRAIL, CABIN BACK | 1 |
| 056 | 387026601001 | | | ABS VIDA KAPAGI, KOYU GRI | COVER, SCREW 4, 2 | 12 |
| 059 | 387037953101 | | | KILIT YUVASI I, KESTAMIT | LOCK SLOT I, KESTAMID | 1 |
| 060 | 387037954101 | | | KILIT YUVASI II, KESTAMIT | LOCK SLOT II, KESTAMID | 1 |
| 061 | 387037955101 | | | STOPER, KESTAMIT | STOPPER, CESTAMIDE | 1 |
| 064 | 301894825301 | | | VIDA | SCREW | 1 |
| 080 | 387045279001 | | | BRAKET, DIAGNOSTIK | BRACKET, DIAGNOSTIC | 1 |

Instrument Panel & Box

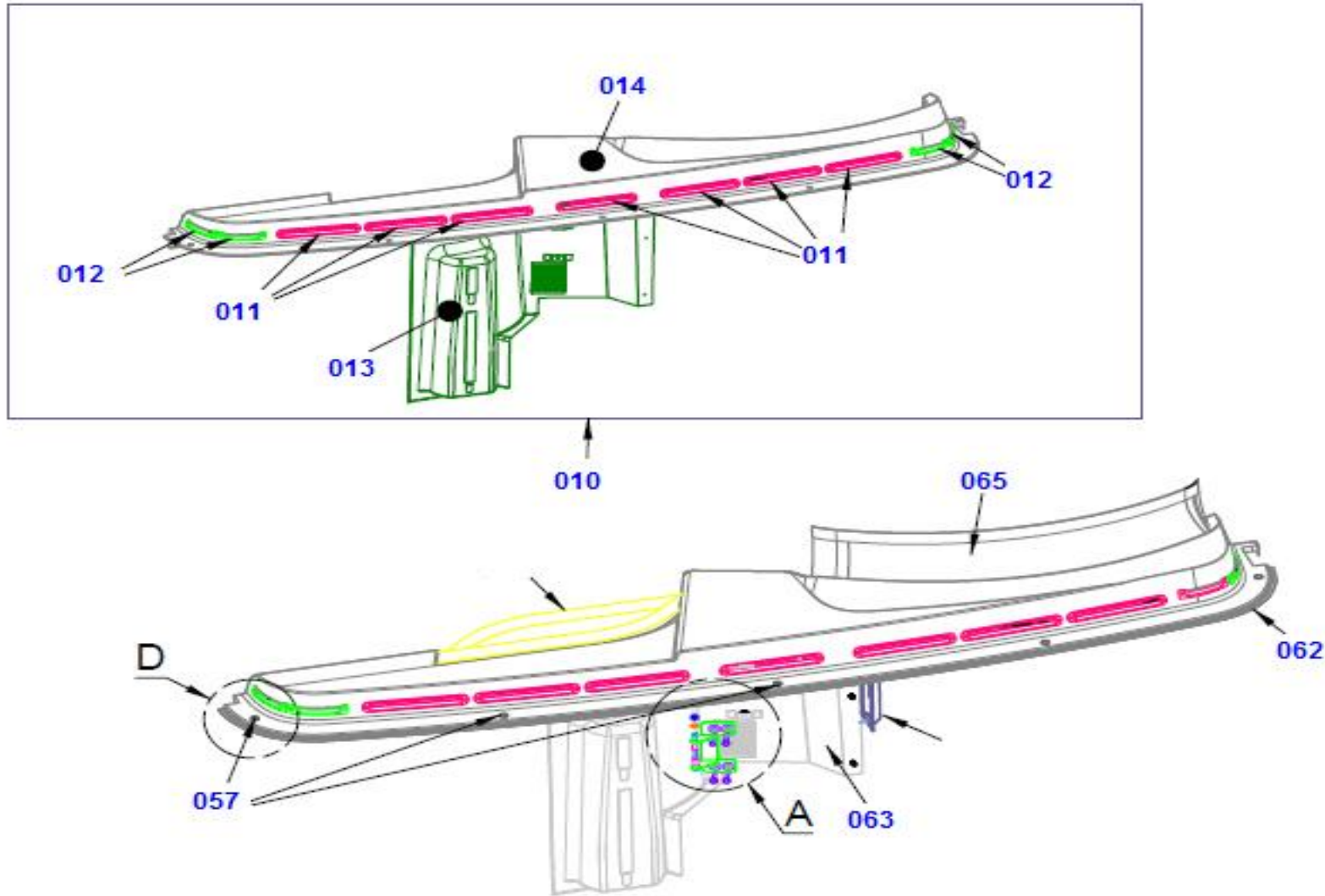
Interior Trim

0705

0705

Interior Trim

Instrument Panel & Box



Picture No: EPL347400200-00

| POZ | Part No | N.S.N | Code | Part Name (Türkçe) | Part Name (English) | Quantity |
|-----|--------------|-------|------|-----------------------------------|----------------------------|----------|
| | | | | <i>Instrument Panel & Box</i> | | |
| 010 | 387033035201 | | | TORPIDO, UST KOMPLE | DASHBOARD, UPPER | 1 |
| 011 | 387025508001 | | | HAVA YONLENDIRICI | AIR DIFFUSER | 7 |
| 012 | 387025507001 | | | HAVA YONLENDIRICI-TORPIDO KOSE | AIR DIFFUSER | 4 |
| 013 | 387033036101 | | | FRP, TORPIDO ON KAPAMA | FRP, DASHBOARD FRONT COVER | 1 |
| 014 | 387033038101 | | | FRP, TORPIDO UST KAPAK | FRP, DASHBOARD UPPER COVER | 1 |
| 057 | 387001882101 | | | TAPA | PLUG | 8 |
| 062 | 387037983001 | | | PVC, CAM ONU | PVC, FRONT OF GLASS | 3 |
| 063 | 387022025001 | | | KLIPS, PANEL TUTUCU, NATUREL | CLIP, PANEL, NATUREL | 3 |
| 065 | 387039022001 | | | KUMAS, TORPIDO KAPAMA | CLOTH, DASHBOARD COVER | 1 |

Instrument Panel & Box

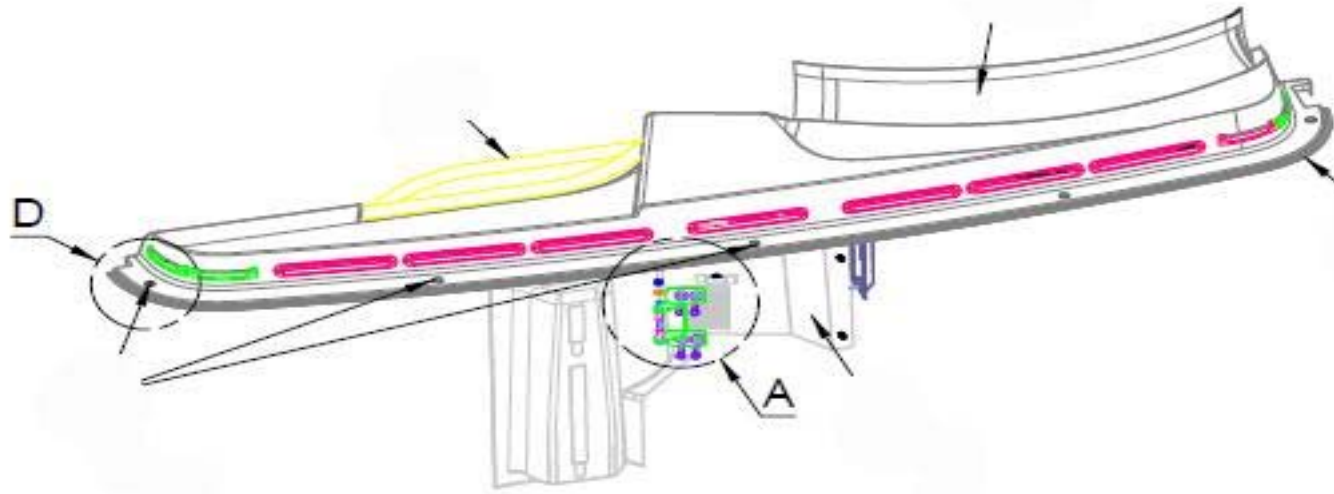
Interior Trim

0705

0705

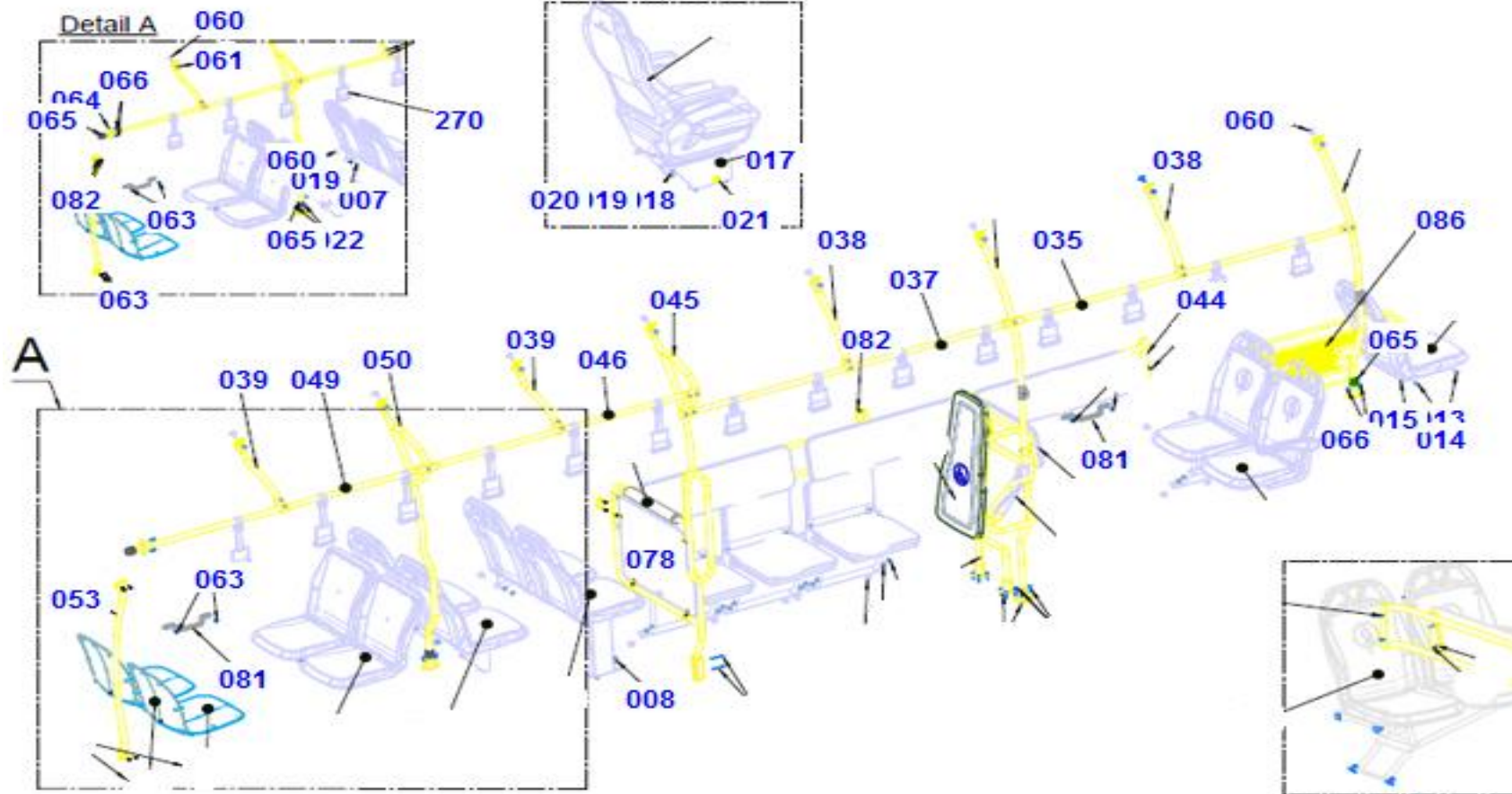
Interior Trim

Instrument Panel & Box



Picture No: EPL347400200-01

| POZ | Part No | N.S.N | Code | Part Name (Türkçe) | Part Name (English) | Quantity |
|-----|--------------|-------|------|--|---|-------------|
| | | | | <i>Instrument Panel & Box</i> | | |
| 016 | 301110008201 | | | PUL, DIN9021 8X25X2 | WASHER, DIN9021 8X25X2 | 26 |
| 024 | 300010830201 | | | CIVATA, AKB M8X1. 25X30, KALIN D. DIN933 | BOLT, HEX M8X1. 25X30, COARSE T. DIN933 | 8 |
| 029 | 387034009301 | | | MENTESE, SOFOR KAPISI | HINGE, DRIVER DOOR | 2 |
| 030 | 301000008101 | | | RONDELA, DUZ D=8 DIN 125 | WASHER, PLAIN D= 8 DIN 125 | 1 |
| 032 | 387044707001 | | | BURC, METAL | RING, METAL | 2 |
| 033 | 387034021101 | | | BRAKET I, MENTESE | BRACKET I, HINGE | 1 |
| 035 | 387034023001 | | | BRAKET III, MENTESE | BRACKET III, HINGE | 1 |
| 036 | 387001692001 | | | KAUCUK STOPLAYICI KUCUK | RUBBER STOPPER SMALL | 1 |
| | | | | Instrument Panel & Box | Interior Trim | 0705 |

0706**Interior Trim****Seats**

Picture No: EPL349350100-00



| POZ | Part No | N.S.N | Code | Part Name (Türkçe) | Part Name (English) | Quantity |
|-----|--------------|-------|------|---|---|----------|
| | | | | Seats | | |
| 004 | 388884941201 | | | CIVATA | BOLT | 25 |
| 005 | 301000010201 | | | RONDELA, DUZ D=10 DIN 125 | WASHER, PLAIN D= 10 DIN 125 | 28 |
| 007 | 300510010201 | | | SOMUN, AKB M10X1. 25, INCE D. DIN934 | NUT, HEX M10X1. 25, FINE T. DIN934 | 28 |
| 008 | 300120830601 | | | CIVATA, FLN M8X1. 25X30, KALIN D. DIN6921 | BOLT, FLN M8X1. 25X30, COARSE T. DIN6921 | 4 |
| 013 | 300090820101 | | | CIVATA, SLB M8X20, KALIN D. DIN912 | BOLT, SOCKET M8X20, COARSE T. DIN912 | 4 |
| 014 | 301010008201 | | | RONDELA, YAYLI D=8 DIN 127 | WASHER, SPRING D= 8 DIN 127 | 4 |
| 015 | 387020596001 | | | BRAKET, ALT, TEKLI KOLTUK BAGLANTI | BRACKET, DOWN, SINGLE PASSENGER SEAT | 1 |
| 017 | 387038762001 | | | BRAKET, BAGLANTI, SOFOR KOLTUGU | BRACKET, MOUNTING, DRIVER SEAT | 1 |
| 018 | 300021030201 | | | CIVATA, AKB M10X1. 25X30, INCE D. DIN961 | BOLT, HEX M10X1. 25X30, FINE T. DIN961 | 4 |
| 019 | 301000010201 | | | RONDELA, DUZ D=10 DIN 125 | WASHER, PLAIN D= 10 DIN 125 | 4 |
| 020 | 301010010201 | | | RONDELA, YAYLI, M10 | WASHER, SPRING M10 | 4 |
| 021 | 388881883001 | | | GROMET | GROMMET | 1 |
| 022 | 300090620101 | | | CIVATA, SLB M6X20, KALIN D. DIN912 | BOLT, SOCKET M6X20, COARSE T. DIN912 | 20 |
| 023 | 301000006101 | | | RONDELA, DUZ D=6 DIN 125 | PIPE, AIR INTAKE | 20 |
| 035 | 387032813001 | | | KORUGAN, SOL, ON, YATAY | HANDRAIL, LEFT, FRONT | 1 |
| 036 | 387032814001 | | | KORUGAN, ORTA YATAY, SAG | HANDRAIL | 1 |
| 037 | 387032905001 | | | KORUGAN, SOL, ENGELLI BOLGESI, YATAY | HANDRAIL, LEFT, DISABLED AREA | 1 |
| 038 | 387036066001 | | | KORUGAN, ARA TAKVIYE, UZUN | HANDRAIL | 3 |
| 039 | 387038705001 | | | KORUGAN, ARA TAKVIYE, ARKA | HANDRAIL | 3 |
| 044 | 387037877101 | | | KORUGAN, CIFT, ENGELLI BOLGESI | HANDRAIL, DBL, DISABLED SECTION | 1 |
| 045 | 387032827001 | | | KORUGAN, SOL ARKA TEKER KOLTUK ONU | HANDRAIL | 1 |
| 046 | 387032819001 | | | KORUGAN, ORTA YATAY, ARKA | HANDRAIL | 2 |
| 049 | 387032828001 | | | KORUGAN, SOL ARKA, YATAY | HANDRAIL | 1 |
| 050 | 387037870001 | | | KORUGAN, DIKEY, ARKA TEKER USTU | HANDRAIL, VERTICAL | 2 |
| 053 | 387037832101 | | | KORUGAN, MOTOR BOLGESI | HANDRAIL, ENGINE REGION | 1 |
| 060 | 387006231001 | | | OZEL CIVATA | SPECIAL BOLT | 17 |
| 061 | 300580010101 | | | SOMUN, FLN&TR M10X1. 5, KALIN D. DIN 6923 | NUT, FLN&SRTD M10X1. 5, COARSE T. DIN 692 | 17 |
| 063 | 301700620101 | | | VIDA ALTI KOSE OYUKLU | BOLT | 46 |

Seats

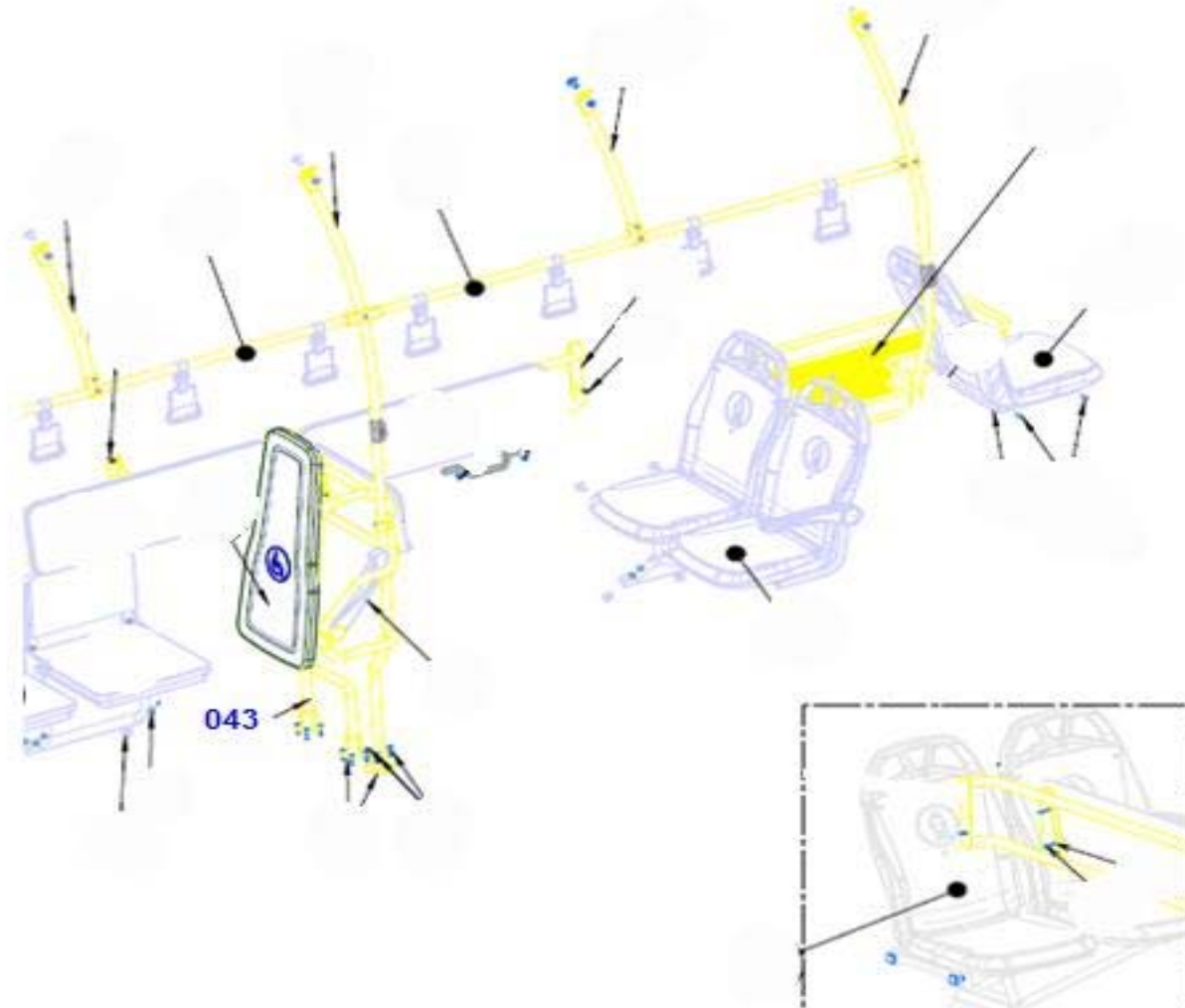
Interior Trim

0706

0706

Interior Trim

Seats



Picture No: EPL349350100-03

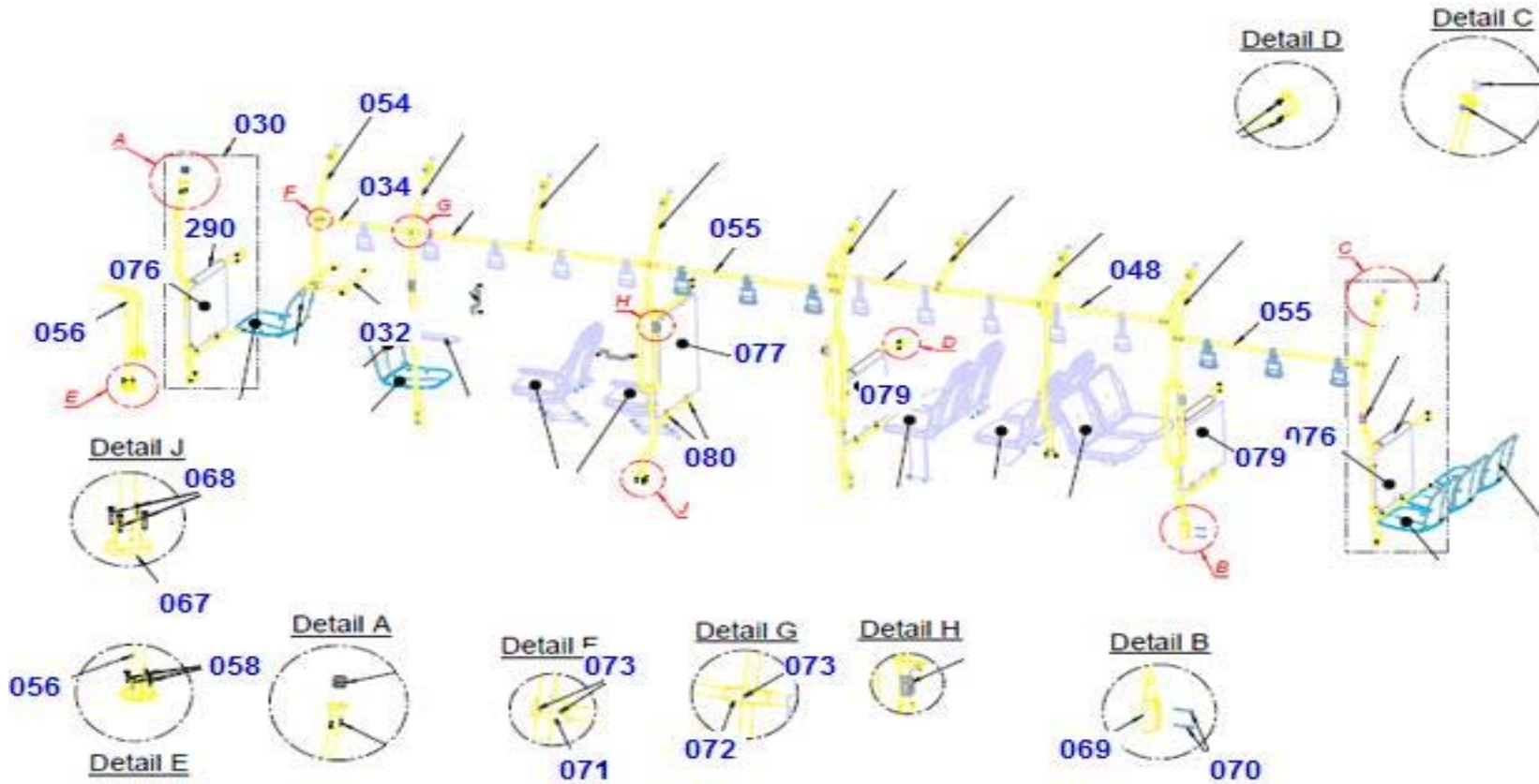


| POZ | Part No | N.S.N | Code | Part Name (Türkçe) | Part Name (English) | Quantity |
|-------|--------------|-------|------|---|---------------------|----------|
| 043 | 387036079001 | | | Seats KORUGAN, TEKERLEKLI SANDALYE VE SIRT DAY | HANDRAIL | 1 |
| Seats | | | | Interior Trim | | 0706 |

0706

Interior Trim

Seats



Picture No: EPL349350200-00

| POZ | Part No | N.S.N | Code | Part Name (Türkçe) | Part Name (English) | Quantity |
|-----|--------------|-------|------|--|--|----------|
| | | | | Seats | | |
| 030 | 387032812101 | | | KORUGAN, ON TESETTUR | HANDRAIL, FRONT COVER | 1 |
| 032 | 387036055001 | | | KORUGAN, FRP USTU, SAG | HANDRAIL | 1 |
| 034 | 387032892001 | | | KORUGAN, ON YATAY, SAG | HANDRAIL | 1 |
| 048 | 387036075001 | | | KORUGAN, SAG, ARKA, YATAY | HANDRAIL | 1 |
| 054 | 387038704001 | | | KORUGAN, SAG TEKER USTU | HANDRAIL | 1 |
| 055 | 387039418001 | | | KORUGAN, YATAY, ORTA VE ARKA KAPI ONU | HANDRAIL | 2 |
| 056 | 387044018001 | | | KORUGAN, ON KAPI GIRIS | HANDRAIL, FRONT DOOR ENTRY | 1 |
| 058 | 300090635101 | | | CIVATA, SLB M6X35, KALIN D. DIN912 | BOLT, SOCKET M6X35, COARSE T. DIN912 | 8 |
| 067 | 387038819001 | | | KORUGAN BAG. ALT BRKT, SARI RAL 1016 | HANDRAIL BRACKET, YELLOW RAL 1016 | 4 |
| 068 | 300090635101 | | | CIVATA, SLB M6X35, KALIN D. DIN912 | BOLT, SOCKET M6X35, COARSE T. DIN912 | 16 |
| 069 | 387038818001 | | | KORUGAN BAGLANTI BRAKETI, SARI RAL 1016 | HANDRAIL BRACKET, YELLOW RAL 1016 | 4 |
| 070 | 300090660301 | | | CIVATA, SLB M6X60, KALIN D. DIN912 | BOLT, SOCKET M6X60, COARSE T. DIN912 | 8 |
| 071 | 387038820001 | | | KELEPCE, CAP 30, SARI, RAL 1016 | CLAMP, YELLOW, RAL 1016 | 22 |
| 072 | 387038827001 | | | KELEPCE, OZEL, CAP 30, SARI, RAL 1016 | CLAMP | 5 |
| 073 | 302520520001 | | | POP PERCIN, CELIK (5 x 20) | RIVET, ST (5 X 20) | 49 |
| 076 | 387041234101 | | | TESETTUR CAMI, LAMINE, ON VE ARKA KAPI | COVER WINDOW, LAMINATED, FRT AND RR DOOR | 2 |
| 077 | 387041235201 | | | TESETTUR CAMI, LAMINE, ORTA KAPI ONU | COVER WINDOW, LAMINATED CENTER DOOR FRT | 1 |
| 079 | 387041237101 | | | TESETTUR CAMI, ORTA KAPI ARK. ARKA KP.ON | COVER WINDOW, CENT. DOOR RR &RR DOOR FRT | 2 |
| 080 | 387046937001 | | | KELEPCE, CAM TUTUCU | GLASS FIXING PART | 14 |
| 290 | 387027176001 | | | POLURETAN L=448, KORUGAN | POLYURETHANE, HAND RAIL | 1 |

Seats

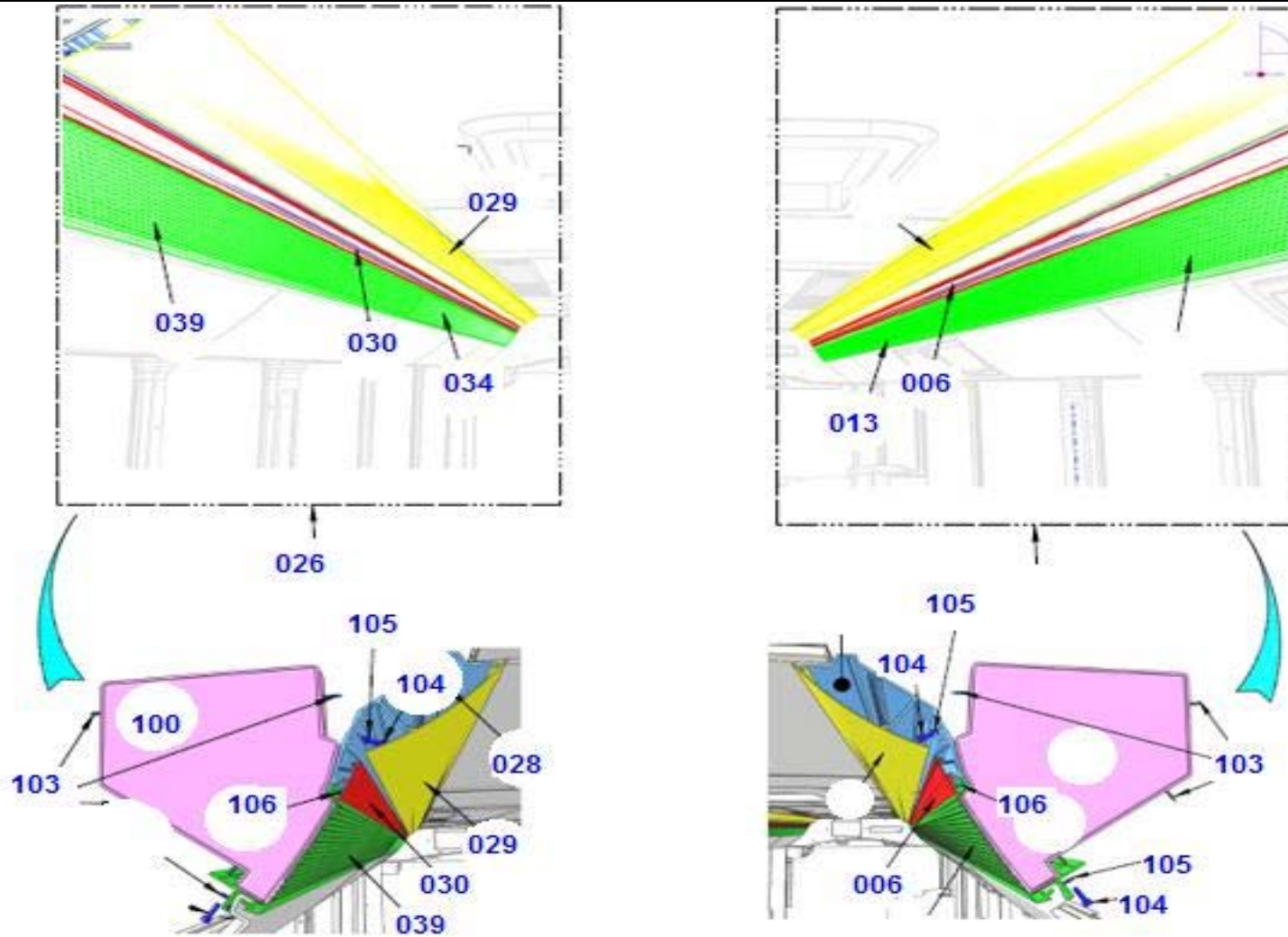
Interior Trim

0706

0707

Interior Trim

Upper Shelf



Picture No: EPL349330100-00



| POZ | Part No | N.S.N | Code | Part Name (Türkçe) | Part Name (English) | Quantity |
|-----|--------------|-------|------|---|--|----------|
| | | | | <i>Upper Shelf</i> | | |
| 006 | 387033100001 | | | PVC KAPAMA, HAVA KANALI AL SAG | PVC COVER, AIR FUNNEL RIGHT | 1 |
| 013 | 387038380201 | | | ALMN. UFLEME PROFILI KOMP, HAVA KAN.SAG1 | ALMN. BLOWER PROFILE ASM. AIRDUCT RIGHT1 | 1 |
| 026 | 387033097301 | | | ALMN. GRUBU, HAVA KANALI SOL | ALMN. GROUP, AIR DUCT LEFT | 1 |
| 028 | 387033079201 | | | AL AYDINLATMA PROFILI, HAVA KANALI SOL 2 | LIGHTING PROFILE, AIR DUCT LEFT 2 | 1 |
| 029 | 387033099101 | | | PC LENS, HAVA KANALI ALMN. SOL | PC LENS, AIR DUCT ALMN. LEFT | 1 |
| 030 | 387033101001 | | | PVC KAPAMA, HAVA KANALI AL SOL | PVC COVER, AIR FUNNEL LEFT | 1 |
| 034 | 387038382201 | | | ALMN. UFLEME PROFILI KOMP, HAVA KAN.SOL1 | ALMN. BLOWER PROFILE ASM. AIRDUCT LEFT1 | 1 |
| 039 | 387038383201 | | | ALMN. UFLEME PROFILI KOMP, HAVA KAN.SOL2 | ALMN. BLOWER PROFILE ASM. AIRDUCT LEFT2 | 1 |
| 100 | 387033072001 | | | ABS, HAVA KANALI AGZI TIP 1 | ABS, AIR FUNNEL OUTLET TYPE 1 | 2 |
| 103 | 301894825301 | | | VIDA | SCREW | 20 |
| 104 | 300090620301 | | | CIVATA, SLB M6X20, KALIN D. DIN912 | BOLT, SOCKET M6X20, COARSE T. DIN912 | 98 |
| 105 | 301000006101 | | | RONDELA, DUZ D=6 DIN 125 | PIPE, AIR INTAKE | 98 |
| 106 | 387007746001 | | | VIDA 3, 9 X 13, YSB KENDINDEN MATKAP UCLU | SCREW | 74 |

Upper Shelf

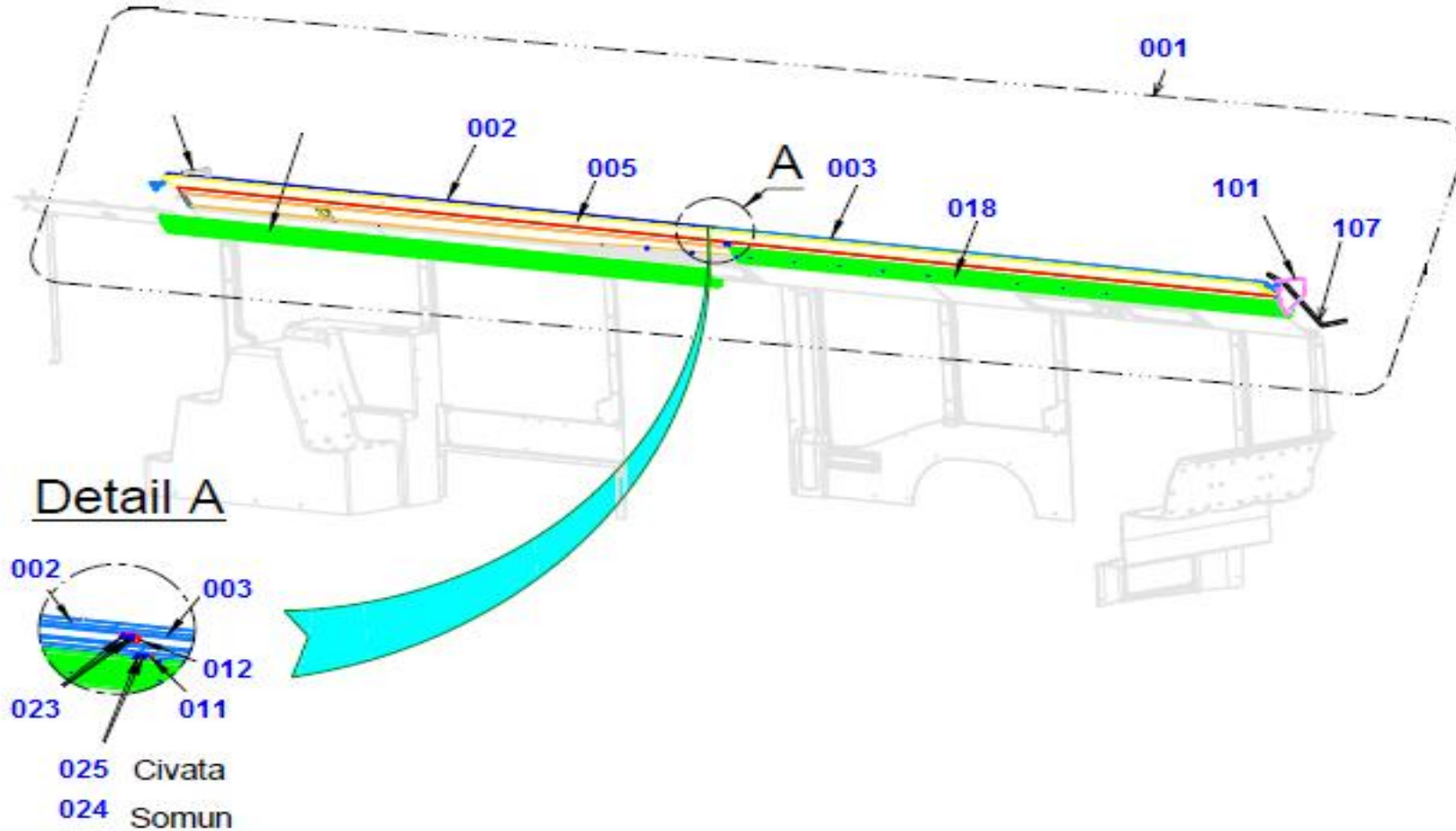
Interior Trim

0707

0707

Interior Trim

Upper Shelf



Picture No: EPL3493302-00



| POZ | Part No | N.S.N | Code | Part Name (Türkçe) | Part Name (English) | Quantity |
|-----|--------------|-------|------|---|--|----------|
| | | | | <i>Upper Shelf</i> | | |
| 001 | 387033096301 | | | ALMN. GRUBU, HAVA KANALI SAG | ALMN. GROUP, AIR DUCT RIGHT | 1 |
| 002 | 387033076301 | | | AL AYDINLATMA PROFILI, HAVA KANALI SAG 1 | LIGHTING PROFILE, AIR DUCT RIGHT 1 | 1 |
| 003 | 387038377301 | | | ALMN. AYDINLATMA PROFILI, HAVA KAN. SAG2 | ALMN. LIGHTING PROFILE, AIR DUCT RIGHT 2 | 1 |
| 005 | 387033098101 | | | PC LENS, HAVA KANALI ALMN. SAG | PC LENS, AIR DUCT ALMN. RIGHT | 1 |
| 011 | 387034618101 | | | BRACKET ALT, ALMN. AYDINLT. PROF. BIRLES. | BRCKT LOWER ALMN. LIGHTING PROF. CONNECT | 1 |
| 012 | 387034619001 | | | BRACKET, UST, AL AYDINLATMA PROFILI BIRLE | BRACKET, UPPER | 1 |
| 018 | 387038381201 | | | ALMN. UFLEME PROFILI KOMP, HAVA KAN.SAG2 | ALMN. BLOWER PROFILE ASM. AIRDUCT RIGHT2 | 1 |
| 023 | 301904219201 | | | VIDA, 4.2x19 DIN 7981 SARI | SCREW, 4.2X19 DIN 7981 YELLOW | 4 |
| 024 | 300580006601 | | | SOMUN, FLN&TR M6X1, KALIN D. DIN6923 | NUT, FLN&SRTD M6X1, COARSE T. DIN6923 | 2 |
| 025 | 300120620601 | | | CIVATA, FLN M6X1X20, KALIN D. DIN6921 | BOLT, FLN M6X1X20, COARSE T. DIN6921 | 2 |
| 101 | 387033073001 | | | ABS, HAVA KANALI AGZI TIP 2 | ABS, AIR FUNNEL OUTLET TYPE 2 | 2 |
| 107 | 387038379101 | | | SUNGER, KAPAMA | SPONGE, COVER | 5 |

Upper Shelf

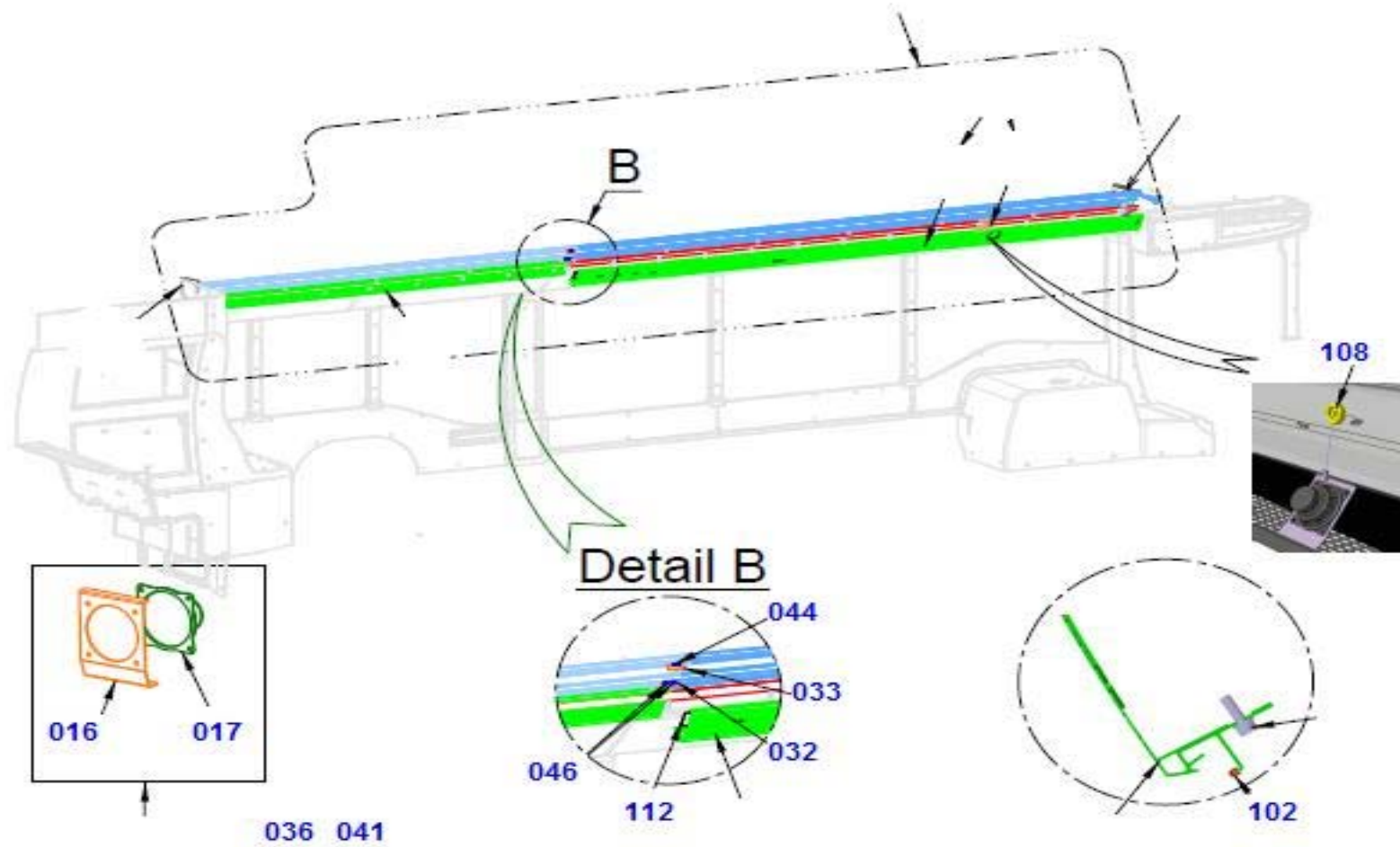
Interior Trim

0707

0707

Interior Trim

Upper Shelf



Picture No: EPL3493302-01

| POZ | Part No | N.S.N | Code | Part Name (Türkçe) | Part Name (English) | Quantity |
|-----|--------------|-------|------|--|--|----------|
| | | | | <i>Upper Shelf</i> | | |
| 016 | 387034480001 | | | SAC BRAKET, HOPARLOR ARAC ICI | SHEET BRACKET | 1 |
| 017 | 387034482001 | | | HOPARLOR, ARAC ICI | LOUDSPEAKER, INSIDE VEHICLE | 1 |
| 032 | 387034618101 | | | BRAKET ALT, ALMN. AYDINLT. PROF. BIRLES. | BRCKT LOWER ALMN. LIGHTING PROF. CONNECT | 1 |
| 033 | 387034619001 | | | BRAKET, UST, AL AYDINLATMA PROFILI BIRLE | BRACKET, UPPER | 1 |
| 036 | 387034250001 | | | HOPARLOR KOMPLESI, ARAC ICI | LOUDSPEAKER, INSIDE VEHICLE | 1 |
| 041 | 387034250001 | | | HOPARLOR KOMPLESI, ARAC ICI | LOUDSPEAKER, INSIDE VEHICLE | 1 |
| 044 | 301904219201 | | | VIDA, 4.2x19 DIN 7981 SARI | SCREW, 4.2X19 DIN 7981 YELLOW | 4 |
| 046 | 300120620601 | | | CIVATA, FLN M6X1X20, KALIN D. DIN6921 | BOLT, FLN M6X1X20, COARSE T. DIN6921 | 2 |
| 102 | 387019529001 | | | FITIL, FRP | FRP WEATHERSTRIP | 20 |
| 108 | 388881883001 | | | GROMET | GROMMET | 4 |
| 112 | 387040626001 | | | KAPAMA PARCASI, UFLEME ALANI SOL I | COVER, BLOWING AREA LEFT I | 1 |

Upper Shelf

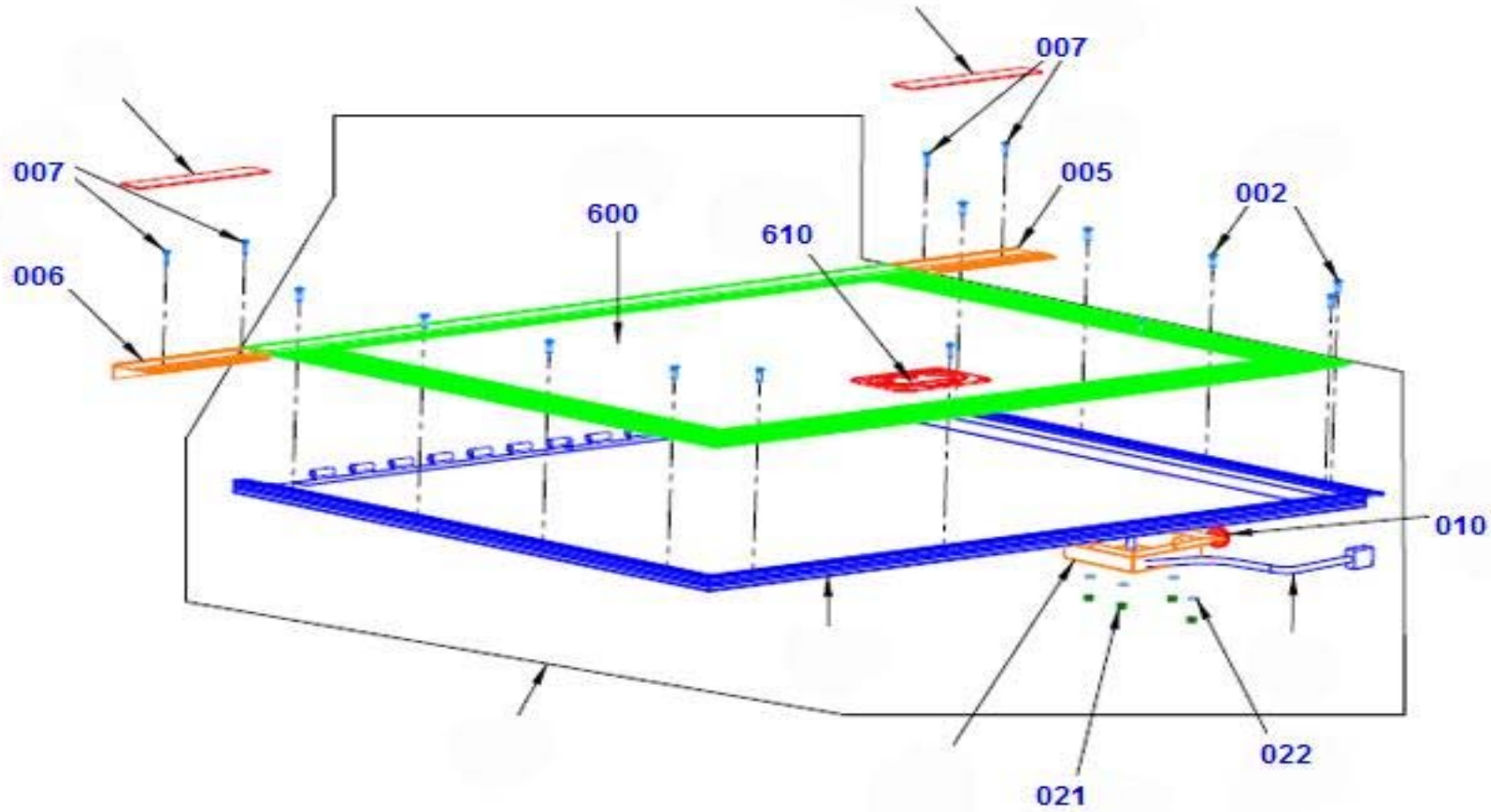
Interior Trim

0707

0707

Interior Trim

Upper Shelf



Picture No: EPL349930100-00



| POZ | Part No | N.S.N | Code | Part Name (Türkçe) | Part Name (English) | Quantity |
|-----|--------------|-------|------|-------------------------------------|------------------------------------|----------|
| | | | | <i>Upper Shelf</i> | | |
| 002 | 301854219101 | | | SAC VIDASI DIN 7983 | SCREW | 12 |
| 005 | 387038709001 | | | ALUMINYUM PROFIL | ALUMINIUM PROFILE | 1 |
| 006 | 387038710001 | | | ALUMINYUM PROFIL | ALUMINIUM PROFILE | 1 |
| 007 | 301853516301 | | | VIDA | SCREW | 4 |
| 010 | 388883158001 | | | GROMET | GROMMET | 1 |
| 021 | 300500005101 | | | SOMUN, AKB M5X0. 8, KALIN D. DIN934 | NUT, HEX M5X0. 8, COARSE T. DIN934 | 4 |
| 022 | 301000005101 | | | RONDELA, DUZ D=5 DIN 125 | WASHER, PLAIN D= 5 DIN 125 | 4 |
| 600 | 387038718001 | | | RAMPA UST PARCA KOMPLE | RAMP ASSY. UPPER | 1 |
| 610 | 387038717001 | | | TUTAMAK KOMPLE | HANDLE ASM | 1 |

Upper Shelf

Interior Trim

0707

Bölüm Sonu

ANADOLU ISUZU OTOMOTIV SAN. TIC. A.S.

ISUZU



ANADOLU GRUBU

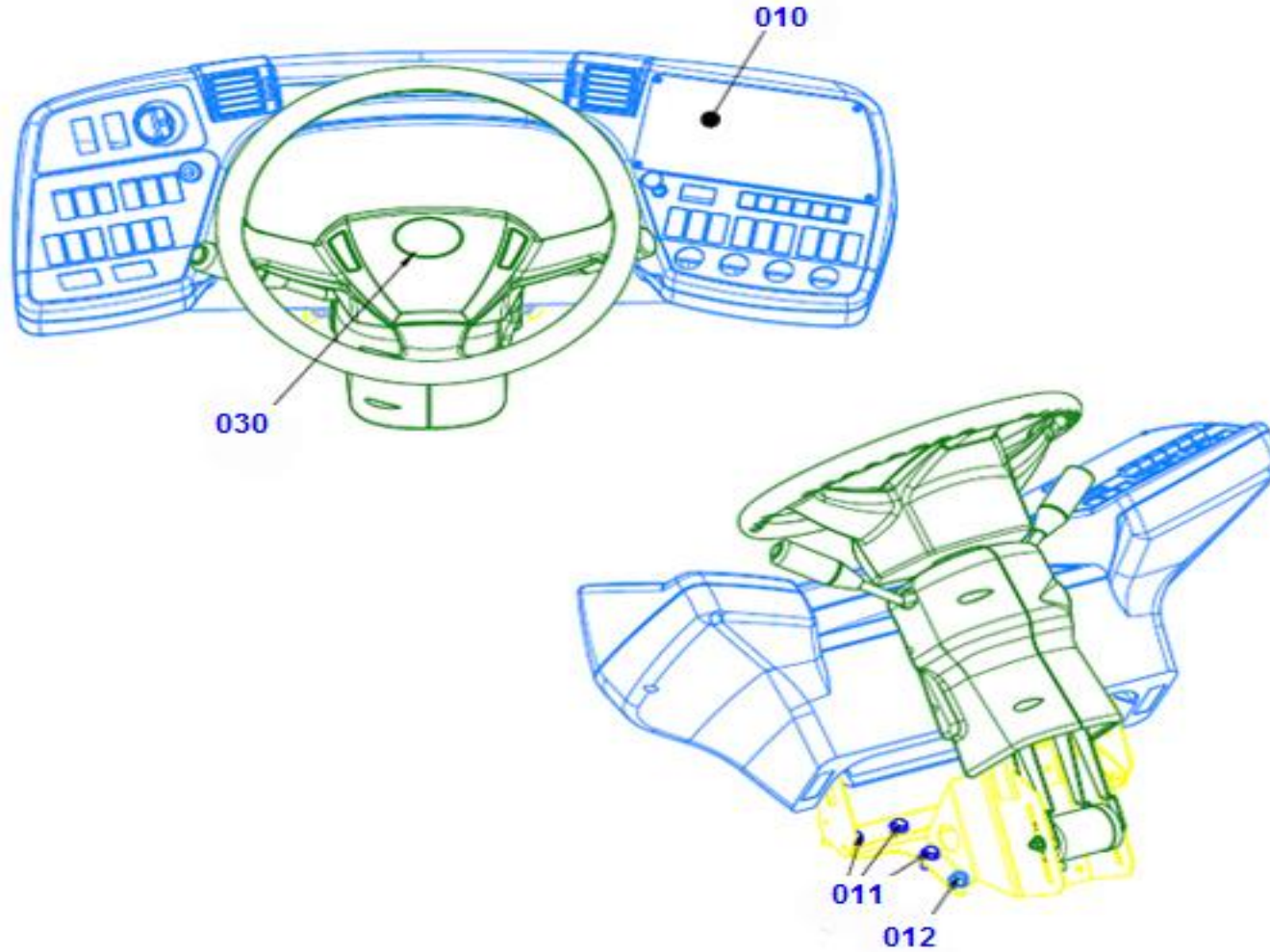
CITIPORT AT E6

08-Electric&Electronic

0801

Electric&Electronic

Meter Asm



Picture No: EPL348210100-00



| POZ | Part No | N.S.N | Code | Part Name (Türkçe) | Part Name (English) | Quantity |
|-----|--------------|-------|------|---|---|----------|
| | | | | <i>Meter Asm</i> | | |
| 010 | 387032951151 | | | PANEL, SOFOR | PODIUM WITH MULTIC II | 1 |
| 010 | 387044757051 | | | ANAHTAR, GOSTERGE PANELI | SWITCH DESTINATION/LIGHT SIGN | 1 |
| 011 | 300121025601 | | | CIVATA, FLN M10X1. 5X25, KALIN D. DIN6921 | BOLT, FLN M10X1. 5X25, COARSE T. DIN6921 | 6 |
| 012 | 300580010201 | | | SOMUN, FLN&TR M10X1. 5, KALIN D. DIN 6923 | NUT, FLN&SRTD M10X1. 5, COARSE T. DIN 692 | 2 |
| 030 | 387039500001 | | | AMBLEM, DIREKSİYON | LOGO, STEERING | 1 |

Meter Asm

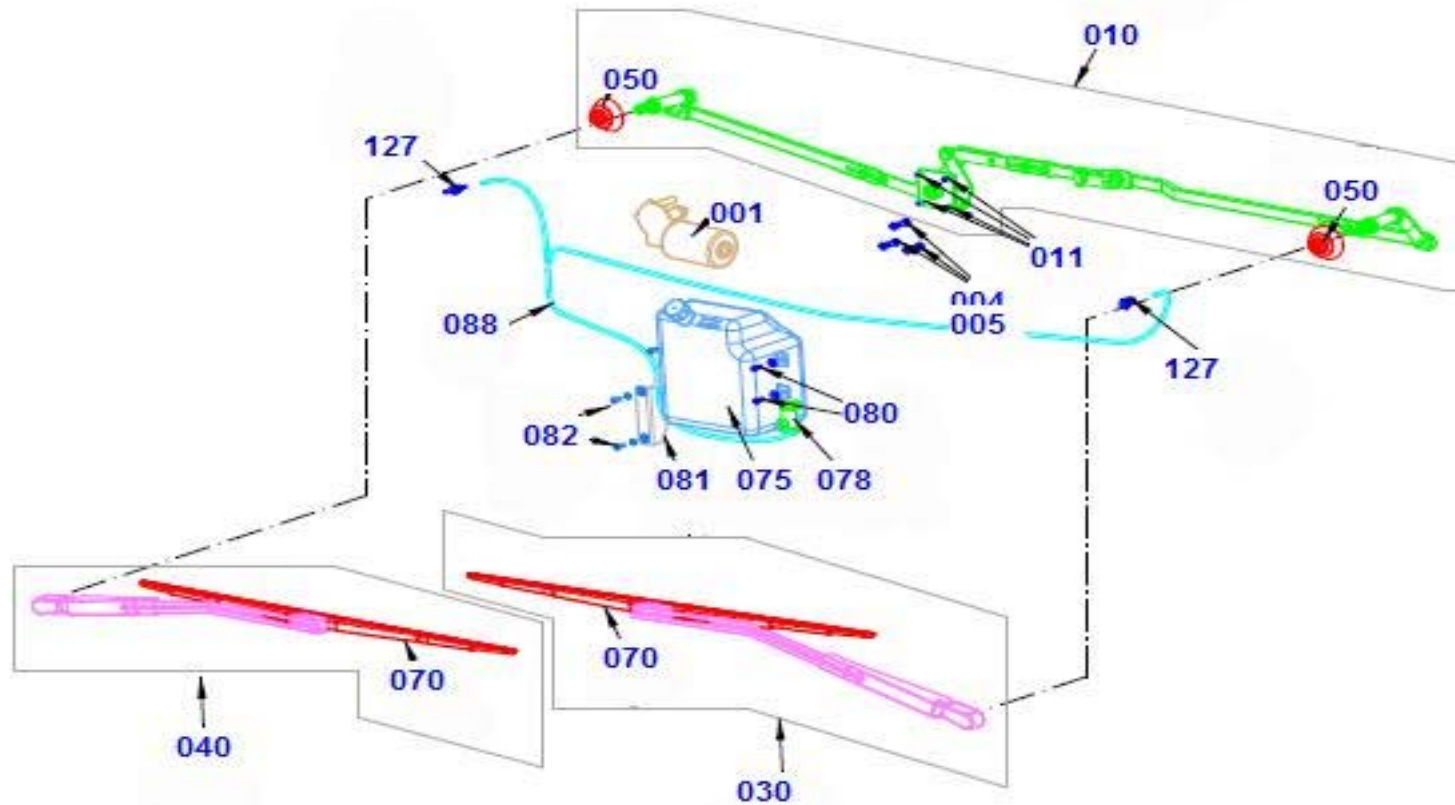
Electric&Electronic

0801

0802

Electric&Electronic

Windshield Wiper & Washer



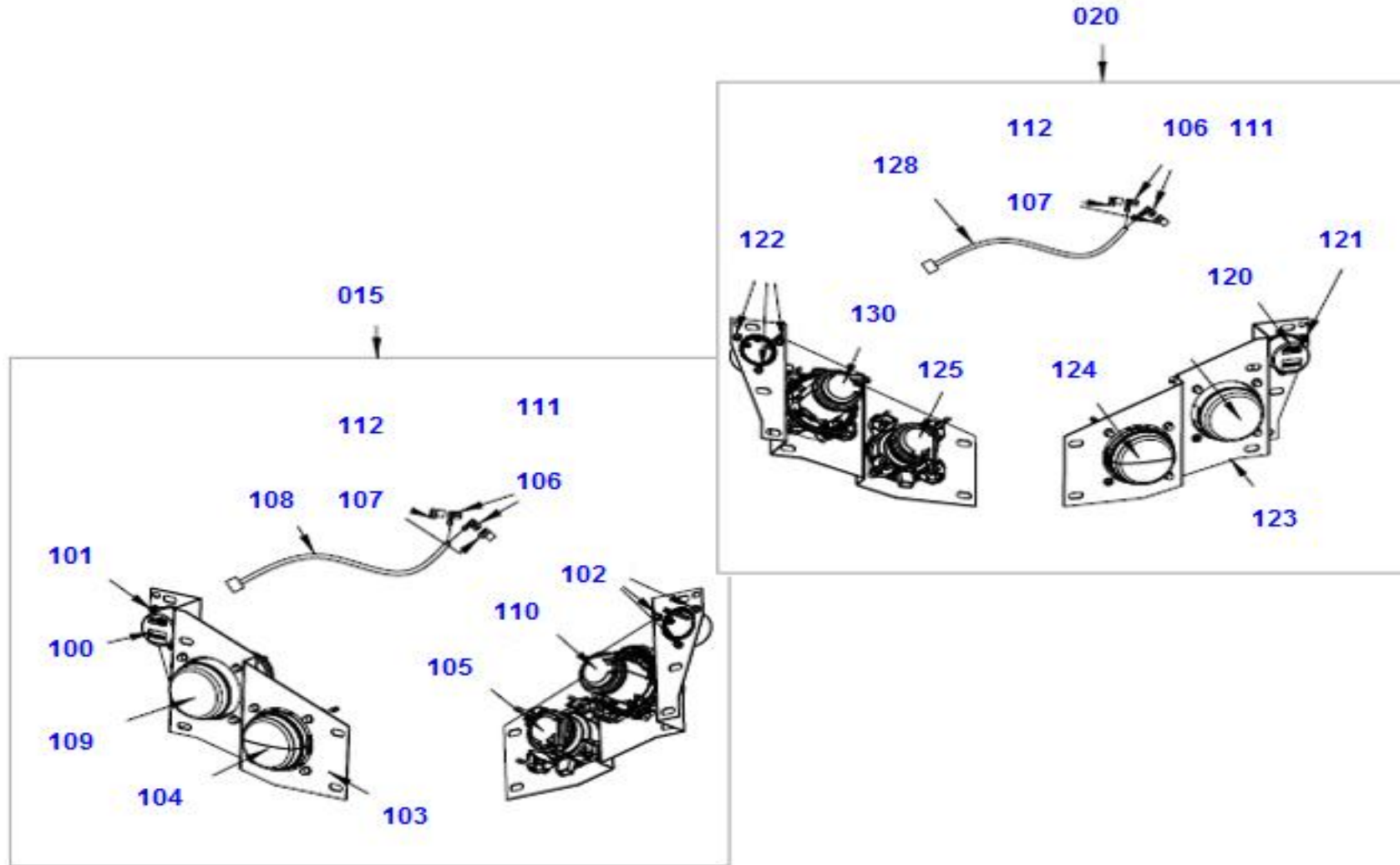
Picture No: EPL349120100-00

| POZ | Part No | N.S.N | Code | Part Name (Türkçe) | Part Name (English) | Quantity |
|-----|--------------|-------|------|--|---|----------|
| | | | | <i>Windshield Wiper & Washer</i> | | |
| 001 | 388883726001 | | | SILECEK MOTORU | MOTOR ASM, WIPER | 1 |
| 004 | 301010008201 | | | RONDELA, YAYLI D=8 DIN 127 | WASHER, SPRING D= 8 DIN 127 | 3 |
| 005 | 300010820201 | | | CIVATA, AKB M8X1. 25X20, KALIN D. DIN933 | BOLT, HEX M8X1. 25X20, COARSE T. DIN933 | 3 |
| 010 | 387035714201 | | | SILECEK IC KOLLARI | WIPER INNER ARMS | 1 |
| 011 | 301010008201 | | | RONDELA, YAYLI D=8 DIN 127 | WASHER, SPRING D= 8 DIN 127 | 4 |
| 012 | 300010820201 | | | CIVATA, AKB M8X1. 25X20, KALIN D. DIN933 | BOLT, HEX M8X1. 25X20, COARSE T. DIN933 | 4 |
| 030 | 387035759101 | | | SILECEK KOLU, SOL | WOPER ARM, LEFT | 1 |
| 040 | 387035762101 | | | SILECEK KOLU, SAG | WIPER ARM, RIGHT | 1 |
| 050 | 387018545001 | | | LASTIK KORUK | RUBBER BELLOW | 2 |
| 070 | 387022543001 | | | SILECEK SUPURGESI | WIPER BLADES | 1 |
| 075 | 387028543101 | | | SILECEK SU DEPOSU | WIPER WATER TANK | 1 |
| 078 | 387018215001 | | | SILECEK SU MOTORU | PUMP ASM, WASHER TANK | 1 |
| 080 | 301500620101 | | | CIVATA, 6X20 | BOLT, 6X20 | 2 |
| 081 | 387035116001 | | | BRAKET KOMPLE, SILECEK DEPO | BRACKET, WIPER TANK | 1 |
| 082 | 301500620101 | | | CIVATA, 6X20 | BOLT, 6X20 | 4 |
| 083 | 301000006101 | | | RONDELA, DUZ D=6 DIN 125 | PIPE, AIR INTAKE | 4 |
| 087 | 301010006101 | | | RONDELA, YAYLI D=6 DIN 127 | WASHER, SPRING D= 6 DIN 127 | 4 |
| 088 | 387035198001 | | | HORTUM KOMPLE | HOSE | 1 |
| 127 | 388884127101 | | | DIRSEK, CAM YIKAMA HORT. | WATER INJ. PIPE | 2 |

Windshield Wiper & Washer

Electric&Electronic

0802

0803**Electric&Electronic****Headlamps, Fog,Park,Signal,Stop And Plate Lamps**

Picture No: EPL349100100-00

| POZ | Part No | N.S.N | Code | Part Name (Türkçe) | Part Name (English) | Quantity |
|-----|--------------|-------|------|--|--|----------|
| | | | | <i>Headlamps, Fog,Park,Signal,Stop And Plate Lamps</i> | | |
| 015 | 387038586401 | | | FAR KOMPLE, SAG | HEADLAMP, RIGHT | 1 |
| 020 | 387038587401 | | | FAR KOMPLE, SOL | HEADLAMP, LEFT | 1 |
| 100 | 387028006301 | | | SINYAL, ON, LEDLI | SIGNAL, FRONT W/ LED | 1 |
| 101 | 301500515801 | | | VIDA M5 | SCREW M5 | 3 |
| 102 | 300580005101 | | | SOMUN, FLN&TR M5X0. 8, KALIN D. DIN6923 | NUT, FLN&SRTD M5X0. 8, COARSE T. DIN6923 | 3 |
| 103 | 387032691101 | | | BRAKET, LAMBA, TUTUCU, SAG | BRACKET, LAMP, HOLDER, RIGHT | 1 |
| 104 | 387002469001 | | | FAR, UZUN HUZMELI PARK LAM. 1K0 008191-02 | HEADLAMP, LONG WITH PARK LAMP | 1 |
| 105 | 387002547001 | | | BASLIK, LASTIK _ 9GH 152 654-007 | CAP, RUBBER | 1 |
| 106 | 387023899001 | | | DISI TERMINAL, EGRI | PLUG, FEMALE | 2 |
| 107 | 387023900001 | | | SOKET, EGRI DISI FIS | SOCKET | 2 |
| 108 | 377772165101 | | | ENSTELASYON, ARA (GOVDE-SIS LAMBASI) | HARNESS, CONNECTOR (BODY-FOG LAMP) | 2 |
| 109 | 387002471001 | | | FAR, KISA HUZMELI_1BL 008 193-017 | DIPPED BEAM HEAD LAMP | 1 |
| 110 | 387002547001 | | | BASLIK, LASTIK _ 9GH 152 654-007 | CAP, RUBBER | 1 |
| 111 | 387023899001 | | | DISI TERMINAL, EGRI | PLUG, FEMALE | 2 |
| 112 | 387023900001 | | | SOKET, EGRI DISI FIS | SOCKET | 2 |
| 120 | 387028006301 | | | SINYAL, ON, LEDLI | SIGNAL, FRONT W/ LED | 1 |
| 121 | 301500515801 | | | VIDA M5 | SCREW M5 | 3 |
| 122 | 300580005101 | | | SOMUN, FLN&TR M5X0. 8, KALIN D. DIN6923 | NUT, FLN&SRTD M5X0. 8, COARSE T. DIN6923 | 3 |
| 123 | 387036186101 | | | BRAKET, LAMBA, TUTUCU, SOL | BRACKET, LAMP, HOLDER, LEFT | 1 |
| 124 | 387002469001 | | | FAR, UZUN HUZMELI PARK LAM. 1K0 008191-02 | HEADLAMP, LONG WITH PARK LAMP | 1 |
| 125 | 387002547001 | | | BASLIK, LASTIK _ 9GH 152 654-007 | CAP, RUBBER | 1 |
| 128 | 377772165101 | | | ENSTELASYON, ARA (GOVDE-SIS LAMBASI) | HARNESS, CONNECTOR (BODY-FOG LAMP) | 2 |
| 130 | 387002547001 | | | BASLIK, LASTIK _ 9GH 152 654-007 | CAP, RUBBER | 1 |

Headlamps, Fog,Park,Signal,Stop And Plate Lamps

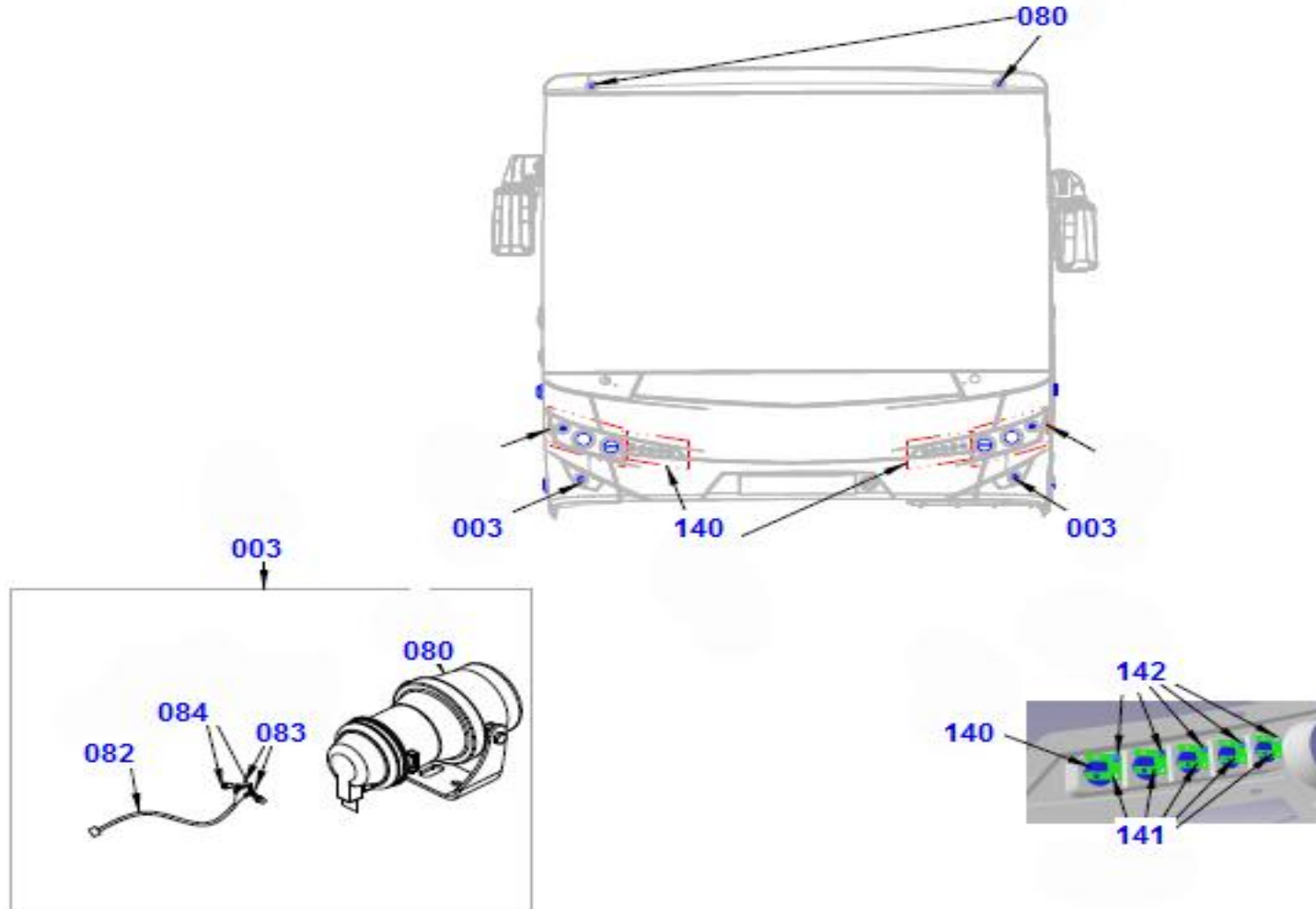
Electric&Electronic

0803

0803

Electric&Electronic

Headlamps, Fog,Park,Signal,Stop And Plate Lamps



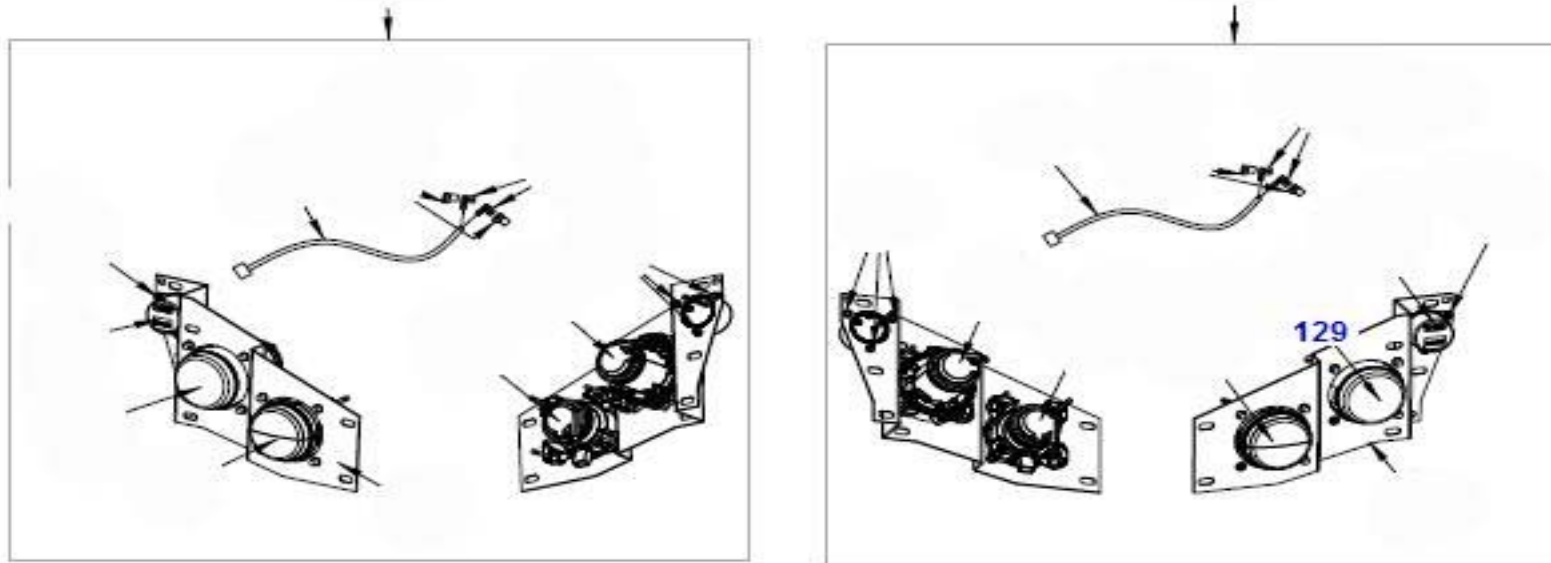
Picture No: EPL349100100-01

| POZ | Part No | N.S.N | Code | Part Name (Türkçe) | Part Name (English) | Quantity |
|-----|--------------|-------|------|--|--------------------------------------|----------|
| | | | | <i>Headlamps, Fog,Park,Signal,Stop And Plate Lamps</i> | | |
| 003 | 387022710101 | | | SIS LAMBASI, ON KOMPLE | LAMP, FOG | 2 |
| 080 | 387019764001 | | | SIS LAMBASI, ON 1NL 008 090-117 | FOG LIGHT MICRO DE, H3 24 V, FITTING | 1 |
| 080 | 387028003201 | | | LAMBA, GABARI, ON | LAMP, GABARITE FRONT | 2 |
| 082 | 377772165101 | | | ENSTELASYON, ARA (GOVDE-SIS LAMBASI) | HARNESS, CONNECTOR (BODY-FOG LAMP) | 1 |
| 083 | 387023899001 | | | DISI TERMINAL, EGRI | PLUG, FEMALE | 2 |
| 084 | 387023900001 | | | SOKET, EGRI DISI FIS | SOCKET | 2 |
| 140 | 387028005201 | | | DAYTIME RUNNING LIGHT | DAYTIME RUNNING LIGHT | 1 |
| 141 | 387032433001 | | | BRAKET, DTRL, BAGLANTI | BRACKET, DTRL, FIXING | 10 |
| 142 | 301500510801 | | | VIDA, M5X10 DIN 7986 | SCREW M5X10 DIN 7986 | 10 |

Headlamps, Fog,Park,Signal,Stop And Plate Lamps

Electric&Electronic

0803

0803**Electric&Electronic****Headlamps, Fog,Park,Signal,Stop And Plate Lamps**

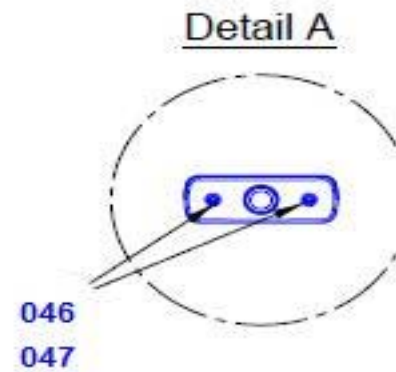
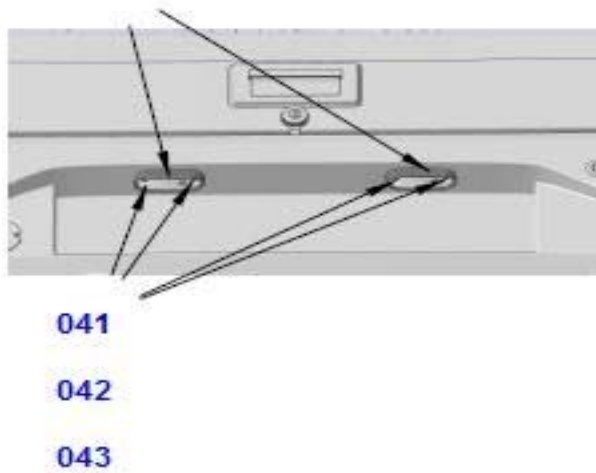
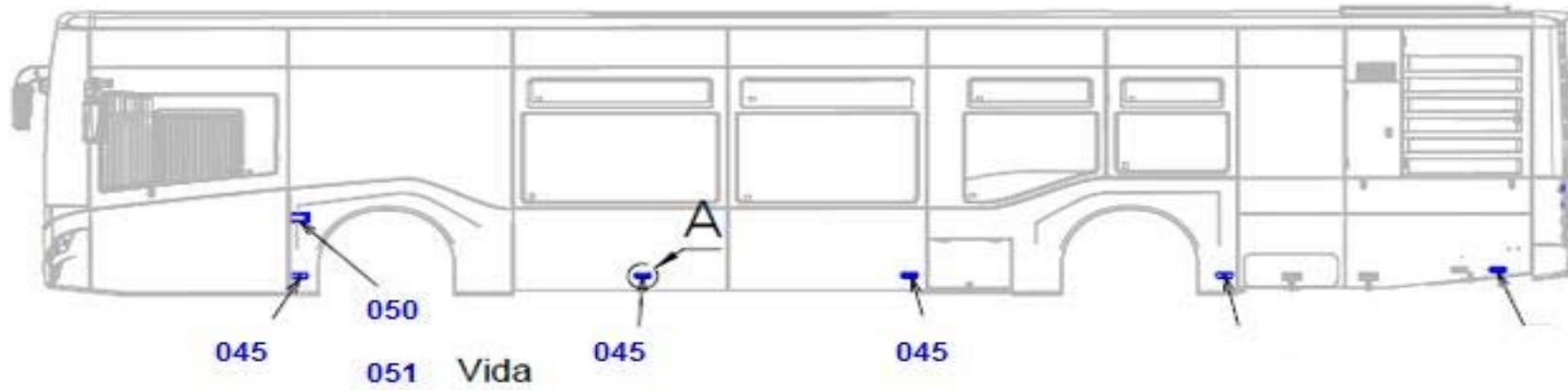
Picture No: EPL349100100-02

| POZ | Part No | N.S.N | Code | Part Name (Türkçe) | Part Name (English) | Quantity |
|---|--------------|-------|------|---|-----------------------|----------|
| 129 | 387002471001 | | | <i>Headlamps, Fog,Park,Signal,Stop And Plate Lamps</i> FAR, KISA HUZMELI_1BL 008 193-017 | DIPPED BEAM HEAD LAMP | 1 |
| Headlamps, Fog,Park,Signal,Stop And Plate Lamps | | | | Electric&Electronic | | 0803 |

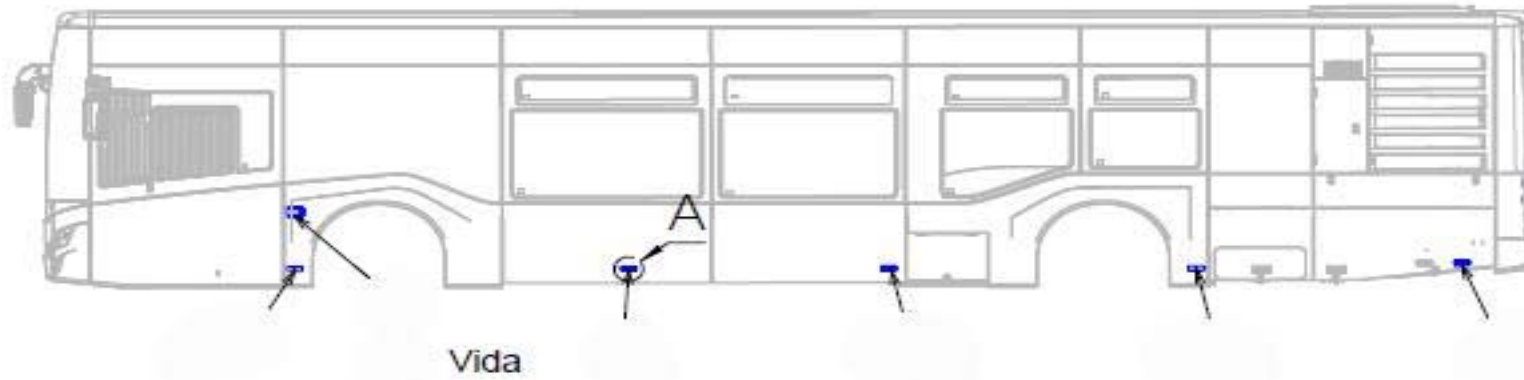
0803

Electric&Electronic

Headlamps, Fog,Park,Signal,Stop And Plate Lamps



| POZ | Part No | N.S.N | Code | Part Name (Türkçe) | Part Name (English) | Quantity |
|-----|--------------|-------|------|--|------------------------------------|-------------|
| | | | | <i>Headlamps, Fog,Park,Signal,Stop And Plate Lamps</i> | | |
| 041 | 301500420801 | | | VIDA M4X0. 75X20 | SCREW | 4 |
| 042 | 300500004101 | | | SOMUN, AKB M4X0. 7, KALIN D. DIN934 | NUT, HEX M4X0. 7, COARSE T. DIN934 | 4 |
| 043 | 301010004101 | | | RONDELA, YAYLI D=4 DIN 127 | WASHER, SPRING D= 4 DIN 127 | 4 |
| 045 | 387013160101 | | | PARK LAMBASI, YAN | PARKING LAMP, SIDE | 10 |
| 046 | 301500420801 | | | VIDA M4X0. 75X20 | SCREW | 20 |
| 047 | 387004318001 | | | KUCUK O-RING, SIDE MARKER | SMALL O-RING-SIDEMARKER | 23 |
| 050 | 387022717201 | | | LAMBA, YAN, SINYAL, LEDLI | LAMP, SIDE SIGNAL, WITH LED | 2 |
| 051 | 301500420801 | | | VIDA M4X0. 75X20 | SCREW | 6 |
| | | | | Headlamps, Fog,Park,Signal,Stop And Plate Lamps | Electric&Electronic | 0803 |

0803**Electric&Electronic****Headlamps, Fog,Park,Signal,Stop And Plate Lamps**

Picture No: EPL349100200-01



| POZ | Part No | N.S.N | Code | Part Name (Türkçe) | Part Name (English) | Quantity |
|-----|--------------|-------|------|--|--------------------------------|----------|
| | | | | <i>Headlamps, Fog,Park,Signal,Stop And Plate Lamps</i> | | |
| 030 | 37777844201 | | | LAMBA KOMPLE, ARKA SIS FARPLAS | LAMP ASM, REAR FOG | 2 |
| 031 | 37777845201 | | | LAMBA KOMPLE, ARKA GERI VITES FARPLAS | LAMP ASM, REAR REVERSE | 2 |
| 032 | 37777843201 | | | LAMBA KOMPLE, ARKA SINYAL FARPLAS | LAMP ASM, REAR SIGNAL | 2 |
| 033 | 37777842301 | | | LAMBA KOMPLE, ARKA PARK STOP FARPLAS | LAMP ASM. RR PARK STOP FARPLAS | 2 |
| 040 | 387036188101 | | | LAMBA, PLAKA | LAMP, PLATE | 2 |
| 070 | 388889132001 | | | REFLEKTOR, KIRMIZI | LAMP UNIT ASM, RED | 2 |
| 090 | 387028004201 | | | LAMBA, GABARI, ARKA | LAMP, GABARITE, RR | 2 |

Headlamps, Fog,Park,Signal,Stop And Plate Lamps

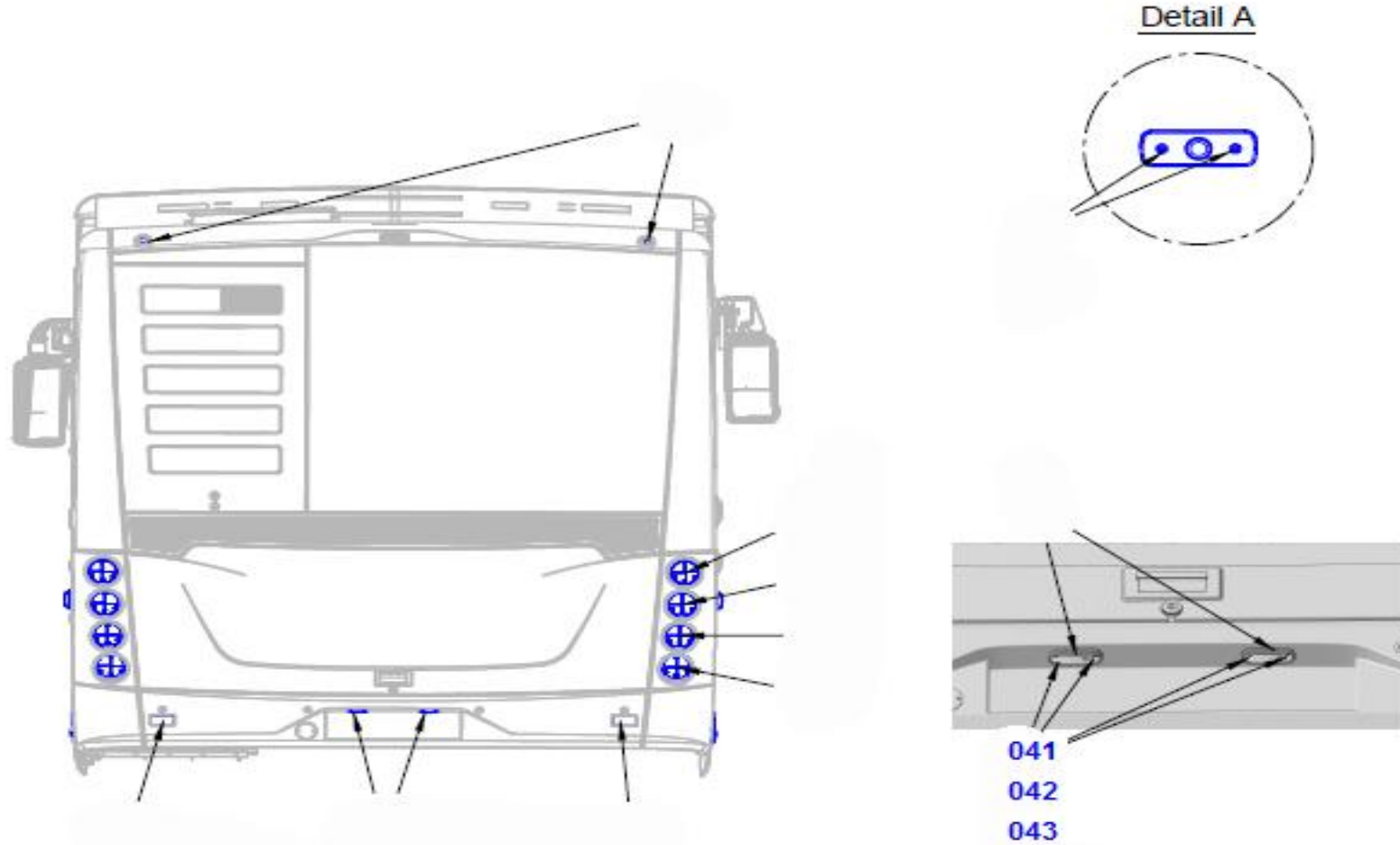
Electric&Electronic

0803

0803

Electric&Electronic

Headlamps, Fog,Park,Signal,Stop And Plate Lamps



Picture No: EPL349100200-02

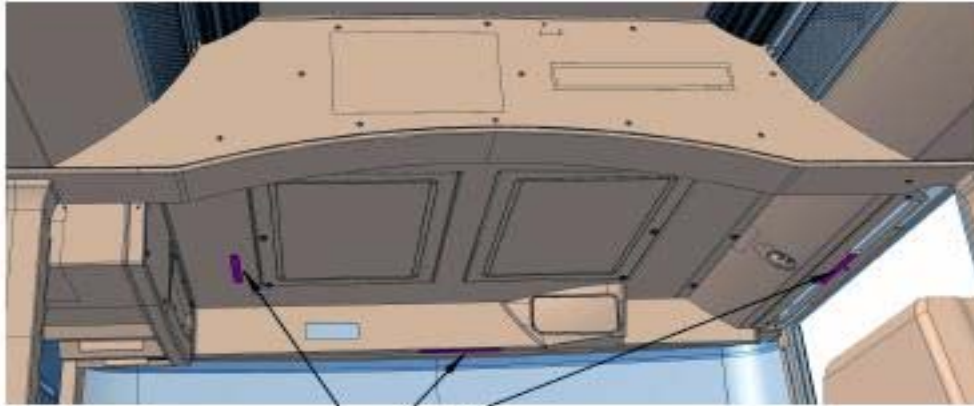


| POZ | Part No | N.S.N | Code | Part Name (Türkçe) | Part Name (English) | Quantity |
|-----|--------------|-------|------|---|--------------------------------|-------------|
| | | | | <i>Headlamps, Fog, Park, Signal, Stop And Plate Lamps</i> | | |
| 041 | 387023932001 | | | KIT, MEMBRAN, FITIL | KIT, MEMBRAN, CORD | 1 |
| 042 | 387023913001 | | | FITIL, HALKA Ø4x352MM | CORD, RING, Ø4x352MM | 1 |
| 043 | 387023912001 | | | BANT, NEM ONLEYICI | MEMBRAN, HUMIDITY REMOVER | 1 |
| | | | | Headlamps, Fog, Park, Signal, Stop And Plate Lamps | Electric&Electronic | 0803 |

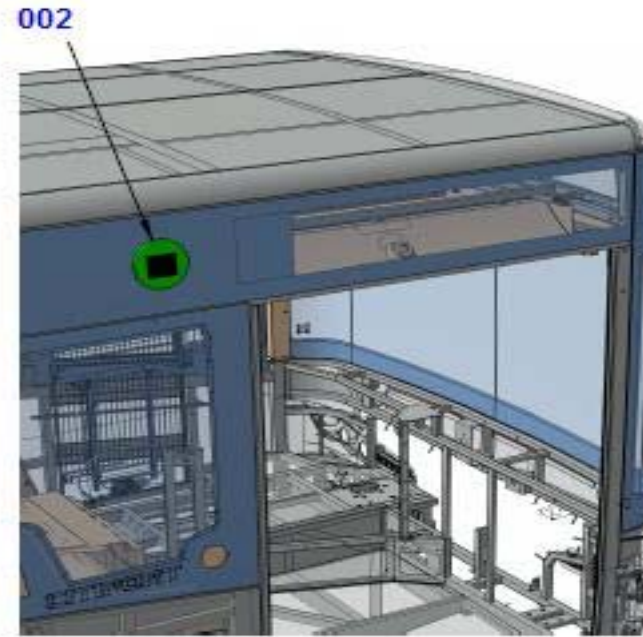
0804

Electric&Electronic

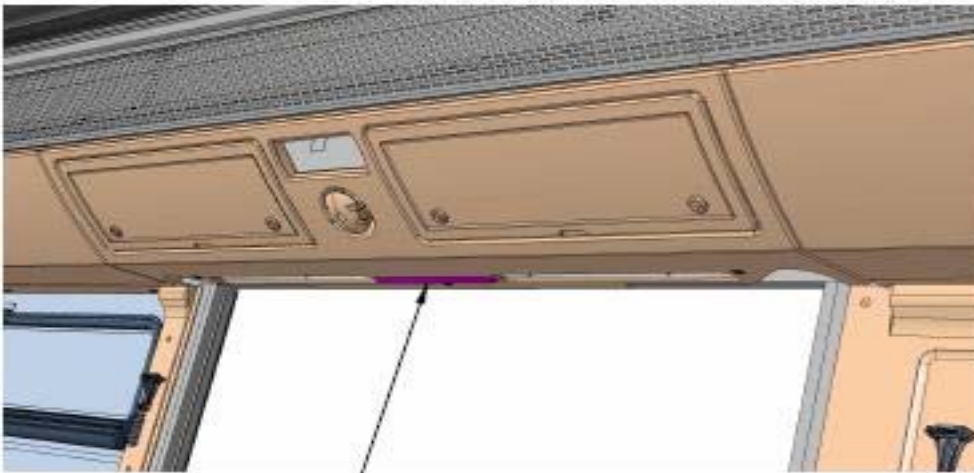
Interior Lamps



001



002



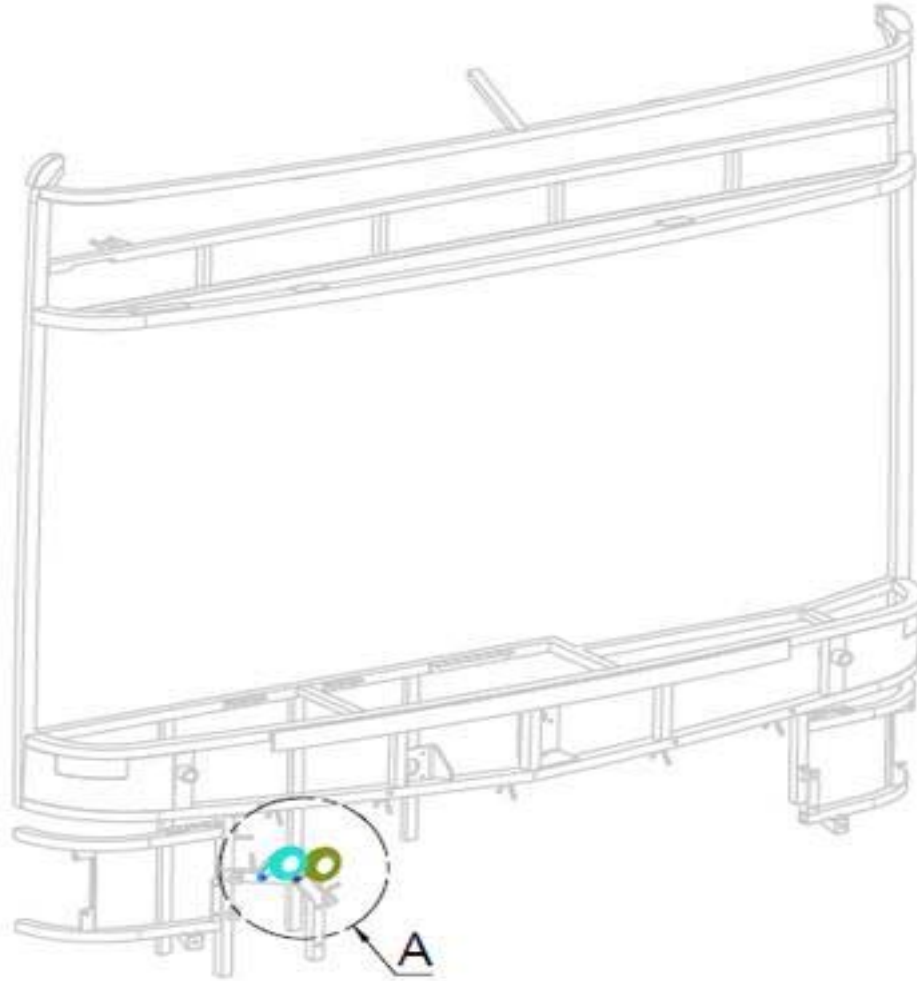
001

Picture No: EPL349300100-00

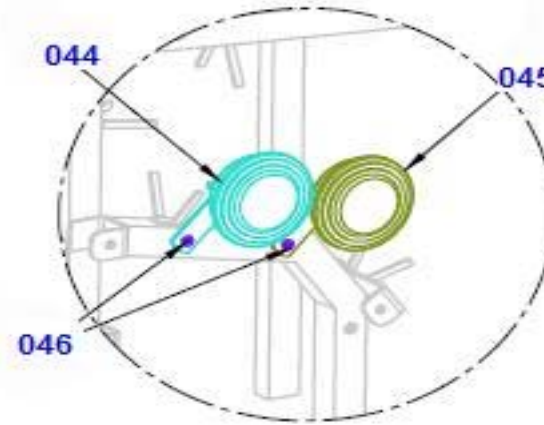
0805

Electric&Electronic

Chassis Electrical Parts



Detail A



Picture No: EPL348280100-00



| POZ | Part No | N.S.N | Code | Part Name (Türkçe) | Part Name (English) | Quantity |
|-----|--------------|-------|------|--------------------------------------|------------------------------|----------|
| | | | | <i>Chassis Electrical Parts</i> | | |
| 044 | 388887550201 | | | KORNA, INCE SES | HORN | 1 |
| 045 | 377770642201 | | | KORNA, KALIN SES | HORN | 1 |
| 046 | 387033760001 | | | AKILLI SAC VIDASI DIN 7504 P 4. 8X19 | SELF DRILLING SCREW, 4. 8X19 | 2 |

Chassis Electrical Parts

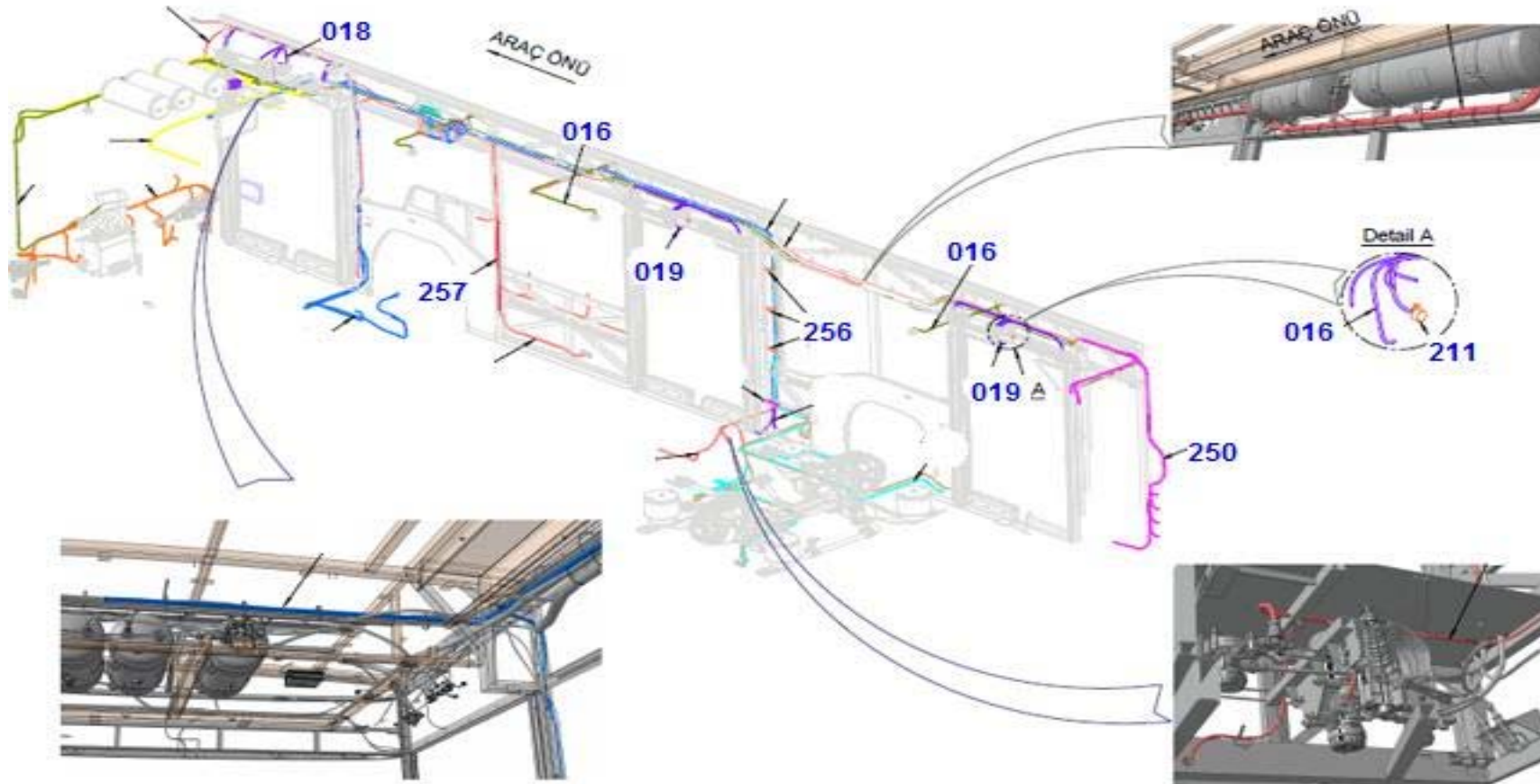
Electric&Electronic

0805

0806

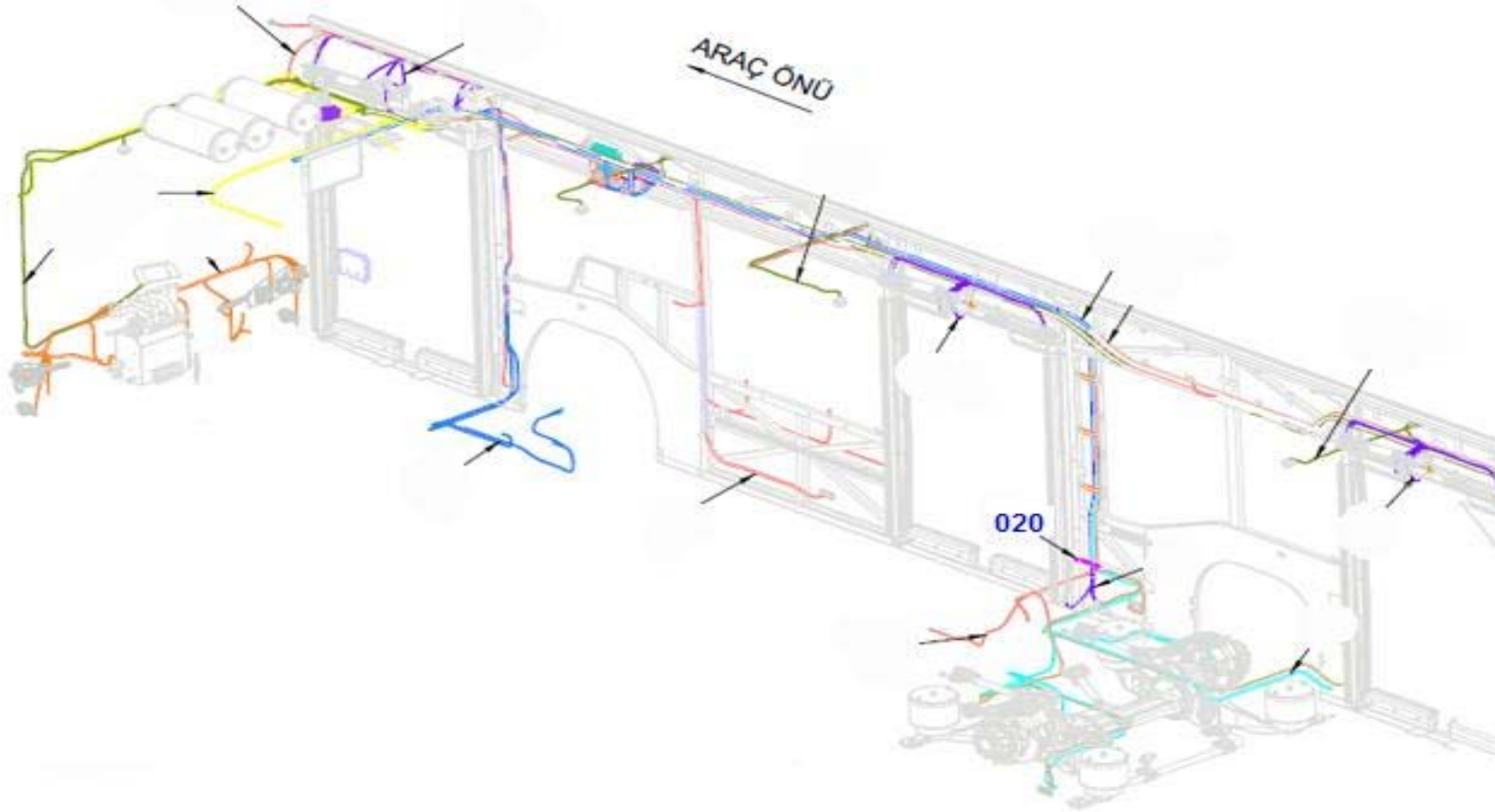
Electric&Electronic

Harness



Picture No: EPL349110100-00

| POZ | Part No | N.S.N | Code | Part Name (Türkçe) | Part Name (English) | Quantity |
|-----|--------------|-------|------|------------------------------|--------------------------------|-------------|
| | | | | <i>Harness</i> | | |
| 016 | 387038789201 | | | ENSTELASYON, KAMERALAR | HARNESS CAMERAS | 1 |
| 018 | 387038865301 | | | ENSTELASYON, ON KAPI | HARNESS, FRONT DOOR | 1 |
| 019 | 387038866301 | | | ENSTELASYON, ORTA, ARKA KAPI | HARNESS, MIDDLE, RR DOOR | 2 |
| 211 | 387001486001 | | | SESLI UYARICI 6-24 | BUZZER | 2 |
| 250 | 387041519001 | | | ENSTELASYON, KUYRUK SAG INIS | HARNESS, TAIL | 1 |
| 256 | 387041546001 | | | BRAKET, ENSTELASYON TUTUCU | BRACKET, FIXING CABLE | 3 |
| 257 | 387041428001 | | | KABLO, KANALI | CABLE CANAL | 1 |
| | | | | Harness | Electric&Electronic | 0806 |

0806**Electric&Electronic****Harness**

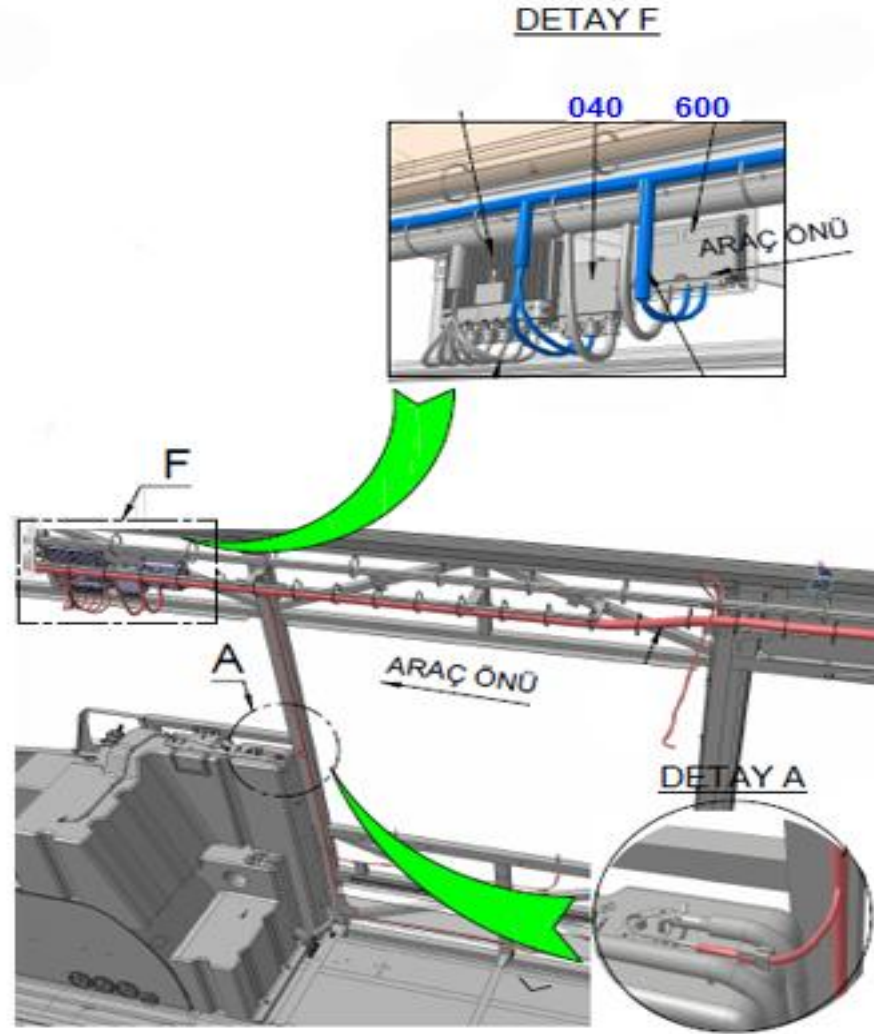
Picture No: EPL349110100-01

| POZ | Part No | N.S.N | Code | Part Name (Türkçe) | Part Name (English) | Quantity |
|---------|--------------|-------|------|--|---------------------|----------|
| 020 | 387040391101 | | | <i>Harness</i> GROMET, KARKAS GECIS | GROMMET | 1 |
| Harness | | | | Electric&Electronic | | 0806 |

0806

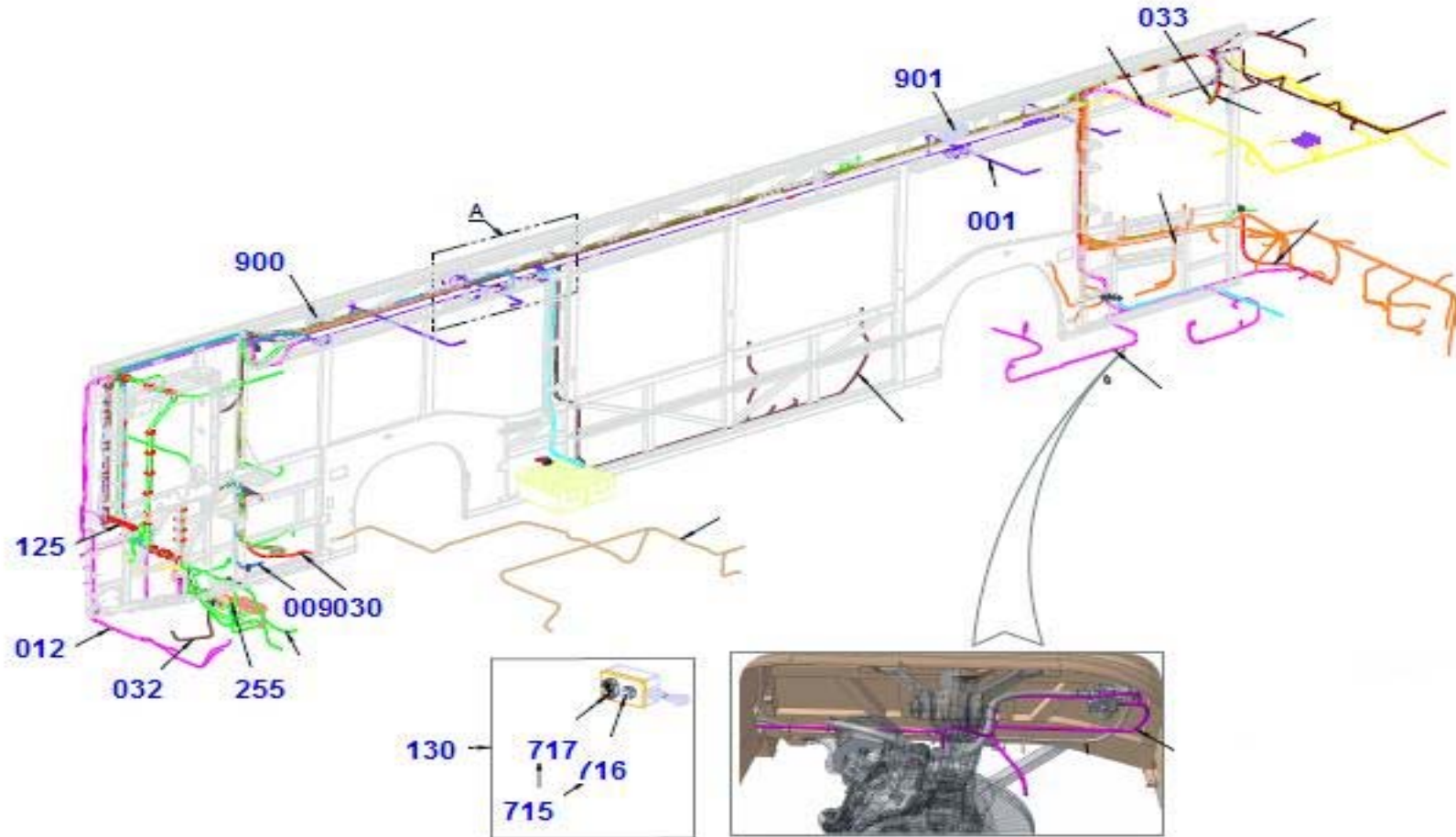
Electric&Electronic

Harness



Picture No: EPL349110100-02

| POZ | Part No | N.S.N | Code | Part Name (Türkçe) | Part Name (English) | Quantity |
|---------|--------------|-------|------|---------------------|---------------------|----------|
| | | | | <i>Harness</i> | | |
| 040 | 387035401051 | | | ECU, ECAS | ECU, ECAS | 1 |
| 600 | 387035402151 | | | ECU, EBS | ECU, EBS | 1 |
| Harness | | | | Electric&Electronic | | 0806 |

0806**Electric&Electronic****Harness**

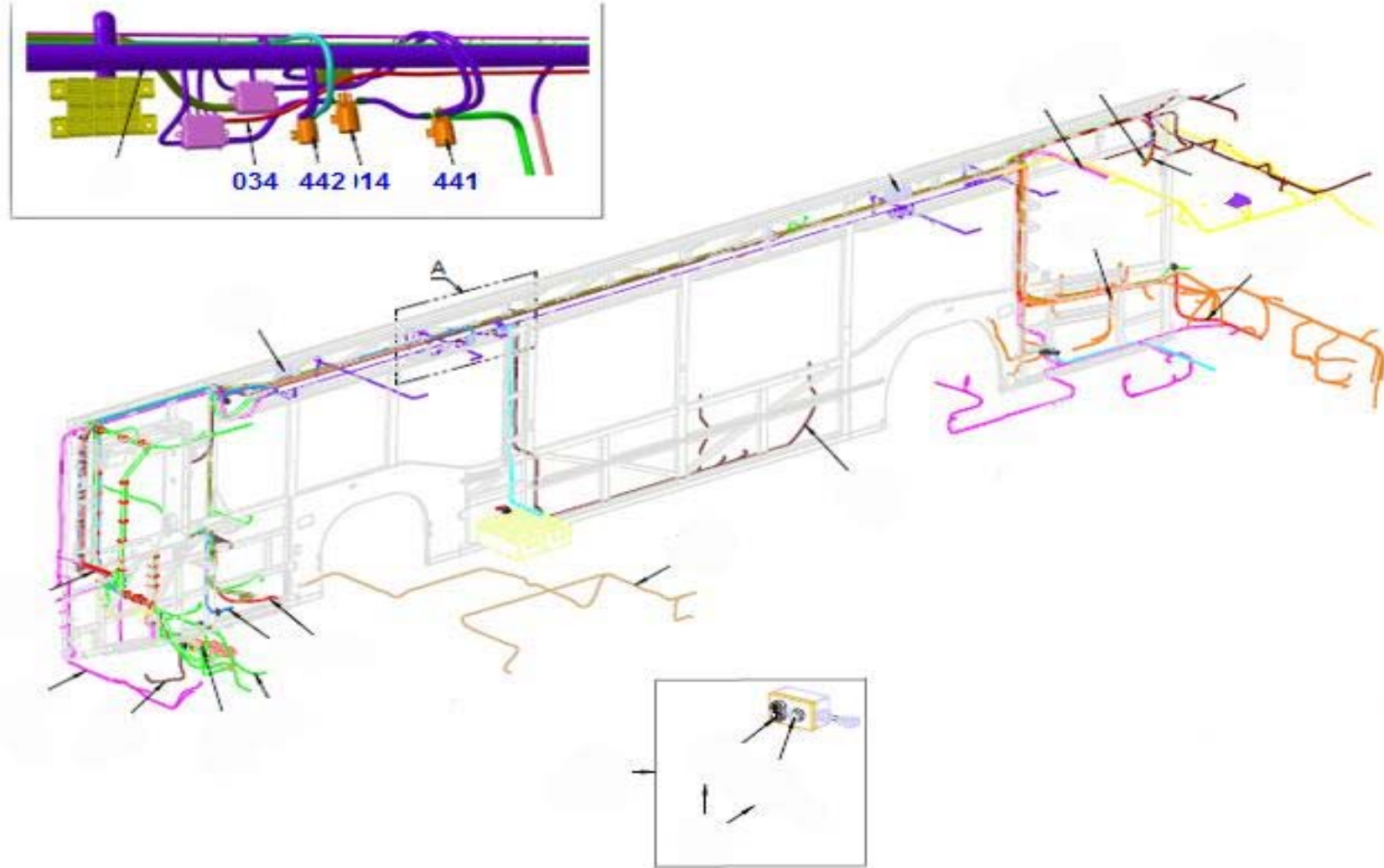
Picture No: EPL349110200-00

| POZ | Part No | N.S.N | Code | Part Name (Türkçe) | Part Name (English) | Quantity |
|----------------|--------------|-------|------|-------------------------------------|-------------------------------|-------------|
| | | | | <i>Harness</i> | | |
| 001 | 387040800601 | | | ENSTELASYON, SOL TAVAN | HARNESS, LEFT ROOF | 1 |
| 009 | 387038660201 | | | ENSTELASYON, EBERSPEACHER | HARNESS, EBERSPEACHER | 1 |
| 012 | 387034890401 | | | ENSTELASYON, KUYRUK | HARNESS, TAIL | 1 |
| 030 | 387039928201 | | | ENSTELASYON, KM SENSOR | CABLE, KM SENSOR | 1 |
| 032 | 387039919401 | | | ENSTELASYON, KALORIFER ARKA KONTROL | HARNESS, HEATING REAR CONTROL | 1 |
| 033 | 387042912401 | | | ENSTELASYON, KLIMA KONTROL | HARNESS, AIR COND. CONTROL | 1 |
| 125 | 387010446001 | | | LAMBA, MOTOR AYDINLATMA | LAMP, ENGINE LIGHT | 1 |
| 130 | 387023637001 | | | BUTON TAKIMI, MOTOR | BUTTON SET, ENGINE | 1 |
| 255 | 387041302001 | | | BRAKET, MOTOR CALISTIRMA | BRACKET, ENGINE START | 1 |
| 715 | 387026630001 | | | BUTON TAKIMI | BUTTON SET | 1 |
| 716 | 387026629001 | | | BUTON, LAMBA | BUTTON, LIGHT | 1 |
| 717 | 387026628001 | | | BUTON, MOTOR | BUTTON, ENGINE | 1 |
| 900 | 387038783051 | | | ECU, MULTIPLEKS NODE 33 | ECU, MULTIPLEX NODE 33 | 1 |
| 901 | 387039771051 | | | ECU, MULTIPLEKS NODE 66 | ECU, MULTIPLEXNODE 66 | 2 |
| Harness | | | | Electric&Electronic | | 0806 |

0806

Electric&Electronic

Harness



Picture No: EPL349110200-01



| POZ | Part No | N.S.N | Code | Part Name (Türkçe) | Part Name (English) | Quantity |
|-----|--------------|-------|------|--------------------------------|---------------------------------|----------|
| | | | | <i>Harness</i> | | |
| 014 | 377773168051 | | | ROLE, GUC (EURO TURKUAZ) | RELAY, POWER | 2 |
| 034 | 387039948201 | | | KABLO, KLIMA-AKU BAGLANTI | CABLE, A/C-BATTERY CONN. | 1 |
| 080 | 387047258001 | | | BUTON, ENGELLI | BUTTON, DISABLED | 1 |
| 441 | 377773168051 | | | ROLE, GUC (EURO TURKUAZ) | RELAY, POWER | 1 |
| 442 | 387039984051 | | | ROLE, HAVA EMIS ISITICI (120A) | RELAY, AIR INTAKE HEATER (120A) | 1 |

Harness

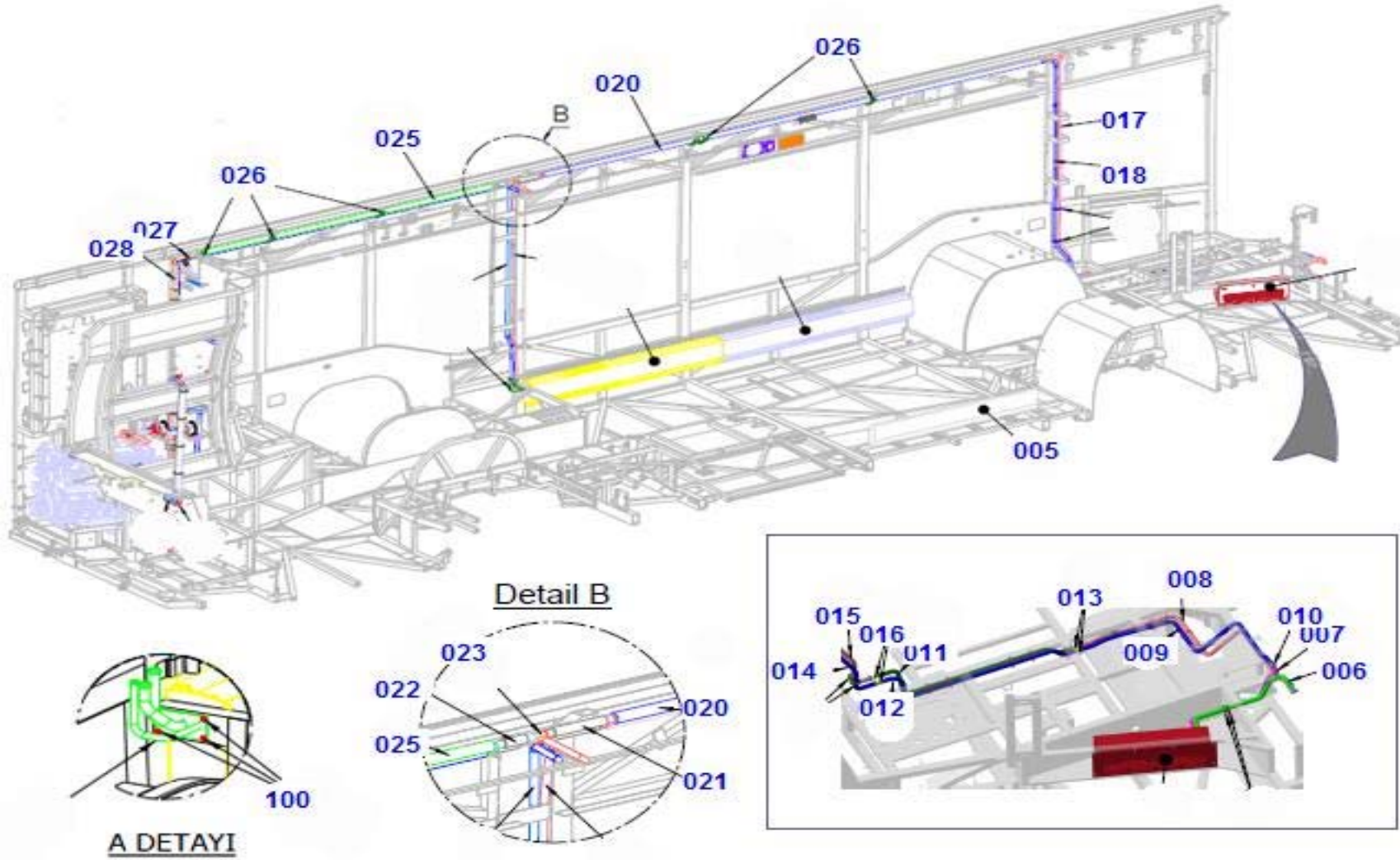
Electric&Electronic

0806

0807

Electric&Electronic

Rear Heater Unit And Piping



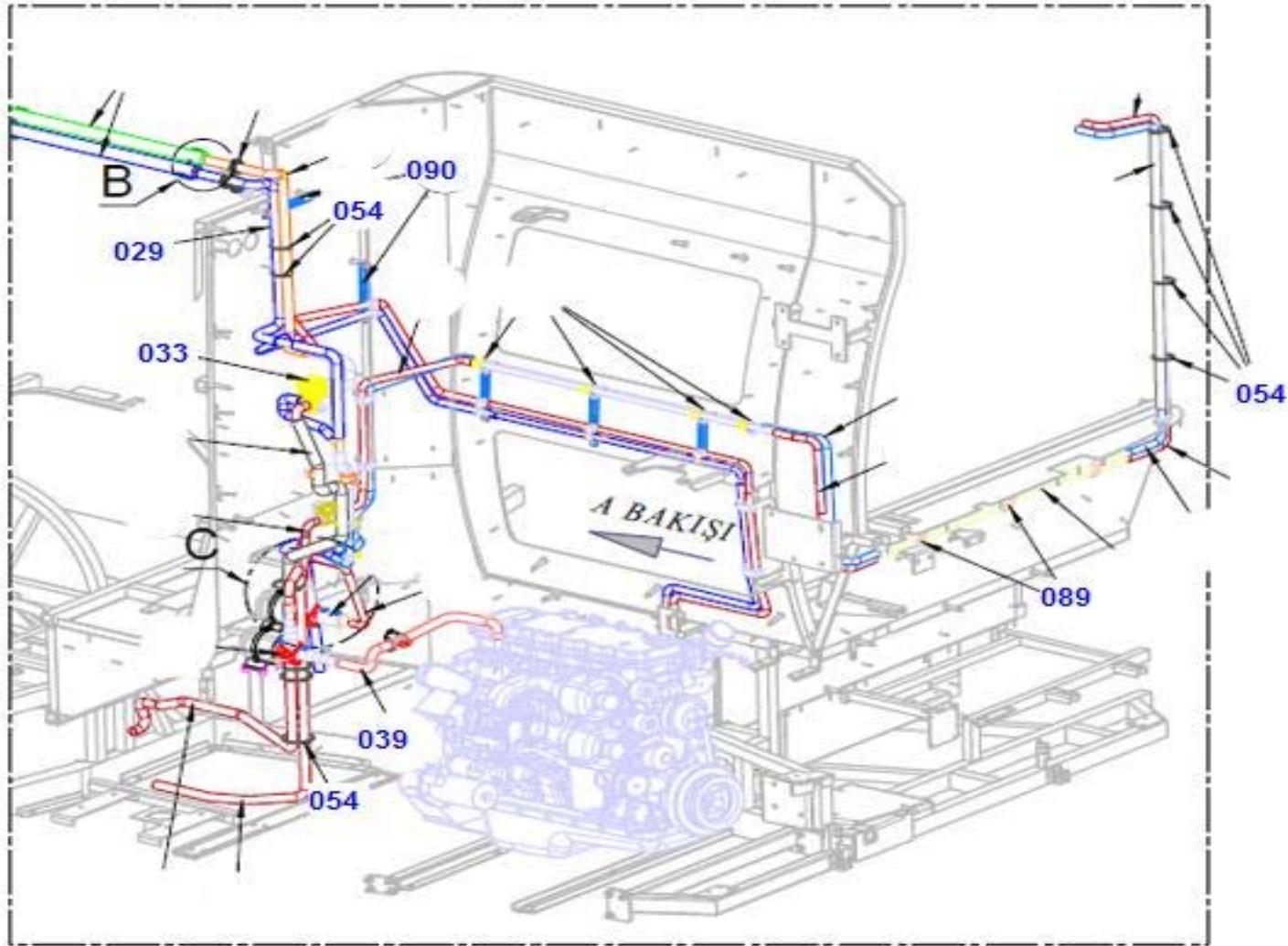
Picture No: EPL348450100-00

| POZ | Part No | N.S.N | Code | Part Name (Türkçe) | Part Name (English) | Quantity |
|-----|--------------|-------|------|--------------------------------------|------------------------------|----------|
| | | | | <i>Rear Heater Unit And Piping</i> | | |
| 005 | 387035862001 | | | KAPAK, KALORIFER | COVER, HEATER | 1 |
| 006 | 387036973001 | | | HORTUM, SOFOR ALTI KAL GIRIS | HOSE | 1 |
| 007 | 387036974001 | | | HORTUM, SOFOR ALTI KAL CIKIS | HOSE | 1 |
| 008 | 387036686101 | | | HORTUM, ON KALORIFER | HOSE, FRONT HEATER | 1 |
| 009 | 387036687001 | | | HORTUM, ON KALORIFER | HOSE, FRONT HEATER | 1 |
| 010 | 387018088001 | | | NIPEL | NIPPLE | 3 |
| 011 | 387036677001 | | | HORTUM, ON KALORIFER | HOSE, FRONT HEATER | 1 |
| 012 | 387036676001 | | | HORTUM, ON KALORIFER | HOSE, FRONT HEATER | 1 |
| 013 | 387018088001 | | | NIPEL | NIPPLE | 2 |
| 014 | 387038429001 | | | HORTUM, KALORIFER SOL B POST | HOSE, HEATER LEFT B PILLAR | 1 |
| 015 | 387038430001 | | | HORTUM, KALORIFER SOL B POST | HOSE, HEATER LEFT B PILLAR | 1 |
| 016 | 387018088001 | | | NIPEL | NIPPLE | 2 |
| 017 | 387036571001 | | | HORTUM, KALORIFER B POST | HOSE, HEATER B PILLAR | 1 |
| 018 | 387036570001 | | | HORTUM, KALORIFER B POST | HOSE, HEATER B PILLAR | 1 |
| 020 | 387038431101 | | | IZOLASYON, KALORIFER BORU | INSULATION, HEATER PIPE | 2 |
| 021 | 387034998101 | | | HORTUM, ARA BAGLANTI | HOSE, INTERCONNECT. | 2 |
| 022 | 387034999101 | | | HORTUM, ARA BAGLANTI | HOSE, INTERCONNECT. | 2 |
| 023 | 387027584001 | | | ADAPTOR, Y 22/22/18 | ADAPTOR, Y 22/22/18 | 2 |
| 025 | 387038434101 | | | IZOLASYON, KALORIFER BORU | INSULATION, HEATER PIPE | 2 |
| 026 | 387030153101 | | | BRAKET, BORU | BRACKET, PIPE | 6 |
| 027 | 377775093001 | | | LASTIK TAPA | PLUG, RUBBER | 2 |
| 028 | 387038443001 | | | HORTUM, VANA CIKIS | HOSE, VALVE OUTLET | 1 |
| 100 | 387033760001 | | | AKILLI SAC VIDASI DIN 7504 P 4. 8X19 | SELF DRILLING SCREW, 4. 8X19 | 3 |

Rear Heater Unit And Piping

Electric&Electronic

0807

0807**Electric&Electronic****Rear Heater Unit And Piping**

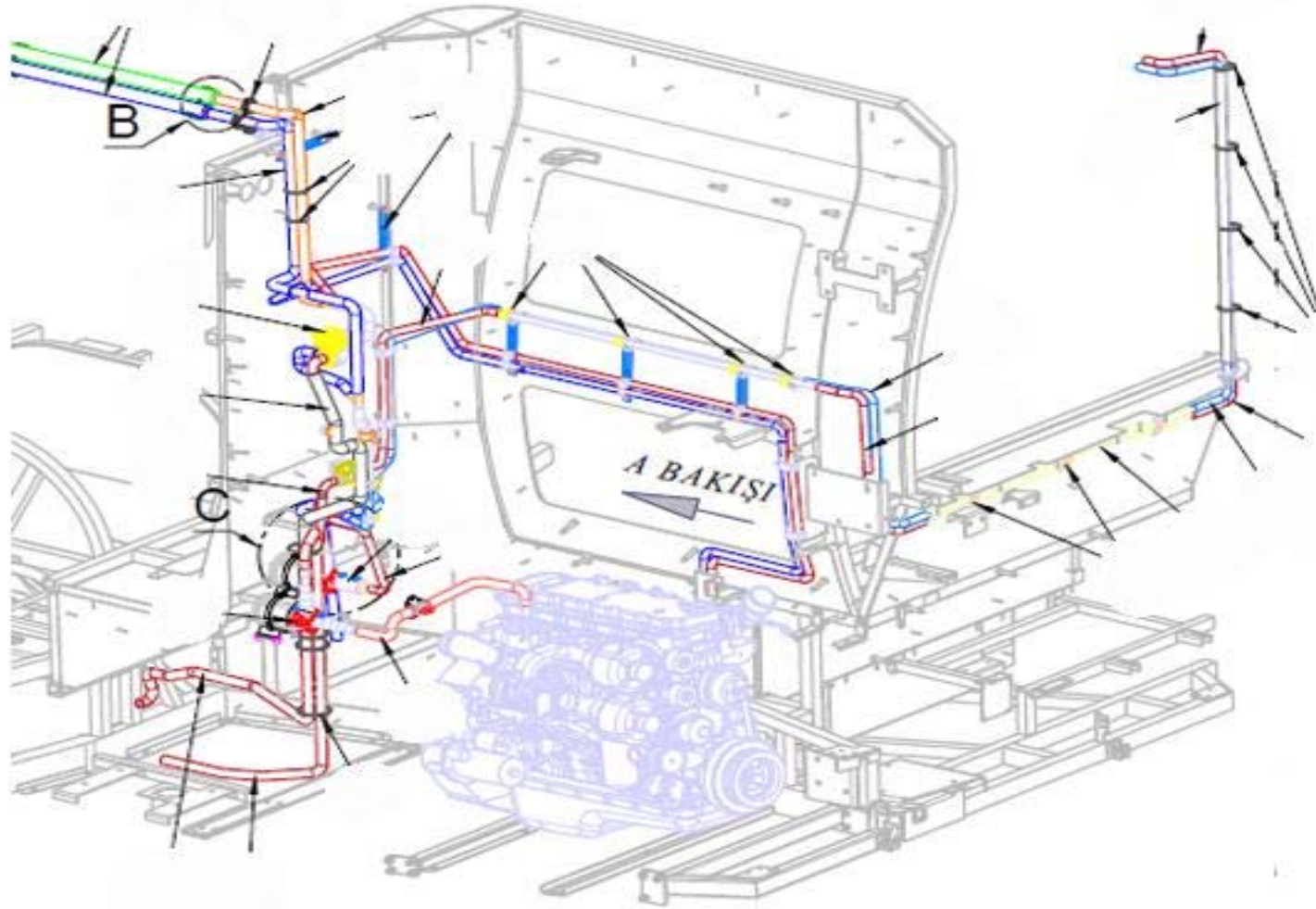
Picture No: EPL348450200-00

| POZ | Part No | N.S.N | Code | Part Name (Türkçe) | Part Name (English) | Quantity |
|-----|--------------|-------|------|------------------------------------|-------------------------------|----------|
| | | | | <i>Rear Heater Unit And Piping</i> | | |
| 029 | 387038442001 | | | HORTUM, MOTOR DONUS | HOSE, ENGINE RETURN | 1 |
| 033 | 387004904051 | | | BUSCHJOST 3 YOLLU MOTORLU VANA | 3 WAY MOTOR CONTROL VALVE | 1 |
| 039 | 387041515001 | | | HORTUM, VANA CIKIS POMPA GIRIS | HOSE, VALVE OUTLET PUMP INLET | 1 |
| 054 | 377770506001 | | | PLASTIK KELEPCE L 350 MM | CLIP, PLASTIC | 1 |
| 055 | 387039313301 | | | BORU KOMPLESI | PIPE ASSEMBLE | 1 |
| 056 | 387038435001 | | | HORTUM, ORTA KALORIFER GIDIS | HOSE, CENTER HEATER OUTGOING | 1 |
| 057 | 387038436001 | | | HORTUM, ORTA KALORIFER DONUS | HOSE, MIDDLE HEATER RETURN | 1 |
| 089 | 387038907201 | | | BRAKET | BRACKET | 2 |
| 090 | 387038912001 | | | BRAKET | BRACKET | 2 |

Rear Heater Unit And Piping

Electric&Electronic

0807

0807**Electric&Electronic****Rear Heater Unit And Piping**

Picture No: EPL348450200-01

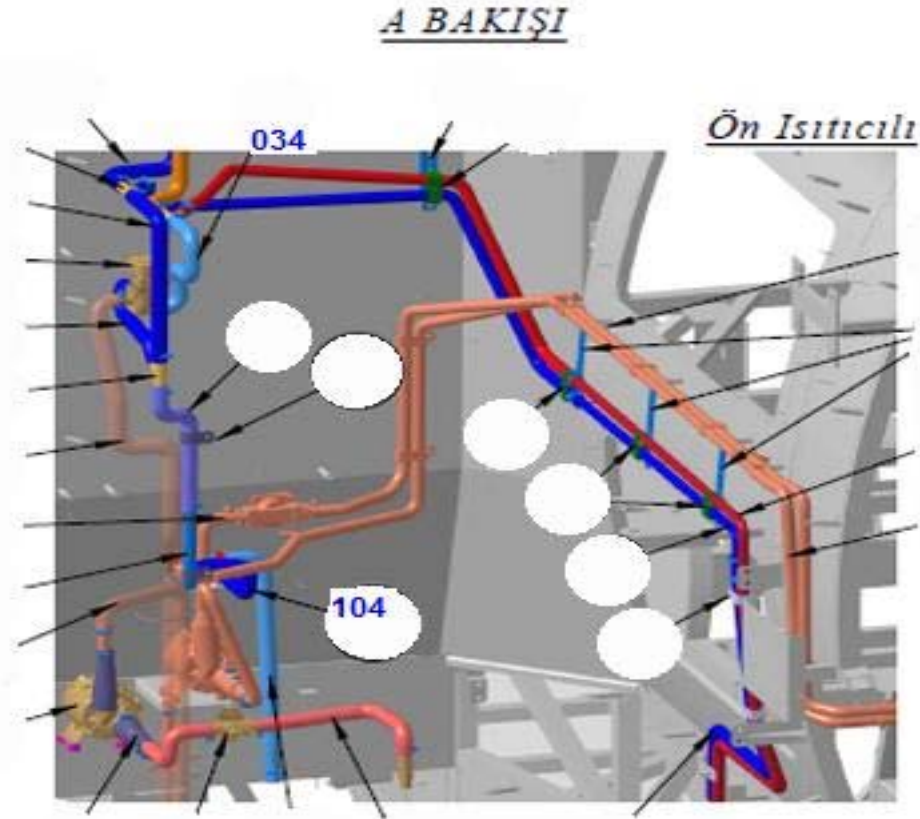


| POZ | Part No | N.S.N | Code | Part Name (Türkçe) | Part Name (English) | Quantity |
|-----|--------------|-------|------|------------------------------------|-------------------------|----------|
| | | | | <i>Rear Heater Unit And Piping</i> | | |
| 030 | 387035885001 | | | HORTUM, GERI DONUS | HOSE, RETURN | 1 |
| 031 | 387028541001 | | | ADAPTOR Y, 22/22/22 | ADAPTOR Y, 23/23/23 | 1 |
| 032 | 387038368001 | | | HORTUM, VANA BYPASS | HOSE, VALVE BYPASS | 1 |
| 035 | 387027584001 | | | ADAPTOR, Y 22/22/18 | ADAPTOR, Y 22/22/18 | 2 |
| 036 | 387035027001 | | | POMPA | PUMP | 1 |
| 037 | 387034424001 | | | ADAPTOR, HORTUM, Ø38-Ø22 | ADAPTOR, HOSE, Ø38-Ø22 | 1 |
| 040 | 387032313001 | | | VANA, MEKANIK | VALVE, MECHANICAL | 2 |
| 041 | 387041516201 | | | HORTUM, MOTOR CIKIS | HOSE, ENGINE EXIT | 1 |
| 047 | 387035991001 | | | HORTUM, ARKA KALORIFER GIRIS | HOSE, REAR HEATER INLET | 1 |
| 048 | 387035978001 | | | BRAKET, KALORIFER | BRACKET, HEATER | 1 |
| 049 | 387036496001 | | | BRAKET | BRACKET | 5 |
| 085 | 387038868101 | | | BORU, DONUS | PIPE, RETURN | 1 |
| 087 | 387038905001 | | | BORU, ARKA KALORIFER | PIPE, REAR HEATER | 1 |
| 088 | 387038906101 | | | BORU, ARKA KALORIFER | PIPE, RR HEATER | 1 |
| 091 | 387036408001 | | | BRAKET | BRACKET | 3 |
| 092 | 387040276001 | | | HORTUM, GERI DONUS | HOSE, MIDDLE | 1 |
| 103 | 387036559001 | | | HORTUM, GERI DONUS | HOSE, RETURN | 1 |
| 105 | 387046700001 | | | BORU, SICAK SU | PIPE, HOT WATER | 1 |
| 105 | 109700969001 | | | KLIPS, SASE ENSTELASYON | CLIP, FRAME HAR, L | 2 |

Rear Heater Unit And Piping

Electric&Electronic

0807

0807**Electric&Electronic****Rear Heater Unit And Piping**

Picture No: EPL348450200-02

| POZ | Part No | N.S.N | Code | Part Name (Türkçe) | Part Name (English) | Quantity |
|-----|--------------|-------|------|--------------------------------------|-------------------------------------|----------|
| | | | | <i>Rear Heater Unit And Piping</i> | | |
| 034 | 387038371001 | | | HORTUM, VANA ÇIKIŞI | HOSE, VALVE OUTLET | 1 |
| 038 | 387034423001 | | | NIPEL, Ø22 / Ø22 | CONNECTOR, Ø22 / Ø22 | 3 |
| 044 | 387035948001 | | | HORTUM, ARKA KALORİFER DONUŞU | HOSE, REAR HEATER RETURN | 1 |
| 046 | 387035960001 | | | HORTUM, ARKA KALORİFER GİDİŞİ | HOSE, REAR HEATER INLET | 1 |
| 051 | 387036016001 | | | HORTUM, KALORİFER | HOSE, HEATER | 1 |
| 052 | 387036017001 | | | HORTUM, ARKA KALORİFER | HOSE, REAR HEATER | 1 |
| 053 | 387030364001 | | | GROMET | RUBBER PLUG | 2 |
| 080 | 387038829001 | | | BORU, KALORİFER | PIPE, HEATER | 1 |
| 104 | 387038370001 | | | HORTUM, GERİ DONUŞU | HOSE, RETURN | 1 |
| 106 | 387014152001 | | | SAC KLİPİ | CLIP, METAL SHEET | 2 |
| 131 | 300030645101 | | | CİVATA, AKB M6X1X45, KALIN D. DIN931 | BOLT, HEX M6X1X45, COARSE T. DIN931 | 15 |

Rear Heater Unit And Piping

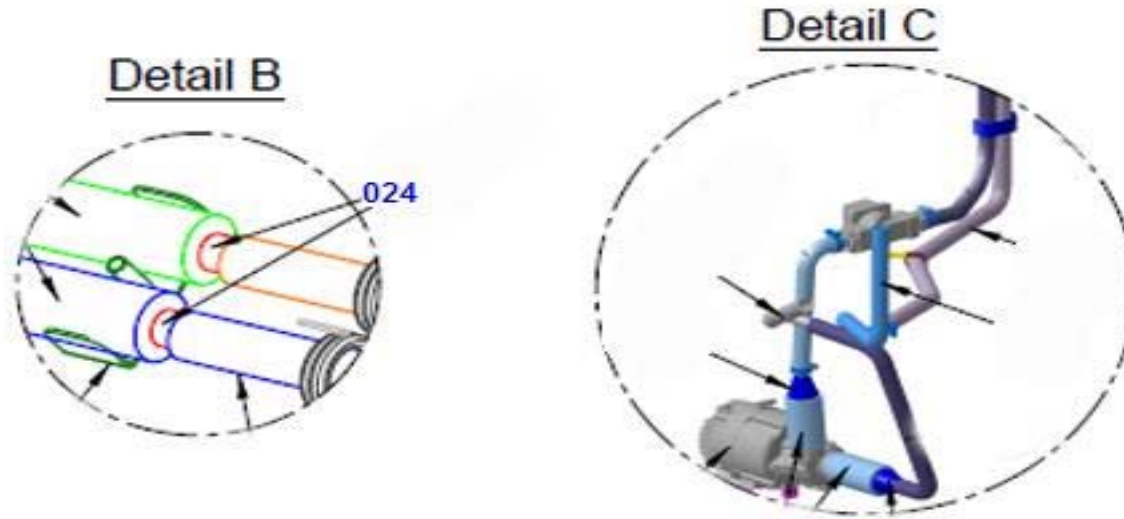
Electric&Electronic

0807

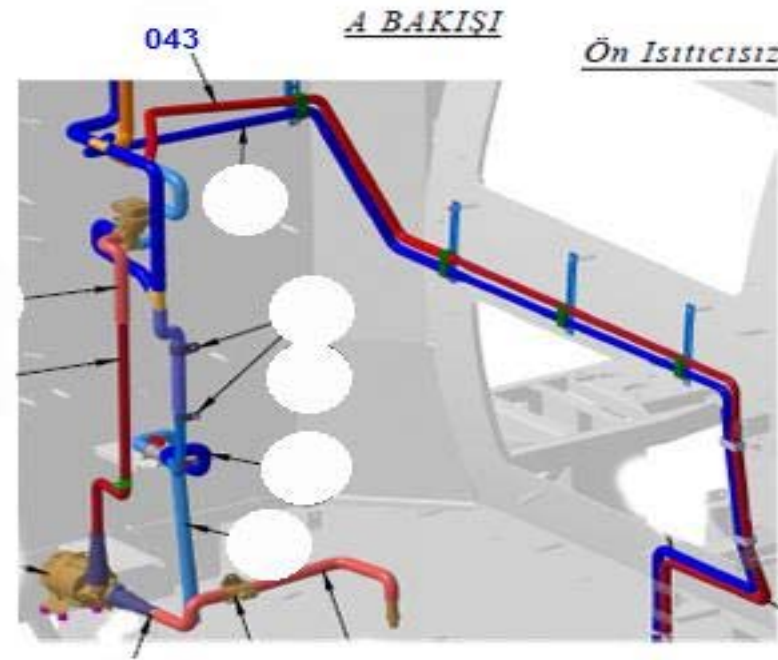
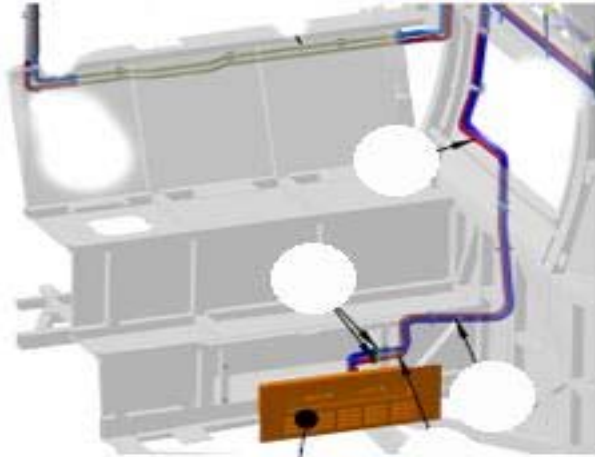
0807

Electric&Electronic

Rear Heater Unit And Piping



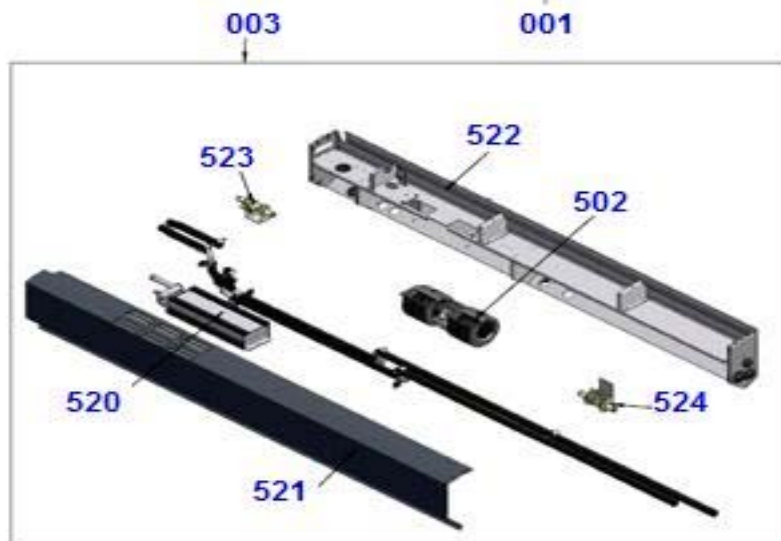
Picture No: EPL348450200-03

0807**Electric&Electronic****Rear Heater Unit And Piping**

Picture No: EPL348450200-04



| POZ | Part No | N.S.N | Code | Part Name (Türkçe) | Part Name (English) | Quantity |
|-----|--------------|-------|------|--|--------------------------------|-------------|
| 043 | 387035896001 | | | <i>Rear Heater Unit And Piping</i> HORTUM, ARKA KALORIFER GIDIS | HOSE, REAR HEATER INLET | 1 |
| | | | | Rear Heater Unit And Piping | Electric&Electronic | 0807 |

0807**Electric&Electronic****Rear Heater Unit And Piping**

Picture No: EPLB3484504-00

| POZ | Part No | N.S.N | Code | Part Name (Türkçe) | Part Name (English) | Quantity |
|-----|--------------|-------|------|------------------------------------|-----------------------------|----------|
| | | | | <i>Rear Heater Unit And Piping</i> | | |
| 001 | 387035793201 | | | KALORIFER, SOFOR ALTI | HEATER, UNDER DRIVER | 1 |
| 002 | 387037258201 | | | KALORIFER, ORTA ON | HEATER, CENTER FRONT | 1 |
| 003 | 387037259201 | | | KALORIFER, ORTA ARKA | HEATER, CENTER RR | 1 |
| 004 | 387035809201 | | | KALORIFER, ARKA | HEATER, REAR | 1 |
| 500 | 387043893001 | | | ISITICI GOVDESI, KONVEKTA | HEATER BODY, KONVEKTA | 1 |
| 501 | 387043890001 | | | ON LEVHA, KONVEKTA | FRONT PLATE, KONVEKTA | 1 |
| 502 | 387043889001 | | | RADYAL FAN MOTORU, KONVEKTA | RADIAL AIR BLOWER, KONVEKTA | 1 |
| 503 | 387043888001 | | | ISITMA PETEGI KPL | HEATING COIL ASM. | 1 |
| 504 | 387043895001 | | | ON LEVHA | FRONT PLATE | 1 |
| 505 | 387043894001 | | | ISITICI GOVDESI | HEATER BODY | 1 |
| 520 | 387044300001 | | | ISITMA PETEGI | HEATING HEAT EXCHANGER | 1 |
| 521 | 387044301001 | | | KAPAMA SAC | COVER SHEET | 1 |
| 522 | 387044302001 | | | ISITICI GOVDE | HEATER BODY | 1 |
| 523 | 387044303001 | | | VANA KPL, ECA | VALVE, ECA | 1 |
| 524 | 387044304001 | | | VANA KPL, ECA | VALVE, ECA | 1 |
| 540 | 387045131001 | | | ISITMA PETEGI | HEATING HEAT EXCHANGER | 1 |
| 541 | 387045132001 | | | KAPAMA SAC | COVER SHEET | 1 |
| 542 | 387045133001 | | | ISITICI GOVDE | HEATER BODY | 1 |
| 543 | 387045134001 | | | ECA VANA | ECA VALVE | 1 |

Rear Heater Unit And Piping

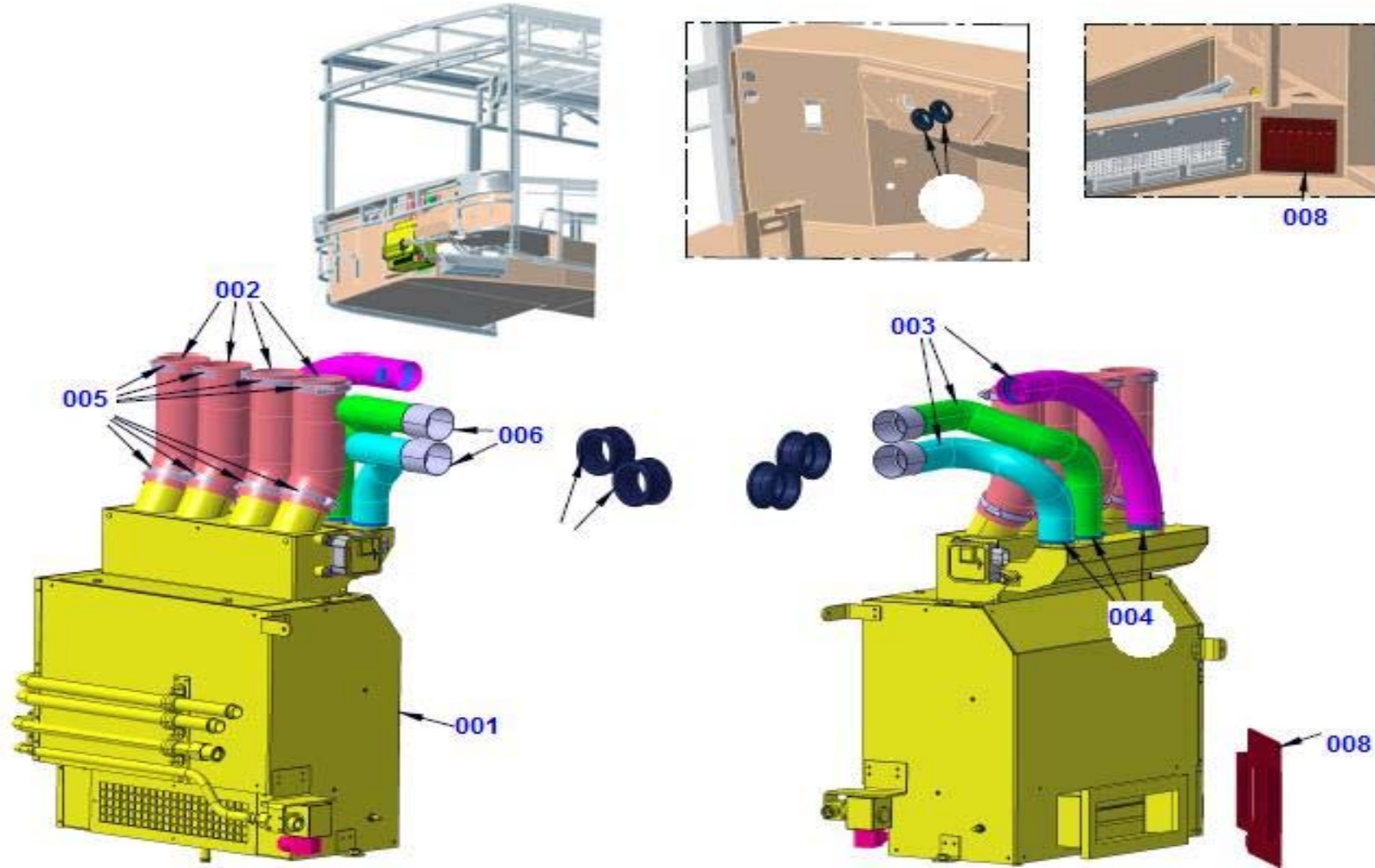
Electric&Electronic

0807

0808

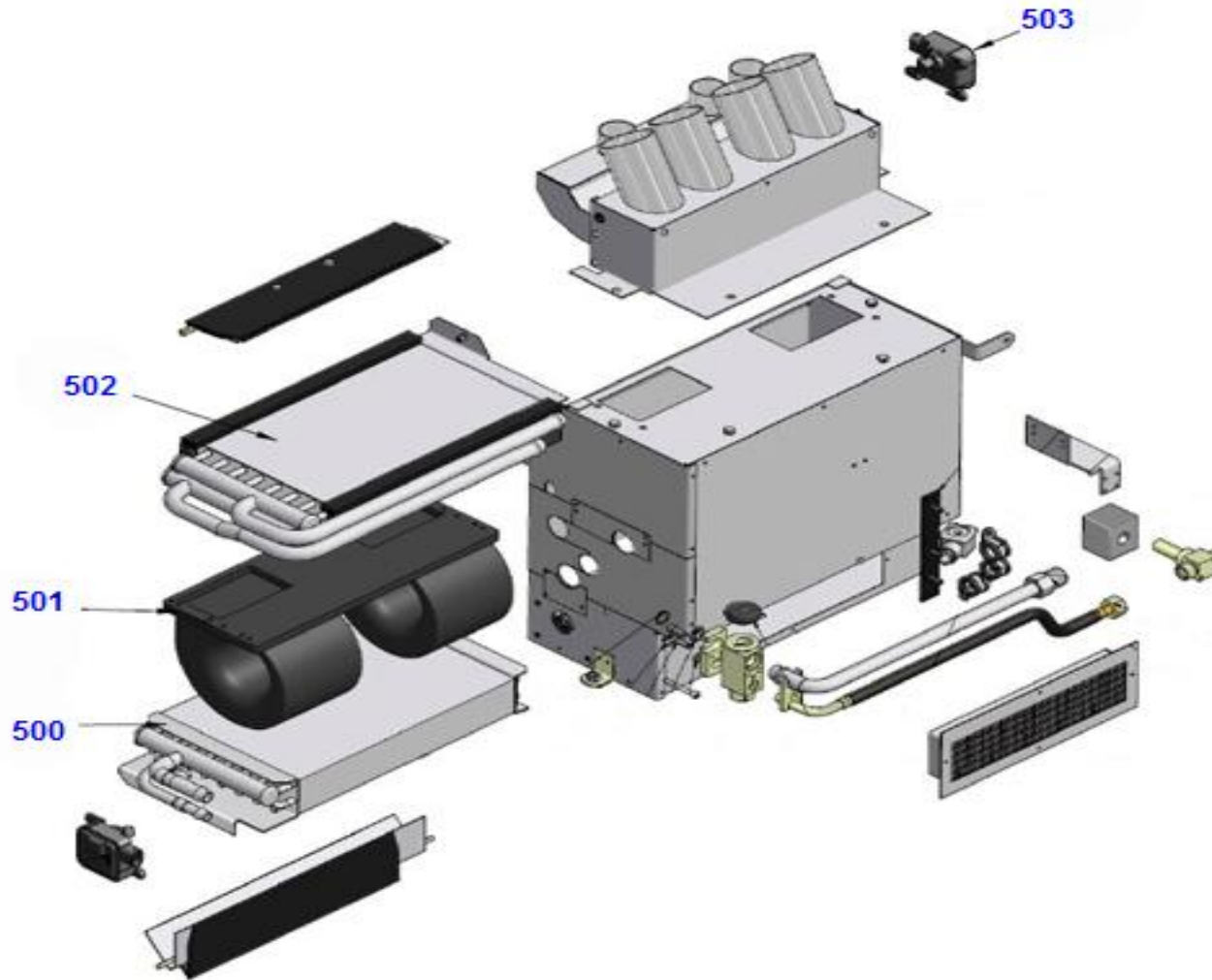
Electric&Electronic

Heater Unit



Picture No: EPL348600100-00

| POZ | Part No | N.S.N | Code | Part Name (Türkçe) | Part Name (English) | Quantity |
|--------------------|--------------|-------|------|-------------------------------------|-----------------------------------|-------------|
| | | | | <i>Heater Unit</i> | | |
| 001 | 387035556101 | | | KALORIFER, ON | HEATER, FRONT | 1 |
| 002 | 387003180001 | | | KRAFT BORU Ø60 | PIPE | 0.800 |
| 003 | 387003179001 | | | KRAFT BORU Ø40 | PIPE, Ø40 | 1.100 |
| 004 | 305353250801 | | | KELEPCE, VIDALI B9, Ø32-50, DIN3017 | CLAMP, W/BOLT B9, Ø32-50, DIN3017 | 3 |
| 005 | 305355070801 | | | KELEPCE, VIDALI B9, Ø50-70, DIN3017 | CLAMP, W/BOLT B9, Ø50-70, DIN3017 | 6 |
| 006 | 387037054001 | | | ADAPTOR, ON KALORIFER | ADAPTOR, FRONT HEATER | 2 |
| 008 | 387036329101 | | | KAPAK, ON KALORIFER EMIS | COVER, FRONT HEATER SUCTION | 1 |
| Heater Unit | | | | Electric&Electronic | | 0808 |

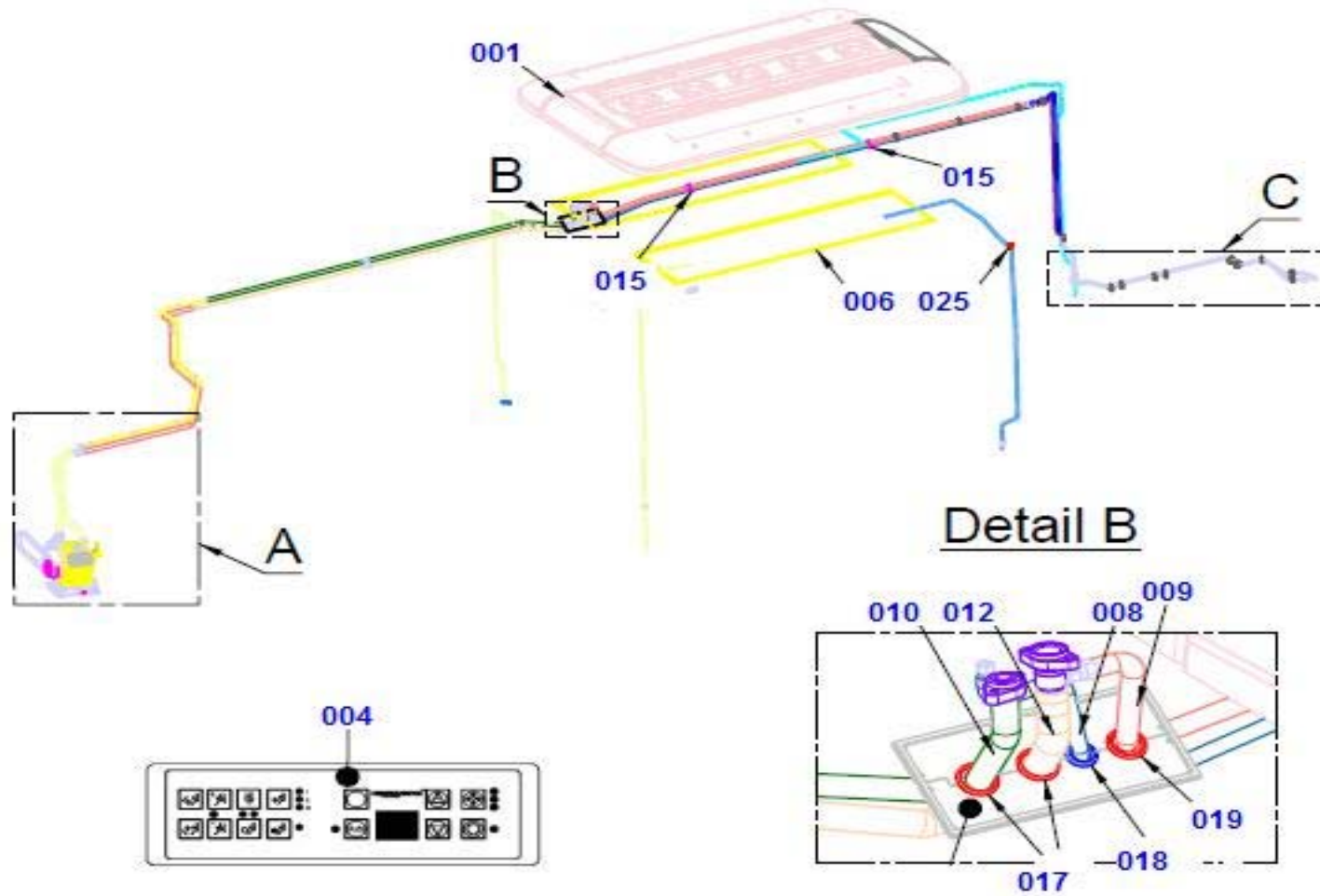
0808**Electric&Electronic****Heater Unit**

Picture No: EPL348600100-03

0809

Electric&Electronic

Air Condition



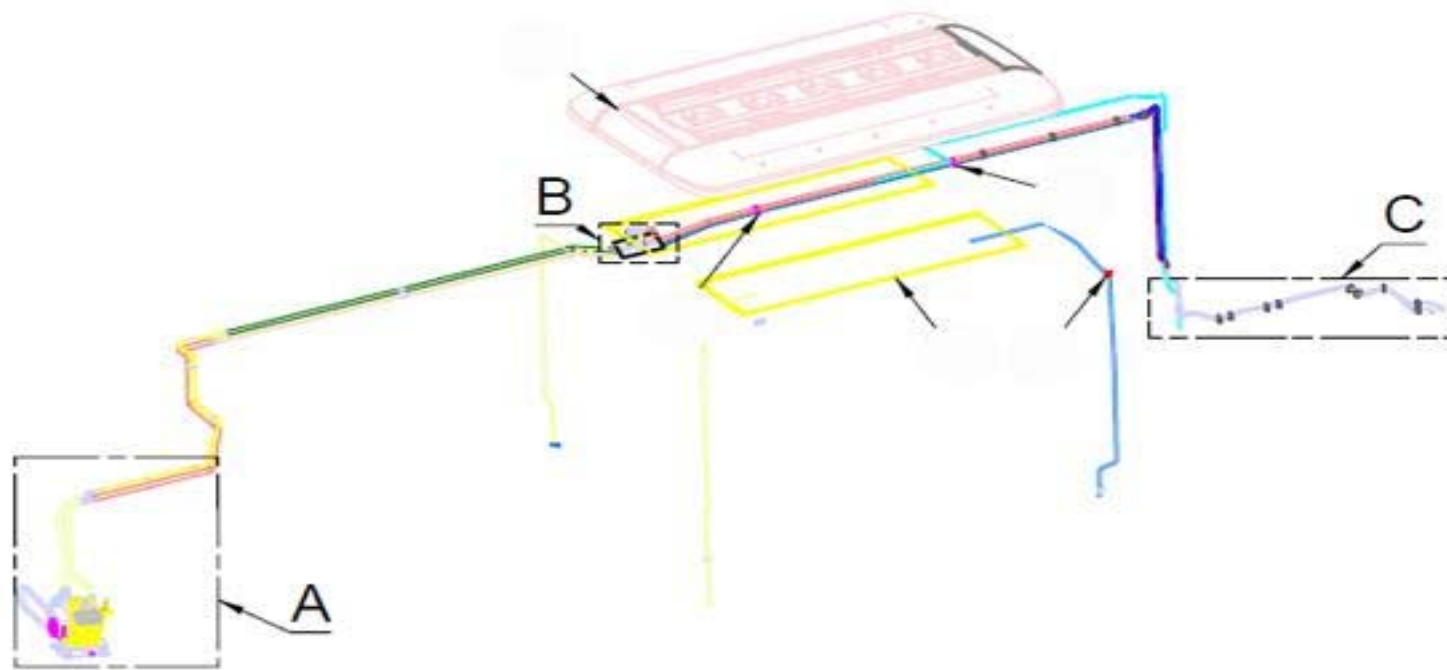
Picture No: EPL349720100-00

| POZ | Part No | N.S.N | Code | Part Name (Türkçe) | Part Name (English) | Quantity |
|-----|--------------|-------|------|---------------------------------|---------------------------------|-------------|
| | | | | <i>Air Condition</i> | | |
| 001 | 387035013101 | | | KLIMA, T24902365 BEYAZ | AIR COND. T24902365 WHITE | 1 |
| 004 | 387046561001 | | | KONTROL UNİTESİ, KLİMA | CONTROL UNIT, W/O HEATING E6 | 1 |
| 006 | 387035323001 | | | CİTA, KLİMA HAVUZ | SHEET, AIR CONDITIONER | 2 |
| 008 | 387037883001 | | | BORU, YUKSEK BASINC DEFROSTER I | PIPE, HIGH PRESSURE DEFROSTER I | 1 |
| 009 | 387037886001 | | | BORU, ALCAK BASINC DEFROSTER I | PIPE, LOW PRESSURE DEFROSTER I | 1 |
| 010 | 387037880001 | | | BORU, YUKSEK BASINC II | PIPE, HIGH PRESSURE II | 1 |
| 012 | 387037882101 | | | BORU, ALCAK BASINC I | PIPE, LOW PRESSURE I | 1 |
| 015 | 387036610101 | | | BRACKET, KLİMA | BRACKET, AIR COND. | 5 |
| 017 | 387018823001 | | | GROMET | GROMMET | 2 |
| 018 | 387025671001 | | | GROMET | GROMMET | 1 |
| 019 | 387025670001 | | | GROMET | GROMMET | 1 |
| 025 | 387041266001 | | | GROMET | GROMMET | 1 |
| | | | | Electric&Electronic | | 0809 |

0809

Electric&Electronic

Air Condition



Picture No: EPL349720100-01

| POZ | Part No | N.S.N | Code | Part Name (Türkçe) | Part Name (English) | Quantity |
|-----|--------------|-------|------|---------------------------------|--|-------------|
| | | | | <i>Air Condition</i> | | |
| 002 | 387038802101 | | | MONTAJ KITI, TRIM | MOUNTING KIT, TRIM | 1 |
| 003 | 387038803001 | | | MONTAJ KITI, MOTOR | MOUNTING KIT, ENGINE | 1 |
| 007 | 387050021001 | | | V KAYIS, KLIMA 2X17X1750 BANDED | V BELT, AIR CONDITIONER 2X17X1750 BANDED | 1 |
| 011 | 387037879001 | | | BORU, ALCAK BASINC I | PIPE, LOW PRESSURE I | 1 |
| 013 | 387037881001 | | | BORU, ALCAK BASINC I | PIPE, LOW PRESSURE I | 1 |
| 014 | 387035979101 | | | BRAKET, KLIMA | BRACKET, AIR COND. | 7 |
| 022 | 387038312001 | | | RAKOR, Ø6 DIRSEK GECIS | FITTING | 1 |
| 023 | 387038310001 | | | ADAPTOR, ARA GECIS DUZ Ø6 | ADAPTOR, Ø6 | 1 |
| | | | | Electric&Electronic | | 0809 |

0809

Electric&Electronic

Air Condition



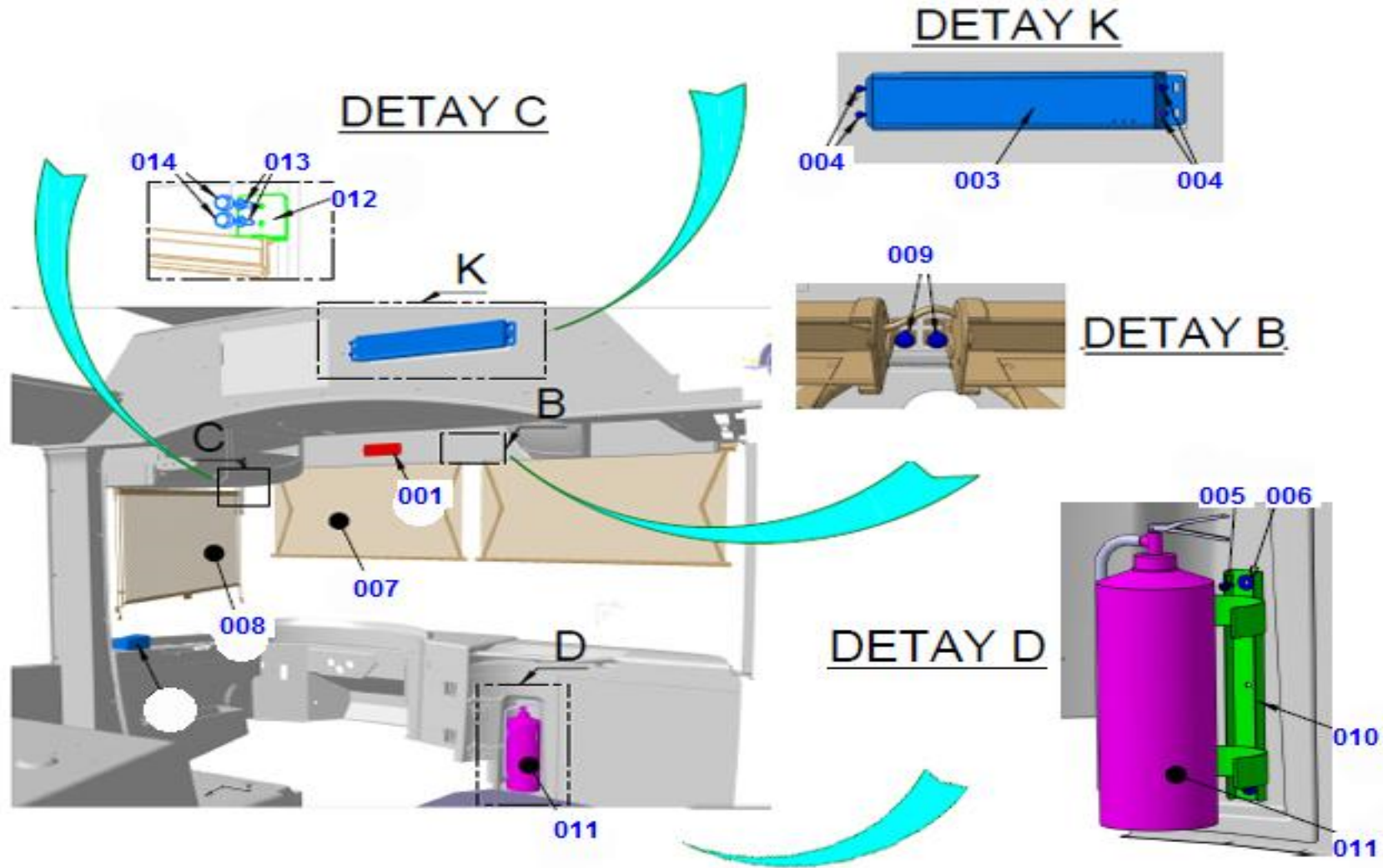
Picture No: EPL349720200-00

| POZ | Part No | N.S.N | Code | Part Name (Türkçe) | Part Name (English) | Quantity |
|---------------|--------------|-------|------|--|------------------------------------|----------|
| 021 | 387039045001 | | | <i>Air Condition</i> KAPAK, BAKIM KLIMA | COVER, MAINTENANCE AIR CONDITIONER | 2 |
| Air Condition | | | | Electric&Electronic | | 0809 |

0810

Electric&Electronic

Radio Antenna & Speakers



Picture No: EPL349390100-00

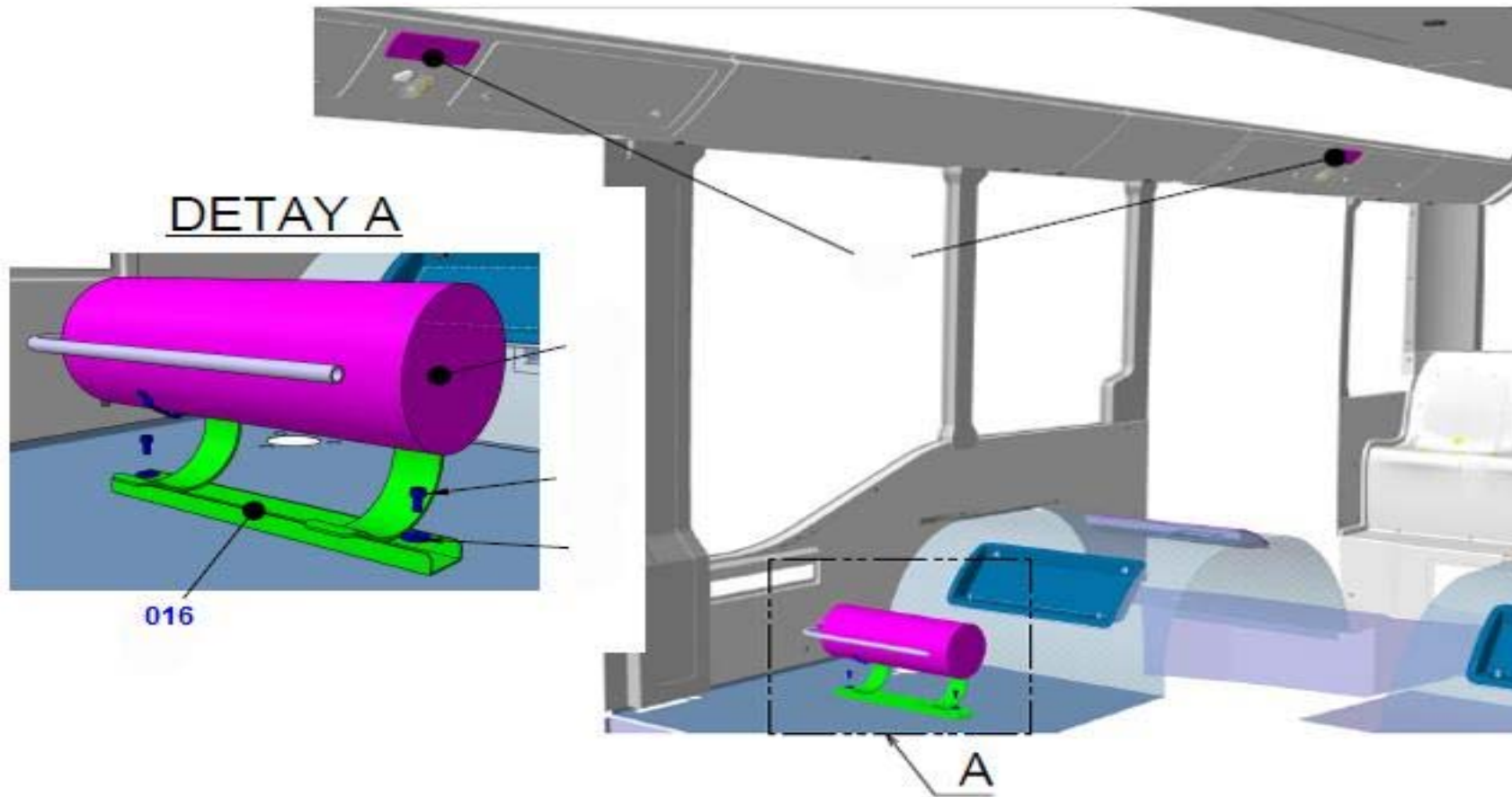


| POZ | Part No | N.S.N | Code | Part Name (Türkçe) | Part Name (English) | Quantity |
|-----|--------------|-------|------|--------------------------------------|--------------------------------------|-------------|
| | | | | <i>Radio Antenna & Speakers</i> | | |
| 001 | 387021710001 | | | DIJITAL SAAT, DURACAK | DIGITAL CLOCK | 1 |
| 003 | 387019611101 | | | PANEL, ARAC IC BILGI | INFORMATION PANEL | 1 |
| 004 | 300010612101 | | | CIVATA, AKB M6X1X12, KALIN D. DIN933 | BOLT, HEX M6X1X12, COARSE T. DIN933 | 8 |
| 005 | 300090815101 | | | CIVATA, SLB M8X15, KALIN D. DIN912 | BOLT, SOCKET M8X15, COARSE T. DIN912 | 4 |
| 006 | 301110008201 | | | PUL, DIN9021 8X25X2 | WASHER, DIN9021 8X25X2 | 4 |
| 007 | 387037783001 | | | ELEKTRIKLI PERDE, ON CAM | ELECTRICAL CURTAIN, FRONT GLASS | 1 |
| 008 | 387037784201 | | | PERDE, YAN CAM | CURTAIN, SIDE WINDOW | 1 |
| 009 | 301904219201 | | | VIDA, 4.2x19 DIN 7981 SARI | SCREW, 4.2X19 DIN 7981 YELLOW | 5 |
| 010 | 387038622001 | | | BRAKET, YANGIN SONDURME TUPU | BRACKET, FIRE EXTINGUISHER | 1 |
| 011 | 388885938001 | | | YANGIN SONDURME CIHAZI 6KG | FIRE EXTINGUISHER 6 KG | 2 |
| 012 | 387038626001 | | | BRAKET, YAN PERDE | BRACKET, SIDE CURTAN | 1 |
| 013 | 301794219201 | | | VIDA, MERCIMEK HAVSA BASLI 4.2 | SCREW, COUNERSUNK OVAL HEADED 4.2 | 2 |
| 014 | 387026601001 | | | ABS VIDA KAPAGI, KOYU GRI | COVER, SCREW 4, 2 | 2 |
| | | | | Radio Antenna & Speakers | Electric&Electronic | 0810 |

0810

Electric&Electronic

Radio Antenna & Speakers



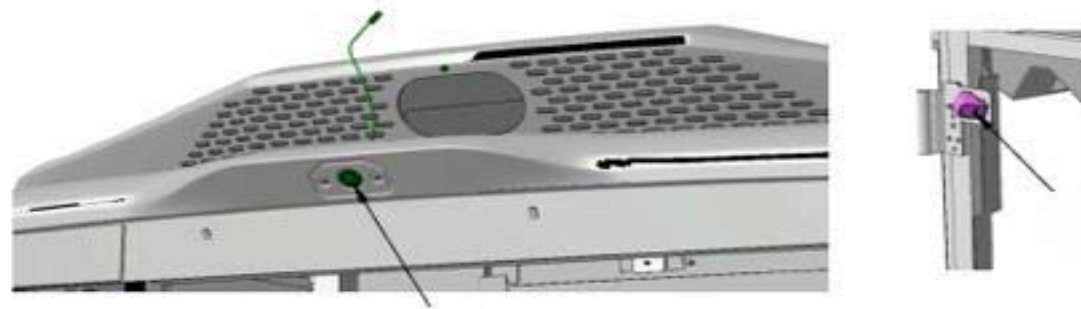
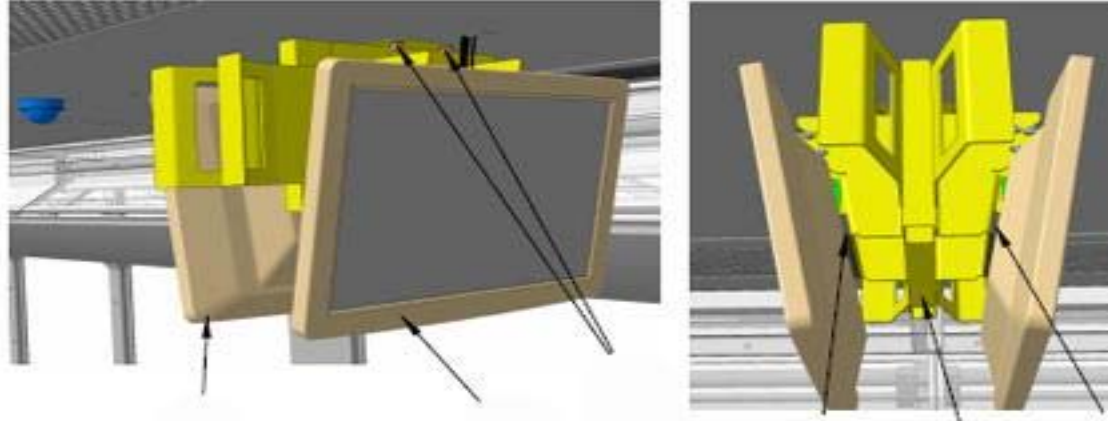
Picture No: EPL349390200-00

| POZ | Part No | N.S.N | Code | Part Name (Türkçe) | Part Name (English) | Quantity |
|-----|--------------|-------|------|---|--------------------------------|-------------|
| 016 | 387002375101 | | | <i>Radio Antenna & Speakers</i> BRAKET, YANGIN TUPU BAGLANTI | BRACKET, FIRE TUBE CONNECT. | 1 |
| | | | | Radio Antenna & Speakers | Electric&Electronic | 0810 |

0811

Electric&Electronic

Tv & Video



Picture No: EPL349730200-01

Bölüm Sonu

ANADOLU ISUZU OTOMOTIV SAN. TIC. A.S.

ISUZU



ANADOLU GRUBU

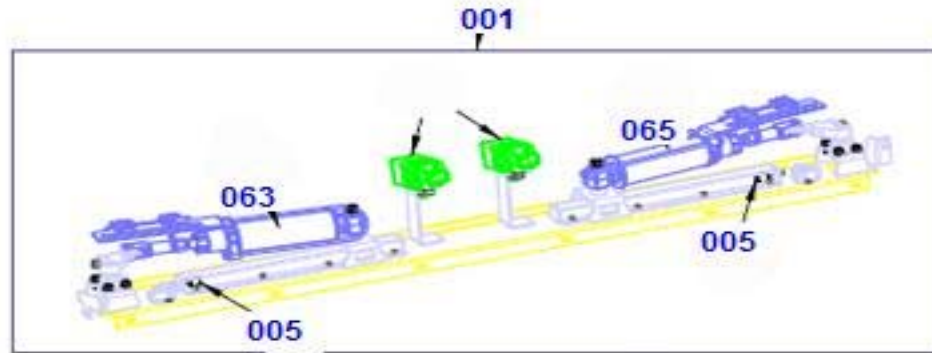
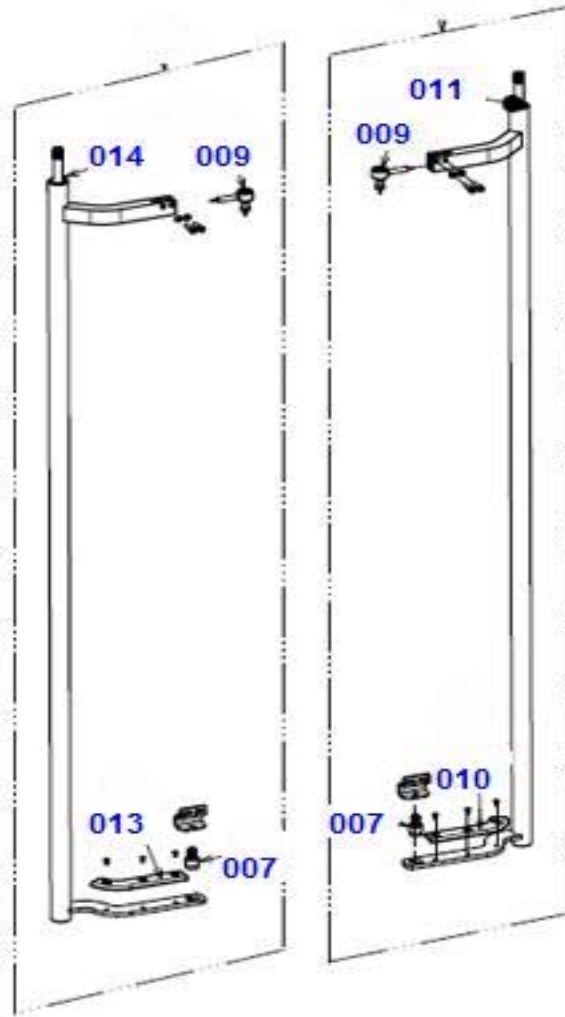
CITIPORT AT E6

09-Air System

0901

Air System

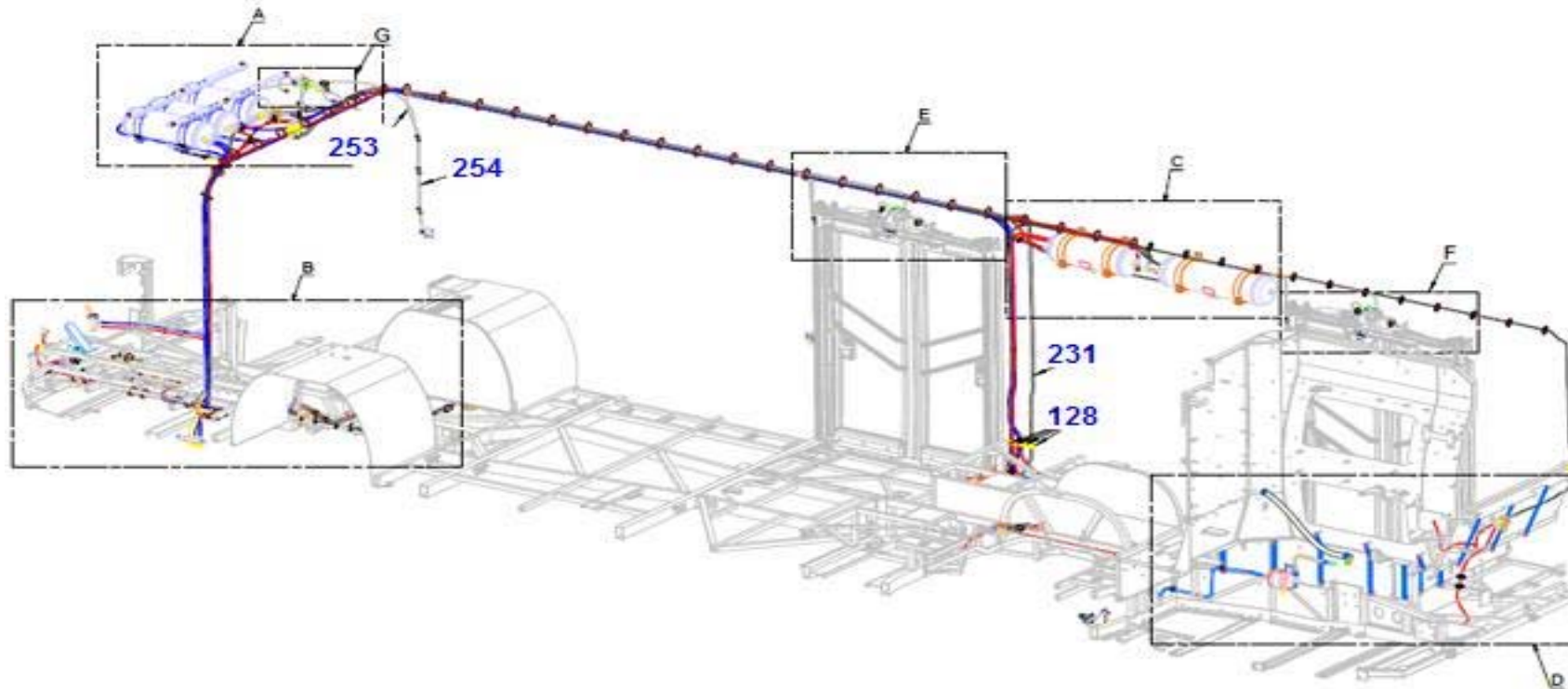
Air System



Picture No: EPL349510200-00



| POZ | Part No | N.S.N | Code | Part Name (Türkçe) | Part Name (English) | Quantity |
|-------------------|--------------|-------|------|--|--|-------------|
| | | | | <i>Air System</i> | | |
| 001 | 387038204101 | | | PISTON MEKANIZMA GR.KOMP, ON KAPI | PISTON MECHANISM GR ASM. FRONT DOOR | 1 |
| 005 | 387022659001 | | | TAKOZ, KOL DAYAMA, M6 | BLOCK, ARMREST | 2 |
| 007 | 387038196001 | | | DONER ROTIL ALT | LOWER BALL JOINT | 1 |
| 009 | 387038198001 | | | ROT, HAVA CIKISLI (Ø12_M10 ZN_NI SIYAH) | ROD | 1 |
| 010 | 387022644101 | | | ESIK PLASTIGI, DONDURME KOLU HAREKETLI | SCULPTURE IN THE THRESHOLD, MOVING ARM R | 1 |
| 011 | 387038200001 | | | KABLO KMP, DONDURME KOLU GERI ACMA SISTE | CABLE, ROTATING ARM BACK OPENING SYSTEM | 1 |
| 013 | 387022651101 | | | ESIK PLASTIGI, DONDURME KOL HAREKETLI SO | SCULPTURE IN THE THRESHOLD, MOVING ARM R | 1 |
| 014 | 387038203001 | | | KABLO KMP, DONDURME KOLU GERI ACMA SISTE | CABLE, ROTATING ARM BACK OPENING SYSTEM | 1 |
| 054 | 387035105001 | | | BRAKET, ECAS BAGLANTI ARKA | BRACKET, ECAS REAR CONNECTION | 2 |
| 054 | 387035511001 | | | TAMIR TAKIMI, SELENOID VALF | REPAIR KIT, SELENOID VALVE | 1 |
| 063 | 387022660001 | | | PISTON, YASTIKLI YATAY 140 STROK SWITCHL | PISTON, PADDED SWITCH HORIZONTAL STROKE | 1 |
| 065 | 387039209001 | | | PISTON, YASTIKLI 140 STROK SWITCHLI, SOL | PISTON, PADDED SWITCH 140 STROKE, LEFT | 1 |
| Air System | | | | Air System | | 0901 |

0901**Air System****Air System**

Picture No: EPLB3494201-00

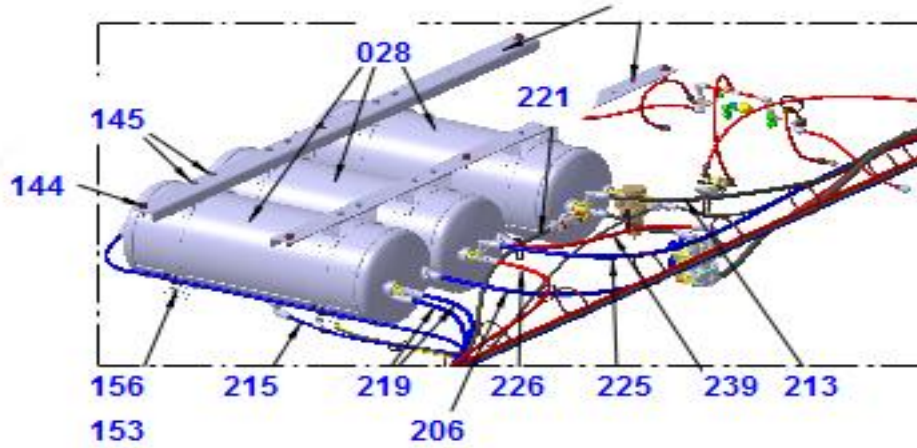
| POZ | Part No | N.S.N | Code | Part Name (Türkçe) | Part Name (English) | Quantity |
|-------------------|--------------|-------|------|--------------------|---------------------|-------------|
| | | | | <i>Air System</i> | | |
| 128 | 388881883001 | | | GROMET | GROMMET | 7 |
| 231 | 308276900001 | | | HORTUM, PNO | HOSE, PNO | 1 |
| 253 | 308232140001 | | | HORTUM, PNO | TUBE, NYLON | 1 |
| 254 | 308132245001 | | | HORTUM, PNO | HOSE, PNO | 2 |
| Air System | | | | Air System | | 0901 |

0901

Air System

Air System

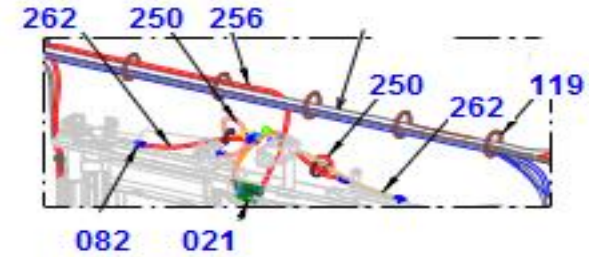
Detail A



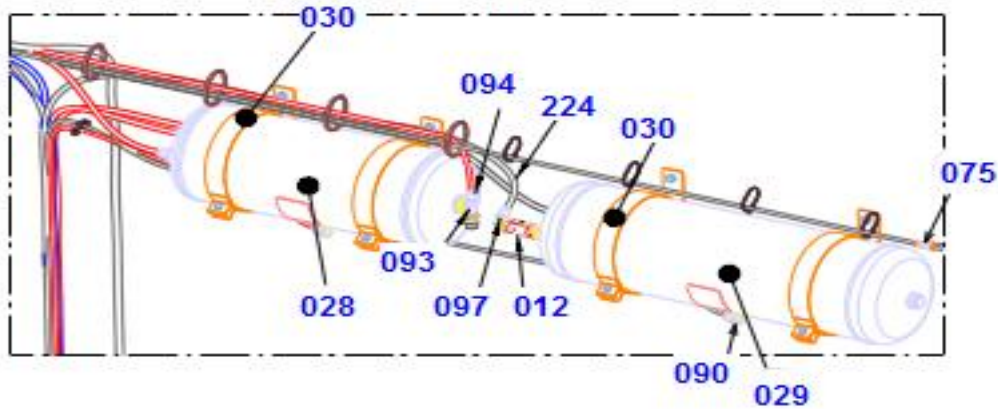
Detail G (ön kapı)



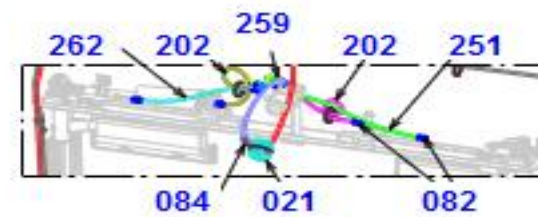
Detail E (orta kapı)



Detail C



Detail F (arka kapı)



Picture No: EPLB3494202-00

| POZ | Part No | N.S.N | Code | Part Name (Türkçe) | Part Name (English) | Quantity |
|-----|--------------|-------|------|---|---|----------|
| | | | | <i>Air System</i> | | |
| 012 | 387036200051 | | | CEKVALF, 2XM22 | CHECK VALVE | 2 |
| 021 | 387030249101 | | | MUSLUK, DORT KOSE SWITCHSIZ | TAP, AIR DISCHARGE WITHOUT SWITCH | 6 |
| 028 | 387019003001 | | | TANK, HAVA 30 LT | TANK, AIR 30 LT | 4 |
| 029 | 387031532001 | | | TANK, HAVA 40 LT | TANK, AIR 40 LT | 1 |
| 030 | 387013748101 | | | CEMBER, TANK BAGLANTI | RING, TANK CONNECT. | 4 |
| 075 | 377774064001 | | | Q KAPLIN, T -3XT8 | FITTING, T 3xt8 | 7 |
| 082 | 387048405001 | | | RAKOR, DUZ M12-T8 | FITTING, MALE M12-T8 | 20 |
| 084 | 387048886001 | | | RAKOR, M12X1, 5 T8 | RACOR, M12X1, 5 T8 | 15 |
| 090 | 387016247001 | | | P. I. R -D. DIRSEK, M22-T8 TK. | P. I. R-D. ELBOW, M22-T8 TK. | 7 |
| 093 | 377779050001 | | | RAKOR, T M22 2xM16 | FITTING, T M22-2xM16 | 3 |
| 094 | 377777212001 | | | P. I. RAKOR, DUZ, M16 -T10 | P. I. UNIONS, STRAIGHT M16-T10 | 9 |
| 097 | 377777223001 | | | P. I. R DIRSEK, M22 -T12 TK | FITTING, ELBOW M22-T12 | 8 |
| 119 | 509707030001 | | | PL. SERIT KELEPCE - 250 LIK | CLIP | 60 |
| 144 | 300121025601 | | | CIVATA, FLN M10X1. 5X25, KALIN D. DIN6921 | BOLT, FLN M10X1. 5X25, COARSE T. DIN6921 | 6 |
| 145 | 300010820201 | | | CIVATA, AKB M8X1. 25X20, KALIN D. DIN933 | BOLT, HEX M8X1. 25X20, COARSE T. DIN933 | 12 |
| 153 | 300010845201 | | | CIVATA, AKB M8X1. 25X50, KALIN D. DIN933 | BOLT, HEX M8X1. 25X45, COARSE T. DIN933 | 10 |
| 156 | 300580008601 | | | SOMUN, FLN&TR M8X1. 25, KALIN D. DIN 6923 | NUT, FLN&SRTD M8X1. 25, COARSE T. DIN 692 | 22 |
| 202 | 387029463001 | | | GROMET, SIZDIRMAZ KAPAK | GROMMET, LEAK TIGHT CLOSURE | 1 |
| 206 | 308354065001 | | | HORTUM, PNO | HOSE, PNO | 1 |
| 213 | 308254760001 | | | HORTUM, PNO | HOSE, PNO | 1 |
| 215 | 308332350001 | | | HORTUM, PNO | HOSE, PNO | 1 |
| 219 | 308354400001 | | | HORTUM, PNO | HOSE, PNO | 2 |
| 221 | 308254470001 | | | HORTUM, PNO | HOSE, PNO | 1 |
| 224 | 308254385001 | | | HORTUM, PNO | HOSE, PNO | 1 |
| 225 | 308354970001 | | | HORTUM, PNO | HOSE, PNO | 1 |
| 226 | 308144345001 | | | HORTUM, PNO | HOSE, PNO | 1 |
| 239 | 308144045001 | | | HORTUM, PNO | HOSE | 1 |
| 250 | 308132065001 | | | HORTUM, PNO | HOSE, POLIAMID | 4 |

Air System

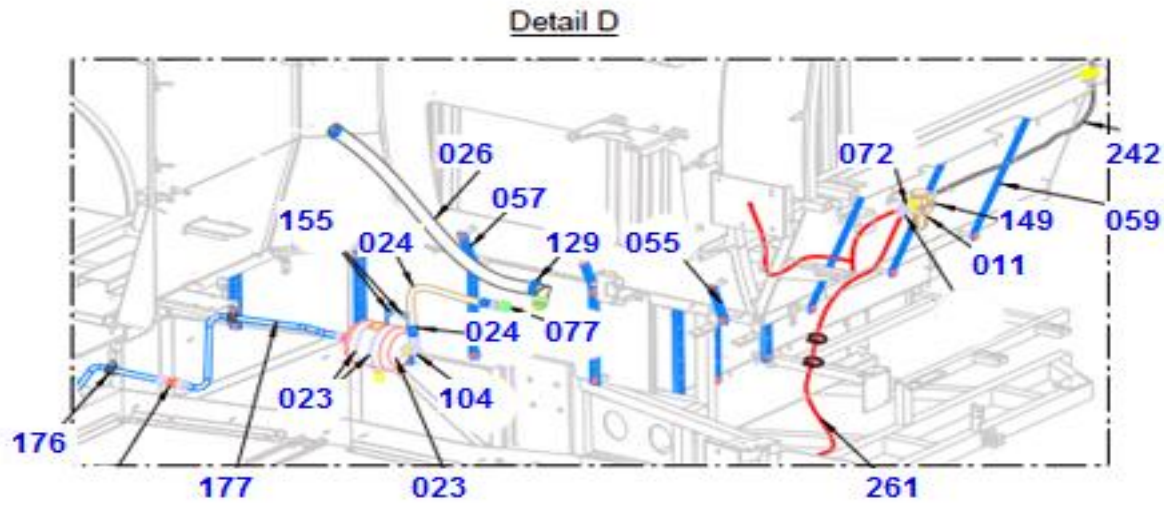
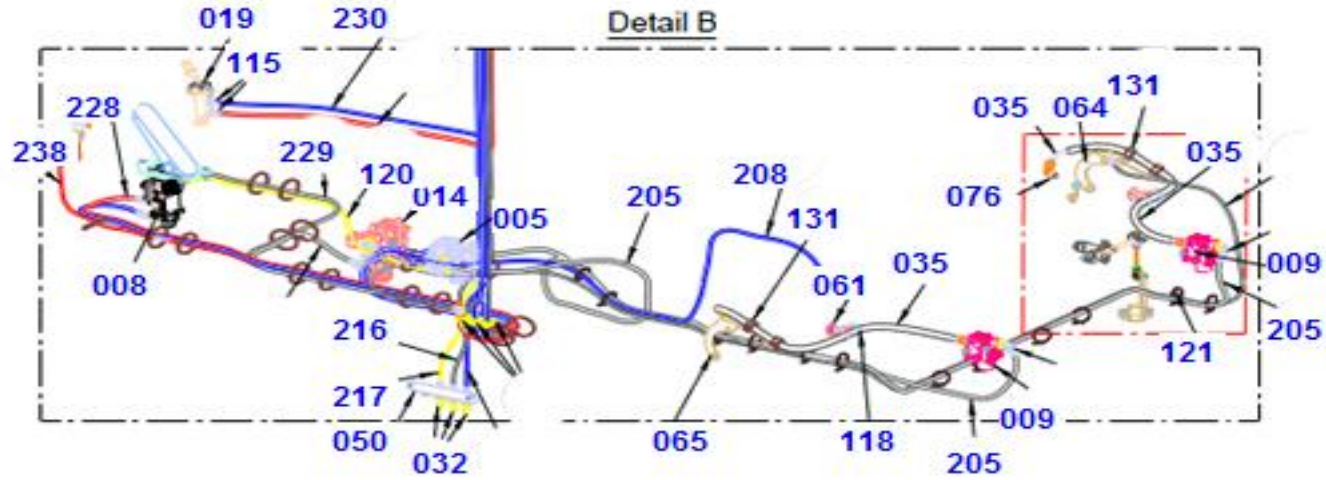
Air System

0901

0901

Air System

Air System



Picture No: EPLB3494202-01

| POZ | Part No | N.S.N | Code | Part Name (Türkçe) | Part Name (English) | Quantity |
|-----|--------------|-------|------|---|--|----------|
| | | | | <i>Air System</i> | | |
| 005 | 387036374151 | | | VALF, EBS ON AKS | VALVE, EBS FRONT AXLE | 1 |
| 008 | 387036373151 | | | VALF, AYAK FREN | BRAKE SIGNAL TRANSMITTER-2 | 1 |
| 009 | 387036371051 | | | VALF, ABS MODULATOR | VALVE, ABS MODULATOR | 2 |
| 011 | 387032986051 | | | VALF, BASINC SINIRLAYICI | VALVE, PRESSURE LIMITING | 1 |
| 014 | 387036376051 | | | VALF, ECAS ON | VALVE, ECAS FRONT | 1 |
| 019 | 387026791101 | | | VALF, EL FREN, HB1142 | VALVE, HAND BRAKE, HB1142 | 1 |
| 023 | 387021686201 | | | TANK, HAVA 3 LT | TANK, AIR 3 LT | 1 |
| 024 | 387043110001 | | | HORTUM, KOMPRESOR BASINC | HOSE, COMPRESSOR PRESSURE | 1 |
| 026 | 387035109101 | | | HORTUM, KOMPRESOR EMIS | HOSE, COMPRESSOR INTAKE | 1 |
| 032 | 377779733001 | | | TAHLIYE, CEKMELI TIP | WITH PULL RING | 6 |
| 035 | 387035752101 | | | HORTUM, FREN KORUGU 10 MM M18x1, 5 | HOSE, BRAKE BELLOWS 1P MM M18x1.5 | 2 |
| 035 | 377772222101 | | | SOMUN, M18x1. 5 - T12 | NUT, M18X1. 5 - T12 | 1 |
| 050 | 387020634201 | | | BRAKET, TANK TAHLIYE | BRACKET, COMPRESSOR | 1 |
| 055 | 387036404001 | | | BRAKET, LAYOUT BAGLANTI | BRACKET, LAYOUT CONNECTION | 1 |
| 057 | 387036406001 | | | BRAKET, LAYOUT BAGLANTI | BRACKET, LAYOUT CONNECTION | 2 |
| 059 | 387036409001 | | | BRAKET, LAYOUT BAGLANTI | BRACKET, LAYOUT CONNECTION | 3 |
| 061 | 387036412001 | | | PUL, OZEL | WASHER, SPECIAL | 2 |
| 064 | 387036413001 | | | BRAKET, FREN HORTUM BAGLANTI SAG | BRACKET, BRAKE HOSE CONNECTION RIGHT | 1 |
| 065 | 387036414001 | | | BRAKET, FREN HORTUM BAGLANTI SOL | BRACKET, BRAKE HOSE CONNECTION LEFT | 1 |
| 072 | 37777227001 | | | Y. RAKOR-TILT M22 - 2xM16 | FITTING M22 - 2xM16 | 6 |
| 076 | 377773819001 | | | DIRSEK, M16x1. 5 -T 12 | CONNECTOR | 4 |
| 077 | 387043045001 | | | RAKOR, DUZ M26x1, 5 T20 M30x2 | NIPPLE | 1 |
| 104 | 377773482001 | | | RAKOR, DIRSEK M22 x T 16 | FITTING, ELBOW M22-T16 | 1 |
| 115 | 387014581001 | | | P. I. RAKOR, DUZ, M14-T08 | P. I. UNION, STRAIGHT, M14-T08 | 1 |
| 118 | 509707031001 | | | KELEPCE, PLASTIK | CLAMP, PLASTIC | 4 |
| 120 | 377771438001 | | | KELEPCE, PLASTIK EB. 04. 204_3, 6*205mm | CLAMP, CABLE TIES | 12 |
| 121 | 377771437001 | | | PLASTIK KELEPCE, EB. 03. 203_3, 6*150mm | PLASTIC CLIP, EB. 03. 203_3, 6 * 150MM | 23 |
| 129 | 305353250801 | | | KELEPCE, VIDALI B9, Ø32-50, DIN3017 | CLAMP, W/BOLT B9, Ø32-50, DIN3017 | 2 |

Air System

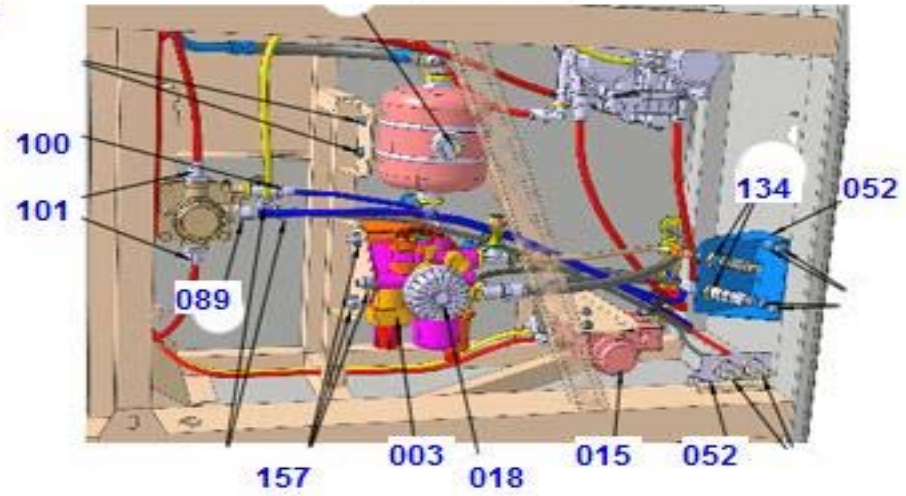
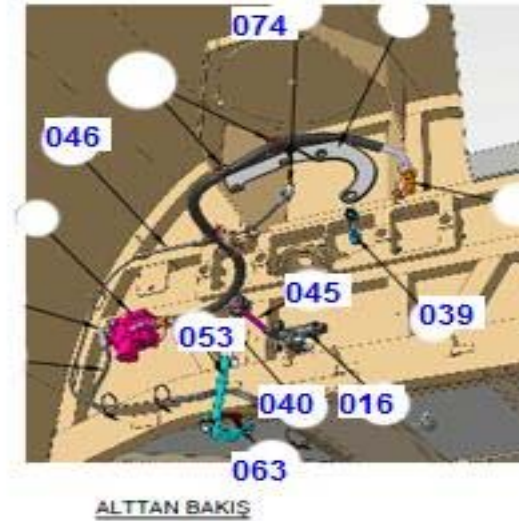
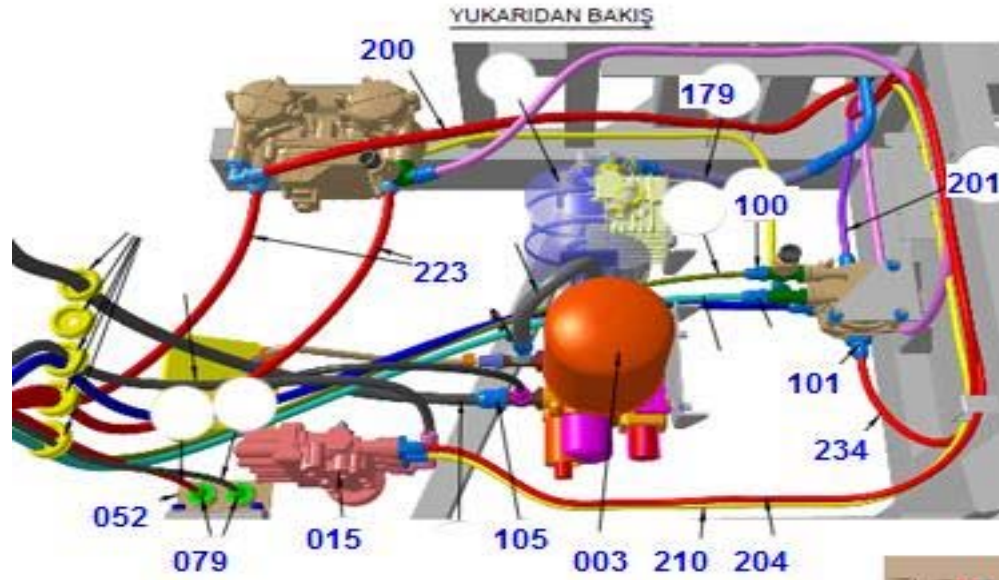
Air System

0901

0901

Air System

Air System



Picture No: EPLB3494203-00

| POZ | Part No | N.S.N | Code | Part Name (Türkçe) | Part Name (English) | Quantity |
|-----|--------------|-------|------|---------------------------------------|--------------------------------------|----------|
| | | | | <i>Air System</i> | | |
| 003 | 387037744051 | | | KURUTUCU, HAVA 4324150220 | VALVE, AIR DRYER | 1 |
| 015 | 387036377051 | | | VALF, ECAS ARKA | VALVE, ECAS REAR | 1 |
| 016 | 387035094051 | | | SENSOR, ECAS YUKSEKLIK | DISTANCE SENSOR | 3 |
| 018 | 377773364051 | | | SUSTURUCU (432 407 01 20) | SILENCER (432 407 01 20) | 1 |
| 039 | 377773750001 | | | TEST P. M16X1, 5 ORINGLI | TEST P. M16X1, 5 | 2 |
| 040 | 387009721001 | | | CUBUK, SEVIYE VALFI | ROD, LEVELLING VALVE | 1 |
| 045 | 387036477001 | | | QUICK KAPLIN, ERKEK UC, R1/4 | QUICK COUPLING, MALE INSERT R1/4 | 1 |
| 046 | 387001947001 | | | SELENOID VALF KOMPLE | SELENOID VALVE | 1 |
| 052 | 387028421001 | | | BRAKET, TANK TAHLIYE | BRACKET, TANK DISCHARGE | 1 |
| 053 | 387043672001 | | | BRAKET, ECAS BAGLANTI ON ALT | BRACKET, ECAS FRONT LOWER CONNECTION | 1 |
| 063 | 387040615001 | | | BRAKET, ECAS BAGLANTI, ON UST | BRACKET, ECAS FRONT UPPER CONNECTION | 1 |
| 074 | 387034808001 | | | P. I. R. D. DIRSEK, M10 -T8 TK | FITTING, ELBOW, M10 -T8 TK | 6 |
| 079 | 377777214001 | | | P. I. RAKOR, DUZ, M22 -T8 | P. I. UNIONS, STRAIGHT M22-T8 | 8 |
| 089 | 377777216001 | | | P. I. RAKOR, DUZ, M22-T12 | CONNECTOR, M22-T12 | 8 |
| 100 | 377777211001 | | | P. I. RAKOR, DUZ, M16 -T8 | FITTING, STRAIGHT M16-T8 | 3 |
| 101 | 377777215001 | | | P. I. RAKOR, DUZ, M22-T10 | P. I. UNIONS, STRAIGHT M22-T10 | 3 |
| 105 | 387021607001 | | | RAKOR, DUZ M16-T16 | FITTING, STRAIGHT M16-T16 | 2 |
| 134 | 304010016001 | | | PUL, ALUMINYUM M16 | GASKET | 8 |
| 157 | 300500012201 | | | SOMUN, AKB M12X1. 75, KALIN D. DIN934 | NUT, HEX M12X1. 75, COARSE T. DIN934 | 3 |
| 179 | 387039596201 | | | BORU, KOMPRESOR BASINC 03 | PIPE, COMPRESSOR PRESSURE 03 | 1 |
| 200 | 308154205001 | | | HORTUM, PNO | HOSE, PNO | 2 |
| 201 | 308144160001 | | | HORTUM, PNO | HOSE, PNO | 1 |
| 204 | 308132240001 | | | HORTUM, PNO | HOSE, PNO | 1 |
| 210 | 308432165001 | | | HORTUM, PNO | HOSE, PNO | 1 |
| 223 | 308154290001 | | | HORTUM, PNO | HOSE, PNO | 2 |
| 232 | 308132300001 | | | HORTUM, PNO | HOSE | 1 |
| 233 | 308232405001 | | | HORTUM, PNO | HOSE, PNO | 1 |
| 234 | 308144160001 | | | HORTUM, PNO | HOSE, PNO | 1 |

Air System

Air System

0901

Bölüm Sonu

ANADOLU ISUZU OTOMOTIV SAN. TIC. A.S.

ISUZU



ANADOLU GRUBU

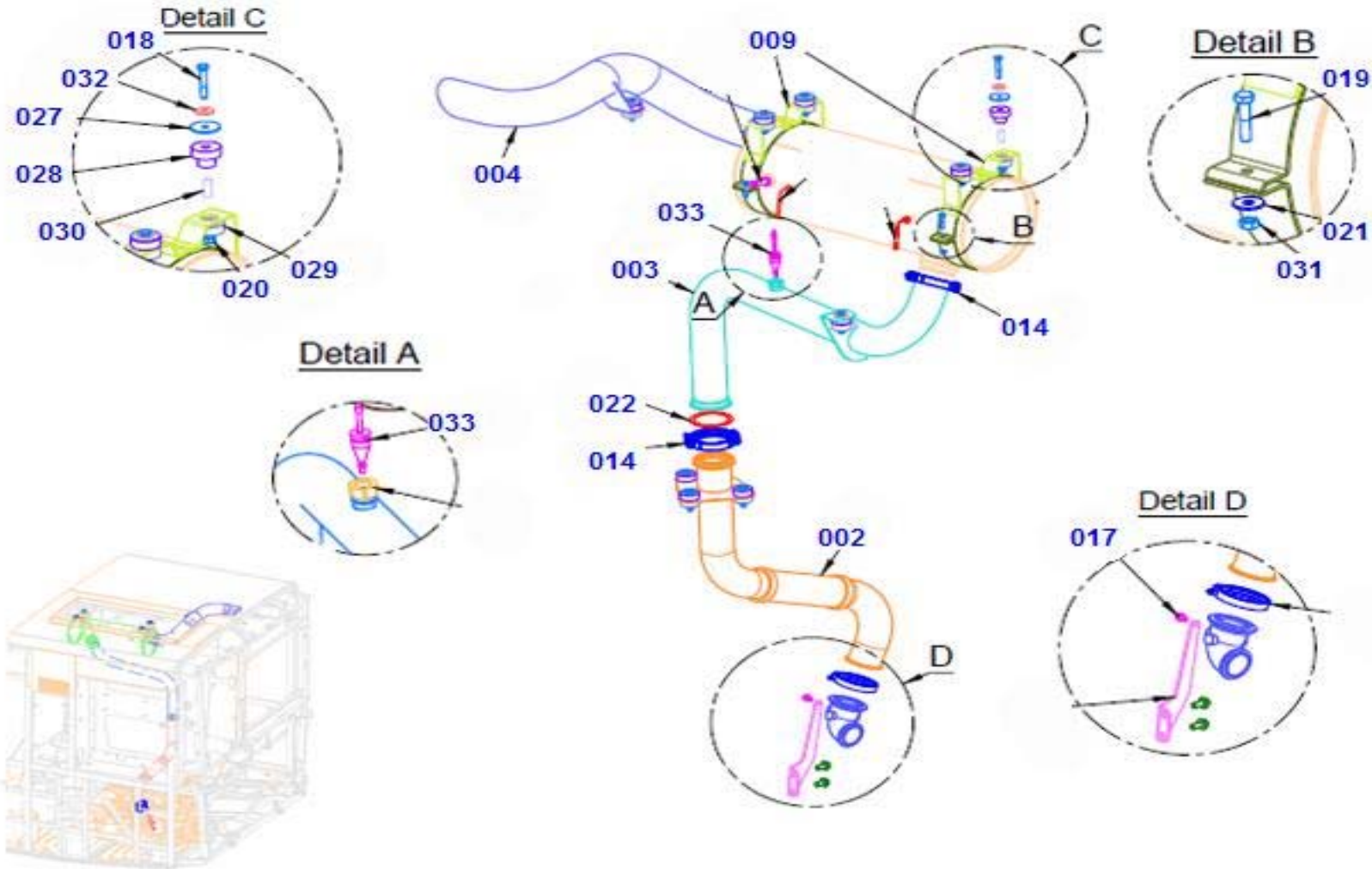
CITIPORT AT E6

10-Exhaust

1001

Exhaust

Exhaust Pipe & Silencer



Picture No: EPL34150010066-00

| POZ | Part No | N.S.N | Code | Part Name (Türkçe) | Part Name (English) | Quantity |
|------------------------------------|--------------|-------|------|---|--|-------------|
| | | | | <i>Exhaust Pipe & Silencer</i> | | |
| 002 | 387043298001 | | | BORU KOMPLE, EGZOZ CIKIS | PIPE ASM. EXHAUST EXIT | 1 |
| 003 | 387040883001 | | | BORU, KOMPLE EGZOZ | PIPE ASM. EXHAUST | 1 |
| 004 | 387040880001 | | | BORU, KOMPLE EGZOZ | PIPE ASM. EXHAUST | 1 |
| 009 | 387041859001 | | | KARKAS, SUSTURUCU ASKI | FRAME, SILENCER HANGER | 1 |
| 014 | 387038757001 | | | KELEPCE, EGZOZ BORU BAGLANTI | CLAMP | 2 |
| 017 | 300011016601 | | | CIVATA, AKB M10X1. 5X16 KALIN D. DIN 933 | BOLT, HEX M10X1. 5X16 COARSE T. DIN 933 | 1 |
| 018 | 300010865601 | | | CIVATA, AKB M8X1. 25X65 KALIN D. DIN 933 | BOLT, HEX M8X1. 25X65 COARSE T. DIN 933 | 3 |
| 019 | 300011040601 | | | CIVATA, AKB M10X1. 5X40, KALIN D. DIN 933 | BOLT, HEX M10X1. 5X40, COARSE T. DIN 933 | 6 |
| 020 | 300500006601 | | | SOMUN, AKB M6X1, KALIN D. DIN934 | NUT, HEX M6X1, COARSE T. DIN934 | 3 |
| 021 | 301110008601 | | | PUL, DIN9021 8X25X2 | WASHER, DIN9021 8X25X2 | 2 |
| 022 | 387038761001 | | | CONTA, EGZOZ BORU BAGLANTI | GASKET, EXHAUST PIPE CONNECTION | 2 |
| 027 | 509503017001 | | | RONDELA | WASHER | 3 |
| 028 | 894457277101 | | | ASKI KMP, EGZOZ SUSTURUCU | HANGER ASM. EXHAUST, SILENCER | 3 |
| 029 | 894457278101 | | | ASKI KMP, EGZOZ SUSTURUCU | HANGER ASM. EXHAUST, SILENCER | 3 |
| 030 | 922151217001 | | | ARA PARCA, EGZOZ KUYRUK | SPACER, EXH TAIL | 2 |
| 031 | 300031280601 | | | CIVATA, AKB M12X1. 75X80, KALIN D. DIN931 | BOLT, HEX M12X1. 75X80, COARSE T. DIN931 | 4 |
| 032 | 300620012601 | | | SOMUN, FLN M12X1. 75, KALIN D. DIN6923 | NUT, FLN M12X1. 75, COARSE T. DIN6923 | 4 |
| 033 | 387037793001 | | | CONTA, EGZOZ | GASKET, EXHAUST | 1 |
| Exhaust Pipe & Silencer | | | | Exhaust | | 1001 |

Bölüm Sonu

ANADOLU ISUZU OTOMOTIV SAN. TIC. A.S.

ISUZU



ANADOLU GRUBU

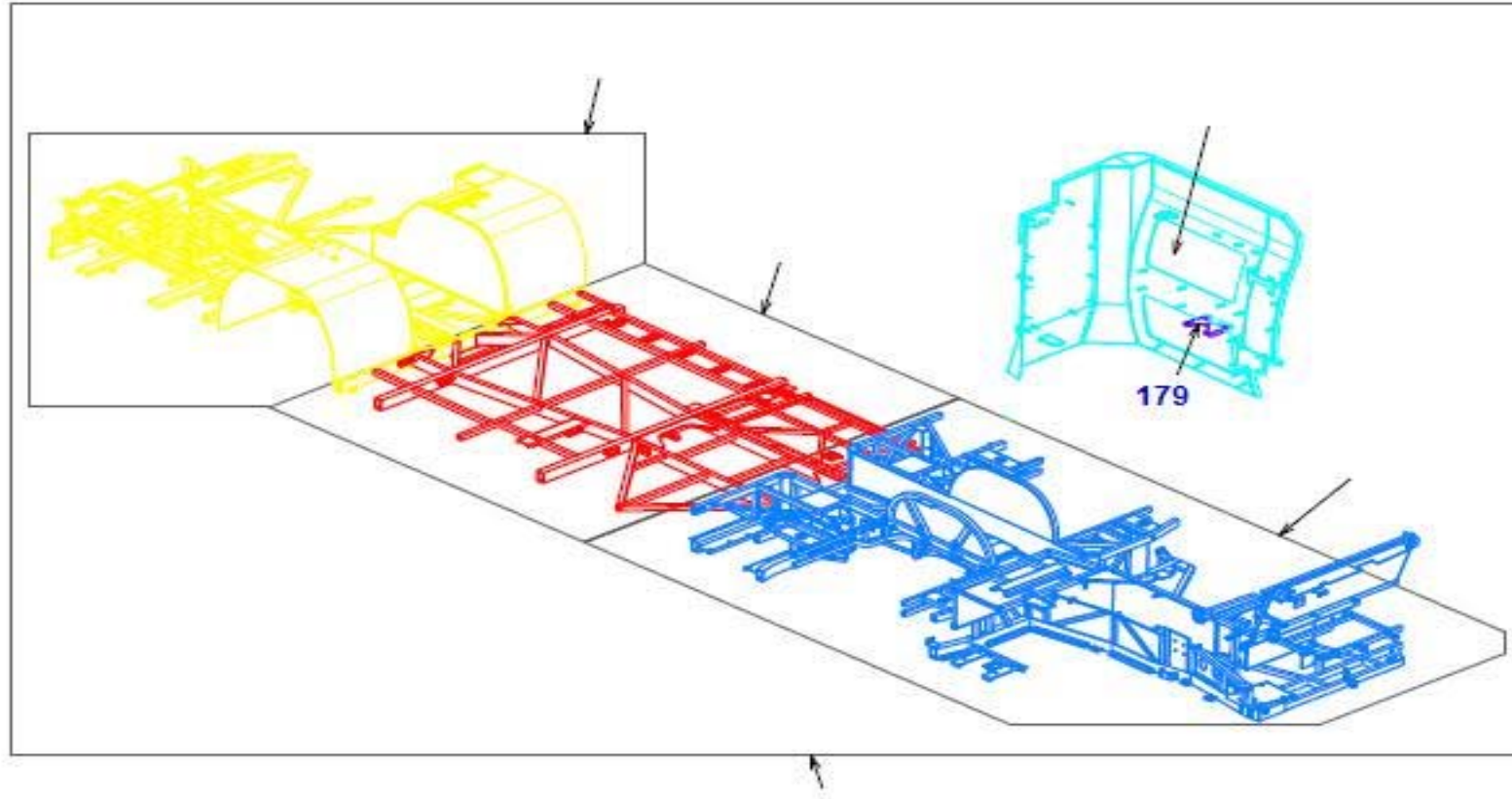
CITIPOINT AT E6

11-Carcass

1101

Carcass

Floor Carcass Asm



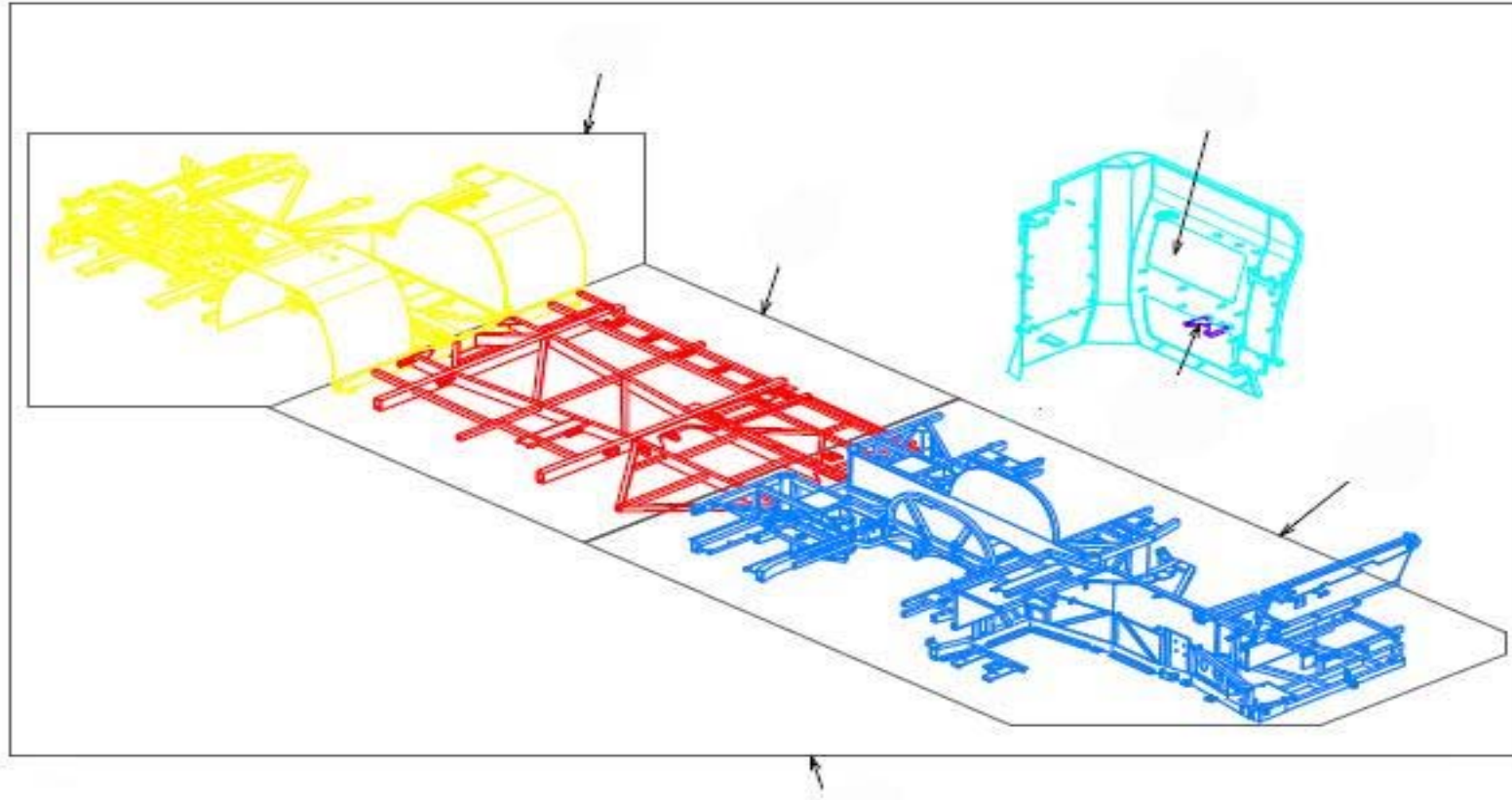
Picture No: EPL349540100-00

| POZ | Part No | N.S.N | Code | Part Name (Türkçe) | Part Name (English) | Quantity |
|-------------------|--------------|-------|------|---|-----------------------|----------|
| 179 | 387035578101 | | | <i>Floor Carcass Asm</i> BRAKET, EGZOZ GOVDE | BRACKET, EXHAUST BODY | 1 |
| Floor Carcass Asm | | | | Carcass | | 1101 |

1101

Carcass

Floor Carcass Asm



Picture No: EPL349540100-01

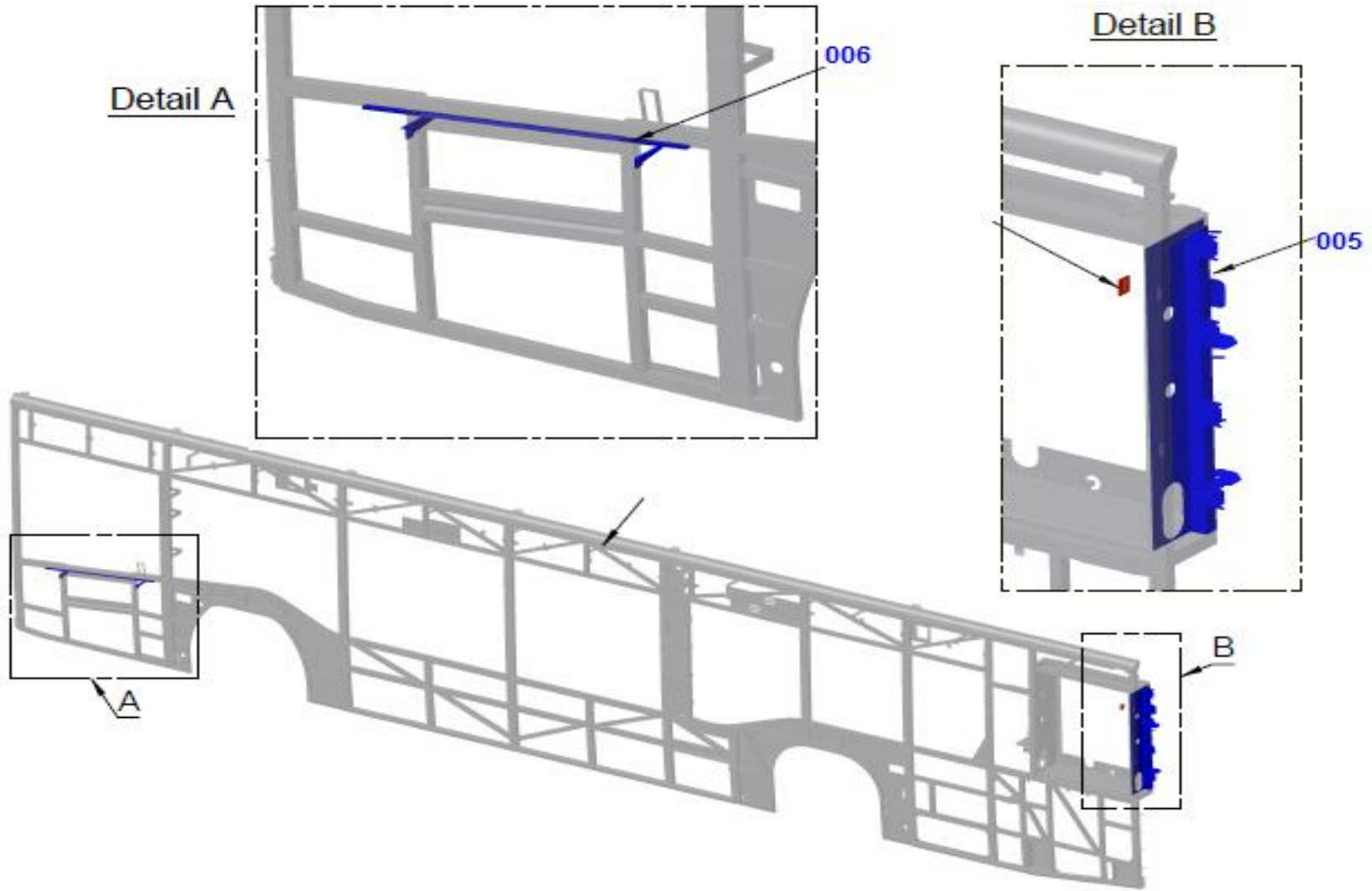


| POZ | Part No | N.S.N | Code | Part Name (Türkçe) | Part Name (English) | Quantity |
|--------------------------|--------------|-------|------|---|---|-------------|
| | | | | <i>Floor Carcass Asm</i> | | |
| 120 | 387038311101 | | | PROFIL, MOTOR ALT DESTEK | PROFILE, ENGINE SUPPORT | 1 |
| 121 | 300031030201 | | | CIVATA, AKB M10X1. 5X30, KALIN D. DIN931 | BOLT, HEX M10X1. 5X30, COARSE T. DIN931 | 8 |
| 122 | 300580010201 | | | SOMUN, FLN&TR M10X1. 5, KALIN D. DIN 6923 | NUT, FLN&SRTD M10X1. 5, COARSE T. DIN 692 | 8 |
| 123 | 301010010201 | | | RONDELA, YAYLI, M10 | WASHER, SPRING M10 | 8 |
| 162 | 387033897001 | | | SAC, ALT KORUMA | SHEET, LOWER PROTECTION | 1 |
| 165 | 387039041101 | | | KARKAS, SOFOR KAPISI KARSILIGI | CARCASS, DRIVER DOOR | 1 |
| 166 | 387039042201 | | | KARKAS, SOFOR KAPISI BAG | CARCASS, DRIVER DOOR | 1 |
| 170 | 387033895001 | | | SAC, DIREKSIYON KOLONU BAG | SHEET, STEERING COLUMN | 1 |
| 171 | 300051230401 | | | CIVATA, AKB M12X1. 75X30, KALIN D. DIN933 | BOLT, HEX M12X1. 75X30, COARSE T. DIN933 | 14 |
| 172 | 301000012401 | | | RONDELA | WASHER | 14 |
| 180 | 387033937101 | | | SAC, ORTA TABAN ON BIRLESTIRME | SHEET | 1 |
| Floor Carcass Asm | | | | Carcass | | 1101 |

1102

Carcass

Carcass Asm, Lh Side



Picture No: EPL349570100-00

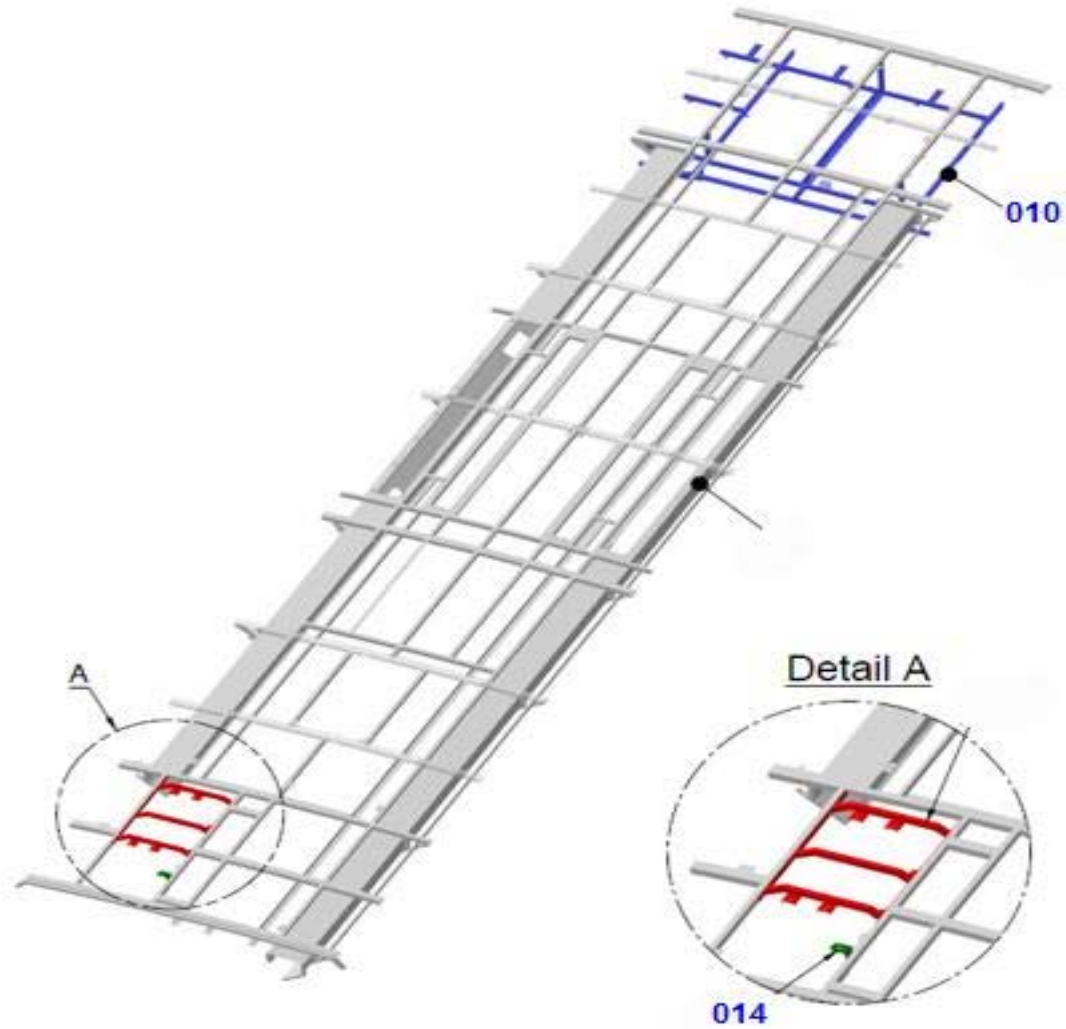


| POZ | Part No | N.S.N | Code | Part Name (Türkçe) | Part Name (English) | Quantity |
|----------------------|--------------|-------|------|-----------------------------|--------------------------|----------|
| | | | | <i>Carcass Asm, Lh Side</i> | | |
| 005 | 387040216101 | | | KARKAS, RADIATOR ARKA GRUP | FRAME, RADIATOR RR GROUP | 1 |
| 006 | 387040344001 | | | PROFIL, ENSTELASYON TUTUCU | PROFILE, HARNESS HOLDER | 1 |
| Carcass Asm, Lh Side | | | | Carcass | | 1102 |

1103

Carcass

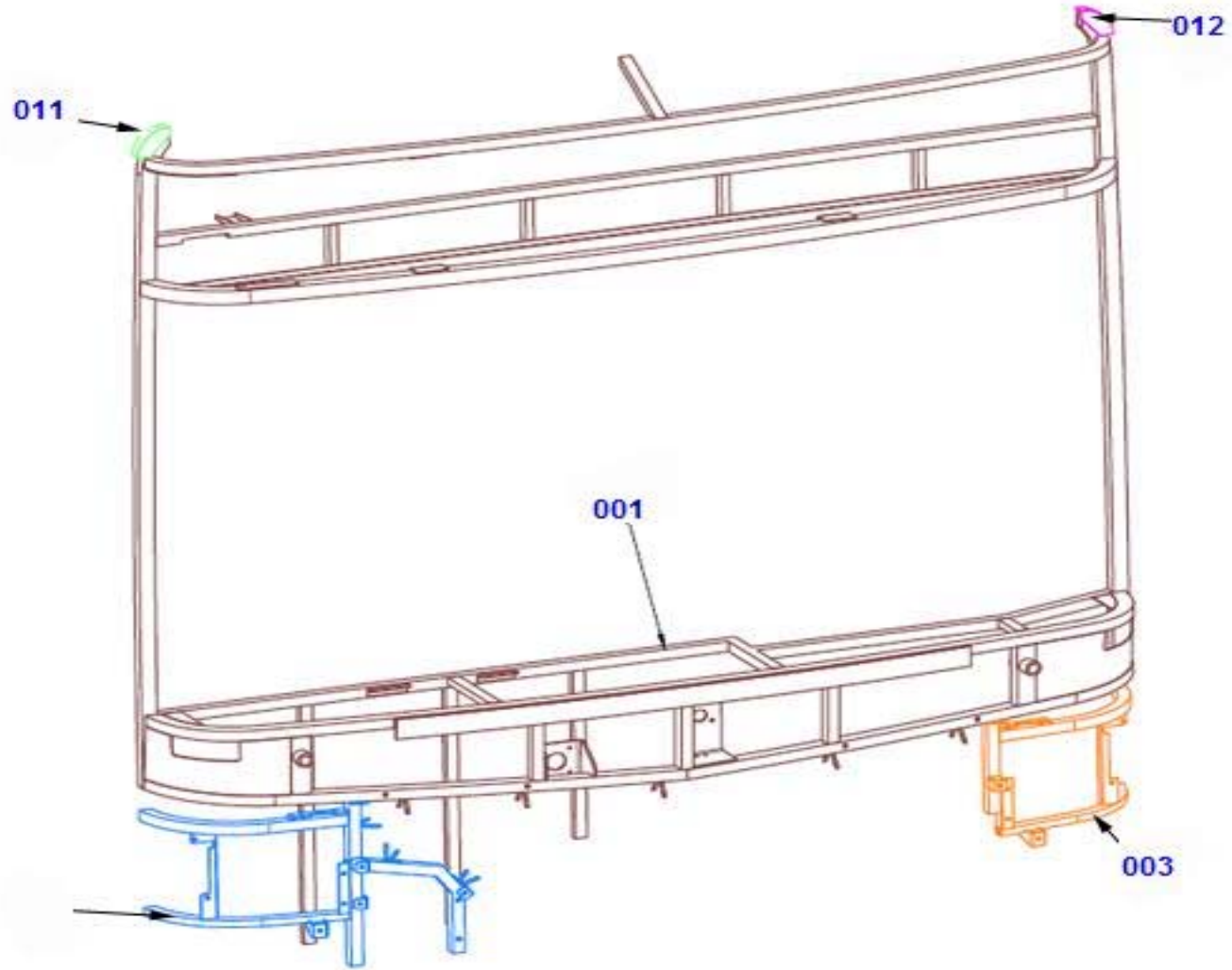
Carcass Asm, Roof



Picture No: EPL349580100-00



| POZ | Part No | N.S.N | Code | Part Name (Türkçe) | Part Name (English) | Quantity |
|-------------------|--------------|-------|------|--------------------------|-----------------------------|----------|
| | | | | <i>Carcass Asm, Roof</i> | | |
| 010 | 387033367301 | | | KARKAS KOMPLE, ON TAVAN | CARCASS, FRONT ROOF | 1 |
| 014 | 387037857001 | | | BRAKET, EGZOZ BAG | BRACKET, EXHAUST CONNECTION | 1 |
| Carcass Asm, Roof | | | | Carcass | | 1103 |

1104**Carcass****Carcass Asm , Front**

Picture No: EPL349590100-00

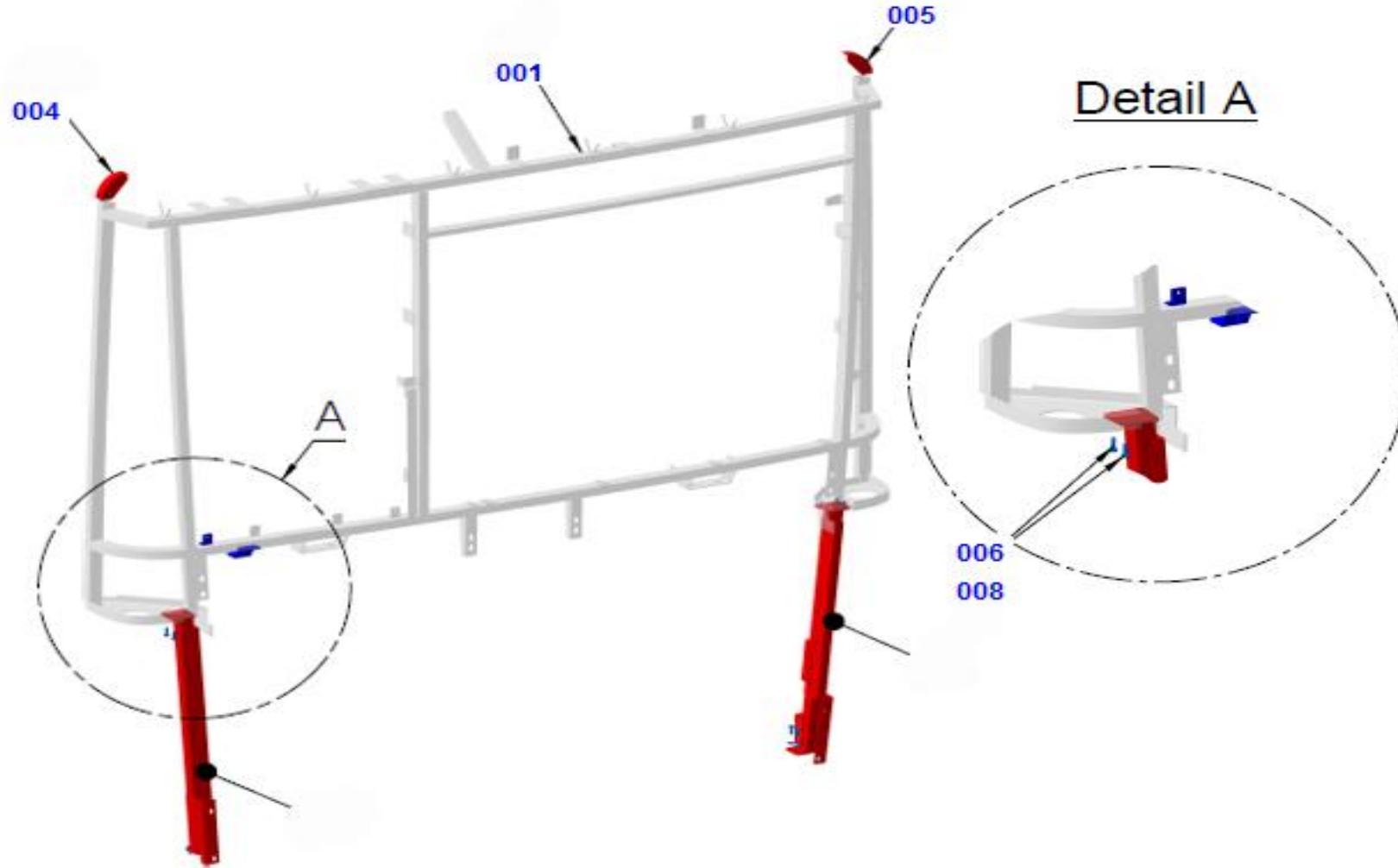


| POZ | Part No | N.S.N | Code | Part Name (Türkçe) | Part Name (English) | Quantity |
|-----|--------------|-------|------|----------------------------|----------------------------|-------------|
| | | | | <i>Carcass Asm , Front</i> | | |
| 001 | 387033115701 | | | KARKAS KOMPLE, ON PANO | FRAME ASM. FRONT PANEL | 1 |
| 003 | 387043838101 | | | KARKAS, SOL FAR GRUBU | FRAME, LEFT HEADLAMP GROUP | 1 |
| 011 | 387020204101 | | | SAC, HEKTASE SOL | SHEET, LEFT | 1 |
| 012 | 387020203101 | | | SAC, HEKTASE SAG | SHEET, PARTS RIGHT | 1 |
| | | | | Carcass Asm , Front | Carcass | 1104 |

1105

Carcass

Carcass Asm , Rear



Picture No: EPL349600100-00



| POZ | Part No | N.S.N | Code | Part Name (Türkçe) | Part Name (English) | Quantity |
|-----|--------------|-------|------|--|---|-------------|
| | | | | <i>Carcass Asm , Rear</i> | | |
| 001 | 387034842601 | | | KARKAS, ARKA PANO KOMPLE | FRAME, RR PANEL ASM. | 1 |
| 004 | 387020204101 | | | SAC, HEKTASE SOL | SHEET, LEFT | 1 |
| 005 | 387020203101 | | | SAC, HEKTASE SAG | SHEET, PARTS RIGHT | 1 |
| 006 | 300010825201 | | | CIVATA, AKB M8X1. 25X25, KALIN D. DIN933 | BOLT, HEX M8X1. 25X25, COARSE T. DIN933 | 12 |
| 008 | 301120008201 | | | RONDELA | WASHER | 12 |
| | | | | Carcass Asm , Rear | Carcass | 1105 |

Bölüm Sonu

ANADOLU ISUZU OTOMOTIV SAN. TIC. A.S.

ISUZU CITIPORT AT E6 Parts List

| Part Number | Description | Page | Poz.No |
|--------------|-------------------|-------------|--------|
| 0501.007.090 | DISC BRAKE | Page-04.17 | 010 |
| 0501.007.975 | DISC BRAKE | Page-04.25 | 011 |
| 0501.007.976 | DISC BRAKE | Page-04.25 | 011 |
| 0501.008.489 | CONVERTER | Page-03.203 | 101 |
| 0501.008.902 | CONVERTER | Page-04.9 | 010 |
| 0501.008.903 | CONVERTER | Page-04.9 | 010 |
| 0501.208.368 | CLAMP | Page-04.17 | 011 |
| 0501.208.368 | CLAMP | Page-04.17 | 024 |
| 0501.211.834 | BALL JOINT | Page-04.17 | 013 |
| 0501.211.835 | BALL JOINT | Page-04.17 | 014 |
| 0501.213.239 | ADJUSTING KIT | Page-04.25 | 011 |
| 0501.213.240 | ADJUSTING KIT | Page-04.25 | 011 |
| 0501.213.688 | ADJUSTING KIT | Page-04.9 | 012 |
| 0501.213.688 | ADJUSTING KIT | Page-04.11 | 016 |
| 0501.213.690 | ADJUSTING KIT | Page-04.9 | 013 |
| 0501.213.690 | ADJUSTING KIT | Page-04.11 | 019 |
| 0501.213.690 | ADJUSTING KIT | Page-04.27 | 014 |
| 0501.213.690 | ADJUSTING KIT | Page-04.29 | 019 |
| 0501.213.698 | ADJUSTING KIT | Page-04.29 | 017 |
| 0501.213.709 | ADJUSTING KIT | Page-04.29 | 015 |
| 0501.213.710 | ADJUSTING KIT | Page-04.29 | 015 |
| 0501.213.741 | ADJUSTING KIT | Page-04.11 | 017 |
| 0501.213.823 | ADJUSTING KIT | Page-04.15 | 020 |
| 0501.214.837 | GASKET | Page-03.165 | 300 |
| 0501.214.932 | GASKET | Page-03.99 | 230 |
| 0501.214.977 | GASKET | Page-04.17 | 020 |
| 0501.215.060 | BEARING UNIT | Page-04.27 | 013 |
| 0501.215.060 | BEARING UNIT | Page-04.29 | 018 |
| 0501.215.083 | BEARING UNIT | Page-04.9 | 014 |
| 0501.215.083 | BEARING UNIT | Page-04.11 | 018 |
| 0501.215.084 | BEARING UNIT | Page-04.29 | 051 |
| 0501.215.111 | SUCTION TUBE | Page-03.131 | 100 |
| 0501.215.173 | BEARING UNIT | Page-04.15 | 010 |
| 0501.215.214 | BEARING UNIT | Page-03.203 | 160 |
| 0501.215.215 | OUTER CLUTCH DISK | Page-03.203 | 170 |
| 0501.215.444 | BEARING UNIT | Page-04.33 | 090 |
| 0501.215.596 | BEARING UNIT | Page-04.7 | 016 |
| 0501.215.837 | BEARING UNIT | Page-03.129 | 100 |
| 0501.215.837 | BEARING UNIT | Page-03.175 | 960 |
| 0501.216.222 | PRESSURE FILTER | Page-03.19 | 200 |
| 0501.216.291 | PRESSURE FILTER | Page-03.203 | 020 |
| 0501.216.774 | PRESSURE FILTER | Page-03.203 | 010 |
| 0501.217.174 | OIL COOLER | Page-04.21 | 050 |
| 0501.217.460 | OIL COOLER | Page-03.131 | 150 |
| 0501.217.495 | OIL COOLER | Page-03.177 | 150 |
| 0501.217.916 | OIL COOLER | Page-03.7 | 350 |
| 0501.218.153 | BRAKE LINING | Page-04.15 | 011 |
| 0501.218.777 | BRAKE LINING | Page-03.203 | 140 |
| 0501.218.921 | BRAKE LINING | Page-04.11 | 015 |
| 0501.219.783 | HEAT EXCHANGER | Page-03.201 | 440 |

ISUZU CITIPORT AT E6 Parts List

| Part Number | Description | Page | Poz.No |
|--------------|-----------------|-------------|--------|
| 0501.220.400 | BRAKE CALIPER | Page-04.9 | 011 |
| 0501.220.401 | BRAKE CALIPER | Page-04.9 | 011 |
| 0501.220.525 | BRAKE CALIPER | Page-04.25 | 012 |
| 0501.220.525 | BRAKE CALIPER | Page-04.29 | 016 |
| 0501.221.588 | PULSE SENSOR | Page-03.185 | 980 |
| 0501.298.650 | REPAIR KIT | Page-04.15 | 021 |
| 0501.313.800 | MAGNET | Page-03.139 | 300 |
| 0501.314.773 | ANHAENGESCHILD | Page-03.167 | 198 |
| 0501.316.050 | BRAKE CYLINDER | Page-04.31 | 040 |
| 0501.316.950 | BRAKE CYLINDER | Page-04.7 | 140 |
| 0501.316.953 | BRAKE CYLINDER | Page-04.7 | 014 |
| 0501.316.953 | BRAKE CYLINDER | Page-04.23 | 080 |
| 0501.317.255 | BUSH | Page-04.7 | 130 |
| 0501.317.843 | BUSH | Page-04.33 | 050 |
| 0501.317.844 | BUSH | Page-04.33 | 060 |
| 0501.317.956 | BUSH | Page-03.203 | 480 |
| 0501.319.387 | ASSEMBLY GREASE | Page-04.17 | 012 |
| 0501.319.947 | ASSEMBLY GREASE | Page-04.11 | 020 |
| 0501.319.947 | ASSEMBLY GREASE | Page-04.29 | 052 |
| 0501.321.360 | ANGLE DISC | Page-04.39 | 720 |
| 0501.321.433 | ANGLE DISC | Page-03.39 | 300 |
| 0501.321.660 | ANGLE DISC | Page-03.165 | 360 |
| 0501.321.662 | ANGLE DISC | Page-03.99 | 210 |
| 0501.321.982 | ANGLE DISC | Page-03.37 | 900 |
| 0501.322.160 | BALL JOINT | Page-04.23 | 041 |
| 0501.322.596 | BALL JOINT | Page-04.17 | 021 |
| 0501.322.597 | BALL JOINT | Page-04.17 | 022 |
| 0501.322.598 | BALL JOINT | Page-04.17 | 023 |
| 0501.322.620 | BALL JOINT | Page-03.49 | 250 |
| 0501.322.620 | BALL JOINT | Page-03.165 | 200 |
| 0501.322.702 | BALL JOINT | Page-03.51 | 230 |
| 0501.322.722 | BALL JOINT | Page-03.155 | 240 |
| 0501.322.731 | BALL JOINT | Page-03.45 | 240 |
| 0501.322.740 | BALL JOINT | Page-03.77 | 151 |
| 0501.322.847 | BALL JOINT | Page-03.31 | 310 |
| 0501.322.847 | BALL JOINT | Page-03.33 | 902 |
| 0501.322.857 | BALL JOINT | Page-03.101 | 110 |
| 0501.322.858 | BALL JOINT | Page-03.101 | 120 |
| 0501.322.860 | BALL JOINT | Page-03.105 | 302 |
| 0501.322.864 | BALL JOINT | Page-03.105 | 202 |
| 0501.322.865 | BALL JOINT | Page-03.99 | 302 |
| 0501.322.901 | BALL JOINT | Page-03.183 | 902 |
| 0501.322.902 | BALL JOINT | Page-03.77 | 152 |
| 0501.322.904 | O-RING | Page-03.11 | 900 |
| 0501.322.905 | BALL JOINT | Page-03.9 | 960 |
| 0501.322.905 | BALL JOINT | Page-03.139 | 210 |
| 0501.322.907 | BALL JOINT | Page-03.77 | 153 |
| 0501.322.908 | BALL JOINT | Page-03.75 | 110 |
| 0501.322.910 | BALL JOINT | Page-03.101 | 130 |
| 0501.322.911 | O-RING | Page-03.7 | 210 |

ISUZU CITIPORT AT E6 Parts List

| Part Number | Description | Page | Poz.No |
|--------------|--------------------|-------------|--------|
| 0501.322.913 | BALL JOINT | Page-03.13 | 302 |
| 0501.322.913 | BALL JOINT | Page-03.15 | 900 |
| 0501.322.914 | BALL JOINT | Page-03.143 | 900 |
| 0501.322.914 | BALL JOINT | Page-03.145 | 102 |
| 0501.322.915 | BALL JOINT | Page-03.147 | 103 |
| 0501.322.915 | BALL JOINT | Page-03.185 | 970 |
| 0501.322.916 | BALL JOINT | Page-03.77 | 172 |
| 0501.322.935 | BALL JOINT | Page-03.13 | 102 |
| 0501.322.974 | BALL JOINT | Page-03.199 | 906 |
| 0501.322.975 | BALL JOINT | Page-03.137 | 104 |
| 0501.322.978 | BALL JOINT | Page-03.13 | 307 |
| 0501.322.978 | BALL JOINT | Page-03.69 | 302 |
| 0501.322.980 | BALL JOINT | Page-03.19 | 110 |
| 0501.322.980 | BALL JOINT | Page-03.21 | 310 |
| 0501.322.980 | BALL JOINT | Page-03.25 | 420 |
| 0501.322.980 | BALL JOINT | Page-03.177 | 102 |
| 0501.322.983 | O-RING | Page-03.147 | 201 |
| 0501.322.984 | BALL JOINT | Page-03.7 | 202 |
| 0501.323.191 | AIR SPRING BELLOWS | Page-03.173 | 900 |
| 0501.323.522 | AIR SPRING BELLOWS | Page-03.203 | 250 |
| 0501.323.531 | AIR SPRING BELLOWS | Page-03.203 | 230 |
| 0501.323.533 | AIR SPRING BELLOWS | Page-03.203 | 050 |
| 0501.323.534 | AIR SPRING BELLOWS | Page-03.203 | 350 |
| 0501.323.553 | AIR SPRING BELLOWS | Page-03.123 | 470 |
| 0501.323.605 | AIR SPRING BELLOWS | Page-04.7 | 018 |
| 0501.323.632 | AIR SPRING BELLOWS | Page-03.191 | 906 |
| 0501.323.648 | AIR SPRING BELLOWS | Page-04.7 | 164 |
| 0501.323.798 | AIR SPRING BELLOWS | Page-04.33 | 091 |
| 0501.323.799 | AIR SPRING BELLOWS | Page-04.33 | 092 |
| 0501.323.842 | AIR SPRING BELLOWS | Page-04.33 | 093 |
| 0501.323.843 | AIR SPRING BELLOWS | Page-04.33 | 094 |
| 0501.323.863 | AIR SPRING BELLOWS | Page-04.21 | 051 |
| 0501.323.865 | AIR SPRING BELLOWS | Page-04.21 | 053 |
| 0501.323.866 | AIR SPRING BELLOWS | Page-04.21 | 054 |
| 0501.324.075 | BRAKE CYLINDER | Page-04.13 | 025 |
| 0501.324.121 | BRAKE CYLINDER | Page-03.13 | 202 |
| 0501.324.122 | BRAKE CYLINDER | Page-03.99 | 202 |
| 0501.324.123 | BRAKE CYLINDER | Page-03.59 | 114 |
| 0501.324.123 | BRAKE CYLINDER | Page-03.163 | 133 |
| 0501.324.125 | BRAKE CYLINDER | Page-03.59 | 113 |
| 0501.324.126 | BRAKE CYLINDER | Page-03.59 | 112 |
| 0501.324.126 | BRAKE CYLINDER | Page-03.163 | 132 |
| 0501.324.244 | BRAKE CYLINDER | Page-03.67 | 850 |
| 0501.324.263 | BRAKE CYLINDER | Page-03.33 | 900 |
| 0501.324.422 | BRAKE CYLINDER | Page-03.203 | 150 |
| 0501.324.481 | BRAKE CYLINDER | Page-03.71 | 711 |
| 0501.324.737 | BRAKE CYLINDER | Page-03.203 | 180 |
| 0501.324.738 | BRAKE CYLINDER | Page-03.203 | 180 |
| 0501.324.766 | BRAKE CYLINDER | Page-03.135 | 900 |
| 0501.324.927 | BRAKE CYLINDER | Page-03.25 | 410 |

ISUZU CITIPORT AT E6 Parts List

| Part Number | Description | Page | Poz.No |
|--------------|-------------------------|-------------|--------|
| 0501.325.056 | AXIAL WASHER | Page-03.203 | 070 |
| 0501.325.181 | AXIAL WASHER | Page-03.203 | 040 |
| 0501.325.486 | AXIAL WASHER | Page-04.21 | 060 |
| 0501.325.507 | AXIAL WASHER | Page-03.203 | 174 |
| 0501.325.573 | AXIAL WASHER | Page-03.113 | 120 |
| 0501.325.586 | AXIAL WASHER | Page-03.77 | 102 |
| 0501.325.757 | AXIAL WASHER | Page-03.203 | 060 |
| 0501.325.759 | AXIAL WASHER | Page-03.203 | 130 |
| 0501.325.799 | AXIAL WASHER | Page-03.169 | 040 |
| 0501.325.800 | AXIAL WASHER | Page-03.169 | 030 |
| 0501.325.801 | AXIAL WASHER | Page-03.169 | 020 |
| 0501.325.886 | PRESSURE FILTER | Page-03.145 | 150 |
| 0501.326.210 | DIFFERENTIAL BEVEL GEAR | Page-03.203 | 490 |
| 0501.326.527 | DIFFERENTIAL BEVEL GEAR | Page-04.39 | 670 |
| 0501.326.758 | DIFFERENTIAL BEVEL GEAR | Page-03.197 | 906 |
| 0501.326.999 | DIFFERENTIAL BEVEL GEAR | Page-04.21 | 052 |
| 0501.327.469 | BREATHER | Page-04.33 | 080 |
| 0501.327.593 | BREATHER | Page-03.7 | 400 |
| 0501.328.271 | AXLE BEVEL GEAR | Page-03.175 | 982 |
| 0501.328.366 | AXLE BEVEL GEAR | Page-04.39 | 640 |
| 0501.328.488 | O-RING | Page-03.187 | 020 |
| 0501.328.488 | O-RING | Page-03.193 | 020 |
| 0501.328.491 | PROFILE SEALING RING | Page-03.31 | 200 |
| 0501.328.492 | PROFILE SEALING RING | Page-03.31 | 220 |
| 0501.328.717 | AXLE BEVEL GEAR | Page-03.203 | 080 |
| 0501.328.787 | AXLE BEVEL GEAR | Page-03.67 | 200 |
| 0501.331.279 | RETAINING RING | Page-03.13 | 304 |
| 0501.331.347 | O-RING | Page-03.189 | 980 |
| 0501.332.511 | SEALING RING | Page-03.203 | 200 |
| 0501.332.512 | SEALING RING | Page-03.203 | 190 |
| 0630.100.284 | WASHER | Page-03.157 | 060 |
| 0630.502.003 | RETAINING RING | Page-03.59 | 155 |
| 0630.502.063 | RETAINING RING | Page-04.7 | 080 |
| 0630.513.081 | SNAP RING | Page-03.203 | 500 |
| 0630.513.120 | SNAP RING | Page-03.7 | 205 |
| 0630.513.120 | SNAP RING | Page-03.69 | 305 |
| 0630.531.244 | GRIPPING RING | Page-03.139 | 310 |
| 0630.532.159 | RETAINING RING | Page-04.43 | 060 |
| 0631.306.050 | CYLINDRICAL PIN | Page-03.119 | 215 |
| 0631.306.060 | CYLINDRICAL PIN | Page-03.89 | 103 |
| 0631.306.064 | CYLINDRICAL PIN | Page-03.75 | 150 |
| 0631.328.676 | SLOTTED PIN | Page-04.39 | 730 |
| 0631.329.046 | SLOT. PIN | Page-03.41 | 240 |
| 0631.329.086 | SLOT. PIN | Page-03.67 | 162 |
| 0631.330.122 | SLOT. PIN | Page-03.67 | 160 |
| 0631.405.052 | PLUG | Page-03.59 | 102 |
| 0631.701.047 | COTTER PIN | Page-04.17 | 016 |
| 0631.701.135 | COTTER PIN | Page-04.17 | 026 |
| 0632.604.007 | LUBRICATING NIPPLE | Page-04.19 | 038 |
| 0632.604.007 | LUBRICATING NIPPLE | Page-04.19 | 048 |

ISUZU CITIPORT AT E6 Parts List

| Part Number | Description | Page | Poz.No |
|--------------|---------------------|-------------|--------|
| 0632.604.008 | LUBRICATING NIPPLE | Page-04.7 | 072 |
| 0632.604.008 | LUBRICATING NIPPLE | Page-04.15 | 060 |
| 0634.100.284 | O-RING | Page-04.41 | 070 |
| 0634.303.940 | O-RING | Page-04.7 | 113 |
| 0634.303.940 | O-RING | Page-04.23 | 110 |
| 0634.304.270 | O-RING | Page-04.7 | 073 |
| 0634.313.029 | O-RING | Page-04.23 | 042 |
| 0634.313.574 | O-RING | Page-04.43 | 150 |
| 0634.801.227 | SEALING RING | Page-03.207 | 350 |
| 0635.330.085 | BALL BEARING | Page-03.203 | 090 |
| 0635.330.086 | BALL BEARING | Page-03.203 | 260 |
| 0635.460.021 | BALL | Page-03.117 | 080 |
| 0636.011.777 | HEXAGON SCREW | Page-03.183 | 910 |
| 0636.016.114 | HEXAGON SCREW | Page-04.43 | 170 |
| 0636.020.153 | HEXAGON SCREW | Page-04.23 | 090 |
| 0636.020.229 | HEXAGON SCREW | Page-04.7 | 030 |
| 0636.020.253 | HEXAGON SCREW | Page-04.33 | 070 |
| 0636.021.009 | HEXAGON SCREW | Page-03.157 | 060 |
| 0636.021.023 | HEXAGON SCREW | Page-04.33 | 100 |
| 0636.021.250 | HEXAGON SCREW | Page-04.23 | 120 |
| 0636.021.257 | HEXAGON SCREW | Page-04.33 | 030 |
| 0636.023.123 | HEXAGON SCREW | Page-04.7 | 114 |
| 0636.100.228 | SCREW PLUG | Page-03.7 | 000 |
| 0636.100.439 | CAP SCREW | Page-03.135 | 990 |
| 0636.100.442 | CAP SCREW | Page-03.33 | 903 |
| 0636.100.442 | CAP SCREW | Page-03.135 | 910 |
| 0636.100.442 | CAP SCREW | Page-03.143 | 910 |
| 0636.100.442 | CAP SCREW | Page-03.175 | 990 |
| 0636.100.445 | CAP SCREW | Page-03.179 | 136 |
| 0636.100.448 | CAP SCREW | Page-03.181 | 210 |
| 0636.100.478 | CAP SCREW | Page-03.7 | 210 |
| 0636.100.602 | CAP SCREW | Page-03.203 | 310 |
| 0636.100.791 | CAP SCREW | Page-03.147 | 103 |
| 0636.100.793 | CAP SCREW | Page-03.9 | 960 |
| 0636.100.793 | CAP SCREW | Page-03.139 | 210 |
| 0636.100.825 | CAP SCREW | Page-03.185 | 970 |
| 0636.100.827 | CAP SCREW | Page-03.173 | 910 |
| 0636.100.828 | CAP SCREW | Page-03.197 | 920 |
| 0636.100.829 | CAP SCREW | Page-03.173 | 950 |
| 0636.100.833 | CAP SCREW | Page-03.135 | 980 |
| 0636.102.267 | CAP SCREW | Page-03.157 | 070 |
| 0636.102.274 | COMBINATION SCREW | Page-03.199 | 920 |
| 0636.102.629 | COMBINATION SCREW | Page-03.189 | 984 |
| 0636.102.643 | COMBINATION SCREW | Page-03.189 | 962 |
| 0636.302.607 | SCREW PLUG | Page-03.207 | 350 |
| 0636.611.231 | STUD | Page-04.41 | 120 |
| 0637.006.092 | HEXAGON NUT | Page-04.41 | 130 |
| 0637.006.276 | HEXAGON NUT | Page-03.203 | 312 |
| 0637.009.121 | HEXAGON NUT | Page-04.7 | 110 |
| 0637.010.025 | HEXAGON SLOTTED NUT | Page-04.17 | 025 |

ISUZU CITIPORT AT E6 Parts List

| Part Number | Description | Page | Poz.No |
|--------------|---------------------|-------------|--------|
| 0637.010.052 | HEXAGON SLOTTED NUT | Page-04.17 | 017 |
| 0637.100.492 | PROTECTION CAP | Page-04.41 | 260 |
| 0637.504.088 | SLOTTED NUT | Page-04.7 | 109 |
| 0730.005.592 | RING | Page-03.205 | 250 |
| 0730.005.593 | RING | Page-03.205 | 250 |
| 0730.005.594 | RING | Page-03.205 | 250 |
| 0730.005.595 | RING | Page-03.205 | 250 |
| 0730.005.596 | RING | Page-03.205 | 250 |
| 0730.005.597 | RING | Page-03.205 | 250 |
| 0730.005.598 | RING | Page-03.205 | 250 |
| 0730.005.599 | RING | Page-03.205 | 250 |
| 0730.005.600 | RING | Page-03.205 | 250 |
| 0730.005.601 | RING | Page-03.205 | 250 |
| 0730.007.916 | SHIM | Page-04.43 | 210 |
| 0730.007.917 | SHIM | Page-04.43 | 210 |
| 0730.007.918 | SHIM | Page-04.43 | 210 |
| 0730.007.919 | SHIM | Page-04.43 | 210 |
| 0730.007.920 | SHIM | Page-04.43 | 210 |
| 0730.007.921 | SHIM | Page-04.43 | 210 |
| 0730.007.922 | SHIM | Page-04.43 | 210 |
| 0730.007.923 | SHIM | Page-04.43 | 210 |
| 0730.007.924 | SHIM | Page-04.43 | 210 |
| 0730.007.925 | SHIM | Page-04.43 | 210 |
| 0730.007.926 | SHIM | Page-04.43 | 210 |
| 0730.007.927 | SHIM | Page-04.43 | 210 |
| 0730.007.928 | SHIM | Page-04.43 | 210 |
| 0730.007.929 | SHIM | Page-04.43 | 210 |
| 0730.007.930 | SHIM | Page-04.43 | 210 |
| 0730.007.931 | SHIM | Page-04.43 | 210 |
| 0730.007.932 | SHIM | Page-04.43 | 210 |
| 0730.007.933 | SHIM | Page-04.43 | 210 |
| 0730.007.952 | SHIM | Page-04.43 | 160 |
| 0730.007.953 | SHIM | Page-04.43 | 160 |
| 0730.007.954 | SHIM | Page-04.43 | 160 |
| 0730.007.955 | SHIM | Page-04.43 | 160 |
| 0730.007.956 | SHIM | Page-04.43 | 160 |
| 0730.007.957 | SHIM | Page-04.43 | 160 |
| 0730.007.958 | SHIM | Page-04.43 | 160 |
| 0730.007.959 | SHIM | Page-04.43 | 160 |
| 0730.007.960 | SHIM | Page-04.43 | 160 |
| 0730.007.961 | SHIM | Page-04.43 | 160 |
| 0730.007.962 | SHIM | Page-04.43 | 160 |
| 0730.007.963 | SHIM | Page-04.43 | 160 |
| 0730.007.964 | SHIM | Page-04.43 | 160 |
| 0730.007.965 | SHIM | Page-04.43 | 160 |
| 0730.007.966 | SHIM | Page-04.43 | 160 |
| 0730.007.967 | SHIM | Page-04.43 | 160 |
| 0730.007.968 | SHIM | Page-04.43 | 160 |
| 0730.007.969 | SHIM | Page-04.43 | 160 |
| 0730.007.970 | SHIM | Page-04.43 | 160 |

ISUZU CITIPORT AT E6 Parts List

| Part Number | Description | Page | Poz.No |
|--------------|-------------|------------|--------|
| 0730.007.971 | SHIM | Page-04.43 | 160 |
| 0730.007.972 | SHIM | Page-04.43 | 160 |
| 0730.007.973 | SHIM | Page-04.43 | 160 |
| 0730.007.974 | SHIM | Page-04.43 | 160 |
| 0730.007.975 | SHIM | Page-04.43 | 160 |
| 0730.007.976 | SHIM | Page-04.43 | 160 |
| 0730.007.977 | SHIM | Page-04.43 | 160 |
| 0730.007.978 | SHIM | Page-04.43 | 160 |
| 0730.007.979 | SHIM | Page-04.43 | 160 |
| 0730.007.980 | SHIM | Page-04.43 | 160 |
| 0730.007.981 | SHIM | Page-04.43 | 160 |
| 0730.007.982 | SHIM | Page-04.43 | 160 |
| 0730.007.983 | SHIM | Page-04.43 | 160 |
| 0730.007.984 | SHIM | Page-04.43 | 160 |
| 0730.007.985 | SHIM | Page-04.43 | 160 |
| 0730.007.986 | SHIM | Page-04.43 | 160 |
| 0730.007.987 | SHIM | Page-04.43 | 160 |
| 0730.007.988 | SHIM | Page-04.43 | 160 |
| 0730.100.365 | WASHER | Page-04.33 | 040 |
| 0730.103.245 | WASHER | Page-04.41 | 150 |
| 0730.104.962 | WASHER | Page-04.15 | 130 |
| 0730.105.918 | WASHER | Page-04.15 | 180 |
| 0730.105.919 | WASHER | Page-04.15 | 180 |
| 0730.105.920 | WASHER | Page-04.15 | 180 |
| 0730.105.921 | WASHER | Page-04.15 | 180 |
| 0730.105.922 | WASHER | Page-04.15 | 180 |
| 0730.105.923 | WASHER | Page-04.15 | 180 |
| 0730.105.924 | WASHER | Page-04.15 | 180 |
| 0730.105.925 | WASHER | Page-04.15 | 180 |
| 0730.105.926 | WASHER | Page-04.15 | 180 |
| 0730.105.927 | WASHER | Page-04.15 | 180 |
| 0730.105.928 | WASHER | Page-04.15 | 180 |
| 0730.107.826 | SHIM | Page-04.19 | 316 |
| 0730.107.826 | SHIM | Page-04.19 | 416 |
| 0730.107.827 | SHIM | Page-04.19 | 316 |
| 0730.107.827 | SHIM | Page-04.19 | 416 |
| 0730.107.828 | SHIM | Page-04.19 | 316 |
| 0730.107.828 | SHIM | Page-04.19 | 416 |
| 0730.107.829 | SHIM | Page-04.19 | 316 |
| 0730.107.829 | SHIM | Page-04.19 | 416 |
| 0730.107.830 | SHIM | Page-04.19 | 316 |
| 0730.107.830 | SHIM | Page-04.19 | 416 |
| 0730.107.831 | SHIM | Page-04.19 | 316 |
| 0730.107.831 | SHIM | Page-04.19 | 416 |
| 0730.107.832 | SHIM | Page-04.19 | 316 |
| 0730.107.832 | SHIM | Page-04.19 | 416 |
| 0730.107.833 | SHIM | Page-04.19 | 316 |
| 0730.107.833 | SHIM | Page-04.19 | 416 |
| 0730.107.834 | SHIM | Page-04.19 | 316 |
| 0730.107.834 | SHIM | Page-04.19 | 416 |

ISUZU CITIPORT AT E6 Parts List

| Part Number | Description | Page | Poz.No |
|--------------|-------------|------------|--------|
| 0730.107.835 | SHIM | Page-04.19 | 316 |
| 0730.107.835 | SHIM | Page-04.19 | 416 |
| 0730.107.836 | SHIM | Page-04.19 | 316 |
| 0730.107.836 | SHIM | Page-04.19 | 416 |
| 0730.107.837 | SHIM | Page-04.19 | 316 |
| 0730.107.837 | SHIM | Page-04.19 | 416 |
| 0730.107.934 | SHIM | Page-04.41 | 030 |
| 0730.107.935 | SHIM | Page-04.41 | 030 |
| 0730.107.936 | SHIM | Page-04.41 | 030 |
| 0730.107.937 | SHIM | Page-04.41 | 030 |
| 0730.107.938 | SHIM | Page-04.41 | 030 |
| 0730.107.939 | SHIM | Page-04.41 | 030 |
| 0730.107.940 | SHIM | Page-04.41 | 030 |
| 0730.107.941 | SHIM | Page-04.41 | 030 |
| 0730.107.942 | SHIM | Page-04.41 | 030 |
| 0730.107.943 | SHIM | Page-04.41 | 030 |
| 0730.107.944 | SHIM | Page-04.41 | 030 |
| 0730.107.945 | SHIM | Page-04.41 | 030 |
| 0730.107.946 | SHIM | Page-04.41 | 030 |
| 0730.107.947 | SHIM | Page-04.41 | 030 |
| 0730.107.948 | SHIM | Page-04.41 | 030 |
| 0730.107.949 | SHIM | Page-04.41 | 030 |
| 0730.107.950 | SHIM | Page-04.41 | 030 |
| 0730.107.951 | SHIM | Page-04.41 | 030 |
| 0730.107.952 | SHIM | Page-04.41 | 030 |
| 0730.107.953 | SHIM | Page-04.41 | 030 |
| 0730.107.954 | SHIM | Page-04.41 | 030 |
| 0730.107.955 | SHIM | Page-04.41 | 030 |
| 0730.107.956 | SHIM | Page-04.41 | 030 |
| 0730.107.957 | SHIM | Page-04.41 | 030 |
| 0730.107.958 | SHIM | Page-04.41 | 030 |
| 0730.107.959 | SHIM | Page-04.41 | 030 |
| 0730.107.960 | SHIM | Page-04.41 | 030 |
| 0730.107.961 | SHIM | Page-04.41 | 030 |
| 0730.107.962 | SHIM | Page-04.41 | 030 |
| 0730.107.963 | SHIM | Page-04.41 | 030 |
| 0730.107.964 | SHIM | Page-04.41 | 030 |
| 0730.107.965 | SHIM | Page-04.41 | 030 |
| 0730.107.966 | SHIM | Page-04.41 | 030 |
| 0730.107.967 | SHIM | Page-04.41 | 030 |
| 0730.107.968 | SHIM | Page-04.41 | 030 |
| 0730.107.969 | SHIM | Page-04.41 | 030 |
| 0730.107.970 | SHIM | Page-04.41 | 030 |
| 0730.109.498 | SHIM | Page-04.15 | 180 |
| 0730.109.572 | SHIM | Page-04.19 | 316 |
| 0730.109.572 | SHIM | Page-04.19 | 416 |
| 0730.109.573 | SHIM | Page-04.19 | 316 |
| 0730.109.573 | SHIM | Page-04.19 | 416 |
| 0730.109.574 | SHIM | Page-04.19 | 316 |
| 0730.109.574 | SHIM | Page-04.19 | 416 |

ISUZU CITIPORT AT E6 Parts List

| Part Number | Description | Page | Poz.No |
|--------------|-------------|------------|--------|
| 0730.109.575 | SHIM | Page-04.19 | 316 |
| 0730.109.575 | SHIM | Page-04.19 | 416 |
| 0730.109.576 | SHIM | Page-04.19 | 316 |
| 0730.109.576 | SHIM | Page-04.19 | 416 |
| 0730.109.577 | SHIM | Page-04.19 | 316 |
| 0730.109.577 | SHIM | Page-04.19 | 416 |
| 0730.109.578 | SHIM | Page-04.19 | 316 |
| 0730.109.578 | SHIM | Page-04.19 | 416 |
| 0730.109.579 | SHIM | Page-04.19 | 316 |
| 0730.109.579 | SHIM | Page-04.19 | 416 |
| 0730.109.580 | SHIM | Page-04.19 | 316 |
| 0730.109.580 | SHIM | Page-04.19 | 416 |
| 0730.110.446 | SHIM | Page-04.41 | 200 |
| 0730.110.447 | SHIM | Page-04.41 | 200 |
| 0730.110.448 | SHIM | Page-04.41 | 200 |
| 0730.110.449 | SHIM | Page-04.41 | 200 |
| 0730.110.450 | SHIM | Page-04.41 | 200 |
| 0730.110.451 | SHIM | Page-04.41 | 200 |
| 0730.110.452 | SHIM | Page-04.41 | 200 |
| 0730.110.453 | SHIM | Page-04.41 | 200 |
| 0730.110.454 | SHIM | Page-04.41 | 200 |
| 0730.110.455 | SHIM | Page-04.41 | 200 |
| 0730.110.456 | SHIM | Page-04.41 | 200 |
| 0730.110.457 | SHIM | Page-04.41 | 200 |
| 0730.110.458 | SHIM | Page-04.41 | 200 |
| 0730.110.459 | SHIM | Page-04.41 | 200 |
| 0730.110.460 | SHIM | Page-04.41 | 200 |
| 0730.110.461 | SHIM | Page-04.41 | 200 |
| 0730.110.462 | SHIM | Page-04.41 | 200 |
| 0730.110.463 | SHIM | Page-04.41 | 200 |
| 0730.110.464 | SHIM | Page-04.41 | 200 |
| 0730.110.465 | SHIM | Page-04.41 | 200 |
| 0730.110.466 | SHIM | Page-04.41 | 200 |
| 0730.110.467 | SHIM | Page-04.41 | 200 |
| 0730.110.468 | SHIM | Page-04.41 | 200 |
| 0730.110.469 | SHIM | Page-04.41 | 200 |
| 0730.110.470 | SHIM | Page-04.41 | 200 |
| 0730.110.471 | SHIM | Page-04.41 | 200 |
| 0730.110.472 | SHIM | Page-04.41 | 200 |
| 0730.110.473 | SHIM | Page-04.41 | 200 |
| 0730.110.474 | SHIM | Page-04.41 | 200 |
| 0730.110.475 | SHIM | Page-04.41 | 200 |
| 0730.110.476 | SHIM | Page-04.41 | 200 |
| 0730.110.477 | SHIM | Page-04.41 | 200 |
| 0730.110.478 | SHIM | Page-04.41 | 200 |
| 0730.110.479 | SHIM | Page-04.41 | 200 |
| 0730.110.527 | SHIM | Page-04.19 | 316 |
| 0730.110.527 | SHIM | Page-04.19 | 416 |
| 0730.110.528 | SHIM | Page-04.19 | 316 |
| 0730.110.528 | SHIM | Page-04.19 | 416 |

ISUZU CITIPORT AT E6 Parts List

| Part Number | Description | Page | Poz.No |
|--------------|------------------|-------------|--------|
| 0730.110.529 | SHIM | Page-04.19 | 316 |
| 0730.110.529 | SHIM | Page-04.19 | 416 |
| 0730.111.639 | SHIM | Page-04.15 | 180 |
| 0730.111.640 | SHIM | Page-04.15 | 180 |
| 0730.111.641 | SHIM | Page-04.15 | 180 |
| 0730.111.642 | SHIM | Page-04.15 | 180 |
| 0730.111.643 | SHIM | Page-04.15 | 180 |
| 0730.111.644 | SHIM | Page-04.15 | 180 |
| 0730.111.645 | SHIM | Page-04.19 | 316 |
| 0730.111.645 | SHIM | Page-04.19 | 416 |
| 0730.113.058 | AXIAL WASHER | Page-03.165 | 500 |
| 0730.113.059 | AXIAL WASHER | Page-03.165 | 500 |
| 0730.113.060 | AXIAL WASHER | Page-03.165 | 500 |
| 0730.113.061 | AXIAL WASHER | Page-03.165 | 500 |
| 0730.113.062 | AXIAL WASHER | Page-03.165 | 500 |
| 0730.113.063 | AXIAL WASHER | Page-03.165 | 500 |
| 0730.113.064 | AXIAL WASHER | Page-03.165 | 500 |
| 0730.113.065 | AXIAL WASHER | Page-03.165 | 500 |
| 0730.113.066 | AXIAL WASHER | Page-03.165 | 500 |
| 0730.113.067 | AXIAL WASHER | Page-03.165 | 500 |
| 0730.113.068 | AXIAL WASHER | Page-03.165 | 500 |
| 0730.113.069 | AXIAL WASHER | Page-03.165 | 500 |
| 0730.113.070 | ADJUSTMENT PLATE | Page-03.165 | 500 |
| 0730.113.071 | ADJUSTMENT PLATE | Page-03.165 | 500 |
| 0730.113.072 | ADJUSTMENT PLATE | Page-03.165 | 500 |
| 0730.113.270 | ADJUSTMENT PLATE | Page-03.165 | 500 |
| 0730.113.271 | ADJUSTMENT PLATE | Page-03.165 | 500 |
| 0730.113.272 | ADJUSTMENT PLATE | Page-03.165 | 500 |
| 0730.113.402 | AXIAL WASHER | Page-03.13 | 203 |
| 0730.113.403 | AXIAL WASHER | Page-03.13 | 204 |
| 0730.113.418 | AXIAL WASHER | Page-03.149 | 260 |
| 0730.113.419 | AXIAL WASHER | Page-03.149 | 260 |
| 0730.113.420 | AXIAL WASHER | Page-03.149 | 260 |
| 0730.113.421 | AXIAL WASHER | Page-03.149 | 260 |
| 0730.113.422 | AXIAL WASHER | Page-03.149 | 260 |
| 0730.113.423 | AXIAL WASHER | Page-03.149 | 260 |
| 0730.113.424 | AXIAL WASHER | Page-03.149 | 260 |
| 0730.113.425 | AXIAL WASHER | Page-03.149 | 260 |
| 0730.113.426 | AXIAL WASHER | Page-03.149 | 260 |
| 0730.113.427 | AXIAL WASHER | Page-03.149 | 260 |
| 0730.113.428 | AXIAL WASHER | Page-03.149 | 260 |
| 0730.113.429 | AXIAL WASHER | Page-03.149 | 260 |
| 0730.113.430 | AXIAL WASHER | Page-03.149 | 260 |
| 0730.113.431 | AXIAL WASHER | Page-03.149 | 260 |
| 0730.113.432 | AXIAL WASHER | Page-03.149 | 260 |
| 0730.113.433 | AXIAL WASHER | Page-03.149 | 260 |
| 0730.113.434 | AXIAL WASHER | Page-03.149 | 260 |
| 0730.113.435 | AXIAL WASHER | Page-03.149 | 260 |
| 0730.113.436 | AXIAL WASHER | Page-03.149 | 260 |
| 0730.113.839 | AXIAL WASHER | Page-03.67 | 700 |

ISUZU CITIPORT AT E6 Parts List

| Part Number | Description | Page | Poz.No |
|--------------|---------------|-------------|--------|
| 0730.161.112 | RING | Page-04.41 | 220 |
| 0730.161.113 | RING | Page-04.41 | 220 |
| 0730.161.114 | RING | Page-04.41 | 220 |
| 0730.161.115 | RING | Page-04.41 | 220 |
| 0730.161.116 | RING | Page-04.41 | 220 |
| 0730.161.117 | RING | Page-04.41 | 220 |
| 0730.161.118 | RING | Page-04.41 | 220 |
| 0730.161.119 | RING | Page-04.41 | 220 |
| 0730.161.120 | RING | Page-04.41 | 220 |
| 0730.161.121 | RING | Page-04.41 | 220 |
| 0730.161.122 | RING | Page-04.41 | 220 |
| 0730.161.123 | RING | Page-04.41 | 220 |
| 0730.161.124 | RING | Page-04.41 | 220 |
| 0730.161.125 | RING | Page-04.41 | 220 |
| 0730.161.126 | RING | Page-04.41 | 220 |
| 0730.161.127 | RING | Page-04.41 | 220 |
| 0730.161.128 | RING | Page-04.41 | 220 |
| 0730.300.382 | THRUST WASHER | Page-04.15 | 180 |
| 0730.300.383 | THRUST WASHER | Page-04.15 | 180 |
| 0730.300.384 | THRUST WASHER | Page-04.15 | 180 |
| 0730.300.385 | THRUST WASHER | Page-04.15 | 180 |
| 0730.300.386 | THRUST WASHER | Page-04.15 | 180 |
| 0730.300.387 | THRUST WASHER | Page-04.15 | 180 |
| 0730.300.388 | THRUST WASHER | Page-04.15 | 180 |
| 0730.300.820 | THRUST WASHER | Page-04.39 | 650 |
| 0730.300.887 | THRUST WASHER | Page-03.165 | 500 |
| 0730.300.888 | THRUST WASHER | Page-03.165 | 500 |
| 0730.300.889 | THRUST WASHER | Page-03.165 | 500 |
| 0730.300.924 | THRUST WASHER | Page-04.39 | 680 |
| 0730.301.063 | RING | Page-03.203 | 314 |
| 0730.301.518 | RING | Page-04.41 | 220 |
| 0730.301.519 | RING | Page-04.41 | 220 |
| 0730.301.520 | RING | Page-04.41 | 220 |
| 0730.301.521 | RING | Page-04.41 | 220 |
| 0730.301.522 | RING | Page-04.41 | 220 |
| 0730.301.523 | RING | Page-04.41 | 220 |
| 0730.301.524 | RING | Page-04.41 | 220 |
| 0730.301.525 | RING | Page-04.41 | 220 |
| 0730.301.526 | RING | Page-04.41 | 220 |
| 0730.301.527 | RING | Page-04.41 | 220 |
| 0730.301.528 | RING | Page-04.41 | 220 |
| 0730.301.529 | RING | Page-04.41 | 220 |
| 0730.301.530 | RING | Page-04.41 | 220 |
| 0730.301.531 | RING | Page-04.41 | 220 |
| 0730.301.797 | RING | Page-04.41 | 060 |
| 0730.301.798 | RING | Page-04.41 | 060 |
| 0730.301.799 | RING | Page-04.41 | 060 |
| 0730.301.800 | RING | Page-04.41 | 060 |
| 0730.301.801 | RING | Page-04.41 | 060 |
| 0730.301.802 | RING | Page-04.41 | 060 |

ISUZU CITIPORT AT E6 Parts List

| Part Number | Description | Page | Poz.No |
|--------------|--------------------|-------------|--------|
| 0730.301.803 | RING | Page-04.41 | 060 |
| 0730.301.804 | RING | Page-04.41 | 060 |
| 0730.301.805 | RING | Page-04.41 | 060 |
| 0730.301.806 | RING | Page-04.41 | 060 |
| 0730.301.807 | RING | Page-04.41 | 060 |
| 0730.301.808 | RING | Page-04.41 | 060 |
| 0730.301.809 | RING | Page-04.41 | 060 |
| 0730.301.810 | RING | Page-04.41 | 060 |
| 0730.301.811 | RING | Page-04.41 | 060 |
| 0730.301.812 | RING | Page-04.41 | 060 |
| 0730.301.813 | RING | Page-04.41 | 060 |
| 0730.301.814 | RING | Page-04.41 | 060 |
| 0730.301.815 | RING | Page-04.41 | 060 |
| 0730.301.816 | RING | Page-04.41 | 060 |
| 0730.301.817 | RING | Page-04.41 | 060 |
| 0730.301.818 | RING | Page-04.41 | 060 |
| 0730.301.819 | RING | Page-04.41 | 060 |
| 0730.301.820 | RING | Page-04.41 | 060 |
| 0730.301.821 | RING | Page-04.41 | 060 |
| 0730.301.822 | RING | Page-04.41 | 060 |
| 0730.365.092 | TYPE PLATE | Page-04.41 | 160 |
| 0730.365.127 | TYPE PLATE | Page-04.15 | 190 |
| 0730.365.241 | TYPE PLATE | Page-03.161 | 010 |
| 0730.501.734 | RETAINING RING | Page-03.39 | 150 |
| 0730.501.734 | RETAINING RING | Page-03.43 | 210 |
| 0730.505.173 | SNAP RING | Page-03.77 | 200 |
| 0730.513.975 | SNAP RING | Page-03.99 | 420 |
| 0730.513.992 | SNAP RING | Page-03.97 | 490 |
| 0730.514.001 | CIRCLIP | Page-03.97 | 350 |
| 0730.514.788 | CIRCLIP | Page-03.105 | 400 |
| 0731.590.166 | THREADED BUSH | Page-03.147 | 102 |
| 0732.041.979 | COMPRESSION SPRING | Page-03.123 | 750 |
| 0732.042.100 | COMPRESSION SPRING | Page-03.119 | 213 |
| 0732.042.100 | COMPRESSION SPRING | Page-03.123 | 450 |
| 0732.042.905 | COMPRESSION SPRING | Page-03.83 | 310 |
| 0732.042.935 | COMPRESSION SPRING | Page-03.7 | 203 |
| 0732.042.939 | COMPRESSION SPRING | Page-03.83 | 110 |
| 0732.042.940 | COMPRESSION SPRING | Page-03.59 | 153 |
| 0732.042.943 | COMPRESSION SPRING | Page-03.83 | 210 |
| 0732.042.962 | COMPRESSION SPRING | Page-03.105 | 210 |
| 0732.042.968 | COMPRESSION SPRING | Page-03.13 | 130 |
| 0732.042.969 | COMPRESSION SPRING | Page-03.13 | 150 |
| 0732.042.973 | COMPRESSION SPRING | Page-03.83 | 510 |
| 0732.042.980 | COMPRESSION SPRING | Page-03.69 | 303 |
| 0732.042.981 | COMPRESSION SPRING | Page-03.137 | 102 |
| 0732.042.999 | COMPRESSION SPRING | Page-03.83 | 410 |
| 0734.300.171 | SEALING RING | Page-04.7 | 050 |
| 0734.300.257 | SEALING RING | Page-04.23 | 030 |
| 0734.300.258 | SEALING RING | Page-04.23 | 060 |
| 0734.317.276 | SCRAPER | Page-04.15 | 120 |

ISUZU CITIPOINT AT E6 Parts List

| Part Number | Description | Page | Poz.No |
|--------------|------------------------|-------------|--------|
| 0734.317.276 | SCRAPER | Page-04.19 | 318 |
| 0734.317.276 | SCRAPER | Page-04.19 | 418 |
| 0734.319.589 | CASSETTE RING | Page-04.35 | 080 |
| 0734.319.791 | CASSETTE RING | Page-03.113 | 110 |
| 0734.319.792 | CASSETTE RING | Page-03.171 | 300 |
| 0734.319.809 | CASSETTE RING | Page-04.7 | 162 |
| 0734.319.810 | CASSETTE RING | Page-04.7 | 163 |
| 0735.295.234 | SLEEVE | Page-03.43 | 330 |
| 0735.298.302 | NEEDLE SLEEVE | Page-03.155 | 110 |
| 0735.298.306 | NEEDLE SLEEVE | Page-03.101 | 210 |
| 0735.298.307 | NEEDLE SLEEVE | Page-03.101 | 200 |
| 0735.298.323 | NEEDLE SLEEVE | Page-03.39 | 250 |
| 0735.300.686 | AXIAL NEEDLE BEARING | Page-03.71 | 712 |
| 0735.300.819 | AXIAL NEEDLE BEARING | Page-04.15 | 100 |
| 0735.300.973 | AXIAL NEEDLE BEARING | Page-04.7 | 040 |
| 0735.301.286 | AXIAL NEEDLE BEARING | Page-04.15 | 175 |
| 0735.301.305 | AXIAL NEEDLE BEARING | Page-03.203 | 280 |
| 0735.321.565 | NEEDLE CAGE | Page-03.41 | 220 |
| 0735.321.567 | NEEDLE CAGE | Page-03.45 | 220 |
| 0735.321.609 | NEEDLE CAGE | Page-03.155 | 220 |
| 0735.368.151 | AXIAL NEEDLE BEARING | Page-03.43 | 320 |
| 0735.368.151 | AXIAL NEEDLE BEARING | Page-03.97 | 400 |
| 0735.368.151 | AXIAL NEEDLE BEARING | Page-03.111 | 110 |
| 0735.368.152 | AXIAL NEEDLE BEARING | Page-03.111 | 120 |
| 0735.368.277 | AXIAL NEEDLE BEARING | Page-03.155 | 130 |
| 0735.368.278 | AXIAL NEEDLE BEARING | Page-03.43 | 310 |
| 0735.371.642 | TA.ROLLER BEARING | Page-03.149 | 200 |
| 0735.371.966 | TA.ROLLER BEARING | Page-04.23 | 040 |
| 0735.372.234 | TAPERED ROLLER BEARING | Page-04.7 | 161 |
| 0735.470.101 | ROLLER | Page-03.203 | 120 |
| 0736.010.274 | STOP SCREW | Page-04.7 | 120 |
| 0736.101.458 | CAP SCREW | Page-03.205 | 200 |
| 0736.300.171 | CAP SCREW | Page-03.191 | 910 |
| 0736.300.194 | CAP SCREW | Page-03.153 | 103 |
| 0736.300.195 | CAP SCREW | Page-03.123 | 474 |
| 0736.300.195 | CAP SCREW | Page-03.127 | 910 |
| 0736.300.195 | CAP SCREW | Page-03.129 | 150 |
| 0736.300.195 | CAP SCREW | Page-03.175 | 962 |
| 0736.300.196 | CAP SCREW | Page-03.125 | 910 |
| 0736.300.197 | CAP SCREW | Page-03.63 | 910 |
| 0736.300.197 | CAP SCREW | Page-03.79 | 910 |
| 0736.300.197 | CAP SCREW | Page-03.133 | 910 |
| 0736.300.200 | CAP SCREW | Page-03.15 | 910 |
| 0736.300.200 | CAP SCREW | Page-03.25 | 910 |
| 0736.300.200 | CAP SCREW | Page-03.61 | 910 |
| 0736.300.200 | CAP SCREW | Page-03.65 | 930 |
| 0736.300.200 | CAP SCREW | Page-03.115 | 910 |
| 0736.300.200 | CAP SCREW | Page-03.121 | 910 |
| 0736.300.201 | CAP SCREW | Page-03.29 | 910 |
| 0736.300.201 | CAP SCREW | Page-03.65 | 920 |

ISUZU CITIPORT AT E6 Parts List

| Part Number | Description | Page | Poz.No |
|--------------|----------------------|-------------|--------|
| 0736.300.201 | CAP SCREW | Page-03.91 | 910 |
| 0736.300.201 | CAP SCREW | Page-03.95 | 910 |
| 0736.300.202 | CAP SCREW | Page-03.81 | 920 |
| 0736.300.202 | CAP SCREW | Page-03.85 | 900 |
| 0736.300.203 | CAP SCREW | Page-03.65 | 910 |
| 0736.300.212 | CAP SCREW | Page-03.19 | 260 |
| 0736.300.212 | CAP SCREW | Page-03.93 | 910 |
| 0736.300.212 | CAP SCREW | Page-03.103 | 910 |
| 0736.300.212 | CAP SCREW | Page-03.151 | 910 |
| 0736.300.214 | CAP SCREW | Page-03.17 | 930 |
| 0736.300.215 | CAP SCREW | Page-03.87 | 950 |
| 0736.300.215 | CAP SCREW | Page-03.95 | 950 |
| 0736.300.533 | CAP SCREW | Page-03.23 | 101 |
| 0736.300.545 | CAP SCREW | Page-04.13 | 040 |
| 0736.300.546 | CAP SCREW | Page-04.31 | 030 |
| 0736.300.550 | CAP SCREW | Page-04.13 | 050 |
| 0736.300.551 | CAP SCREW | Page-04.31 | 020 |
| 0736.300.568 | CAP SCREW | Page-03.37 | 910 |
| 0737.006.074 | HEXAGON NUT | Page-04.15 | 140 |
| 0737.006.074 | HEXAGON NUT | Page-04.19 | 320 |
| 0737.006.074 | HEXAGON NUT | Page-04.19 | 420 |
| 0737.300.072 | HEXAGON NUT | Page-04.35 | 104 |
| 0737.300.087 | HEXAGON NUT | Page-04.13 | 030 |
| 0737.300.087 | HEXAGON NUT | Page-04.31 | 050 |
| 0750.101.164 | SHAFT WASHER | Page-04.43 | 090 |
| 0750.101.174 | SHAFT WASHER | Page-04.43 | 040 |
| 0750.101.175 | SHAFT WASHER | Page-04.43 | 030 |
| 0750.106.080 | CUP SPRING | Page-04.43 | 020 |
| 0750.106.083 | CUP SPRING | Page-04.43 | 100 |
| 0750.108.012 | LOCKING SCREW | Page-04.39 | 824 |
| 0750.108.079 | LOCKING SCREW | Page-04.7 | 015 |
| 0750.108.080 | LOCKING SCREW | Page-04.41 | 100 |
| 0750.108.083 | LOCKING SCREW | Page-04.41 | 080 |
| 0750.115.555 | AXIAL ROLLER RING | Page-04.43 | 080 |
| 0750.115.559 | AXIAL ROLLER RING | Page-04.43 | 035 |
| 0750.115.560 | NEEDLE SLEEVE | Page-03.89 | 102 |
| 0750.115.560 | NEEDLE SLEEVE | Page-03.89 | 302 |
| 0750.115.996 | NEEDLE SLEEVE | Page-03.43 | 300 |
| 0750.117.141 | TAPER ROLLER BEARING | Page-04.43 | 200 |
| 0750.117.618 | TAPER ROLLER BEARING | Page-04.19 | 314 |
| 0750.117.618 | TAPER ROLLER BEARING | Page-04.19 | 416 |
| 0750.117.785 | TAPER ROLLER BEARING | Page-04.43 | 120 |
| 0750.117.860 | TAPER ROLLER BEARING | Page-04.41 | 210 |
| 0750.117.875 | TAPER ROLLER BEARING | Page-04.41 | 230 |
| 0750.117.891 | TAPER ROLLER BEARING | Page-04.41 | 020 |
| 0750.117.892 | TAPER ROLLER BEARING | Page-04.41 | 040 |
| 0750.150.857 | VENTSOCKET | Page-04.41 | 250 |
| 0750.190.053 | PNEUMATIC SPRING | Page-04.33 | 090 |
| 1068.227.022 | VALVE | Page-03.117 | 050 |
| 4139.201.419 | VALVE | Page-03.9 | 950 |

ISUZU CITIPORT AT E6 Parts List

| Part Number | Description | Page | Poz.No |
|--------------|----------------------|-------------|--------|
| 4139.330.409 | DIAPHRAGM | Page-03.157 | 050 |
| 4181.102.057 | TRANSMISSION HOUSING | Page-03.161 | 000 |
| 4181.102.805 | CLOSING COMPONENTS | Page-03.7 | 000 |
| 4181.102.850 | CLOSING COMPONENTS | Page-03.7 | 000 |
| 4181.103.009 | BRAKE F | Page-03.165 | 000 |
| 4181.103.801 | BRAKE F | Page-03.165 | 000 |
| 4181.107.050 | ACCUMULATOR | Page-03.7 | 000 |
| 4181.107.803 | COVER | Page-03.13 | 000 |
| 4181.107.850 | ACCUMULATOR | Page-03.7 | 000 |
| 4181.108.007 | OIL TUBE | Page-03.7 | 000 |
| 4181.108.051 | OIL TUBE | Page-03.7 | 000 |
| 4181.108.054 | MANIFOLD | Page-03.7 | 000 |
| 4181.108.803 | OIL TUBE | Page-03.7 | 000 |
| 4181.108.850 | MANIFOLD | Page-03.7 | 000 |
| 4181.108.854 | OIL TUBE | Page-03.7 | 000 |
| 4181.112.050 | OUTPUT COVER | Page-03.171 | 000 |
| 4181.113.005 | BEARING UNIT | Page-03.171 | 000 |
| 4181.113.801 | BEARING UNIT | Page-03.171 | 000 |
| 4181.117.020 | PLANETARY GEAR | Page-03.171 | 000 |
| 4181.122.007 | PLANETARY DRIVE | Page-03.165 | 300 |
| 4181.123.009 | PLANETARY DRIVE | Page-03.165 | 200 |
| 4181.124.007 | INPUT SHAFT | Page-03.161 | 000 |
| 4181.125.011 | PLANET CARRIER | Page-03.39 | 000 |
| 4181.125.015 | PLANET CARRIER | Page-03.43 | 000 |
| 4181.126.052 | BRAKE | Page-03.165 | 200 |
| 4181.127.052 | DISC CARRIER | Page-03.49 | 000 |
| 4181.128.010 | MULTIDISK PACKAGE | Page-03.35 | 000 |
| 4181.128.011 | MULTIDISK PACKAGE | Page-03.51 | 000 |
| 4181.128.011 | MULTIDISK PACKAGE | Page-03.99 | 000 |
| 4181.129.052 | PISTON SUPPORT | Page-03.49 | 000 |
| 4181.129.801 | CHANGE OVER VALVE | Page-03.59 | 000 |
| 4181.129.802 | PISTON SUPPORT | Page-03.49 | 000 |
| 4181.140.801 | OIL SUPPLY | Page-03.161 | 000 |
| 4181.141.053 | OIL SUPPLY | Page-03.161 | 000 |
| 4181.142.050 | OIL FEED FLANGE | Page-03.67 | 000 |
| 4181.143.010 | STATOR SHAFT | Page-03.67 | 000 |
| 4181.144.802 | STATOR RING | Page-03.67 | 000 |
| 4181.144.803 | SEALING WASHER | Page-03.67 | 000 |
| 4181.146.005 | VALVE HOUSING | Page-03.67 | 000 |
| 4181.146.802 | VALVE HOUSING | Page-03.67 | 000 |
| 4181.147.007 | PRIMARY PUMP | Page-03.67 | 000 |
| 4181.147.802 | PUMP | Page-03.67 | 000 |
| 4181.147.803 | PUMPCOVER | Page-03.89 | 000 |
| 4181.148.801 | SUPPORTING PLATE | Page-03.67 | 000 |
| 4181.150.052 | CLUTCH UNIT A+B | Page-03.165 | 200 |
| 4181.151.052 | COUPLING B | Page-03.97 | 000 |
| 4181.152.007 | HUB | Page-03.99 | 000 |
| 4181.152.804 | OIL DAM | Page-03.99 | 000 |
| 4181.154.030 | COUPLING A | Page-03.97 | 000 |
| 4181.155.010 | MULTIDISK PACKAGE | Page-03.105 | 100 |

ISUZU CITIPORT AT E6 Parts List

| Part Number | Description | Page | Poz.No |
|--------------|-------------------|-------------|--------|
| 4181.157.002 | INPUT SHAFT | Page-03.97 | 000 |
| 4181.158.006 | QUILL SHAFT | Page-03.97 | 000 |
| 4181.160.050 | COVER PLATE | Page-03.161 | 000 |
| 4181.160.801 | COVER PLATE | Page-03.161 | 000 |
| 4181.170.016 | SHIFT CONTROL | Page-03.161 | 000 |
| 4181.170.803 | VALVE BLOCK | Page-03.117 | 000 |
| 4181.170.804 | SHIFT CONTROL | Page-03.161 | 000 |
| 4181.170.850 | WIRING HARNESS | Page-03.161 | 000 |
| 4181.174.004 | POSITION SENSOR | Page-03.161 | 000 |
| 4181.175.003 | SUCTION FILTER | Page-03.161 | 000 |
| 4181.175.801 | SUCTION FILTER | Page-03.161 | 000 |
| 4181.176.850 | OIL PAN | Page-03.161 | 000 |
| 4181.177.050 | OIL PAN | Page-03.161 | 000 |
| 4181.178.803 | FILTER COVER | Page-03.161 | 000 |
| 4181.179.003 | PRESSURE FILTER | Page-03.161 | 000 |
| 4181.184.050 | OIL TUBE | Page-03.7 | 000 |
| 4181.184.801 | HEAT EXCHANGER | Page-03.7 | 000 |
| 4181.184.822 | COVER | Page-03.7 | 000 |
| 4181.184.851 | HEAT EXCHANGER | Page-03.7 | 000 |
| 4181.201.051 | PISTON | Page-03.163 | 130 |
| 4181.202.049 | SCREW PLUG | Page-03.7 | 100 |
| 4181.202.055 | SCREW PLUG | Page-03.11 | 900 |
| 4181.205.007 | BY-PASS VALVE | Page-03.7 | 200 |
| 4181.207.007 | COVER | Page-03.13 | 200 |
| 4181.207.008 | COVER | Page-03.13 | 300 |
| 4181.207.017 | COVER | Page-03.13 | 100 |
| 4181.212.006 | OUTPUTCOVER | Page-03.147 | 200 |
| 4181.212.012 | OUTPUTCOVER | Page-03.147 | 100 |
| 4181.217.014 | PLANET CARRIER | Page-03.153 | 100 |
| 4181.227.004 | DISC CARRIER | Page-03.53 | 100 |
| 4181.229.016 | CHANGE OVER VALVE | Page-03.59 | 150 |
| 4181.229.050 | CHANGE OVER VALVE | Page-03.59 | 100 |
| 4181.229.052 | CHANGE OVER VALVE | Page-03.59 | 110 |
| 4181.243.008 | BUSH | Page-03.77 | 150 |
| 4181.243.011 | BUSH | Page-03.77 | 170 |
| 4181.243.013 | BUSH | Page-03.77 | 100 |
| 4181.244.010 | ROTOR | Page-03.67 | 710 |
| 4181.244.053 | SEALING WASHER | Page-03.67 | 800 |
| 4181.245.004 | LUB.PRESS.VALVE | Page-03.67 | 300 |
| 4181.247.009 | INPUT SHAFT | Page-03.89 | 300 |
| 4181.247.010 | INPUT SHAFT | Page-03.89 | 250 |
| 4181.247.017 | INPUT SHAFT | Page-03.89 | 100 |
| 4181.250.010 | TURBINE SHAFT | Page-03.97 | 300 |
| 4181.251.030 | OIL DAM | Page-03.99 | 300 |
| 4181.251.052 | OIL DAM | Page-03.99 | 200 |
| 4181.254.006 | OIL DAM | Page-03.105 | 200 |
| 4181.254.008 | OIL DAM | Page-03.105 | 300 |
| 4181.270.020 | VALVE | Page-03.117 | 850 |
| 4181.270.021 | VALVE | Page-03.119 | 210 |
| 4181.277.050 | OIL PAN | Page-03.137 | 100 |

ISUZU CITIPORT AT E6 Parts List

| Part Number | Description | Page | Poz.No |
|--------------|-----------------|-------------|--------|
| 4181.279.003 | SLEEVE | Page-03.145 | 100 |
| 4181.281.015 | FILLER TUBE | Page-03.177 | 100 |
| 4181.284.022 | BRACKET | Page-03.27 | 100 |
| 4181.284.054 | BRACKET | Page-03.195 | 410 |
| 4181.290.024 | DISC CARRIER | Page-03.21 | 300 |
| 4181.290.025 | DISC CARRIER | Page-03.19 | 100 |
| 4181.290.029 | DISC CARRIER | Page-03.177 | 101 |
| 4181.290.063 | DISC CARRIER | Page-03.35 | 100 |
| 4181.291.017 | PLANET CARRIER | Page-03.153 | 101 |
| 4181.292.017 | DISC CARRIER | Page-03.41 | 100 |
| 4181.292.021 | DISC CARRIER | Page-03.45 | 100 |
| 4181.292.027 | DISC CARRIER | Page-03.53 | 101 |
| 4181.292.032 | DISC CARRIER | Page-03.55 | 110 |
| 4181.292.032 | DISC CARRIER | Page-03.57 | 110 |
| 4181.292.033 | DISC CARRIER | Page-03.55 | 120 |
| 4181.292.033 | DISC CARRIER | Page-03.57 | 120 |
| 4181.295.049 | HUB | Page-03.111 | 100 |
| 4181.295.050 | HUB | Page-03.97 | 480 |
| 4181.295.064 | HUB | Page-03.101 | 100 |
| 4181.295.065 | HUB | Page-03.107 | 103 |
| 4181.295.066 | HUB | Page-03.107 | 102 |
| 4181.295.068 | HUB | Page-03.109 | 100 |
| 4181.295.075 | OIL DAM | Page-03.99 | 301 |
| 4181.299.034 | PIPE SOCKET | Page-03.193 | 100 |
| 4181.299.035 | PIPE SOCKET | Page-03.187 | 100 |
| 4181.301.001 | PISTON | Page-03.163 | 131 |
| 4181.303.032 | WAVE SPRING | Page-03.35 | 120 |
| 4181.305.004 | BUSH | Page-03.7 | 201 |
| 4181.305.005 | BUSH | Page-03.7 | 204 |
| 4181.307.012 | CYLINDER | Page-03.13 | 201 |
| 4181.307.013 | COVER | Page-03.13 | 301 |
| 4181.307.015 | PISTON | Page-03.13 | 306 |
| 4181.307.024 | CYLINDER | Page-03.13 | 110 |
| 4181.307.029 | OIL TUBE | Page-03.13 | 303 |
| 4181.307.031 | CYLINDER | Page-03.13 | 101 |
| 4181.307.032 | THREADED INSERT | Page-03.13 | 308 |
| 4181.307.034 | CAGE | Page-03.13 | 305 |
| 4181.308.017 | MANIFOLD | Page-03.19 | 250 |
| 4181.308.038 | MANIFOLD | Page-03.25 | 400 |
| 4181.310.035 | COVER | Page-03.175 | 980 |
| 4181.312.015 | OUTPUTCOVER | Page-03.147 | 101 |
| 4181.312.022 | OUTPUTCOVER | Page-03.169 | 010 |
| 4181.313.006 | BEARING BUSH | Page-03.149 | 250 |
| 4181.313.008 | BEARING BUSH | Page-03.149 | 100 |
| 4181.317.018 | BEARING PIN | Page-03.155 | 200 |
| 4181.317.020 | BEARING PIN | Page-03.155 | 210 |
| 4181.317.033 | BEARING PIN | Page-03.153 | 102 |
| 4181.317.041 | BEARING PIN | Page-03.155 | 230 |
| 4181.322.014 | BEARING PIN | Page-03.41 | 200 |
| 4181.322.016 | BEARING PIN | Page-03.39 | 200 |

ISUZU CITIPORT AT E6 Parts List

| Part Number | Description | Page | Poz.No |
|--------------|-----------------|------------|--------|
| 4181.322.018 | BEARING PIN | Page-03.41 | 210 |
| 4181.323.004 | BEARING PIN | Page-03.43 | 200 |
| 4181.323.013 | BEARING PIN | Page-03.45 | 200 |
| 4181.323.014 | BEARING PIN | Page-03.45 | 210 |
| 4181.324.006 | INPUT SHAFT | Page-03.47 | 100 |
| 4181.324.007 | INPUT SHAFT | Page-03.47 | 200 |
| 4181.325.003 | PLANETARY GEAR | Page-03.41 | 230 |
| 4181.325.004 | PLANETARY GEAR | Page-03.45 | 230 |
| 4181.326.004 | RING GEAR | Page-03.49 | 200 |
| 4181.327.001 | SEGMENT | Page-03.51 | 210 |
| 4181.327.001 | SEGMENT | Page-03.99 | 400 |
| 4181.327.002 | SEGMENT | Page-03.53 | 102 |
| 4181.327.002 | SEGMENT | Page-03.59 | 200 |
| 4181.328.015 | WASHER | Page-03.55 | 101 |
| 4181.328.015 | WASHER | Page-03.57 | 101 |
| 4181.328.016 | WASHER | Page-03.55 | 101 |
| 4181.328.016 | WASHER | Page-03.57 | 101 |
| 4181.328.017 | WASHER | Page-03.55 | 101 |
| 4181.328.017 | WASHER | Page-03.57 | 101 |
| 4181.329.001 | PISTON | Page-03.59 | 101 |
| 4181.329.003 | PISTON | Page-03.59 | 111 |
| 4181.329.022 | PISTON | Page-03.59 | 154 |
| 4181.329.038 | VALVE HOUSING | Page-03.59 | 151 |
| 4181.329.040 | PISTON | Page-03.59 | 152 |
| 4181.342.020 | OIL FEED FLANGE | Page-03.75 | 100 |
| 4181.343.012 | STATOR SHAFT | Page-03.77 | 101 |
| 4181.343.013 | BUSH | Page-03.77 | 171 |
| 4181.344.013 | SEALING WASHER | Page-03.73 | 802 |
| 4181.344.019 | SEALING WASHER | Page-03.73 | 801 |
| 4181.345.001 | BUSH | Page-03.69 | 304 |
| 4181.345.002 | BUSH | Page-03.69 | 301 |
| 4181.346.017 | FIXING PLATE | Page-03.83 | 010 |
| 4181.346.041 | FIXING PLATE | Page-03.83 | 130 |
| 4181.346.042 | FIXING PLATE | Page-03.83 | 230 |
| 4181.346.043 | FIXING PLATE | Page-03.67 | 350 |
| 4181.346.048 | FIXING PLATE | Page-03.83 | 100 |
| 4181.346.049 | FIXING PLATE | Page-03.83 | 200 |
| 4181.346.050 | FIXING PLATE | Page-03.83 | 500 |
| 4181.346.051 | FIXING PLATE | Page-03.83 | 320 |
| 4181.346.052 | FIXING PLATE | Page-03.83 | 420 |
| 4181.346.053 | FIXING PLATE | Page-03.83 | 520 |
| 4181.346.054 | FIXING PLATE | Page-03.83 | 400 |
| 4181.346.055 | FIXING PLATE | Page-03.83 | 300 |
| 4181.346.056 | FIXING PLATE | Page-03.83 | 220 |
| 4181.347.014 | INPUT GEAR | Page-03.89 | 301 |
| 4181.347.015 | INPUT GEAR | Page-03.89 | 250 |
| 4181.347.016 | INPUT GEAR | Page-03.89 | 200 |
| 4181.347.017 | INPUT GEAR | Page-03.89 | 250 |
| 4181.347.022 | INPUT GEAR | Page-03.89 | 400 |
| 4181.347.027 | INPUT GEAR | Page-03.89 | 101 |

ISUZU CITIPORT AT E6 Parts List

| Part Number | Description | Page | Poz.No |
|--------------|-------------------|-------------|--------|
| 4181.348.009 | SUPPORTING PLATE | Page-03.67 | 600 |
| 4181.350.023 | SPLIT RING | Page-03.97 | 330 |
| 4181.351.011 | PISTON | Page-03.99 | 201 |
| 4181.354.001 | OIL DAM | Page-03.105 | 201 |
| 4181.354.006 | OIL DAM | Page-03.105 | 310 |
| 4181.354.008 | OIL DAM | Page-03.105 | 301 |
| 4181.355.024 | WASHER | Page-03.107 | 101 |
| 4181.355.025 | WASHER | Page-03.107 | 101 |
| 4181.355.026 | WASHER | Page-03.107 | 101 |
| 4181.360.003 | COVER PLATE | Page-03.113 | 100 |
| 4181.370.017 | DUCT PLATE | Page-03.123 | 520 |
| 4181.370.067 | DUCT PLATE | Page-03.119 | 211 |
| 4181.370.072 | DUCT PLATE | Page-03.119 | 215 |
| 4181.370.077 | DUCT PLATE | Page-03.123 | 770 |
| 4181.370.080 | DUCT PLATE | Page-03.117 | 010 |
| 4181.370.081 | DUCT PLATE | Page-03.119 | 100 |
| 4181.370.084 | DUCT PLATE | Page-03.127 | 900 |
| 4181.370.092 | DUCT PLATE | Page-03.119 | 216 |
| 4181.370.095 | DUCT PLATE | Page-03.123 | 460 |
| 4181.370.096 | DUCT PLATE | Page-03.123 | 510 |
| 4181.370.097 | DUCT PLATE | Page-03.123 | 660 |
| 4181.370.098 | DUCT PLATE | Page-03.123 | 760 |
| 4181.370.099 | DUCT PLATE | Page-03.123 | 560 |
| 4181.370.100 | DUCT PLATE | Page-03.119 | 214 |
| 4181.370.101 | DUCT PLATE | Page-03.119 | 212 |
| 4181.370.102 | DUCT PLATE | Page-03.119 | 214 |
| 4181.377.004 | CAP | Page-03.137 | 101 |
| 4181.377.008 | CAP | Page-03.137 | 103 |
| 4181.377.018 | CAP | Page-03.137 | 104 |
| 4181.378.007 | FILTER COVER | Page-03.141 | 200 |
| 4181.379.004 | SLEEVE | Page-03.145 | 101 |
| 4181.383.001 | PROTECTIVE SHEET | Page-03.181 | 300 |
| 4181.383.002 | OUTPUT FLANGE | Page-03.181 | 100 |
| 4181.384.070 | CONNECTING SOCKET | Page-03.27 | 150 |
| 4181.384.100 | COVER | Page-03.7 | 380 |
| 4181.384.101 | COVER | Page-03.189 | 982 |
| 4181.384.102 | ANCHORAGE | Page-03.189 | 960 |
| 4181.385.056 | TUBE | Page-03.193 | 010 |
| 4181.385.057 | TUBE | Page-03.187 | 010 |
| 4181.393.001 | WASHER | Page-03.183 | 900 |
| 4460.205.130 | BEVEL GEAR SET | Page-04.35 | 010 |
| 4460.305.682 | INPUTFLANGE | Page-04.37 | 420 |
| 4460.311.206 | SCREEN SHEET | Page-04.37 | 436 |
| 4461.301.105 | CROSSJOINT | Page-04.39 | 700 |
| 4461.301.159 | CROSSJOINT | Page-04.39 | 710 |
| 4461.301.167 | CROSSJOINT | Page-04.39 | 570 |
| 4461.301.168 | CROSSJOINT | Page-04.39 | 580 |
| 4472.203.006 | DIFFERENTIAL | Page-04.39 | 500 |
| 4472.298.187 | HUB | Page-04.23 | 910 |
| 4472.335.325 | BEARING PIN | Page-04.43 | 110 |

ISUZU CITIPORT AT E6 Parts List

| Part Number | Description | Page | Poz.No |
|--------------|--------------------|-------------|--------|
| 4472.335.433 | BEARING PIN | Page-04.43 | 180 |
| 4472.335.647 | BEARING PIN | Page-04.43 | 050 |
| 4472.335.681 | BEARING PIN | Page-04.43 | 070 |
| 4472.335.757 | BEARING PIN | Page-04.23 | 020 |
| 4472.335.822 | BEARING PIN | Page-04.43 | 140 |
| 4472.336.272 | AXLESUPPORT | Page-04.33 | 010 |
| 4472.336.273 | AXLESUPPORT | Page-04.33 | 020 |
| 4472.336.347 | AXLESUPPORT | Page-04.43 | 010 |
| 4472.336.486 | AXLESUPPORT | Page-04.41 | 010 |
| 4474.152.009 | STEERING ARM | Page-04.19 | 030 |
| 4474.152.010 | STEERING ARM | Page-04.19 | 040 |
| 4474.159.001 | WHEEL HEAD | Page-04.7 | 010 |
| 4474.159.002 | WHEEL HEAD | Page-04.7 | 010 |
| 4474.250.001 | SEALING HOLDER | Page-04.7 | 070 |
| 4474.275.006 | COVER | Page-04.7 | 112 |
| 4474.335.142 | FLANGE SHAFT | Page-04.23 | 100 |
| 4474.375.063 | AXLE PIN | Page-04.19 | 310 |
| 4474.375.063 | AXLE PIN | Page-04.19 | 410 |
| 4474.375.075 | AXLE PIN | Page-04.15 | 050 |
| 4474.375.081 | AXLE PIN | Page-04.19 | 032 |
| 4474.375.083 | AXLE PIN | Page-04.19 | 044 |
| 4474.375.085 | AXLE PIN | Page-04.7 | 020 |
| 4474.375.086 | AXLE PIN | Page-04.7 | 020 |
| 4474.375.087 | AXLE PIN | Page-04.7 | 071 |
| 4474.375.106 | AXLE PIN | Page-04.7 | 011 |
| 4474.375.107 | AXLE PIN | Page-04.7 | 011 |
| 4474.375.108 | AXLE PIN | Page-04.7 | 012 |
| 4474.375.111 | AXLE PIN | Page-04.7 | 111 |
| 4474.375.112 | AXLE PIN | Page-04.7 | 060 |
| 4474.375.116 | AXLE PIN | Page-04.19 | 036 |
| 4474.375.116 | AXLE PIN | Page-04.19 | 046 |
| 4474.375.153 | AXLE PIN | Page-04.15 | 080 |
| 4474.375.154 | AXLE PIN | Page-04.15 | 070 |
| 4474.375.162 | AXLE PIN | Page-04.15 | 030 |
| 4474.375.163 | AXLE PIN | Page-04.15 | 030 |
| 4474.385.030 | RING | Page-04.15 | 040 |
| 4474.385.032 | RING | Page-04.15 | 090 |
| 4474.385.032 | RING | Page-04.19 | 312 |
| 4474.385.032 | RING | Page-04.19 | 412 |
| 4475.319.140 | WHEEL STUD | Page-04.7 | 013 |
| 6006.341.048 | PUSHBUTTON SWITCH | Page-03.159 | 110 |
| 6029.039.090 | CABLE ECOLIFE | Page-03.117 | 300 |
| 6029.039.091 | CABLE ECOLIFE | Page-03.175 | 970 |
| 6029.039.124 | CABLE ECOLIFE | Page-03.211 | 920 |
| 6029.039.262 | CABLE ECOLIFE | Page-03.159 | 112 |
| 6070.003.010 | EST ECOLIFE | Page-03.209 | 910 |
| 6070.303.388 | BASIC PROGRAM | Page-03.213 | 000 |
| 6070.308.615 | DATA FIELD 1 | Page-03.213 | 000 |
| 109700969001 | CLIP, FRAME HAR, L | Page-04.57 | 023 |
| 109700969001 | CLIP, FRAME HAR, L | Page-08.37 | 105 |

ISUZU CITIPORT AT E6 Parts List

| Part Number | Description | Page | Poz.No |
|--------------|--|-------------|--------|
| 300010612101 | BOLT, HEX M6X1X12, COARSE T. DIN933 | Page-08.57 | 004 |
| 300010614001 | BOLT, HEX M6X1X14, COARSE T. DIN933 | Page-01.27 | 208 |
| 300010614401 | BOLT, HEX M6X1X14, COARSE T. DIN933 | Page-01.31 | 130 |
| 300010812401 | BOLT, HEX M8X1. 25X12, COARSE T. DIN933 | Page-01.31 | 132 |
| 300010816601 | BOLT, HEX M8X1. 25X16, COARSE T. DIN933 | Page-02.3 | 014 |
| 300010820201 | BOLT, HEX M8X1. 25X20, COARSE T. DIN933 | Page-06.55 | 002 |
| 300010820201 | BOLT, HEX M8X1. 25X20, COARSE T. DIN933 | Page-06.59 | 002 |
| 300010820201 | BOLT, HEX M8X1. 25X20, COARSE T. DIN933 | Page-06.61 | 002 |
| 300010820201 | BOLT, HEX M8X1. 25X20, COARSE T. DIN933 | Page-08.5 | 005 |
| 300010820201 | BOLT, HEX M8X1. 25X20, COARSE T. DIN933 | Page-08.5 | 012 |
| 300010820201 | BOLT, HEX M8X1. 25X20, COARSE T. DIN933 | Page-09.7 | 145 |
| 300010820401 | BOLT, HEX M8X1. 25X20, COARSE T. DIN933 | Page-01.39 | 113 |
| 300010820601 | BOLT, HEX M8X1. 25X20, COARSE T. DIN933 | Page-02.7 | 039 |
| 300010825201 | BOLT, HEX M8X1. 25X25, COARSE T. DIN933 | Page-11.13 | 006 |
| 300010825601 | BOLT, HEX M8X1. 25X25, COARSE T. DIN933 | Page-04.59 | 035 |
| 300010830201 | BOLT, HEX M8X1. 25X30, COARSE T. DIN933 | Page-06.55 | 016 |
| 300010830201 | BOLT, HEX M8X1. 25X30, COARSE T. DIN933 | Page-06.61 | 016 |
| 300010830201 | BOLT, HEX M8X1. 25X30, COARSE T. DIN933 | Page-07.33 | 024 |
| 300010835601 | BOLT, HEX M8X1. 25X35, COARSE T. DIN933 | Page-01.153 | 019 |
| 300010845201 | BOLT, HEX M8X1. 25X45, COARSE T. DIN933 | Page-09.7 | 153 |
| 300010865601 | BOLT, HEX M8X1. 25X65 COARSE T. DIN 933 | Page-10.3 | 018 |
| 300011016601 | BOLT, HEX M10X1. 5X16 COARSE T. DIN 933 | Page-10.3 | 017 |
| 300011040601 | BOLT, HEX M10X1. 5X40, COARSE T. DIN 933 | Page-10.3 | 019 |
| 300011250401 | BOLT, HEX M12X1. 75X50, COARSE T. DIN933 | Page-01.41 | 007 |
| 300021030201 | BOLT, HEX M10X1. 25X30, FINE T. DIN961 | Page-07.35 | 018 |
| 300021030401 | BOLT, HEX M10X1. 25X30, FINE T. DIN961 | Page-01.103 | 007 |
| 300030430301 | BOLT, HEX M4X0. 7X30, COARSE T. DIN931 | Page-04.47 | 008 |
| 300030645101 | BOLT, HEX M6X1X45, COARSE T. DIN931 | Page-08.39 | 131 |
| 300030645401 | BOLT, HEX M6X1X45, COARSE T. DIN931 | Page-01.31 | 110 |
| 300030845201 | BOLT, HEX M8X1. 25X45, COARSE T. DIN931 | Page-04.57 | 029 |
| 300030865201 | BOLT, HEX M8X1. 25X65, COARSE T. DIN931 | Page-09.9 | 149 |
| 300031030201 | BOLT, HEX M10X1. 5X30, COARSE T. DIN931 | Page-11.5 | 121 |
| 300031070601 | BOLT, HEX M10X1. 5X70, COARSE T. DIN931 | Page-01.153 | 005 |
| 300031280601 | BOLT, HEX M12X1. 75X80, COARSE T. DIN931 | Page-10.3 | 031 |
| 300041625601 | BOLT, HEX M16X1. 5X25, FINE T. DIN960 | Page-03.5 | 006 |
| 300051035401 | BOLT, HEX M10X1. 5X35, COARSE T. DIN933 | Page-05.11 | 110 |
| 300051050401 | BOLT, HEX M10X1. 5X50, COARSE T. DIN933 | Page-03.5 | 004 |
| 300051230401 | BOLT, HEX M12X1. 75X30, COARSE T. DIN933 | Page-01.103 | 003 |
| 300051230401 | BOLT, HEX M12X1. 75X30, COARSE T. DIN933 | Page-01.103 | 022 |
| 300051230401 | BOLT, HEX M12X1. 75X30, COARSE T. DIN933 | Page-11.5 | 171 |
| 300051630401 | BOLT, HEX M16X2X30, COARSE T. DIN933 | Page-01.103 | 010 |
| 300061640401 | BOLT, HEX M16X1. 5X40, FINE T. DIN961 | Page-05.7 | 065 |
| 300061840401 | BOLT, HEX M18X1. 5X40, FINE T. DIN961 | Page-05.7 | 031 |
| 300061860701 | BOLT, HEX M18X1. 5X60, FINE T. DIN961 | Page-05.7 | 045 |
| 300062040401 | BOLT, HEX M20X1. 5X40, FINE T. DIN961 | Page-04.49 | 006 |
| 300081600401 | BOLT, HEX M16X1. 5X60, FINE T. DIN960 | Page-05.3 | 020 |
| 300081600401 | BOLT, HEX M16X1. 5X60, FINE T. DIN960 | Page-05.7 | 066 |
| 300082000401 | BOLT, HEX M20X1. 5X100, FINE T. DIN960 | Page-05.11 | 085 |
| 300082000401 | BOLT, HEX M20X1. 5X100, FINE T. DIN960 | Page-05.11 | 094 |
| 300082090401 | BOLT, HEX M20X1. 5X90, FINE T. DIN960 | Page-05.3 | 012 |

ISUZU CITIPORT AT E6 Parts List

| Part Number | Description | Page | Poz.No |
|--------------|--|-------------|--------|
| 300090620101 | BOLT, SOCKET M6X20, COARSE T. DIN912 | Page-07.21 | 214 |
| 300090620101 | BOLT, SOCKET M6X20, COARSE T. DIN912 | Page-07.35 | 022 |
| 300090620101 | BOLT, SOCKET M6X20, COARSE T. DIN912 | Page-07.35 | 066 |
| 300090620301 | BOLT, SOCKET M6X20, COARSE T. DIN912 | Page-07.41 | 104 |
| 300090620601 | BOLT, SOCKET M6X20, COARSE T. DIN912 | Page-01.159 | 050 |
| 300090620601 | BOLT, SOCKET M6X20, COARSE T. DIN912 | Page-01.159 | 056 |
| 300090620601 | BOLT, SOCKET M6X20, COARSE T. DIN912 | Page-01.159 | 065 |
| 300090635101 | BOLT, SOCKET M6X35, COARSE T. DIN912 | Page-01.23 | 011 |
| 300090635101 | BOLT, SOCKET M6X35, COARSE T. DIN912 | Page-07.39 | 058 |
| 300090635101 | BOLT, SOCKET M6X35, COARSE T. DIN912 | Page-07.39 | 068 |
| 300090640601 | BOLT, SOCKET M6X40, COARSE T. DIN912 | Page-01.159 | 115 |
| 300090640601 | BOLT, SOCKET M6X40, COARSE T. DIN912 | Page-01.159 | 116 |
| 300090650601 | BOLT, SOCKET M6X50, COARSE T. DIN912 | Page-01.157 | 099 |
| 300090660301 | BOLT, SOCKET M6X60, COARSE T. DIN912 | Page-07.39 | 070 |
| 300090660601 | BOLT, SOCKET M6X60, COARSE T. DIN912 | Page-01.157 | 120 |
| 300090815101 | BOLT, SOCKET M8X15, COARSE T. DIN912 | Page-07.29 | 027 |
| 300090815101 | BOLT, SOCKET M8X15, COARSE T. DIN912 | Page-08.57 | 005 |
| 300090820101 | BOLT, SOCKET M8X20, COARSE T. DIN912 | Page-07.35 | 013 |
| 300090830301 | BOLT, SOCKET M8X30, COARSE T. DIN912 | Page-06.55 | 029 |
| 300090830301 | BOLT, SOCKET M8X30, COARSE T. DIN912 | Page-06.57 | 029 |
| 300090830301 | BOLT, SOCKET M8X30, COARSE T. DIN912 | Page-06.61 | 029 |
| 300090840601 | BOLT, SOCKET M8X40, COARSE T. DIN912 | Page-01.159 | 022 |
| 300091030601 | BOLT, SOCKET M10X30, COARSE T. DIN912 | Page-01.159 | 046 |
| 300110825601 | BOLT, WING M8X1. 25X25 COARSE T. DIN316 | Page-04.65 | 200 |
| 300120512101 | BOLT, FLN M5X0. 8X12, COARSE T. DIN6921 | Page-06.11 | 068 |
| 300120612601 | BOLT, FLN M6X1X12, COARSE T. DIN6921 | Page-06.11 | 066 |
| 300120616601 | BOLT, FLN M6X1X16, COARSE T. DIN6921 | Page-04.55 | 030 |
| 300120616601 | BOLT, FLN M6X1X16, COARSE T. DIN6921 | Page-06.11 | 057 |
| 300120616601 | BOLT, FLN M6X1X16, COARSE T. DIN6921 | Page-06.41 | 015 |
| 300120616601 | BOLT, FLN M6X1X16, COARSE T. DIN6921 | Page-07.25 | 028 |
| 300120620601 | BOLT, FLN M6X1X20, COARSE T. DIN6921 | Page-01.157 | 097 |
| 300120620601 | BOLT, FLN M6X1X20, COARSE T. DIN6921 | Page-06.17 | 058 |
| 300120620601 | BOLT, FLN M6X1X20, COARSE T. DIN6921 | Page-07.43 | 025 |
| 300120620601 | BOLT, FLN M6X1X20, COARSE T. DIN6921 | Page-07.45 | 046 |
| 300120640601 | BOLT, FLN M6X1X40, COARSE T. DIN6921 | Page-04.53 | 033 |
| 300120812601 | BOLT, FLN M8X1. 25X12, COARSE T. DIN6921 | Page-02.3 | 021 |
| 300120816601 | BOLT, FLN M8X1. 25X16, COARSE T. DIN6921 | Page-02.11 | 057 |
| 300120816601 | BOLT, FLN M8X1. 25X16, COARSE T. DIN6921 | Page-04.59 | 032 |
| 300120816601 | BOLT, FLN M8X1. 25X16, COARSE T. DIN6921 | Page-09.9 | 155 |
| 300120820601 | BOLT, FLN M8X1. 25X20, COARSE T. DIN6921 | Page-01.157 | 014 |
| 300120820601 | BOLT, FLN M8X1. 25X20, COARSE T. DIN6921 | Page-01.157 | 030 |
| 300120820601 | BOLT, FLN M8X1. 25X20, COARSE T. DIN6921 | Page-04.57 | 034 |
| 300120820601 | BOLT, FLN M8X1. 25X20, COARSE T. DIN6921 | Page-04.61 | 008 |
| 300120820601 | BOLT, FLN M8X1. 25X20, COARSE T. DIN6921 | Page-06.17 | 061 |
| 300120825601 | BOLT, FLN M8X1. 25X25, COARSE T. DIN6921 | Page-04.57 | 031 |
| 300120830601 | BOLT, FLN M8X1. 25X30, COARSE T. DIN6921 | Page-07.35 | 008 |
| 300120885601 | BOLT, FLN M8X1. 25X85, COARSE T. DIN6921 | Page-04.61 | 006 |
| 300121020601 | BOLT, FLN M10X1. 5X20, COARSE T. DIN6921 | Page-01.25 | 038 |
| 300121020601 | BOLT, FLN M10X1. 5X20, COARSE T. DIN6921 | Page-01.53 | 004 |
| 300121025601 | BOLT, FLN M10X1. 5X25, COARSE T. DIN6921 | Page-08.3 | 011 |

ISUZU CITIPORT AT E6 Parts List

| Part Number | Description | Page | Poz.No |
|--------------------|---|-------------|---------------|
| 300121025601 | BOLT, FLN M10X1. 5X25, COARSE T. DIN6921 | Page-09.7 | 144 |
| 300121270601 | BOLT, FLN M12X1. 75X70 COARSE T. DIN6921 | Page-01.27 | 036 |
| 300130816601 | BOLT, FLN M8X1. 25X16, COARSE T. DIN6921 | Page-01.153 | 004 |
| 300151040401 | BOLT, FLN M10X1. 25X40, FINE T. DIN6921 | Page-01.103 | 018 |
| 300151430401 | BOLT, FLN M14X1. 5X30, FINE T. DIN6921 | Page-01.103 | 019 |
| 300500004101 | NUT, HEX M4X0. 7, COARSE T. DIN934 | Page-08.13 | 042 |
| 300500005001 | NUT, HEX M5X0. 8, COARSE T. DIN934 | Page-06.29 | 032 |
| 300500005101 | NUT, HEX M5X0. 8, COARSE T. DIN934 | Page-07.47 | 021 |
| 300500006601 | NUT, HEX M6X1, COARSE T. DIN934 | Page-10.3 | 020 |
| 300500008401 | NUT, HEX M8X1. 25, COARSE T. DIN934 | Page-01.31 | 133 |
| 300500008601 | NUT, HEX M8X1. 25, COARSE T. DIN934 | Page-01.43 | 006 |
| 300500008601 | NUT, HEX M8X1. 25, COARSE T. DIN934 | Page-01.153 | 015 |
| 300500008601 | NUT, HEX M8X1. 25, COARSE T. DIN934 | Page-02.7 | 036 |
| 300500008601 | NUT, HEX M8X1. 25, COARSE T. DIN934 | Page-02.11 | 035 |
| 300500010401 | NUT, HEX M10X1. 5, COARSE T. DIN934 | Page-05.11 | 115 |
| 300500010601 | NUT, HEX M10X1. 5, COARSE T. DIN934 | Page-01.53 | 005 |
| 300500012201 | NUT, HEX M12X1. 75, COARSE T. DIN934 | Page-04.49 | 009 |
| 300500012201 | NUT, HEX M12X1. 75, COARSE T. DIN934 | Page-09.11 | 157 |
| 300500012401 | NUT, HEX M12X1. 75, COARSE T. DIN934 | Page-01.41 | 009 |
| 300500012401 | NUT, HEX M12X1. 75, COARSE T. DIN934 | Page-01.103 | 024 |
| 300510010201 | NUT, HEX M10X1. 25, FINE T. DIN934 | Page-07.35 | 007 |
| 300510018401 | NUT, HEX M18X1. 5, FINE T. DIN934 | Page-05.3 | 005 |
| 300510018401 | NUT, HEX M18X1. 5, FINE T. DIN934 | Page-05.7 | 030 |
| 300510020401 | NUT, HEX M20X1. 5, FINE T. DIN934 | Page-05.3 | 014 |
| 300510020401 | NUT, HEX M20X1. 5, FINE T. DIN934 | Page-05.7 | 014 |
| 300580005101 | NUT, FLN&SRTD M5X0. 8, COARSE T. DIN6923 | Page-06.11 | 055 |
| 300580005101 | NUT, FLN&SRTD M5X0. 8, COARSE T. DIN6923 | Page-08.7 | 102 |
| 300580005101 | NUT, FLN&SRTD M5X0. 8, COARSE T. DIN6923 | Page-08.7 | 122 |
| 300580006001 | NUT, FLN&SRTD M6X1, COARSE T. DIN6923 | Page-07.13 | 202 |
| 300580006101 | NUT, FLN&SRTD M6X1, COARSE T. DIN6923 | Page-06.17 | 056 |
| 300580006101 | NUT, FLN&SRTD M6X1, COARSE T. DIN6923 | Page-07.25 | 027 |
| 300580006201 | NUT, FLN&SRTD M6X1, COARSE T. DIN6923 | Page-04.61 | 009 |
| 300580006601 | NUT, FLN&SRTD M6X1, COARSE T. DIN6923 | Page-07.43 | 024 |
| 300580006801 | NUT, FLN&SRTD M6X1, COARSE T. DIN6923 | Page-06.3 | 093 |
| 300580008101 | NUT, FLN&SRTD M8X1. 25, COARSE T. DIN 692 | Page-07.27 | 054 |
| 300580008201 | NUT, FLN&SRTD M8X1. 25, COARSE T. DIN 692 | Page-08.61 | 011 |
| 300580008601 | NUT, FLN&SRTD M8X1. 25, COARSE T. DIN 692 | Page-04.57 | 037 |
| 300580008601 | NUT, FLN&SRTD M8X1. 25, COARSE T. DIN 692 | Page-04.61 | 007 |
| 300580008601 | NUT, FLN&SRTD M8X1. 25, COARSE T. DIN 692 | Page-09.7 | 156 |
| 300580008801 | NUT, FLN&SRTD M8X1. 25, COARSE T. DIN 692 | Page-06.3 | 063 |
| 300580008801 | NUT, FLN&SRTD M8X1. 25, COARSE T. DIN 692 | Page-06.5 | 031 |
| 300580008801 | NUT, FLN&SRTD M8X1. 25, COARSE T. DIN 692 | Page-06.5 | 073 |
| 300580008801 | NUT, FLN&SRTD M8X1. 25, COARSE T. DIN 692 | Page-06.5 | 083 |
| 300580008801 | NUT, FLN&SRTD M8X1. 25, COARSE T. DIN 692 | Page-06.5 | 101 |
| 300580010101 | NUT, FLN&SRTD M10X1. 5, COARSE T. DIN 692 | Page-07.35 | 061 |
| 300580010201 | NUT, FLN&SRTD M10X1. 5, COARSE T. DIN 692 | Page-08.3 | 012 |
| 300580010201 | NUT, FLN&SRTD M10X1. 5, COARSE T. DIN 692 | Page-11.5 | 122 |
| 300580010601 | NUT, FLN&SRTD M10X1. 5, COARSE T. DIN 692 | Page-01.153 | 006 |
| 300620006601 | NUT, FLN M6X1, COARSE T. DIN6923 | Page-01.157 | 098 |
| 300620008601 | NUT, FLN M8X1. 25, COARSE T. DIN6923 | Page-01.157 | 031 |

ISUZU CITIPORT AT E6 Parts List

| Part Number | Description | Page | Poz.No |
|--------------|---|-------------|--------|
| 300620008601 | NUT, FLN M8X1. 25, COARSE T. DIN6923 | Page-06.17 | 062 |
| 300620010601 | NUT, FLN M10X1. 5, COARSE T. DIN6923 | Page-06.15 | 065 |
| 300620012601 | NUT, FLN M12X1. 75, COARSE T. DIN6923 | Page-01.27 | 037 |
| 300620012601 | NUT, FLN M12X1. 75, COARSE T. DIN6923 | Page-01.103 | 006 |
| 300620012601 | NUT, FLN M12X1. 75, COARSE T. DIN6923 | Page-10.3 | 032 |
| 300630010601 | NUT, FLN M10X1. 25, FINE T. DIN6923 | Page-01.103 | 008 |
| 300670008401 | NUT, FLN M8X1. 25, COARSE T. DIN6923 | Page-05.7 | 033 |
| 300700008101 | NUT, FLN M8X1. 25, COARSE T. DIN1587 | Page-07.27 | 019 |
| 300850010201 | NUT, NYLON PRV. M10X1. 25, FINE T. DIN985 | Page-01.167 | 051 |
| 300860006101 | NUT, NYLON PRV. M6, COARSE T. DIN985 | Page-04.65 | 015 |
| 301000005101 | WASHER, PLAIN D= 5 DIN 125 | Page-07.47 | 022 |
| 301000006001 | PIPE, AIR INTAKE | Page-01.27 | 209 |
| 301000006101 | PIPE, AIR INTAKE | Page-04.65 | 014 |
| 301000006101 | PIPE, AIR INTAKE | Page-07.35 | 023 |
| 301000006101 | PIPE, AIR INTAKE | Page-07.41 | 105 |
| 301000006101 | PIPE, AIR INTAKE | Page-08.5 | 083 |
| 301000006401 | PIPE, AIR INTAKE | Page-01.31 | 131 |
| 301000008101 | WASHER, PLAIN D= 8 DIN 125 | Page-07.33 | 030 |
| 301000008201 | WASHER, PLAIN D= 8 DIN 125 | Page-03.5 | 005 |
| 301000008201 | WASHER, PLAIN D= 8 DIN 125 | Page-06.55 | 005 |
| 301000008201 | WASHER, PLAIN D= 8 DIN 125 | Page-06.55 | 017 |
| 301000008201 | WASHER, PLAIN D= 8 DIN 125 | Page-06.55 | 028 |
| 301000008201 | WASHER, PLAIN D= 8 DIN 125 | Page-06.57 | 028 |
| 301000008201 | WASHER, PLAIN D= 8 DIN 125 | Page-06.59 | 005 |
| 301000008201 | WASHER, PLAIN D= 8 DIN 125 | Page-06.61 | 005 |
| 301000008201 | WASHER, PLAIN D= 8 DIN 125 | Page-06.61 | 017 |
| 301000008201 | WASHER, PLAIN D= 8 DIN 125 | Page-06.61 | 028 |
| 301000008601 | WASHER, PLAIN D= 8 DIN 125 | Page-01.43 | 007 |
| 301000008601 | WASHER, PLAIN D= 8 DIN 125 | Page-01.153 | 013 |
| 301000008601 | WASHER, PLAIN D= 8 DIN 125 | Page-02.3 | 015 |
| 301000008601 | WASHER, PLAIN D= 8 DIN 125 | Page-02.7 | 040 |
| 301000008601 | WASHER, PLAIN D= 8 DIN 125 | Page-06.3 | 064 |
| 301000008601 | WASHER, PLAIN D= 8 DIN 125 | Page-06.5 | 074 |
| 301000008601 | WASHER, PLAIN D= 8 DIN 125 | Page-06.5 | 084 |
| 301000010201 | WASHER, PLAIN D= 10 DIN 125 | Page-07.35 | 005 |
| 301000010201 | WASHER, PLAIN D= 10 DIN 125 | Page-07.35 | 019 |
| 301000012401 | WASHER | Page-01.103 | 004 |
| 301000012401 | WASHER | Page-01.103 | 023 |
| 301000012401 | WASHER | Page-04.49 | 010 |
| 301000012401 | WASHER | Page-11.5 | 172 |
| 301000016401 | WASHER | Page-01.103 | 011 |
| 301000016401 | WASHER | Page-05.3 | 021 |
| 301000016401 | WASHER | Page-05.7 | 070 |
| 301000016601 | WASHER | Page-03.5 | 007 |
| 301000018401 | WASHER, Ø18, HV300 | Page-05.3 | 019 |
| 301000018401 | WASHER, Ø18, HV300 | Page-05.7 | 041 |
| 301000020401 | WASHER, HV300 Ø20 | Page-05.3 | 013 |
| 301000020401 | WASHER, HV300 Ø20 | Page-05.7 | 307 |
| 301000024401 | WASHER, S CAMSHAFT | Page-01.103 | 015 |
| 301010004101 | WASHER, SPRING D= 4 DIN 127 | Page-08.13 | 043 |

ISUZU CITIPOINT AT E6 Parts List

| Part Number | Description | Page | Poz.No |
|--------------|-----------------------------------|-------------|--------|
| 301010006101 | WASHER, SPRING D= 6 DIN 127 | Page-08.5 | 087 |
| 301010006301 | WASHER, SPRING D= 6 DIN 127 | Page-01.159 | 051 |
| 301010006301 | WASHER, SPRING D= 6 DIN 127 | Page-01.159 | 057 |
| 301010008201 | WASHER, SPRING D= 8 DIN 127 | Page-01.29 | 045 |
| 301010008201 | WASHER, SPRING D= 8 DIN 127 | Page-06.55 | 003 |
| 301010008201 | WASHER, SPRING D= 8 DIN 127 | Page-06.55 | 018 |
| 301010008201 | WASHER, SPRING D= 8 DIN 127 | Page-06.55 | 027 |
| 301010008201 | WASHER, SPRING D= 8 DIN 127 | Page-06.57 | 027 |
| 301010008201 | WASHER, SPRING D= 8 DIN 127 | Page-06.59 | 003 |
| 301010008201 | WASHER, SPRING D= 8 DIN 127 | Page-06.61 | 003 |
| 301010008201 | WASHER, SPRING D= 8 DIN 127 | Page-06.61 | 018 |
| 301010008201 | WASHER, SPRING D= 8 DIN 127 | Page-06.61 | 027 |
| 301010008201 | WASHER, SPRING D= 8 DIN 127 | Page-07.35 | 014 |
| 301010008201 | WASHER, SPRING D= 8 DIN 127 | Page-08.5 | 004 |
| 301010008201 | WASHER, SPRING D= 8 DIN 127 | Page-08.5 | 011 |
| 301010008601 | WASHER, SPRING D= 8 DIN 127 | Page-01.153 | 014 |
| 301010008601 | WASHER, SPRING D= 8 DIN 127 | Page-04.57 | 038 |
| 301010010201 | WASHER, SPRING M10 | Page-07.35 | 020 |
| 301010010201 | WASHER, SPRING M10 | Page-11.5 | 123 |
| 301010012401 | WASHER Ø12 | Page-01.41 | 008 |
| 301030006201 | WASHER, M6 KNURLED | Page-07.21 | 213 |
| 301090010401 | WASHER, SPRING D= 10 DIN 137 | Page-05.11 | 120 |
| 301110004301 | WASHER, PLAIN D= 4 DIN 9021 | Page-04.47 | 009 |
| 301110006001 | WASHER, PLAIN D= 6 DIN 9021 | Page-06.27 | 021 |
| 301110006301 | WASHER, PLAIN D= 6 DIN 9021 | Page-06.45 | 024 |
| 301110008201 | WASHER, DIN9021 8X25X2 | Page-07.13 | 201 |
| 301110008201 | WASHER, DIN9021 8X25X2 | Page-07.33 | 016 |
| 301110008201 | WASHER, DIN9021 8X25X2 | Page-08.57 | 006 |
| 301110008201 | WASHER, DIN9021 8X25X2 | Page-08.61 | 010 |
| 301110008601 | WASHER, DIN9021 8X25X2 | Page-10.3 | 021 |
| 301120008201 | WASHER | Page-11.13 | 008 |
| 301500420801 | SCREW | Page-08.13 | 041 |
| 301500420801 | SCREW | Page-08.13 | 046 |
| 301500420801 | SCREW | Page-08.13 | 051 |
| 301500510801 | SCREW M5X10 DIN 7986 | Page-08.9 | 142 |
| 301500515801 | SCREW M5 | Page-06.5 | 017 |
| 301500515801 | SCREW M5 | Page-08.7 | 101 |
| 301500515801 | SCREW M5 | Page-08.7 | 121 |
| 301500615801 | SCREW M6X15 DIN 7986 | Page-06.3 | 002 |
| 301500615801 | SCREW M6X15 DIN 7986 | Page-06.3 | 062 |
| 301500615801 | SCREW M6X15 DIN 7986 | Page-06.3 | 092 |
| 301500615801 | SCREW M6X15 DIN 7986 | Page-06.5 | 072 |
| 301500615801 | SCREW M6X15 DIN 7986 | Page-06.5 | 082 |
| 301500620001 | BOLT, 6X20 | Page-06.27 | 020 |
| 301500620101 | BOLT, 6X20 | Page-08.5 | 080 |
| 301500620101 | BOLT, 6X20 | Page-08.5 | 082 |
| 301500820301 | SCREW M8x2 | Page-07.27 | 018 |
| 301520520101 | SCREW, METRIC, M5X20, YHB DIN 965 | Page-07.21 | 219 |
| 301600610301 | SCREW M6 DIN 7985 | Page-01.25 | 050 |
| 301600830301 | SCREW, M8X30 | Page-01.29 | 046 |

ISUZU CITIPORT AT E6 Parts List

| Part Number | Description | Page | Poz.No |
|--------------------|------------------------------------|-------------|---------------|
| 301700530301 | BOLT | Page-06.21 | 077 |
| 301700616301 | SCREW | Page-06.53 | 014 |
| 301700620101 | BOLT | Page-07.35 | 063 |
| 301700620101 | BOLT | Page-07.35 | 082 |
| 301700630101 | SCREW | Page-06.47 | 002 |
| 301700630101 | SCREW | Page-06.49 | 014 |
| 301700630101 | SCREW | Page-06.51 | 014 |
| 301794219201 | SCREW, COUNERSUNK OVAL HEADED 4.2 | Page-07.21 | 204 |
| 301794219201 | SCREW, COUNERSUNK OVAL HEADED 4.2 | Page-07.29 | 021 |
| 301794219201 | SCREW, COUNERSUNK OVAL HEADED 4.2 | Page-08.57 | 013 |
| 301813525301 | SCREW | Page-06.41 | 060 |
| 301814225201 | SCREW, 4.2X25, DIN 7981 | Page-07.21 | 215 |
| 301832913101 | SCREW | Page-07.11 | 222 |
| 301833513101 | SCREW | Page-06.37 | 021 |
| 301833916101 | SELF TAPPING SCREW | Page-07.19 | 208 |
| 301852913101 | SELF TAPPING SCREW | Page-06.7 | 163 |
| 301852913101 | SELF TAPPING SCREW | Page-06.37 | 012 |
| 301852913101 | SELF TAPPING SCREW | Page-07.15 | 210 |
| 301853516301 | SCREW | Page-06.45 | 003 |
| 301853516301 | SCREW | Page-07.47 | 007 |
| 301854219101 | SCREW | Page-07.47 | 002 |
| 301894816301 | WASHER | Page-06.55 | 041 |
| 301894816301 | WASHER | Page-06.57 | 041 |
| 301894816301 | WASHER | Page-06.63 | 041 |
| 301894825301 | SCREW | Page-06.45 | 022 |
| 301894825301 | SCREW | Page-07.29 | 064 |
| 301894825301 | SCREW | Page-07.41 | 103 |
| 301904219201 | SCREW, 4.2X19 DIN 7981 YELLOW | Page-07.15 | 206 |
| 301904219201 | SCREW, 4.2X19 DIN 7981 YELLOW | Page-07.27 | 068 |
| 301904219201 | SCREW, 4.2X19 DIN 7981 YELLOW | Page-07.29 | 022 |
| 301904219201 | SCREW, 4.2X19 DIN 7981 YELLOW | Page-07.43 | 023 |
| 301904219201 | SCREW, 4.2X19 DIN 7981 YELLOW | Page-07.45 | 044 |
| 301904219201 | SCREW, 4.2X19 DIN 7981 YELLOW | Page-08.57 | 009 |
| 302520520001 | RIVET, ST (5 X 20) | Page-07.39 | 073 |
| 304010016001 | GASKET | Page-09.11 | 134 |
| 305301625601 | CLAMP, W/BOLT B12, Ø16-25, DIN3017 | Page-02.9 | 028 |
| 305302032601 | CLAMP, W/BOLT B12, Ø20-32, DIN3017 | Page-02.9 | 026 |
| 305302032601 | CLAMP, W/BOLT B12, Ø20-32, DIN3017 | Page-02.11 | 027 |
| 305350080801 | CLAMP, W/BOLT B9, Ø80-100, DIN3017 | Page-01.29 | 043 |
| 305351625801 | CLAMP, W/BOLT B9, Ø16-25, DIN3017 | Page-01.157 | 038 |
| 305352032801 | CLAMP, W/BOLT B9, Ø20-32, DIN3017 | Page-04.57 | 024 |
| 305352540801 | CLAMP, W/BOLT B9, Ø25-40, DIN3017 | Page-04.57 | 026 |
| 305353250801 | CLAMP, W/BOLT B9, Ø32-50, DIN3017 | Page-08.47 | 004 |
| 305353250801 | CLAMP, W/BOLT B9, Ø32-50, DIN3017 | Page-09.9 | 129 |
| 305355070801 | CLAMP, W/BOLT B9, Ø50-70, DIN3017 | Page-08.47 | 005 |
| 308122110001 | TUBE, NYLON | Page-09.9 | 261 |
| 308132008001 | HOSE, PNO | Page-09.7 | 252 |
| 308132035001 | SCREW | Page-09.7 | 259 |
| 308132040001 | HOSE, PNO. | Page-09.7 | 260 |
| 308132045001 | HOSE | Page-09.7 | 262 |

ISUZU CITIPORT AT E6 Parts List

| Part Number | Description | Page | Poz.No |
|--------------|--|-------------|--------|
| 308132050001 | HOSE, PNO | Page-09.7 | 257 |
| 308132052001 | HOSE, POLIAMID | Page-09.7 | 251 |
| 308132065001 | HOSE, POLIAMID | Page-09.7 | 250 |
| 308132220001 | TUBE, NYLON | Page-09.9 | 238 |
| 308132240001 | HOSE, PNO | Page-09.11 | 204 |
| 308132245001 | HOSE, PNO | Page-09.5 | 254 |
| 308132270001 | TUBE, NYLON | Page-09.7 | 256 |
| 308132300001 | HOSE | Page-09.11 | 232 |
| 308144045001 | HOSE | Page-09.7 | 239 |
| 308144160001 | HOSE, PNO | Page-09.11 | 201 |
| 308144160001 | HOSE, PNO | Page-09.11 | 234 |
| 308144345001 | HOSE, PNO | Page-09.7 | 226 |
| 308154205001 | HOSE, PNO | Page-09.11 | 200 |
| 308154290001 | HOSE, PNO | Page-09.11 | 223 |
| 308232140001 | TUBE, NYLON | Page-09.5 | 253 |
| 308232370001 | HOSE, PNO | Page-09.9 | 216 |
| 308232405001 | HOSE, PNO | Page-09.11 | 233 |
| 308232465001 | HOSE, PNO | Page-09.9 | 242 |
| 308254320001 | HOSE, PNO | Page-09.9 | 205 |
| 308254385001 | HOSE, PNO | Page-09.7 | 224 |
| 308254470001 | HOSE, PNO | Page-09.7 | 221 |
| 308254760001 | HOSE, PNO | Page-09.7 | 213 |
| 308276900001 | HOSE, PNO | Page-09.5 | 231 |
| 308332205001 | HOSE, PNO | Page-09.9 | 208 |
| 308332350001 | HOSE, PNO | Page-09.7 | 215 |
| 308354065001 | HOSE, PNO | Page-09.7 | 206 |
| 308354400001 | HOSE, PNO | Page-09.7 | 219 |
| 308354970001 | HOSE, PNO | Page-09.7 | 225 |
| 308432165001 | HOSE, PNO | Page-09.11 | 210 |
| 308432410001 | HOSE, PNO | Page-09.9 | 217 |
| 377770506001 | CLIP, PLASTIC | Page-02.9 | 042 |
| 377770506001 | CLIP, PLASTIC | Page-04.47 | 010 |
| 377770506001 | CLIP, PLASTIC | Page-08.35 | 054 |
| 377770642201 | HORN | Page-08.21 | 045 |
| 377771216201 | BRACKET, JACK TOP JOINT | Page-04.65 | 196 |
| 377771217101 | BRACKET, JACK UNDER JOINT | Page-04.65 | 199 |
| 377771218401 | BRACKET, JACK CONNECT. ASM. | Page-04.65 | 009 |
| 377771437001 | PLASTIC CLIP, EB. 03. 203_3, 6 * 150MM | Page-09.9 | 121 |
| 377771438001 | CLAMP, CABLE TIES | Page-01.157 | 040 |
| 377771438001 | CLAMP, CABLE TIES | Page-09.9 | 120 |
| 377772068001 | VIN LICENSE PLATE | Page-06.65 | 200 |
| 377772111001 | PLATE, ENGINE NO | Page-06.67 | 009 |
| 377772165101 | HARNESS, CONNECTOR (BODY-FOG LAMP) | Page-08.7 | 108 |
| 377772165101 | HARNESS, CONNECTOR (BODY-FOG LAMP) | Page-08.7 | 128 |
| 377772165101 | HARNESS, CONNECTOR (BODY-FOG LAMP) | Page-08.9 | 082 |
| 377772222101 | NUT, M18X1. 5 - T12 | Page-09.9 | 035 |
| 377773168051 | RELAY, POWER | Page-08.31 | 014 |
| 377773168051 | RELAY, POWER | Page-08.31 | 441 |
| 377773364051 | SILENCER (432 407 01 20) | Page-09.11 | 018 |
| 377773482001 | FITTING, ELBOW M22-T16 | Page-09.9 | 104 |

ISUZU CITIPORT AT E6 Parts List

| Part Number | Description | Page | Poz.No |
|--------------------|------------------------------------|-------------|---------------|
| 377773750001 | TEST P. M16X1, 5 | Page-09.11 | 039 |
| 377773819001 | CONNECTOR | Page-09.9 | 076 |
| 377774064001 | FITTING, T 3xt8 | Page-09.7 | 075 |
| 377774279101 | JACK SPARE WHEEL, WHEEL BOLT LEVER | Page-04.65 | 008 |
| 377774299101 | INSULATION TAPE | Page-07.11 | 091 |
| 377774400001 | SEAL (HW52-001) | Page-06.41 | 064 |
| 377774401001 | LOCKING WIRE | Page-06.41 | 063 |
| 377774544101 | LOCK FACE, DOOR | Page-06.47 | 001 |
| 377774814001 | VALVE KEY | Page-04.65 | 011 |
| 377775093001 | PLUG, RUBBER | Page-08.33 | 027 |
| 377775561001 | BRIEFCASE | Page-04.65 | 016 |
| 377775847001 | SCREW | Page-06.3 | 115 |
| 377776003001 | TYRE PUFFING TOOL | Page-04.65 | 017 |
| 377777211001 | FITTING, STRAIGHT M16-T8 | Page-09.11 | 100 |
| 377777212001 | P. I. UNIONS, STRAIGHT M16-T10 | Page-09.7 | 094 |
| 377777214001 | P. I. UNIONS, STRAIGHT M22-T8 | Page-09.11 | 079 |
| 377777215001 | P. I. UNIONS, STRAIGHT M22-T10 | Page-09.11 | 101 |
| 377777216001 | CONNECTOR, M22-T12 | Page-09.11 | 089 |
| 377777223001 | FITTING, ELBOW M22-T12 | Page-09.7 | 097 |
| 377777227001 | FITTING M22 - 2xM16 | Page-09.9 | 072 |
| 377777842301 | LAMP ASM. RR PARK STOP FARPLAS | Page-08.15 | 033 |
| 377777843201 | LAMP ASM, REAR SIGNAL | Page-08.15 | 032 |
| 377777844201 | LAMP ASM, REAR FOG | Page-08.15 | 030 |
| 377777845201 | LAMP ASM, REAR REVERSE | Page-08.15 | 031 |
| 377779030001 | HANDLE | Page-07.35 | 270 |
| 377779030001 | HANDLE | Page-07.35 | 271 |
| 377779030001 | HANDLE | Page-07.35 | 272 |
| 377779030001 | HANDLE | Page-07.35 | 273 |
| 377779030001 | HANDLE | Page-07.35 | 275 |
| 377779030001 | HANDLE | Page-07.35 | 276 |
| 377779030001 | HANDLE | Page-07.35 | 277 |
| 377779050001 | FITTING, T M22-2xM16 | Page-09.7 | 093 |
| 377779733001 | WITH PULL RING | Page-09.9 | 032 |
| 377779879001 | CLAMP, HOSE | Page-01.25 | 148 |
| 377779880001 | CLAMPING, HOSE DIAMETER 18 | Page-01.25 | 147 |
| 377780778101 | SHEET, EXHAUST OUTLET | Page-06.35 | 006 |
| 377780841001 | FLANGE, DEF SENSOR CONNECTION | Page-01.167 | 004 |
| 387001364001 | SEALING TAPE | Page-06.29 | 039 |
| 387001486001 | BUZZER | Page-08.23 | 211 |
| 387001626101 | STRIKE PLATE SHEET | Page-06.17 | 034 |
| 387001692001 | RUBBER STOPPER SMALL | Page-07.25 | 026 |
| 387001692001 | RUBBER STOPPER SMALL | Page-07.33 | 036 |
| 387001882101 | PLUG | Page-07.31 | 057 |
| 387001934001 | LABEL, TURBO ENGINE CAUTION, ENG | Page-06.67 | 006 |
| 387001947001 | SOLENOID VALVE | Page-09.11 | 046 |
| 387002375101 | BRACKET, FIRE TUBE CONNECT. | Page-08.59 | 016 |
| 387002428101 | STICKER | Page-06.65 | 252 |
| 387002469001 | HEADLAMP, LONG WITH PARK LAMP | Page-08.7 | 104 |
| 387002469001 | HEADLAMP, LONG WITH PARK LAMP | Page-08.7 | 124 |
| 387002471001 | DIPPED BEAM HEAD LAMP | Page-08.7 | 109 |

ISUZU CITIPORT AT E6 Parts List

| Part Number | Description | Page | Poz.No |
|--------------------|--------------------------------|-------------|---------------|
| 387002471001 | DIPPED BEAM HEAD LAMP | Page-08.11 | 129 |
| 387002547001 | CAP, RUBBER | Page-08.7 | 105 |
| 387002547001 | CAP, RUBBER | Page-08.7 | 110 |
| 387002547001 | CAP, RUBBER | Page-08.7 | 125 |
| 387002547001 | CAP, RUBBER | Page-08.7 | 130 |
| 387003056001 | TANK, OIL, HYD STEERING | Page-04.59 | 017 |
| 387003179001 | PIPE, Ø40 | Page-08.47 | 003 |
| 387003180001 | PIPE | Page-08.47 | 002 |
| 387003366001 | STICKER, EMERGENCY KEY ENGLISH | Page-06.67 | 011 |
| 387003556001 | CLIP | Page-04.61 | 010 |
| 387004318001 | SMALL O-RING-SIDEMARKER | Page-08.13 | 047 |
| 387004869001 | EMERGENCY HAMMER | Page-06.41 | 061 |
| 387004870001 | HOLDER, EMERGENCY HAMMER | Page-06.41 | 062 |
| 387004904051 | 3 WAY MOTOR CONTROL VALVE | Page-08.35 | 033 |
| 387005008201 | DRAWBAR | Page-04.65 | 008 |
| 387006137001 | GASKET | Page-07.27 | 017 |
| 387006179001 | BOLT, M12X1.75X50 | Page-04.49 | 008 |
| 387006231001 | SPECIAL BOLT | Page-07.35 | 060 |
| 387007003001 | COVER, TANK, HYD. WHEEL | Page-04.59 | 002 |
| 387007004001 | STRAINER, OIL TANK | Page-04.59 | 005 |
| 387007005001 | DIPSTICK | Page-04.59 | 008 |
| 387007746001 | SCREW | Page-07.41 | 106 |
| 387009721001 | ROD, LEVELLING VALVE | Page-09.11 | 040 |
| 387009936001 | VALVE V3. 22. 1 | Page-04.63 | 010 |
| 387009958001 | WRENCH, WHEEL | Page-04.65 | 007 |
| 387010446001 | LAMP, ENGINE LIGHT | Page-08.29 | 125 |
| 387012341001 | CLAMP | Page-02.13 | 044 |
| 387012681001 | LICENSE PLATE, MODEL NO | Page-06.65 | 210 |
| 387013160101 | PARKING LAMP, SIDE | Page-08.13 | 045 |
| 387013436001 | CLIP | Page-07.11 | 211 |
| 387013748101 | RING, TANK CONNECT. | Page-09.7 | 030 |
| 387014000001 | CLAMP (NORMA) | Page-02.9 | 024 |
| 387014152001 | CLIP, METAL SHEET | Page-02.11 | 030 |
| 387014152001 | CLIP, METAL SHEET | Page-04.61 | 005 |
| 387014152001 | CLIP, METAL SHEET | Page-08.39 | 106 |
| 387014152001 | CLIP, METAL SHEET | Page-09.9 | 176 |
| 387014581001 | P. I. UNION, STRAIGHT, M14-T08 | Page-09.9 | 115 |
| 387015504001 | COVER | Page-07.13 | 207 |
| 387016247001 | P. I. R-D. ELBOW, M22-T8 TK. | Page-09.7 | 090 |
| 387017580001 | CLAMP, Ø28 | Page-04.55 | 041 |
| 387018088001 | NIPPLE | Page-08.33 | 010 |
| 387018088001 | NIPPLE | Page-08.33 | 013 |
| 387018088001 | NIPPLE | Page-08.33 | 016 |
| 387018198001 | WEDGE, MASK SET DISTANCE | Page-06.3 | 067 |
| 387018215001 | PUMP ASM, WASHER TANK | Page-08.5 | 078 |
| 387018545001 | RUBBER BELLOW | Page-08.5 | 050 |
| 387018591001 | CLAMP(NORMA) 50-70 | Page-02.9 | 025 |
| 387018823001 | GROMMET | Page-08.51 | 017 |
| 387019003001 | TANK, AIR 30 LT | Page-09.7 | 028 |
| 387019529001 | FRP WEATHERSTRIP | Page-07.45 | 102 |

ISUZU CITIPORT AT E6 Parts List

| Part Number | Description | Page | Poz.No |
|--------------|--|------------|--------|
| 387019611101 | INFORMATION PANEL | Page-08.57 | 003 |
| 387019764001 | FOG LIGHT MICRO DE, H3 24 V, FITTING | Page-08.9 | 080 |
| 387019822001 | T PIPE, PR. VALVE | Page-01.25 | 049 |
| 387020203101 | SHEET, PARTS RIGHT | Page-11.11 | 012 |
| 387020203101 | SHEET, PARTS RIGHT | Page-11.13 | 005 |
| 387020204101 | SHEET, LEFT | Page-11.11 | 011 |
| 387020204101 | SHEET, LEFT | Page-11.13 | 004 |
| 387020210001 | FIXING PLUG, LCD FRP | Page-07.13 | 205 |
| 387020539001 | CLIP, SEAT PAD | Page-07.15 | 150 |
| 387020547201 | HANDLE, ALUMINIUM | Page-07.35 | 081 |
| 387020596001 | BRACKET, DOWN, SINGLE PASSENGER SEAT | Page-07.35 | 015 |
| 387020601001 | ARMREST, 125 DEGREE | Page-07.35 | 083 |
| 387020634201 | BRACKET, COMPRESSOR | Page-09.9 | 050 |
| 387020639101 | GROMMET STEERING PIPE | Page-04.57 | 027 |
| 387020641101 | BRACKET, GROMMET | Page-04.57 | 028 |
| 387020649101 | PIPE, STEERING BOX, PRESSURE 1 | Page-04.55 | 018 |
| 387020706001 | BUSHING, STABILIZER REAR | Page-05.11 | 080 |
| 387020706001 | BUSHING, STABILIZER REAR | Page-05.11 | 093 |
| 387020725001 | PIPE, STEERING BOX, PRESSURE 1 | Page-04.57 | 015 |
| 387020806001 | T BOLT, M12 | Page-01.29 | 035 |
| 387021465001 | HANDLE | Page-06.13 | 120 |
| 387021605001 | CLIP, JOINT | Page-07.17 | 090 |
| 387021607001 | FITTING, STRAIGHT M16-T16 | Page-09.11 | 105 |
| 387021629001 | STABILIZER, REAR Ø45 | Page-05.11 | 091 |
| 387021630001 | STABILIZER, REAR Ø45 | Page-05.11 | 092 |
| 387021686201 | TANK, AIR 3 LT | Page-09.9 | 023 |
| 387021710001 | DIGITAL CLOCK | Page-08.57 | 001 |
| 387021802001 | SHEET, LOWER FUEL TANK CAP | Page-06.29 | 031 |
| 387022025001 | CLIP, PANEL, NATUREL | Page-07.11 | 203 |
| 387022025001 | CLIP, PANEL, NATUREL | Page-07.31 | 063 |
| 387022032001 | SCREWDRIVER, STAR-FLAT | Page-04.65 | 009 |
| 387022543001 | WIPER BLADES | Page-08.5 | 070 |
| 387022557001 | RAIN GUTTER PROFILE, DRIVER WINDOW | Page-06.43 | 020 |
| 387022644101 | SCULPTURE IN THE THRESHOLD, MOVING ARM R | Page-09.3 | 010 |
| 387022651101 | SCULPTURE IN THE THRESHOLD, MOVING ARM R | Page-09.3 | 013 |
| 387022659001 | BLOCK, ARMREST | Page-06.17 | 025 |
| 387022659001 | BLOCK, ARMREST | Page-06.55 | 026 |
| 387022659001 | BLOCK, ARMREST | Page-06.59 | 005 |
| 387022659001 | BLOCK, ARMREST | Page-09.3 | 005 |
| 387022660001 | PISTON, PADDED SWITCH HORIZONTAL STROKE | Page-06.59 | 063 |
| 387022660001 | PISTON, PADDED SWITCH HORIZONTAL STROKE | Page-09.3 | 063 |
| 387022663001 | PISTON, NOT PADDED SWITCH HORIZONTAL STR | Page-06.59 | 065 |
| 387022671001 | BRUSH, MQ MIDDLE DOOR, ASM | Page-06.43 | 031 |
| 387022672001 | RUBBER, MIDDLE DOOR | Page-06.43 | 030 |
| 387022710101 | LAMP, FOG | Page-08.9 | 003 |
| 387022717201 | LAMP, SIDE SIGNAL, WITH LED | Page-08.13 | 050 |
| 387023202001 | PIN, M5 SCREW | Page-07.17 | 089 |
| 387023227101 | RING, FUEL LEAKAGE FUEL NECK | Page-01.29 | 044 |
| 387023250001 | BUSHING, STABILIZER REAR | Page-05.11 | 105 |
| 387023454001 | BRACKET, STABILIZER BUSHING HOLDER | Page-05.11 | 095 |

ISUZU CITIPORT AT E6 Parts List

| Part Number | Description | Page | Poz.No |
|--------------|-----------------------------|------------|--------|
| 387023466001 | ELBOW, FRONT DOOR | Page-06.55 | 025 |
| 387023466001 | ELBOW, FRONT DOOR | Page-06.57 | 025 |
| 387023466001 | ELBOW, FRONT DOOR | Page-06.61 | 025 |
| 387023637001 | BUTTON SET, ENGINE | Page-08.29 | 130 |
| 387023899001 | PLUG, FEMALE | Page-08.7 | 106 |
| 387023899001 | PLUG, FEMALE | Page-08.7 | 111 |
| 387023899001 | PLUG, FEMALE | Page-08.9 | 083 |
| 387023900001 | SOCKET | Page-08.7 | 107 |
| 387023900001 | SOCKET | Page-08.7 | 112 |
| 387023900001 | SOCKET | Page-08.9 | 084 |
| 387023912001 | MEMBRAN, HUMIDITY REMOVER | Page-08.17 | 043 |
| 387023913001 | CORD, RING, Ø4x352MM | Page-08.17 | 042 |
| 387023932001 | KIT, MEMBRAN, CORD | Page-08.17 | 041 |
| 387024818001 | STICKER, BATTERY BOX | Page-06.67 | 270 |
| 387024991001 | RETAINER | Page-06.55 | 033 |
| 387024991001 | RETAINER | Page-06.57 | 033 |
| 387024991001 | RETAINER | Page-06.61 | 033 |
| 387024992001 | BOLT, PLASTIC, BLACK | Page-06.55 | 034 |
| 387024992001 | BOLT, PLASTIC, BLACK | Page-06.57 | 034 |
| 387024992001 | BOLT, PLASTIC, BLACK | Page-06.61 | 034 |
| 387025004201 | PROFILE ASM. FRONT DOOR TOP | Page-06.55 | 023 |
| 387025004201 | PROFILE ASM. FRONT DOOR TOP | Page-06.59 | 023 |
| 387025004201 | PROFILE ASM. FRONT DOOR TOP | Page-06.61 | 023 |
| 387025006201 | ABS, DOOR TOP COVER LEFT | Page-06.55 | 020 |
| 387025006201 | ABS, DOOR TOP COVER LEFT | Page-06.59 | 020 |
| 387025006201 | ABS, DOOR TOP COVER LEFT | Page-06.61 | 020 |
| 387025507001 | AIR DIFFUSER | Page-07.31 | 012 |
| 387025508001 | AIR DIFFUSER | Page-07.31 | 011 |
| 387025670001 | GROMMET | Page-08.51 | 019 |
| 387025671001 | GROMMET | Page-01.27 | 206 |
| 387025671001 | GROMMET | Page-08.51 | 018 |
| 387026601001 | COVER, SCREW 4, 2 | Page-07.21 | 221 |
| 387026601001 | COVER, SCREW 4, 2 | Page-07.29 | 056 |
| 387026601001 | COVER, SCREW 4, 2 | Page-08.57 | 014 |
| 387026628001 | BUTTON, ENGINE | Page-08.29 | 717 |
| 387026629001 | BUTTON, LIGHT | Page-08.29 | 716 |
| 387026630001 | BUTTON SET | Page-08.29 | 715 |
| 387026791101 | VALVE, HAND BRAKE, HB1142 | Page-09.9 | 019 |
| 387027099001 | STICKER, EMERGENCY EXIT | Page-06.65 | 250 |
| 387027176001 | POLYURETHANE, HAND RAIL | Page-07.35 | 291 |
| 387027176001 | POLYURETHANE, HAND RAIL | Page-07.39 | 290 |
| 387027584001 | ADAPTOR, Y 22/22/18 | Page-08.33 | 023 |
| 387027584001 | ADAPTOR, Y 22/22/18 | Page-08.37 | 035 |
| 387027740001 | GROMMET | Page-06.55 | 035 |
| 387027740001 | GROMMET | Page-06.59 | 035 |
| 387027740001 | GROMMET | Page-06.61 | 035 |
| 387028003201 | LAMP, GABARITE FRONT | Page-08.9 | 080 |
| 387028004201 | LAMP, GABARITE, RR | Page-08.15 | 090 |
| 387028005201 | DAYTIME RUNNING LIGHT | Page-08.9 | 140 |
| 387028006301 | SIGNAL, FRONT W/ LED | Page-08.7 | 100 |

ISUZU CITIPORT AT E6 Parts List

| Part Number | Description | Page | Poz.No |
|--------------|------------------------------------|------------|--------|
| 387028006301 | SIGNAL, FRONT W/ LED | Page-08.7 | 120 |
| 387028122001 | LATCH, TRUNK LID | Page-06.11 | 035 |
| 387028123001 | LOCK | Page-06.11 | 036 |
| 387028158001 | RUBBER SEAL | Page-06.9 | 930 |
| 387028202101 | HINGE, ENGINE COMPARTMENT LID | Page-06.15 | 017 |
| 387028421001 | BRACKET, TANK DISCHARGE | Page-09.11 | 052 |
| 387028487001 | BRACKET, FUEL TANK | Page-01.31 | 109 |
| 387028541001 | ADAPTOR Y, 23/23/23 | Page-08.37 | 031 |
| 387028543101 | WIPER WATER TANK | Page-08.5 | 075 |
| 387028715001 | JACK ASM. | Page-04.65 | 007 |
| 387029382001 | GROMMET | Page-02.3 | 016 |
| 387029463001 | GROMMET, LEAK TIGHT CLOSURE | Page-09.7 | 202 |
| 387030082401 | NUT, M18X1. 5, DIN 980/V | Page-05.7 | 049 |
| 387030153101 | BRACKET, PIPE | Page-08.33 | 026 |
| 387030249101 | TAP, AIR DISCHARGE WITHOUT SWITCH | Page-09.7 | 021 |
| 387030340051 | GEAR BOX, BEVEL | Page-04.49 | 005 |
| 387030364001 | RUBBER PLUG | Page-08.39 | 053 |
| 387030907101 | DAMPER, TAILGATE | Page-06.15 | 026 |
| 387031007001 | CLIP | Page-07.21 | 218 |
| 387031532001 | TANK, AIR 40 LT | Page-09.7 | 029 |
| 387031548151 | ENGINE, ISB6, 7E6 280B | Page-01.73 | 001 |
| 387031751001 | SHAFT, CARDAN | Page-04.5 | 001 |
| 387031999001 | SHOCK ABSORBER, LUGGAGE CARRIER | Page-06.11 | 027 |
| 387032054101 | DOOR ARM AND LOCK ASM. CLOSED DOOR | Page-07.27 | 008 |
| 387032313001 | VALVE, MECHANICAL | Page-08.37 | 040 |
| 387032433001 | BRACKET, DTRL, FIXING | Page-08.9 | 141 |
| 387032670001 | BUMPER, REAR, LEFT | Page-06.7 | 043 |
| 387032672001 | BUMPER, FRONT, LEFT | Page-06.7 | 041 |
| 387032674101 | LID, RIGHT HEADLAMP | Page-06.3 | 090 |
| 387032675101 | LID, LEFT HEADLAMP | Page-06.3 | 091 |
| 387032676001 | MASK, FRONT, RIGHT CORNER | Page-06.3 | 005 |
| 387032680101 | ROOF, FRONT | Page-06.3 | 010 |
| 387032691101 | BRACKET, LAMP, HOLDER, RIGHT | Page-08.7 | 103 |
| 387032695101 | GLASS, REAR | Page-06.39 | 002 |
| 387032700101 | GLASS, FRONT DOOR TOP, RIGHT | Page-06.39 | 050 |
| 387032719101 | GLASS, ELECTRICALLY ACTUATED | Page-06.41 | 006 |
| 387032812101 | HANDRAIL, FRONT COVER | Page-07.39 | 030 |
| 387032813001 | HANDRAIL, LEFT, FRONT | Page-07.35 | 035 |
| 387032814001 | HANDRAIL | Page-07.35 | 036 |
| 387032819001 | HANDRAIL | Page-07.35 | 046 |
| 387032827001 | HANDRAIL | Page-07.35 | 045 |
| 387032828001 | HANDRAIL | Page-07.35 | 049 |
| 387032892001 | HANDRAIL | Page-07.39 | 034 |
| 387032905001 | HANDRAIL, LEFT, DISABLED AREA | Page-07.35 | 037 |
| 387032951151 | PODIUM WITH MULTIC II | Page-08.3 | 010 |
| 387032952101 | ROD, STEERING MECH | Page-04.51 | 004 |
| 387032953001 | ROD, STEERING MECH | Page-04.47 | 002 |
| 387032956101 | ROD ARM | Page-04.49 | 003 |
| 387032985301 | FUEL TANK, ASM. | Page-01.25 | 001 |
| 387032986051 | VALVE, PRESSURE LIMITING | Page-09.9 | 011 |

ISUZU CITIPORT AT E6 Parts List

| Part Number | Description | Page | Poz.No |
|--------------|------------------------------------|-------------|--------|
| 387033008201 | FRP, LEFT WHEEL TOP | Page-07.19 | 151 |
| 387033010101 | FRP, LEFT SIDE PANEL 1 | Page-07.19 | 153 |
| 387033011201 | FRP, LEFT SIDE PANEL 2 | Page-07.19 | 154 |
| 387033012201 | FRP, LEFT SIDE PANEL 3 | Page-07.19 | 155 |
| 387033013401 | FRP, LEFT SIDE PANEL 4 | Page-07.19 | 156 |
| 387033014301 | RFP, RIGHT SIDE PANEL FRONT | Page-07.15 | 157 |
| 387033015201 | RFP, RIGHT SIDE PANEL, CENTER | Page-07.15 | 158 |
| 387033019201 | FRP, ENGINE CHAMBER | Page-07.19 | 161 |
| 387033025301 | FRP, DRIVER'S TOP CABIN | Page-07.13 | 003 |
| 387033027001 | FRP, MIRROR | Page-07.13 | 005 |
| 387033029201 | FRP, FRONT ROOF LID | Page-07.13 | 007 |
| 387033030101 | ABS, LEFT A POLE | Page-07.19 | 008 |
| 387033031101 | ABS, RIGHT A POLE | Page-07.15 | 009 |
| 387033032001 | ABS, LEFT B POLE | Page-07.19 | 010 |
| 387033034401 | TORPEDO, DOOR ASM. | Page-07.27 | 007 |
| 387033035201 | DASHBOARD, UPPER | Page-07.31 | 010 |
| 387033036101 | FRP, DASHBOARD FRONT COVER | Page-07.31 | 013 |
| 387033038101 | FRP, DASHBOARD UPPER COVER | Page-07.31 | 014 |
| 387033039401 | FRP, DASHBOARD DOOR | Page-07.27 | 009 |
| 387033061101 | FRP, INNER TOP CORNER RIGHT 1 | Page-07.15 | 051 |
| 387033062101 | FRP, INNER TOP CORNER RIGHT 2 | Page-07.15 | 052 |
| 387033063101 | FRP, DOOR TOP | Page-07.15 | 053 |
| 387033064101 | FRP, INNER TOP CORNER RIGHT 3 | Page-07.15 | 054 |
| 387033065101 | FRP, INNER TOP CORNER RIGHT 4 | Page-07.15 | 055 |
| 387033067101 | FRP, INNER TOP CORNER RIGHT 5 | Page-07.15 | 056 |
| 387033072001 | ABS, AIR FUNNEL OUTLET TYPE 1 | Page-07.41 | 100 |
| 387033073001 | ABS, AIR FUNNEL OUTLET TYPE 2 | Page-07.43 | 101 |
| 387033076301 | LIGHTING PROFILE, AIR DUCT RIGHT 1 | Page-07.43 | 002 |
| 387033079201 | LIGHTING PROFILE, AIR DUCT LEFT 2 | Page-07.41 | 028 |
| 387033081101 | FRP, INNER TOP CORNER LEFT 1 | Page-07.19 | 057 |
| 387033082101 | FRP, INNER TOP CORNER LEFT 2 | Page-07.19 | 058 |
| 387033083101 | FRP, INNER TOP CORNER LEFT 3 | Page-07.19 | 059 |
| 387033084101 | FRP, INNER TOP CORNER LEFT 4 | Page-07.19 | 067 |
| 387033085101 | FRP, INNER TOP CORNER LEFT 5 | Page-07.19 | 068 |
| 387033096301 | ALMN. GROUP, AIR DUCT RIGHT | Page-07.43 | 001 |
| 387033097301 | ALMN. GROUP, AIR DUCT LEFT | Page-07.41 | 026 |
| 387033098101 | PC LENS, AIR DUCT ALMN. RIGHT | Page-07.43 | 005 |
| 387033099101 | PC LENS, AIR DUCT ALMN. LEFT | Page-07.41 | 029 |
| 387033100001 | PVC COVER, AIR FUNNEL RIGHT | Page-07.41 | 006 |
| 387033101001 | PVC COVER, AIR FUNNEL LEFT | Page-07.41 | 030 |
| 387033115701 | FRAME ASM. FRONT PANEL | Page-11.11 | 001 |
| 387033156001 | SHROUD, FAN | Page-02.3 | 009 |
| 387033367301 | CARCASS, FRONT ROOF | Page-11.9 | 010 |
| 387033437151 | HOSE, ENGINE WATER INLET | Page-02.13 | 008 |
| 387033479051 | ENGINE, HYDRAULIC | Page-01.153 | 012 |
| 387033495101 | HINGE ASSEMBLY | Page-01.159 | 037 |
| 387033504101 | HINGE ASSEMBLY | Page-01.159 | 054 |
| 387033504101 | HINGE ASSEMBLY | Page-01.159 | 058 |
| 387033504101 | HINGE ASSEMBLY | Page-01.159 | 063 |
| 387033532101 | HINGE ASSEMBLY | Page-01.157 | 019 |

ISUZU CITIPORT AT E6 Parts List

| Part Number | Description | Page | Poz.No |
|--------------|--|-------------|--------|
| 387033535001 | PIPE, STEERING BOX, PRESSURE 1 | Page-04.57 | 019 |
| 387033538051 | MOUNT, CIRCULAR, ENGINE | Page-01.103 | 005 |
| 387033550001 | PIPE, AIR INTAKE | Page-01.25 | 033 |
| 387033553001 | PIPE, STEERING BOX, PRESSURE 1 | Page-04.57 | 020 |
| 387033564251 | HOSE, INTERCOOLER, WITH RESTRAINING RING | Page-01.43 | 003 |
| 387033578001 | BRACKET, LINK TO TRANSMISSION | Page-03.5 | 002 |
| 387033589001 | BUMPER, REAR, RIGHT EDGE | Page-06.5 | 070 |
| 387033590001 | BUMPER, REAR, LEFT EDGE | Page-06.5 | 071 |
| 387033599051 | FILTER, AIR INTAKE | Page-01.53 | 001 |
| 387033600051 | CLAMP, AIR FILTER | Page-01.53 | 002 |
| 387033601051 | INDICATOR | Page-01.53 | 003 |
| 387033604001 | INTERCOOLER | Page-02.5 | 003 |
| 387033607151 | HOSE, TRANSMISSION CONNECTION | Page-02.9 | 005 |
| 387033612101 | PIPE, TRANSMISSION ENTRY | Page-02.9 | 006 |
| 387033617001 | CLAMP | Page-02.9 | 011 |
| 387033618001 | BRACKET, LINK TO TRANSMISSION | Page-03.5 | 003 |
| 387033629251 | HOSE, RADIATOR INLET | Page-02.9 | 001 |
| 387033744101 | HOSE, AIR INTAKE | Page-01.55 | 003 |
| 387033753201 | HINGE ASSEMBLY | Page-01.157 | 020 |
| 387033754101 | HINGE ASSEMBLY | Page-01.159 | 021 |
| 387033755101 | HINGE ASSEMBLY | Page-01.159 | 055 |
| 387033755101 | HINGE ASSEMBLY | Page-01.159 | 059 |
| 387033755101 | HINGE ASSEMBLY | Page-01.159 | 064 |
| 387033760001 | SELF DRILLING SCREW, 4. 8X19 | Page-08.21 | 046 |
| 387033760001 | SELF DRILLING SCREW, 4. 8X19 | Page-08.33 | 100 |
| 387033787101 | HINGE ASSEMBLY | Page-01.159 | 039 |
| 387033895001 | SHEET, STEERING COLUMN | Page-11.5 | 170 |
| 387033896001 | LICENSE PLATE, BELLOWS TOP | Page-05.3 | 002 |
| 387033897001 | SHEET, LOWER PROTECTION | Page-11.5 | 162 |
| 387033937101 | SHEET | Page-11.5 | 180 |
| 387034009301 | HINGE, DRIVER DOOR | Page-07.33 | 029 |
| 387034021101 | BRACKET I, HINGE | Page-07.33 | 033 |
| 387034023001 | BRACKET III, HINGE | Page-07.33 | 035 |
| 387034134101 | PITMAN ARM | Page-04.49 | 001 |
| 387034235101 | ABS, COVER EMERGENCY EXIT LID | Page-07.11 | 081 |
| 387034236201 | ROOF MOULDING, ALMN. PROFILE | Page-07.19 | 084 |
| 387034240001 | AIR INTAKE, AIR CONDITIONER | Page-07.17 | 085 |
| 387034241001 | GRILLE, AIR INTAKE AIR CONDITIONER | Page-07.17 | 086 |
| 387034242001 | AL PROFILE BEAD, AIR INTAKE AIR CONDITIO | Page-07.17 | 087 |
| 387034243001 | FILTER, AIR INTAKE | Page-07.17 | 088 |
| 387034245001 | ILLUMINATION, DOOR INNER | Page-08.19 | 001 |
| 387034250001 | LOUDSPEAKER, INSIDE VEHICLE | Page-07.45 | 036 |
| 387034250001 | LOUDSPEAKER, INSIDE VEHICLE | Page-07.45 | 041 |
| 387034254001 | MAINTENANCE ROOM LID, FRONT | Page-06.11 | 001 |
| 387034257201 | BUMPER, REAR | Page-06.13 | 007 |
| 387034287001 | SHEET PART | Page-06.11 | 003 |
| 387034304001 | SHEET PART | Page-06.11 | 037 |
| 387034322001 | LOCK LEVERS | Page-06.11 | 002 |
| 387034323001 | HINGE ASSEMBLY, BUMPER | Page-06.11 | 004 |
| 387034325001 | LOCK FACE | Page-06.11 | 005 |

ISUZU CITIPORT AT E6 Parts List

| Part Number | Description | Page | Poz.No |
|--------------|--|------------|--------|
| 387034327001 | LOCK | Page-06.11 | 006 |
| 387034408101 | HOSE, STEERING RETURN 01 | Page-04.53 | 013 |
| 387034410101 | HOSE, STEERING PRESSURE 01 | Page-04.53 | 011 |
| 387034413101 | PIPE, STEERING 01 | Page-04.53 | 001 |
| 387034414101 | PIPE, STEERING 02 | Page-04.53 | 002 |
| 387034417001 | LICENSE PLATE, BELLOWS JOINT | Page-05.7 | 032 |
| 387034423001 | CONNECTOR, Ø22 / Ø22 | Page-08.39 | 038 |
| 387034424001 | ADAPTOR, HOSE, Ø38-Ø22 | Page-08.37 | 037 |
| 387034425001 | NUT, WHEEL M22X1. 5 DIN 74361 | Page-04.63 | 014 |
| 387034439001 | BOLT, M24x 2x230 DIN 960 | Page-05.3 | 015 |
| 387034440101 | NUT, M24X2 DIN 934 | Page-05.3 | 017 |
| 387034480001 | SHEET BRACKET | Page-07.45 | 016 |
| 387034482001 | LOUDSPEAKER, INSIDE VEHICLE | Page-07.45 | 017 |
| 387034483001 | PLEXI COVER, REAR TOP FRP | Page-07.21 | 084 |
| 387034492201 | ABS COVER, POLE LEFT 1 | Page-07.21 | 072 |
| 387034493201 | ABS COVER, POLE RIGHT 2 | Page-07.15 | 073 |
| 387034494201 | ABS COVER, POLE LEFT 2 | Page-07.21 | 074 |
| 387034495301 | ABS COVER, POLE RIGHT 3 | Page-07.15 | 075 |
| 387034496301 | ABS COVER, POLE LEFT 3 | Page-07.21 | 076 |
| 387034497201 | ABS COVER, POLE 4 | Page-07.15 | 077 |
| 387034499201 | ABS COVER, POLE RIGHT 5 | Page-07.15 | 078 |
| 387034540001 | HOSE, PUMP OUTLET | Page-08.41 | 058 |
| 387034575001 | TIRE, TUBELESS, 275/70 R22. 5 | Page-04.63 | 007 |
| 387034578001 | HUDCAP, 22. 5x8. 25-165 | Page-04.63 | 002 |
| 387034581101 | MAINTENANCE ROOM LID | Page-06.13 | 012 |
| 387034582101 | MAINTENANCE ROOM LID | Page-06.15 | 013 |
| 387034583101 | MAINTENANCE ROOM LID | Page-06.13 | 014 |
| 387034584101 | MAINTENANCE ROOM LID | Page-06.13 | 071 |
| 387034607201 | ABS COVER, POLE RIGHT 6 | Page-07.15 | 079 |
| 387034608101 | FRP COVER, RR EDGE RIGHT | Page-07.15 | 069 |
| 387034609001 | ABS, CABIN INNER COVER | Page-07.19 | 012 |
| 387034614001 | FIXED GLASS, DRIVER | Page-06.41 | 010 |
| 387034615101 | GLASS ACTUATING MECHANISM | Page-06.41 | 011 |
| 387034616001 | MOVABLE GLASS, DRIVER | Page-06.41 | 012 |
| 387034617101 | RESISTANCE CABLE, ELECTRIC DRIVER GLASS | Page-06.41 | 013 |
| 387034618101 | BRCKT LOWER ALMN. LIGHTING PROF. CONNECT | Page-07.43 | 011 |
| 387034618101 | BRCKT LOWER ALMN. LIGHTING PROF. CONNECT | Page-07.45 | 032 |
| 387034619001 | BRACKET, UPPER | Page-07.43 | 012 |
| 387034619001 | BRACKET, UPPER | Page-07.45 | 033 |
| 387034620001 | CARCASS BOTTOM, DRIVER WINDOW | Page-06.41 | 014 |
| 387034624401 | INSULATION SET, OUTSIDE ENGINE ROOM | Page-07.5 | 012 |
| 387034625001 | INSULATION SET, RIGHT SIDE PANEL BOTTOM | Page-07.5 | 006 |
| 387034626101 | INSULATION SET, LEFT SIDE PANEL BOTTOM | Page-07.5 | 007 |
| 387034627101 | INSULATION SET, RIGHT SIDE PANEL TOP | Page-07.5 | 004 |
| 387034628001 | INSULATION SET, LEFT SIDE PANEL TOP | Page-07.5 | 005 |
| 387034629201 | INSULATION SET, INSIDE AIR FUNNEL | Page-07.5 | 008 |
| 387034631101 | FRP, RR TRIPLE SEAT SIDE | Page-07.15 | 162 |
| 387034688201 | PLATE, ENGINE CHAMBER SIDE COVER | Page-06.27 | 013 |
| 387034718251 | HOSE, AIR INTAKE | Page-01.55 | 001 |
| 387034721001 | AIR BELLOW, FRONT SUSPENSION | Page-05.3 | 004 |

ISUZU CITIPORT AT E6 Parts List

| Part Number | Description | Page | Poz.No |
|--------------|------------------------------------|-------------|--------|
| 387034726051 | SUSPENSION, FRONT INDEPENDENT | Page-05.5 | 000 |
| 387034728001 | AIR BELLOW, REAR SUSPENSION | Page-05.7 | 025 |
| 387034735051 | REAR AXLE ASM | Page-05.9 | 000 |
| 387034755051 | SEONSOR, LEVEL, TANK CMP | Page-02.9 | 014 |
| 387034762001 | ABS, RIGHT BLOWING | Page-07.27 | 041 |
| 387034768001 | SHEET, DRIVER CONSOLE | Page-07.29 | 003 |
| 387034769001 | COVER, DRIVER SIDE | Page-07.29 | 004 |
| 387034770001 | ABS, WINDOW SIDE | Page-07.29 | 005 |
| 387034772101 | DRIVER CABINET | Page-07.27 | 015 |
| 387034775001 | ABS, DRIVER CABINET | Page-07.27 | 045 |
| 387034776101 | BRACKET, DRIVER CABIN TOP MOUNTING | Page-07.27 | 046 |
| 387034777101 | ABS, UMBRELLA STAND | Page-07.27 | 042 |
| 387034778001 | ABS, DRIVER CABINET | Page-07.27 | 043 |
| 387034780101 | WINDOW, DRIVER'S CAB | Page-07.29 | 038 |
| 387034781001 | GLASS, DRIVER | Page-07.29 | 039 |
| 387034784051 | FAN, RADIATOR | Page-01.153 | 001 |
| 387034808001 | FITTING, ELBOW, M10 -T8 TK | Page-09.11 | 074 |
| 387034822201 | PLATE, HEATER LEFT SIDE | Page-06.29 | 001 |
| 387034829301 | PLATE, BASE FRONT | Page-06.29 | 003 |
| 387034830201 | PLATE, BASE FRONT CORNER | Page-06.29 | 004 |
| 387034831201 | PLATE, BASE CENTER | Page-06.29 | 005 |
| 387034833101 | PLATE, WHEEL TOP COVER | Page-06.29 | 006 |
| 387034834101 | PLATE, CORNER COVER | Page-06.29 | 007 |
| 387034838201 | PLATE, LEFT OUTER SIDE | Page-06.35 | 001 |
| 387034840201 | PLATE, ROOF LEFT | Page-06.35 | 003 |
| 387034841201 | PLATE, ROOF RIGHT | Page-06.35 | 004 |
| 387034842601 | FRAME, RR PANEL ASM. | Page-11.13 | 001 |
| 387034855001 | PIPE, HEATER | Page-08.41 | 024 |
| 387034860101 | PLATE, RR WHEEL INTER COVER | Page-06.29 | 011 |
| 387034864001 | BRACKET, SIDE CONNECTION | Page-07.27 | 040 |
| 387034865101 | ARM, STABILIZER | Page-05.11 | 081 |
| 387034880101 | ARM, STABILIZER | Page-05.11 | 075 |
| 387034890401 | HARNES, TAIL | Page-08.29 | 012 |
| 387034894051 | MOUNTING | Page-01.105 | 012 |
| 387034896001 | BRACKET, ENGINE REAR | Page-01.103 | 009 |
| 387034897001 | BRACKET, ENGINE REAR BODY | Page-01.103 | 017 |
| 387034900201 | PLATE, HEATER RIGHT SIDE | Page-06.29 | 012 |
| 387034929201 | ENGINE COPMARTMENT LID, REAR TOP | Page-06.15 | 009 |
| 387034945201 | CORNER, LEFT, REAR, LAMP HOLDER | Page-06.5 | 081 |
| 387034946201 | CORNER, RIGHT, REAR, LAMP HOLDER | Page-06.5 | 080 |
| 387034972001 | HUB, FAN | Page-01.153 | 003 |
| 387034986401 | BOLT, M18X1. 5X130, DIN 960 | Page-05.7 | 040 |
| 387034998101 | HOSE, INTERCONNECT. | Page-08.33 | 021 |
| 387034999101 | HOSE, INTERCONNECT. | Page-08.33 | 022 |
| 387035013101 | AIR COND. T24902365 WHITE | Page-08.51 | 001 |
| 387035027001 | PUMP | Page-08.37 | 036 |
| 387035031101 | PLATE, WHEEL RR COVER | Page-06.29 | 015 |
| 387035032101 | PLATE, WHEEL TOP COVER LEFT | Page-06.29 | 018 |
| 387035043001 | INSULATION, FUEL TANK, TOP | Page-01.25 | 027 |
| 387035045001 | FUEL FILLING HOSE | Page-01.29 | 040 |

ISUZU CITIPORT AT E6 Parts List

| Part Number | Description | Page | Poz.No |
|--------------|------------------------------------|-------------|--------|
| 387035057001 | VALVE SELENOID | Page-02.11 | 010 |
| 387035058101 | LID, FUEL INLET ROOM | Page-06.11 | 020 |
| 387035059201 | BODY, FUEL INLET ROOM | Page-06.13 | 019 |
| 387035060101 | HINGE | Page-06.11 | 016 |
| 387035072001 | HOSE, UREA TANK WATER INLET | Page-02.9 | 021 |
| 387035092001 | PROFILE DIRECT OFF | Page-06.55 | 039 |
| 387035092001 | PROFILE DIRECT OFF | Page-06.57 | 039 |
| 387035092001 | PROFILE DIRECT OFF | Page-06.63 | 039 |
| 387035093001 | PROFILE, RUBBER | Page-06.63 | 038 |
| 387035094051 | DISTANCE SENSOR | Page-09.11 | 016 |
| 387035096001 | CONNECTION PROFILE | Page-06.55 | 037 |
| 387035096001 | CONNECTION PROFILE | Page-06.57 | 037 |
| 387035096001 | CONNECTION PROFILE | Page-06.63 | 037 |
| 387035099001 | CONNECTION PROFILE | Page-06.55 | 036 |
| 387035099001 | CONNECTION PROFILE | Page-06.57 | 036 |
| 387035099001 | CONNECTION PROFILE | Page-06.63 | 036 |
| 387035105001 | BRACKET, ECAS REAR CONNECTION | Page-09.3 | 054 |
| 387035109101 | HOSE, COMPRESSOR INTAKE | Page-09.9 | 026 |
| 387035116001 | BRACKET, WIPER TANK | Page-08.5 | 081 |
| 387035128101 | HINGE, RADIATOR ROOM CAP | Page-06.15 | 018 |
| 387035147001 | BRACKET, LCD FRP | Page-07.13 | 015 |
| 387035161001 | HOSE, RADIATOR VENTILATION | Page-02.9 | 015 |
| 387035162001 | HOSE, ENGINE VENTILATION | Page-02.9 | 016 |
| 387035164151 | LOUDSPEAKER | Page-08.19 | 002 |
| 387035198001 | HOSE | Page-08.5 | 088 |
| 387035214201 | PLATE, ENGINE CHAMBER FRONT BORROM | Page-06.27 | 001 |
| 387035240101 | ROLL BAR | Page-01.157 | 015 |
| 387035245001 | SHEET, RIGHT SIDE | Page-01.159 | 053 |
| 387035265001 | VALVE, VENTILATION | Page-01.167 | 005 |
| 387035267001 | COVER, DEF TANK | Page-01.167 | 060 |
| 387035275101 | TANK ASM. OIL 8LT | Page-01.157 | 001 |
| 387035295201 | PLATE, BASE CENTER DOOR SIDE | Page-06.31 | 017 |
| 387035296201 | PLATE, BASE CENTER DOOR SIDE | Page-06.29 | 020 |
| 387035297101 | PLATE, BASE CENTER CORNER | Page-06.29 | 021 |
| 387035298101 | PLATE, BASE, BEHIND CENTER WHEEL | Page-06.29 | 022 |
| 387035299101 | PLATE, BASE CENTER 2 | Page-06.29 | 023 |
| 387035300201 | PLATE, BASE CENTER RIGHT | Page-06.29 | 024 |
| 387035301101 | PLATE, FRONT DOOR FRONT | Page-06.29 | 025 |
| 387035305001 | BOLT, M24x2x160 DIN 960 | Page-01.103 | 014 |
| 387035306101 | NUT, M24x2 DIN 934 | Page-01.103 | 016 |
| 387035309101 | INPECTION HATCH ASM. | Page-07.23 | 021 |
| 387035310101 | INPECTION HATCH ASM. | Page-07.23 | 020 |
| 387035317001 | BOLT, IMBUS M18x1. 5x110 DIN 912 | Page-05.3 | 018 |
| 387035319001 | CLIP, VALVE HOSE | Page-04.63 | 011 |
| 387035320051 | HOSE, VALVE | Page-04.63 | 012 |
| 387035323001 | SHEET, AIR CONDITIONER | Page-08.51 | 006 |
| 387035335201 | SHEET, RIGHT SIDE | Page-01.157 | 035 |
| 387035385201 | HINGE, SHORT TYPE | Page-06.17 | 029 |
| 387035390201 | RADIATOR CHAMBER LID | Page-06.15 | 010 |
| 387035401051 | ECU, ECAS | Page-08.27 | 040 |

ISUZU CITIPORT AT E6 Parts List

| Part Number | Description | Page | Poz.No |
|--------------|-----------------------------------|------------|--------|
| 387035402151 | ECU, EBS | Page-08.27 | 600 |
| 387035403101 | SHEET, LEFT SIDE PANEL | Page-06.35 | 007 |
| 387035412201 | PLATE, BATTERY CHAMBER LEFT | Page-06.27 | 008 |
| 387035413201 | PLATE, BATTERY CHAMBER RIGHT | Page-06.27 | 009 |
| 387035419301 | MDF, PLYWOOD BASE | Page-07.3 | 001 |
| 387035428101 | PLATE, BASE RR DOOR | Page-06.29 | 027 |
| 387035443001 | RETAINER, FUEL LINE | Page-01.31 | 108 |
| 387035478101 | HANDRAIL, CLOTHES TREE | Page-07.27 | 050 |
| 387035479201 | HANDRAIL, GLASS CABINET | Page-07.27 | 049 |
| 387035480101 | HANDRAIL, CABIN BACK | Page-07.29 | 051 |
| 387035485001 | BRACKET | Page-06.15 | 033 |
| 387035491101 | BRACKET | Page-06.17 | 031 |
| 387035495001 | BUSHING | Page-06.17 | 030 |
| 387035510001 | ABS, MOUNTING COVER | Page-07.27 | 053 |
| 387035511001 | REPAIR KIT, SELENOID VALVE | Page-09.3 | 054 |
| 387035516201 | BATTERY DRAWER | Page-06.19 | 045 |
| 387035556101 | HEATER, FRONT | Page-08.47 | 001 |
| 387035578101 | BRACKET, EXHAUST BODY | Page-11.3 | 179 |
| 387035589401 | PLATE, RR TRIPLE SIDE COVER | Page-06.27 | 011 |
| 387035616101 | SHEET, RIGHT REAR OUTER | Page-06.35 | 005 |
| 387035621101 | DAMPER | Page-06.19 | 046 |
| 387035644001 | PIPE, AIR INTAKE | Page-01.25 | 146 |
| 387035674001 | UREA LINE, INLET | Page-04.61 | 002 |
| 387035675001 | UREA LINE, RETURN | Page-04.61 | 003 |
| 387035676001 | UREA LINE, PRESSURE | Page-04.61 | 004 |
| 387035714201 | WIPER INNER ARMS | Page-08.5 | 010 |
| 387035752101 | HOSE, BRAKE BELLOWS 1P MM M18x1.5 | Page-09.9 | 035 |
| 387035759101 | WOPER ARM, LEFT | Page-08.5 | 030 |
| 387035762101 | WIPER ARM, RIGHT | Page-08.5 | 040 |
| 387035779101 | BAND | Page-06.15 | 024 |
| 387035793201 | HEATER, UNDER DRIVER | Page-08.45 | 001 |
| 387035809201 | HEATER, REAR | Page-08.45 | 004 |
| 387035824001 | BRACKET | Page-06.15 | 038 |
| 387035835301 | HOSE, STEERING PUMP RETURN | Page-04.53 | 009 |
| 387035862001 | COVER, HEATER | Page-08.33 | 005 |
| 387035885001 | HOSE, RETURN | Page-08.37 | 030 |
| 387035896001 | HOSE, REAR HEATER INLET | Page-08.43 | 043 |
| 387035899001 | BRACKET, RADIATOR TOP | Page-02.5 | 005 |
| 387035900001 | BRACKET, RADIATOR TOP | Page-02.5 | 006 |
| 387035935001 | PLEXIGLASS | Page-07.29 | 006 |
| 387035948001 | HOSE, REAR HEATER RETURN | Page-08.39 | 044 |
| 387035960001 | HOSE, REAR HEATER INLET | Page-08.39 | 046 |
| 387035967001 | BRACKET | Page-06.17 | 032 |
| 387035978001 | BRACKET, HEATER | Page-08.37 | 048 |
| 387035979101 | BRACKET, AIR COND. | Page-08.53 | 014 |
| 387035980001 | CLIP, D10 | Page-01.39 | 112 |
| 387035981001 | CLIP, D12 | Page-01.39 | 111 |
| 387035991001 | HOSE, REAR HEATER INLET | Page-08.37 | 047 |
| 387036016001 | HOSE, HEATER | Page-08.39 | 051 |
| 387036017001 | HOSE, REAR HEATER | Page-08.39 | 052 |

ISUZU CITIPOINT AT E6 Parts List

| Part Number | Description | Page | Poz.No |
|--------------|--------------------------------------|-------------|--------|
| 387036055001 | HANDRAIL | Page-07.39 | 032 |
| 387036066001 | HANDRAIL | Page-07.35 | 038 |
| 387036068001 | LOCK FACE | Page-06.15 | 050 |
| 387036075001 | HANDRAIL | Page-07.39 | 048 |
| 387036079001 | HANDRAIL | Page-07.37 | 043 |
| 387036092001 | WASHER | Page-02.3 | 010 |
| 387036093001 | PROFILE, TIRE, RIGHT | Page-06.43 | 004 |
| 387036094001 | PROFILE, TIRE, LEFT | Page-06.43 | 008 |
| 387036128001 | BRACKET, ENGINE MOUNT FRONT LEFT | Page-01.103 | 001 |
| 387036159101 | BRACKET, ENGINE MOUNT FRONT RIGHT | Page-01.103 | 002 |
| 387036186101 | BRACKET, LAMP, HOLDER, LEFT | Page-08.7 | 123 |
| 387036188101 | LAMP, PLATE | Page-08.15 | 040 |
| 387036200051 | CHECK VALVE | Page-09.7 | 012 |
| 387036228101 | PLATE, ENGINE CHAMBER FRONT LEFT | Page-06.27 | 015 |
| 387036248201 | PLATE, PRE HEATER ASM. | Page-06.27 | 016 |
| 387036261101 | PLATE, FRP, FRONT BASE CONNECT. | Page-06.29 | 033 |
| 387036262001 | SHEET, ENGINE ROOM LEFT CENTER | Page-06.29 | 034 |
| 387036324301 | PLATE, DRIVER WINDOW LOWER | Page-06.29 | 028 |
| 387036328001 | HOSE, PNO | Page-09.9 | 229 |
| 387036329101 | COVER, FRONT HEATER SUCTION | Page-08.47 | 008 |
| 387036339001 | HOSE, PNO | Page-09.9 | 230 |
| 387036349001 | HOSE, PNO | Page-09.9 | 228 |
| 387036371051 | VALVE, ABS MODULATOR | Page-09.9 | 009 |
| 387036373151 | BRAKE SIGNAL TRANSMITTER-2 | Page-09.9 | 008 |
| 387036374151 | VALVE, EBS FRONT AXLE | Page-09.9 | 005 |
| 387036376051 | VALVE, ECAS FRONT | Page-09.9 | 014 |
| 387036377051 | VALVE, ECAS REAR | Page-09.11 | 015 |
| 387036404001 | BRACKET, LAYOUT CONNECTION | Page-09.9 | 055 |
| 387036406001 | BRACKET, LAYOUT CONNECTION | Page-09.9 | 057 |
| 387036408001 | BRACKET | Page-08.37 | 091 |
| 387036409001 | BRACKET, LAYOUT CONNECTION | Page-09.9 | 059 |
| 387036412001 | WASHER, SPECIAL | Page-09.9 | 061 |
| 387036413001 | BRACKET, BRAKE HOSE CONNECTION RIGHT | Page-09.9 | 064 |
| 387036414001 | BRACKET, BRAKE HOSE CONNECTION LEFT | Page-09.9 | 065 |
| 387036477001 | QUICK COUPLING, MALE INSERT R1/4 | Page-09.11 | 045 |
| 387036496001 | BRACKET | Page-08.37 | 049 |
| 387036537101 | PLATE, LID | Page-06.27 | 017 |
| 387036539101 | FUEL TANK BODY, 300 LT | Page-01.25 | 002 |
| 387036559001 | HOSE, RETURN | Page-08.37 | 103 |
| 387036563001 | SHEET, RIGHT SIDE | Page-06.37 | 001 |
| 387036570001 | HOSE, HEATER B PILLAR | Page-08.33 | 018 |
| 387036571001 | HOSE, HEATER B PILLAR | Page-08.33 | 017 |
| 387036610101 | BRACKET, AIR COND. | Page-08.51 | 015 |
| 387036622001 | COVER, EMERGENCY EXIT TAP | Page-06.7 | 161 |
| 387036625101 | TAP HEAD PROTECTION | Page-06.7 | 162 |
| 387036625101 | TAP HEAD PROTECTION | Page-07.15 | 014 |
| 387036676001 | HOSE, FRONT HEATER | Page-08.33 | 012 |
| 387036677001 | HOSE, FRONT HEATER | Page-08.33 | 011 |
| 387036686101 | HOSE, FRONT HEATER | Page-08.33 | 008 |
| 387036687001 | HOSE, FRONT HEATER | Page-08.33 | 009 |

ISUZU CITIPORT AT E6 Parts List

| Part Number | Description | Page | Poz.No |
|--------------|--------------------------------------|-------------|--------|
| 387036705001 | FLOAT, FUEL TANK | Page-01.29 | 003 |
| 387036853201 | FRO, ADBLUE FILLIN CHAMBER LID | Page-06.15 | 015 |
| 387036888101 | SUCTION SET, FUEL TANK | Page-01.25 | 004 |
| 387036928001 | BRACKET, HANGER | Page-01.157 | 096 |
| 387036929001 | ROD ARM | Page-05.3 | 007 |
| 387036930001 | ROD ARM | Page-05.3 | 008 |
| 387036931001 | V ROD | Page-05.7 | 034 |
| 387036932001 | L-ROD | Page-05.7 | 035 |
| 387036973001 | HOSE | Page-08.33 | 006 |
| 387036974001 | HOSE | Page-08.33 | 007 |
| 387037054001 | ADAPTOR, FRONT HEATER | Page-08.47 | 006 |
| 387037237101 | BRACKET | Page-07.25 | 025 |
| 387037244001 | LOCK FACE | Page-07.25 | 023 |
| 387037258201 | HEATER, CENTER FRONT | Page-08.45 | 002 |
| 387037259201 | HEATER, CENTER RR | Page-08.45 | 003 |
| 387037266001 | ADAPTOR, Y, 16-16-10 | Page-02.11 | 052 |
| 387037309001 | BRACKET ASY. STEERING WHEEL OIL SUMP | Page-04.59 | 016 |
| 387037360001 | CONNECTOR, FUEL | Page-01.33 | 005 |
| 387037360001 | CONNECTOR, FUEL | Page-01.37 | 017 |
| 387037360001 | CONNECTOR, FUEL | Page-01.37 | 021 |
| 387037360001 | CONNECTOR, FUEL | Page-01.39 | 025 |
| 387037361001 | MALE TUBE END, FUEL | Page-01.33 | 003 |
| 387037361001 | MALE TUBE END, FUEL | Page-01.33 | 007 |
| 387037361001 | MALE TUBE END, FUEL | Page-01.33 | 011 |
| 387037361001 | MALE TUBE END, FUEL | Page-01.37 | 019 |
| 387037361001 | MALE TUBE END, FUEL | Page-01.39 | 023 |
| 387037364001 | CONNECTOR, FUEL | Page-01.33 | 036 |
| 387037364001 | CONNECTOR, FUEL | Page-01.37 | 048 |
| 387037364001 | CONNECTOR, FUEL | Page-01.37 | 052 |
| 387037364001 | CONNECTOR, FUEL | Page-01.39 | 056 |
| 387037365001 | MALE TUBE END, FUEL | Page-01.33 | 034 |
| 387037365001 | MALE TUBE END, FUEL | Page-01.33 | 038 |
| 387037365001 | MALE TUBE END, FUEL | Page-01.33 | 042 |
| 387037365001 | MALE TUBE END, FUEL | Page-01.37 | 046 |
| 387037365001 | MALE TUBE END, FUEL | Page-01.37 | 050 |
| 387037365001 | MALE TUBE END, FUEL | Page-01.39 | 054 |
| 387037367001 | CONNECTOR, FUEL | Page-01.33 | 010 |
| 387037367001 | CONNECTOR, FUEL | Page-01.33 | 013 |
| 387037368001 | CONNECTOR, FUEL | Page-01.33 | 041 |
| 387037368001 | CONNECTOR, FUEL | Page-01.33 | 044 |
| 387037500051 | PUMP, 22 CC, CCW HYDRALIC FAN DRIVE | Page-01.159 | 045 |
| 387037692001 | MASK, FRONT, LEFT CORNER | Page-06.3 | 006 |
| 387037693001 | MASK, FRONT, CENTER | Page-06.3 | 001 |
| 387037744051 | VALVE, AIR DRYER | Page-09.11 | 003 |
| 387037783001 | ELECTRICAL CURTAIN, FRONT GLASS | Page-08.57 | 007 |
| 387037784201 | CURTAIN, SIDE WINDOW | Page-08.57 | 008 |
| 387037793001 | GASKET, EXHAUST | Page-10.3 | 033 |
| 387037821001 | SPIGOT, SEDIMENTER | Page-01.41 | 005 |
| 387037832101 | HANDRAIL, ENGINE REGION | Page-07.35 | 053 |
| 387037857001 | BRACKET, EXHAUST CONNECTION | Page-11.9 | 014 |

ISUZU CITIPORT AT E6 Parts List

| Part Number | Description | Page | Poz.No |
|--------------------|---|-------------|---------------|
| 387037870001 | HANDRAIL, VERTICAL | Page-07.35 | 050 |
| 387037877101 | HANDRAIL, DBL, DISABLED SECTION | Page-07.35 | 044 |
| 387037879001 | PIPE, LOW PRESSURE I | Page-08.53 | 011 |
| 387037880001 | PIPE, HIGH PRESSURE II | Page-08.51 | 010 |
| 387037881001 | PIPE, LOW PRESSURE I | Page-08.53 | 013 |
| 387037882101 | PIPE, LOW PRESSURE I | Page-08.51 | 012 |
| 387037883001 | PIPE, HIGH PRESSURE DEFROSTER I | Page-08.51 | 008 |
| 387037886001 | PIPE, LOW PRESSURE DEFROSTER I | Page-08.51 | 009 |
| 387037904001 | PIPE, AIR INTAKE | Page-01.27 | 032 |
| 387037905001 | PIPE, AIR INTAKE | Page-01.29 | 030 |
| 387037907001 | BRACKET, ENGINE, FRONT RIGHT | Page-01.103 | 020 |
| 387037909001 | BRACKET, ENGINE, FRONT LEFT | Page-01.103 | 021 |
| 387037953101 | LOCK SLOT I, KESTAMID | Page-07.29 | 059 |
| 387037954101 | LOCK SLOT II, KESTAMID | Page-07.29 | 060 |
| 387037955101 | STOPPER, CESTAMIDE | Page-07.29 | 061 |
| 387037983001 | PVC, FRONT OF GLASS | Page-07.31 | 062 |
| 387038008101 | PIPE, AIR INTAKE | Page-01.25 | 104 |
| 387038009101 | PIPE, AIR INTAKE | Page-01.29 | 105 |
| 387038010101 | PIPE, AIR INTAKE | Page-01.25 | 106 |
| 387038020101 | BELT ASM. ADBLUE TANK | Page-01.167 | 050 |
| 387038170001 | DUST SEAL, PREHEATER ROOM | Page-06.15 | 021 |
| 387038175301 | DOOR ASM. RR WING | Page-06.49 | 020 |
| 387038177101 | WINDOW, FRONT DOOR RR WING DBL GLAZING | Page-06.49 | 004 |
| 387038178001 | PROFILE, RUBBER | Page-06.49 | 008 |
| 387038178001 | PROFILE, RUBBER | Page-06.51 | 008 |
| 387038179001 | PROFILE, RUBBER | Page-06.49 | 007 |
| 387038179001 | PROFILE, RUBBER | Page-06.51 | 007 |
| 387038181301 | DOOR ASM. FRONT WING | Page-06.49 | 001 |
| 387038184001 | FLAP, ASSY. | Page-06.49 | 009 |
| 387038184001 | FLAP, ASSY. | Page-06.51 | 009 |
| 387038185001 | PROFILE, RUBBER | Page-06.49 | 008 |
| 387038185001 | PROFILE, RUBBER | Page-06.51 | 008 |
| 387038186001 | PROFILE, RUBBER | Page-06.49 | 007 |
| 387038186001 | PROFILE, RUBBER | Page-06.51 | 007 |
| 387038188001 | HANDRAIL, DOOR | Page-06.49 | 010 |
| 387038188001 | HANDRAIL, DOOR | Page-06.51 | 010 |
| 387038190001 | ROD, DOOR, ASSY. | Page-06.49 | 011 |
| 387038190001 | ROD, DOOR, ASSY. | Page-06.51 | 011 |
| 387038191001 | ROD, DOOR, ASSY. | Page-06.49 | 011 |
| 387038191001 | ROD, DOOR, ASSY. | Page-06.51 | 011 |
| 387038192101 | GLASS, FRONT DOOR | Page-06.51 | 004 |
| 387038193101 | GLASS, MIDDLE DOOR | Page-06.51 | 004 |
| 387038196001 | LOWER BALL JOINT | Page-09.3 | 007 |
| 387038198001 | ROD | Page-09.3 | 009 |
| 387038200001 | CABLE, ROTATING ARM BACK OPENING SYSTEM | Page-09.3 | 011 |
| 387038203001 | CABLE, ROTATING ARM BACK OPENING SYSTEM | Page-09.3 | 014 |
| 387038204101 | PISTON MECHANISM GR ASM. FRONT DOOR | Page-09.3 | 001 |
| 387038210201 | PISTON MECHANISM GR ASM. CENTER RR DOOR | Page-06.59 | 001 |
| 387038210201 | PISTON MECHANISM GR ASM. CENTER RR DOOR | Page-06.61 | 001 |
| 387038212001 | RAINCOAT AND BRUSH | Page-06.43 | 001 |

ISUZU CITIPORT AT E6 Parts List

| Part Number | Description | Page | Poz.No |
|--------------|--|-------------|--------|
| 387038213001 | ALUMINIUM PROFILE | Page-06.43 | 032 |
| 387038214001 | COVER, FRONT DOOR BOTTOM | Page-06.55 | 019 |
| 387038214001 | COVER, FRONT DOOR BOTTOM | Page-06.57 | 019 |
| 387038214001 | COVER, FRONT DOOR BOTTOM | Page-06.61 | 019 |
| 387038215001 | ABS COVER, FRONT WING BOTTOM | Page-06.55 | 031 |
| 387038216001 | LOWER COVER RUBBER, PROFILE, FRONT WING | Page-06.55 | 032 |
| 387038217001 | COVER, REAR WING BOTTOM | Page-06.55 | 024 |
| 387038217001 | COVER, REAR WING BOTTOM | Page-06.57 | 024 |
| 387038217001 | COVER, REAR WING BOTTOM | Page-06.61 | 024 |
| 387038218001 | ABS COVER, REAR WING BOTTOM | Page-06.55 | 038 |
| 387038219001 | LOWER COVER RUBBER, PROFILE, REAR WING | Page-06.55 | 039 |
| 387038220001 | BRACKET, CRANK HANDLE BOTTOM | Page-06.55 | 015 |
| 387038220001 | BRACKET, CRANK HANDLE BOTTOM | Page-06.61 | 015 |
| 387038228001 | BRACKET, RIGHT | Page-06.3 | 150 |
| 387038310001 | ADAPTOR, Ø6 | Page-08.53 | 023 |
| 387038311101 | PROFILE, ENGINE SUPPORT | Page-11.5 | 120 |
| 387038312001 | FITTING | Page-08.53 | 022 |
| 387038347001 | BRACKET, LEFT | Page-06.3 | 151 |
| 387038357001 | MOUNT, LOWER | Page-06.3 | 160 |
| 387038368001 | HOSE, VALVE BYPASS | Page-08.37 | 032 |
| 387038370001 | HOSE, RETURN | Page-08.39 | 104 |
| 387038371001 | HOSE, VALVE OUTLET | Page-08.39 | 034 |
| 387038373001 | INSULATION SET, WINDSHIELD | Page-07.7 | 001 |
| 387038374001 | INSULATION SET, REAR GLASS | Page-07.5 | 003 |
| 387038375001 | PLUG 2 MM | Page-07.9 | 014 |
| 387038376001 | WASHER | Page-07.9 | 013 |
| 387038377301 | ALMN. LIGHTING PROFILE, AIR DUCT RIGHT 2 | Page-07.43 | 003 |
| 387038379101 | SPONGE, COVER | Page-07.43 | 107 |
| 387038380201 | ALMN. BLOWER PROFILE ASM. AIRDUCT RIGHT1 | Page-07.41 | 013 |
| 387038381201 | ALMN. BLOWER PROFILE ASM. AIRDUCT RIGHT2 | Page-07.43 | 018 |
| 387038382201 | ALMN. BLOWER PROFILE ASM. AIRDUCT LEFT1 | Page-07.41 | 034 |
| 387038383201 | ALMN. BLOWER PROFILE ASM. AIRDUCT LEFT2 | Page-07.41 | 039 |
| 387038429001 | HOSE, HEATER LEFT B PILLAR | Page-08.33 | 014 |
| 387038430001 | HOSE, HEATER LEFT B PILLAR | Page-08.33 | 015 |
| 387038431101 | INSULATION, HEATER PIPE | Page-08.33 | 020 |
| 387038434101 | INSULATION, HEATER PIPE | Page-08.33 | 025 |
| 387038435001 | HOSE, CENTER HEATER OUTGOING | Page-08.35 | 056 |
| 387038436001 | HOSE, MIDDLE HEATER RETURN | Page-08.35 | 057 |
| 387038442001 | HOSE, ENGINE RETURN | Page-08.35 | 029 |
| 387038443001 | HOSE, VALVE OUTLET | Page-08.33 | 028 |
| 387038485001 | COVER, REAR CAMERA, REAR MASK | Page-06.5 | 016 |
| 387038575001 | PLEXI COVER, FRONT ROOF | Page-07.13 | 013 |
| 387038586401 | HEADLAMP, RIGHT | Page-08.7 | 015 |
| 387038587401 | HEADLAMP, LEFT | Page-08.7 | 020 |
| 387038603001 | HOSE, PRESSURE LINE, HYDRAULIC | Page-01.157 | 052 |
| 387038606101 | BRACKET, HOSE, PRESSURE LINE | Page-01.157 | 013 |
| 387038609001 | HINGE ASSEMBLY | Page-01.157 | 095 |
| 387038622001 | BRACKET, FIRE EXTINGUISHER | Page-08.57 | 010 |
| 387038626001 | BRACKET, SIDE CURTAN | Page-08.57 | 012 |
| 387038630051 | DOSER (DOSING PUMP, UREA) | Page-04.61 | 001 |

ISUZU CITIPORT AT E6 Parts List

| Part Number | Description | Page | Poz.No |
|--------------------|---------------------------------|-------------|---------------|
| 387038660201 | HARNESS, EBERSPEACHER | Page-08.29 | 009 |
| 387038663001 | ROD END, RIGHT | Page-04.49 | 601 |
| 387038664001 | ROD END, LEFT | Page-04.49 | 600 |
| 387038672001 | PIPE, STEERING 03 | Page-04.53 | 003 |
| 387038673001 | PIPE, STEERING 04 | Page-04.53 | 004 |
| 387038676101 | HOSE, STEERING PRESSURE 02 | Page-04.53 | 012 |
| 387038678101 | HOSE, STEERING RETURN 02 | Page-04.53 | 014 |
| 387038679001 | PIPE, STEERING PRESSURE 02 | Page-04.53 | 006 |
| 387038680001 | PIPE, STEERING RETURN 02 | Page-04.53 | 008 |
| 387038681001 | CLIP | Page-01.39 | 114 |
| 387038681001 | CLIP | Page-02.11 | 041 |
| 387038681001 | CLIP | Page-04.57 | 025 |
| 387038704001 | HANDRAIL | Page-07.39 | 054 |
| 387038705001 | HANDRAIL | Page-07.35 | 039 |
| 387038707001 | LOCK | Page-06.17 | 042 |
| 387038709001 | ALUMINIUM PROFILE | Page-07.47 | 005 |
| 387038710001 | ALUMINIUM PROFILE | Page-07.47 | 006 |
| 387038713001 | DAMPER, REAR | Page-05.13 | 001 |
| 387038717001 | HANDLE ASM | Page-07.47 | 610 |
| 387038718001 | RAMP ASSY. UPPER | Page-07.47 | 600 |
| 387038721201 | PIPE, AIR INTAKE | Page-01.31 | 001 |
| 387038722101 | PIPE, AIR INTAKE | Page-01.33 | 004 |
| 387038723101 | PIPE, AIR INTAKE | Page-01.31 | 008 |
| 387038724101 | PIPE, AIR INTAKE | Page-01.35 | 012 |
| 387038725101 | PIPE, AIR INTAKE | Page-01.35 | 016 |
| 387038726101 | PIPE, AIR INTAKE | Page-01.35 | 020 |
| 387038727201 | PIPE, AIR INTAKE | Page-01.39 | 024 |
| 387038728201 | PIPE, AIR INTAKE | Page-01.39 | 028 |
| 387038729201 | PIPE, AIR INTAKE | Page-01.31 | 032 |
| 387038730101 | PIPE, AIR INTAKE | Page-01.31 | 035 |
| 387038731101 | PIPE, AIR INTAKE | Page-01.31 | 039 |
| 387038732101 | PIPE, AIR INTAKE | Page-01.35 | 043 |
| 387038733101 | PIPE, AIR INTAKE | Page-01.35 | 047 |
| 387038734101 | PIPE, AIR INTAKE | Page-01.35 | 051 |
| 387038751101 | PLATE, RR WHEEL COVER | Page-06.29 | 035 |
| 387038752501 | FRONT CONSOLE ASM. | Page-06.33 | 001 |
| 387038756201 | PLATE, LEFT RR WHEEL ASM. | Page-06.29 | 036 |
| 387038757001 | CLAMP | Page-10.3 | 014 |
| 387038758201 | PLATE, RIGHT RR OVER THE WHEEL | Page-06.29 | 037 |
| 387038761001 | GASKET, EXHAUST PIPE CONNECTION | Page-10.3 | 022 |
| 387038762001 | BRACKET, MOUNTING, DRIVER SEAT | Page-07.35 | 017 |
| 387038763001 | INSULATION, FRONT | Page-01.29 | 020 |
| 387038764001 | INSULATION, FRONT 2 | Page-01.29 | 021 |
| 387038765001 | INSULATION, MUDGUARD 1 | Page-01.29 | 022 |
| 387038766001 | INSULATION, MUDGUARD 2 | Page-01.29 | 023 |
| 387038767001 | INSULATION, BOTTOM, REAR | Page-01.29 | 024 |
| 387038768101 | PIPE, AIR INTAKE | Page-01.25 | 100 |
| 387038769101 | PIPE, AIR INTAKE | Page-01.25 | 101 |
| 387038772001 | ABS, FRONT | Page-07.19 | 163 |
| 387038773001 | ABS, REAR | Page-07.15 | 164 |

ISUZU CITIPORT AT E6 Parts List

| Part Number | Description | Page | Poz.No |
|--------------|---------------------------------------|-------------|--------|
| 387038774101 | PIPE, STEERING PRESSURE 01 | Page-04.53 | 005 |
| 387038775001 | PIPE, STEERING RETURN 01 | Page-04.53 | 007 |
| 387038779001 | BRAKE ACTUATOR, REAR | Page-04.3 | 001 |
| 387038783051 | ECU, MULTIPLEX NODE 33 | Page-08.29 | 900 |
| 387038784201 | HINGE, LONG TYPE | Page-06.15 | 028 |
| 387038789201 | HARNESS CAMERAS | Page-08.23 | 016 |
| 387038794001 | SCREW M6X1 | Page-06.13 | 047 |
| 387038802101 | MOUNTING KIT, TRIM | Page-08.53 | 002 |
| 387038803001 | MOUNTING KIT, ENGINE | Page-08.53 | 003 |
| 387038816001 | FLANGE | Page-07.35 | 064 |
| 387038818001 | HANDRAIL BRACKET, YELLOW RAL 1016 | Page-07.39 | 069 |
| 387038819001 | HANDRAIL BRACKET, YELLOW RAL 1016 | Page-07.39 | 067 |
| 387038820001 | CLAMP, YELLOW, RAL 1016 | Page-07.39 | 071 |
| 387038824001 | BRACKET, RADIATOR BOTTOM | Page-02.5 | 007 |
| 387038825001 | BRACKET, RADIATOR BOTTOM | Page-02.5 | 008 |
| 387038826001 | RADIATOR | Page-02.5 | 002 |
| 387038827001 | CLAMP | Page-07.39 | 072 |
| 387038829001 | PIPE, HEATER | Page-08.39 | 080 |
| 387038851001 | RADIATOR ABSORBER | Page-02.3 | 011 |
| 387038865301 | HARNESS, FRONT DOOR | Page-08.23 | 018 |
| 387038866301 | HARNESS, MIDDLE, RR DOOR | Page-08.23 | 019 |
| 387038868101 | PIPE, RETURN | Page-08.37 | 085 |
| 387038875001 | CLAMP | Page-01.43 | 005 |
| 387038887001 | DAMPER, FRONT | Page-05.3 | 006 |
| 387038890001 | SHEET, RIGHT SIDE | Page-01.157 | 028 |
| 387038894001 | WASHER, D24x4 DIN125/2 | Page-05.3 | 016 |
| 387038905001 | PIPE, REAR HEATER | Page-08.37 | 087 |
| 387038906101 | PIPE, RR HEATER | Page-08.37 | 088 |
| 387038907201 | BRACKET | Page-08.35 | 089 |
| 387038912001 | BRACKET | Page-08.35 | 090 |
| 387038953001 | PROFILE, RUBBER | Page-06.55 | 043 |
| 387038954001 | PROFILE DIRECT OFF | Page-06.55 | 042 |
| 387038955001 | DISTANCE ADJUSTMENT REGULATED | Page-06.55 | 014 |
| 387038955001 | DISTANCE ADJUSTMENT REGULATED | Page-06.57 | 014 |
| 387038955001 | DISTANCE ADJUSTMENT REGULATED | Page-06.61 | 014 |
| 387039022001 | CLOTH, DASHBOARD COVER | Page-07.31 | 065 |
| 387039023001 | INSULATION, SIDE PANEL 1 | Page-01.29 | 025 |
| 387039024001 | INSULATION, SIDE PANEL 2 | Page-01.29 | 026 |
| 387039027001 | PIPE, AIR INTAKE | Page-01.29 | 031 |
| 387039028001 | PLUG Ø8, PIPE, PREHEATER | Page-01.25 | 107 |
| 387039035001 | DEGAS BOTTLE LID | Page-02.13 | 013 |
| 387039036001 | DEGAS BOTTLE LID, 1 ATM | Page-02.9 | 012 |
| 387039040101 | WINDOW, FRT DOOR FRT WING DBL GLAZING | Page-06.49 | 004 |
| 387039041101 | CARCASS, DRIVER DOOR | Page-11.5 | 165 |
| 387039042201 | CARCASS, DRIVER DOOR | Page-11.5 | 166 |
| 387039044001 | LOCK KIT | Page-06.13 | 054 |
| 387039045001 | COVER, MAINTENANCE AIR CONDITIONER | Page-08.55 | 021 |
| 387039049001 | BRUSH ASSEMBLY, FRONT DOOR | Page-06.43 | 002 |
| 387039050001 | ALUMINIUM PROFILE, FRONT DOOR | Page-06.45 | 032 |
| 387039053001 | FRP, COVER | Page-06.19 | 053 |

ISUZU CITIPORT AT E6 Parts List

| Part Number | Description | Page | Poz.No |
|--------------|--|-------------|--------|
| 387039108001 | VINYL, RIGHT | Page-06.71 | 030 |
| 387039109001 | VINYL, LEFT | Page-06.71 | 031 |
| 387039115001 | STICKER, RISK OF FIRE | Page-06.69 | 080 |
| 387039131001 | LABEL, FUSE ENGLISH | Page-06.67 | 007 |
| 387039136001 | LABEL, 27, CITIPORT | Page-06.67 | 255 |
| 387039139001 | LABEL, WHEELCHAIR WARNING, ENGLISH | Page-06.69 | 017 |
| 387039141001 | LABEL, WHEELCHAIR | Page-06.67 | 018 |
| 387039143001 | LABEL, DISABLED PASSENGER | Page-06.67 | 021 |
| 387039209001 | PISTON, PADDED SWITCH 140 STROKE, LEFT | Page-09.3 | 065 |
| 387039225001 | DUST SEAL, BATTERY ROOM | Page-06.23 | 076 |
| 387039261001 | RUBBER PROFILE, FRONT DOOR | Page-06.45 | 030 |
| 387039313301 | PIPE ASSEMBLE | Page-08.35 | 055 |
| 387039327101 | SHEET | Page-06.13 | 072 |
| 387039388101 | COVER, RADIATOR HOUSING | Page-02.3 | 022 |
| 387039389001 | ISOLATION, RADIATOR | Page-02.3 | 023 |
| 387039390001 | ISOLATION, RADIATOR | Page-02.3 | 024 |
| 387039412001 | PROFILE, RUBBER | Page-06.55 | 038 |
| 387039412001 | PROFILE, RUBBER | Page-06.57 | 038 |
| 387039412001 | PROFILE, RUBBER | Page-06.63 | 042 |
| 387039418001 | HANDRAIL | Page-07.39 | 055 |
| 387039429001 | HINGE ASSEMBLY | Page-02.9 | 031 |
| 387039438001 | BRACKET | Page-06.17 | 075 |
| 387039441001 | LOCK FACE | Page-06.17 | 074 |
| 387039464001 | SIDE FRP, FRONT, LEFT | Page-06.7 | 920 |
| 387039465001 | HINGE ASSEMBLY | Page-01.157 | 017 |
| 387039466101 | HINGE ASSEMBLY | Page-01.159 | 018 |
| 387039500001 | LOGO, STEERING | Page-08.3 | 030 |
| 387039534101 | PLATE, BASE RR COVER | Page-06.29 | 013 |
| 387039594201 | PIPE, COMPRESSOR PRESSURE 01 | Page-09.9 | 177 |
| 387039596201 | PIPE, COMPRESSOR PRESSURE 03 | Page-09.11 | 179 |
| 387039603001 | INSULATION | Page-01.167 | 007 |
| 387039604001 | INSULATION | Page-01.167 | 008 |
| 387039605001 | INSULATION | Page-01.167 | 009 |
| 387039768001 | GROMMET, STEERING SHAFT | Page-04.47 | 005 |
| 387039769001 | BASE PLATE, GROMMET, STEERING SHAFT | Page-04.47 | 006 |
| 387039770001 | POLYAMIDE, GROMMET, STEERING SHAFT | Page-04.47 | 007 |
| 387039771051 | ECU, MULTIPLEXNODE 66 | Page-08.29 | 901 |
| 387039818001 | COVER, BELLOW UP | Page-06.19 | 070 |
| 387039893001 | WASHER | Page-04.49 | 007 |
| 387039919401 | HARNESS, HEATING REAR CONTROL | Page-08.29 | 032 |
| 387039928201 | CABLE, KM SENSOR | Page-08.29 | 030 |
| 387039941201 | FILLING PIPE, FUEL TANK | Page-01.29 | 041 |
| 387039948201 | CABLE, A/C-BATTERY CONN. | Page-08.31 | 034 |
| 387039978051 | CONNECTOR, INJECTOR, DPF | Page-02.9 | 046 |
| 387039984051 | RELAY, AIR INTAKE HEATER (120A) | Page-08.31 | 442 |
| 387040022301 | PIPE, VENTILATION, FUEL TANK | Page-01.27 | 205 |
| 387040023001 | SHEET, PROTECTION, FT VENTILATION | Page-01.27 | 207 |
| 387040118001 | STEERING BOX | Page-04.49 | 002 |
| 387040216101 | FRAME, RADIATOR RR GROUP | Page-11.7 | 005 |
| 387040271001 | SPIDER KIT | Page-04.47 | 500 |

ISUZU CITIPORT AT E6 Parts List

| Part Number | Description | Page | Poz.No |
|--------------|--|------------|--------|
| 387040276001 | HOSE, MIDDLE | Page-08.37 | 092 |
| 387040291001 | CLIP, Ø16 M8 | Page-02.9 | 048 |
| 387040344001 | PROFILE, HARNESS HOLDER | Page-11.7 | 006 |
| 387040391101 | GROMMET | Page-08.25 | 020 |
| 387040470001 | CONNECTOR, FUEL | Page-01.33 | 010 |
| 387040564001 | SET, TANK CAPS | Page-01.29 | 047 |
| 387040571201 | ACCELERATOR PEDAL | Page-01.23 | 010 |
| 387040615001 | BRACKET, ECAS FRONT UPPER CONNECTION | Page-09.11 | 063 |
| 387040616001 | BRACKET | Page-06.11 | 101 |
| 387040617001 | BRACKET | Page-06.11 | 102 |
| 387040618001 | BAND | Page-06.11 | 103 |
| 387040626001 | COVER, BLOWING AREA LEFT I | Page-07.45 | 112 |
| 387040722001 | PIPE, ASM. INTERCOOLER EXIT | Page-01.43 | 002 |
| 387040726001 | PIPE ASM. ENGINE WATER EXIT | Page-02.9 | 002 |
| 387040749051 | HOSE, ENGINE WATER OUTLET | Page-02.9 | 003 |
| 387040782101 | BRACKET, STABILIZER | Page-05.7 | 060 |
| 387040800601 | HARNESS, LEFT ROOF | Page-08.29 | 001 |
| 387040811001 | EMERGENCY EXIT CAP, ELECTRICAL | Page-06.25 | 001 |
| 387040820001 | GASKET, VENTILATION CAP | Page-06.25 | 010 |
| 387040846001 | PIPE, ASM. INTERCOOLER ENTRY | Page-01.43 | 001 |
| 387040873001 | PIPE, ASM. RADIATOR EXIT | Page-02.9 | 004 |
| 387040880001 | PIPE ASM. EXHAUST | Page-10.3 | 004 |
| 387040883001 | PIPE ASM. EXHAUST | Page-10.3 | 003 |
| 387040902001 | AIR UNTAKE ASM. | Page-01.55 | 021 |
| 387040904051 | ELBOW | Page-01.55 | 005 |
| 387041088001 | STICKER, EMERGENCY EXIT | Page-06.67 | 253 |
| 387041113001 | HOSE, AIR INTAKE | Page-01.55 | 007 |
| 387041118001 | HOSE, BYPASS LINE | Page-02.9 | 018 |
| 387041122001 | REEL, TOP OVERHEAD | Page-06.49 | 005 |
| 387041122001 | REEL, TOP OVERHEAD | Page-06.51 | 005 |
| 387041123001 | BRACKET | Page-06.49 | 006 |
| 387041124001 | SCREW | Page-06.51 | 005 |
| 387041126001 | HOSE, KARTER HAVALANDIRMA | Page-01.55 | 032 |
| 387041141101 | PACKAGE, SEAT SIDE | Page-07.35 | 086 |
| 387041234101 | COVER WINDOW, LAMINATED, FRT AND RR DOOR | Page-07.39 | 076 |
| 387041235201 | COVER WINDOW, LAMINATED CENTER DOOR FRT | Page-07.39 | 077 |
| 387041236101 | CVER WINDOW, LEFT RR WHEEL SEAT FRONT | Page-07.35 | 078 |
| 387041237101 | COVER WINDOW, CENT. DOOR RR &RR DOOR FRT | Page-07.39 | 079 |
| 387041250001 | PAD, RADIATOR INSULATION | Page-02.9 | 043 |
| 387041266001 | GROMMET | Page-08.51 | 025 |
| 387041268001 | TARP, DISABLED AREA | Page-07.3 | 005 |
| 387041283001 | PARKING SENSOR | Page-06.13 | 110 |
| 387041302001 | BRACKET, ENGINE START | Page-08.29 | 255 |
| 387041428001 | CABLE CANAL | Page-08.23 | 257 |
| 387041498001 | LOCK, SQUARE IETT | Page-07.25 | 024 |
| 387041515001 | HOSE, VALVE OUTLET PUMP INLET | Page-08.35 | 039 |
| 387041516201 | HOSE, ENGINE EXIT | Page-08.37 | 041 |
| 387041519001 | HARNESS, TAIL | Page-08.23 | 250 |
| 387041546001 | BRACKET, FIXING CABLE | Page-08.23 | 256 |
| 387041732201 | SPOILER, ROOF, REAR | Page-06.5 | 030 |

ISUZU CITIPORT AT E6 Parts List

| Part Number | Description | Page | Poz.No |
|--------------|--------------------------------------|-------------|--------|
| 387041820001 | ADAPTOR, ASSEMBLY AIR INTAKE | Page-01.55 | 004 |
| 387041859001 | FRAME, SILENCER HANGER | Page-10.3 | 009 |
| 387042079001 | HOSE, DILATATION WATER COMPLETION | Page-02.9 | 017 |
| 387042286101 | ABS, RIGHT B POLE | Page-07.15 | 011 |
| 387042288101 | ABS COVER, POLE RIGHT 1 | Page-07.15 | 071 |
| 387042294101 | SHEET, FRONT DOOR LEFT | Page-06.29 | 026 |
| 387042340101 | HOSE, STEERING PRESSURE | Page-04.53 | 040 |
| 387042387001 | DRIVER CONSOLE, WITH LOUDSPEAKER | Page-07.29 | 001 |
| 387042388001 | ABS COVER, DRIVER SIDE, LOUDSPEAKER | Page-07.29 | 002 |
| 387042620001 | TANK, ASM. EXPANSION | Page-02.9 | 009 |
| 387042690001 | PIPE, ASM. ENGINE WATER ENTRY | Page-02.9 | 007 |
| 387042753101 | FRAME ASM. FAN | Page-01.153 | 002 |
| 387042765001 | BRACKET | Page-02.9 | 045 |
| 387042778001 | HOSE, INJECTOR COOLING OUTGOING | Page-02.9 | 050 |
| 387042779001 | HOSE, INJECTOR COOLING RETURN | Page-02.9 | 051 |
| 387042796001 | PIPE, INJECTOR COOLING | Page-02.11 | 047 |
| 387042804001 | HOSE, ADBLUE HEATING | Page-02.9 | 019 |
| 387042808001 | HOSE, ADBLUE HEATING | Page-02.9 | 020 |
| 387042811001 | HOSE, ADBLUE HEATING | Page-02.9 | 049 |
| 387042812001 | HOSE, UREA TANK WATER RETURN | Page-02.9 | 022 |
| 387042820001 | HOSE | Page-02.11 | 053 |
| 387042821001 | HOSE, STEERING PRESSURE | Page-04.57 | 010 |
| 387042824001 | BRACKET | Page-02.11 | 054 |
| 387042825001 | HOSE, EGR VENTILATION | Page-02.9 | 055 |
| 387042842001 | BODY, DEF TANK | Page-01.167 | 002 |
| 387042912401 | HARNES, AIR COND. CONTROL | Page-08.29 | 033 |
| 387043045001 | NIPPLE | Page-09.9 | 077 |
| 387043084001 | SLIDING SHAFT | Page-04.47 | 505 |
| 387043110001 | HOSE, COMPRESSOR PRESSURE | Page-09.9 | 024 |
| 387043164001 | CENTERING BED ASM | Page-06.49 | 013 |
| 387043164001 | CENTERING BED ASM | Page-06.51 | 013 |
| 387043164001 | CENTERING BED ASM | Page-06.53 | 013 |
| 387043264001 | MASK, RR | Page-06.5 | 015 |
| 387043265001 | SPIDER | Page-04.5 | 051 |
| 387043266001 | HANGER KIT | Page-04.5 | 050 |
| 387043298001 | PIPE ASM. EXHAUST EXIT | Page-10.3 | 002 |
| 387043437001 | AIR INTAKE BOX | Page-06.27 | 012 |
| 387043575001 | HOSE, FUEL INTAKE | Page-01.39 | 134 |
| 387043576001 | HOSE, FUEL RETURN | Page-01.39 | 135 |
| 387043672001 | BRACKET, ECAS FRONT LOWER CONNECTION | Page-09.11 | 053 |
| 387043735001 | SERVO, MOTOR | Page-08.49 | 503 |
| 387043736001 | HEATING HEAT EXCHANGER | Page-08.49 | 502 |
| 387043737001 | RADIAL AIR BLOWER | Page-08.49 | 501 |
| 387043738001 | EVAPARATOR COIL CPL | Page-08.49 | 500 |
| 387043741001 | BRACKET, EBERSPACHER HARNES | Page-06.27 | 002 |
| 387043838101 | FRAME, LEFT HEADLAMP GROUP | Page-11.11 | 003 |
| 387043888001 | HEATING COIL ASM. | Page-08.45 | 503 |
| 387043889001 | RADIAL AIR BLOWER, KONVEKTA | Page-08.45 | 502 |
| 387043890001 | FRONT PLATE, KONVEKTA | Page-08.45 | 501 |
| 387043893001 | HEATER BODY, KONVEKTA | Page-08.45 | 500 |

ISUZU CITIPORT AT E6 Parts List

| Part Number | Description | Page | Poz.No |
|--------------|--|-------------|--------|
| 387043894001 | HEATER BODY | Page-08.45 | 505 |
| 387043895001 | FRONT PLATE | Page-08.45 | 504 |
| 387044018001 | HANDRAIL, FRONT DOOR ENTRY | Page-07.39 | 056 |
| 387044300001 | HEATING HEAT EXCHANGER | Page-08.45 | 520 |
| 387044301001 | COVER SHEET | Page-08.45 | 521 |
| 387044302001 | HEATER BODY | Page-08.45 | 522 |
| 387044303001 | VALVE, ECA | Page-08.45 | 523 |
| 387044304001 | VALVE, ECA | Page-08.45 | 524 |
| 387044626001 | ROD, SUPPORT | Page-06.19 | 100 |
| 387044682001 | BRACKET, UNDER LOCKER | Page-07.27 | 067 |
| 387044707001 | RING, METAL | Page-07.33 | 032 |
| 387044757051 | SWITCH DESTINATION/LIGHT SIGN | Page-08.3 | 010 |
| 387044952051 | TRANSMISSION ZF ECOLIFE 1200B | Page-03.3 | 001 |
| 387044984001 | HOSE, FUEL RETURN ASSEMBLY | Page-01.39 | 055 |
| 387045131001 | HEATING HEAT EXCHANGER | Page-08.45 | 540 |
| 387045132001 | COVER SHEET | Page-08.45 | 541 |
| 387045133001 | HEATER BODY | Page-08.45 | 542 |
| 387045134001 | ECA VALVE | Page-08.45 | 543 |
| 387045279001 | BRACKET, DIAGNOSTIC | Page-07.29 | 080 |
| 387045468001 | WINDSHIELD | Page-06.39 | 001 |
| 387046063001 | TOOLS TYPE 9 | Page-04.65 | 001 |
| 387046561001 | CONTROL UNIT, W/O HEATING E6 | Page-08.51 | 004 |
| 387046692001 | PROFILE, GLASS FIXING | Page-06.55 | 040 |
| 387046692001 | PROFILE, GLASS FIXING | Page-06.57 | 040 |
| 387046694001 | PROFILE, GLASS FIXING LONG | Page-06.63 | 040 |
| 387046700001 | PIPE, HOT WATER | Page-08.37 | 105 |
| 387046726001 | FRP, FRONT DOOR UPPER CLOSURE | Page-07.13 | 002 |
| 387046937001 | GLASS FIXING PART | Page-07.39 | 080 |
| 387047254001 | MIRROR | Page-07.13 | 700 |
| 387047258001 | BUTTON, DISABLED | Page-08.31 | 080 |
| 387047362101 | ISOLATION SET, TIRE UPPER SIDE PANELS | Page-07.7 | 009 |
| 387048405001 | FITTING, MALE M12-T8 | Page-09.7 | 082 |
| 387048886001 | RACOR, M12X1, 5 T8 | Page-09.7 | 084 |
| 387050021001 | V BELT, AIR CONDITIONER 2X17X1750 BANDED | Page-08.53 | 007 |
| 387050274001 | TYRE KIT, 275/70 R22, 5 | Page-04.63 | 007 |
| 388881883001 | GROMMET | Page-07.35 | 021 |
| 388881883001 | GROMMET | Page-07.45 | 108 |
| 388881883001 | GROMMET | Page-09.5 | 128 |
| 388882750201 | HANDLE, LUGGAGE DOOR | Page-06.13 | 044 |
| 388883158001 | GROMMET | Page-01.31 | 115 |
| 388883158001 | GROMMET | Page-07.47 | 010 |
| 388883726001 | MOTOR ASM, WIPER | Page-08.5 | 001 |
| 388884127101 | WATER INJ. PIPE | Page-08.5 | 127 |
| 388884941201 | BOLT | Page-07.35 | 004 |
| 388885938001 | FIRE EXTINGUISHER 6 KG | Page-08.57 | 011 |
| 388887550201 | HORN | Page-08.21 | 044 |
| 388889132001 | LAMP UNIT ASM, RED | Page-08.15 | 070 |
| 388889163101 | RUBBER BEARING | Page-07.35 | 065 |
| 509503017001 | WASHER | Page-01.153 | 018 |
| 509503017001 | WASHER | Page-10.3 | 027 |

ISUZU CITIPORT AT E6 Parts List

| Part Number | Description | Page | Poz.No |
|--------------|-------------------------------|-------------|--------|
| 509707030001 | CLIP | Page-09.7 | 119 |
| 509707031001 | CLAMP, PLASTIC | Page-09.9 | 118 |
| 585171002001 | PLIER | Page-04.65 | 010 |
| 894158155101 | BLOCK, AIR CHIMNEY BOTTOM | Page-01.43 | 004 |
| 894158155101 | BLOCK, AIR CHIMNEY BOTTOM | Page-02.9 | 023 |
| 894457277101 | HANGER ASM. EXHAUST, SILENCER | Page-01.153 | 009 |
| 894457277101 | HANGER ASM. EXHAUST, SILENCER | Page-10.3 | 028 |
| 894457278101 | HANGER ASM. EXHAUST, SILENCER | Page-01.153 | 008 |
| 894457278101 | HANGER ASM. EXHAUST, SILENCER | Page-10.3 | 029 |
| 897036333101 | CLIP, CABLE | Page-09.9 | 131 |
| 897359144001 | CLIP, WATER HOSE, DASH LWR | Page-04.53 | 022 |
| 909525556001 | CLIP | Page-04.57 | 021 |
| 922151217001 | SPACER, EXH TAIL | Page-01.153 | 007 |
| 922151217001 | SPACER, EXH TAIL | Page-10.3 | 030 |
| CM | SERVICE PARTS | Page-01.77 | 000 |
| CM102408 | CLAMP, V BAND | Page-01.131 | 001 |
| CM201351 | CLAMP, WIRE TIE | Page-01.67 | 001 |
| CM204048 | PLATE, COVER | Page-01.165 | 002 |
| CM215921 | COUPLING, PLAIN HOSE | Page-01.61 | 001 |
| CM2830559 | GASKET, OIL COOLER CORE | Page-01.57 | 013 |
| CM2831066 | COLLAR, SHAFT | Page-01.89 | 002 |
| CM2831077 | GASKET, FILTER HEAD | Page-01.57 | 012 |
| CM2835493 | SEAL, SPLIT RING | Page-01.51 | 005 |
| CM2835596 | CLAMP, V BAND | Page-01.51 | 006 |
| CM2836337 | PIN, PIVOT | Page-01.51 | 031 |
| CM2839711 | BUSHING | Page-01.51 | 023 |
| CM2839964 | SENSOR, TURBOCHARGER SPEED | Page-01.51 | 002 |
| CM2841493 | BEARING, TUR THRUST | Page-01.51 | 007 |
| CM2843113 | SCREW, SOCKET HEAD CAP | Page-01.51 | 008 |
| CM2843721 | SHAFT | Page-01.51 | 020 |
| CM2872277 | SENSOR, POSITION | Page-01.19 | 001 |
| CM2872424 | SENSOR, DFN PRESSURE | Page-01.125 | 001 |
| CM2872858 | SENSOR, TEMPERATURE | Page-01.127 | 001 |
| CM2881692 | KIT, EGR COOLER | Page-01.125 | 000 |
| CM2881693 | KIT, EGR VALVE | Page-01.125 | 000 |
| CM2882039 | 05 MM PISTON RING SET | Page-01.95 | 000 |
| CM3007632 | PLUG, EXPANSION | Page-01.77 | 012 |
| CM3008465 | PLUG, PIPE | Page-01.121 | 001 |
| CM3008469 | PLUG, PIPE | Page-01.77 | 017 |
| CM3008469 | PLUG, PIPE | Page-01.115 | 001 |
| CM3008469 | PLUG, PIPE | Page-01.163 | 001 |
| CM3010550 | CLAMP, HOSE | Page-01.123 | 001 |
| CM3025806 | SCREW, SOCKET HEAD CAP | Page-01.71 | 001 |
| CM3058653 | SEAL, O RING | Page-01.123 | 002 |
| CM3069053 | CLAMP, V BAND | Page-01.121 | 005 |
| CM3089232 | SCREW, HEX FLANGE HEAD CAP | Page-01.151 | 001 |
| CM3089316 | SCREW, HEX FLANGE HEAD CAP | Page-01.97 | 001 |
| CM3093730 | SCREW, HEX FLANGE HEAD CAP | Page-01.83 | 006 |
| CM3093730 | SCREW, HEX FLANGE HEAD CAP | Page-01.139 | 001 |
| CM3093775 | SCREW, HEX FLANGE HEAD CAP | Page-01.151 | 002 |

ISUZU CITIPORT AT E6 Parts List

| Part Number | Description | Page | Poz.No |
|--------------------|----------------------------|-------------|---------------|
| CM3093828 | NUT, HEXAGON FLANGE | Page-01.47 | 001 |
| CM3093828 | NUT, HEXAGON FLANGE | Page-01.151 | 003 |
| CM3093956 | SCREW, HEX FLANGE HEAD CAP | Page-01.19 | 003 |
| CM3093956 | SCREW, HEX FLANGE HEAD CAP | Page-01.133 | 001 |
| CM3103226 | SEAL, O RING | Page-01.17 | 006 |
| CM3104485 | CLAMP, SPRING HOSE | Page-01.127 | 002 |
| CM3279043 | NUT, HEXAGON FLANGE | Page-01.161 | 001 |
| CM3287270 | CONNECTOR, QCK DISCONNECT | Page-01.163 | 004 |
| CM3287274 | CONNECTOR, QCK DISCONNECT | Page-01.163 | 000 |
| CM3287727 | CLIP, WIRE RETAINING | Page-01.17 | 001 |
| CM3287893 | NUT, REGULAR HEXAGON | Page-01.161 | 009 |
| CM3330202 | SEAL, O RING | Page-01.45 | 004 |
| CM3331838 | UNION, MALE | Page-01.45 | 001 |
| CM3331873 | UNION, MALE | Page-01.45 | 000 |
| CM3332242 | SCREW, HEX FLANGE HEAD CAP | Page-01.97 | 002 |
| CM3348703 | SEAL, O RING | Page-01.45 | 005 |
| CM3393991 | CONNECTOR, MALE | Page-01.45 | 006 |
| CM3519163 | SCREW, DRIVE | Page-01.51 | 010 |
| CM3522597 | PIN, ROLL | Page-01.51 | 024 |
| CM3527184 | SCREW, HEX FLANGE HEAD CAP | Page-01.51 | 003 |
| CM3527619 | DATAPLATE | Page-01.51 | 001 |
| CM3529372 | NUT, REGULAR HEXAGON | Page-01.51 | 011 |
| CM3532217 | COLLAR, THRUST | Page-01.51 | 012 |
| CM3534043 | PLUG, ORIFICE | Page-01.51 | 025 |
| CM3536549 | SCREW, SOCKET HEAD CAP | Page-01.51 | 013 |
| CM3595260 | BUSHING | Page-01.51 | 026 |
| CM3595280 | SEAL, OIL | Page-01.51 | 014 |
| CM3596179 | BLOCK, PIVOT | Page-01.51 | 015 |
| CM3596402 | NUT, LOCK | Page-01.51 | 016 |
| CM3627695 | SEAL, O RING | Page-01.45 | 002 |
| CM3627695 | SEAL, O RING | Page-01.123 | 003 |
| CM3678603 | SEAL, O RING | Page-01.47 | 008 |
| CM3678786 | SEAL, O RING | Page-01.45 | 003 |
| CM3678786 | SEAL, O RING | Page-01.163 | 005 |
| CM3679118 | SCREW, HEX FLANGE HEAD CAP | Page-01.19 | 004 |
| CM3679139 | SEAL, O RING | Page-01.163 | 003 |
| CM3756754 | SEAL, SPLIT RING | Page-01.51 | 017 |
| CM3758848 | SEAL, SPLIT RING | Page-01.51 | 018 |
| CM3762259 | RING, RETAINING | Page-01.51 | 019 |
| CM3770578 | BEARING, TURBOCHARGER | Page-01.51 | 021 |
| CM3771958 | YOKE, TUR ACTUATOR | Page-01.51 | 032 |
| CM3772261 | DIFFUSER, TURBOCHARGER | Page-01.51 | 022 |
| CM3772416 | WASHER, SEALING | Page-01.51 | 028 |
| CM3772491 | SLINGER, OIL | Page-01.51 | 029 |
| CM3772492 | BAFFLE, OIL | Page-01.51 | 030 |
| CM3772628 | YOKE, TUR ACTUATOR | Page-01.51 | 000 |
| CM3772969 | HOUSING, TUR BEARING | Page-01.51 | 027 |
| CM3772970 | HOUSING, TUR BEARING | Page-01.51 | 000 |
| CM3773720 | RING, TURBOCHARGER NOZZLE | Page-01.51 | 035 |
| CM3774726 | LEVER, TUR ACTUATOR | Page-01.51 | 036 |

ISUZU CITIPOINT AT E6 Parts List

| Part Number | Description | Page | Poz.No |
|-------------|----------------------------|-------------|--------|
| CM3777444 | ACTUATOR, TUR ELECTRIC | Page-01.51 | 004 |
| CM3777450 | ACTUATOR, TUR ELECTRIC | Page-01.51 | 000 |
| CM3777924 | HOUSING, COMPRESSOR | Page-01.51 | 033 |
| CM3780284 | HOUSING, TURBINE | Page-01.51 | 034 |
| CM3780686 | TURBOCHARGER | Page-01.51 | 000 |
| CM3780690 | TURBOCHARGER | Page-01.51 | 000 |
| CM3786022 | TURBOCHARGER | Page-01.49 | 001 |
| CM3786024 | TURBOCHARGER | Page-01.49 | 000 |
| CM3802924 | KIT, INTAKE VALVE | Page-01.77 | 000 |
| CM3802967 | KIT, EXHAUST VALVE | Page-01.77 | 000 |
| CM3818824 | NUT, HEXAGON FLANGE | Page-01.49 | 002 |
| CM3866196 | CONNECTOR, MALE | Page-01.45 | 000 |
| CM3867646 | SEAL, O RING | Page-01.117 | 001 |
| CM3883284 | SEAL, O RING | Page-01.121 | 002 |
| CM3900589 | NUT, HEXAGON FLANGE | Page-01.13 | 001 |
| CM3900627 | SCREW, HEX FLANGE HEAD CAP | Page-01.123 | 004 |
| CM3900627 | SCREW, HEX FLANGE HEAD CAP | Page-01.127 | 003 |
| CM3900628 | SCREW, HEX FLANGE HEAD CAP | Page-01.3 | 001 |
| CM3900628 | SCREW, HEX FLANGE HEAD CAP | Page-01.123 | 005 |
| CM3900629 | SCREW, HEX FLANGE HEAD CAP | Page-01.17 | 002 |
| CM3900629 | SCREW, HEX FLANGE HEAD CAP | Page-01.21 | 001 |
| CM3900629 | SCREW, HEX FLANGE HEAD CAP | Page-01.97 | 003 |
| CM3900629 | SCREW, HEX FLANGE HEAD CAP | Page-01.123 | 006 |
| CM3900630 | SCREW, HEX FLANGE HEAD CAP | Page-01.47 | 002 |
| CM3900630 | SCREW, HEX FLANGE HEAD CAP | Page-01.113 | 001 |
| CM3900630 | SCREW, HEX FLANGE HEAD CAP | Page-01.125 | 003 |
| CM3900630 | SCREW, HEX FLANGE HEAD CAP | Page-01.127 | 004 |
| CM3900630 | SCREW, HEX FLANGE HEAD CAP | Page-01.133 | 002 |
| CM3900631 | SCREW, HEX FLANGE HEAD CAP | Page-01.5 | 000 |
| CM3900631 | SCREW, HEX FLANGE HEAD CAP | Page-01.71 | 002 |
| CM3900631 | SCREW, HEX FLANGE HEAD CAP | Page-01.125 | 004 |
| CM3900631 | SCREW, HEX FLANGE HEAD CAP | Page-01.127 | 005 |
| CM3900631 | SCREW, HEX FLANGE HEAD CAP | Page-01.141 | 001 |
| CM3900632 | SCREW, HEX FLANGE HEAD CAP | Page-01.57 | 001 |
| CM3900632 | SCREW, HEX FLANGE HEAD CAP | Page-01.125 | 005 |
| CM3900633 | SCREW, HEX FLANGE HEAD CAP | Page-01.3 | 002 |
| CM3900633 | SCREW, HEX FLANGE HEAD CAP | Page-01.19 | 005 |
| CM3900634 | SCREW, HEX FLANGE HEAD CAP | Page-01.97 | 004 |
| CM3900635 | SCREW, HEX FLANGE HEAD CAP | Page-01.97 | 005 |
| CM3900635 | SCREW, HEX FLANGE HEAD CAP | Page-01.141 | 002 |
| CM3900635 | SCREW, HEX FLANGE HEAD CAP | Page-01.151 | 004 |
| CM3900637 | SCREW, HEX FLANGE HEAD CAP | Page-01.5 | 001 |
| CM3900677 | SCREW, HEXAGON HEAD CAP | Page-01.65 | 001 |
| CM3900678 | SCREW, HEX FLANGE HEAD CAP | Page-01.85 | 001 |
| CM3900678 | SCREW, HEX FLANGE HEAD CAP | Page-01.117 | 002 |
| CM3900679 | SCREW, HEX FLANGE HEAD CAP | Page-01.97 | 006 |
| CM3900679 | SCREW, HEX FLANGE HEAD CAP | Page-01.155 | 001 |
| CM3900955 | PLUG, EXPANSION | Page-01.67 | 002 |
| CM3900956 | PLUG, EXPANSION | Page-01.79 | 008 |
| CM3900958 | PLUG, EXPANSION | Page-01.69 | 001 |

ISUZU CITIPORT AT E6 Parts List

| Part Number | Description | Page | Poz.No |
|-------------|----------------------------|-------------|--------|
| CM3901445 | SCREW, HEX FLANGE HEAD CAP | Page-01.19 | 006 |
| CM3901445 | SCREW, HEX FLANGE HEAD CAP | Page-01.87 | 002 |
| CM3901445 | SCREW, HEX FLANGE HEAD CAP | Page-01.93 | 001 |
| CM3901445 | SCREW, HEX FLANGE HEAD CAP | Page-01.141 | 003 |
| CM3901865 | SCREW, HEX FLANGE HEAD CAP | Page-01.123 | 007 |
| CM3901865 | SCREW, HEX FLANGE HEAD CAP | Page-01.145 | 001 |
| CM3901865 | SCREW, HEX FLANGE HEAD CAP | Page-01.149 | 001 |
| CM3902023 | SCREW, HEX FLANGE HEAD CAP | Page-01.133 | 003 |
| CM3902114 | SCREW, HEX FLANGE HEAD CAP | Page-01.71 | 003 |
| CM3902114 | SCREW, HEX FLANGE HEAD CAP | Page-01.93 | 002 |
| CM3902116 | SCREW, HEX FLANGE HEAD CAP | Page-01.19 | 007 |
| CM3902343 | DOWEL, RING | Page-01.79 | 001 |
| CM3902451 | SCREW, HEX FLANGE HEAD CAP | Page-01.97 | 007 |
| CM3902662 | NUT, HEXAGON FLANGE | Page-01.111 | 001 |
| CM3902662 | NUT, HEXAGON FLANGE | Page-01.113 | 002 |
| CM3903035 | SCREW, BANJO CONNECTOR | Page-01.47 | 003 |
| CM3903096 | SCREW, HEX FLANGE HEAD CAP | Page-01.85 | 002 |
| CM3903096 | SCREW, HEX FLANGE HEAD CAP | Page-01.117 | 003 |
| CM3903112 | SCREW, HEX FLANGE HEAD CAP | Page-01.87 | 003 |
| CM3903112 | SCREW, HEX FLANGE HEAD CAP | Page-01.151 | 005 |
| CM3903464 | SCREW, HEX FLANGE HEAD CAP | Page-01.97 | 008 |
| CM3903990 | SCREW, HEX FLANGE HEAD CAP | Page-01.79 | 002 |
| CM3903990 | SCREW, HEX FLANGE HEAD CAP | Page-01.107 | 001 |
| CM3903990 | SCREW, HEX FLANGE HEAD CAP | Page-01.165 | 003 |
| CM3904325 | TOOL, SEAL INSTALLATION | Page-01.97 | 000 |
| CM3904483 | DOWEL, PIN | Page-01.83 | 003 |
| CM3905371 | STUD | Page-01.161 | 003 |
| CM3905401 | PLUG, EXPANSION | Page-01.79 | 009 |
| CM3906216 | NUT, HEXAGON FLANGE | Page-01.123 | 008 |
| CM3906216 | NUT, HEXAGON FLANGE | Page-01.133 | 004 |
| CM3906216 | NUT, HEXAGON FLANGE | Page-01.163 | 006 |
| CM3906252 | SEAL, RECTANGULAR RING | Page-01.161 | 004 |
| CM3906391 | SCREW, SOCKET HEAD CAP | Page-01.19 | 008 |
| CM3906619 | PLUG, PIPE | Page-01.57 | 010 |
| CM3906697 | SEAL, O RING | Page-01.151 | 006 |
| CM3906698 | SEAL, RECTANGULAR RING | Page-01.139 | 002 |
| CM3908095 | PLATE, COVER | Page-01.97 | 009 |
| CM3909409 | TOOL, SEAL INSTALLATION | Page-01.97 | 000 |
| CM3910248 | PLUG, O RING | Page-01.97 | 010 |
| CM3910260 | SEAL, O RING | Page-01.97 | 011 |
| CM3910495 | SCREW, HEX FLANGE HEAD CAP | Page-01.87 | 004 |
| CM3910517 | SEAL, O RING | Page-01.123 | 009 |
| CM3910901 | SCREW, HEX FLANGE HEAD CAP | Page-01.141 | 004 |
| CM3913372 | SCREW, HEX FLANGE HEAD CAP | Page-01.123 | 010 |
| CM3913638 | SCREW, HEX FLANGE HEAD CAP | Page-01.21 | 002 |
| CM3914035 | PLUG, EXPANSION | Page-01.77 | 009 |
| CM3914035 | PLUG, EXPANSION | Page-01.79 | 010 |
| CM3914035 | PLUG, EXPANSION | Page-01.87 | 008 |
| CM3914177 | SCREW, HEX FLANGE HEAD CAP | Page-01.97 | 012 |
| CM3915787 | PLUG, THREADED | Page-01.57 | 003 |

ISUZU CITIPOINT AT E6 Parts List

| Part Number | Description | Page | Poz.No |
|-------------|----------------------------|-------------|--------|
| CM3918109 | SCREW, HEX FLANGE HEAD CAP | Page-01.119 | 001 |
| CM3918153 | SCREW, HEX FLANGE HEAD CAP | Page-01.87 | 001 |
| CM3918685 | PIPE, AIR TRANSFER | Page-01.121 | 003 |
| CM3920691 | RING, RETAINING | Page-01.95 | 010 |
| CM3920706 | PLUG, EXPANSION | Page-01.47 | 004 |
| CM3921533 | SHIELD, DUST | Page-01.141 | 005 |
| CM3921816 | SCREW, STUDED FLANGE CAP | Page-01.123 | 011 |
| CM3922794 | SEAL, O RING | Page-01.47 | 009 |
| CM3922863 | SCREW, HEX FLANGE HEAD CAP | Page-01.97 | 013 |
| CM3922863 | SCREW, HEX FLANGE HEAD CAP | Page-01.151 | 007 |
| CM3923041 | NUT, LOCK | Page-01.121 | 004 |
| CM3925009 | SPRING, COMPRESSION | Page-01.57 | 004 |
| CM3925186 | SCREW, FLAT HEAD CAP | Page-01.141 | 006 |
| CM3925402 | SCREW, HEX FLANGE HEAD CAP | Page-01.161 | 005 |
| CM3925883 | SCREW, HEX FLANGE HEAD CAP | Page-01.83 | 008 |
| CM3926056 | BRACKET, BELT TENSIONER | Page-01.141 | 007 |
| CM3927063 | SCREW, HEX FLANGE HEAD CAP | Page-01.77 | 001 |
| CM3927692 | NUT, HEAVY HEXAGON | Page-01.85 | 010 |
| CM3927948 | SCREW, HEX FLANGE HEAD CAP | Page-01.79 | 011 |
| CM3928624 | SEAL, O RING | Page-01.47 | 012 |
| CM3928873 | SCREW, HEX FLANGE HEAD CAP | Page-01.161 | 006 |
| CM3929457 | SEAL, O RING | Page-01.57 | 005 |
| CM3934486 | RR CRANKSEAL SERV KIT | Page-01.97 | 000 |
| CM3935229 | SHAFT, IDLER | Page-01.141 | 008 |
| CM3936365 | VALVE, PRESSURE RELIEF | Page-01.57 | 006 |
| CM3937613 | CLAMP, HOSE | Page-01.47 | 013 |
| CM3939258 | GASKET, COVER PLATE | Page-01.133 | 005 |
| CM3939719 | INSERT, VALVE | Page-01.77 | 015 |
| CM3939720 | INSERT, VALVE | Page-01.77 | 015 |
| CM3939721 | INSERT, VALVE | Page-01.77 | 015 |
| CM3939723 | INSERT, VALVE | Page-01.77 | 016 |
| CM3939724 | INSERT, VALVE | Page-01.77 | 016 |
| CM3939725 | INSERT, VALVE | Page-01.77 | 016 |
| CM3940123 | COLLET, VALVE | Page-01.77 | 003 |
| CM3940734 | VALVE, EXHAUST | Page-01.77 | 006 |
| CM3940735 | VALVE, INTAKE | Page-01.77 | 005 |
| CM3941253 | ROD, PUSH | Page-01.85 | 003 |
| CM3941927 | LEVER, ROCKER | Page-01.85 | 014 |
| CM3941928 | LEVER, ROCKER | Page-01.85 | 011 |
| CM3941976 | SCREW, STUDED FLANGE CAP | Page-01.125 | 006 |
| CM3942803 | TAG, INSTRUCTION | Page-01.61 | 002 |
| CM3943198 | RETAINER, VALVE SPRING | Page-01.77 | 008 |
| CM3943449 | INSERT, VALVE | Page-01.77 | 015 |
| CM3943450 | INSERT, VALVE | Page-01.77 | 016 |
| CM3943626 | CROSSHEAD, VALVE | Page-01.85 | 004 |
| CM3944061 | SCREW, STUDED FLANGE CAP | Page-01.107 | 002 |
| CM3944593 | SCREW, HEX FLANGE HEAD CAP | Page-01.129 | 001 |
| CM3944816 | SCREW, STUDED FLANGE CAP | Page-01.19 | 009 |
| CM3945094 | PLUG, EXPANSION | Page-01.77 | 013 |
| CM3945095 | PLUG, EXPANSION | Page-01.77 | 014 |

ISUZU CITIPORT AT E6 Parts List

| Part Number | Description | Page | Poz.No |
|-------------|----------------------------|-------------|--------|
| CM3945252 | SPACER, MOUNTING | Page-01.125 | 008 |
| CM3945252 | SPACER, MOUNTING | Page-01.129 | 003 |
| CM3947530 | GASKET, INT MANIFOLD COVER | Page-01.119 | 003 |
| CM3947759 | TAPPET, VALVE | Page-01.81 | 001 |
| CM3949326 | DOWEL, RING | Page-01.93 | 003 |
| CM3949419 | STUD, DOUBLE END PLAIN | Page-01.13 | 002 |
| CM3954099 | CAMSHAFT | Page-01.83 | 004 |
| CM3954100 | CAMSHAFT | Page-01.83 | 000 |
| CM3954111 | DOWEL, RING | Page-01.83 | 001 |
| CM3954616 | DOWEL, RING | Page-01.87 | 007 |
| CM3954829 | SEAL, THERMOSTAT | Page-01.143 | 002 |
| CM3955030 | DOWEL, PIN | Page-01.89 | 001 |
| CM3955069 | RING, SPEED INDICATOR | Page-01.83 | 002 |
| CM3955152 | GEAR, CAMSHAFT | Page-01.83 | 009 |
| CM3955153 | GEAR, FUEL PUMP | Page-01.13 | 003 |
| CM3955219 | ISOLATOR, VIBRATION | Page-01.19 | 010 |
| CM3955220 | ISOLATOR, VIBRATION | Page-01.19 | 011 |
| CM3955393 | SEAL, VALVE STEM | Page-01.77 | 004 |
| CM3957290 | VALVE, CHECK | Page-01.17 | 003 |
| CM3957849 | SCREW, SOCKET HEAD CAP | Page-01.19 | 012 |
| CM3957942 | SCREW, BANJO CONNECTOR | Page-01.137 | 001 |
| CM3958414 | SEAL, O RING | Page-01.93 | 006 |
| CM3959128 | SCREW, RKR LEVER ADJUSTING | Page-01.85 | 013 |
| CM3963379 | GASKET, RKR LEVER HOUSING | Page-01.85 | 005 |
| CM3963824 | SEAL, RECTANGULAR RING | Page-01.145 | 003 |
| CM3963983 | WASHER, SEALING | Page-01.47 | 005 |
| CM3963988 | WASHER, SEALING | Page-01.11 | 002 |
| CM3963988 | WASHER, SEALING | Page-01.17 | 004 |
| CM3963990 | WASHER, SEALING | Page-01.9 | 001 |
| CM3963990 | WASHER, SEALING | Page-01.17 | 005 |
| CM3964817 | SCREW, BANJO CONNECTOR | Page-01.95 | 008 |
| CM3964908 | SUPPORT, ROCKER LEVER | Page-01.85 | 015 |
| CM3965818 | CLAMP, TUBE | Page-01.47 | 006 |
| CM3967353 | TAG, INSTRUCTION | Page-01.63 | 001 |
| CM3968164 | CRANKSHAFT, ENGINE | Page-01.89 | 003 |
| CM3968283 | CAP, FILLER | Page-01.75 | 004 |
| CM3968470 | SCREW, TWELVE POINT CAP | Page-01.169 | 001 |
| CM3969562 | BEARING, CONNECTING ROD | Page-01.95 | 002 |
| CM3970518 | RING, COMPRESSION PISTON | Page-01.95 | 013 |
| CM3971520 | GEAR, ACCESSORY DRIVE | Page-01.161 | 008 |
| CM3972753 | SEAL, O RING | Page-01.3 | 003 |
| CM3972984 | SCREW, STUDDED FLANGE CAP | Page-01.21 | 003 |
| CM3973511 | CAP, FILLER | Page-01.75 | 000 |
| CM3973512 | SEAL, O RING | Page-01.75 | 005 |
| CM3973853 | ISOLATOR, VIBRATION | Page-01.75 | 001 |
| CM3974156 | CAP, MAIN BEARING | Page-01.79 | 013 |
| CM3974158 | CAP, MAIN BEARING | Page-01.79 | 014 |
| CM3974981 | HOUSING, ROCKER LEVER | Page-01.85 | 000 |
| CM3975818 | CORE, COOLER | Page-01.57 | 011 |
| CM3975943 | HOUSING, ROCKER LEVER | Page-01.85 | 006 |

ISUZU CITIPORT AT E6 Parts List

| Part Number | Description | Page | Poz.No |
|-------------|----------------------------|-------------|--------|
| CM3975948 | SCREW, PAN HEAD CAP | Page-01.133 | 012 |
| CM3976339 | RING, COMPRESSION PISTON | Page-01.95 | 011 |
| CM3976371 | SEAL, INJECTOR | Page-01.3 | 013 |
| CM3976834 | TENSIONER, BELT | Page-01.155 | 002 |
| CM3977148 | BRACE, AIR COMPRESSOR | Page-01.161 | 007 |
| CM3977357 | WIRE, GROUND | Page-01.19 | 013 |
| CM3977393 | SEAL, O RING | Page-01.3 | 014 |
| CM3977851 | PLUG, THREADED | Page-01.79 | 004 |
| CM3977851 | PLUG, THREADED | Page-01.117 | 007 |
| CM3977853 | PLUG, THREADED | Page-01.79 | 005 |
| CM3977855 | PLUG, THREADED | Page-01.79 | 006 |
| CM3978072 | GASKET, CONNECTION | Page-01.117 | 004 |
| CM3978324 | PULLEY, IDLER | Page-01.141 | 009 |
| CM3978478 | FLANGE, CRANKSHAFT | Page-01.91 | 002 |
| CM3978818 | BEARING, MAIN | Page-01.89 | 007 |
| CM3978820 | BEARING, MAIN | Page-01.89 | 008 |
| CM3978822 | BEARING, THRUST | Page-01.89 | 006 |
| CM3978824 | BEARING, THRUST | Page-01.89 | 009 |
| CM3979506 | CAMSHAFT | Page-01.83 | 000 |
| CM3979769 | GASKET, EXH GAS RCN VALVE | Page-01.125 | 009 |
| CM3990127 | SCREW, HEX FLANGE HEAD CAP | Page-01.85 | 008 |
| CM3999820 | GASKET, BREATHER | Page-01.75 | 006 |
| CM4010519 | SEAL, O RING | Page-01.19 | 023 |
| CM4010519 | SEAL, O RING | Page-01.125 | 011 |
| CM4032806 | KIT, TUR SENSOR | Page-01.51 | 000 |
| CM4035788 | IMPELLER, TUR COMPRESSOR | Page-01.51 | 009 |
| CM4041396 | SEAL, O RING | Page-01.51 | 037 |
| CM4041397 | SCREW, SOCKET HEAD CAP | Page-01.51 | 040 |
| CM4041398 | SCREW, SOCKET HEAD CAP | Page-01.51 | 041 |
| CM4042188 | SEAL, O RING | Page-01.51 | 038 |
| CM4046379 | SEAL, SPLIT RING | Page-01.51 | 039 |
| CM4076420 | SEAL, O RING | Page-01.19 | 018 |
| CM4076823 | SEAL, RECTANGULAR RING | Page-01.125 | 002 |
| CM4076930 | SWITCH, PRESSURE | Page-01.19 | 014 |
| CM4309383 | KIT, PISTON | Page-01.95 | 000 |
| CM4309445 | KIT, PISTON (0.5 MM OS) | Page-01.95 | 000 |
| CM4309448 | KIT, WATER PUMP | Page-01.139 | 000 |
| CM4890832 | SEAL, OIL | Page-01.93 | 005 |
| CM4891178 | BUSHING | Page-01.95 | 005 |
| CM4891179 | SCREW, CONNECTING ROD CAP | Page-01.95 | 006 |
| CM4891288 | GASKET, OIL DRAIN | Page-01.47 | 007 |
| CM4892239 | PLATE, COVER | Page-01.97 | 014 |
| CM4892338 | MOTOR, STARTING | Page-01.171 | 001 |
| CM4892795 | BEARING, CONNECTING ROD | Page-01.95 | 003 |
| CM4892796 | BEARING, CONNECTING ROD | Page-01.95 | 003 |
| CM4892797 | BEARING, CONNECTING ROD | Page-01.95 | 003 |
| CM4892798 | BEARING, CONNECTING ROD | Page-01.95 | 003 |
| CM4893391 | ADAPTER, FILTER HEAD | Page-01.57 | 008 |
| CM4893494 | GASKET, COVER PLATE | Page-01.97 | 015 |
| CM4893693 | BEARING, CONNECTING ROD | Page-01.95 | 003 |

ISUZU CITIPOINT AT E6 Parts List

| Part Number | Description | Page | Poz.No |
|-------------|----------------------------|-------------|--------|
| CM4894641 | SCREW, CAPTIVE WASHER CAP | Page-01.99 | 001 |
| CM4895877 | SCREW, SOCKET HEAD CAP | Page-01.83 | 005 |
| CM4896404 | PLUNGER, PRS REGULATOR | Page-01.57 | 007 |
| CM4896768 | SCREW, HEX FLANGE HEAD CAP | Page-01.91 | 003 |
| CM4898301 | GASKET, OIL SUC CONNECTION | Page-01.71 | 004 |
| CM4899132 | INSERT, THREADED | Page-01.97 | 017 |
| CM4903482 | SEAL, O RING | Page-01.19 | 017 |
| CM4919951 | SLEEVE, SALVAGE | Page-01.79 | 017 |
| CM4921322 | SENSOR, PRS TEMPERATURE | Page-01.19 | 016 |
| CM4921574 | SEAL, O RING | Page-01.19 | 015 |
| CM4921850 | SENSOR, PRS TEMPERATURE | Page-01.19 | 000 |
| CM4928395 | SENSOR, PRS TEMPERATURE | Page-01.19 | 019 |
| CM4928592 | SEAL, O RING | Page-01.19 | 025 |
| CM4928594 | SENSOR, PRESSURE | Page-01.125 | 010 |
| CM4928599 | SEAL, O RING | Page-01.19 | 002 |
| CM4928699 | SHAFT, ROCKER LEVER | Page-01.85 | 007 |
| CM4929128 | INSERT, THREADED | Page-01.87 | 005 |
| CM4929864 | CONNECTOR, INJ FUEL SUPPLY | Page-01.3 | 000 |
| CM4929865 | CONNECTOR, INJ FUEL SUPPLY | Page-01.3 | 004 |
| CM4930304 | CLAMP, HOSE | Page-01.163 | 007 |
| CM4930487 | BRACKET, ETR CNT MODULE | Page-01.19 | 020 |
| CM4930488 | SPACER, MOUNTING | Page-01.19 | 021 |
| CM4931041 | PIN, PISTON | Page-01.95 | 001 |
| CM4931042 | RING, COMPRESSION PISTON | Page-01.95 | 011 |
| CM4931260 | DIAPHRAGM | Page-01.133 | 013 |
| CM4931261 | SPRING, COMPRESSION | Page-01.133 | 014 |
| CM4931642 | STUD, DOUBLE END PLAIN | Page-01.49 | 003 |
| CM4931643 | PLUG, PIPE | Page-01.135 | 001 |
| CM4931725 | COVER, ACCESS HOLE | Page-01.133 | 006 |
| CM4932210 | GASKET, CYLINDER HEAD | Page-01.77 | 002 |
| CM4932375 | BEARING, CONNECTING ROD | Page-01.95 | 002 |
| CM4932376 | BEARING, CONNECTING ROD | Page-01.95 | 002 |
| CM4932377 | BEARING, CONNECTING ROD | Page-01.95 | 002 |
| CM4932378 | BEARING, CONNECTING ROD | Page-01.95 | 002 |
| CM4932559 | BRACE, ALTERNATOR | Page-01.151 | 008 |
| CM4932615 | GASKET, CONNECTION | Page-01.5 | 000 |
| CM4932615 | GASKET, CONNECTION | Page-01.127 | 006 |
| CM4932701 | COUPLING, PLAIN HOSE | Page-01.133 | 007 |
| CM4932801 | RING, OIL PISTON | Page-01.95 | 012 |
| CM4932802 | RING, OIL PISTON | Page-01.95 | 012 |
| CM4933532 | PLUG, PIPE | Page-01.61 | 003 |
| CM4934278 | WASHER, SEALING | Page-01.137 | 002 |
| CM4934418 | GEAR, CRANKSHAFT | Page-01.89 | 005 |
| CM4934419 | GEAR, CRANKSHAFT | Page-01.89 | 004 |
| CM4934496 | COUPLING, PLAIN HOSE | Page-01.133 | 008 |
| CM4934861 | CRANKSHAFT, ENGINE | Page-01.89 | 000 |
| CM4934862 | CRANKSHAFT, ENGINE | Page-01.89 | 000 |
| CM4934879 | FILTER, FUEL | Page-01.15 | 002 |
| CM4935974 | TUBE, INJECTOR FUEL SUPPLY | Page-01.3 | 005 |
| CM4935976 | TUBE, INJECTOR FUEL SUPPLY | Page-01.3 | 006 |

ISUZU CITIPORT AT E6 Parts List

| Part Number | Description | Page | Poz.No |
|-------------|----------------------------|-------------|--------|
| CM4935981 | TUBE, INJECTOR FUEL SUPPLY | Page-01.3 | 007 |
| CM4935982 | TUBE, INJECTOR FUEL SUPPLY | Page-01.3 | 008 |
| CM4936080 | SPRING, VALVE | Page-01.77 | 007 |
| CM4936171 | SEAL, O RING | Page-01.133 | 009 |
| CM4936172 | SCREW, SDR ISOLATOR CAP | Page-01.75 | 000 |
| CM4936173 | SCREW, SDR ISOLATOR CAP | Page-01.75 | 002 |
| CM4936420 | HOUSING, GEAR | Page-01.87 | 006 |
| CM4936423 | HOUSING, GEAR | Page-01.87 | 000 |
| CM4936636 | ELEMENT, BREATHER | Page-01.133 | 010 |
| CM4937282 | MANIFOLD, FUEL | Page-01.3 | 009 |
| CM4937308 | NOZZLE, PISTON COOLING | Page-01.95 | 007 |
| CM4938005 | VALVE, PRESSURE RELIEF | Page-01.3 | 010 |
| CM4938189 | PLUG, EXPANSION | Page-01.79 | 015 |
| CM4938699 | SCREW, STUDDED FLANGE CAP | Page-01.133 | 011 |
| CM4938933 | BEARING, MAIN | Page-01.89 | 007 |
| CM4938934 | BEARING, MAIN | Page-01.89 | 007 |
| CM4938935 | BEARING, MAIN | Page-01.89 | 007 |
| CM4938936 | BEARING, MAIN | Page-01.89 | 007 |
| CM4938937 | BEARING, MAIN | Page-01.89 | 008 |
| CM4938938 | BEARING, MAIN | Page-01.89 | 008 |
| CM4938939 | BEARING, MAIN | Page-01.89 | 008 |
| CM4938940 | BEARING, MAIN | Page-01.89 | 008 |
| CM4938942 | BEARING, THRUST | Page-01.89 | 009 |
| CM4938943 | BEARING, THRUST | Page-01.89 | 009 |
| CM4938944 | BEARING, THRUST | Page-01.89 | 009 |
| CM4938945 | BEARING, THRUST | Page-01.89 | 009 |
| CM4938946 | BEARING, THRUST | Page-01.89 | 009 |
| CM4938947 | BEARING, THRUST | Page-01.89 | 009 |
| CM4938949 | BEARING, THRUST | Page-01.89 | 006 |
| CM4938950 | BEARING, THRUST | Page-01.89 | 006 |
| CM4938951 | BEARING, THRUST | Page-01.89 | 006 |
| CM4938952 | BEARING, THRUST | Page-01.89 | 006 |
| CM4938953 | BEARING, THRUST | Page-01.89 | 006 |
| CM4938954 | BEARING, THRUST | Page-01.89 | 006 |
| CM4940182 | UNION, MALE | Page-01.47 | 010 |
| CM4940183 | UNION, MALE | Page-01.47 | 000 |
| CM4940240 | SCREW, HEX FLANGE HEAD CAP | Page-01.107 | 003 |
| CM4940281 | HOUSING, BREATHER | Page-01.133 | 015 |
| CM4941303 | BELT, V RIBBED | Page-01.141 | 010 |
| CM4942070 | CONNECTOR, QCK DISCONNECT | Page-01.17 | 007 |
| CM4942357 | RING, COMPRESSION PISTON | Page-01.95 | 013 |
| CM4943660 | CONNECTOR, QCK DISCONNECT | Page-01.17 | 000 |
| CM4943978 | ROD, ENGINE CONNECTING | Page-01.95 | 004 |
| CM4943979 | ROD, ENGINE CONNECTING | Page-01.95 | 000 |
| CM4944257 | WASHER, SEALING | Page-01.45 | 007 |
| CM4954905 | SENSOR, TEMPERATURE | Page-01.19 | 022 |
| CM4955366 | SET, PISTON RING | Page-01.95 | 000 |
| CM4955521 | SET, MAIN BEARING | Page-01.89 | 000 |
| CM4980292 | TUBE, FUEL SUPPLY | Page-01.17 | 008 |
| CM4980333 | HEAD, LUB OIL FILTER | Page-01.57 | 009 |

ISUZU CITIPORT AT E6 Parts List

| Part Number | Description | Page | Poz.No |
|-------------|---------------------------|-------------|--------|
| CM4980390 | BRACE, ALTERNATOR | Page-01.151 | 009 |
| CM4980590 | UNION, MALE | Page-01.45 | 008 |
| CM4980591 | UNION, MALE | Page-01.45 | 000 |
| CM4983047 | HEAD, CYLINDER | Page-01.77 | 011 |
| CM4983253 | BUSHING | Page-01.79 | 016 |
| CM4983354 | HEAD, LUB OIL FILTER | Page-01.57 | 000 |
| CM4983355 | HEAD, LUB OIL FILTER | Page-01.57 | 000 |
| CM4983496 | PUMP, LUBRICATING OIL | Page-01.65 | 002 |
| CM4983620 | TUBE, PRESSURE SENSING | Page-01.125 | 012 |
| CM4984575 | SENSOR, PRESSURE | Page-01.19 | 024 |
| CM4988280 | GASKET, HYDRAULIC PUMP | Page-01.165 | 001 |
| CM4988954 | HEAD, CYLINDER | Page-01.77 | 000 |
| CM4989314 | CARTRIDGE, LUB OIL FILTER | Page-01.59 | 001 |
| CM4989489 | HOUSING, THERMOSTAT | Page-01.145 | 002 |
| CM4990321 | CLAMP, TUBE | Page-01.127 | 013 |
| CM4990447 | BLOCK, CYLINDER | Page-01.79 | 007 |
| CM4991240 | PULLEY, IDLER | Page-01.141 | 011 |
| CM4992220 | ADAPTER, REDUCING PIPE | Page-01.137 | 003 |
| CM4992639 | CLAMP, WIRE TIE | Page-01.17 | 009 |
| CM4993632 | SUPPORT, EXH GAS RCN MDL | Page-01.125 | 013 |
| CM4994197 | BALL, ROCKER LEVER | Page-01.85 | 012 |
| CM4994198 | SOCKET, ROCKER LEVER | Page-01.85 | 009 |
| CM4994574 | SEAL, O RING | Page-01.161 | 002 |
| CM4994692 | PLUG, THREADED | Page-01.71 | 006 |
| CM4995185 | SEAL, D RING | Page-01.71 | 007 |
| CM4995590 | HARNESS, WIRING | Page-01.15 | 001 |
| CM4995602 | ASSEMBLY, ROCKER LEVER | Page-01.85 | 000 |
| CM4995603 | LEVER, ROCKER | Page-01.85 | 000 |
| CM4995604 | LEVER, ROCKER | Page-01.85 | 000 |
| CM4995605 | LEVER, ROCKER | Page-01.85 | 000 |
| CM4995606 | LEVER, ROCKER | Page-01.85 | 000 |
| CM4996963 | DATAPLATE | Page-01.101 | 001 |
| CM5253177 | BRACKET, ETR CNT MODULE | Page-01.19 | 026 |
| CM5254305 | SCREW, HEXAGON HEAD CAP | Page-01.123 | 012 |
| CM5254314 | COOLER, EXH GAS RCN | Page-01.125 | 014 |
| CM5254441 | FILTER, FUEL | Page-01.15 | 000 |
| CM5255716 | SCREW, CAPTIVE WASHER CAP | Page-01.125 | 015 |
| CM5256034 | INJECTOR | Page-01.3 | 012 |
| CM5256139 | DAMPER, VISCOUS VIBRATION | Page-01.91 | 001 |
| CM5258931 | SUPPORT, CAMSHAFT THRUST | Page-01.83 | 007 |
| CM5259180 | CLAMP, INJECTOR | Page-01.3 | 015 |
| CM5259499 | SEAL, OIL | Page-01.97 | 016 |
| CM5259578 | ALTERNATOR | Page-01.173 | 001 |
| CM5259880 | HEAD, FUEL FILTER | Page-01.15 | 003 |
| CM5261014 | CONNECTION, WATER OUTLET | Page-01.149 | 002 |
| CM5262073 | CONNECTOR, QCK DISCONNECT | Page-01.11 | 001 |
| CM5263091 | BRACE, TUBE | Page-01.17 | 000 |
| CM5263093 | CLIP | Page-01.17 | 010 |
| CM5263094 | PUMP, FUEL INJECTION | Page-01.13 | 004 |
| CM5263672 | PLUG, EXPANSION | Page-01.77 | 010 |

ISUZU CITIPORT AT E6 Parts List

| Part Number | Description | Page | Poz.No |
|-------------|----------------------------|-------------|--------|
| CM5263842 | HOSE, PLAIN | Page-01.47 | 014 |
| CM5264181 | RETAINER, INJ FUL SUP CNR | Page-01.3 | 016 |
| CM5264950 | GASKET, INTEGRATED WIRING | Page-01.75 | 003 |
| CM5266419 | GASKET, TURBOCHARGER | Page-01.49 | 004 |
| CM5266422 | GASKET, EXHAUST MANIFOLD | Page-01.125 | 016 |
| CM5266422 | GASKET, EXHAUST MANIFOLD | Page-01.129 | 004 |
| CM5268244 | BRACE, TUBE | Page-01.17 | 011 |
| CM5269284 | CLAMP, V BAND | Page-01.117 | 005 |
| CM5270057 | HOSE, PLAIN | Page-01.5 | 000 |
| CM5270057 | HOSE, PLAIN | Page-01.127 | 007 |
| CM5271307 | VALVE, EXH GAS RCN | Page-01.125 | 017 |
| CM5272790 | HOSE, PLAIN | Page-01.123 | 013 |
| CM5274516 | PISTON, ENGINE | Page-01.95 | 009 |
| CM5274517 | PISTON, ENGINE | Page-01.95 | 009 |
| CM5282721 | HEAD, CYLINDER | Page-01.77 | 000 |
| CM5283604 | TUBE, FUEL SUPPLY | Page-01.7 | 001 |
| CM5283605 | TUBE, FUEL SUPPLY | Page-01.7 | 002 |
| CM5283755 | TUBE, EXH CLR WATER INLET | Page-01.123 | 014 |
| CM5283760 | TUBE, EXH CLR WATER INLET | Page-01.123 | 015 |
| CM5284304 | COVER, BREATHER | Page-01.133 | 016 |
| CM5284305 | COVER, VALVE | Page-01.75 | 000 |
| CM5284306 | COVER, VALVE | Page-01.75 | 007 |
| CM5284307 | COVER, BREATHER | Page-01.133 | 000 |
| CM5284996 | TUBE, CPR WATER INLET | Page-01.163 | 008 |
| CM5285013 | HOSE, PLAIN | Page-01.163 | 009 |
| CM5287352 | HOUSING, FLYWHEEL | Page-01.97 | 018 |
| CM5287353 | HOUSING, FLYWHEEL | Page-01.97 | 000 |
| CM5287891 | TUBE, AIR TRANSFER | Page-01.127 | 000 |
| CM5287892 | INSULATION, TUBE | Page-01.127 | 009 |
| CM5287893 | TUBE, AIR TRANSFER | Page-01.127 | 010 |
| CM5287902 | INSULATION, TUBE | Page-01.127 | 011 |
| CM5288070 | BRACKET, ENGINE LIFTING | Page-01.109 | 001 |
| CM5288661 | GASKET, OIL PAN | Page-01.71 | 008 |
| CM5288793 | HOSE, FLEXIBLE | Page-01.47 | 011 |
| CM5289179 | COVER, FRONT | Page-01.93 | 004 |
| CM5289603 | HOSE, FLEXIBLE | Page-01.45 | 009 |
| CM5289605 | SUPPORT, ALTERNATOR | Page-01.151 | 011 |
| CM5289607 | SUPPORT, ALTERNATOR | Page-01.151 | 000 |
| CM5290170 | MODULE, ELECTRONIC CONTROL | Page-01.19 | 028 |
| CM5290171 | MODULE, ELECTRONIC CONTROL | Page-01.19 | 000 |
| CM5290541 | SCREW, STUDED FLANGE CAP | Page-01.57 | 014 |
| CM5290910 | STIFFENER, CYLINDER BLOCK | Page-01.79 | 003 |
| CM5291155 | CONNECTOR, QCK DISCONNECT | Page-01.147 | 001 |
| CM5291275 | COMPRESSOR, AIR | Page-01.161 | 010 |
| CM5291950 | COUPLING, PLAIN HOSE | Page-01.123 | 016 |
| CM5291953 | PAN, OIL | Page-01.71 | 000 |
| CM5292368 | TUBE, LUB OIL DRAIN | Page-01.133 | 017 |
| CM5292373 | BRACKET, OIL TUBE | Page-01.133 | 018 |
| CM5292374 | BRACKET, OIL TUBE | Page-01.133 | 019 |
| CM5292375 | CLIP | Page-01.133 | 020 |

ISUZU CITIPORT AT E6 Parts List

| Part Number | Description | Page | Poz.No |
|-------------|----------------------------|-------------|--------|
| CM5292707 | THERMOSTAT | Page-01.143 | 001 |
| CM5292708 | THERMOSTAT | Page-01.143 | 000 |
| CM5292957 | PAN, OIL | Page-01.71 | 009 |
| CM5293077 | MANIFOLD, EXHAUST | Page-01.129 | 005 |
| CM5293836 | HARNESS, ETR CNT MDL WRG | Page-01.21 | 004 |
| CM5294133 | TUBE, CPR WATER OUTLET | Page-01.163 | 010 |
| CM5294136 | TUBE, CPR WATER OUTLET | Page-01.163 | 011 |
| CM5294339 | CONNECTION, TUR OIL DRAIN | Page-01.47 | 015 |
| CM5294345 | CONNECTION, TUR OIL DRAIN | Page-01.47 | 000 |
| CM5294346 | CONNECTION, TUR OIL DRAIN | Page-01.47 | 016 |
| CM5295153 | BRACE, TUBE | Page-01.127 | 008 |
| CM5295158 | TUBE, AIR TRANSFER | Page-01.127 | 000 |
| CM5295159 | TUBE, AIR TRANSFER | Page-01.127 | 012 |
| CM5295268 | CONNECTION, AIR INTAKE | Page-01.117 | 008 |
| CM5295271 | CONNECTION, EXHAUST OUTLET | Page-01.131 | 002 |
| CM5296363 | VALVE, CHECK | Page-01.9 | 002 |
| CM5296363 | VALVE, CHECK | Page-01.17 | 012 |
| CM5297244 | HARNESS, WIRING | Page-01.49 | 005 |
| CM5297640 | SENSOR, PRESSURE | Page-01.3 | 011 |
| CM5297858 | CONNECTOR, QCK DISCONNECT | Page-01.163 | 002 |
| CM5297957 | TUBE, FUEL DRAIN | Page-01.17 | 014 |
| CM5298148 | COUPLING, PLAIN HOSE | Page-01.137 | 004 |
| CM5298149 | CONNECTOR, BANJO | Page-01.137 | 005 |
| CM5298328 | HOSE, FLEXIBLE | Page-01.45 | 010 |
| CM5300573 | COVER, INTAKE MANIFOLD | Page-01.119 | 000 |
| CM5300932 | BRACKET, ENGINE LIFTING | Page-01.109 | 002 |
| CM5301043 | DIPSTICK | Page-01.67 | 000 |
| CM5301044 | DIPSTICK | Page-01.67 | 003 |
| CM5301045 | TUBE, OIL GAUGE | Page-01.67 | 004 |
| CM5301068 | ACTUATOR, ETR FUEL CONTR | Page-01.13 | 005 |
| CM5301204 | COVER, INTAKE MANIFOLD | Page-01.119 | 004 |
| CM5301206 | HEATER, INTAKE AIR | Page-01.119 | 005 |
| CM5301207 | SHIELD, HEAT | Page-01.111 | 002 |
| CM5301253 | SHIELD, HEAT | Page-01.113 | 003 |
| CM5301456 | COUPLING, PLAIN HOSE | Page-01.135 | 002 |
| CM5301688 | PUMP, WATER | Page-01.139 | 003 |
| CM5301852 | CONNECTION, AIR INTAKE | Page-01.117 | 000 |
| CM5302096 | BLOCK, CYLINDER | Page-01.79 | 000 |
| CM5303470 | CONNECTOR, QCK DISCONNECT | Page-01.163 | 000 |
| CM5304163 | TUBE, EXH CLR WATER OUTLET | Page-01.123 | 017 |
| CM5304191 | PIPE, AIR TRANSFER | Page-01.117 | 006 |
| CM5304807 | FILTER, FUEL | Page-01.5 | 002 |
| CM5305276 | HEAD, FUEL FILTER | Page-01.5 | 003 |
| CM5308370 | SCREW, BANJO CONNECTOR | Page-01.17 | 013 |
| CM5310214 | TUBE, LUB OIL SUCTION | Page-01.71 | 005 |
| CM5314775 | CAP, MAIN BEARING | Page-01.79 | 000 |
| CM5314776 | CAP, MAIN BEARING | Page-01.79 | 000 |
| CM5315765 | DOWEL, RING | Page-01.79 | 012 |
| CM7067 | DOWEL, PIN | Page-01.151 | 010 |