

## CITIPORT AT E6 Group List

Chapter	Description	Page
<b>01</b>	<b>Engine</b>	
01 01	Fuel Injection System	Page-01.2
01 02	Fuel Filter	Page-01.4
01 03	Fuel Pump & Fuel Piping	Page-01.8
01 04	Accelerator Pedal & Control	Page-01.22
01 05	Fuel Tank	Page-01.24
01 06	Fuel Piping (Chassis)	Page-01.30
01 07	Water Sedimenter, Fuel	Page-01.40
01 08	Turbocharger Sys.	Page-01.42
01 09	Turbocharger	Page-01.48
01 10	Air Cleaner	Page-01.52
01 11	Air Duct	Page-01.54
01 12	Oil Cooler & Oil Filter	Page-01.56
01 13	Oil Pump	Page-01.62
01 14	Oil Pan & Level Gauge	Page-01.66
01 15	Cylinder Head Cover	Page-01.72
01 16	Cylinder Head	Page-01.76
01 17	Cylinder Block	Page-01.78
01 18	Camshaft & Valve	Page-01.80
01 19	Crankshaft, Piston & Flywheel	Page-01.86
01 20	Timing Gear Case & Flywheel Housing	Page-01.96
01 21	Engine Mounting	Page-01.100
01 22	Inlet Manifold	Page-01.114
01 23	Exhaust Manifold	Page-01.122
01 24	Ventilation System	Page-01.132
01 25	Water Pump	Page-01.138
01 26	Thermostat & Housing	Page-01.142
01 27	Water Piping	Page-01.146
01 28	Fan & Fan Belt	Page-01.150
01 29	Hydraulic Actuating System	Page-01.156
01 30	Eng. Air Compr.	Page-01.160
01 31	Eng. Air Compr.	Page-01.162
01 32	Adblue Tank	Page-01.166
01 33	Starter	Page-01.168
01 34	Generator	Page-01.172
<b>02</b>	<b>Cooling System</b>	
02 01	Radiator	Page-02.2
02 02	Radiator Hose & Sub Tank	Page-02.6
<b>03</b>	<b>Transmission-Shift</b>	
03 01	Auto Transmission	Page-03.2
<b>04</b>	<b>Steering- Axle-Brake</b>	
04 01	Rear Wheel Brake	Page-04.2
04 02	Propeller Shaft	Page-04.4
04 03	Front Axle	Page-04.6
04 04	Rear Axle Case & Shaft & Rear Drum	Page-04.22
04 05	Steering Column & Shaft	Page-04.46
04 06	Steering Linkage	Page-04.48
04 07	Power Steering Control System (Chassis Side)	Page-04.52
04 08	Power Steering System	Page-04.60
04 09	Road Wheel	Page-04.62

## CITIPORT AT E6 Group List

Chapter	Description	Page
04 10	Tools	Page-04.64
<b>05</b>	<b>Suspension</b>	
05 01	Front Suspension	Page-05.2
05 02	Rear Suspension	Page-05.6
05 03	Rear Shock Absorber	Page-05.12
<b>06</b>	<b>Exterior Trim</b>	
06 01	Exterior Trim	Page-06.2
06 02	Trunk Covers	Page-06.10
06 03	Emergency Exit And Ventilation Unit	Page-06.24
06 04	Trunk Panels	Page-06.26
06 05	Floor And Seat Panels	Page-06.28
06 06	Front Floor Panels	Page-06.32
06 07	Exterior Panels, Front And Rear Masks	Page-06.34
06 08	Step Aluminium Lining	Page-06.36
06 09	Glasses	Page-06.38
06 10	Door Aluminium & Rubbers	Page-06.42
06 11	Door Handle & Lock	Page-06.46
06 12	Rh Front Door	Page-06.48
06 13	Rear Door	Page-06.50
06 14	Middle Door	Page-06.52
06 15	Front Door Mechanism	Page-06.54
06 16	Rear Door Mechanism	Page-06.56
06 17	Middle Door Mechanism	Page-06.60
06 18	Labels & Strips	Page-06.64
06 19	Strips	Page-06.70
<b>07</b>	<b>Interior Trim</b>	
07 01	Floor Veneers	Page-07.2
07 02	Door&Trunk Dust Seals,Floor Mat & Insulation Materials	Page-07.4
07 03	Ceiling And Side Veneers	Page-07.10
07 04	Engine Covers & Digital Route Panel	Page-07.22
07 05	Instrument Panel & Box	Page-07.26
07 06	Seats	Page-07.34
07 07	Upper Shelf	Page-07.40
<b>08</b>	<b>Electric&amp;Electronic</b>	
08 01	Meter Asm	Page-08.2
08 02	Windshield Wiper & Washer	Page-08.4
08 03	Headlamps, Fog,Park,Signal,Stop And Plate Lamps	Page-08.6
08 04	Interior Lamps	Page-08.18
08 05	Chassis Electrical Parts	Page-08.20
08 06	Harness	Page-08.22
08 07	Rear Heater Unit And Piping	Page-08.32
08 08	Heater Unit	Page-08.46
08 09	Air Condition	Page-08.50
08 10	Radio Antenna & Speakers	Page-08.56
08 11	Tv & Video	Page-08.60
<b>09</b>	<b>Air System</b>	
09 01	Air System	Page-09.2
<b>10</b>	<b>Exhaust</b>	
10 01	Exhaust Pipe & Silencer	Page-10.2
<b>11</b>	<b>Carcass</b>	

## CITIPORT AT E6 Group List

<b>Chapter</b>	<b>Description</b>	<b>Page</b>
11 01	Floor Carcass Asm	Page-11.2
11 02	Carcass Asm, Lh Side	Page-11.6
11 03	Carcass Asm, Roof	Page-11.8
11 04	Carcass Asm , Front	Page-11.10
11 05	Carcass Asm , Rear	Page-11.12

**ISUZU**



ANADOLU GRUBU

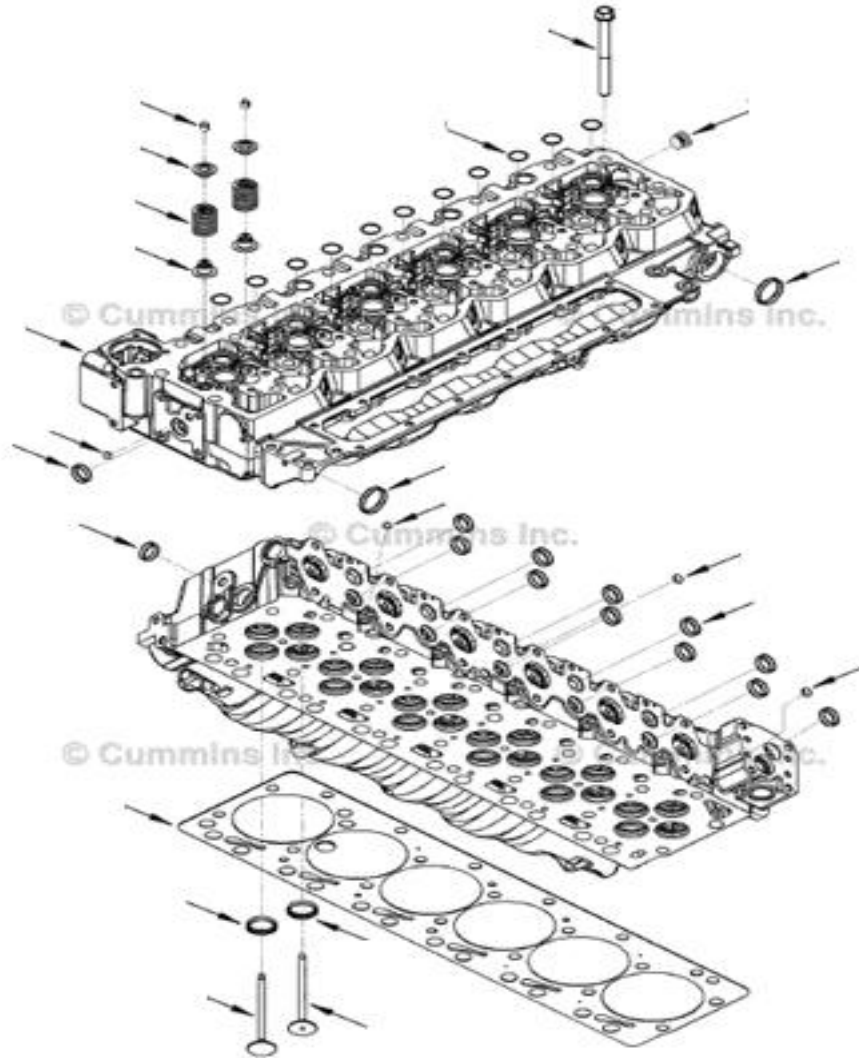
## CITIPORT AT E6

01-Engine

**0101**

**Engine**

**Fuel Injection System**



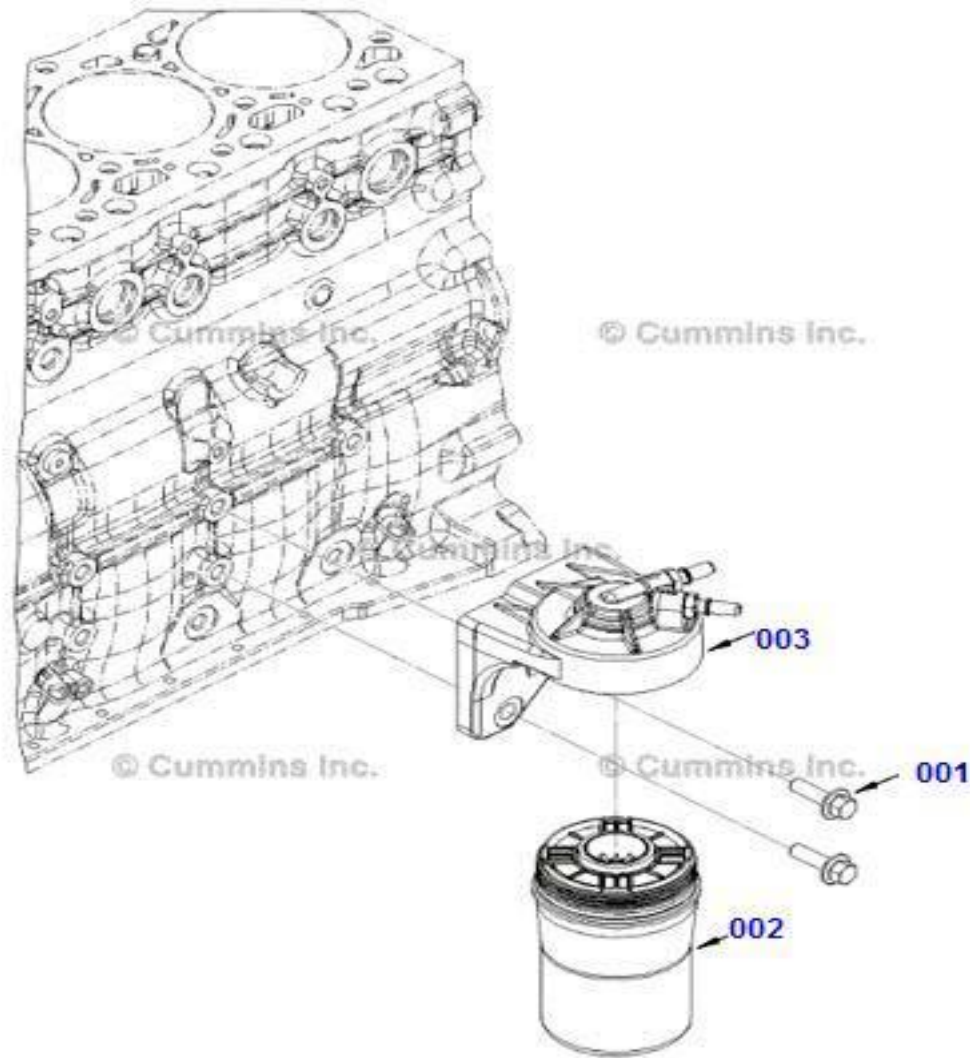
Picture No: PP989GJ-00

POZ	Part No	N.S.N	Code	Part Name (Türkçe)	Part Name (English)	Quantity
				<i>Fuel Injection System</i>		
000	CM4929864			CONNECTOR, INJ FUEL SUPPLY	CONNECTOR, INJ FUEL SUPPLY	
001	CM3900628			SCREW, HEX FLANGE HEAD CAP	SCREW, HEX FLANGE HEAD CAP	
002	CM3900633			SCREW, HEX FLANGE HEAD CAP	SCREW, HEX FLANGE HEAD CAP	
003	CM3972753			SEAL, O RING	SEAL, O RING	
004	CM4929865			CONNECTOR, INJ FUEL SUPPLY	CONNECTOR, INJ FUEL SUPPLY	
005	CM4935974			TUBE, INJECTOR FUEL SUPPLY	TUBE, INJECTOR FUEL SUPPLY	
006	CM4935976			TUBE, INJECTOR FUEL SUPPLY	TUBE, INJECTOR FUEL SUPPLY	
007	CM4935981			TUBE, INJECTOR FUEL SUPPLY	TUBE, INJECTOR FUEL SUPPLY	
008	CM4935982			TUBE, INJECTOR FUEL SUPPLY	TUBE, INJECTOR FUEL SUPPLY	
009	CM4937282			MANIFOLD, FUEL	MANIFOLD, FUEL	
010	CM4938005			VALVE, PRESSURE RELIEF	VALVE, PRESSURE RELIEF	
011	CM5297640			SENSOR, PRESSURE	SENSOR, PRESSURE	
012	CM5256034			INJECTOR	INJECTOR	
013	CM3976371			SEAL, INJECTOR	SEAL, INJECTOR	
014	CM3977393			SEAL, O RING	SEAL, O RING	
015	CM5259180			CLAMP, INJECTOR	CLAMP, INJECTOR	
016	CM5264181			RETAINER, INJ FUL SUP CNR	RETAINER, INJ FUL SUP CNR	
<b>Fuel Injection System</b>				<b>Engine</b>		<b>0101</b>

**0102**

**Engine**

**Fuel Filter**



Picture No: FF977GX-00

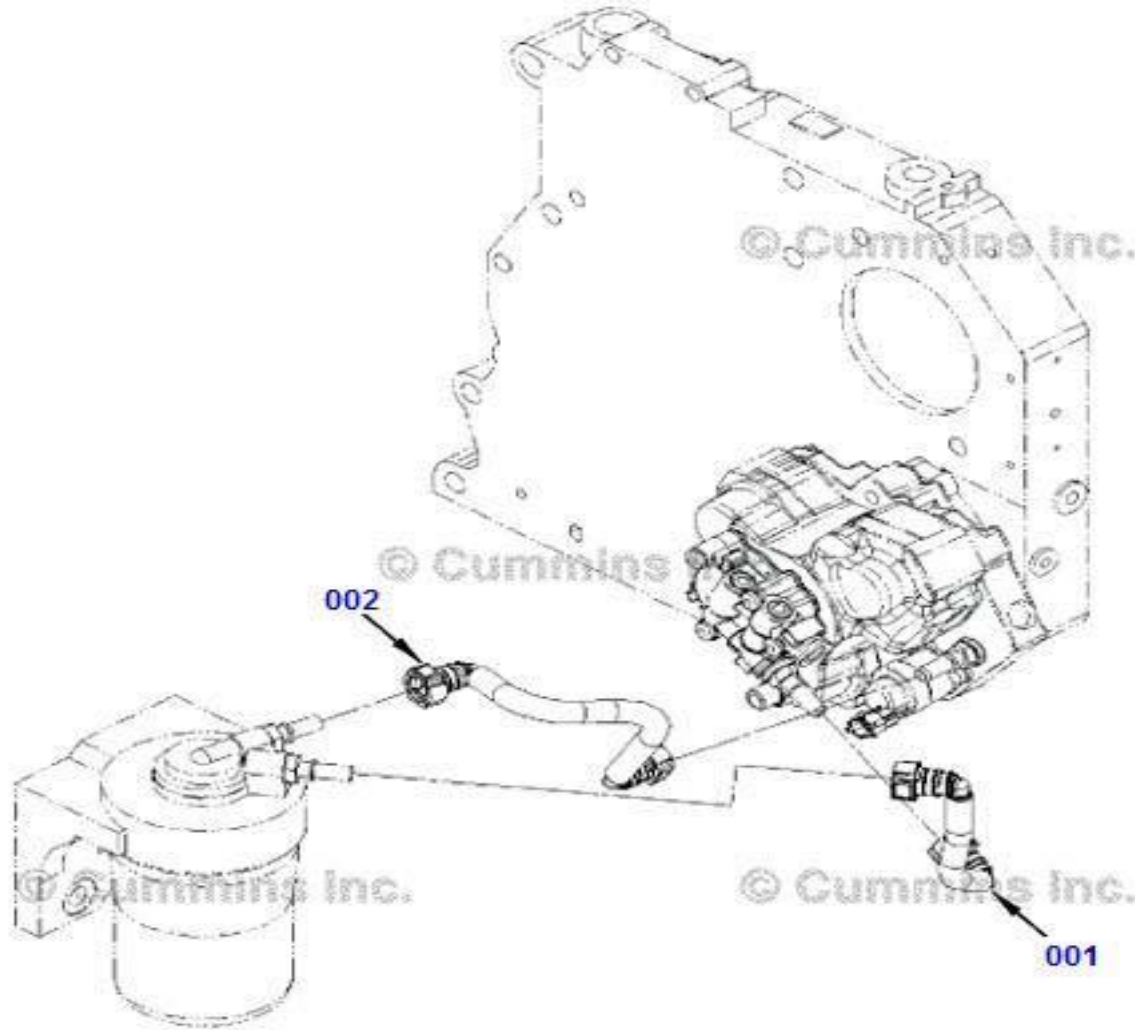
POZ	Part No	N.S.N	Code	Part Name (Türkçe)	Part Name (English)	Quantity
				<i>Fuel Filter</i>		
000	CM3900631			SCREW, HEX FLANGE HEAD CAP	SCREW, HEX FLANGE HEAD CAP	
000	CM4932615			GASKET, CONNECTION	GASKET, CONNECTION	
000	CM5270057			HOSE, PLAIN	HOSE, PLAIN	
001	CM3900637			SCREW, HEX FLANGE HEAD CAP	SCREW, HEX FLANGE HEAD CAP	
002	CM5304807			FILTER, FUEL	FILTER, FUEL	
003	CM5305276			HEAD, FUEL FILTER	HEAD, FUEL FILTER	
<b>Fuel Filter</b>				<b>Engine</b>		<b>0102</b>



**0102**

**Engine**

**Fuel Filter**



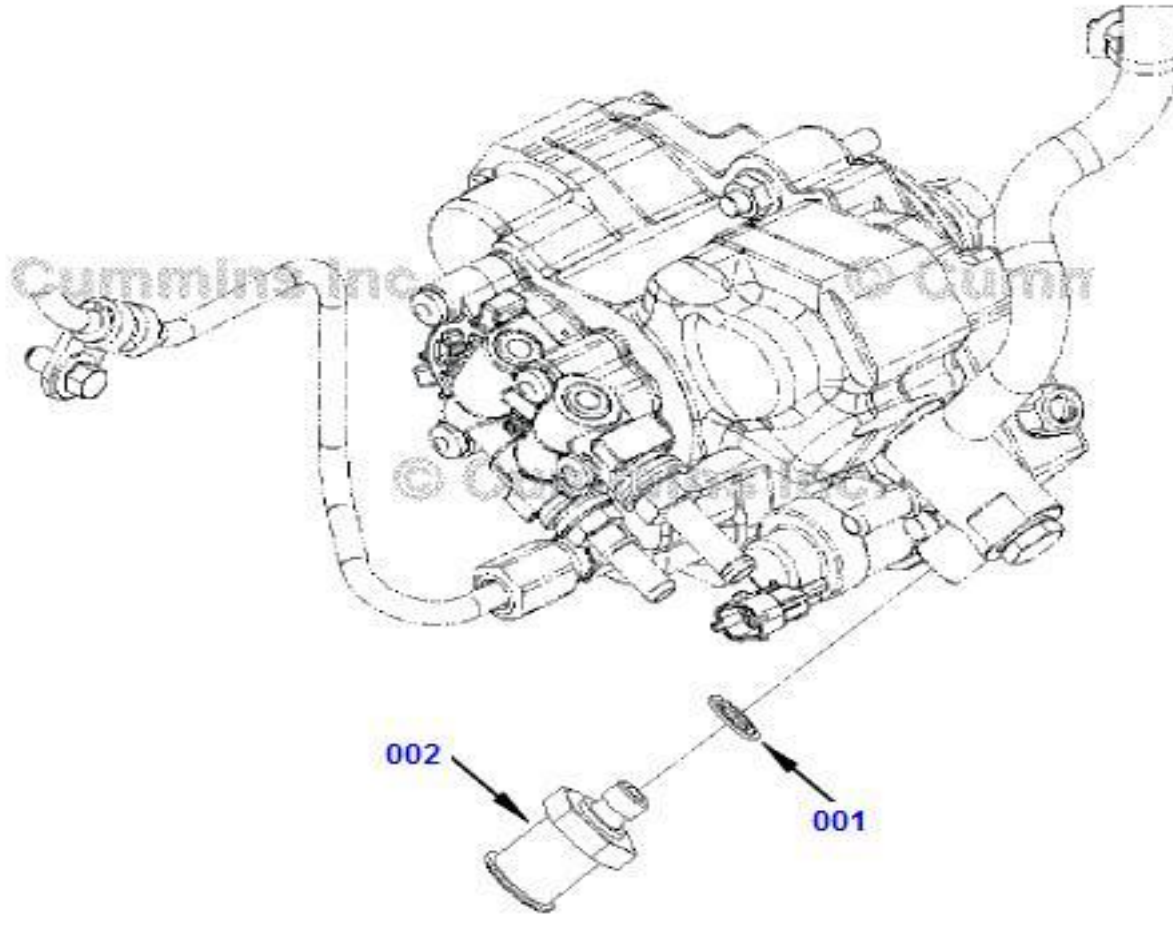
Picture No: FF977GY-00



**0103**

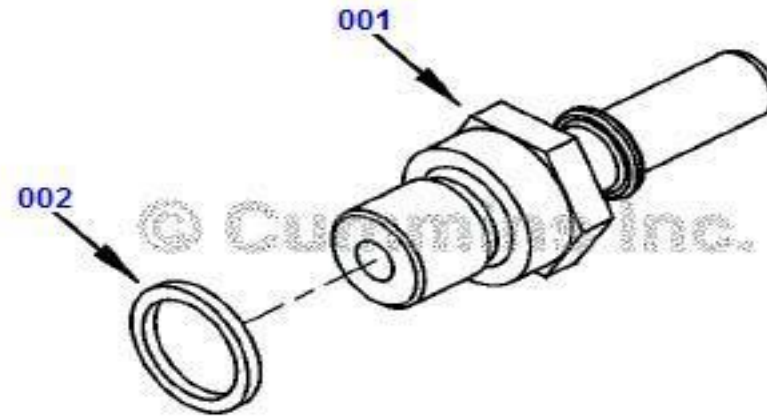
**Engine**

**Fuel Pump & Fuel Piping**



Picture No: DL952GX-00

POZ	Part No	N.S.N	Code	Part Name (Türkçe)	Part Name (English)	Quantity
001	CM3963990			<i>Fuel Pump &amp; Fuel Piping</i>		
002	CM5296363			WASHER, SEALING	WASHER, SEALING	
				VALVE, CHECK	VALVE, CHECK	
Fuel Pump & Fuel Piping				Engine		0103

**0103****Engine****Fuel Pump & Fuel Piping**

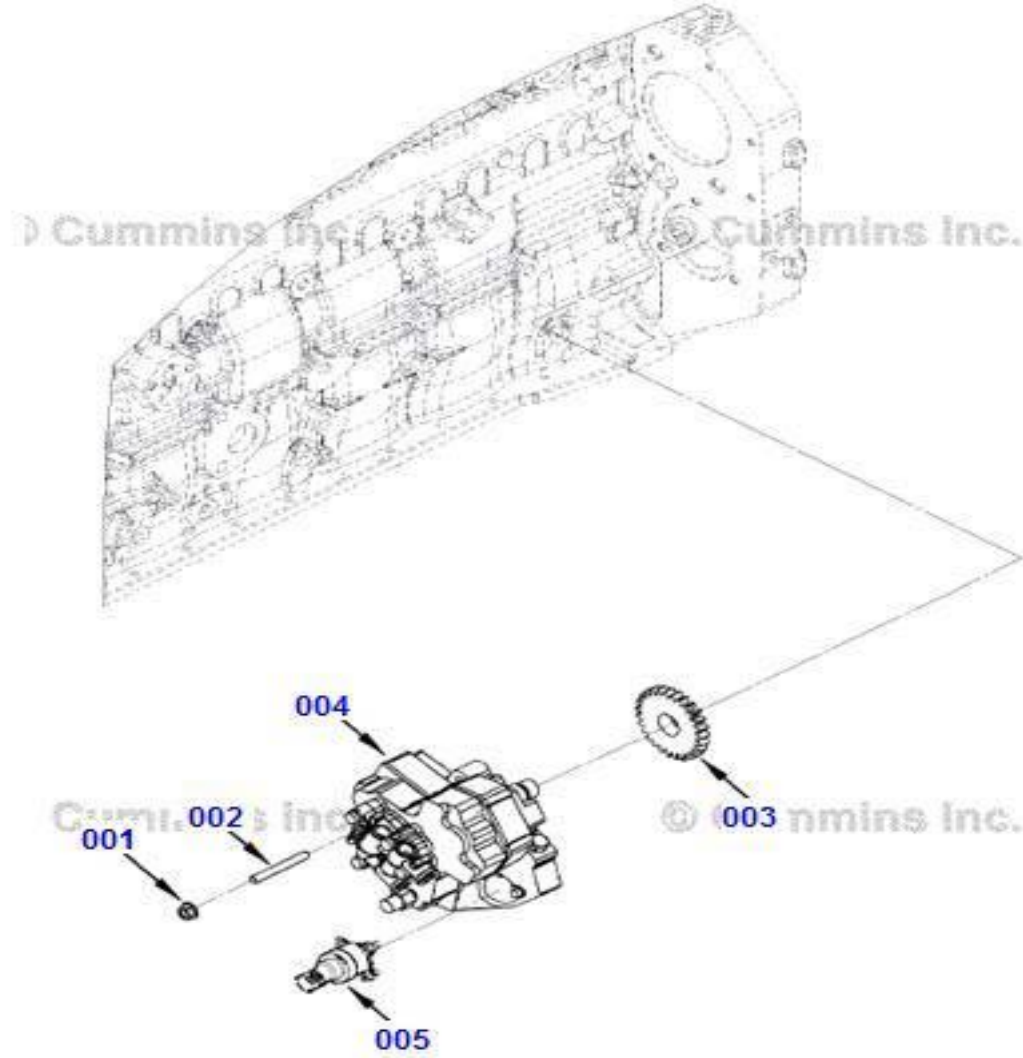
Picture No: F1950GK-00

POZ	Part No	N.S.N	Code	Part Name (Türkçe)	Part Name (English)	Quantity
				<i>Fuel Pump &amp; Fuel Piping</i>		
001	CM5262073			CONNECTOR, QCK DISCONNECT	CONNECTOR, QCK DISCONNECT	
002	CM3963988			WASHER, SEALING	WASHER, SEALING	
<b>Fuel Pump &amp; Fuel Piping</b>				<b>Engine</b>		<b>0103</b>

**0103**

**Engine**

**Fuel Pump & Fuel Piping**



Picture No: FP967GH-00



POZ	Part No	N.S.N	Code	Part Name (Türkçe)	Part Name (English)	Quantity
				<i>Fuel Pump &amp; Fuel Piping</i>		
001	CM3900589			NUT, HEXAGON FLANGE	NUT, HEXAGON FLANGE	
002	CM3949419			STUD, DOUBLE END PLAIN	STUD, DOUBLE END PLAIN	
003	CM3955153			GEAR, FUEL PUMP	GEAR, FUEL PUMP	
004	CM5263094			PUMP, FUEL INJECTION	PUMP, FUEL INJECTION	
005	CM5301068			ACTUATOR, ETR FUEL CONTR	ACTUATOR, ETR FUEL CONTR	
				<b>Fuel Pump &amp; Fuel Piping</b>	<b>Engine</b>	<b>0103</b>



**0103**

**Engine**

**Fuel Pump & Fuel Piping**



Picture No: FS963GK-00

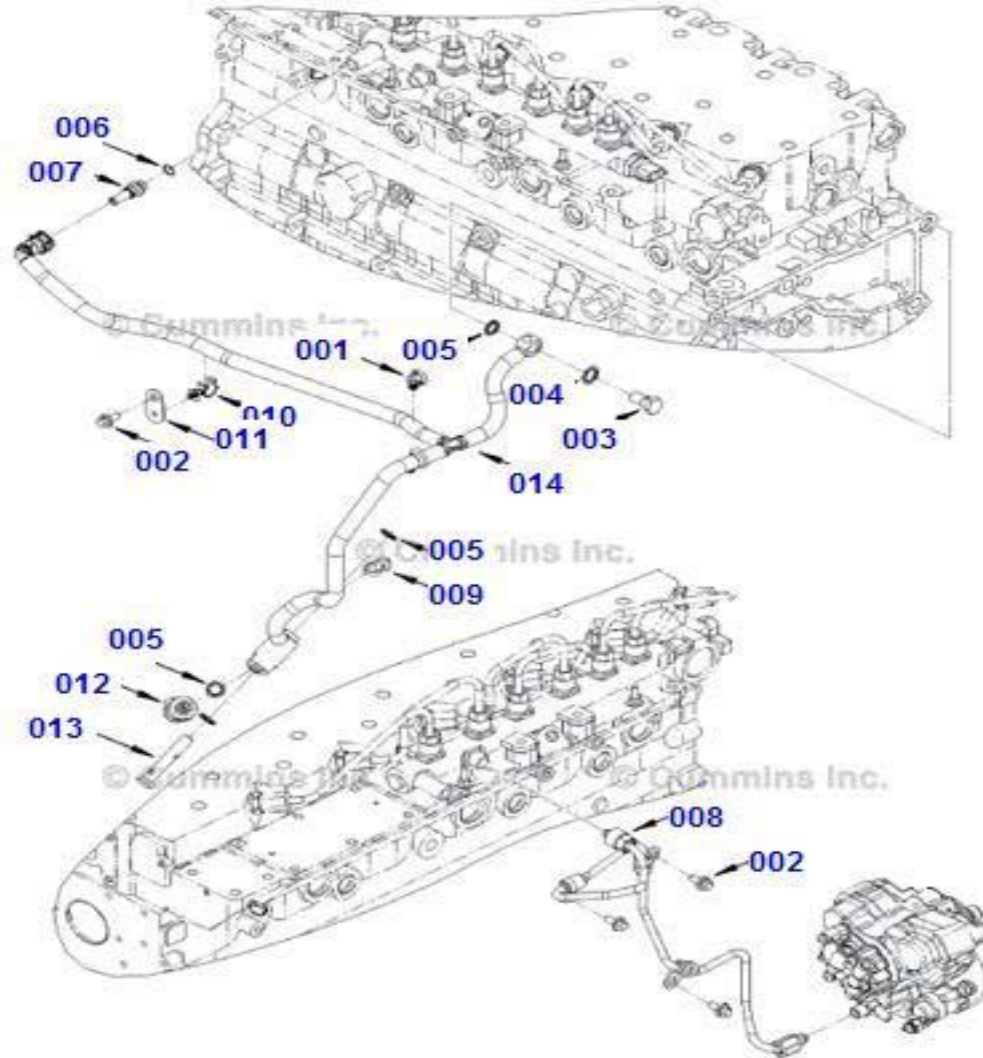


POZ	Part No	N.S.N	Code	Part Name (Türkçe)	Part Name (English)	Quantity
				<i>Fuel Pump &amp; Fuel Piping</i>		
000	CM5254441			FILTER, FUEL	FILTER, FUEL	
001	CM4995590			HARNESS, WIRING	HARNESS, WIRING	
002	CM4934879			FILTER, FUEL	FILTER, FUEL	
003	CM5259880			HEAD, FUEL FILTER	HEAD, FUEL FILTER	
				<b>Fuel Pump &amp; Fuel Piping</b>	<b>Engine</b>	<b>0103</b>

**0103**

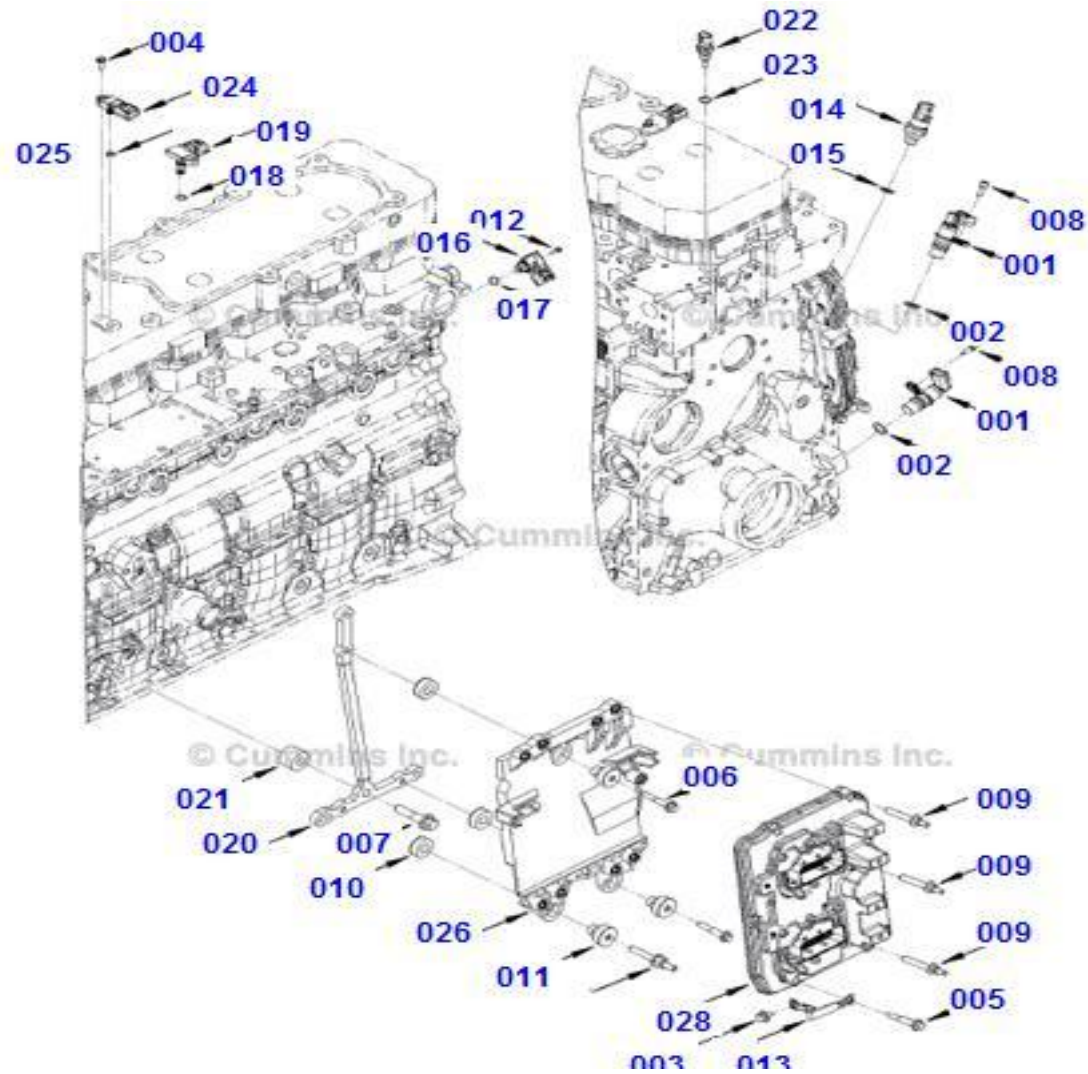
**Engine**

**Fuel Pump & Fuel Piping**



Picture No: FT974GT-00

POZ	Part No	N.S.N	Code	Part Name (Türkçe)	Part Name (English)	Quantity
				<i>Fuel Pump &amp; Fuel Piping</i>		
000	CM4943660			CONNECTOR, QCK DISCONNECT	CONNECTOR, QCK DISCONNECT	
000	CM5263091			BRACE, TUBE	BRACE, TUBE	
001	CM3287727			CLIP, WIRE RETAINING	CLIP, WIRE RETAINING	
002	CM3900629			SCREW, HEX FLANGE HEAD CAP	SCREW, HEX FLANGE HEAD CAP	
003	CM3957290			VALVE, CHECK	VALVE, CHECK	
004	CM3963988			WASHER, SEALING	WASHER, SEALING	
005	CM3963990			WASHER, SEALING	WASHER, SEALING	
006	CM3103226			SEAL, O RING	SEAL, O RING	
007	CM4942070			CONNECTOR, QCK DISCONNECT	CONNECTOR, QCK DISCONNECT	
008	CM4980292			TUBE, FUEL SUPPLY	TUBE, FUEL SUPPLY	
009	CM4992639			CLAMP, WIRE TIE	CLAMP, WIRE TIE	
010	CM5263093			CLIP	CLIP	
011	CM5268244			BRACE, TUBE	BRACE, TUBE	
012	CM5296363			VALVE, CHECK	VALVE, CHECK	
013	CM5308370			SCREW, BANJO CONNECTOR	SCREW, BANJO CONNECTOR	
014	CM5297957			TUBE, FUEL DRAIN	TUBE, FUEL DRAIN	
<b>Fuel Pump &amp; Fuel Piping</b>				<b>Engine</b>		<b>0103</b>

**0103****Engine****Fuel Pump & Fuel Piping**

Picture No: PH967GV-00

POZ	Part No	N.S.N	Code	Part Name (Türkçe)	Part Name (English)	Quantity
				<i>Fuel Pump &amp; Fuel Piping</i>		
000	CM4921850			SENSOR, PRS TEMPERATURE	SENSOR, PRS TEMPERATURE	
000	CM5290171			MODULE, ELECTRONIC CONTROL	MODULE, ELECTRONIC CONTROL	
001	CM2872277			SENSOR, POSITION	SENSOR, POSITION	
002	CM4928599			SEAL, O RING	SEAL, O RING	
003	CM3093956			SCREW, HEX FLANGE HEAD CAP	SCREW, HEX FLANGE HEAD CAP	
004	CM3679118			SCREW, HEX FLANGE HEAD CAP	SCREW, HEX FLANGE HEAD CAP	
005	CM3900633			SCREW, HEX FLANGE HEAD CAP	SCREW, HEX FLANGE HEAD CAP	
006	CM3901445			SCREW, HEX FLANGE HEAD CAP	SCREW, HEX FLANGE HEAD CAP	
007	CM3902116			SCREW, HEX FLANGE HEAD CAP	SCREW, HEX FLANGE HEAD CAP	
008	CM3906391			SCREW, SOCKET HEAD CAP	SCREW, SOCKET HEAD CAP	
009	CM3944816			SCREW, STUDDED FLANGE CAP	SCREW, STUDDED FLANGE CAP	
010	CM3955219			ISOLATOR, VIBRATION	ISOLATOR, VIBRATION	
011	CM3955220			ISOLATOR, VIBRATION	ISOLATOR, VIBRATION	
012	CM3957849			SCREW, SOCKET HEAD CAP	SCREW, SOCKET HEAD CAP	
013	CM3977357			WIRE, GROUND	WIRE, GROUND	
014	CM4076930			SWITCH, PRESSURE	SWITCH, PRESSURE	
015	CM4921574			SEAL, O RING	SEAL, O RING	
016	CM4921322			SENSOR, PRS TEMPERATURE	SENSOR, PRS TEMPERATURE	
017	CM4903482			SEAL, O RING	SEAL, O RING	
018	CM4076420			SEAL, O RING	SEAL, O RING	
019	CM4928395			SENSOR, PRS TEMPERATURE	SENSOR, PRS TEMPERATURE	
020	CM4930487			BRACKET, ETR CNT MODULE	BRACKET, ETR CNT MODULE	
021	CM4930488			SPACER, MOUNTING	SPACER, MOUNTING	
022	CM4954905			SENSOR, TEMPERATURE	SENSOR, TEMPERATURE	
023	CM4010519			SEAL, O RING	SEAL, O RING	
024	CM4984575			SENSOR, PRESSURE	SENSOR, PRESSURE	
025	CM4928592			SEAL, O RING	SEAL, O RING	
026	CM5253177			BRACKET, ETR CNT MODULE	BRACKET, ETR CNT MODULE	

Fuel Pump &amp; Fuel Piping

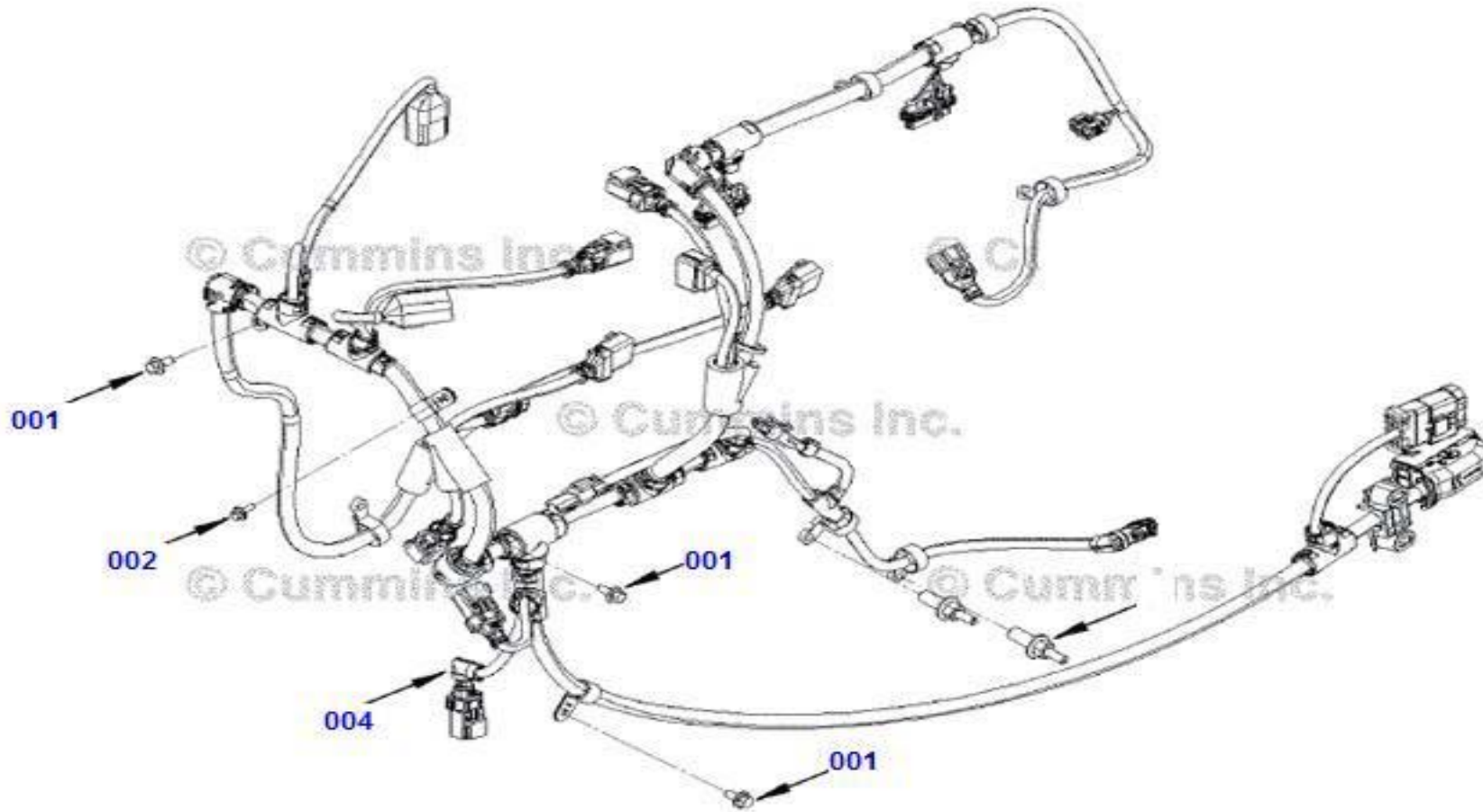
Engine

0103

**0103**

**Engine**

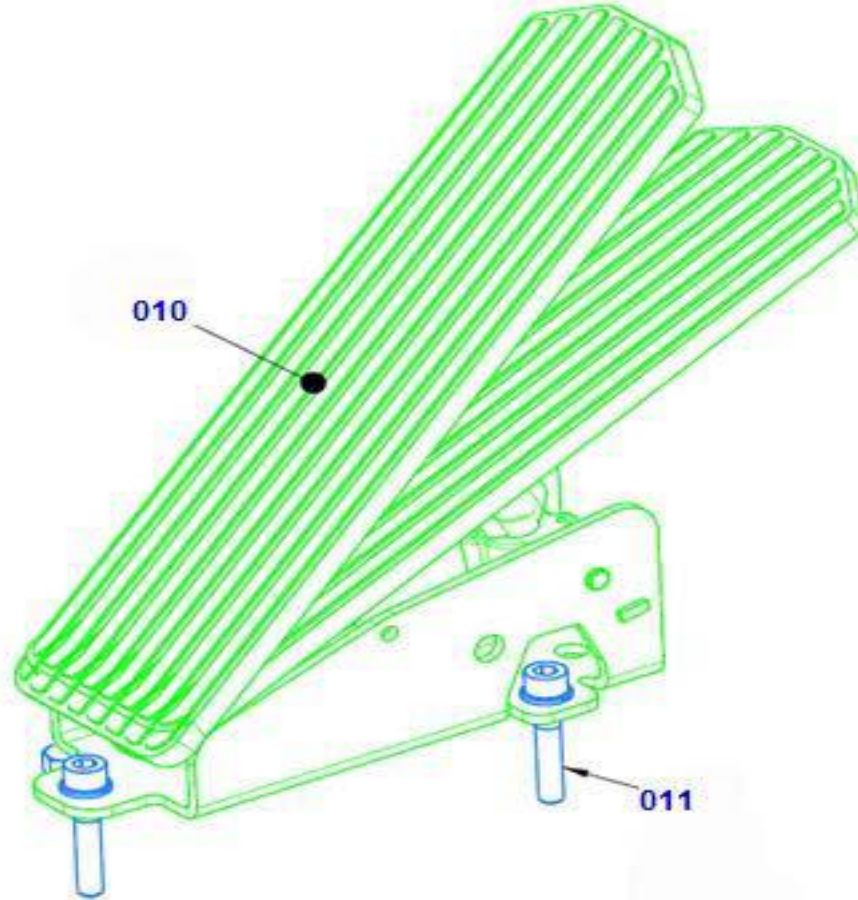
**Fuel Pump & Fuel Piping**



Picture No: WR968GM-00

POZ	Part No	N.S.N	Code	Part Name (Türkçe)	Part Name (English)	Quantity
				<i>Fuel Pump &amp; Fuel Piping</i>		
001	CM3900629			SCREW, HEX FLANGE HEAD CAP	SCREW, HEX FLANGE HEAD CAP	
002	CM3913638			SCREW, HEX FLANGE HEAD CAP	SCREW, HEX FLANGE HEAD CAP	
003	CM3972984			SCREW, STUDDED FLANGE CAP	SCREW, STUDDED FLANGE CAP	
004	CM5293836			HARNESS, ETR CNT MDL WRG	HARNESS, ETR CNT MDL WRG	
				<b>Fuel Pump &amp; Fuel Piping</b>	<b>Engine</b>	<b>0103</b>



**0104****Engine****Accelerator Pedal & Control**

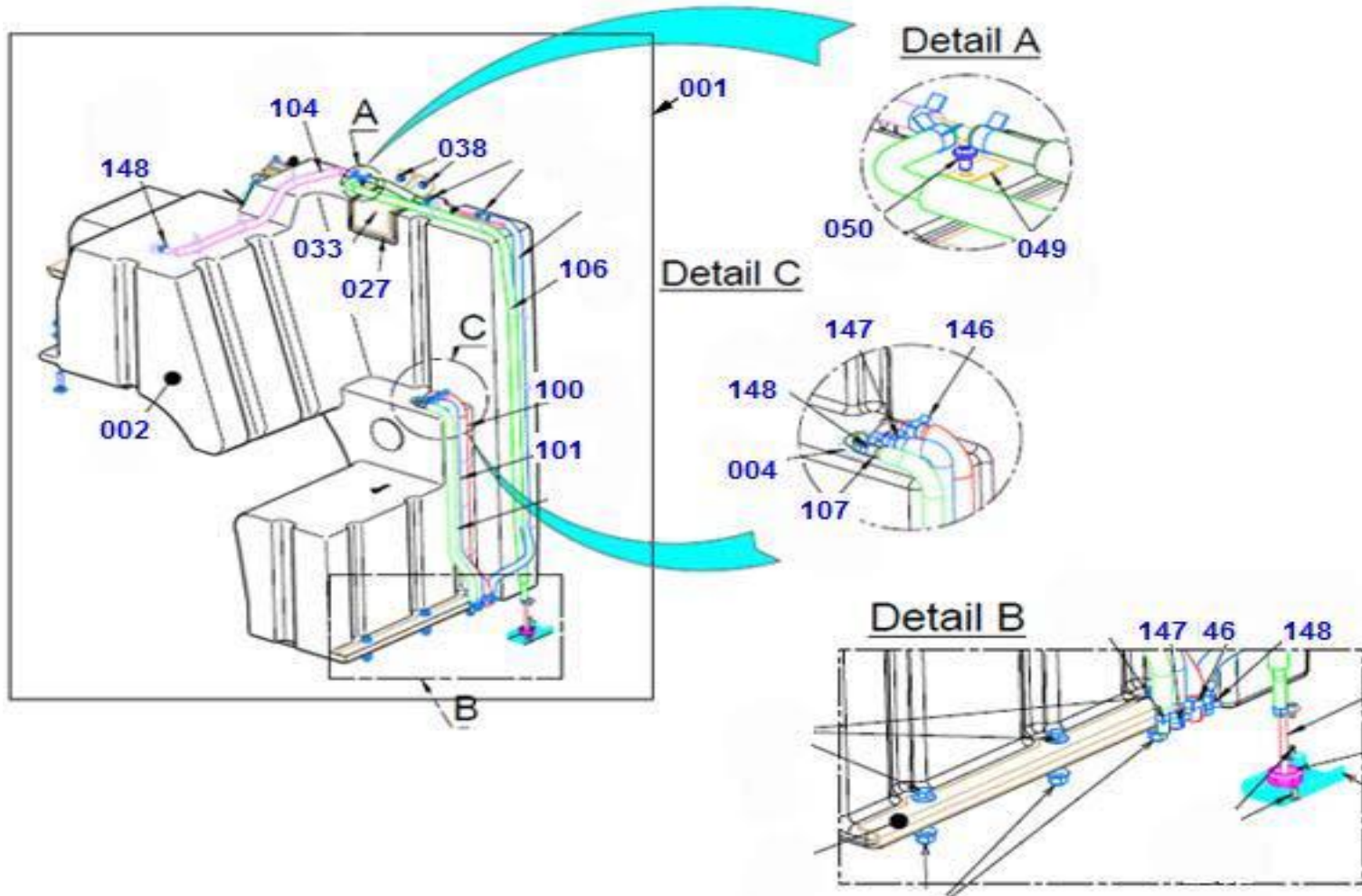
Picture No: EPL341010100-00



0105

Engine

Fuel Tank



Picture No: EPL341400100-00

POZ	Part No	N.S.N	Code	Part Name (Türkçe)	Part Name (English)	Quantity
				<i>Fuel Tank</i>		
001	387032985301			YAKIT TANKI, KOMPLE	FUEL TANK, ASM.	1
002	387036539101			YAKIT TANKI GOVDESİ, 300 LT	FUEL TANK BODY, 300 LT	1
004	387036888101			EMİS SETİ, YAKIT TANKI	SUCTION SET, FUEL TANK	1
027	387035043001			İZOLASYON, YAKIT TANKI, UST	INSULATION, FUEL TANK, TOP	1
033	387033550001			BRAKET, YAKIT TANKI, UST	PIPE, AIR INTAKE	1
038	300121020601			CIVATA, FLN M10X1. 5X20, KALIN D. DIN6921	BOLT, FLN M10X1. 5X20, COARSE T. DIN6921	2
049	387019822001			T BORU, GUVENLIK VALFI	T PIPE, PR. VALVE	1
050	301600610301			VIDA M6 M. B. DIN 7985	SCREW M6 DIN 7985	1
100	387038768101			HORTUM, YT, YAKIT EMİS	PIPE, AIR INTAKE	1
101	387038769101			HORTUM, YT, YAKIT DONUS	PIPE, AIR INTAKE	1
104	387038008101			HORTUM, GV ON	PIPE, AIR INTAKE	1
106	387038010101			HORTUM, DEPO HAVALANDIRMA	PIPE, AIR INTAKE	2
107	387039028001			TAPA Ø8, ON İSİTİCİ BORUSU	PLUG Ø8, PIPE, PREHEATER	2
146	387035644001			KELEPCE, HORTUM CAP 22	PIPE, AIR INTAKE	2
147	377779880001			KELEPCE, HORTUM CAP 18	CLAMPING, HOSE DIAMETER 18	2
148	377779879001			KELEPCE, HORTUM	CLAMP, HOSE	8

Fuel Tank

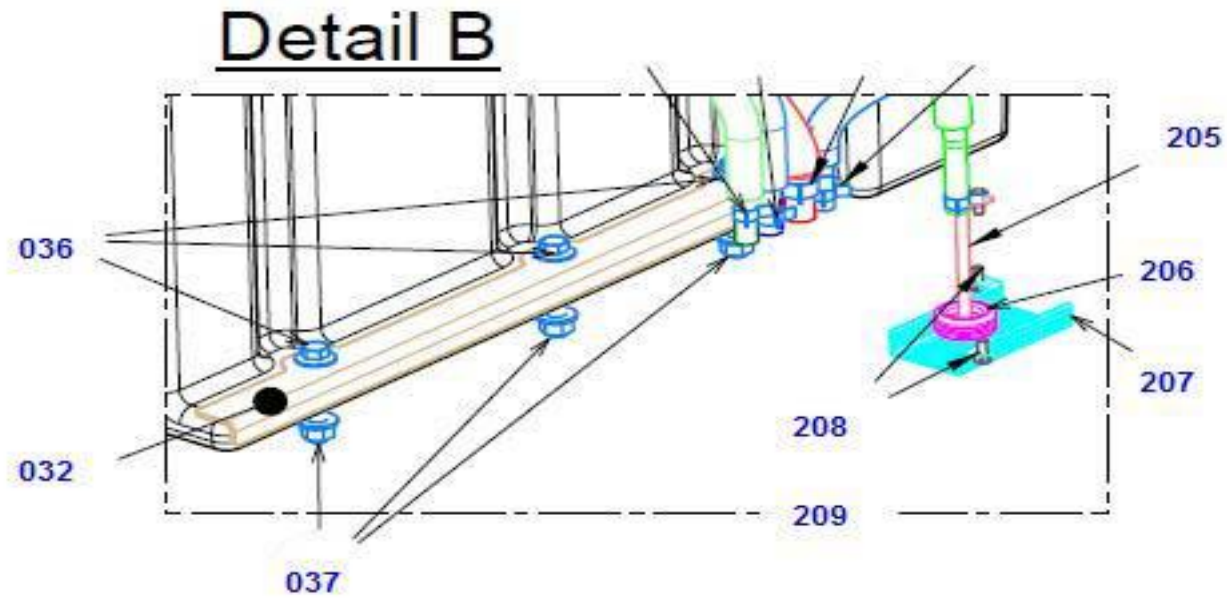
Engine

0105

**0105**

**Engine**

**Fuel Tank**



Picture No: EPL341400100-01



POZ	Part No	N.S.N	Code	Part Name (Türkçe)	Part Name (English)	Quantity
				<i>Fuel Tank</i>		
032	387037904001			MONTAJ PLAKASI, YT ARKA	PIPE, AIR INTAKE	1
036	300121270601			CIVATA, FLN M12X1. 75X70 KALIN D. DIN6921	BOLT, FLN M12X1. 75X70 COARSE T. DIN6921	3
037	300620012601			SOMUN, FLN M12X1. 75, KALIN D. DIN6923	NUT, FLN M12X1. 75, COARSE T. DIN6923	4
205	387040022301			BORU, HAVALANDIRMA, YAKIT TANKI	PIPE, VENTILATION, FUEL TANK	1
206	387025671001			GROMET	GROMMET	1
207	387040023001			SAC, KORUMA, YT HAVALANDIRMA	SHEET, PROTECTION, FT VENTILATION	1
208	300010614001			CIVATA, AKB M6X1X14, KALIN D. DIN933	BOLT, HEX M6X1X14, COARSE T. DIN933	3
209	301000006001			RONDELA, DUZ D=6 DIN 125	PIPE, AIR INTAKE	3

Fuel Tank

Engine

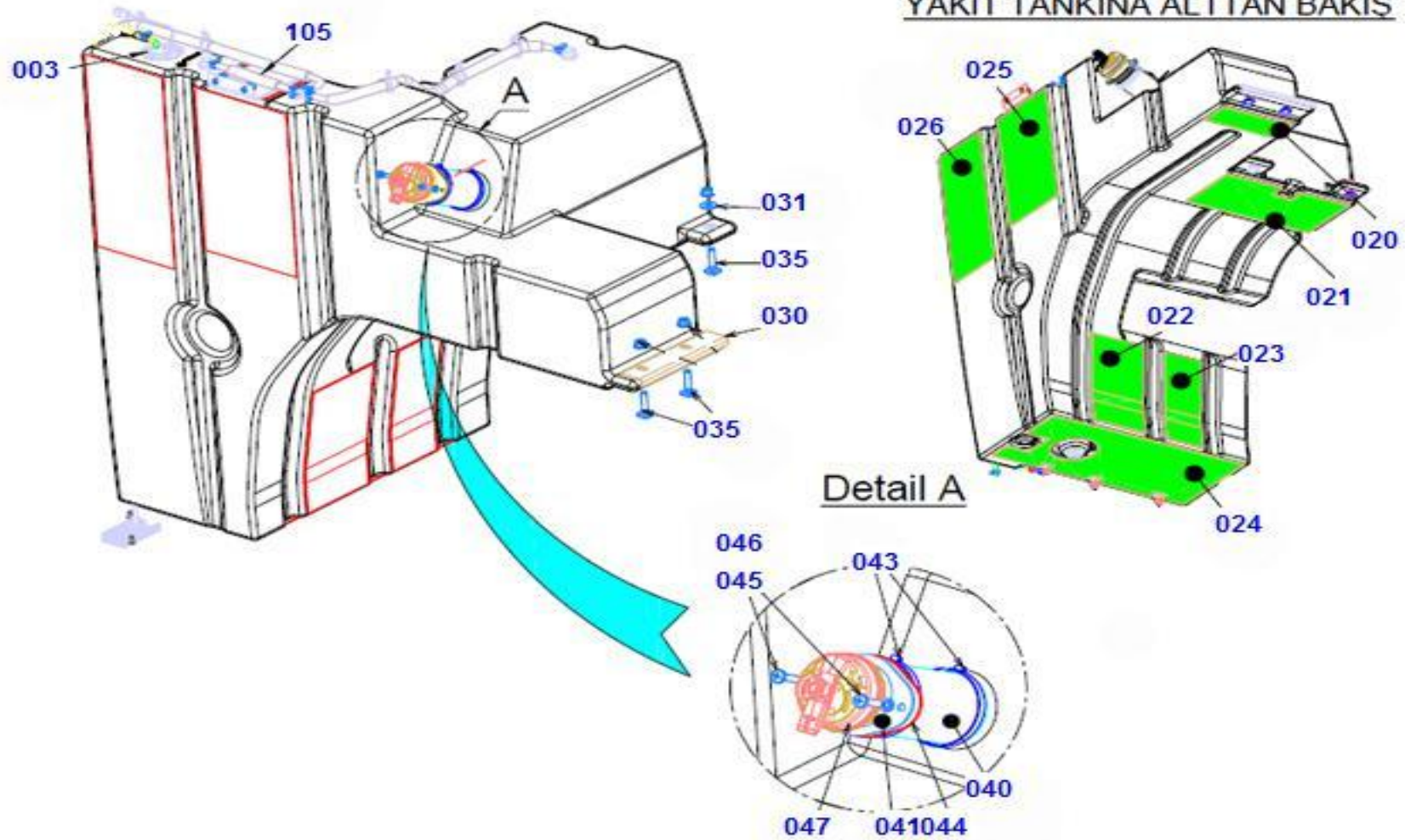
0105



**0105**

**Engine**

**Fuel Tank**



Picture No: EPL341400200-00

POZ	Part No	N.S.N	Code	Part Name (Türkçe)	Part Name (English)	Quantity
				<i>Fuel Tank</i>		
003	387036705001			SAMANDIRA, YAKIT TANKI	FLOAT, FUEL TANK	1
020	387038763001			IZOLASYON, YT ON	INSULATION, FRONT	1
021	387038764001			IZOLASYON, YT ON 2	INSULATION, FRONT 2	1
022	387038765001			IZOLASYON, YT CAMURLUK 1	INSULATION, MUDGUARD 1	1
023	387038766001			IZOLASYON, YT CAMURLUK 2	INSULATION, MUDGUARD 2	1
024	387038767001			IZOLASYON, YT ALT, ARKA	INSULATION, BOTTOM, REAR	1
025	387039023001			IZOLASYON, YT, YAN PANO 1	INSULATION, SIDE PANEL 1	1
026	387039024001			IZOLASYON, YT, YAN PANO 2	INSULATION, SIDE PANEL 2	1
030	387037905001			MONTAJ PLAKASI, YT ON	PIPE, AIR INTAKE	1
031	387039027001			PUL, YT BAGLANTI	PIPE, AIR INTAKE	2
035	387020806001			T CIVATA, M12	T BOLT, M12	4
040	387035045001			YAKIT DOLUM HORTUMU	FUEL FILLING HOSE	1
041	387039941201			DOLUM BOGAZI, YAKIT TANKI	FILLING PIPE, FUEL TANK	1
043	305350080801			KELEPCE, VIDALI B9, Ø80-100, DIN3017	CLAMP, W/BOLT B9, Ø80-100, DIN3017	2
044	387023227101			CONTA, DOLUM BOGAZI	RING, FUEL LEAKAGE FUEL NECK	1
045	301010008201			RONDELA, YAYLI D=8 DIN 127	WASHER, SPRING D= 8 DIN 127	2
046	301600830301			VIDA, M8X30	SCREW, M8X30	2
047	387040564001			SET, DEPO KAPAKLARI	SET, TANK CAPS	1
105	387038009101			HORTUM, GV ARKA	PIPE, AIR INTAKE	1

Fuel Tank

Engine

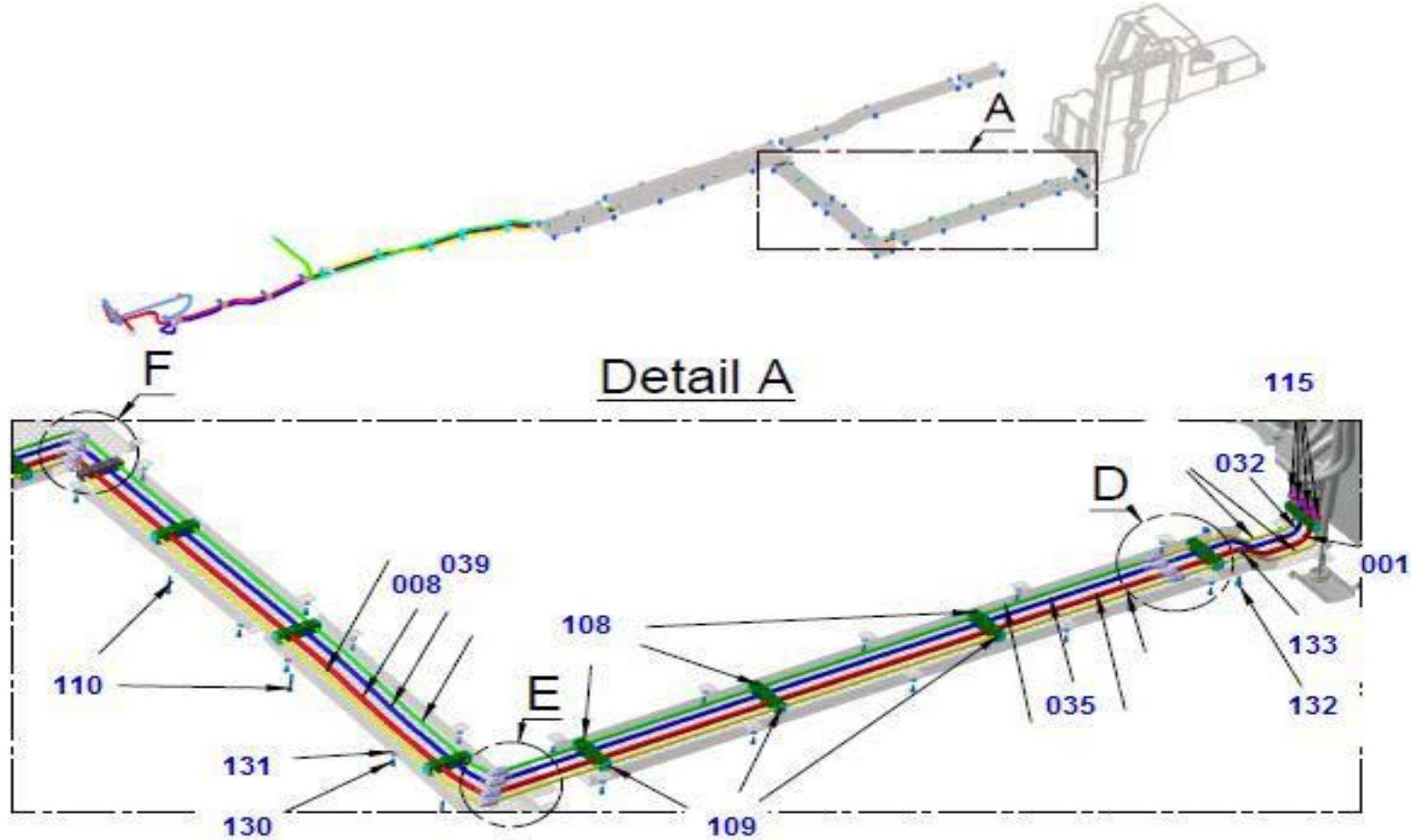
0105



0106

Engine

Fuel Piping (Chassis)



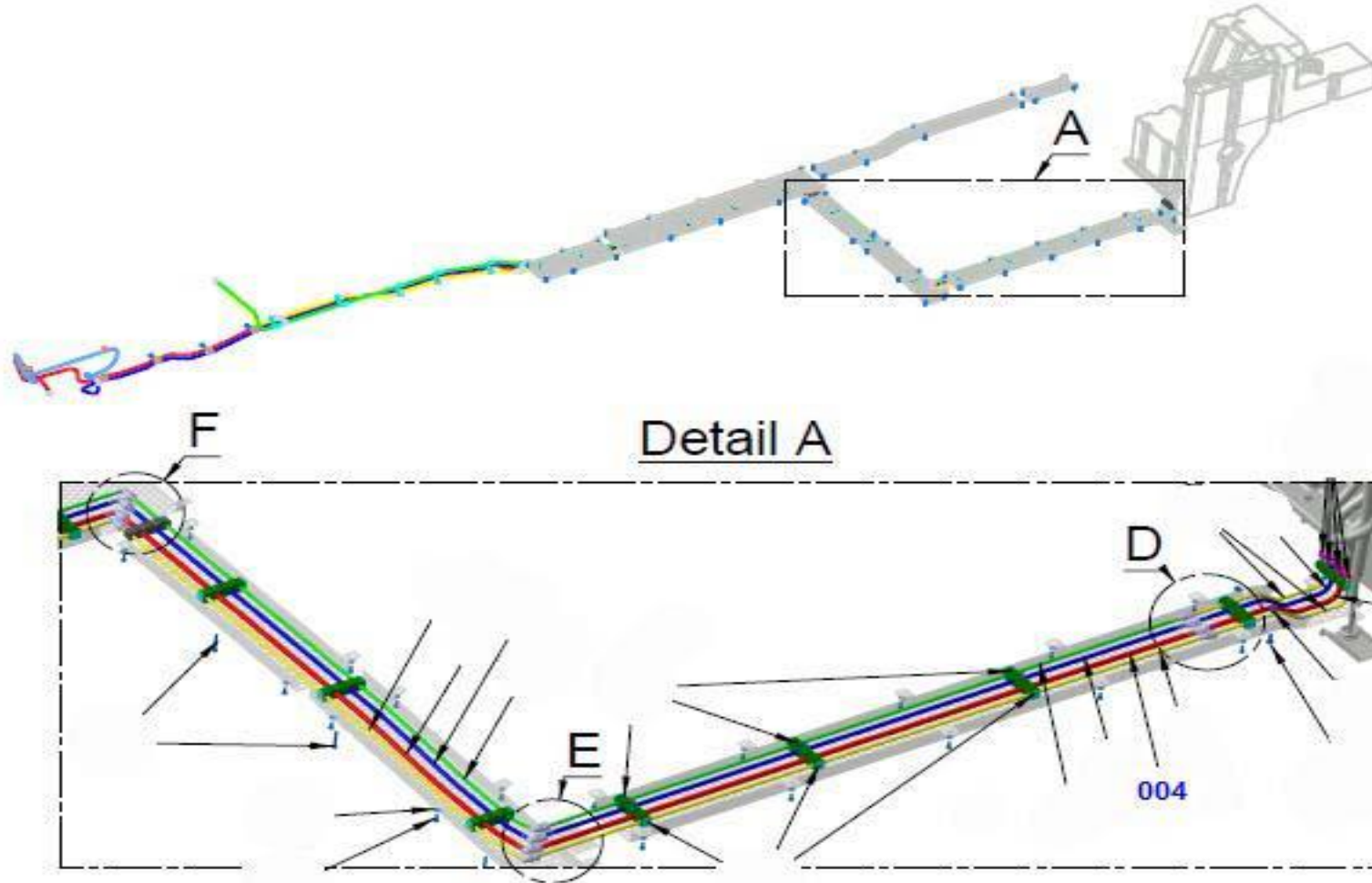
Picture No: EPL341410100-00

POZ	Part No	N.S.N	Code	Part Name (Türkçe)	Part Name (English)	Quantity
				<i>Fuel Piping (Chassis)</i>		
001	387038721201			HORTUM, YAKIT EMIS, KOMPLE	PIPE, AIR INTAKE	1
008	387038723101			HORTUM, YAKIT EMIS, KOMPLE	PIPE, AIR INTAKE	1
032	387038729201			HORTUM, YAKIT DONUS, KOMPLE	PIPE, AIR INTAKE	1
035	387038730101			HORTUM, YAKIT DONUS, KOMPLE	PIPE, AIR INTAKE	1
039	387038731101			HORTUM, YAKIT DONUS, KOMPLE	PIPE, AIR INTAKE	1
108	387035443001			TUTUCU, YAKIT HATTI	RETAINER, FUEL LINE	21
109	387028487001			BRAKET, YAKIT TANKI	BRACKET, FUEL TANK	19
110	300030645401			CIVATA, AKB M6X1X45, KALIN D. DIN931	BOLT, HEX M6X1X45, COARSE T. DIN931	19
115	388883158001			GROMET	GROMMET	4
130	300010614401			CIVATA, AKB M6X1X14, KALIN D. DIN933	BOLT, HEX M6X1X14, COARSE T. DIN933	48
131	301000006401			RONDELA, Ø6MM	PIPE, AIR INTAKE	48
132	300010812401			CIVATA, AKB M8X1. 25X12, KALIN D. DIN933	BOLT, HEX M8X1. 25X12, COARSE T. DIN933	2
133	300500008401			SOMUN, AKB M8X1. 25, KALIN D. DIN934	NUT, HEX M8X1. 25, COARSE T. DIN934	2
<b>Fuel Piping (Chassis)</b>				<b>Engine</b>		<b>0106</b>

**0106**

**Engine**

**Fuel Piping (Chassis)**



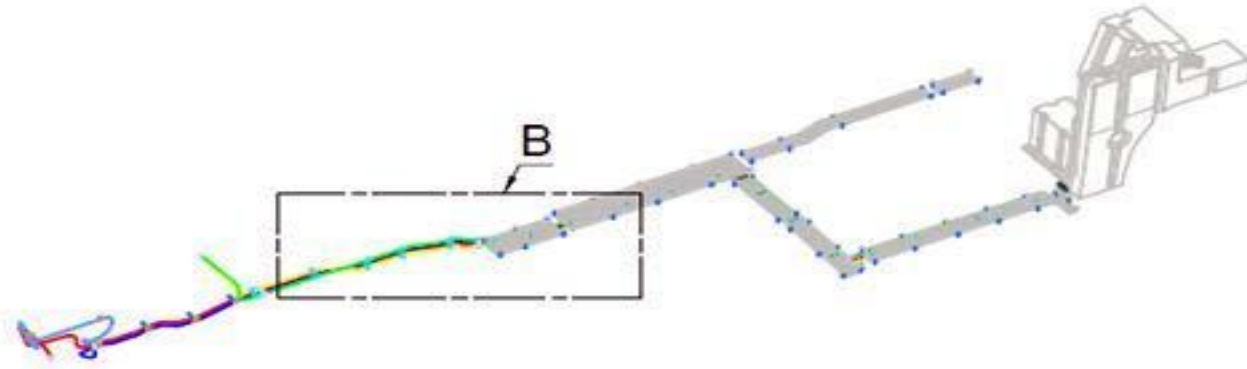
Picture No: EPL341410100-01

POZ	Part No	N.S.N	Code	Part Name (Türkçe)	Part Name (English)	Quantity
				<i>Fuel Piping (Chassis)</i>		
003	387037361001			SPIGOT, YAKIT KONNEKTORU	MALE TUBE END, FUEL	1
004	387038722101			HORTUM, YAKIT EMIS, KOMPLE	PIPE, AIR INTAKE	1
005	387037360001			KONNEKTOR, YAKIT	CONNECTOR, FUEL	1
007	387037361001			SPIGOT, YAKIT KONNEKTORU	MALE TUBE END, FUEL	1
010	387037367001			KONNEKTOR, YAKIT	CONNECTOR, FUEL	1
010	387040470001			KONNEKTOR, YAKIT	CONNECTOR, FUEL	1
011	387037361001			SPIGOT, YAKIT KONNEKTORU	MALE TUBE END, FUEL	1
013	387037367001			KONNEKTOR, YAKIT	CONNECTOR, FUEL	1
034	387037365001			SPIGOT, YAKIT KONNEKTORU	MALE TUBE END, FUEL	1
036	387037364001			KONNEKTOR, YAKIT	CONNECTOR, FUEL	1
038	387037365001			SPIGOT, YAKIT KONNEKTORU	MALE TUBE END, FUEL	1
041	387037368001			KONNEKTOR, YAKIT	CONNECTOR, FUEL	1
042	387037365001			SPIGOT, YAKIT KONNEKTORU	MALE TUBE END, FUEL	1
044	387037368001			KONNEKTOR, YAKIT	CONNECTOR, FUEL	1
<b>Fuel Piping (Chassis)</b>				<b>Engine</b>		<b>0106</b>

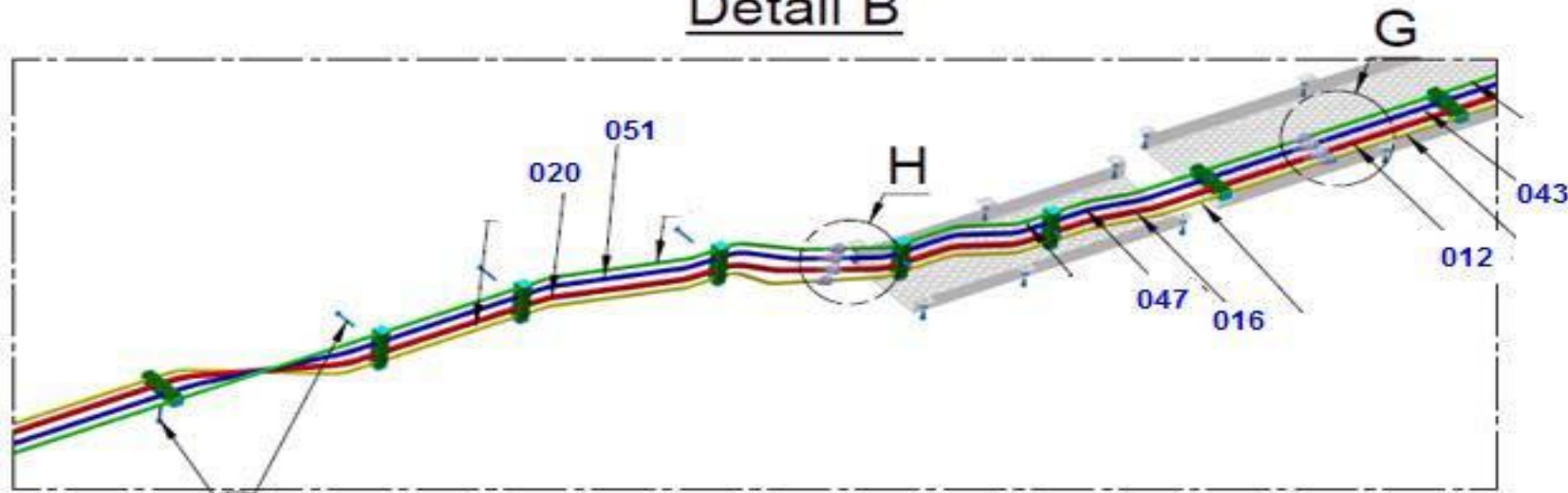
**0106**

**Engine**

**Fuel Piping (Chassis)**



Detail B



Picture No: EPL341410200-00

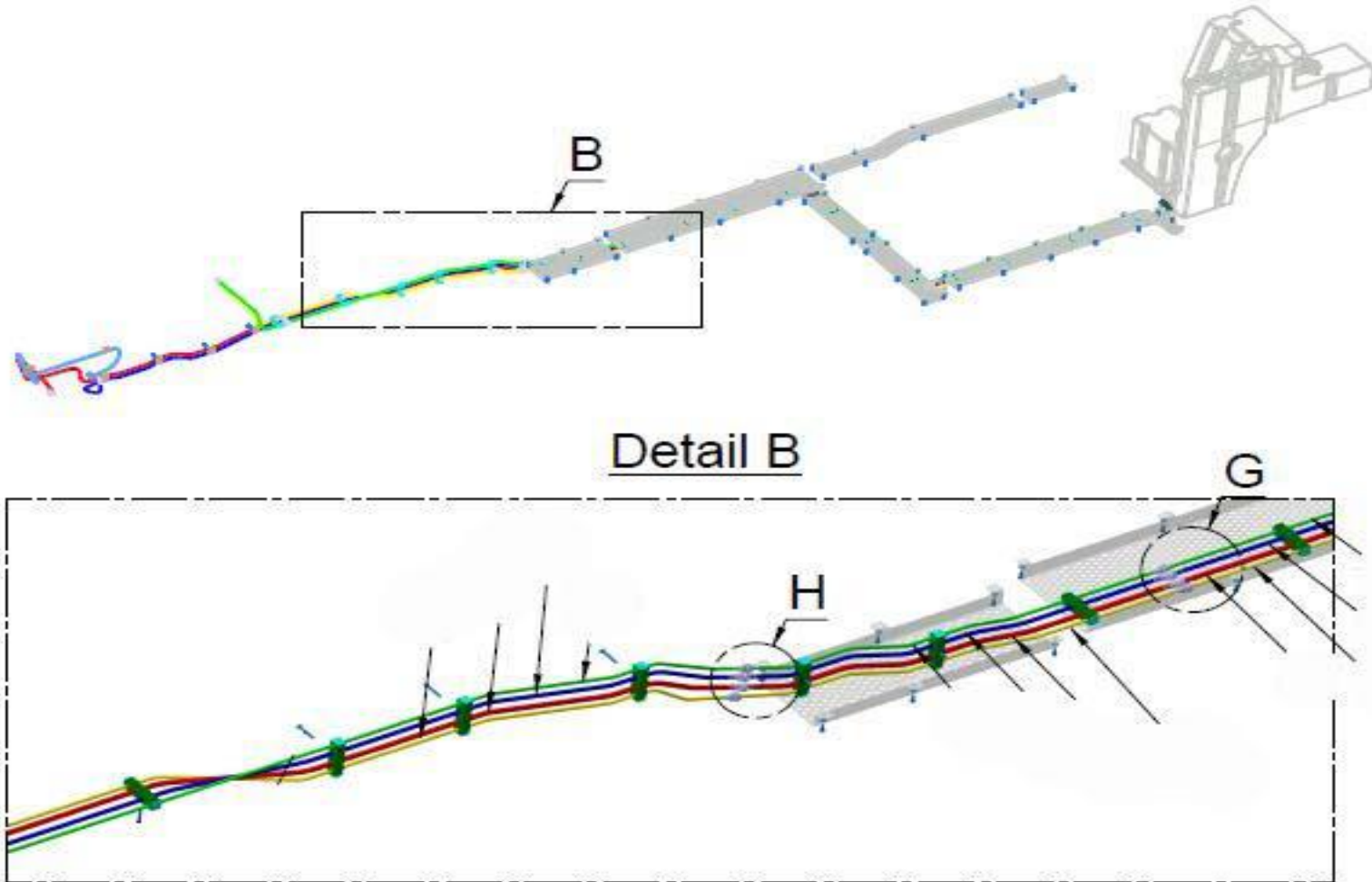


POZ	Part No	N.S.N	Code	Part Name (Türkçe)	Part Name (English)	Quantity
				<i>Fuel Piping (Chassis)</i>		
012	387038724101			HORTUM, YAKIT EMIS, KOMPLE	PIPE, AIR INTAKE	1
016	387038725101			HORTUM, YAKIT EMIS, KOMPLE	PIPE, AIR INTAKE	1
020	387038726101			HORTUM, YAKIT EMIS, KOMPLE	PIPE, AIR INTAKE	1
043	387038732101			HORTUM, YAKIT DONUS, KOMPLE	PIPE, AIR INTAKE	1
047	387038733101			HORTUM, YAKIT DONUS, KOMPLE	PIPE, AIR INTAKE	1
051	387038734101			HORTUM, YAKIT DONUS, KOMPLE	PIPE, AIR INTAKE	1
<b>Fuel Piping (Chassis)</b>				<b>Engine</b>		<b>0106</b>

**0106**

**Engine**

**Fuel Piping (Chassis)**



Picture No: EPL341410200-01



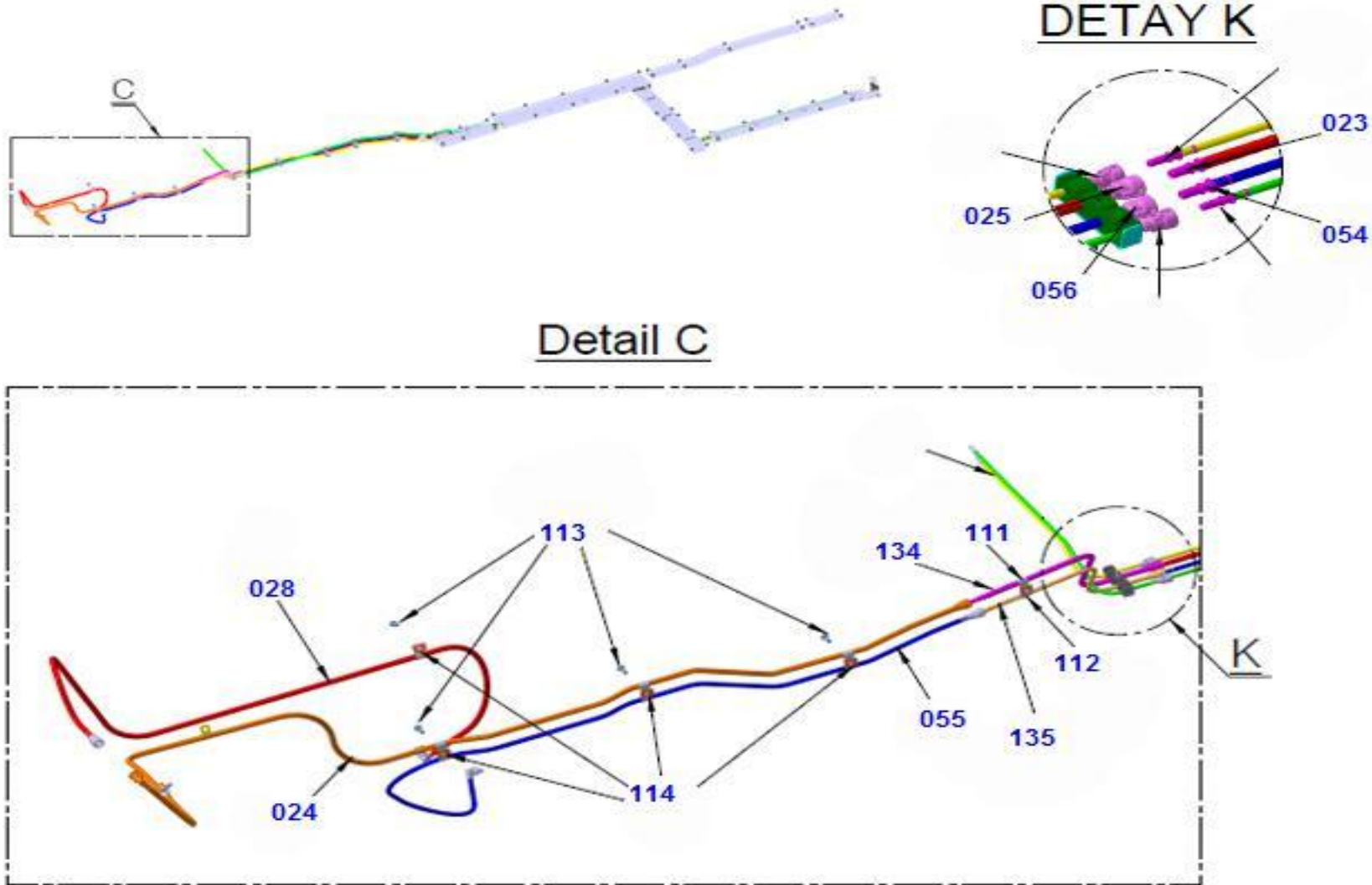
POZ	Part No	N.S.N	Code	Part Name (Türkçe)	Part Name (English)	Quantity
				<i>Fuel Piping (Chassis)</i>		
017	387037360001			KONNEKTOR, YAKIT	CONNECTOR, FUEL	1
019	387037361001			SPIGOT, YAKIT KONNEKTORU	MALE TUBE END, FUEL	1
021	387037360001			KONNEKTOR, YAKIT	CONNECTOR, FUEL	1
046	387037365001			SPIGOT, YAKIT KONNEKTORU	MALE TUBE END, FUEL	1
048	387037364001			KONNEKTOR, YAKIT	CONNECTOR, FUEL	1
050	387037365001			SPIGOT, YAKIT KONNEKTORU	MALE TUBE END, FUEL	1
052	387037364001			KONNEKTOR, YAKIT	CONNECTOR, FUEL	1
				<b>Fuel Piping (Chassis)</b>	<b>Engine</b>	<b>0106</b>



0106

Engine

Fuel Piping (Chassis)



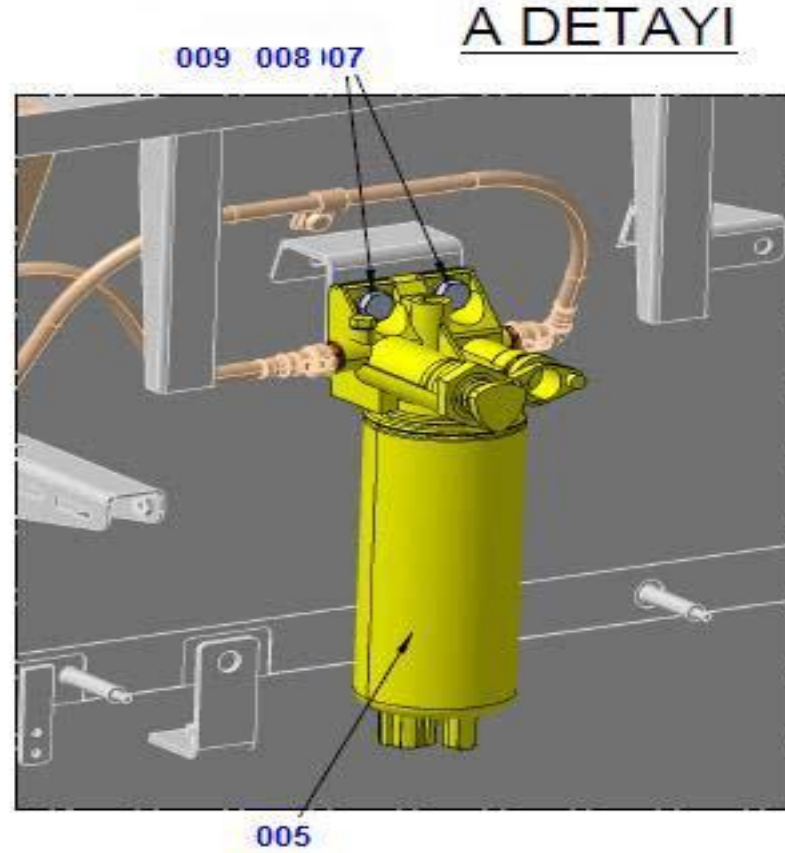
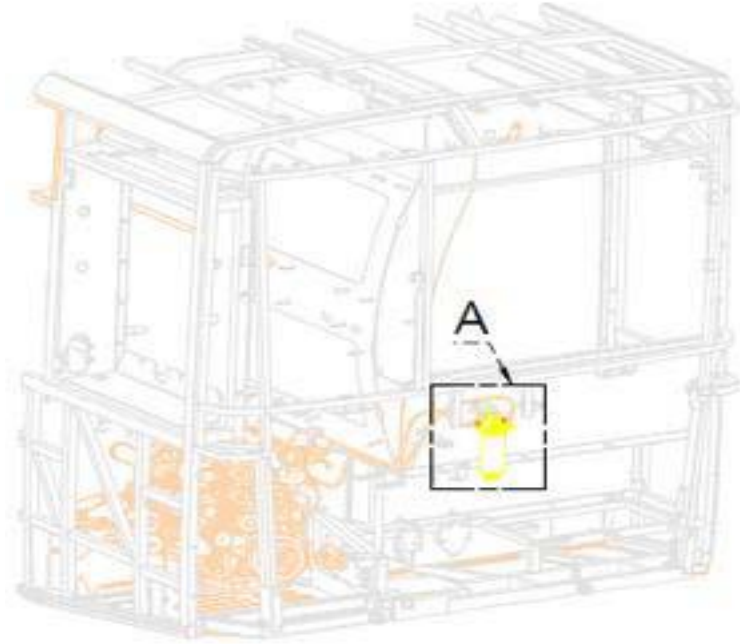
Picture No: EPL341410300-00

POZ	Part No	N.S.N	Code	Part Name (Türkçe)	Part Name (English)	Quantity
				<i>Fuel Piping (Chassis)</i>		
023	387037361001			SPIGOT, YAKIT KONNEKTORU	MALE TUBE END, FUEL	1
024	387038727201			HORTUM, YAKIT EMIS, KOMPLE	PIPE, AIR INTAKE	1
025	387037360001			KONNEKTOR, YAKIT	CONNECTOR, FUEL	1
028	387038728201			HORTUM, YAKIT EMIS, KOMPLE	PIPE, AIR INTAKE	1
054	387037365001			SPIGOT, YAKIT KONNEKTORU	MALE TUBE END, FUEL	1
055	387044984001			HORTUM, YAKIT DONUS KOMP	HOSE, FUEL RETURN ASSEMBLY	1
056	387037364001			KONNEKTOR, YAKIT	CONNECTOR, FUEL	1
111	387035981001			KLIPS, D12	CLIP, D12	6
112	387035980001			KLIPS, D10	CLIP, D10	4
113	300010820401			CIVATA, AKB M8X1. 25X22, KALIN D. DIN933	BOLT, HEX M8X1. 25X20, COARSE T. DIN933	6
114	387038681001			KLIPS, VIDALI M8	CLIP	6
134	387043575001			HORTUM, YAKIT EMIS KOMP.	HOSE, FUEL INTAKE	1
135	387043576001			HORTUM, YAKIT DONUS KOMP.	HOSE, FUEL RETURN	1
<b>Fuel Piping (Chassis)</b>				<b>Engine</b>		<b>0106</b>

**0107**

**Engine**

**Water Sedimenter, Fuel**



Picture No: EPL341450100-00

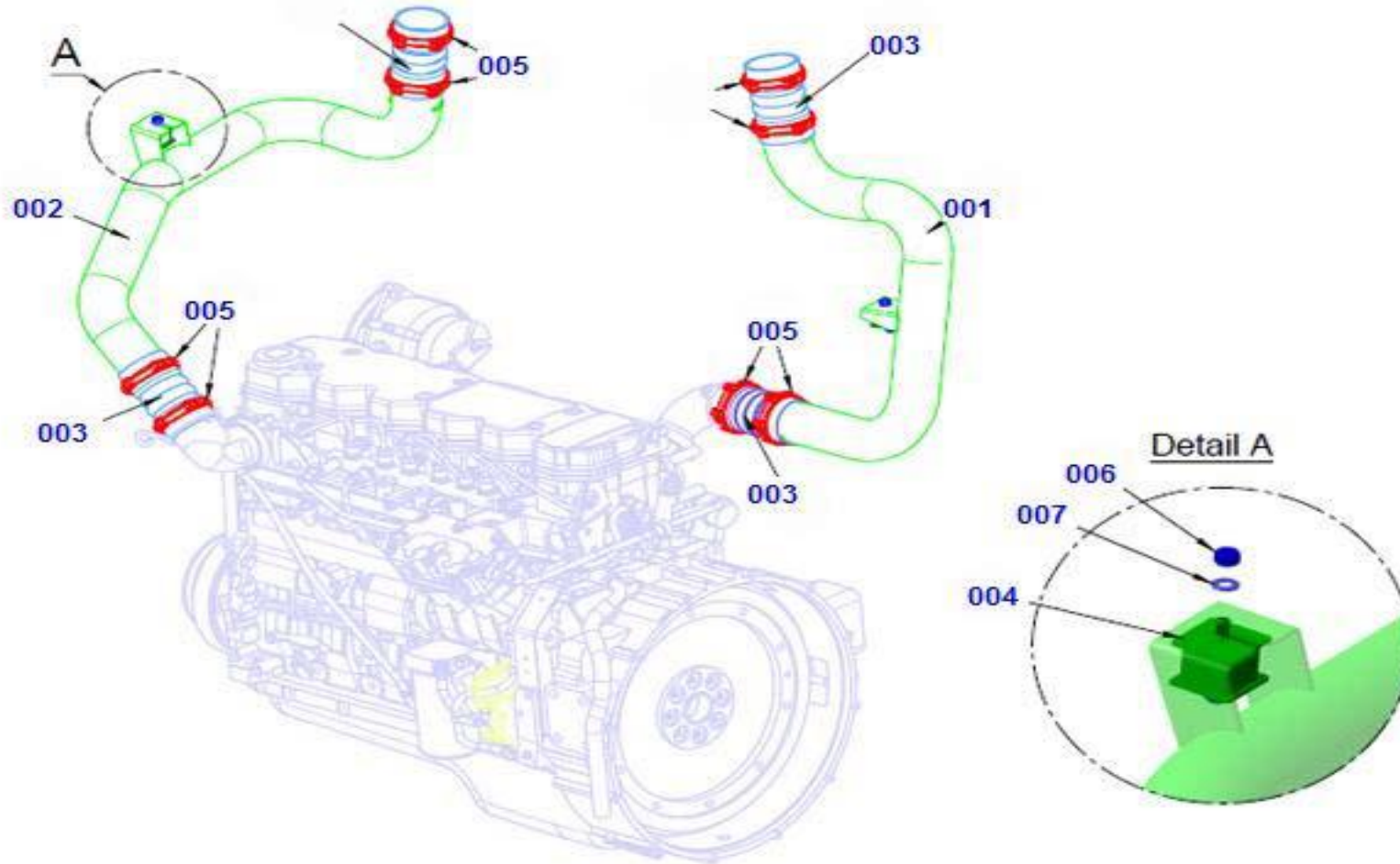


POZ	Part No	N.S.N	Code	Part Name (Türkçe)	Part Name (English)	Quantity
				<i>Water Sedimenter,Fuel</i>		
005	387037821001			SPIGOT, SEDIMENTER	SPIGOT, SEDIMENTER	2
007	300011250401			CIVATA, AKB M12X1. 75X50, KALIN D. DIN933	BOLT, HEX M12X1. 75X50, COARSE T. DIN933	2
008	301010012401			RONDELA, YAYLI D=12 DIN 127	WASHER Ø12	2
009	300500012401			SOMUN, AKB M12X1. 75, KALIN D. DIN934	NUT, HEX M12X1. 75, COARSE T. DIN934	2
				<b>Water Sedimenter,Fuel</b>	<b>Engine</b>	<b>0107</b>

0108

Engine

Turbocharger Sys.



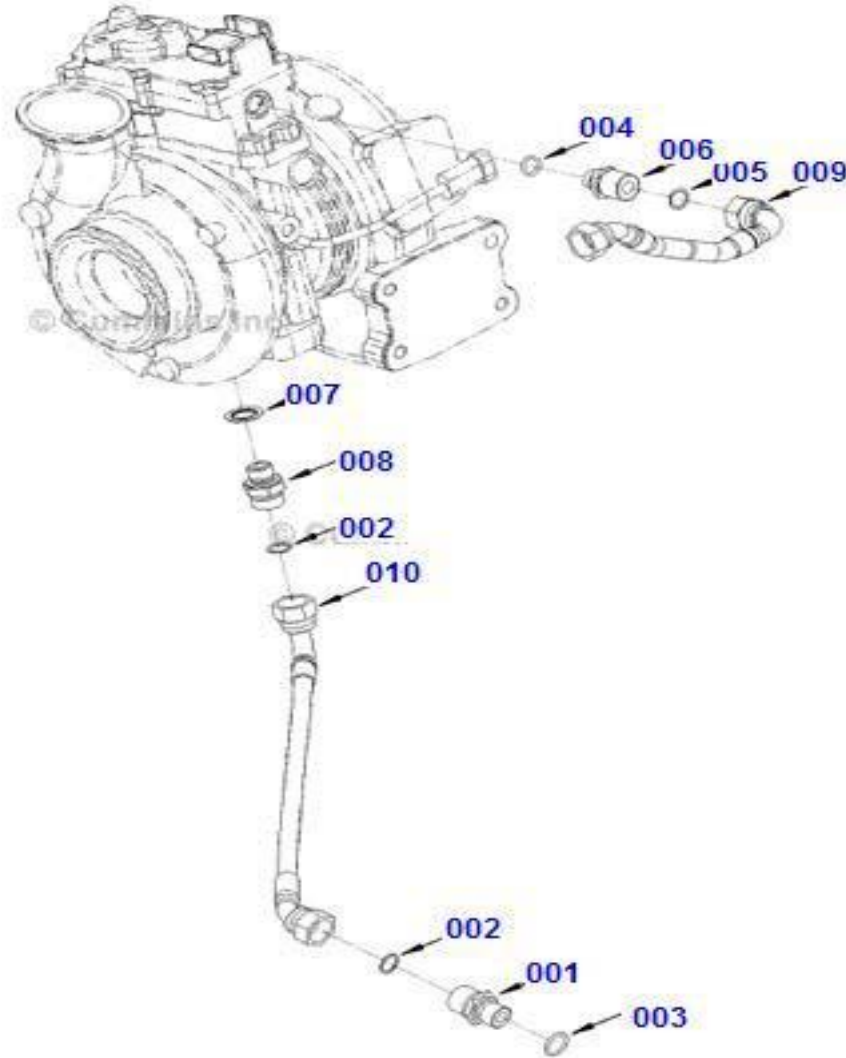
Picture No: EPL340360100-00

POZ	Part No	N.S.N	Code	Part Name (Türkçe)	Part Name (English)	Quantity
				<i>Turbocharger Sys.</i>		
001	387040846001			BORU, KOMPLE INERCOOLER GIRIS	PIPE, ASM. INTERCOOLER ENTRY	1
002	387040722001			BORU, KOMPLE INTERCOOLER ÇIKIS	PIPE, ASM. INTERCOOLER EXIT	1
003	387033564251			HORTUM, INTERCOOLER YAYLI	HOSE, INTERCOOLER, WITH RESTRAINING RING	4
004	894158155101			TAKOZ, HAVA BACASI ALT	BLOCK, AIR CHIMNEY BOTTOM	2
005	387038875001			KELEPCE	CLAMP	8
006	300500008601			SOMUN, AKB M8X1. 25, KALIN D. DIN934	NUT, HEX M8X1. 25, COARSE T. DIN934	4
007	301000008601			RONDELA, DUZ D=8 DIN 125	WASHER, PLAIN D= 8 DIN 125	4
				<b>Turbocharger Sys.</b>	<b>Engine</b>	<b>0108</b>

**0108**

**Engine**

**Turbocharger Sys.**



Picture No: TP967GL-00

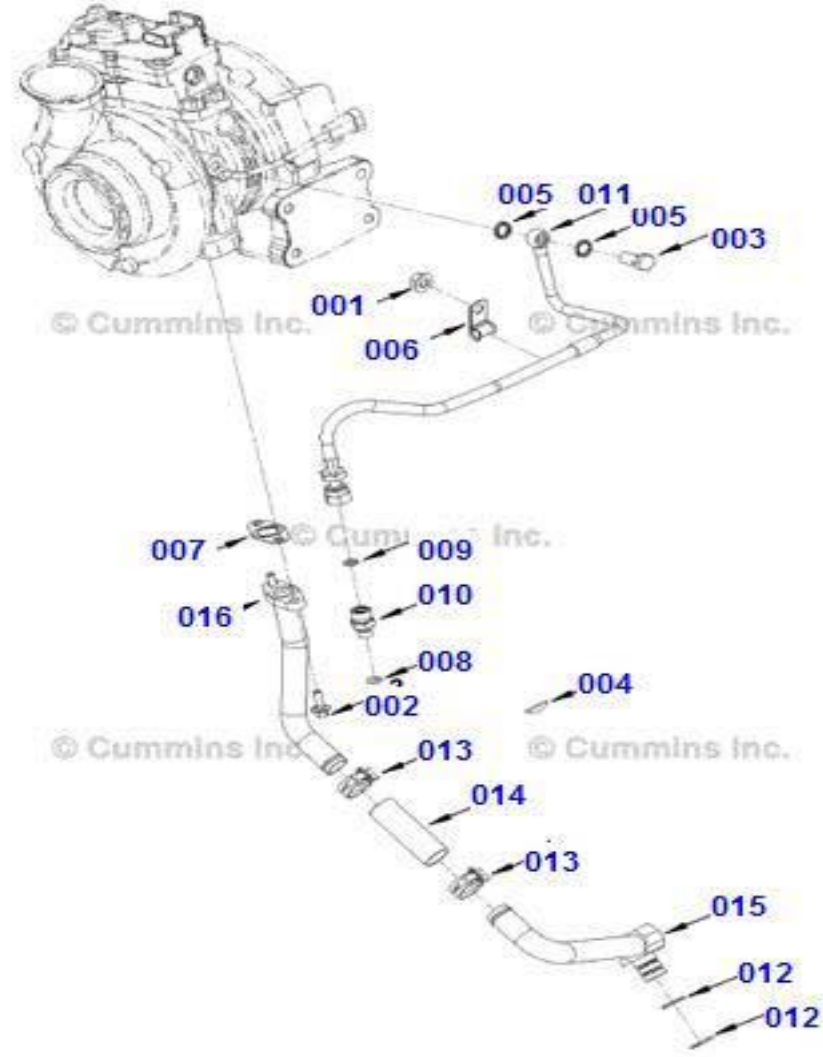
POZ	Part No	N.S.N	Code	Part Name (Türkçe)	Part Name (English)	Quantity
				<i>Turbocharger Sys.</i>		
000	CM3331873			UNION, MALE	UNION, MALE	
000	CM3866196			CONNECTOR, MALE	CONNECTOR, MALE	
000	CM4980591			UNION, MALE	UNION, MALE	
001	CM3331838			UNION, MALE	UNION, MALE	
002	CM3627695			SEAL, O RING	SEAL, O RING	
003	CM3678786			SEAL, O RING	SEAL, O RING	
004	CM3330202			SEAL, O RING	SEAL, O RING	
005	CM3348703			SEAL, O RING	SEAL, O RING	
006	CM3393991			CONNECTOR, MALE	CONNECTOR, MALE	
007	CM4944257			WASHER, SEALING	WASHER, SEALING	
008	CM4980590			UNION, MALE	UNION, MALE	
009	CM5289603			HOSE, FLEXIBLE	HOSE, FLEXIBLE	
010	CM5298328			HOSE, FLEXIBLE	HOSE, FLEXIBLE	
				<b>Turbocharger Sys.</b>	<b>Engine</b>	<b>0108</b>



**0108**

**Engine**

**Turbocharger Sys.**



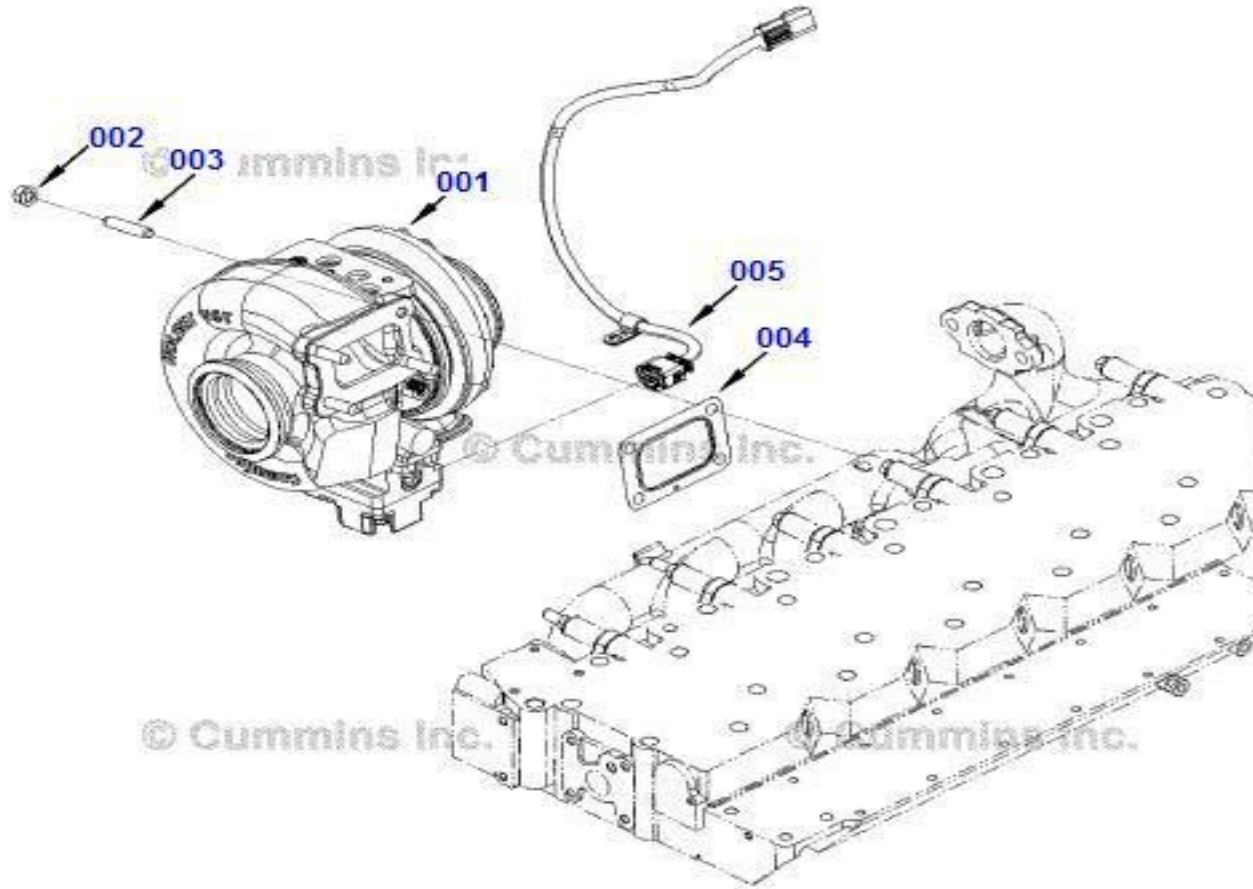
Picture No: TP967GM-00

POZ	Part No	N.S.N	Code	Part Name (Türkçe)	Part Name (English)	Quantity
				<i>Turbocharger Sys.</i>		
000	CM4940183			UNION, MALE	UNION, MALE	
000	CM5294345			CONNECTION, TUR OIL DRAIN	CONNECTION, TUR OIL DRAIN	
001	CM3093828			NUT, HEXAGON FLANGE	NUT, HEXAGON FLANGE	
002	CM3900630			SCREW, HEX FLANGE HEAD CAP	SCREW, HEX FLANGE HEAD CAP	
003	CM3903035			SCREW, BANJO CONNECTOR	SCREW, BANJO CONNECTOR	
004	CM3920706			PLUG, EXPANSION	PLUG, EXPANSION	
005	CM3963983			WASHER, SEALING	WASHER, SEALING	
006	CM3965818			CLAMP, TUBE	CLAMP, TUBE	
007	CM4891288			GASKET, OIL DRAIN	GASKET, OIL DRAIN	
008	CM3678603			SEAL, O RING	SEAL, O RING	
009	CM3922794			SEAL, O RING	SEAL, O RING	
010	CM4940182			UNION, MALE	UNION, MALE	
011	CM5288793			HOSE, FLEXIBLE	HOSE, FLEXIBLE	
012	CM3928624			SEAL, O RING	SEAL, O RING	
013	CM3937613			CLAMP, HOSE	CLAMP, HOSE	
014	CM5263842			HOSE, PLAIN	HOSE, PLAIN	
015	CM5294339			CONNECTION, TUR OIL DRAIN	CONNECTION, TUR OIL DRAIN	
016	CM5294346			CONNECTION, TUR OIL DRAIN	CONNECTION, TUR OIL DRAIN	
<b>Turbocharger Sys.</b>				<b>Engine</b>		<b>0108</b>

**0109**

**Engine**

**Turbocharger**



Picture No: PP9001GD-00

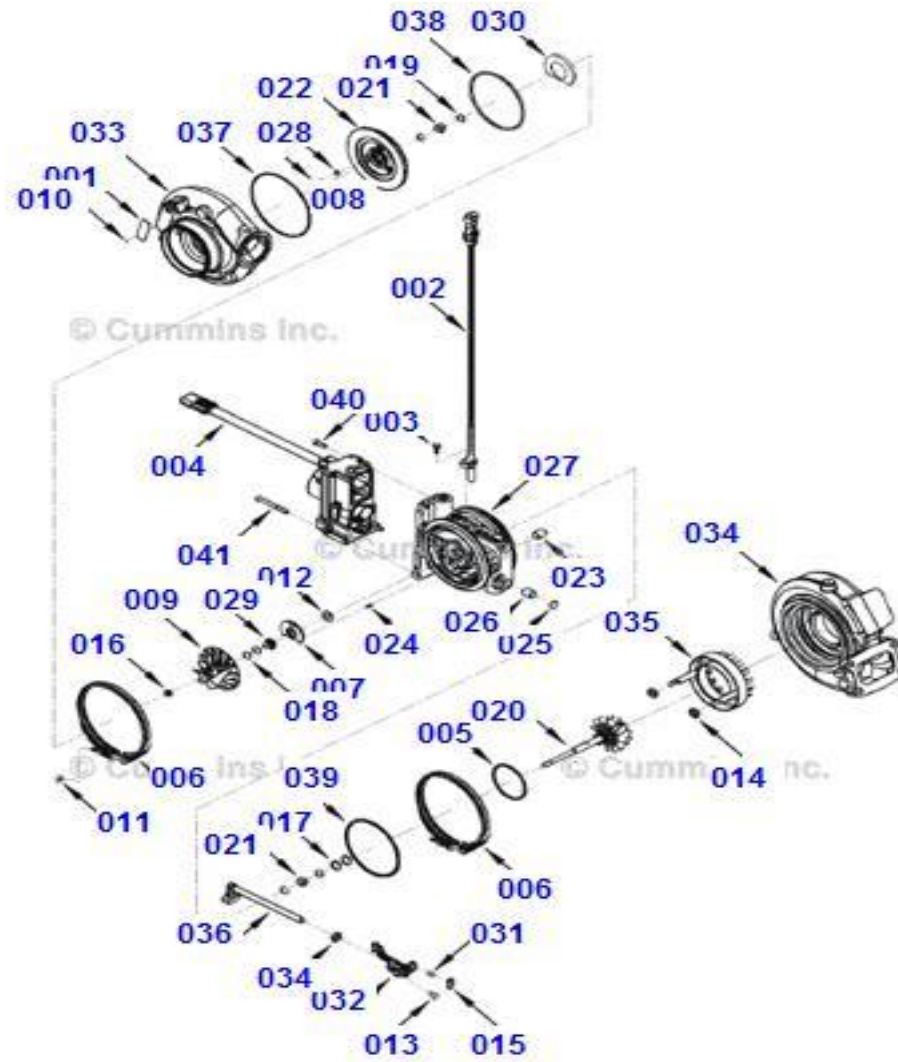


POZ	Part No	N.S.N	Code	Part Name (Türkçe)	Part Name (English)	Quantity
				<i>Turbocharger</i>		
000	CM3786024			TURBOCHARGER	TURBOCHARGER	
001	CM3786022			TURBOCHARGER	TURBOCHARGER	
002	CM3818824			NUT, HEXAGON FLANGE	NUT, HEXAGON FLANGE	
003	CM4931642			STUD, DOUBLE END PLAIN	STUD, DOUBLE END PLAIN	
004	CM5266419			GASKET, TURBOCHARGER	GASKET, TURBOCHARGER	
005	CM5297244			HARNESS, WIRING	HARNESS, WIRING	
				<b>Turbocharger</b>	<b>Engine</b>	<b>0109</b>

**0109**

**Engine**

**Turbocharger**



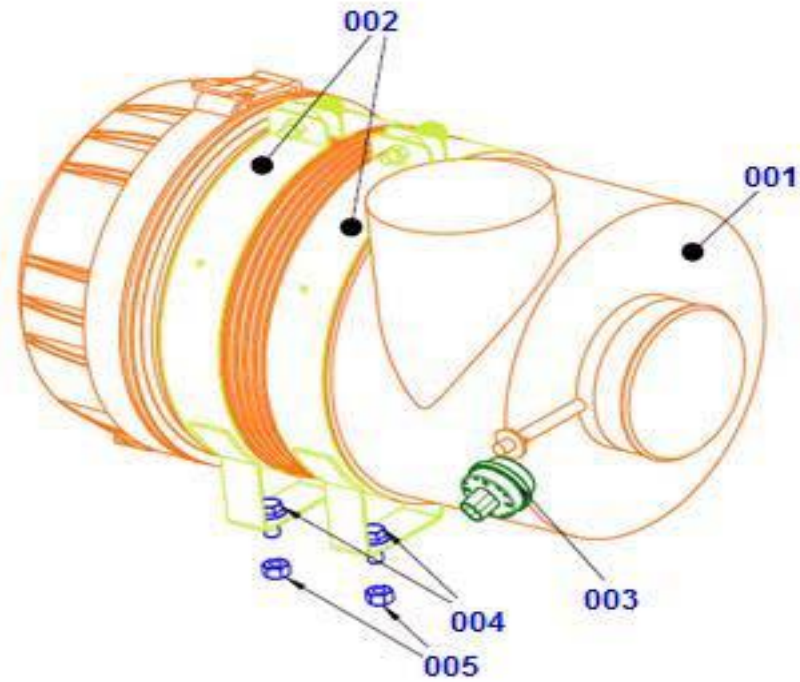
Picture No: PP965GN-00

POZ	Part No	N.S.N	Code	Part Name (Türkçe)	Part Name (English)	Quantity
				<i>Turbocharger</i>		
000	CM3780690			TURBOCHARGER	TURBOCHARGER	
000	CM3780686			TURBOCHARGER	TURBOCHARGER	
000	CM3777450			ACTUATOR, TUR ELECTRIC	ACTUATOR, TUR ELECTRIC	
000	CM3772970			HOUSING, TUR BEARING	HOUSING, TUR BEARING	
000	CM3772628			YOKE, TUR ACTUATOR	YOKE, TUR ACTUATOR	
000	CM4032806			KIT, TUR SENSOR	KIT, TUR SENSOR	
001	CM3527619			DATAPLATE	DATAPLATE	
002	CM2839964			SENSOR, TURBOCHARGER SPEED	SENSOR, TURBOCHARGER SPEED	
003	CM3527184			SCREW, HEX FLANGE HEAD CAP	SCREW, HEX FLANGE HEAD CAP	
004	CM3777444			ACTUATOR, TUR ELECTRIC	ACTUATOR, TUR ELECTRIC	
005	CM2835493			SEAL, SPLIT RING	SEAL, SPLIT RING	
006	CM2835596			CLAMP, V BAND	CLAMP, V BAND	
007	CM2841493			BEARING, TUR THRUST	BEARING, TUR THRUST	
008	CM2843113			SCREW, SOCKET HEAD CAP	SCREW, SOCKET HEAD CAP	
009	CM4035788			IMPELLER, TUR COMPRESSOR	IMPELLER, TUR COMPRESSOR	
010	CM3519163			SCREW, DRIVE	SCREW, DRIVE	
011	CM3529372			NUT, REGULAR HEXAGON	NUT, REGULAR HEXAGON	
012	CM3532217			COLLAR, THRUST	COLLAR, THRUST	
013	CM3536549			SCREW, SOCKET HEAD CAP	SCREW, SOCKET HEAD CAP	
014	CM3595280			SEAL, OIL	SEAL, OIL	
015	CM3596179			BLOCK, PIVOT	BLOCK, PIVOT	
016	CM3596402			NUT, LOCK	NUT, LOCK	
017	CM3756754			SEAL, SPLIT RING	SEAL, SPLIT RING	
018	CM3758848			SEAL, SPLIT RING	SEAL, SPLIT RING	
019	CM3762259			RING, RETAINING	RING, RETAINING	
020	CM2843721			SHAFT	SHAFT	
021	CM3770578			BEARING, TURBOCHARGER	BEARING, TURBOCHARGER	
022	CM3772261			DIFFUSER, TURBOCHARGER	DIFFUSER, TURBOCHARGER	

Turbocharger

Engine

0109

**0110****Engine****Air Cleaner**

Picture No: EPLB3513001-00

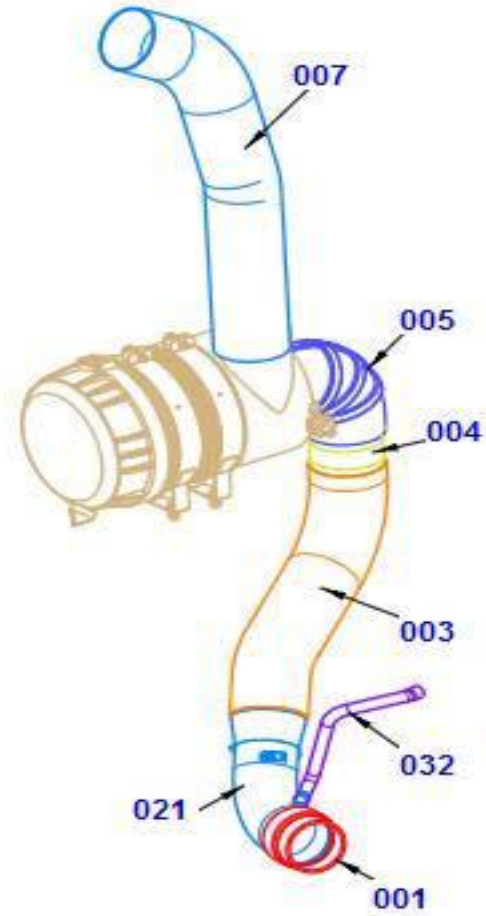
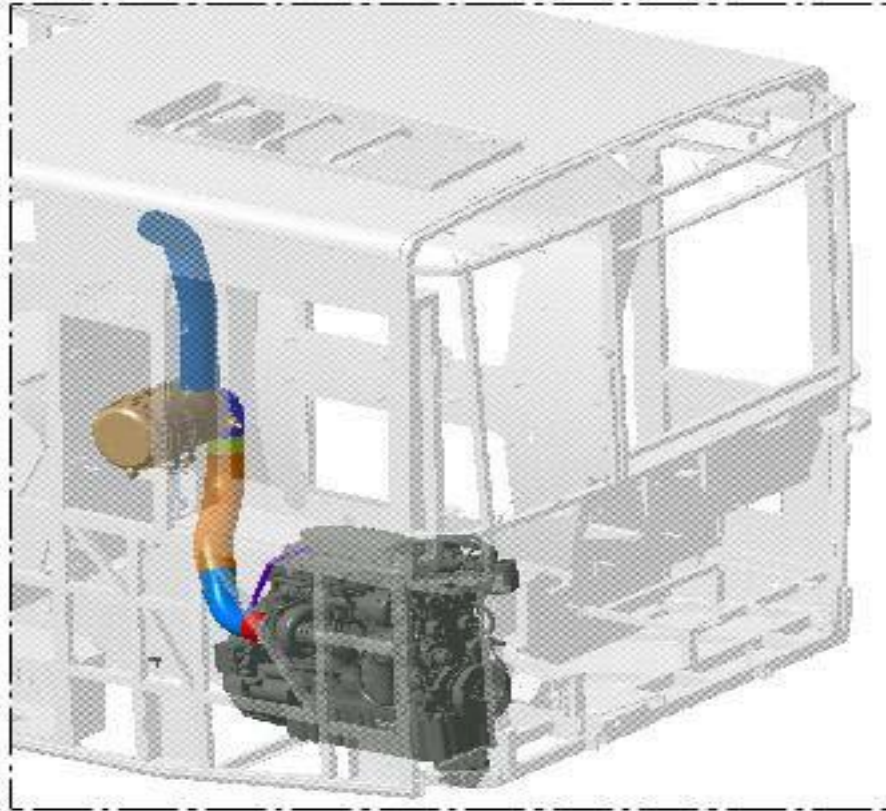
POZ	Part No	N.S.N	Code	Part Name (Türkçe)	Part Name (English)	Quantity
				<i>Air Cleaner</i>		
001	387033599051			FILTRE, HAVA EMIS	FILTER, AIR INTAKE	1
002	387033600051			KELEPCE, FILTRE, HAVA EMIS	CLAMP, AIR FILTER	2
003	387033601051			INDIKATOR, SINIRLAYICI, HAVA EMIS	INDICATOR	1
004	300121020601			CIVATA, FLN M10X1. 5X20, KALIN D. DIN6921	BOLT, FLN M10X1. 5X20, COARSE T. DIN6921	4
005	300500010601			SOMUN, AKB M10X1. 5, KALIN D. DIN934	NUT, HEX M10X1. 5, COARSE T. DIN934	4
				<b>Air Cleaner</b>	<b>Engine</b>	<b>0110</b>



**0111**

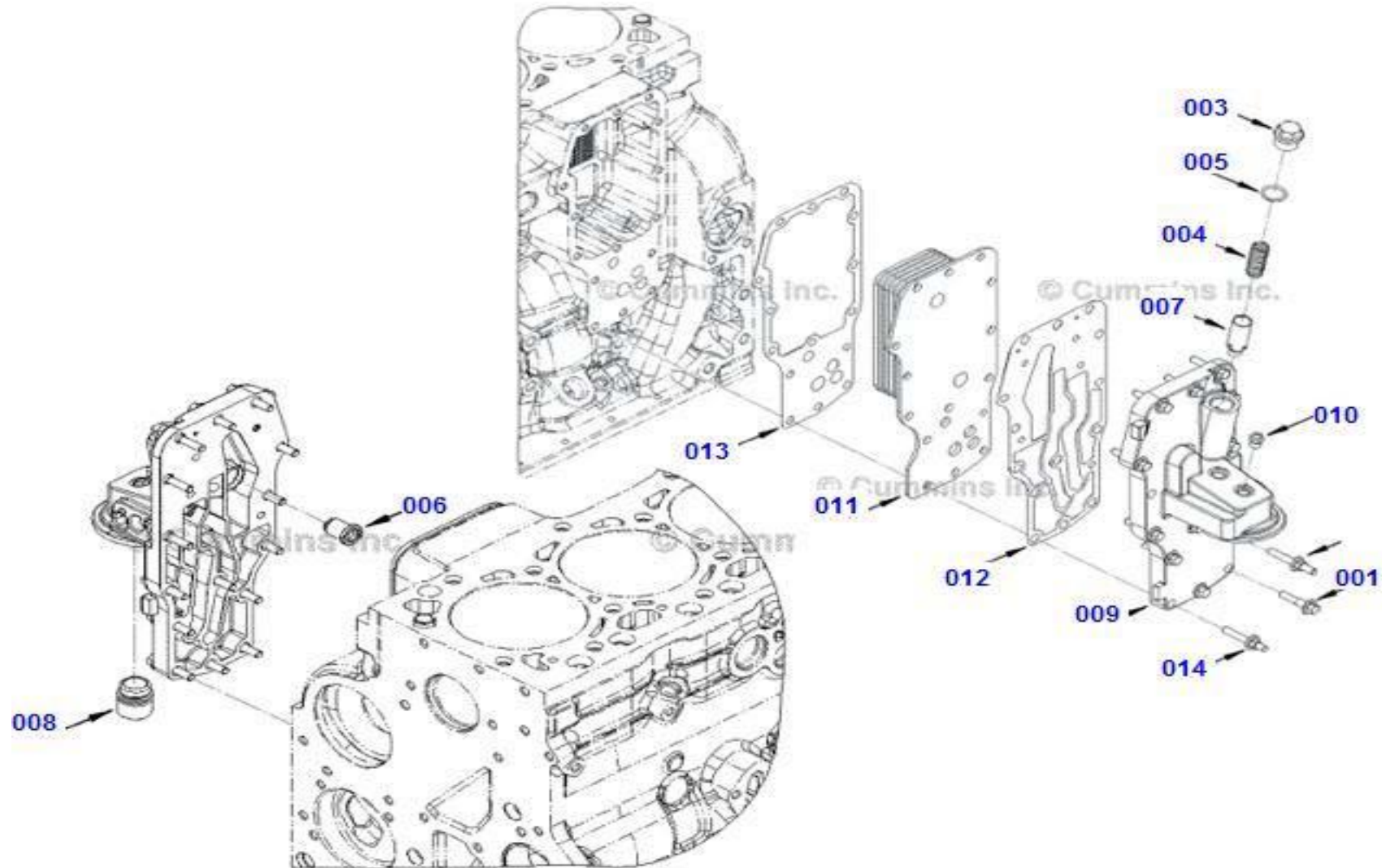
**Engine**

**Air Duct**



Picture No: EPLB3513101-00

POZ	Part No	N.S.N	Code	Part Name (Türkçe)	Part Name (English)	Quantity
				<i>Air Duct</i>		
001	387034718251			HORTUM, HAVA EMIS	HOSE, AIR INTAKE	1
003	387033744101			HORTUM, HAVA EMIS	HOSE, AIR INTAKE	1
004	387041820001			ADAPTOR, HAVA EMIS KOMPLE	ADAPTOR, ASSEMBLY AIR INTAKE	1
005	387040904051			DIRSEK, HAVA EMIS	ELBOW	1
007	387041113001			HORTUM, HAVA EMIS	HOSE, AIR INTAKE	1
021	387040902001			HAVA EMIS, KOMPLE	AIR UNTAKE ASM.	1
032	387041126001			HORTUM, KARTER HAVALANDIRMA	HOSE, KARTER HAVALANDIRMA	1
				<b>Air Duct</b>	<b>Engine</b>	<b>0111</b>

**0112****Engine****Oil Cooler & Oil Filter**

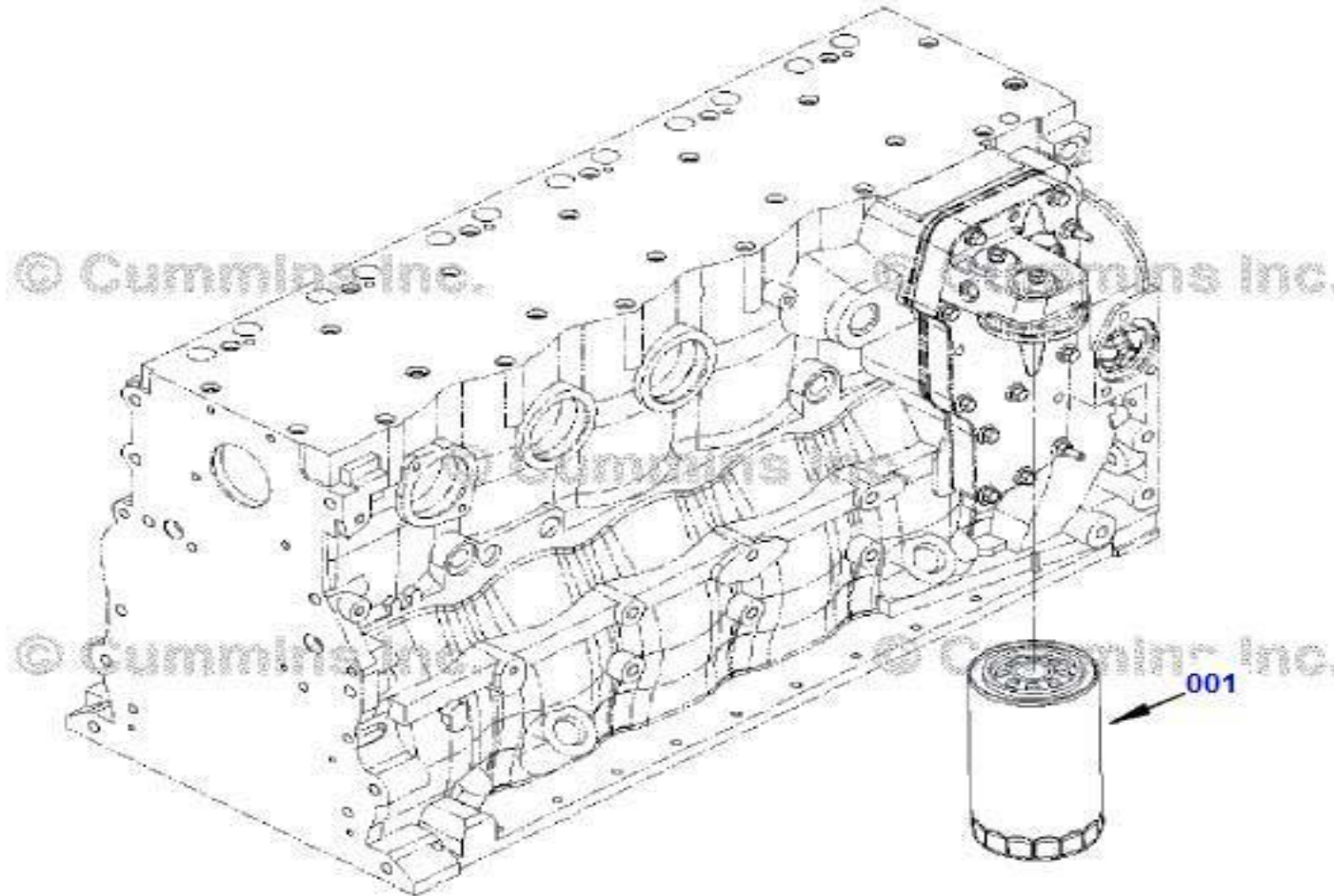
Picture No: LC951ZK-00

POZ	Part No	N.S.N	Code	Part Name (Türkçe)	Part Name (English)	Quantity
				<i>Oil Cooler &amp; Oil Filter</i>		
000	CM4983355			HEAD, LUB OIL FILTER	HEAD, LUB OIL FILTER	
000	CM4983354			HEAD, LUB OIL FILTER	HEAD, LUB OIL FILTER	
001	CM3900632			SCREW, HEX FLANGE HEAD CAP	SCREW, HEX FLANGE HEAD CAP	
003	CM3915787			PLUG, THREADED	PLUG, THREADED	
004	CM3925009			SPRING, COMPRESSION	SPRING, COMPRESSION	
005	CM3929457			SEAL, O RING	SEAL, O RING	
006	CM3936365			VALVE, PRESSURE RELIEF	VALVE, PRESSURE RELIEF	
007	CM4896404			PLUNGER, PRS REGULATOR	PLUNGER, PRS REGULATOR	
008	CM4893391			ADAPTER, FILTER HEAD	ADAPTER, FILTER HEAD	
009	CM4980333			HEAD, LUB OIL FILTER	HEAD, LUB OIL FILTER	
010	CM3906619			PLUG, PIPE	PLUG, PIPE	
011	CM3975818			CORE, COOLER	CORE, COOLER	
012	CM2831077			GASKET, FILTER HEAD	GASKET, FILTER HEAD	
013	CM2830559			GASKET, OIL COOLER CORE	GASKET, OIL COOLER CORE	
014	CM5290541			SCREW, STUDED FLANGE CAP	SCREW, STUDED FLANGE CAP	

Oil Cooler &amp; Oil Filter

Engine

0112

**0112****Engine****Oil Cooler & Oil Filter**

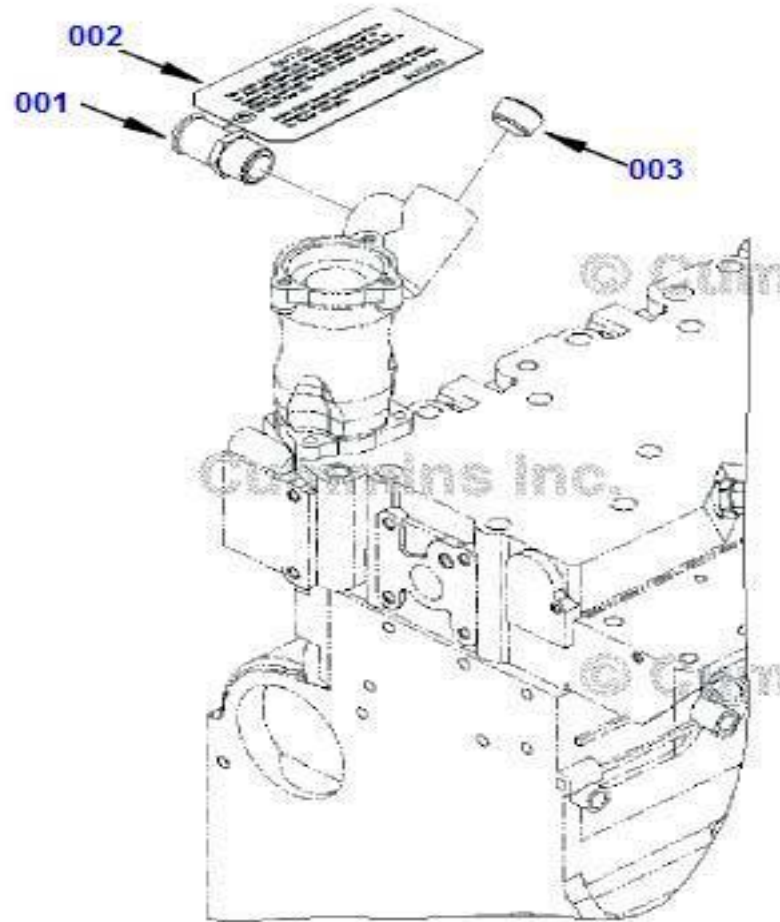
Picture No: LF950GG-00

POZ	Part No	N.S.N	Code	Part Name (Türkçe)	Part Name (English)	Quantity
001	CM4989314			<i>Oil Cooler &amp; Oil Filter</i> CARTRIDGE, LUB OIL FILTER	CARTRIDGE, LUB OIL FILTER	
Oil Cooler & Oil Filter				Engine		0112

**0112**

**Engine**

**Oil Cooler & Oil Filter**



Picture No: TK944GB-00





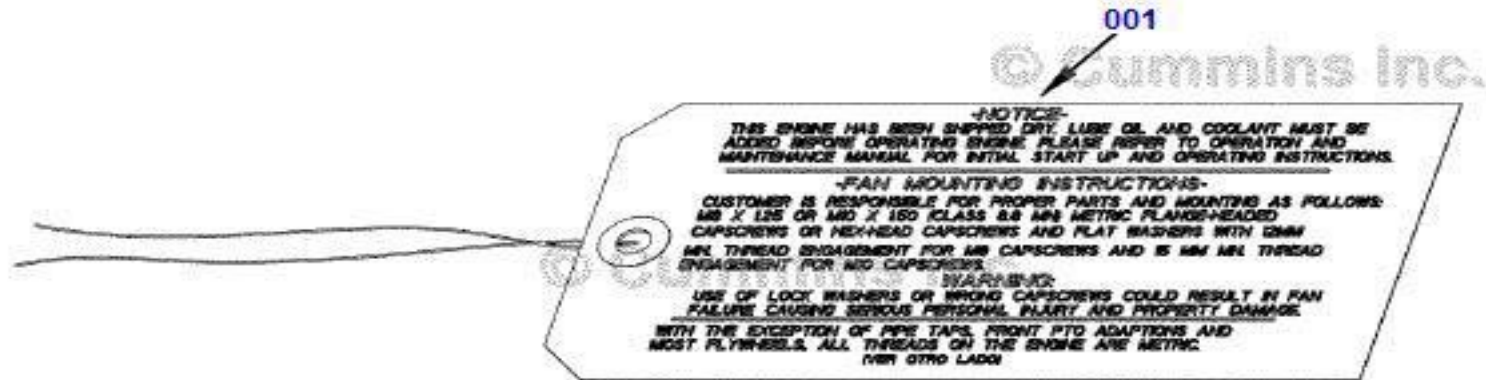
POZ	Part No	N.S.N	Code	Part Name (Türkçe)	Part Name (English)	Quantity
				<i>Oil Cooler &amp; Oil Filter</i>		
001	CM215921			COUPLING, PLAIN HOSE	COUPLING, PLAIN HOSE	
002	CM3942803			TAG, INSTRUCTION	TAG, INSTRUCTION	
003	CM4933532			PLUG, PIPE	PLUG, PIPE	
Oil Cooler & Oil Filter				Engine		0112



0113

Engine

Oil Pump



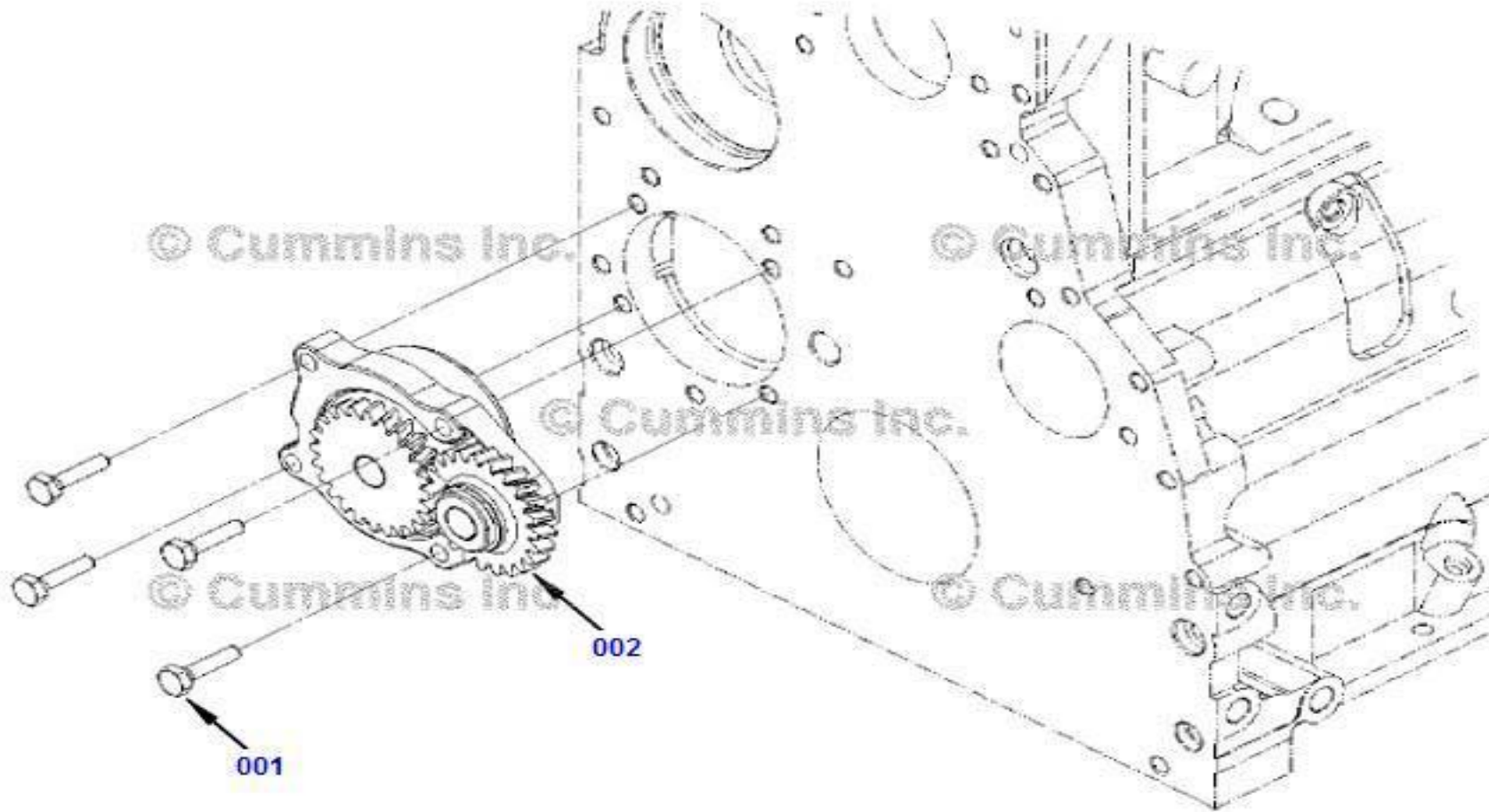
Picture No: LO951GA-00

POZ	Part No	N.S.N	Code	Part Name (Türkçe)	Part Name (English)	Quantity
001	CM3967353			<i>Oil Pump</i> TAG, INSTRUCTION	TAG, INSTRUCTION	
				<b>Oil Pump</b>	<b>Engine</b>	<b>0113</b>

**0113**

**Engine**

**Oil Pump**



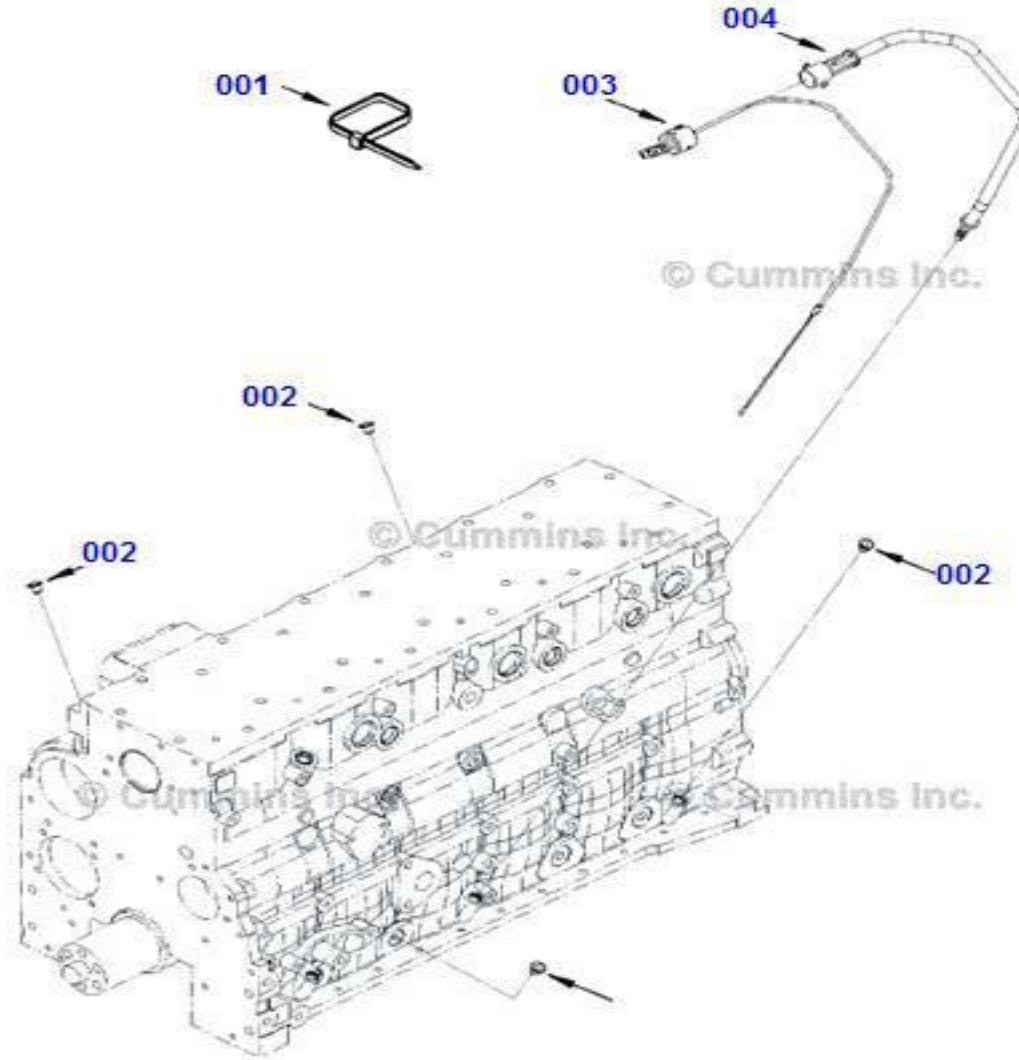
Picture No: LP950GF-00

POZ	Part No	N.S.N	Code	Part Name (Türkçe)	Part Name (English)	Quantity
				<i>Oil Pump</i>		
001	CM3900677			SCREW, HEXAGON HEAD CAP	SCREW, HEXAGON HEAD CAP	
002	CM4983496			PUMP, LUBRICATING OIL	PUMP, LUBRICATING OIL	
Oil Pump				Engine		0113

**0114**

**Engine**

**Oil Pan&Level Gauge**



Picture No: LG968GY-00

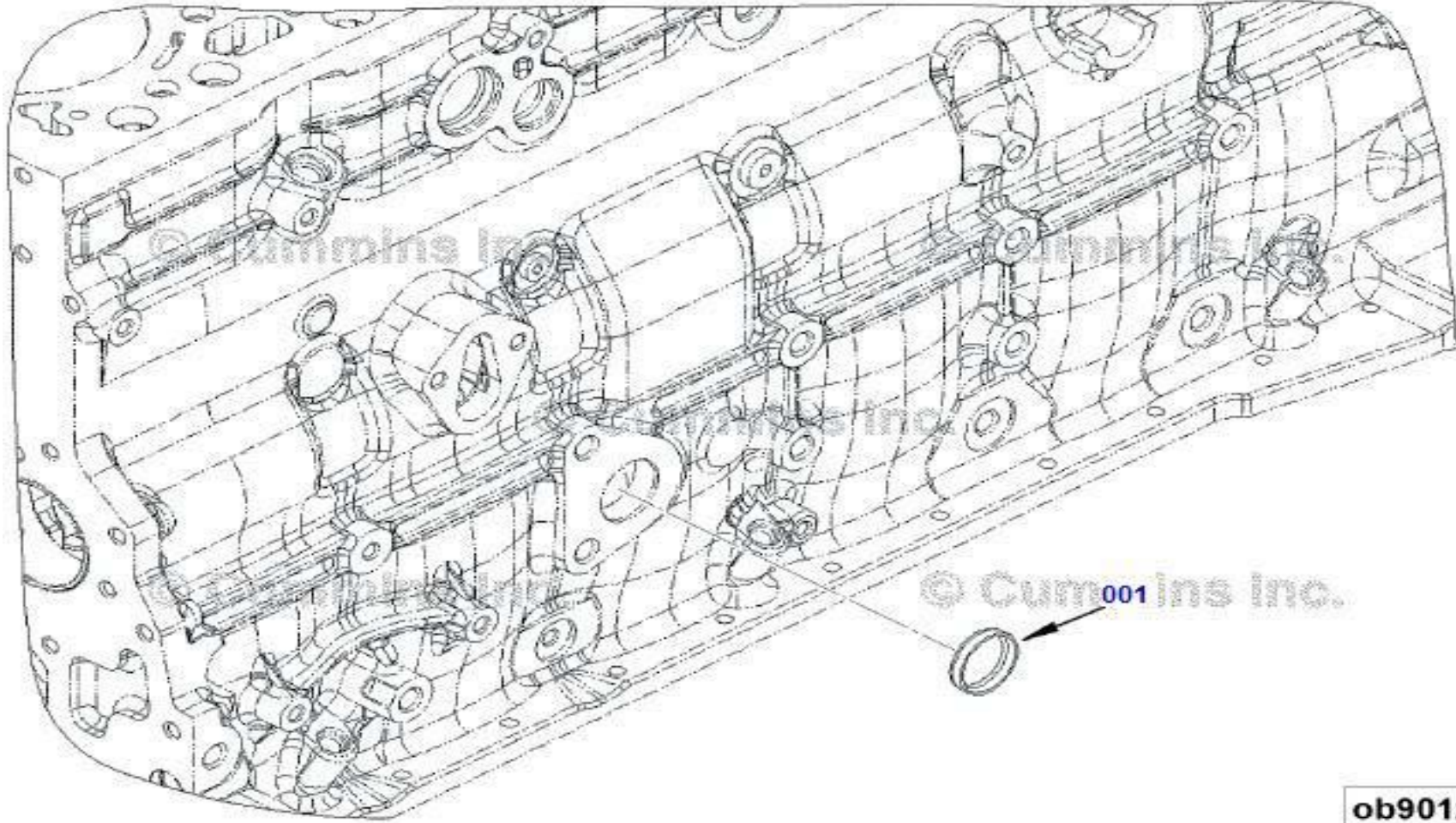


POZ	Part No	N.S.N	Code	Part Name (Türkçe)	Part Name (English)	Quantity
				<i>Oil Pan&amp;Level Gauge</i>		
000	CM5301043			DIPSTICK	DIPSTICK	
001	CM201351			CLAMP, WIRE TIE	CLAMP, WIRE TIE	
002	CM3900955			PLUG, EXPANSION	PLUG, EXPANSION	
003	CM5301044			DIPSTICK	DIPSTICK	
004	CM5301045			TUBE, OIL GAUGE	TUBE, OIL GAUGE	
				<b>Oil Pan&amp;Level Gauge</b>	<b>Engine</b>	<b>0114</b>

**0114**

**Engine**

**Oil Pan&Level Gauge**



**ob901z**

Picture No: OB901ZB-00

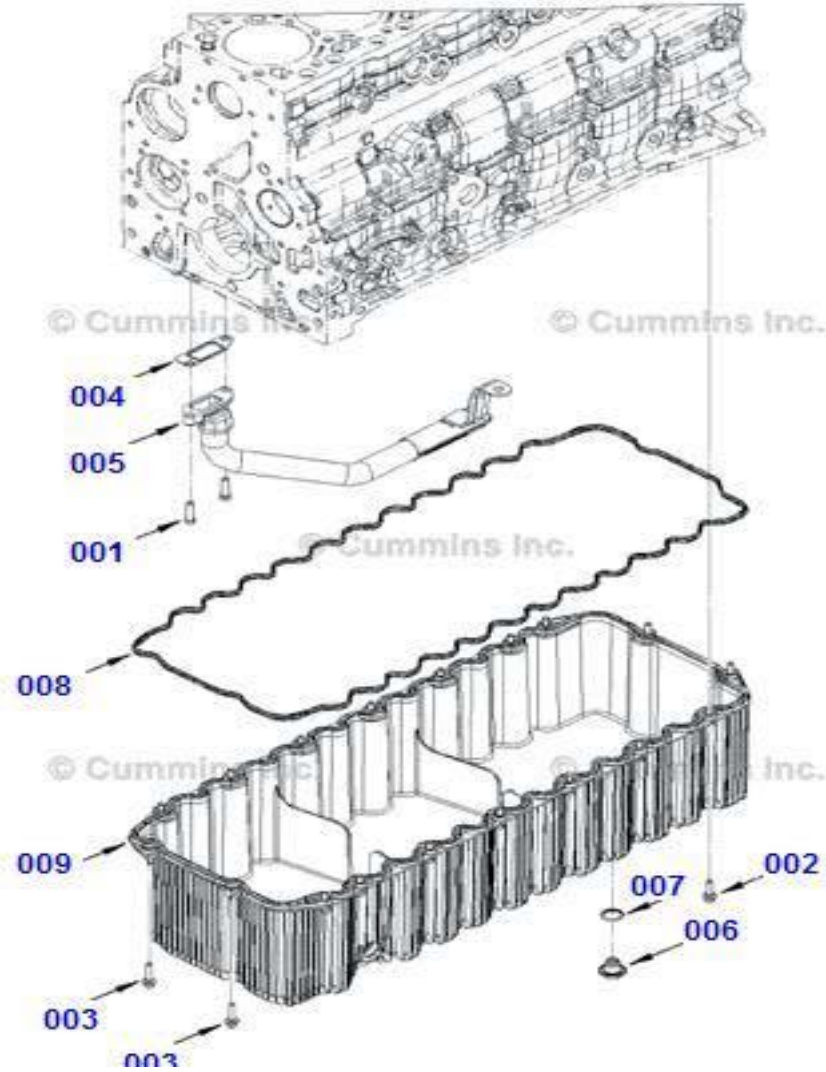




**0114**

**Engine**

**Oil Pan&Level Gauge**



Picture No: OP970GG-00

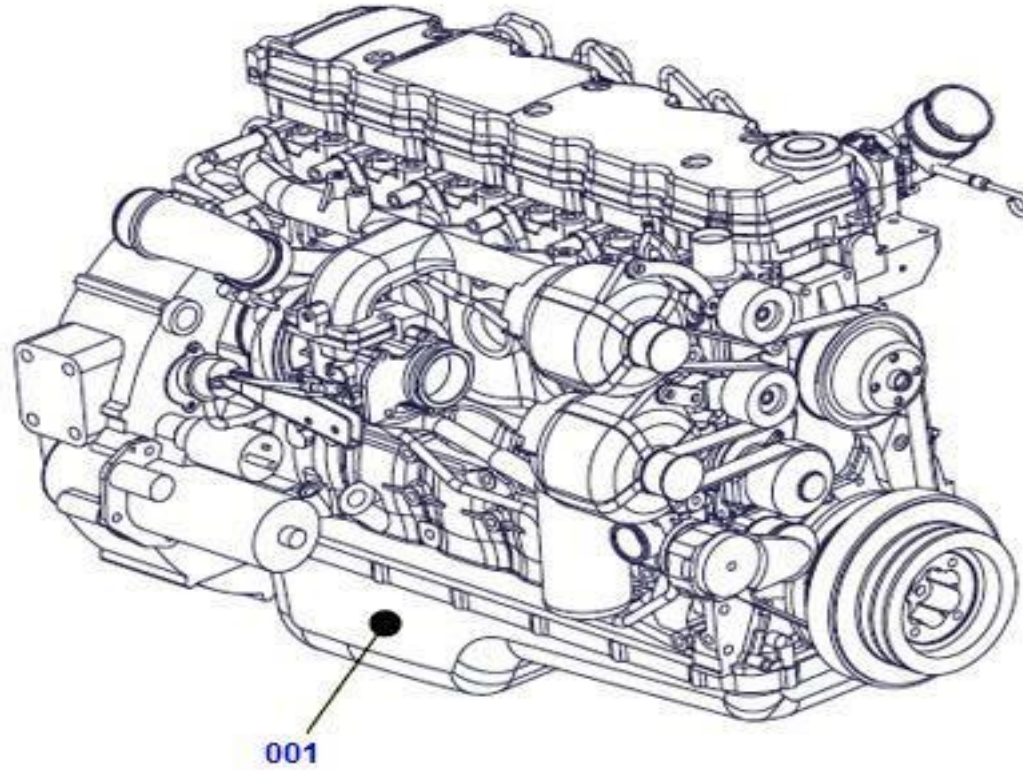


POZ	Part No	N.S.N	Code	Part Name (Türkçe)	Part Name (English)	Quantity
				<i>Oil Pan&amp;Level Gauge</i>		
000	CM5291953			PAN, OIL	PAN, OIL	
001	CM3025806			SCREW, SOCKET HEAD CAP	SCREW, SOCKET HEAD CAP	
002	CM3900631			SCREW, HEX FLANGE HEAD CAP	SCREW, HEX FLANGE HEAD CAP	
003	CM3902114			SCREW, HEX FLANGE HEAD CAP	SCREW, HEX FLANGE HEAD CAP	
004	CM4898301			GASKET, OIL SUC CONNECTION	GASKET, OIL SUC CONNECTION	
005	CM5310214			TUBE, LUB OIL SUCTION	TUBE, LUB OIL SUCTION	
006	CM4994692			PLUG, THREADED	PLUG, THREADED	
007	CM4995185			SEAL, D RING	SEAL, D RING	
008	CM5288661			GASKET, OIL PAN	GASKET, OIL PAN	
009	CM5292957			PAN, OIL	PAN, OIL	

Oil Pan&amp;Level Gauge

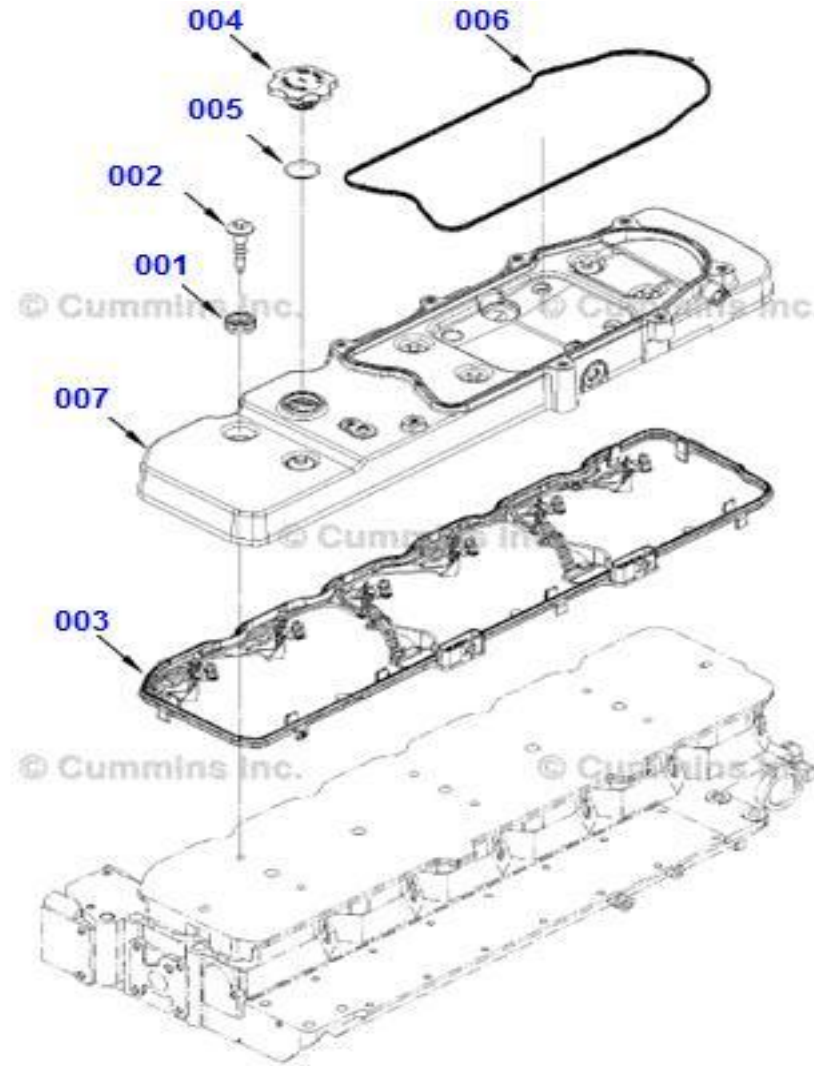
Engine

0114

**0115****Engine****Cylinder Head Cover**

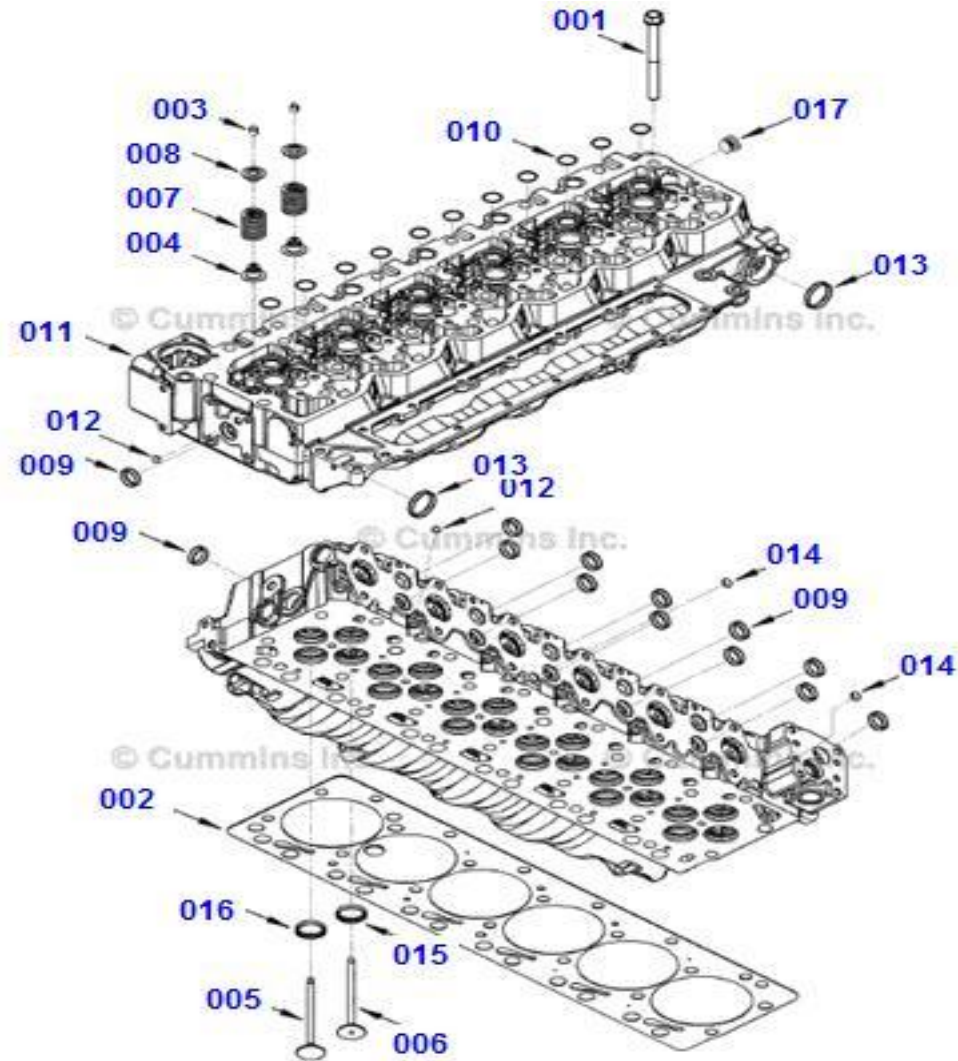
Picture No: EPL340100100-00

POZ	Part No	N.S.N	Code	Part Name (Türkçe)	Part Name (English)	Quantity
001	387031548151			Cylinder Head Cover MOTOR, ISB6, 7 E6 280B	ENGINE, ISB6, 7E6 280B	1
Cylinder Head Cover				Engine		0115

**0115****Engine****Cylinder Head Cover**

Picture No: VC959GQ-00

POZ	Part No	N.S.N	Code	Part Name (Türkçe)	Part Name (English)	Quantity
				<i>Cylinder Head Cover</i>		
000	CM4936172			SCREW, SDR ISOLATOR CAP	SCREW, SDR ISOLATOR CAP	
000	CM5284305			COVER, VALVE	COVER, VALVE	
000	CM3973511			CAP, FILLER	CAP, FILLER	
001	CM3973853			ISOLATOR, VIBRATION	ISOLATOR, VIBRATION	
002	CM4936173			SCREW, SDR ISOLATOR CAP	SCREW, SDR ISOLATOR CAP	
003	CM5264950			GASKET, INTEGRATED WIRING	GASKET, INTEGRATED WIRING	
004	CM3968283			CAP, FILLER	CAP, FILLER	
005	CM3973512			SEAL, O RING	SEAL, O RING	
006	CM3999820			GASKET, BREATHER	GASKET, BREATHER	
007	CM5284306			COVER, VALVE	COVER, VALVE	
				<b>Cylinder Head Cover</b>	<b>Engine</b>	<b>0115</b>

**0116****Engine****Cylinder Head**

Picture No: PP983GW-00



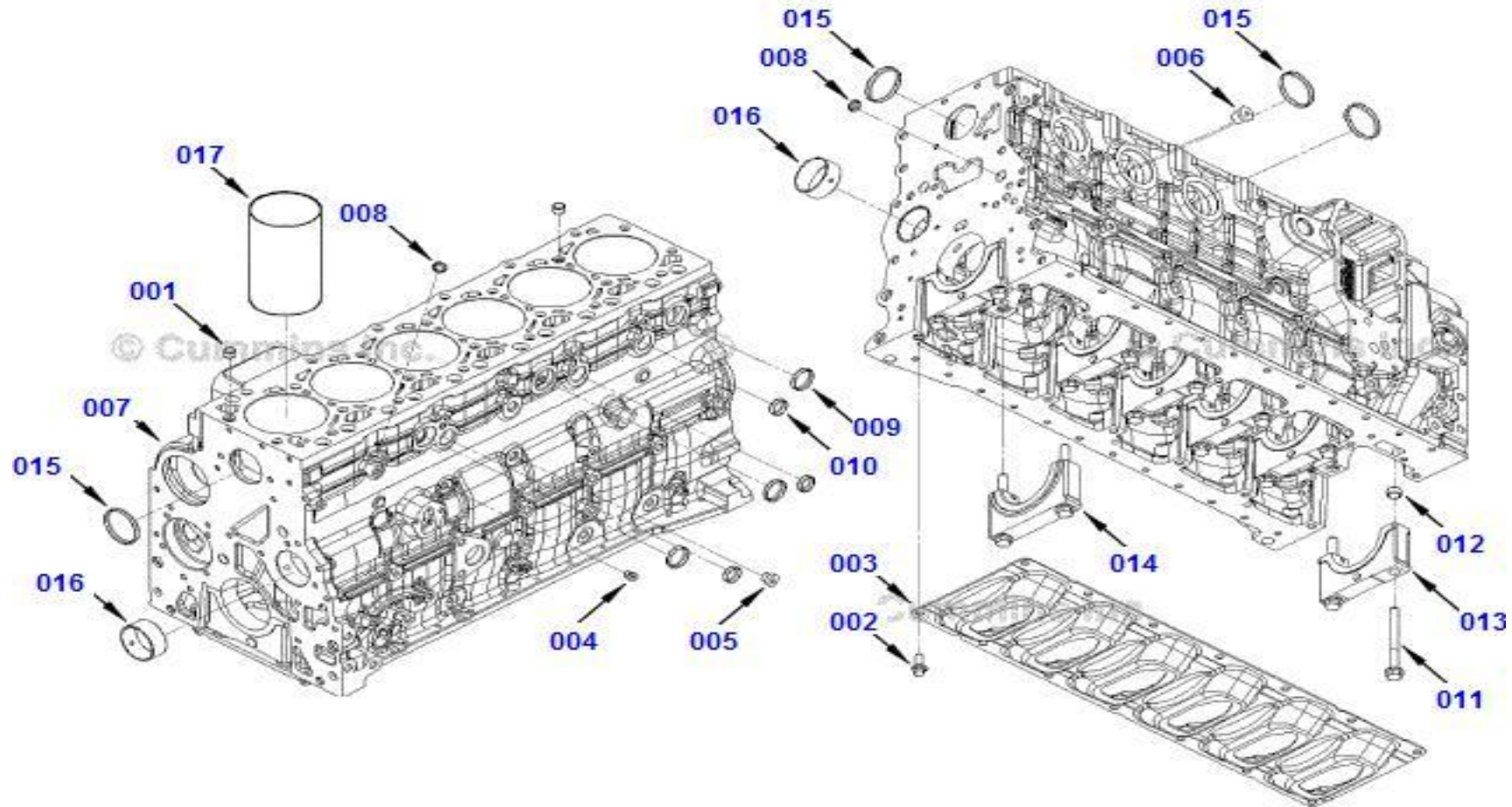
POZ	Part No	N.S.N	Code	Part Name (Türkçe)	Part Name (English)	Quantity
				<i>Cylinder Head</i>		
000	CM4988954			HEAD, CYLINDER	HEAD, CYLINDER	
000	CM3802924			KIT, INTAKE VALVE	KIT, INTAKE VALVE	
000	CM3802967			KIT, EXHAUST VALVE	KIT, EXHAUST VALVE	
000	CM5282721			HEAD, CYLINDER	HEAD, CYLINDER	
000	CM			SERVICE PARTS	SERVICE PARTS	
001	CM3927063			SCREW, HEX FLANGE HEAD CAP	SCREW, HEX FLANGE HEAD CAP	
002	CM4932210			GASKET, CYLINDER HEAD	GASKET, CYLINDER HEAD	
003	CM3940123			COLLET, VALVE	COLLET, VALVE	
004	CM3955393			SEAL, VALVE STEM	SEAL, VALVE STEM	
005	CM3940735			VALVE, INTAKE	VALVE, INTAKE	
006	CM3940734			VALVE, EXHAUST	VALVE, EXHAUST	
007	CM4936080			SPRING, VALVE	SPRING, VALVE	
008	CM3943198			RETAINER, VALVE SPRING	RETAINER, VALVE SPRING	
009	CM3914035			PLUG, EXPANSION	PLUG, EXPANSION	
010	CM5263672			PLUG, EXPANSION	PLUG, EXPANSION	
011	CM4983047			HEAD, CYLINDER	HEAD, CYLINDER	
012	CM3007632			PLUG, EXPANSION	PLUG, EXPANSION	
013	CM3945094			PLUG, EXPANSION	PLUG, EXPANSION	
014	CM3945095			PLUG, EXPANSION	PLUG, EXPANSION	
015	CM3943449			INSERT, VALVE	INSERT, VALVE	
015	CM3939719			INSERT, VALVE	INSERT, VALVE	
015	CM3939720			INSERT, VALVE	INSERT, VALVE	
015	CM3939721			INSERT, VALVE	INSERT, VALVE	
016	CM3943450			INSERT, VALVE	INSERT, VALVE	
016	CM3939723			INSERT, VALVE	INSERT, VALVE	
016	CM3939724			INSERT, VALVE	INSERT, VALVE	
016	CM3939725			INSERT, VALVE	INSERT, VALVE	
017	CM3008469			PLUG, PIPE	PLUG, PIPE	

Cylinder Head

Engine

0116



**0117****Engine****Cylinder Block**

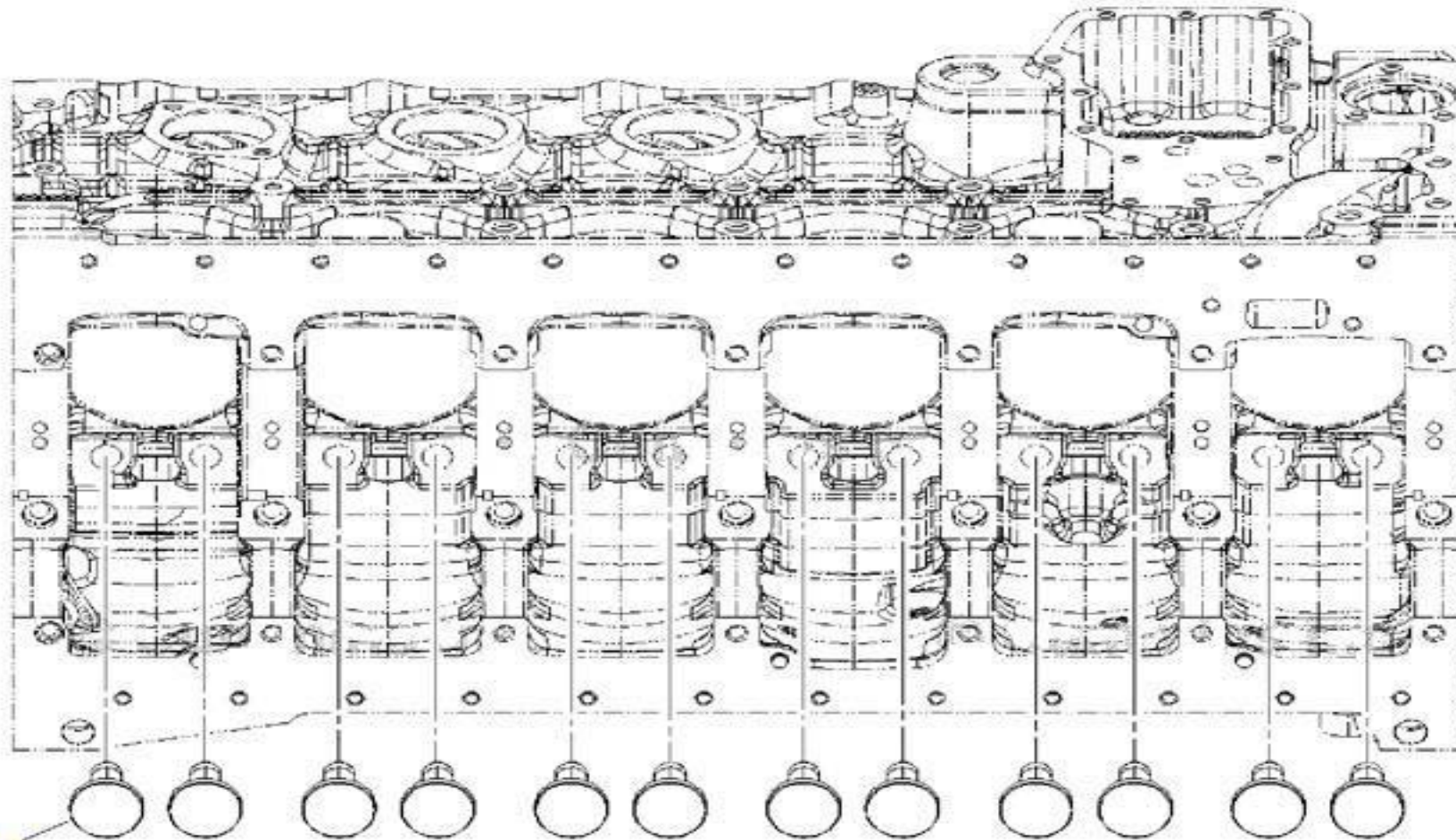
Picture No: BB918GL-00

POZ	Part No	N.S.N	Code	Part Name (Türkçe)	Part Name (English)	Quantity
				<i>Cylinder Block</i>		
000	CM5302096			BLOCK, CYLINDER	BLOCK, CYLINDER	
000	CM5314775			CAP, MAIN BEARING	CAP, MAIN BEARING	
000	CM5314776			CAP, MAIN BEARING	CAP, MAIN BEARING	
001	CM3902343			DOWEL, RING	DOWEL, RING	
002	CM3903990			SCREW, HEX FLANGE HEAD CAP	SCREW, HEX FLANGE HEAD CAP	
003	CM5290910			STIFFENER, CYLINDER BLOCK	STIFFENER, CYLINDER BLOCK	
004	CM3977851			PLUG, THREADED	PLUG, THREADED	
005	CM3977853			PLUG, THREADED	PLUG, THREADED	
006	CM3977855			PLUG, THREADED	PLUG, THREADED	
007	CM4990447			BLOCK, CYLINDER	BLOCK, CYLINDER	
008	CM3900956			PLUG, EXPANSION	PLUG, EXPANSION	
009	CM3905401			PLUG, EXPANSION	PLUG, EXPANSION	
010	CM3914035			PLUG, EXPANSION	PLUG, EXPANSION	
011	CM3927948			SCREW, HEX FLANGE HEAD CAP	SCREW, HEX FLANGE HEAD CAP	
012	CM5315765			DOWEL, RING	DOWEL, RING	
013	CM3974156			CAP, MAIN BEARING	CAP, MAIN BEARING	
014	CM3974158			CAP, MAIN BEARING	CAP, MAIN BEARING	
015	CM4938189			PLUG, EXPANSION	PLUG, EXPANSION	
016	CM4983253			BUSHING	BUSHING	
017	CM4919951			SLEEVE, SALVAGE	SLEEVE, SALVAGE	
<b>Cylinder Block</b>				<b>Engine</b>		<b>0117</b>

**0118**

**Engine**

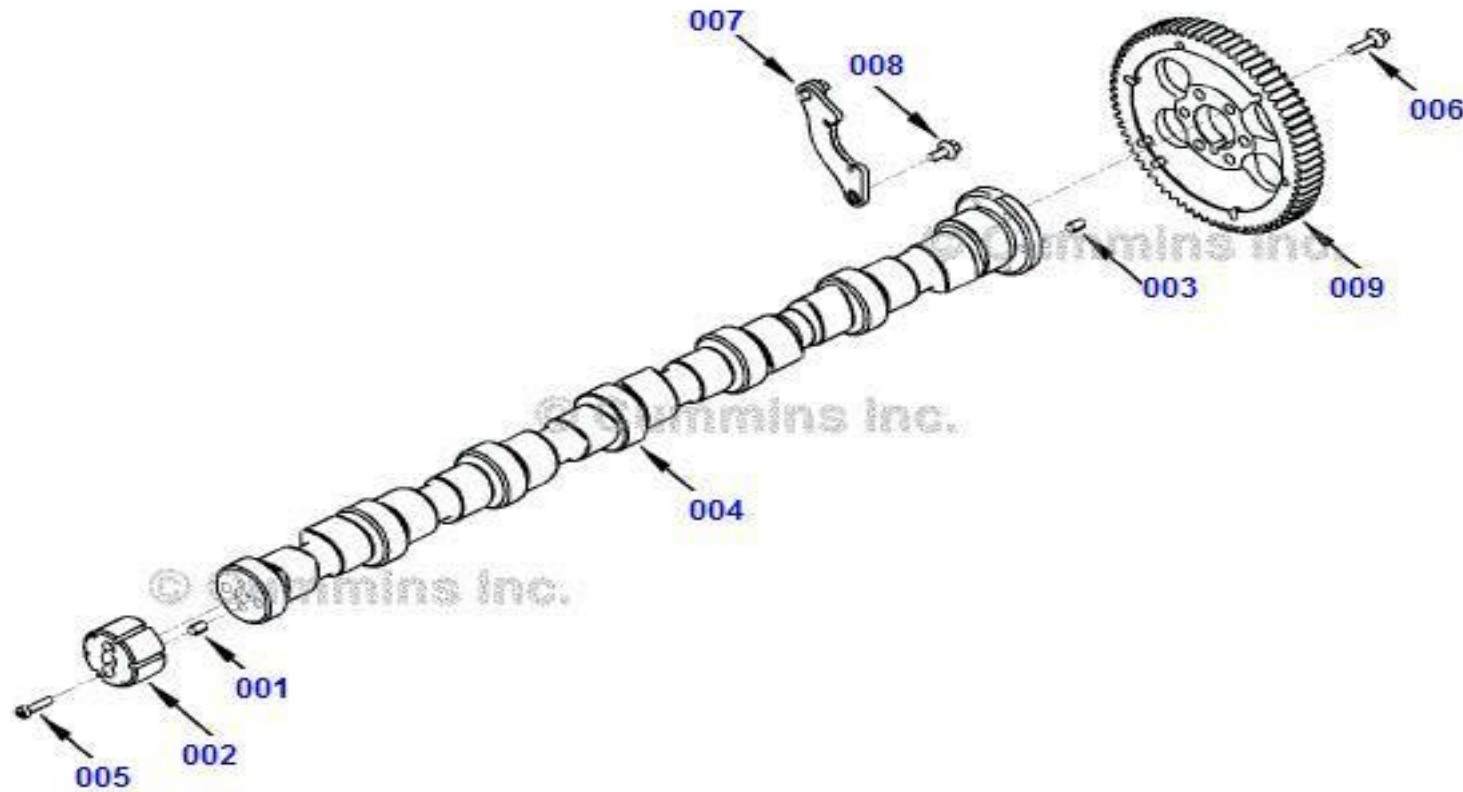
**Camshaft & Valve**



**001**

Picture No: BB902ZK-00

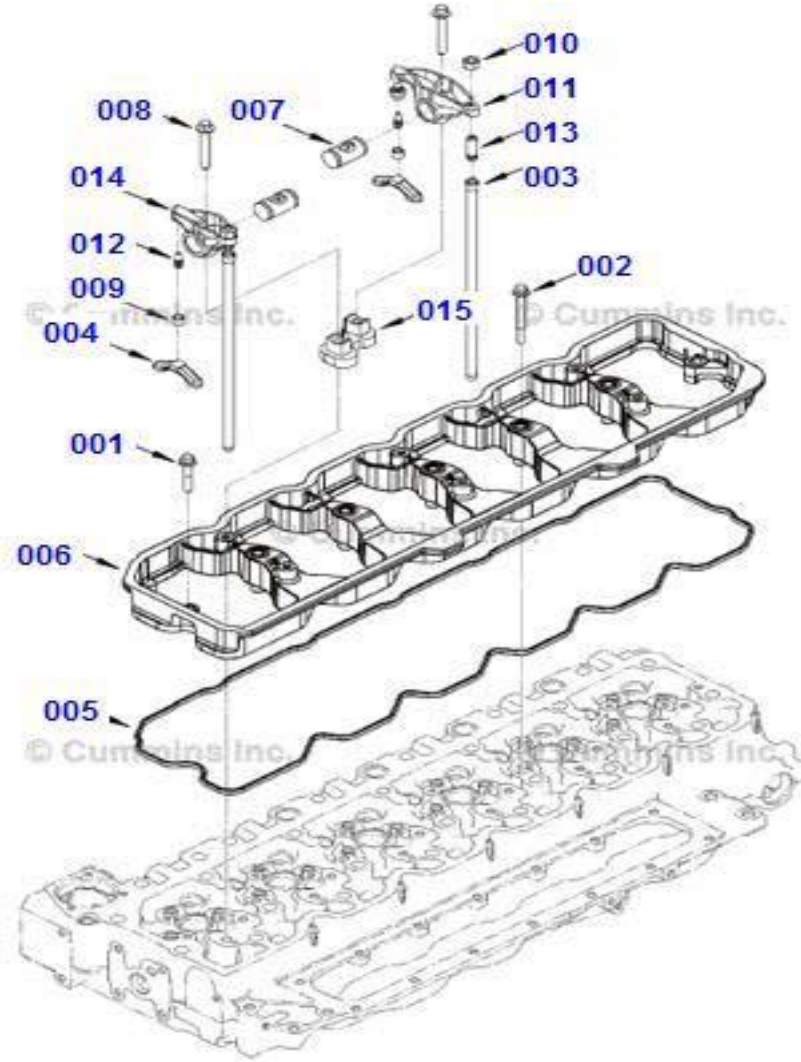
POZ	Part No	N.S.N	Code	Part Name (Türkçe)	Part Name (English)	Quantity
001	CM3947759			Camshaft & Valve TAPPET, VALVE	TAPPET, VALVE	
Camshaft & Valve				Engine		0118

**0118****Engine****Camshaft & Valve**

Picture No: PP968GS-00

POZ	Part No	N.S.N	Code	Part Name (Türkçe)	Part Name (English)	Quantity
				<i>Camshaft &amp; Valve</i>		
000	CM3954100			CAMSHAFT	CAMSHAFT	
000	CM3979506			CAMSHAFT	CAMSHAFT	
001	CM3954111			DOWEL, RING	DOWEL, RING	
002	CM3955069			RING, SPEED INDICATOR	RING, SPEED INDICATOR	
003	CM3904483			DOWEL, PIN	DOWEL, PIN	
004	CM3954099			CAMSHAFT	CAMSHAFT	
005	CM4895877			SCREW, SOCKET HEAD CAP	SCREW, SOCKET HEAD CAP	
006	CM3093730			SCREW, HEX FLANGE HEAD CAP	SCREW, HEX FLANGE HEAD CAP	
007	CM5258931			SUPPORT, CAMSHAFT THRUST	SUPPORT, CAMSHAFT THRUST	
008	CM3925883			SCREW, HEX FLANGE HEAD CAP	SCREW, HEX FLANGE HEAD CAP	
009	CM3955152			GEAR, CAMSHAFT	GEAR, CAMSHAFT	
<b>Camshaft &amp; Valve</b>				<b>Engine</b>		<b>0118</b>



**0118****Engine****Camshaft & Valve**

Picture No: RL942GJ-00

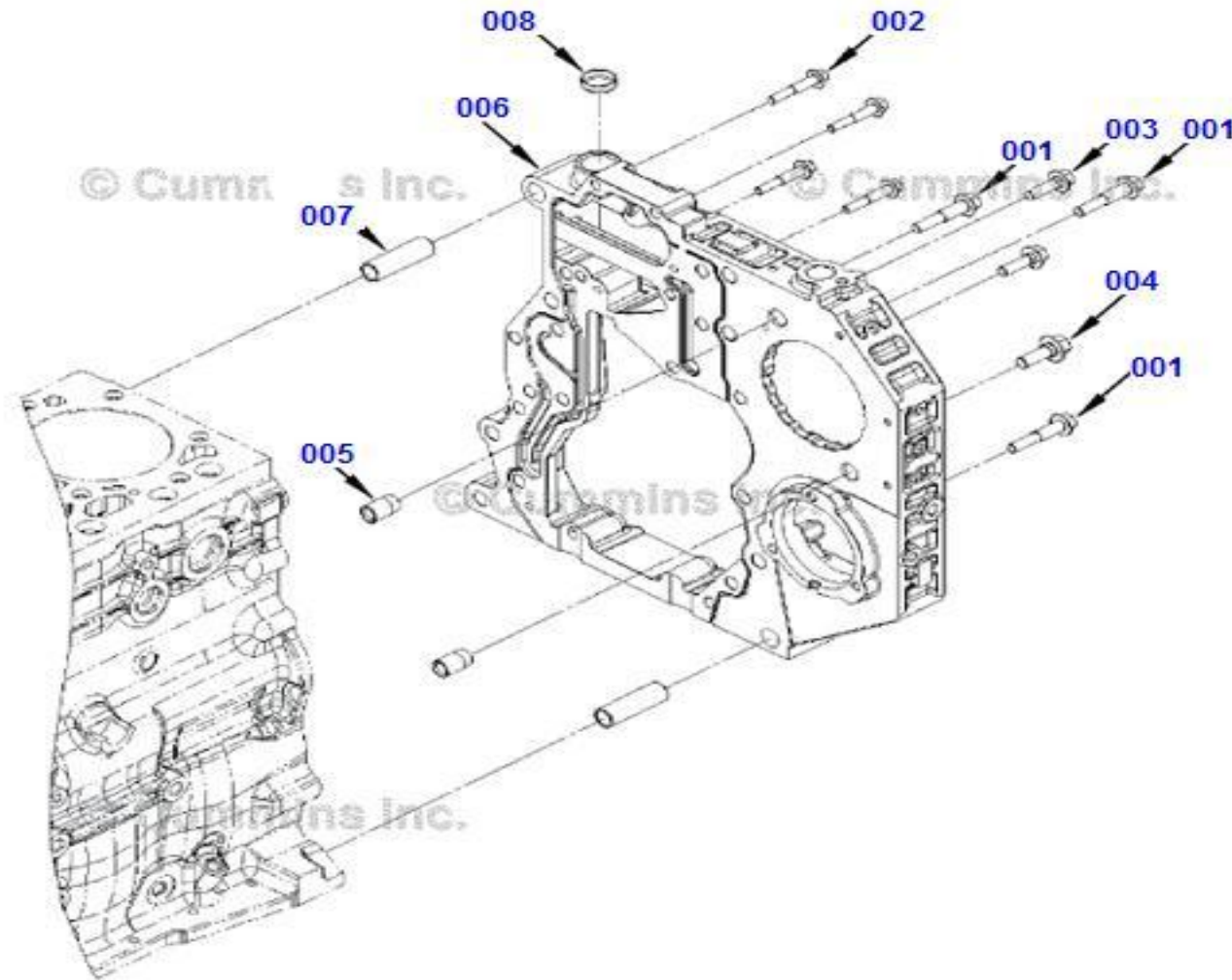
POZ	Part No	N.S.N	Code	Part Name (Türkçe)	Part Name (English)	Quantity
				<i>Camshaft &amp; Valve</i>		
000	CM3974981			HOUSING, ROCKER LEVER	HOUSING, ROCKER LEVER	
000	CM4995602			ASSEMBLY, ROCKER LEVER	ASSEMBLY, ROCKER LEVER	
000	CM4995603			LEVER, ROCKER	LEVER, ROCKER	
000	CM4995605			LEVER, ROCKER	LEVER, ROCKER	
000	CM4995604			LEVER, ROCKER	LEVER, ROCKER	
000	CM4995606			LEVER, ROCKER	LEVER, ROCKER	
001	CM3900678			SCREW, HEX FLANGE HEAD CAP	SCREW, HEX FLANGE HEAD CAP	
002	CM3903096			SCREW, HEX FLANGE HEAD CAP	SCREW, HEX FLANGE HEAD CAP	
003	CM3941253			ROD, PUSH	ROD, PUSH	
004	CM3943626			CROSSHEAD, VALVE	CROSSHEAD, VALVE	
005	CM3963379			GASKET, RKR LEVER HOUSING	GASKET, RKR LEVER HOUSING	
006	CM3975943			HOUSING, ROCKER LEVER	HOUSING, ROCKER LEVER	
007	CM4928699			SHAFT, ROCKER LEVER	SHAFT, ROCKER LEVER	
008	CM3990127			SCREW, HEX FLANGE HEAD CAP	SCREW, HEX FLANGE HEAD CAP	
009	CM4994198			SOCKET, ROCKER LEVER	SOCKET, ROCKER LEVER	
010	CM3927692			NUT, HEAVY HEXAGON	NUT, HEAVY HEXAGON	
011	CM3941928			LEVER, ROCKER	LEVER, ROCKER	
012	CM4994197			BALL, ROCKER LEVER	BALL, ROCKER LEVER	
013	CM3959128			SCREW, RKR LEVER ADJUSTING	SCREW, RKR LEVER ADJUSTING	
014	CM3941927			LEVER, ROCKER	LEVER, ROCKER	
015	CM3964908			SUPPORT, ROCKER LEVER	SUPPORT, ROCKER LEVER	
<b>Camshaft &amp; Valve</b>				<b>Engine</b>		<b>0118</b>



**0119**

**Engine**

**Crankshaft,Piston & Flywheel**



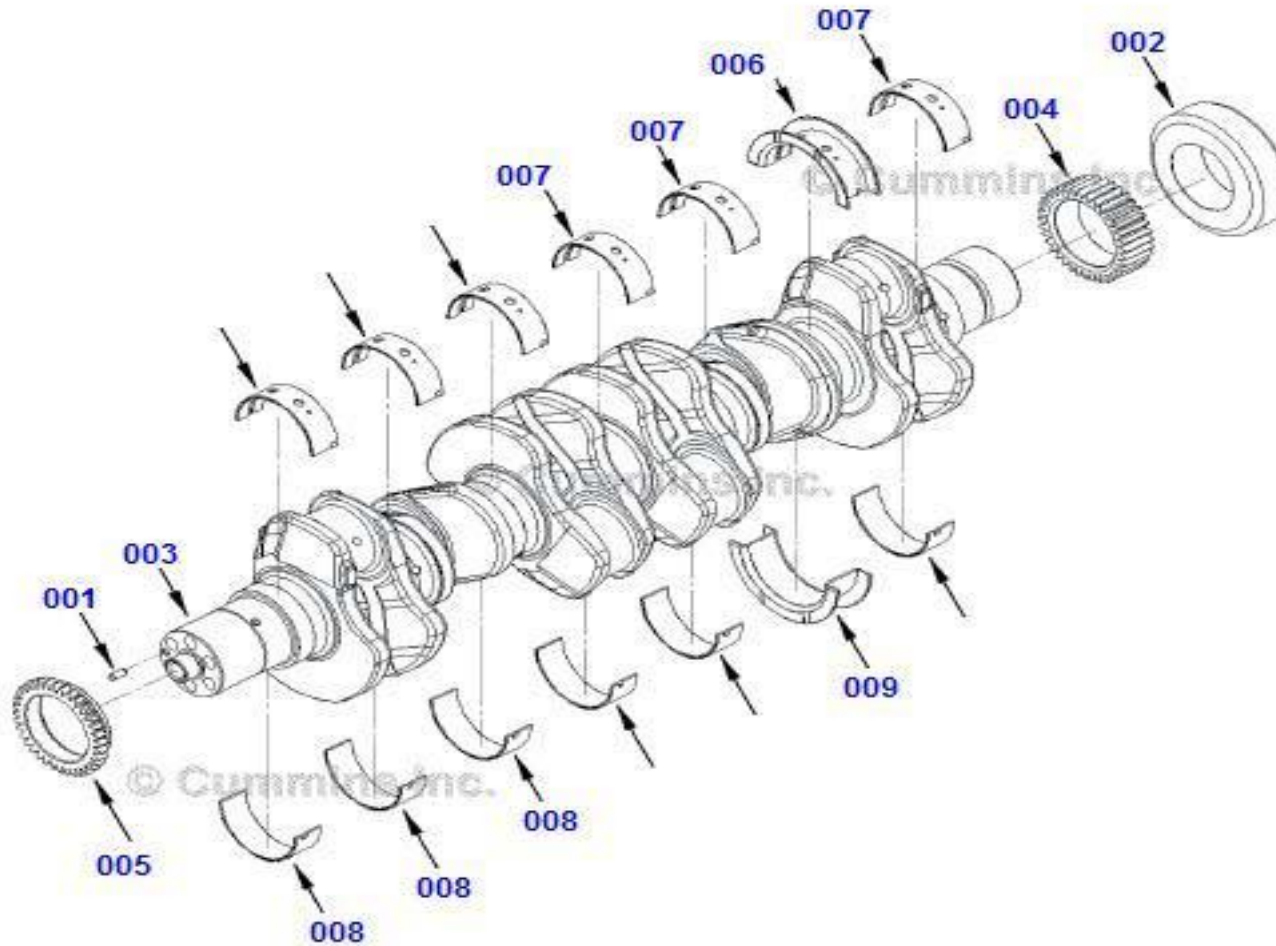
Picture No: BB904GV-00

POZ	Part No	N.S.N	Code	Part Name (Türkçe)	Part Name (English)	Quantity
				<i>Crankshaft,Piston &amp; Flywheel</i>		
000	CM4936423			HOUSING, GEAR	HOUSING, GEAR	
001	CM3918153			SCREW, HEX FLANGE HEAD CAP	SCREW, HEX FLANGE HEAD CAP	
002	CM3901445			SCREW, HEX FLANGE HEAD CAP	SCREW, HEX FLANGE HEAD CAP	
003	CM3903112			SCREW, HEX FLANGE HEAD CAP	SCREW, HEX FLANGE HEAD CAP	
004	CM3910495			SCREW, HEX FLANGE HEAD CAP	SCREW, HEX FLANGE HEAD CAP	
005	CM4929128			INSERT, THREADED	INSERT, THREADED	
006	CM4936420			HOUSING, GEAR	HOUSING, GEAR	
007	CM3954616			DOWEL, RING	DOWEL, RING	
008	CM3914035			PLUG, EXPANSION	PLUG, EXPANSION	
				<b>Crankshaft,Piston &amp; Flywheel</b>	<b>Engine</b>	<b>0119</b>

**0119**

**Engine**

**Crankshaft,Piston & Flywheel**



Picture No: BB909GO-00

POZ	Part No	N.S.N	Code	Part Name (Türkçe)	Part Name (English)	Quantity
				<i>Crankshaft,Piston &amp; Flywheel</i>		
000	CM4934861			CRANKSHAFT, ENGINE	CRANKSHAFT, ENGINE	
000	CM4934862			CRANKSHAFT, ENGINE	CRANKSHAFT, ENGINE	
000	CM4955521			SET, MAIN BEARING	SET, MAIN BEARING	
001	CM3955030			DOWEL, PIN	DOWEL, PIN	
002	CM2831066			COLLAR, SHAFT	COLLAR, SHAFT	
003	CM3968164			CRANKSHAFT, ENGINE	CRANKSHAFT, ENGINE	
004	CM4934419			GEAR, CRANKSHAFT	GEAR, CRANKSHAFT	
005	CM4934418			GEAR, CRANKSHAFT	GEAR, CRANKSHAFT	
006	CM3978822			BEARING, THRUST	BEARING, THRUST	
006	CM4938949			BEARING, THRUST	BEARING, THRUST	
006	CM4938950			BEARING, THRUST	BEARING, THRUST	
006	CM4938951			BEARING, THRUST	BEARING, THRUST	
006	CM4938952			BEARING, THRUST	BEARING, THRUST	
006	CM4938953			BEARING, THRUST	BEARING, THRUST	
006	CM4938954			BEARING, THRUST	BEARING, THRUST	
007	CM3978818			BEARING, MAIN	BEARING, MAIN	
007	CM4938933			BEARING, MAIN	BEARING, MAIN	
007	CM4938934			BEARING, MAIN	BEARING, MAIN	
007	CM4938935			BEARING, MAIN	BEARING, MAIN	
007	CM4938936			BEARING, MAIN	BEARING, MAIN	
008	CM3978820			BEARING, MAIN	BEARING, MAIN	
008	CM4938937			BEARING, MAIN	BEARING, MAIN	
008	CM4938938			BEARING, MAIN	BEARING, MAIN	
008	CM4938939			BEARING, MAIN	BEARING, MAIN	
008	CM4938940			BEARING, MAIN	BEARING, MAIN	
009	CM3978824			BEARING, THRUST	BEARING, THRUST	
009	CM4938942			BEARING, THRUST	BEARING, THRUST	
009	CM4938943			BEARING, THRUST	BEARING, THRUST	

Crankshaft,Piston &amp; Flywheel

Engine

0119

**0119**

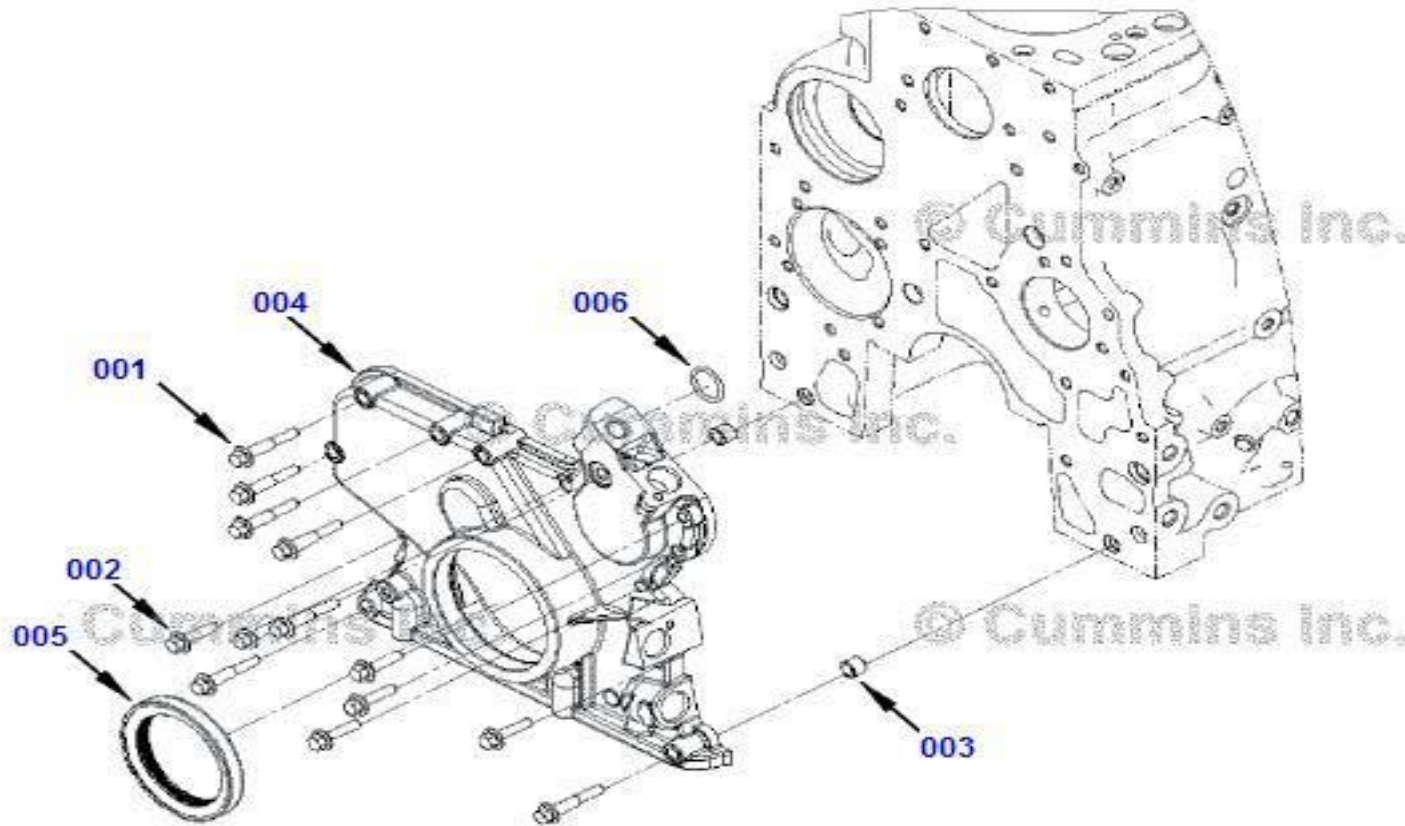
**Engine**

**Crankshaft,Piston & Flywheel**



Picture No: DA951GW-00

POZ	Part No	N.S.N	Code	Part Name (Türkçe)	Part Name (English)	Quantity
				<i>Crankshaft,Piston &amp; Flywheel</i>		
001	CM5256139			DAMPER, VISCOUS VIBRATION	DAMPER, VISCOUS VIBRATION	
002	CM3978478			FLANGE, CRANKSHAFT	FLANGE, CRANKSHAFT	
003	CM4896768			SCREW, HEX FLANGE HEAD CAP	SCREW, HEX FLANGE HEAD CAP	
				<b>Crankshaft,Piston &amp; Flywheel</b>	<b>Engine</b>	<b>0119</b>

**0119****Engine****Crankshaft, Piston & Flywheel**

Picture No: GG942GW-00

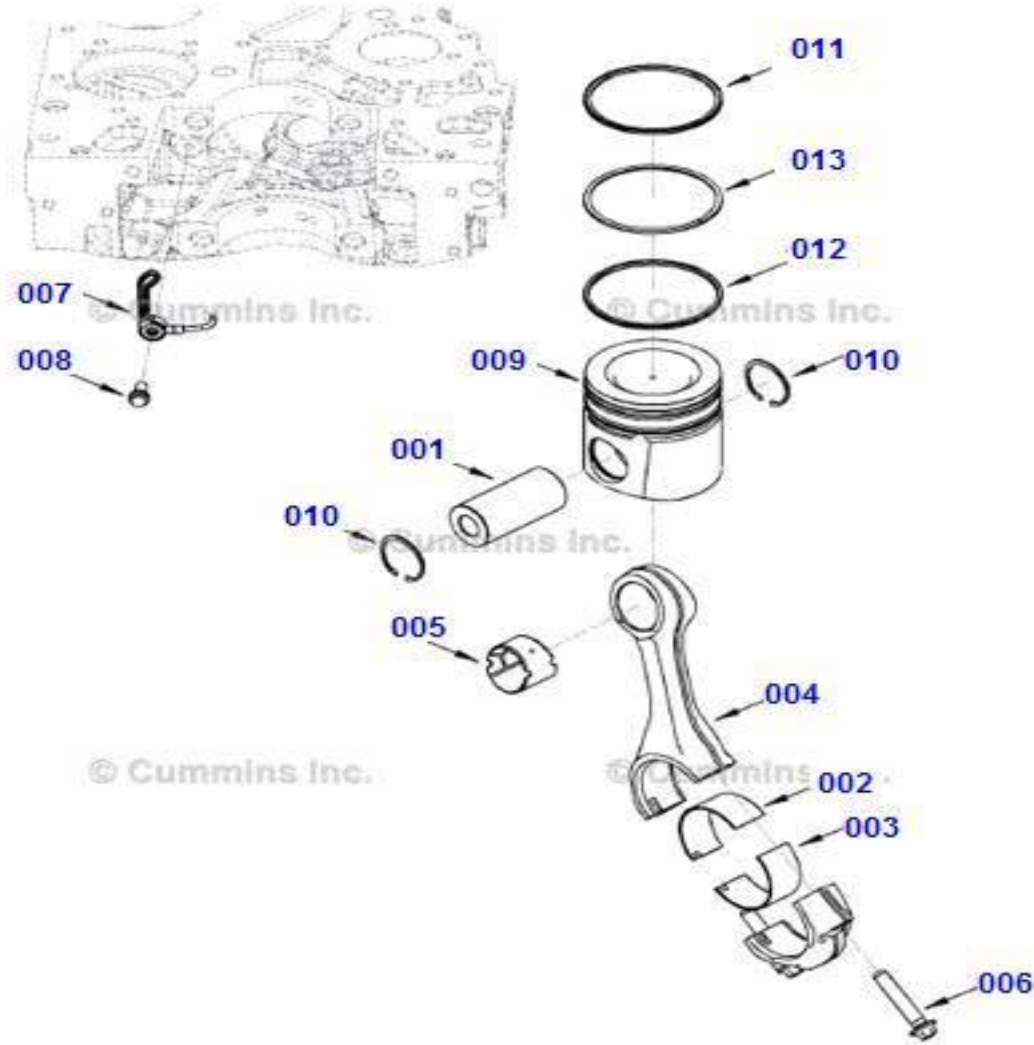
POZ	Part No	N.S.N	Code	Part Name (Türkçe)	Part Name (English)	Quantity
				<i>Crankshaft,Piston &amp; Flywheel</i>		
001	CM3901445			SCREW, HEX FLANGE HEAD CAP	SCREW, HEX FLANGE HEAD CAP	
002	CM3902114			SCREW, HEX FLANGE HEAD CAP	SCREW, HEX FLANGE HEAD CAP	
003	CM3949326			DOWEL, RING	DOWEL, RING	
004	CM5289179			COVER, FRONT	COVER, FRONT	
005	CM4890832			SEAL, OIL	SEAL, OIL	
006	CM3958414			SEAL, O RING	SEAL, O RING	
<b>Crankshaft,Piston &amp; Flywheel</b>				<b>Engine</b>		<b>0119</b>



**0119**

**Engine**

**Crankshaft,Piston & Flywheel**



Picture No: PP990GF-00

POZ	Part No	N.S.N	Code	Part Name (Türkçe)	Part Name (English)	Quantity
				<i>Crankshaft,Piston &amp; Flywheel</i>		
000	CM4943979			ROD, ENGINE CONNECTING	ROD, ENGINE CONNECTING	
000	CM4309383			KIT, PISTON	KIT, PISTON	
000	CM4955366			SET, PISTON RING	SET, PISTON RING	
000	CM4309445			KIT, PISTON (0.5 MM OS)	KIT, PISTON (0.5 MM OS)	
000	CM2882039			.05 MM PISTON RING SET	05 MM PISTON RING SET	
001	CM4931041			PIN, PISTON	PIN, PISTON	
002	CM3969562			BEARING, CONNECTING ROD	BEARING, CONNECTING ROD	
002	CM4932375			BEARING, CONNECTING ROD	BEARING, CONNECTING ROD	
002	CM4932376			BEARING, CONNECTING ROD	BEARING, CONNECTING ROD	
002	CM4932377			BEARING, CONNECTING ROD	BEARING, CONNECTING ROD	
002	CM4932378			BEARING, CONNECTING ROD	BEARING, CONNECTING ROD	
003	CM4893693			BEARING, CONNECTING ROD	BEARING, CONNECTING ROD	
003	CM4892795			BEARING, CONNECTING ROD	BEARING, CONNECTING ROD	
003	CM4892796			BEARING, CONNECTING ROD	BEARING, CONNECTING ROD	
003	CM4892797			BEARING, CONNECTING ROD	BEARING, CONNECTING ROD	
003	CM4892798			BEARING, CONNECTING ROD	BEARING, CONNECTING ROD	
004	CM4943978			ROD, ENGINE CONNECTING	ROD, ENGINE CONNECTING	
005	CM4891178			BUSHING	BUSHING	
006	CM4891179			SCREW, CONNECTING ROD CAP	SCREW, CONNECTING ROD CAP	
007	CM4937308			NOZZLE, PISTON COOLING	NOZZLE, PISTON COOLING	
008	CM3964817			SCREW, BANJO CONNECTOR	SCREW, BANJO CONNECTOR	
009	CM5274516			PISTON, ENGINE	PISTON, ENGINE	
009	CM5274517			PISTON, ENGINE	PISTON, ENGINE	
010	CM3920691			RING, RETAINING	RING, RETAINING	
011	CM3976339			RING, COMPRESSION PISTON	RING, COMPRESSION PISTON	
011	CM4931042			RING, COMPRESSION PISTON	RING, COMPRESSION PISTON	
012	CM4932801			RING, OIL PISTON	RING, OIL PISTON	
012	CM4932802			RING, OIL PISTON	RING, OIL PISTON	

Crankshaft,Piston &amp; Flywheel

Engine

0119



POZ	Part No	N.S.N	Code	Part Name (Türkçe)	Part Name (English)	Quantity
				<i>Timing Gear Case &amp; Flywheel Housing</i>		
000	CM5287353			HOUSING, FLYWHEEL	HOUSING, FLYWHEEL	
000	CM3934486			RR CRANKSEAL SERV KIT	RR CRANKSEAL SERV KIT	
000	CM3904325			TOOL, SEAL INSTALLATION	TOOL, SEAL INSTALLATION	
000	CM3909409			TOOL, SEAL INSTALLATION	TOOL, SEAL INSTALLATION	
001	CM3089316			SCREW, HEX FLANGE HEAD CAP	SCREW, HEX FLANGE HEAD CAP	
002	CM3332242			SCREW, HEX FLANGE HEAD CAP	SCREW, HEX FLANGE HEAD CAP	
003	CM3900629			SCREW, HEX FLANGE HEAD CAP	SCREW, HEX FLANGE HEAD CAP	
004	CM3900634			SCREW, HEX FLANGE HEAD CAP	SCREW, HEX FLANGE HEAD CAP	
005	CM3900635			SCREW, HEX FLANGE HEAD CAP	SCREW, HEX FLANGE HEAD CAP	
006	CM3900679			SCREW, HEX FLANGE HEAD CAP	SCREW, HEX FLANGE HEAD CAP	
007	CM3902451			SCREW, HEX FLANGE HEAD CAP	SCREW, HEX FLANGE HEAD CAP	
008	CM3903464			SCREW, HEX FLANGE HEAD CAP	SCREW, HEX FLANGE HEAD CAP	
009	CM3908095			PLATE, COVER	PLATE, COVER	
010	CM3910248			PLUG, O RING	PLUG, O RING	
011	CM3910260			SEAL, O RING	SEAL, O RING	
012	CM3914177			SCREW, HEX FLANGE HEAD CAP	SCREW, HEX FLANGE HEAD CAP	
013	CM3922863			SCREW, HEX FLANGE HEAD CAP	SCREW, HEX FLANGE HEAD CAP	
014	CM4892239			PLATE, COVER	PLATE, COVER	
015	CM4893494			GASKET, COVER PLATE	GASKET, COVER PLATE	
016	CM5259499			SEAL, OIL	SEAL, OIL	
017	CM4899132			INSERT, THREADED	INSERT, THREADED	
018	CM5287352			HOUSING, FLYWHEEL	HOUSING, FLYWHEEL	

Timing Gear Case &amp; Flywheel Housing

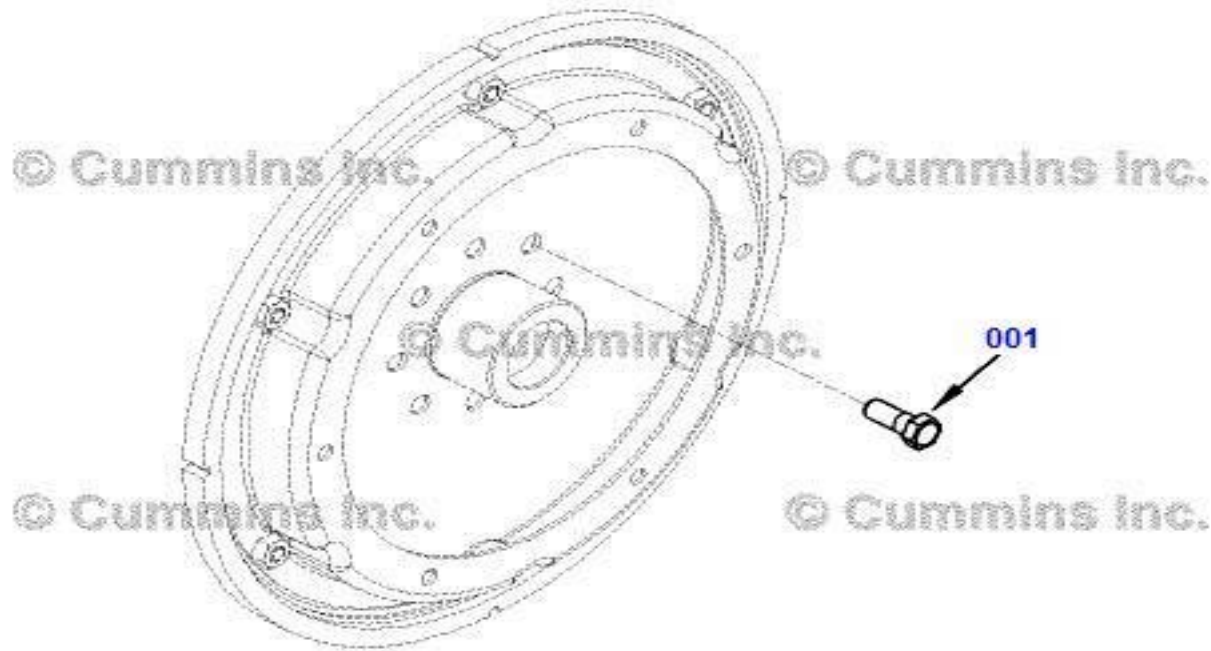
Engine

0120

**0120**

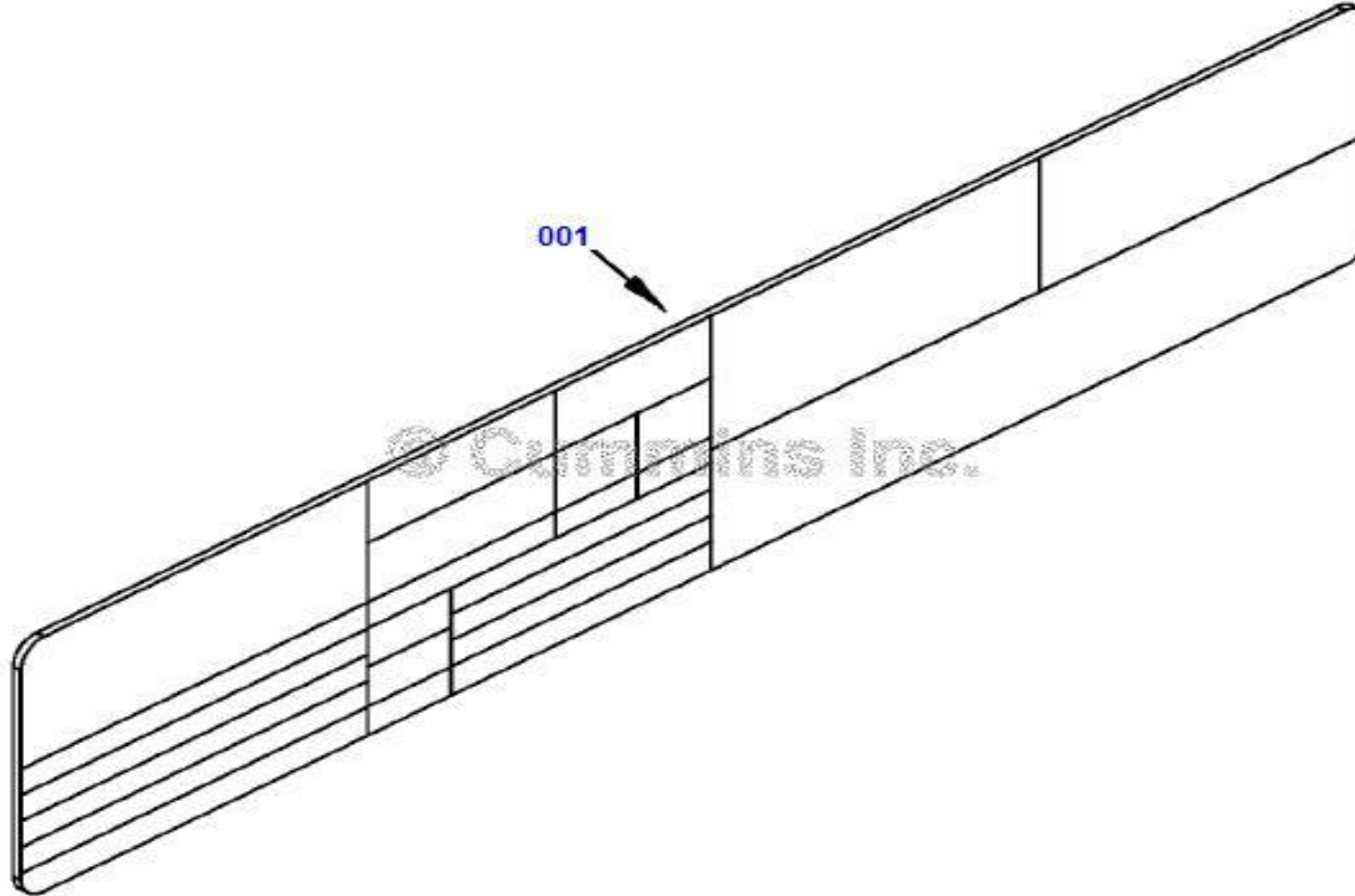
**Engine**

**Timing Gear Case & Flywheel Housing**



Picture No: FW951ZU-00

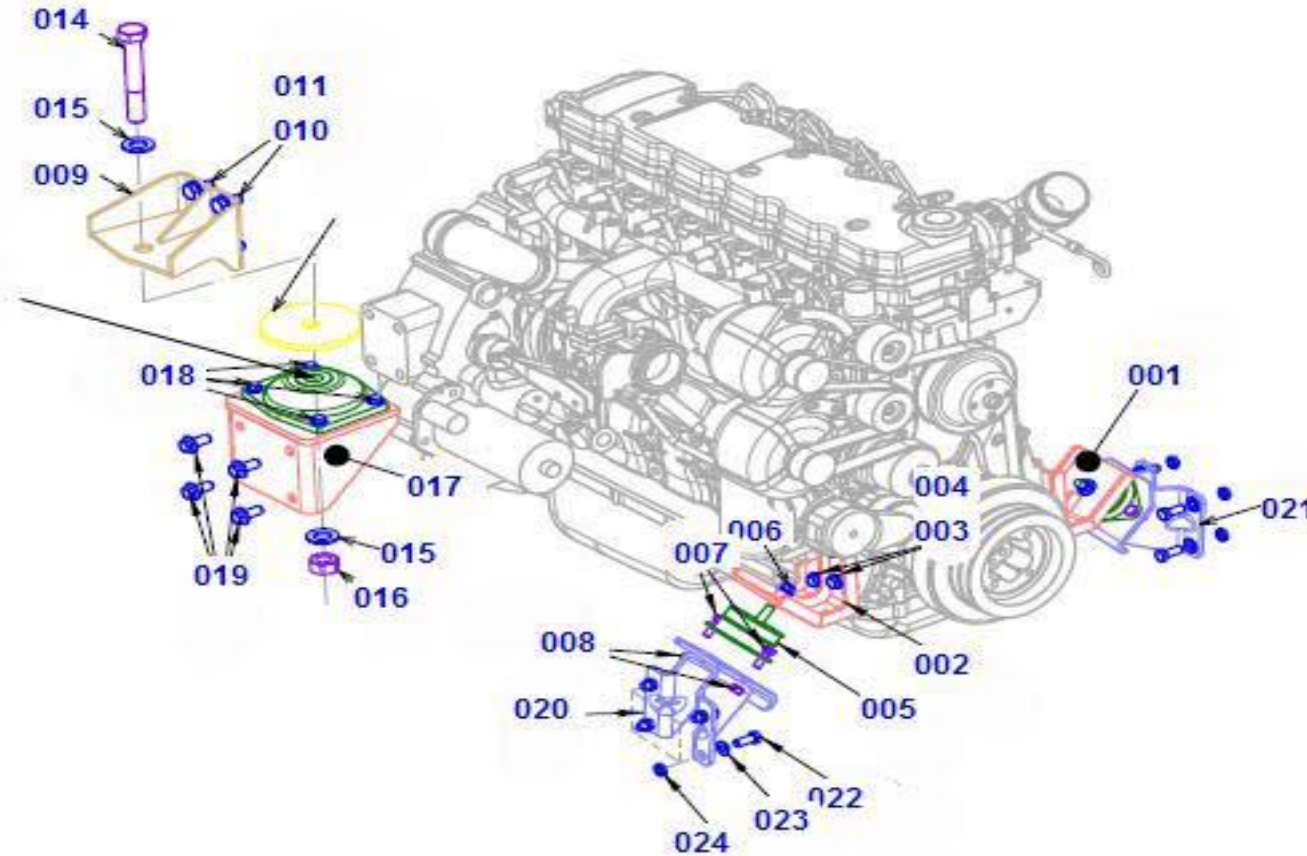
POZ	Part No	N.S.N	Code	Part Name (Türkçe)	Part Name (English)	Quantity
001	CM4894641			<i>Timing Gear Case &amp; Flywheel Housing</i> SCREW, CAPTIVE WASHER CAP	SCREW, CAPTIVE WASHER CAP	
				<b>Timing Gear Case &amp; Flywheel Housing</b>	<b>Engine</b>	<b>0120</b>

**0121****Engine****Engine Mounting**

Picture No: AP950GU-00

POZ	Part No	N.S.N	Code	Part Name (Türkçe)	Part Name (English)	Quantity
001	CM4996963			<i>Engine Mounting</i> DATAPLATE	DATAPLATE	
Engine Mounting				Engine		0121



**0121****Engine****Engine Mounting**

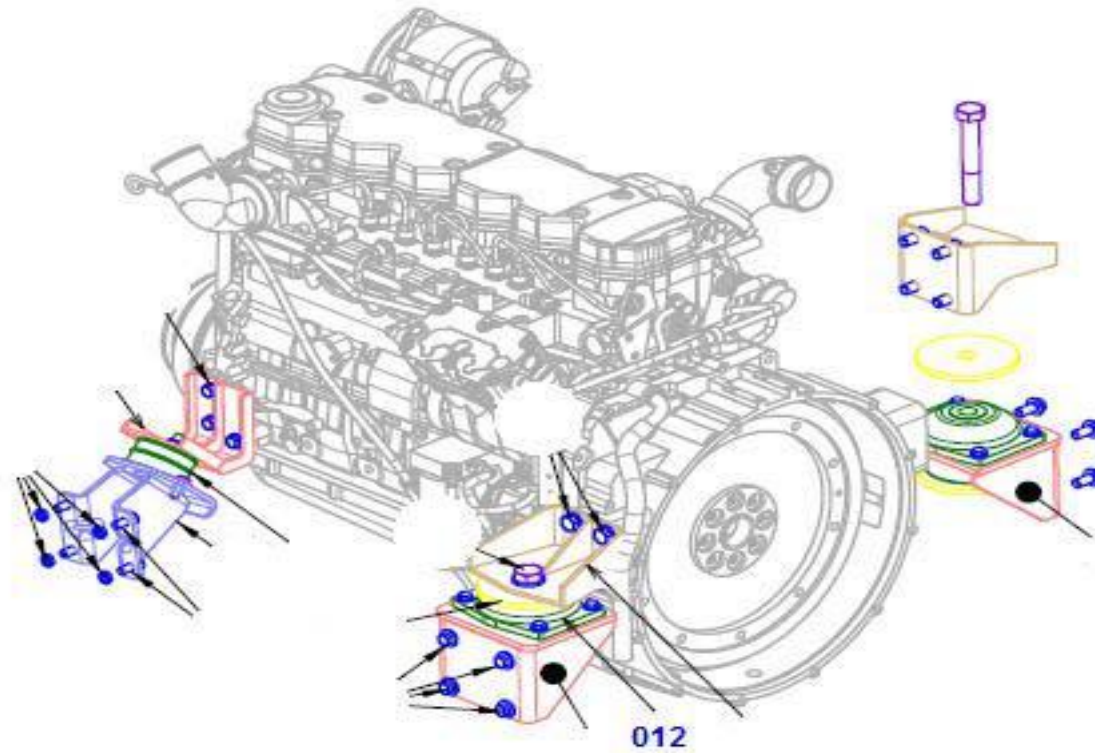
Picture No: EPL340220100-00

POZ	Part No	N.S.N	Code	Part Name (Türkçe)	Part Name (English)	Quantity
				<i>Engine Mounting</i>		
001	387036128001			BRAKET, MOTOR TAKOZU ON SOL	BRACKET, ENGINE MOUNT FRONT LEFT	1
002	387036159101			BRAKET, MOTOR TAKOZU ON SAG	BRACKET, ENGINE MOUNT FRONT RIGHT	1
003	300051230401			CIVATA, AKB M12X1. 75X30, KALIN D. DIN933	BOLT, HEX M12X1. 75X30, COARSE T. DIN933	6
004	301000012401			RONDELA	WASHER	6
005	387033538051			TAKOZ, DAIRESEL, MOTOR	MOUNT, CIRCULAR, ENGINE	2
006	300620012601			SOMUN, FLN M12X1. 75, KALIN D. DIN6923	NUT, FLN M12X1. 75, COARSE T. DIN6923	2
007	300021030401			CIVATA, AKB M10X1. 25X30, INCE D. DIN961	BOLT, HEX M10X1. 25X30, FINE T. DIN961	4
008	300630010601			SOMUN, FLN M10X1. 25, INCE D. DIN6923	NUT, FLN M10X1. 25, FINE T. DIN6923	4
009	387034896001			BRAKET, MOTOR ARKA	BRACKET, ENGINE REAR	2
010	300051630401			CIVATA, AKB M16X2X30, KALIN D. DIN933	BOLT, HEX M16X2X30, COARSE T. DIN933	8
011	301000016401			RONDELA, D16x3 DIN 125	WASHER	8
014	387035305001			CIVATA, M24x2x160 DIN 960	BOLT, M24x2x160 DIN 960	2
015	301000024401			PUL, S KAM MILI	WASHER, S CAMSHAFT	4
016	387035306101			SOMUN, M24x2 DIN 934	NUT, M24x2 DIN 934	2
017	387034897001			BRAKET, MOTOR ARKA GOVDE	BRACKET, ENGINE REAR BODY	2
018	300151040401			CIVATA, FLN M10X1. 25X40, INCE D. DIN6921	BOLT, FLN M10X1. 25X40, FINE T. DIN6921	8
019	300151430401			CIVATA, FLN M14X1. 5X30, INCE D. DIN6921	BOLT, FLN M14X1. 5X30, FINE T. DIN6921	8
020	387037907001			BRAKET, MOTOR, ON SAG	BRACKET, ENGINE, FRONT RIGHT	1
021	387037909001			BRAKET, MOTOR, ON SOL	BRACKET, ENGINE, FRONT LEFT	1
022	300051230401			CIVATA, AKB M12X1. 75X30, KALIN D. DIN933	BOLT, HEX M12X1. 75X30, COARSE T. DIN933	8
023	301000012401			RONDELA	WASHER	8
024	300500012401			SOMUN, AKB M12X1. 75, KALIN D. DIN934	NUT, HEX M12X1. 75, COARSE T. DIN934	8

Engine Mounting

Engine

0121

**0121****Engine****Engine Mounting**

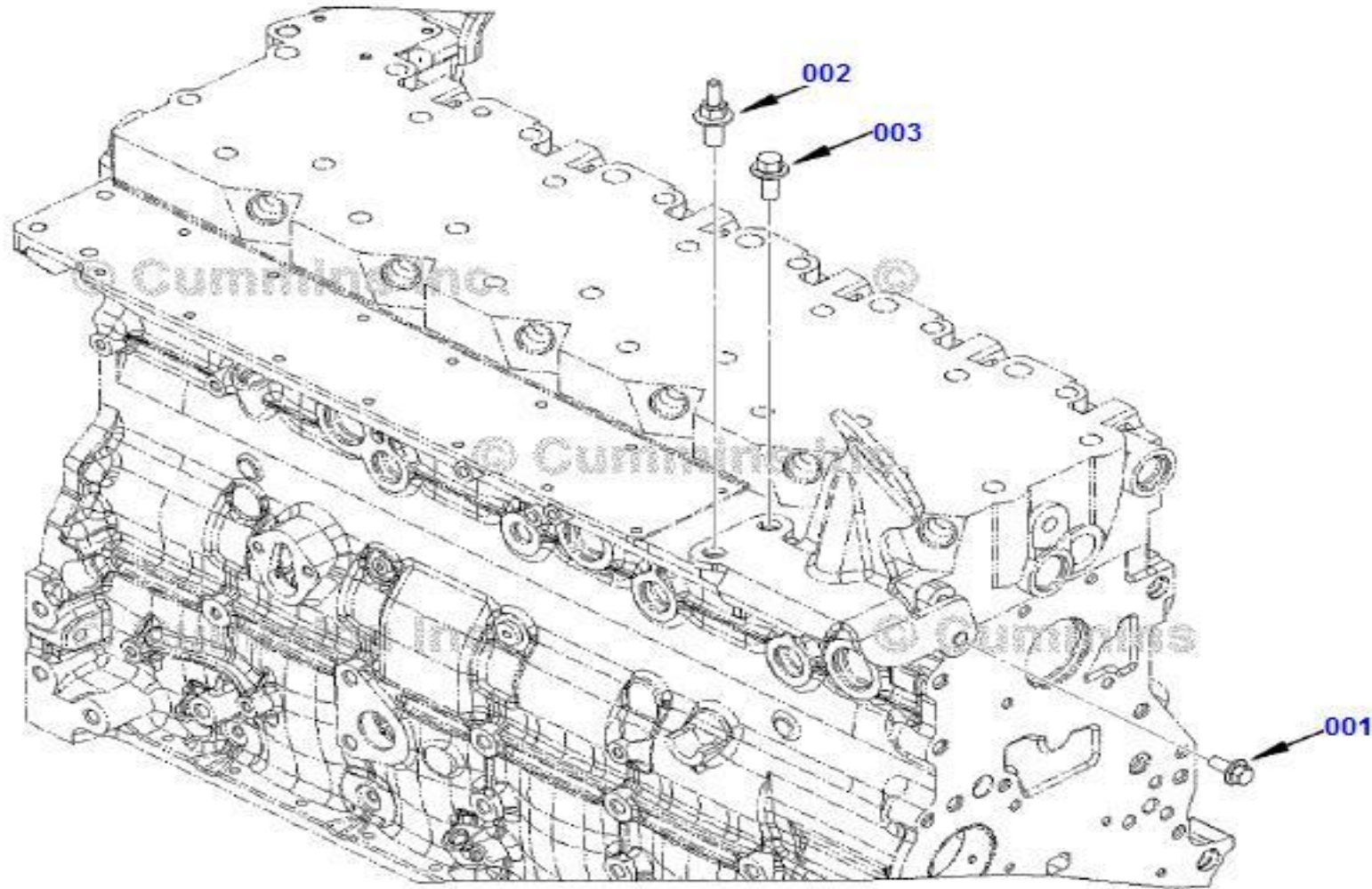
Picture No: EPL340220100-01

POZ	Part No	N.S.N	Code	Part Name (Türkçe)	Part Name (English)	Quantity
012	387034894051			<i>Engine Mounting</i> MOTOR TAKOZU, ARKA	MOUNTING	2
Engine Mounting				Engine		0121

0121

Engine

Engine Mounting



Picture No: LA954GV-00

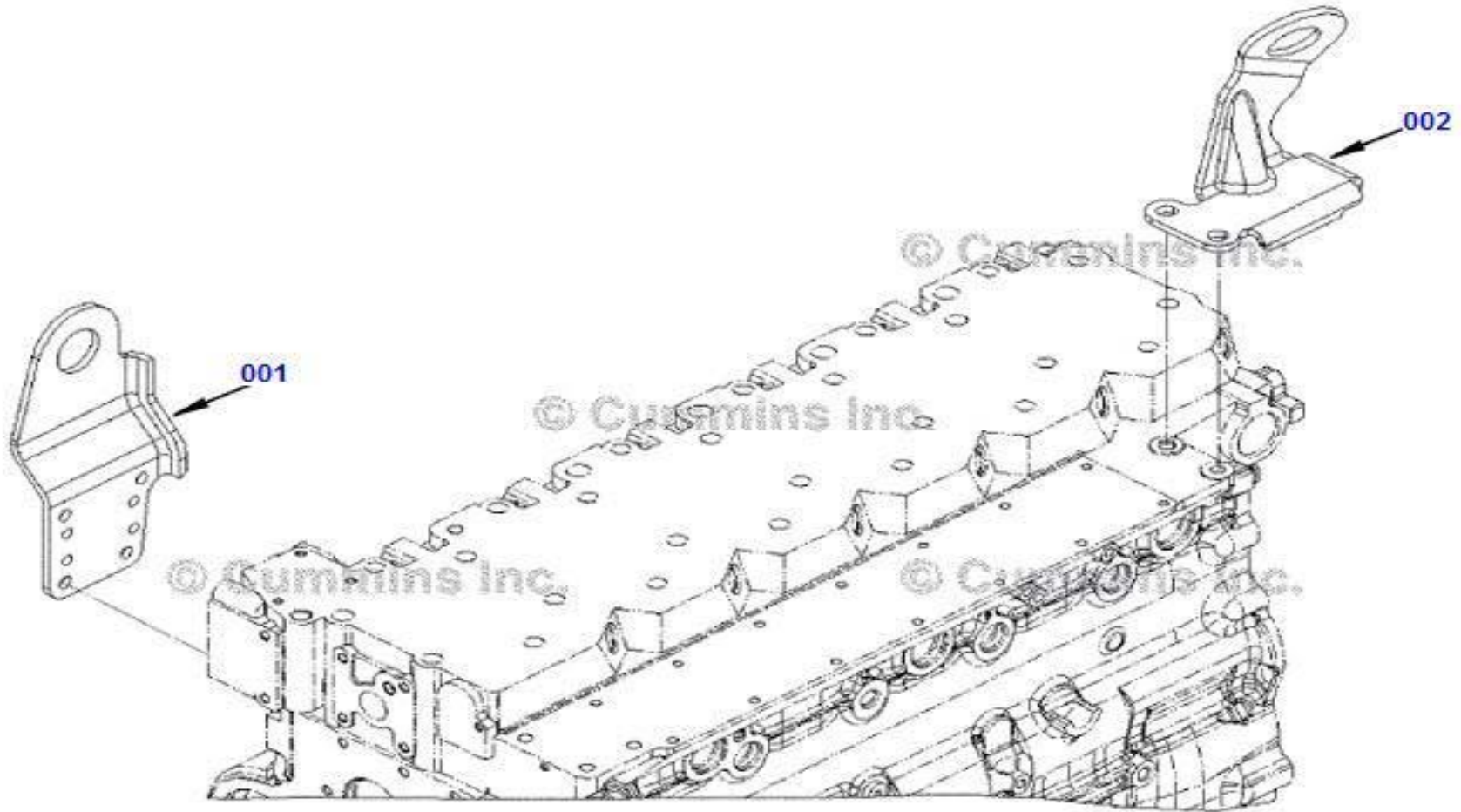
POZ	Part No	N.S.N	Code	Part Name (Türkçe)	Part Name (English)	Quantity
				<i>Engine Mounting</i>		
001	CM3903990			SCREW, HEX FLANGE HEAD CAP	SCREW, HEX FLANGE HEAD CAP	
002	CM3944061			SCREW, STUDDED FLANGE CAP	SCREW, STUDDED FLANGE CAP	
003	CM4940240			SCREW, HEX FLANGE HEAD CAP	SCREW, HEX FLANGE HEAD CAP	
Engine Mounting				Engine		0121



**0121**

**Engine**

**Engine Mounting**



Picture No: LA954GW-00

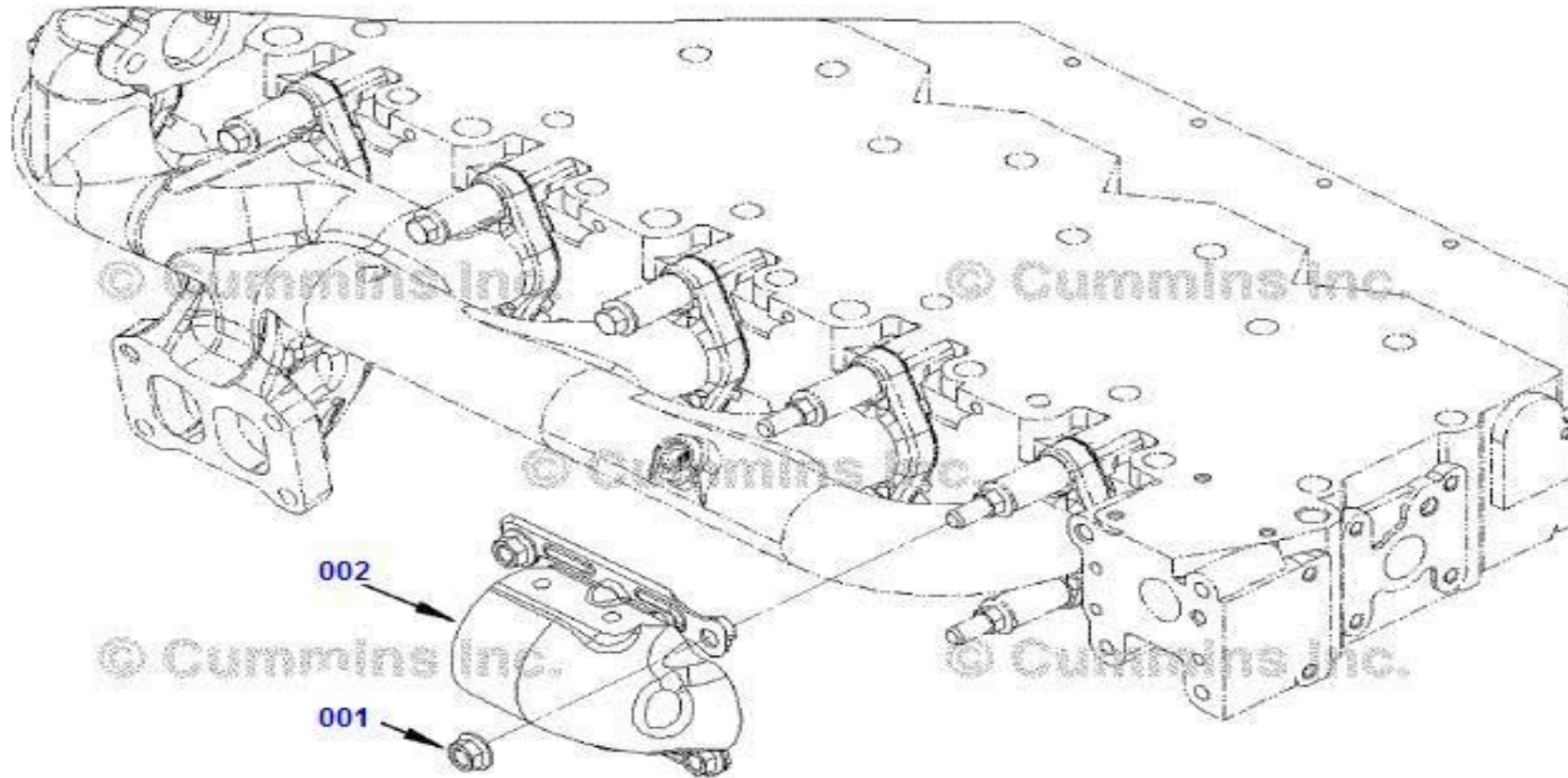
POZ	Part No	N.S.N	Code	Part Name (Türkçe)	Part Name (English)	Quantity
				<i>Engine Mounting</i>		
001	CM5288070			BRACKET, ENGINE LIFTING	BRACKET, ENGINE LIFTING	
002	CM5300932			BRACKET, ENGINE LIFTING	BRACKET, ENGINE LIFTING	
Engine Mounting				Engine		0121



**0121**

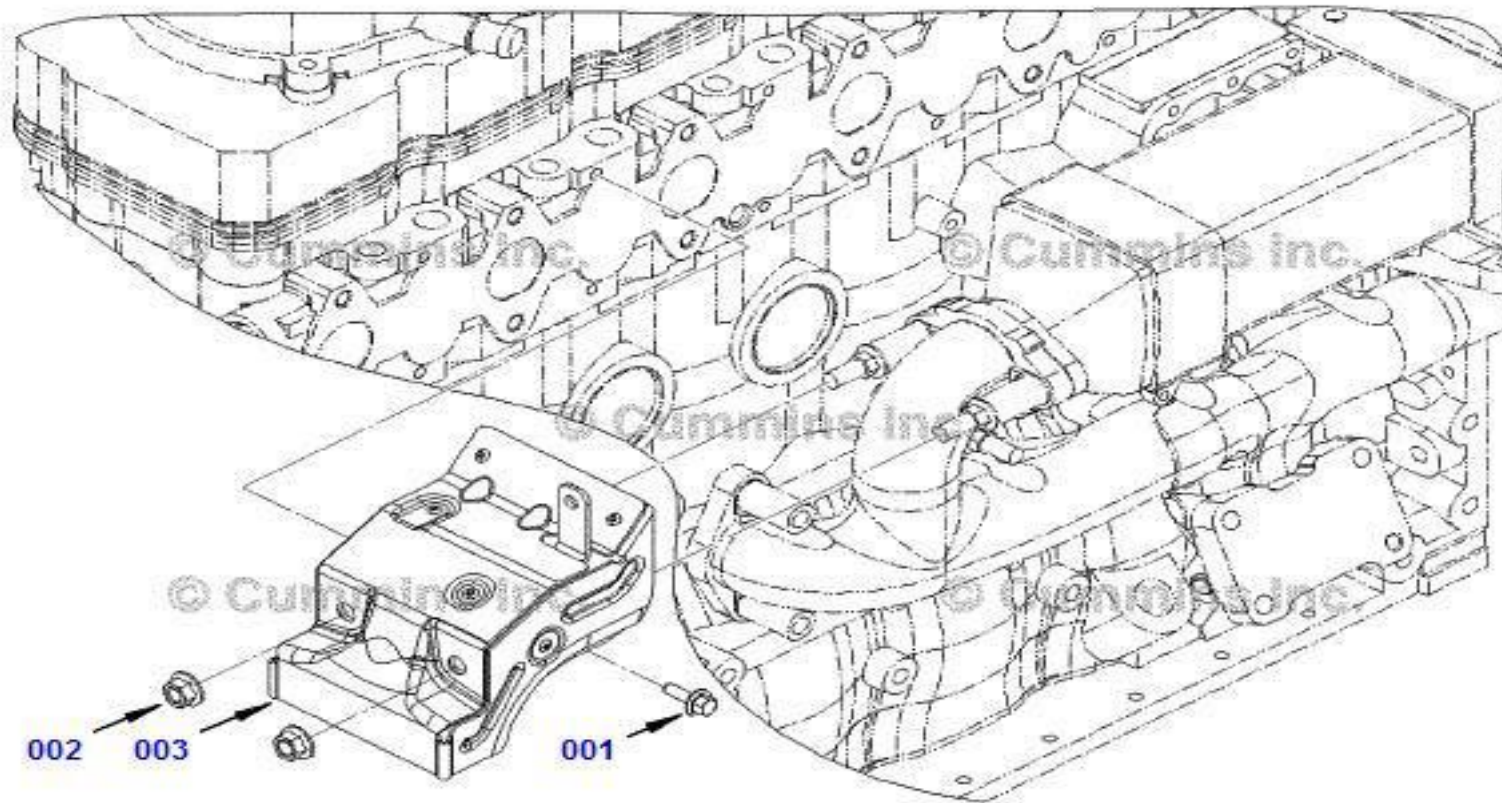
**Engine**

**Engine Mounting**



Picture No: SH953GM-00

POZ	Part No	N.S.N	Code	Part Name (Türkçe)	Part Name (English)	Quantity
				<i>Engine Mounting</i>		
001	CM3902662			NUT, HEXAGON FLANGE	NUT, HEXAGON FLANGE	
002	CM5301207			SHIELD, HEAT	SHIELD, HEAT	
Engine Mounting				Engine		0121

**0121****Engine****Engine Mounting**

Picture No: SH953GS-00

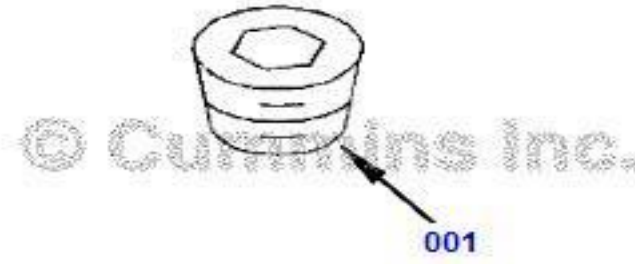


POZ	Part No	N.S.N	Code	Part Name (Türkçe)	Part Name (English)	Quantity
				<i>Engine Mounting</i>		
001	CM3900630			SCREW, HEX FLANGE HEAD CAP	SCREW, HEX FLANGE HEAD CAP	
002	CM3902662			NUT, HEXAGON FLANGE	NUT, HEXAGON FLANGE	
003	CM5301253			SHIELD, HEAT	SHIELD, HEAT	
Engine Mounting				Engine		0121

**0122**

**Engine**

**Inlet Manifold**



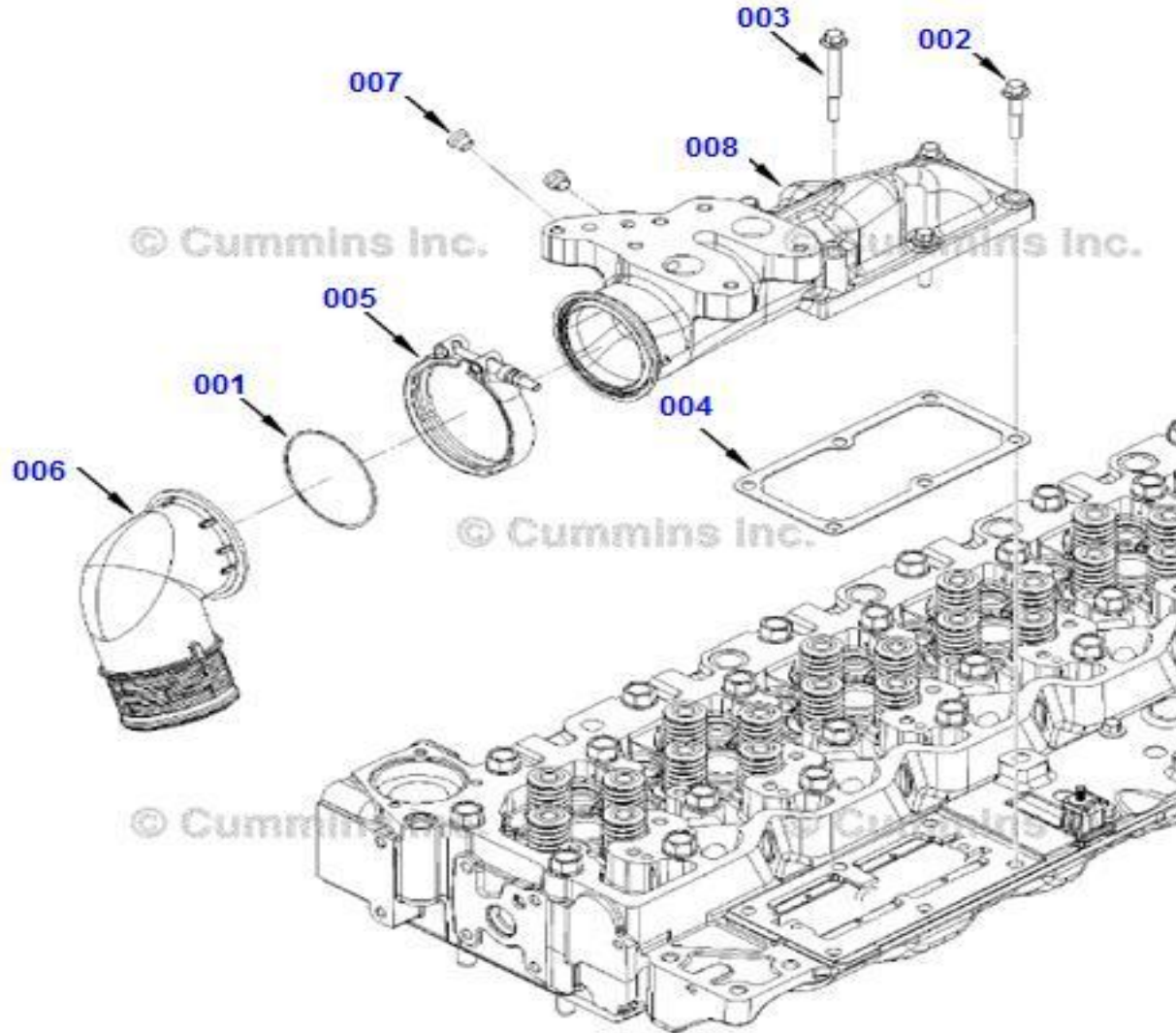
Picture No: CH950GE-00

POZ	Part No	N.S.N	Code	Part Name (Türkçe)	Part Name (English)	Quantity
001	CM3008469			<i>Inlet Manifold</i> PLUG, PIPE	PLUG, PIPE	
				<b>Inlet Manifold</b>	<b>Engine</b>	<b>0122</b>

**0122**

**Engine**

**Inlet Manifold**



Picture No: IC966GD-00

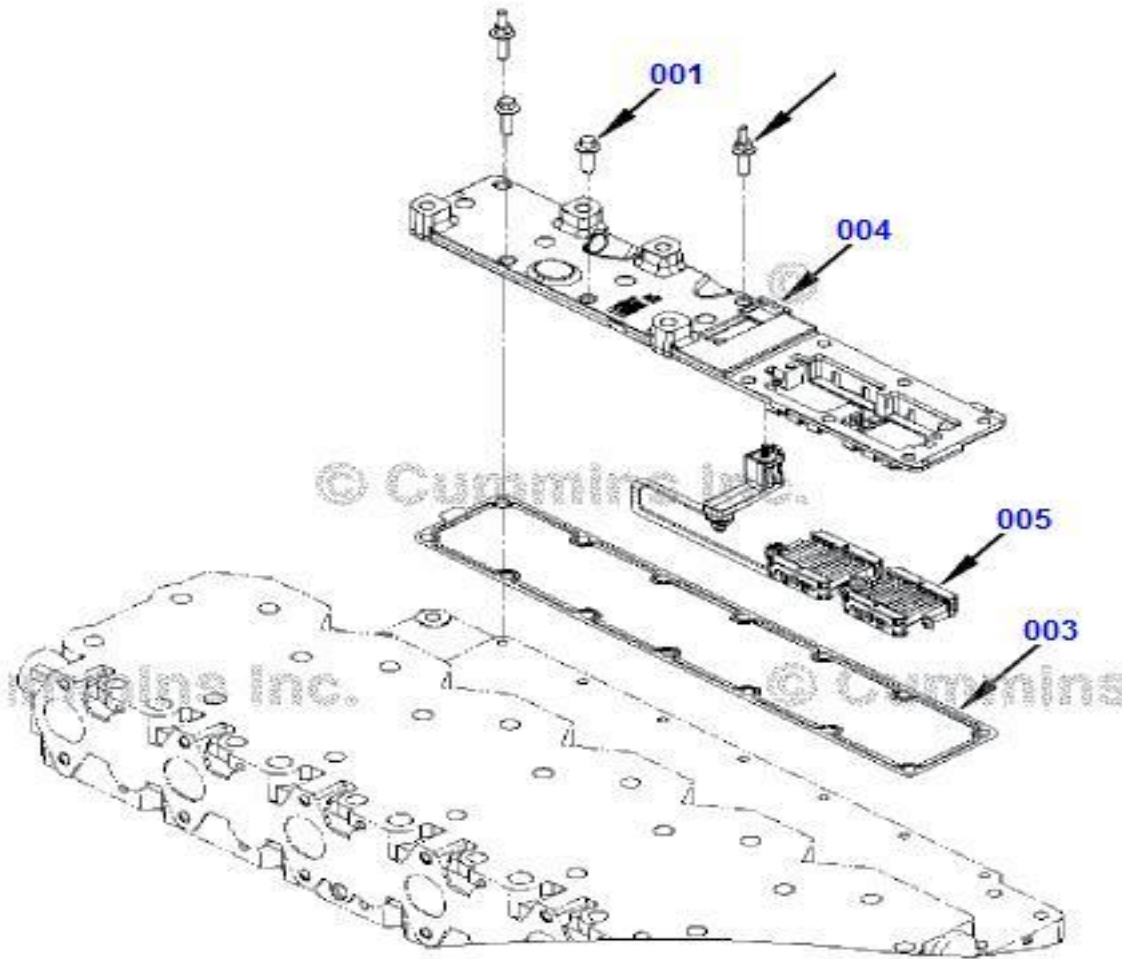
POZ	Part No	N.S.N	Code	Part Name (Türkçe)	Part Name (English)	Quantity
				<i>Inlet Manifold</i>		
000	CM5301852			CONNECTION, AIR INTAKE	CONNECTION, AIR INTAKE	
001	CM3867646			SEAL, O RING	SEAL, O RING	
002	CM3900678			SCREW, HEX FLANGE HEAD CAP	SCREW, HEX FLANGE HEAD CAP	
003	CM3903096			SCREW, HEX FLANGE HEAD CAP	SCREW, HEX FLANGE HEAD CAP	
004	CM3978072			GASKET, CONNECTION	GASKET, CONNECTION	
005	CM5269284			CLAMP, V BAND	CLAMP, V BAND	
006	CM5304191			PIPE, AIR TRANSFER	PIPE, AIR TRANSFER	
007	CM3977851			PLUG, THREADED	PLUG, THREADED	
008	CM5295268			CONNECTION, AIR INTAKE	CONNECTION, AIR INTAKE	

Inlet Manifold

Engine

0122



**0122****Engine****Inlet Manifold**

Picture No: IM905GL-00

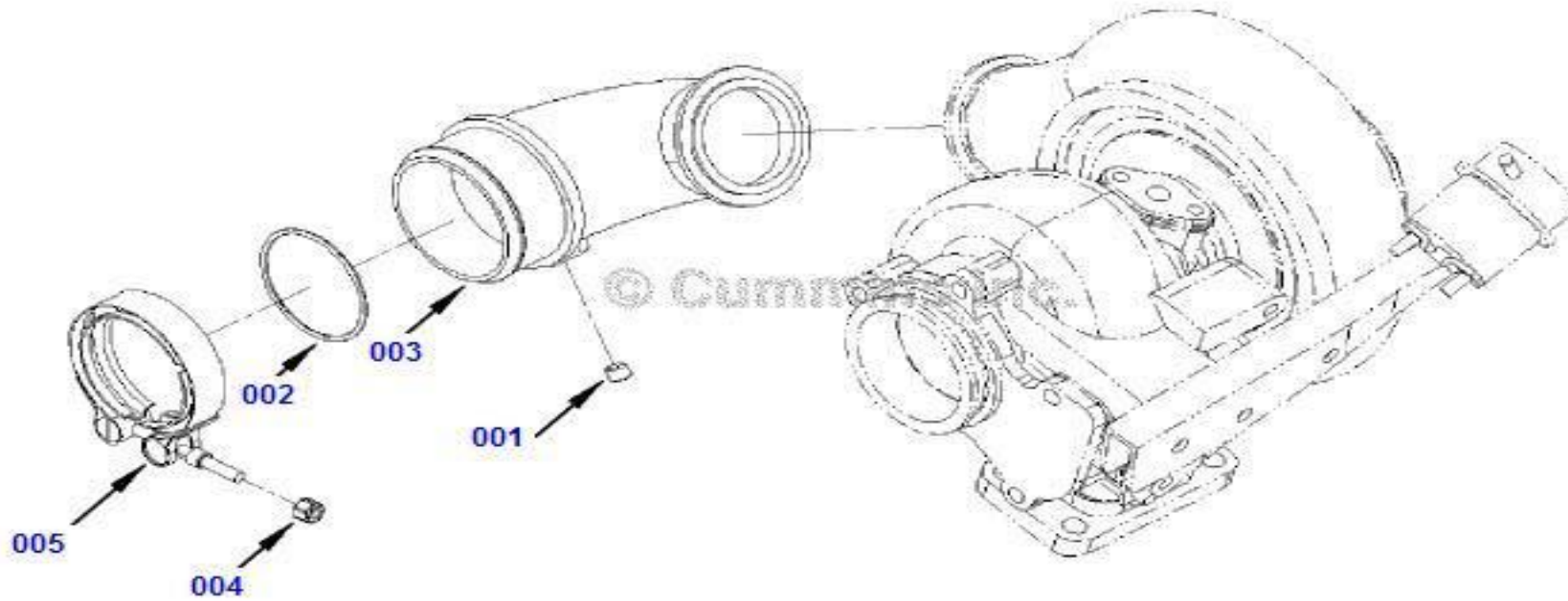


POZ	Part No	N.S.N	Code	Part Name (Türkçe)	Part Name (English)	Quantity
				<i>Inlet Manifold</i>		
000	CM5300573			COVER, INTAKE MANIFOLD	COVER, INTAKE MANIFOLD	
001	CM3918109			SCREW, HEX FLANGE HEAD CAP	SCREW, HEX FLANGE HEAD CAP	
003	CM3947530			GASKET, INT MANIFOLD COVER	GASKET, INT MANIFOLD COVER	
004	CM5301204			COVER, INTAKE MANIFOLD	COVER, INTAKE MANIFOLD	
005	CM5301206			HEATER, INTAKE AIR	HEATER, INTAKE AIR	

Inlet Manifold

Engine

0122

**0122****Engine****Inlet Manifold**

Picture No: IT950GA-00



POZ	Part No	N.S.N	Code	Part Name (Türkçe)	Part Name (English)	Quantity
				<i>Inlet Manifold</i>		
001	CM3008465			PLUG, PIPE	PLUG, PIPE	
002	CM3883284			SEAL, O RING	SEAL, O RING	
003	CM3918685			PIPE, AIR TRANSFER	PIPE, AIR TRANSFER	
004	CM3923041			NUT, LOCK	NUT, LOCK	
005	CM3069053			CLAMP, V BAND	CLAMP, V BAND	

Inlet Manifold

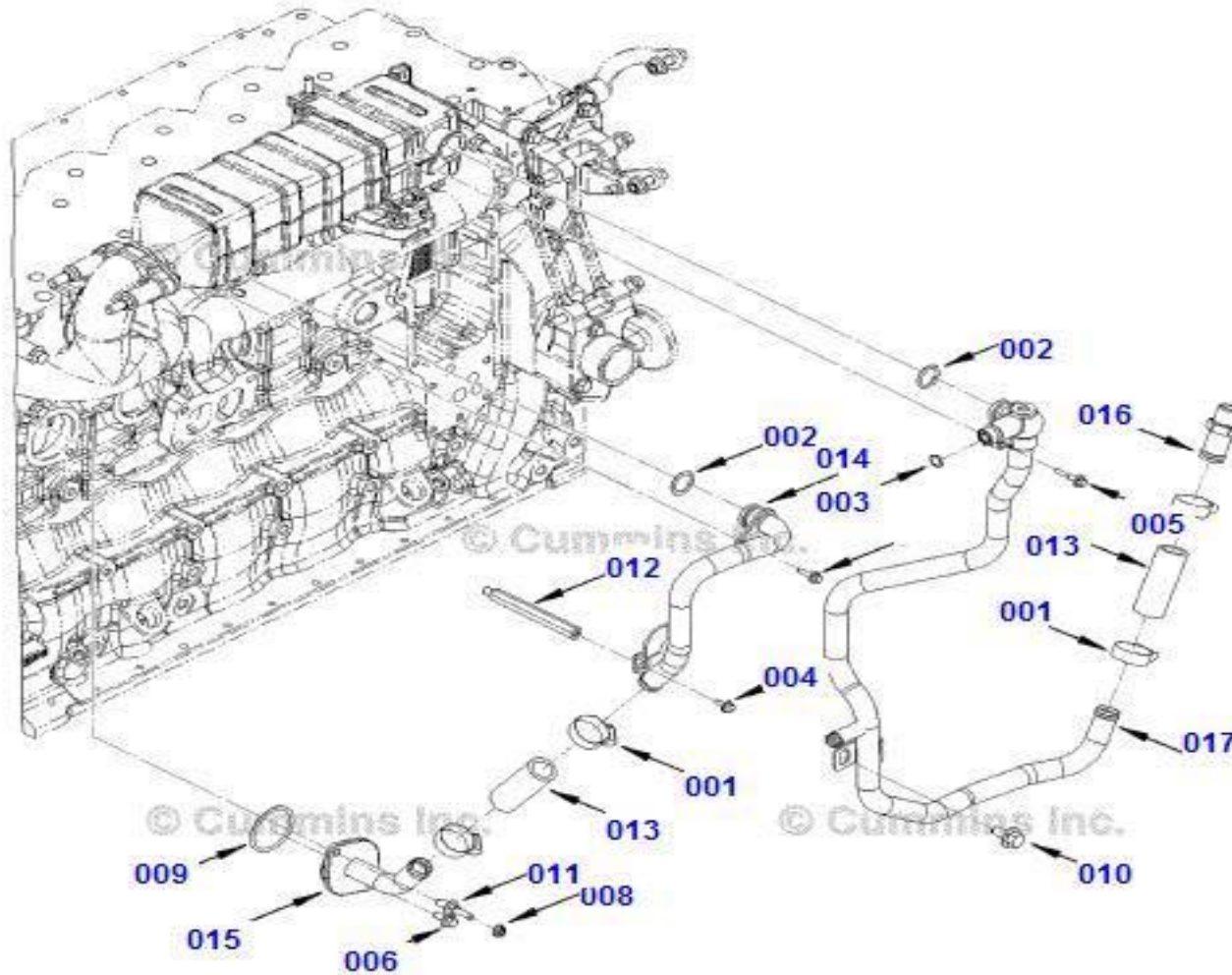
Engine

0122

**0123**

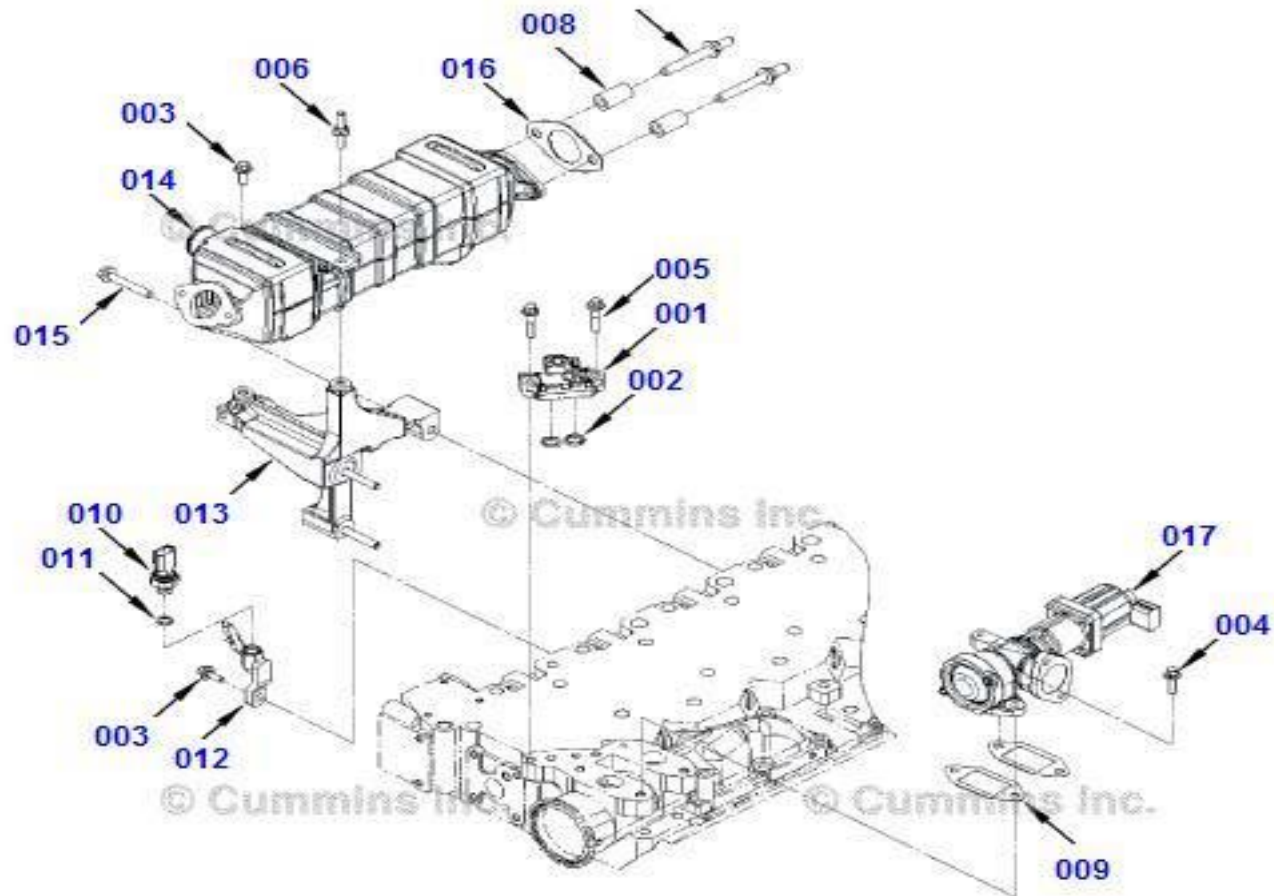
**Engine**

**Exhaust Manifold**



Picture No: ER906GM-00

POZ	Part No	N.S.N	Code	Part Name (Türkçe)	Part Name (English)	Quantity
				<i>Exhaust Manifold</i>		
001	CM3010550			CLAMP, HOSE	CLAMP, HOSE	
002	CM3058653			SEAL, O RING	SEAL, O RING	
003	CM3627695			SEAL, O RING	SEAL, O RING	
004	CM3900627			SCREW, HEX FLANGE HEAD CAP	SCREW, HEX FLANGE HEAD CAP	
005	CM3900628			SCREW, HEX FLANGE HEAD CAP	SCREW, HEX FLANGE HEAD CAP	
006	CM3900629			SCREW, HEX FLANGE HEAD CAP	SCREW, HEX FLANGE HEAD CAP	
007	CM3901865			SCREW, HEX FLANGE HEAD CAP	SCREW, HEX FLANGE HEAD CAP	
008	CM3906216			NUT, HEXAGON FLANGE	NUT, HEXAGON FLANGE	
009	CM3910517			SEAL, O RING	SEAL, O RING	
010	CM3913372			SCREW, HEX FLANGE HEAD CAP	SCREW, HEX FLANGE HEAD CAP	
011	CM3921816			SCREW, STUDDED FLANGE CAP	SCREW, STUDDED FLANGE CAP	
012	CM5254305			SCREW, HEXAGON HEAD CAP	SCREW, HEXAGON HEAD CAP	
013	CM5272790			HOSE, PLAIN	HOSE, PLAIN	
014	CM5283755			TUBE, EXH CLR WATER INLET	TUBE, EXH CLR WATER INLET	
015	CM5283760			TUBE, EXH CLR WATER INLET	TUBE, EXH CLR WATER INLET	
016	CM5291950			COUPLING, PLAIN HOSE	COUPLING, PLAIN HOSE	
017	CM5304163			TUBE, EXH CLR WATER OUTLET	TUBE, EXH CLR WATER OUTLET	
<b>Exhaust Manifold</b>				<b>Engine</b>		<b>0123</b>

**0123****Engine****Exhaust Manifold**

Picture No: ER911GH-00

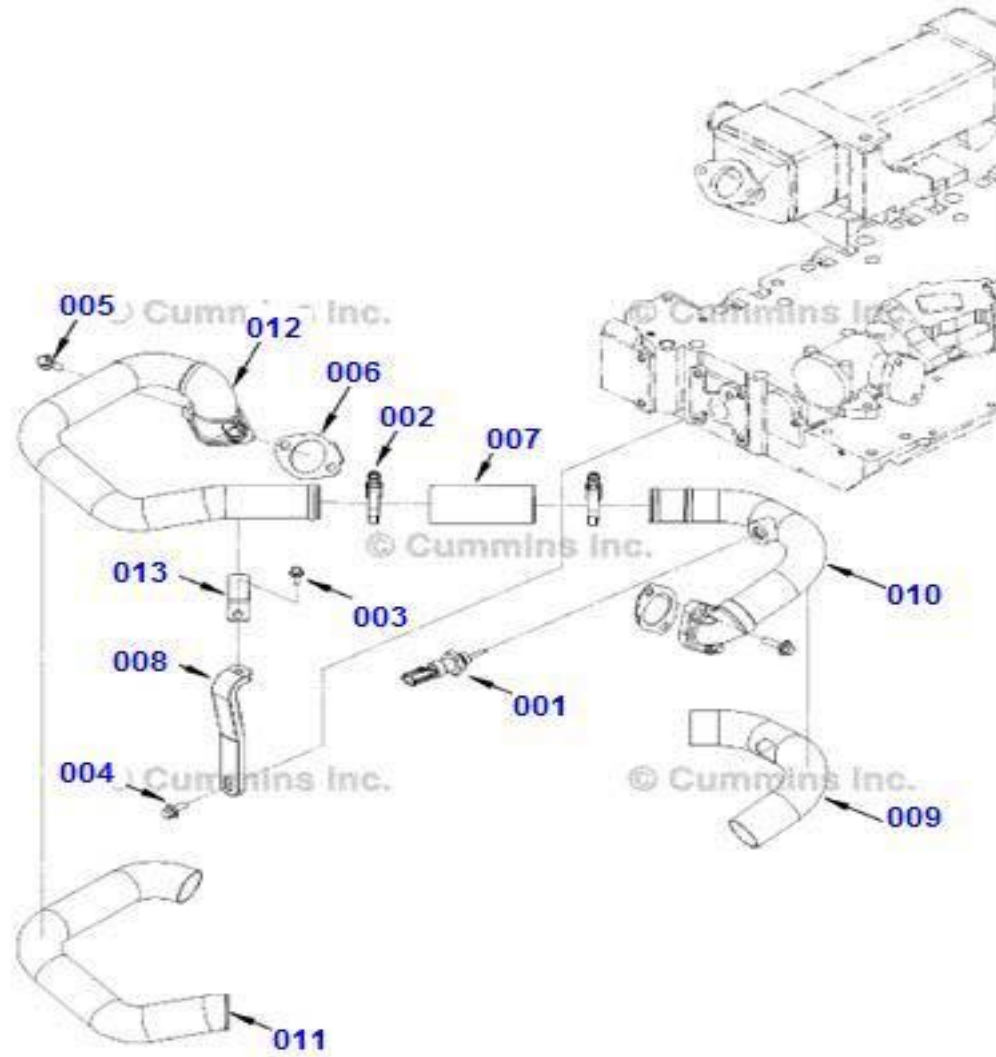
POZ	Part No	N.S.N	Code	Part Name (Türkçe)	Part Name (English)	Quantity
				<i>Exhaust Manifold</i>		
000	CM2881692			KIT, EGR COOLER	KIT, EGR COOLER	
000	CM2881693			KIT, EGR VALVE	KIT, EGR VALVE	
001	CM2872424			SENSOR, DFN PRESSURE	SENSOR, DFN PRESSURE	
002	CM4076823			SEAL, RECTANGULAR RING	SEAL, RECTANGULAR RING	
003	CM3900630			SCREW, HEX FLANGE HEAD CAP	SCREW, HEX FLANGE HEAD CAP	
004	CM3900631			SCREW, HEX FLANGE HEAD CAP	SCREW, HEX FLANGE HEAD CAP	
005	CM3900632			SCREW, HEX FLANGE HEAD CAP	SCREW, HEX FLANGE HEAD CAP	
006	CM3941976			SCREW, STUDED FLANGE CAP	SCREW, STUDED FLANGE CAP	
008	CM3945252			SPACER, MOUNTING	SPACER, MOUNTING	
009	CM3979769			GASKET, EXH GAS RCN VALVE	GASKET, EXH GAS RCN VALVE	
010	CM4928594			SENSOR, PRESSURE	SENSOR, PRESSURE	
011	CM4010519			SEAL, O RING	SEAL, O RING	
012	CM4983620			TUBE, PRESSURE SENSING	TUBE, PRESSURE SENSING	
013	CM4993632			SUPPORT, EXH GAS RCN MDL	SUPPORT, EXH GAS RCN MDL	
014	CM5254314			COOLER, EXH GAS RCN	COOLER, EXH GAS RCN	
015	CM5255716			SCREW, CAPTIVE WASHER CAP	SCREW, CAPTIVE WASHER CAP	
016	CM5266422			GASKET, EXHAUST MANIFOLD	GASKET, EXHAUST MANIFOLD	
017	CM5271307			VALVE, EXH GAS RCN	VALVE, EXH GAS RCN	

Exhaust Manifold

Engine

0123



**0123****Engine****Exhaust Manifold**

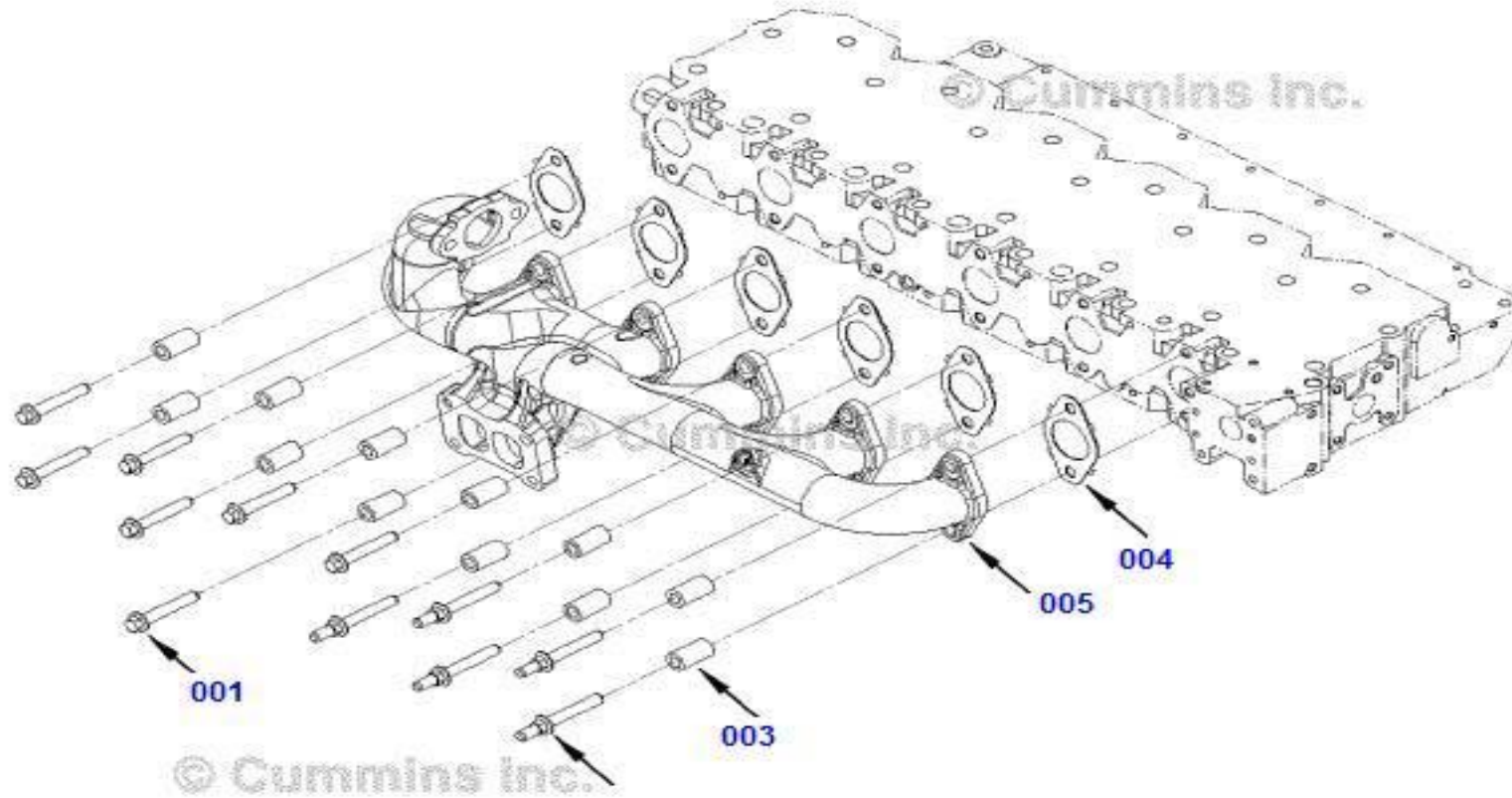
Picture No: ER911GX-00

POZ	Part No	N.S.N	Code	Part Name (Türkçe)	Part Name (English)	Quantity
				<i>Exhaust Manifold</i>		
000	CM5287891			TUBE, AIR TRANSFER	TUBE, AIR TRANSFER	
000	CM5295158			TUBE, AIR TRANSFER	TUBE, AIR TRANSFER	
001	CM2872858			SENSOR, TEMPERATURE	SENSOR, TEMPERATURE	
002	CM3104485			CLAMP, SPRING HOSE	CLAMP, SPRING HOSE	
003	CM3900627			SCREW, HEX FLANGE HEAD CAP	SCREW, HEX FLANGE HEAD CAP	
004	CM3900630			SCREW, HEX FLANGE HEAD CAP	SCREW, HEX FLANGE HEAD CAP	
005	CM3900631			SCREW, HEX FLANGE HEAD CAP	SCREW, HEX FLANGE HEAD CAP	
006	CM4932615			GASKET, CONNECTION	GASKET, CONNECTION	
007	CM5270057			HOSE, PLAIN	HOSE, PLAIN	
008	CM5295153			BRACE, TUBE	BRACE, TUBE	
009	CM5287892			INSULATION, TUBE	INSULATION, TUBE	
010	CM5287893			TUBE, AIR TRANSFER	TUBE, AIR TRANSFER	
011	CM5287902			INSULATION, TUBE	INSULATION, TUBE	
012	CM5295159			TUBE, AIR TRANSFER	TUBE, AIR TRANSFER	
013	CM4990321			CLAMP, TUBE	CLAMP, TUBE	
<b>Exhaust Manifold</b>				<b>Engine</b>		<b>0123</b>

**0123**

**Engine**

**Exhaust Manifold**



Picture No: TB984GJ-00

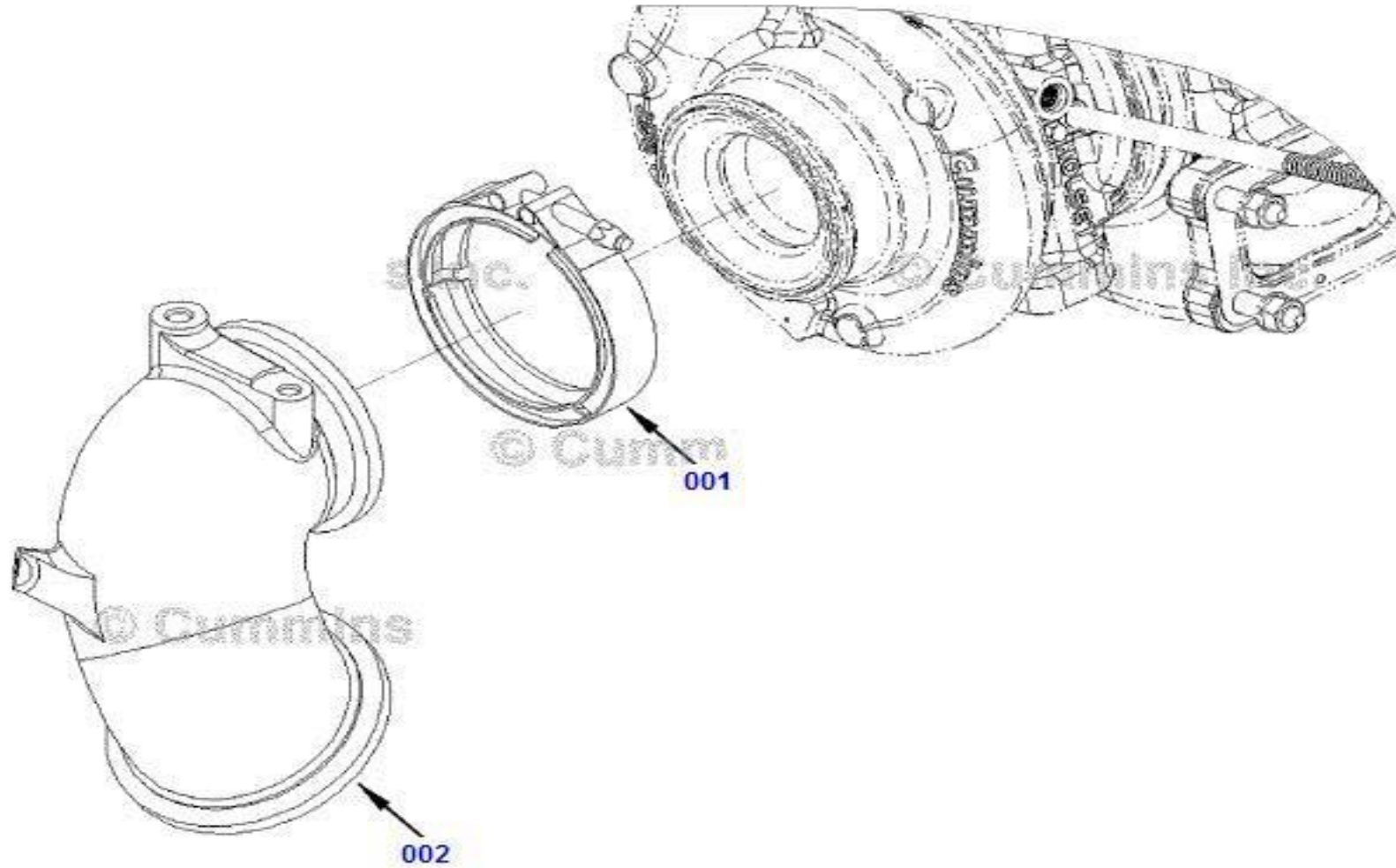


POZ	Part No	N.S.N	Code	Part Name (Türkçe)	Part Name (English)	Quantity
				<i>Exhaust Manifold</i>		
001	CM3944593			SCREW, HEX FLANGE HEAD CAP	SCREW, HEX FLANGE HEAD CAP	
003	CM3945252			SPACER, MOUNTING	SPACER, MOUNTING	
004	CM5266422			GASKET, EXHAUST MANIFOLD	GASKET, EXHAUST MANIFOLD	
005	CM5293077			MANIFOLD, EXHAUST	MANIFOLD, EXHAUST	
Exhaust Manifold				Engine		0123

**0123**

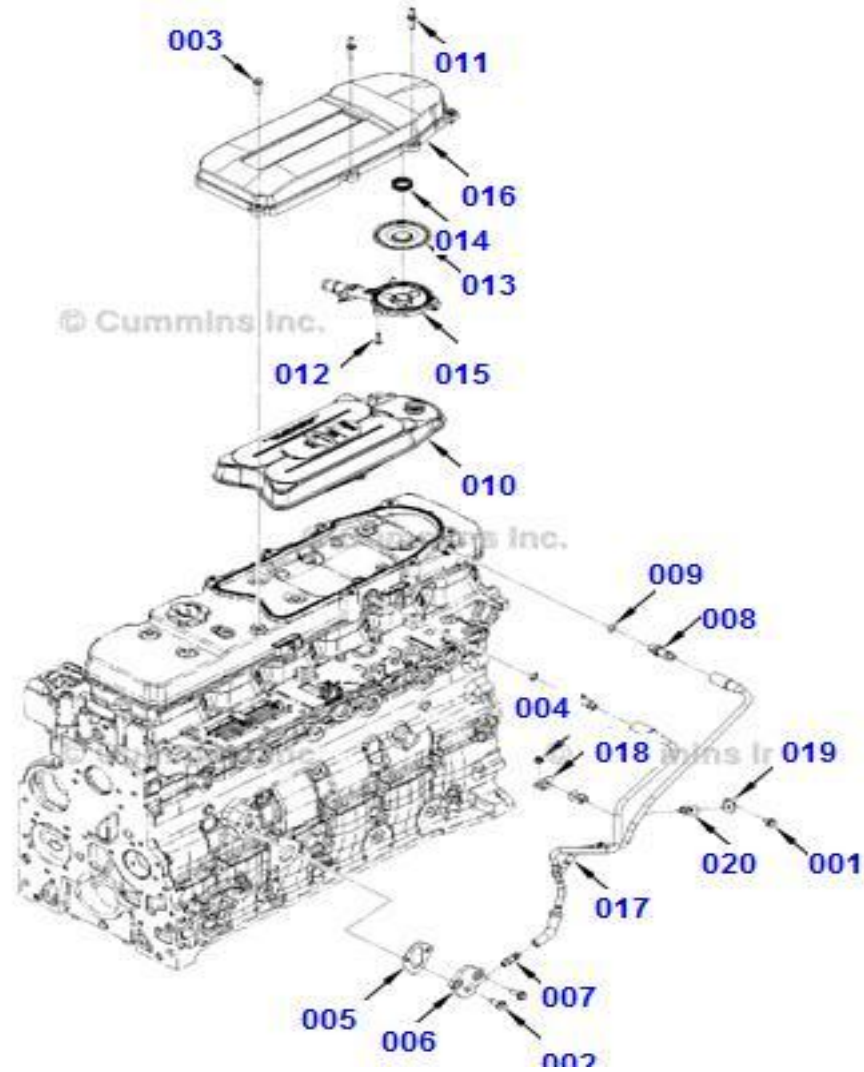
**Engine**

**Exhaust Manifold**



Picture No: XS961GJ-00

POZ	Part No	N.S.N	Code	Part Name (Türkçe)	Part Name (English)	Quantity
				<i>Exhaust Manifold</i>		
001	CM102408			CLAMP, V BAND	CLAMP, V BAND	
002	CM5295271			CONNECTION, EXHAUST OUTLET	CONNECTION, EXHAUST OUTLET	
Exhaust Manifold				Engine		0123

**0124****Engine****Ventilation System**

Picture No: BR963GF-00

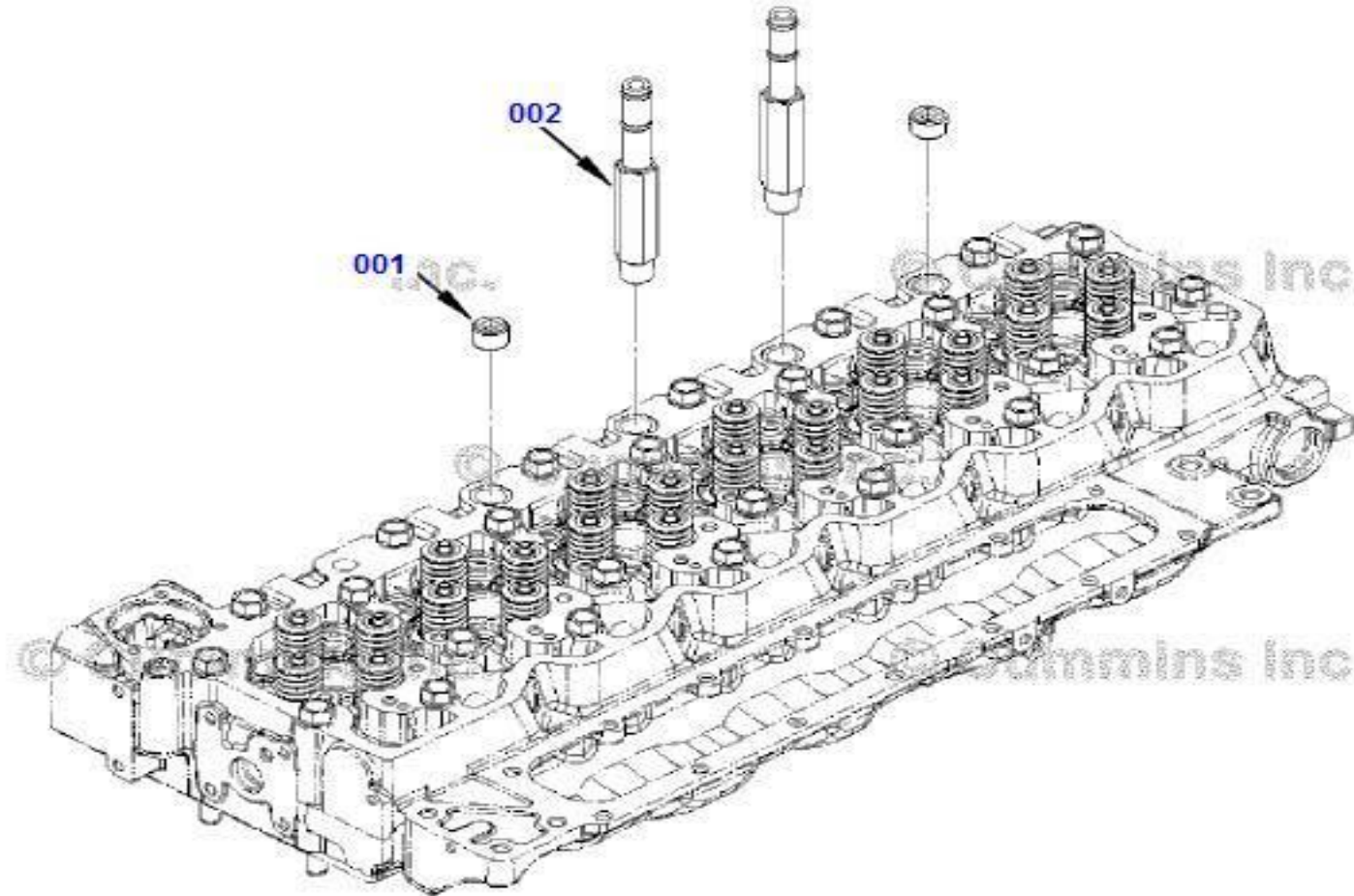
POZ	Part No	N.S.N	Code	Part Name (Türkçe)	Part Name (English)	Quantity
				<i>Ventilation System</i>		
000	CM5284307			COVER, BREATHER	COVER, BREATHER	
001	CM3093956			SCREW, HEX FLANGE HEAD CAP	SCREW, HEX FLANGE HEAD CAP	
002	CM3900630			SCREW, HEX FLANGE HEAD CAP	SCREW, HEX FLANGE HEAD CAP	
003	CM3902023			SCREW, HEX FLANGE HEAD CAP	SCREW, HEX FLANGE HEAD CAP	
004	CM3906216			NUT, HEXAGON FLANGE	NUT, HEXAGON FLANGE	
005	CM3939258			GASKET, COVER PLATE	GASKET, COVER PLATE	
006	CM4931725			COVER, ACCESS HOLE	COVER, ACCESS HOLE	
007	CM4932701			COUPLING, PLAIN HOSE	COUPLING, PLAIN HOSE	
008	CM4934496			COUPLING, PLAIN HOSE	COUPLING, PLAIN HOSE	
009	CM4936171			SEAL, O RING	SEAL, O RING	
010	CM4936636			ELEMENT, BREATHER	ELEMENT, BREATHER	
011	CM4938699			SCREW, STUDED FLANGE CAP	SCREW, STUDED FLANGE CAP	
012	CM3975948			SCREW, PAN HEAD CAP	SCREW, PAN HEAD CAP	
013	CM4931260			DIAPHRAGM	DIAPHRAGM	
014	CM4931261			SPRING, COMPRESSION	SPRING, COMPRESSION	
015	CM4940281			HOUSING, BREATHER	HOUSING, BREATHER	
016	CM5284304			COVER, BREATHER	COVER, BREATHER	
017	CM5292368			TUBE, LUB OIL DRAIN	TUBE, LUB OIL DRAIN	
018	CM5292373			BRACKET, OIL TUBE	BRACKET, OIL TUBE	
019	CM5292374			BRACKET, OIL TUBE	BRACKET, OIL TUBE	
020	CM5292375			CLIP	CLIP	
<b>Ventilation System</b>				<b>Engine</b>		<b>0124</b>



**0124**

**Engine**

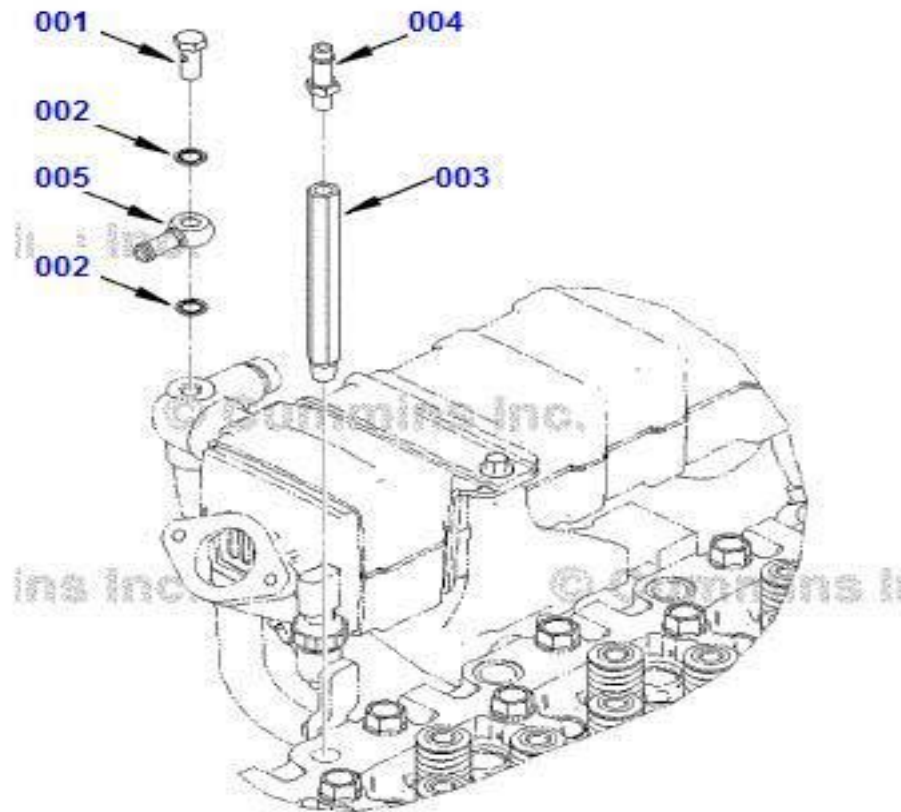
**Ventilation System**



**h**

Picture No: HC903GS-00

POZ	Part No	N.S.N	Code	Part Name (Türkçe)	Part Name (English)	Quantity
				<i>Ventilation System</i>		
001	CM4931643			PLUG, PIPE	PLUG, PIPE	
002	CM5301456			COUPLING, PLAIN HOSE	COUPLING, PLAIN HOSE	
Ventilation System				Engine		0124

**0124****Engine****Ventilation System**

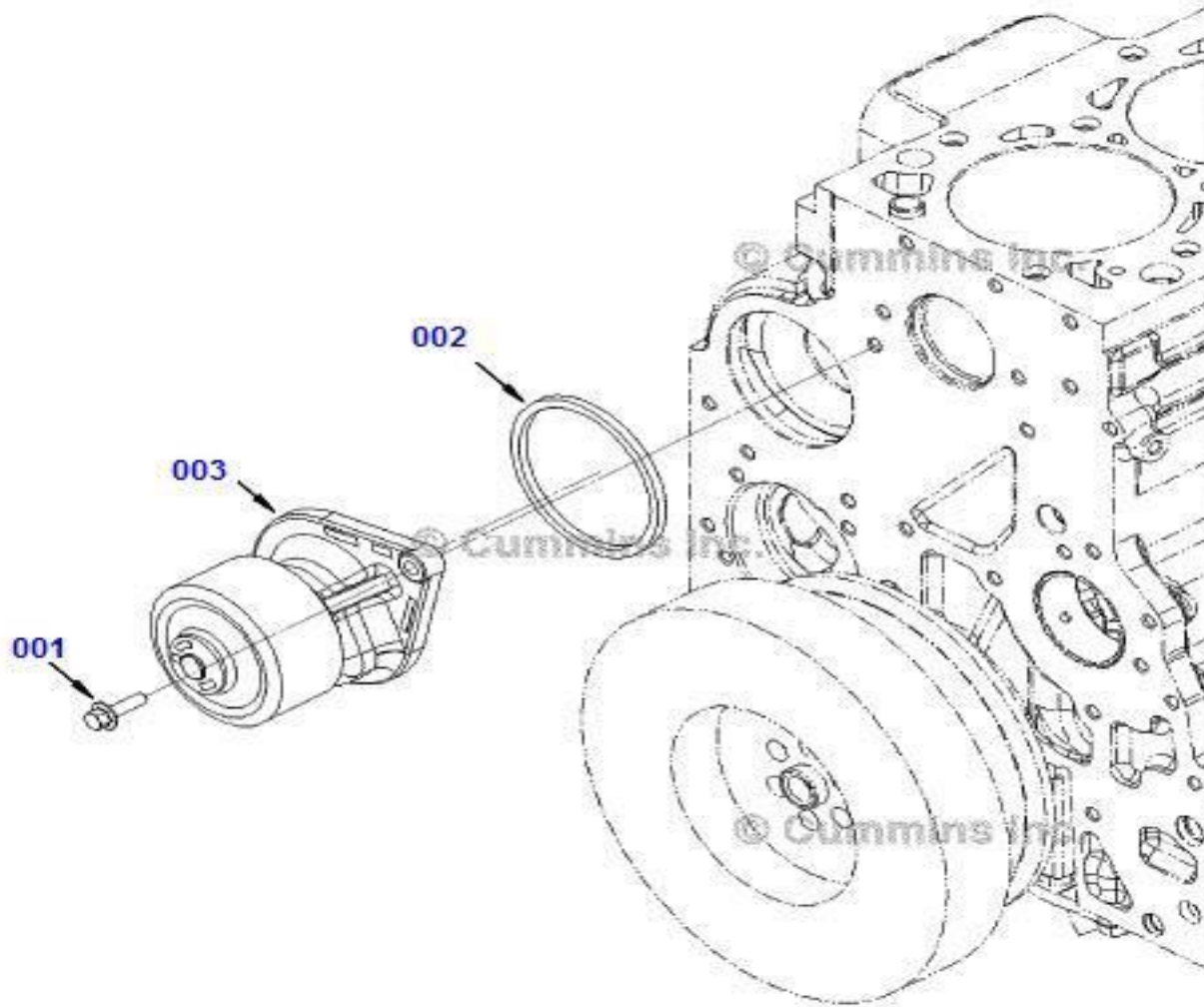
Picture No: RP953GQ-00

POZ	Part No	N.S.N	Code	Part Name (Türkçe)	Part Name (English)	Quantity
				<i>Ventilation System</i>		
001	CM3957942			SCREW, BANJO CONNECTOR	SCREW, BANJO CONNECTOR	
002	CM4934278			WASHER, SEALING	WASHER, SEALING	
003	CM4992220			ADAPTER, REDUCING PIPE	ADAPTER, REDUCING PIPE	
004	CM5298148			COUPLING, PLAIN HOSE	COUPLING, PLAIN HOSE	
005	CM5298149			CONNECTOR, BANJO	CONNECTOR, BANJO	
<b>Ventilation System</b>				<b>Engine</b>		<b>0124</b>

**0125**

**Engine**

**Water Pump**



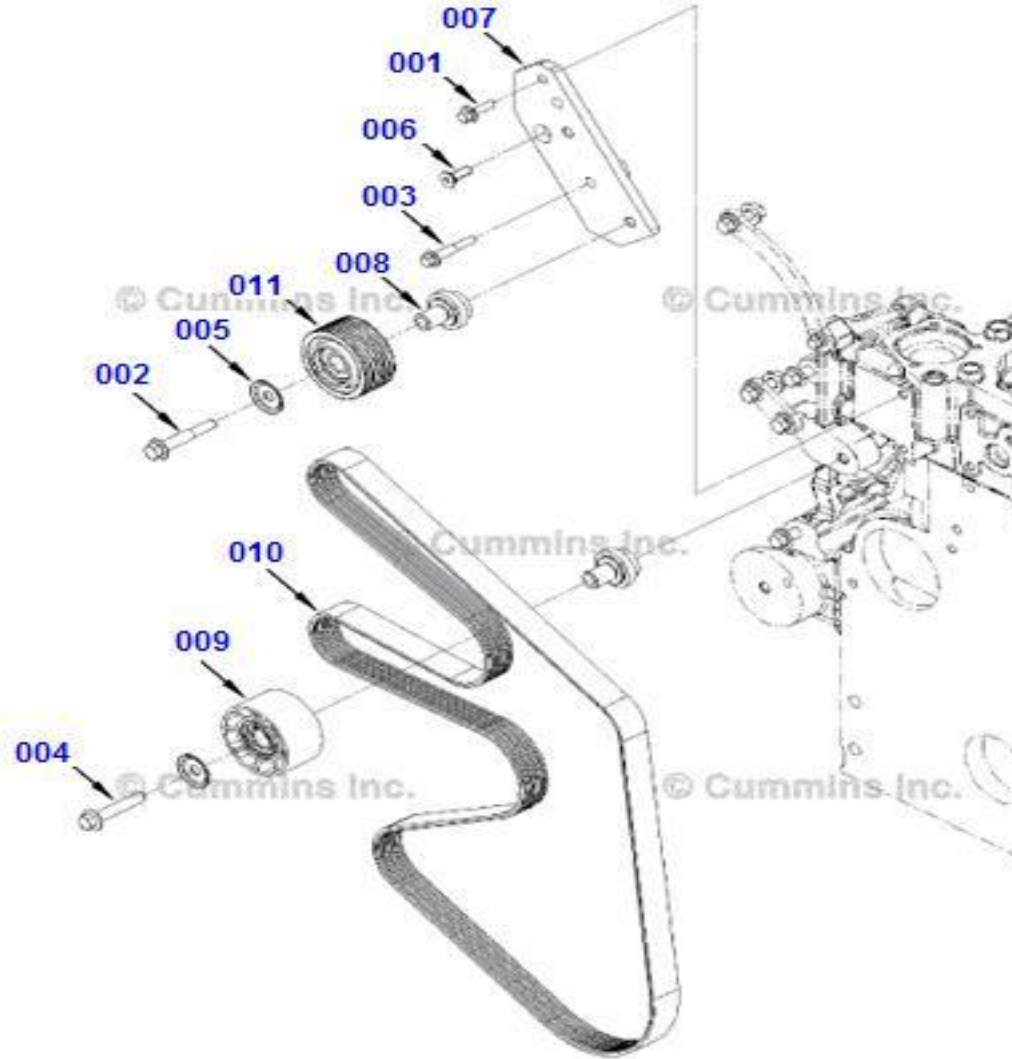
Picture No: WP952GA-00

POZ	Part No	N.S.N	Code	Part Name (Türkçe)	Part Name (English)	Quantity
				<i>Water Pump</i>		
000	CM4309448			KIT, WATER PUMP	KIT, WATER PUMP	
001	CM3093730			SCREW, HEX FLANGE HEAD CAP	SCREW, HEX FLANGE HEAD CAP	
002	CM3906698			SEAL, RECTANGULAR RING	SEAL, RECTANGULAR RING	
003	CM5301688			PUMP, WATER	PUMP, WATER	
<b>Water Pump</b>				<b>Engine</b>		<b>0125</b>

**0125**

**Engine**

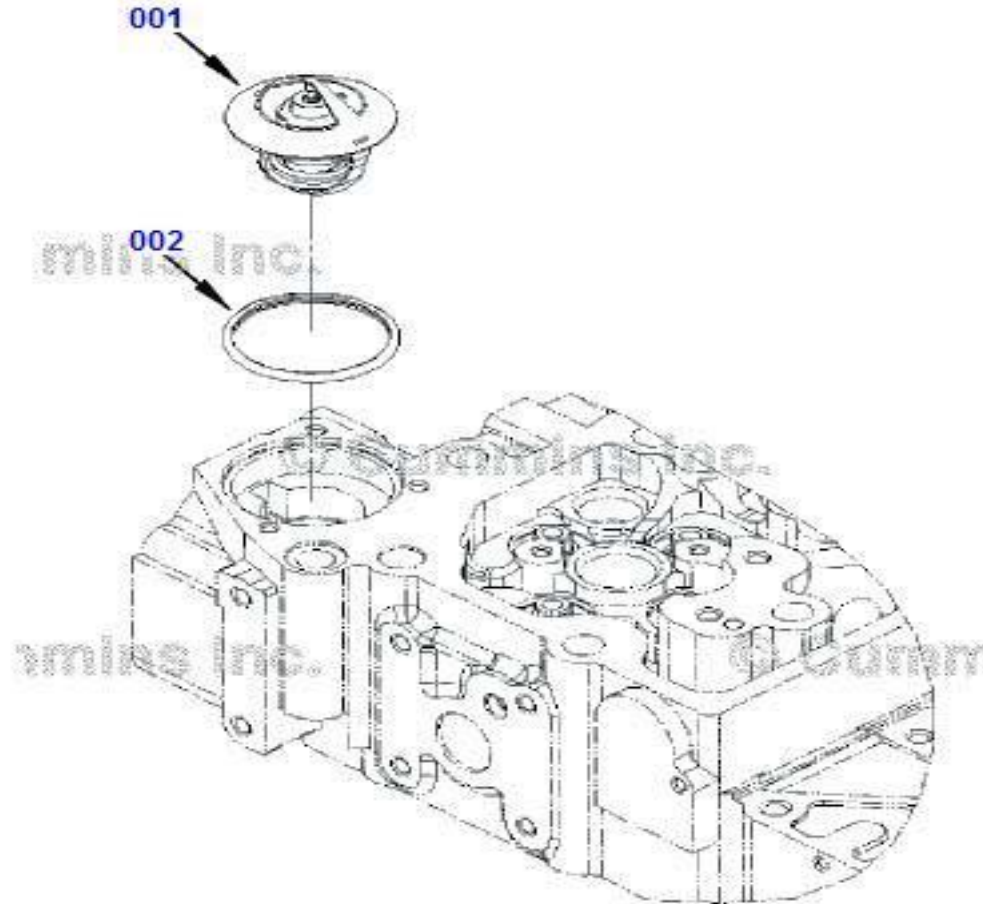
**Water Pump**



Picture No: WP957GN-00

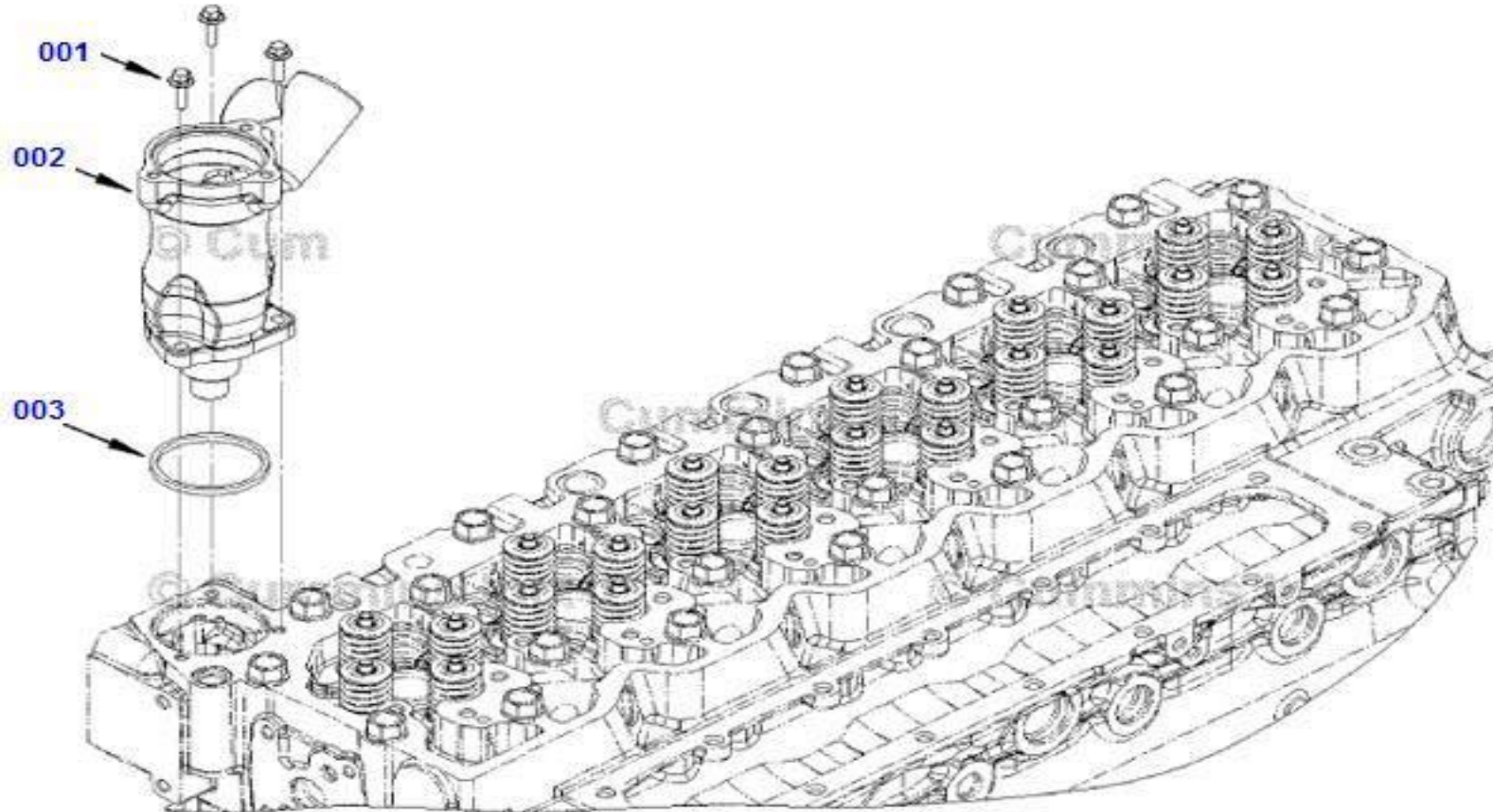
POZ	Part No	N.S.N	Code	Part Name (Türkçe)	Part Name (English)	Quantity
				<i>Water Pump</i>		
001	CM3900631			SCREW, HEX FLANGE HEAD CAP	SCREW, HEX FLANGE HEAD CAP	
002	CM3900635			SCREW, HEX FLANGE HEAD CAP	SCREW, HEX FLANGE HEAD CAP	
003	CM3901445			SCREW, HEX FLANGE HEAD CAP	SCREW, HEX FLANGE HEAD CAP	
004	CM3910901			SCREW, HEX FLANGE HEAD CAP	SCREW, HEX FLANGE HEAD CAP	
005	CM3921533			SHIELD, DUST	SHIELD, DUST	
006	CM3925186			SCREW, FLAT HEAD CAP	SCREW, FLAT HEAD CAP	
007	CM3926056			BRACKET, BELT TENSIONER	BRACKET, BELT TENSIONER	
008	CM3935229			SHAFT, IDLER	SHAFT, IDLER	
009	CM3978324			PULLEY, IDLER	PULLEY, IDLER	
010	CM4941303			BELT, V RIBBED	BELT, V RIBBED	
011	CM4991240			PULLEY, IDLER	PULLEY, IDLER	
<b>Water Pump</b>				<b>Engine</b>		<b>0125</b>



**0126****Engine****Thermostat & Housing**

Picture No: EC900ZF-00

POZ	Part No	N.S.N	Code	Part Name (Türkçe)	Part Name (English)	Quantity
				<i>Thermostat &amp; Housing</i>		
000	CM5292708			THERMOSTAT	THERMOSTAT	
001	CM5292707			THERMOSTAT	THERMOSTAT	
002	CM3954829			SEAL, THERMOSTAT	SEAL, THERMOSTAT	
Thermostat & Housing				Engine		0126

**0126****Engine****Thermostat & Housing**

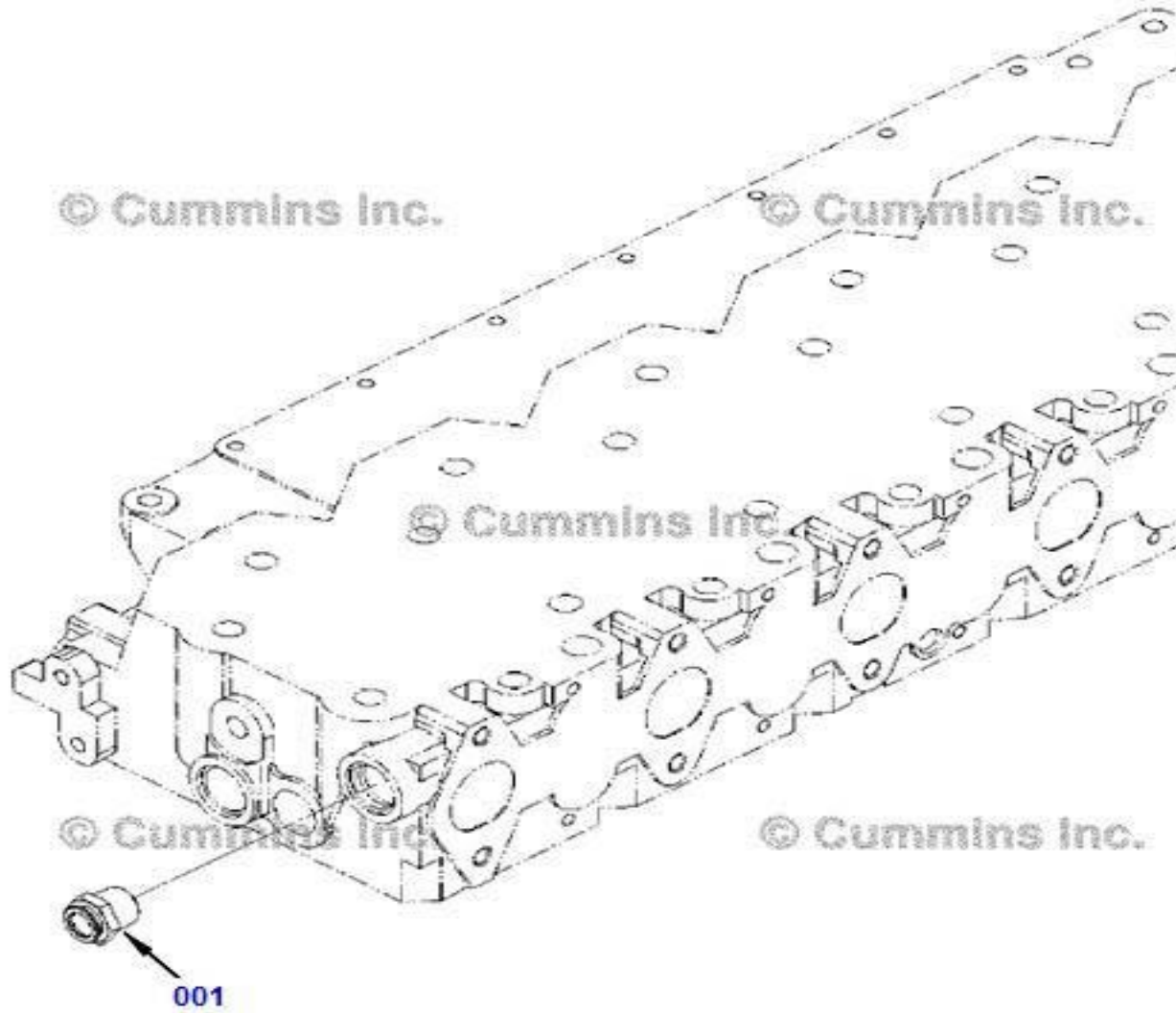
Picture No: TH900ZA-00

POZ	Part No	N.S.N	Code	Part Name (Türkçe)	Part Name (English)	Quantity
				<i>Thermostat &amp; Housing</i>		
001	CM3901865			SCREW, HEX FLANGE HEAD CAP	SCREW, HEX FLANGE HEAD CAP	
002	CM4989489			HOUSING, THERMOSTAT	HOUSING, THERMOSTAT	
003	CM3963824			SEAL, RECTANGULAR RING	SEAL, RECTANGULAR RING	
Thermostat & Housing				Engine		0126

**0127**

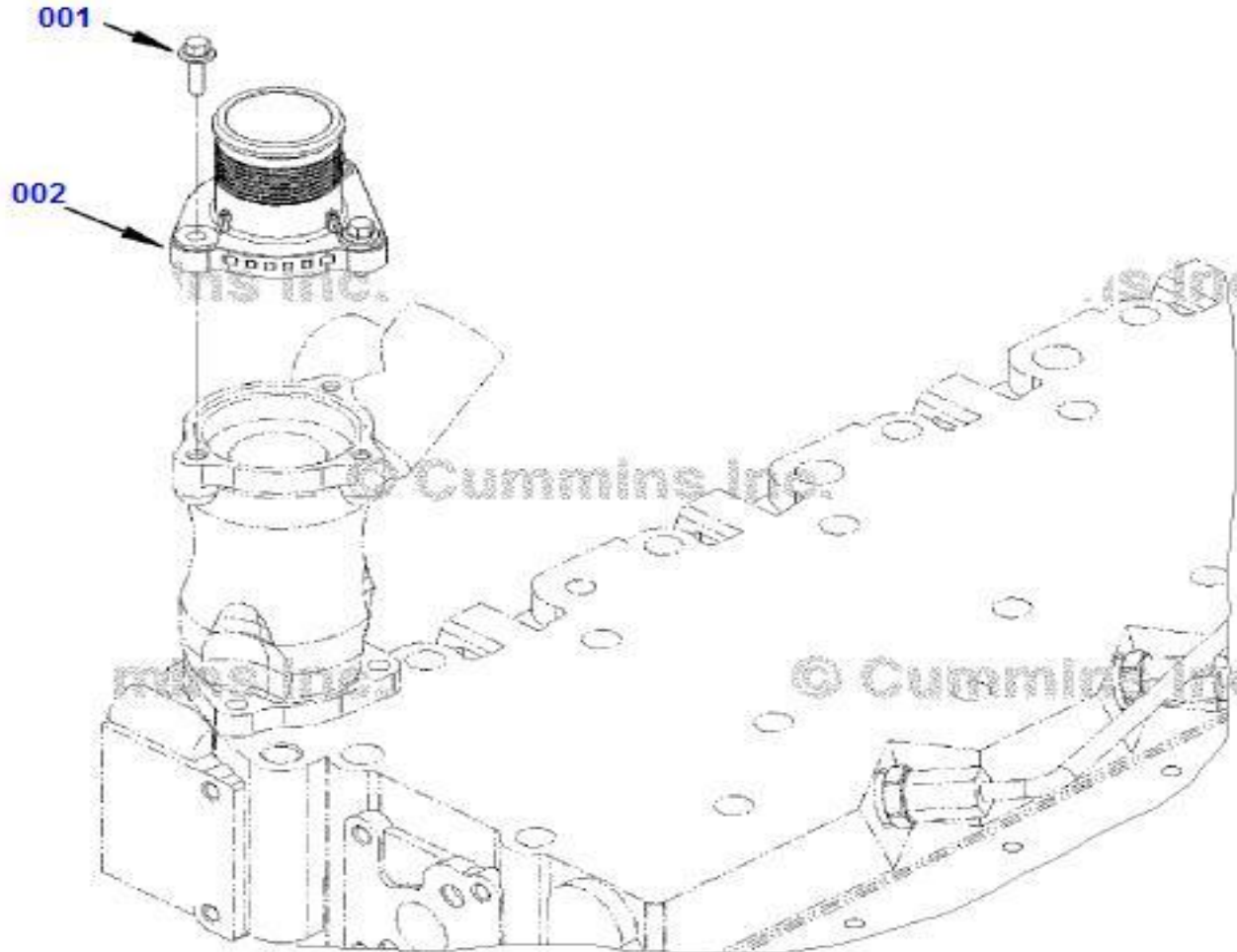
**Engine**

**Water Piping**



Picture No: HE900GR-00

POZ	Part No	N.S.N	Code	Part Name (Türkçe)	Part Name (English)	Quantity
001	CM5291155			<i>Water Piping</i> CONNECTOR, QCK DISCONNECT	CONNECTOR, QCK DISCONNECT	
<b>Water Piping</b>				<b>Engine</b>		<b>0127</b>

**0127****Engine****Water Piping**

Picture No: WO951GO-00



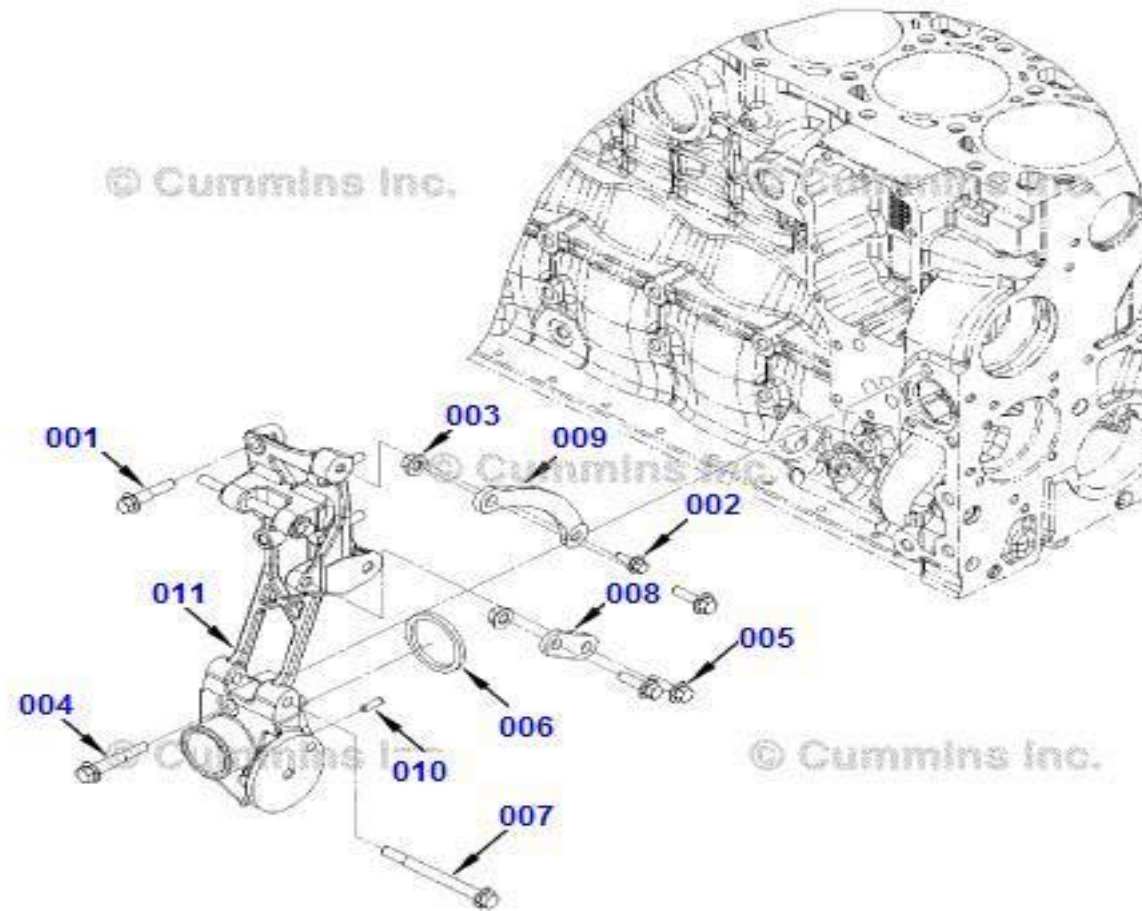
POZ	Part No	N.S.N	Code	Part Name (Türkçe)	Part Name (English)	Quantity
				<i>Water Piping</i>		
001	CM3901865			SCREW, HEX FLANGE HEAD CAP	SCREW, HEX FLANGE HEAD CAP	
002	CM5261014			CONNECTION, WATER OUTLET	CONNECTION, WATER OUTLET	
Water Piping				Engine		0127



**0128**

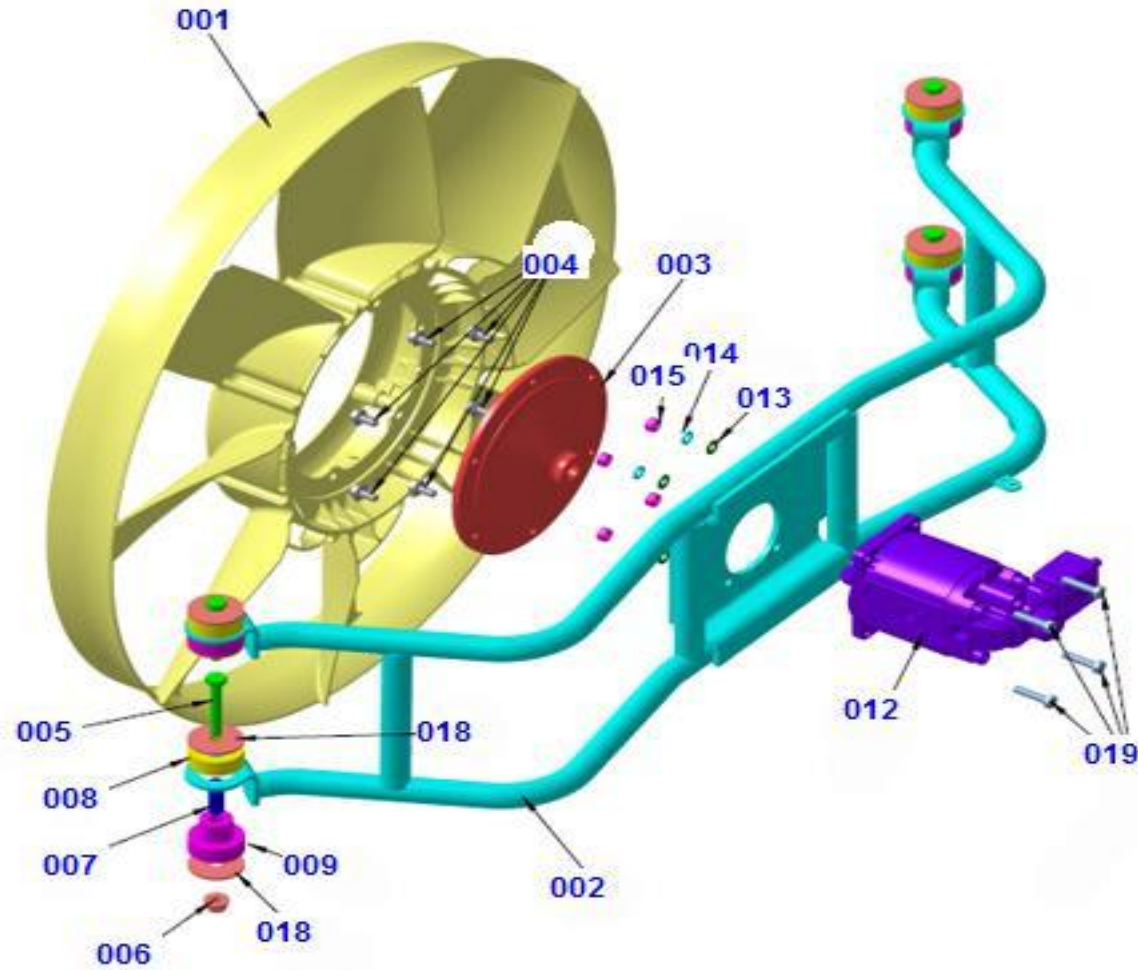
**Engine**

**Fan & Fan Belt**



Picture No: EH973GX-00

POZ	Part No	N.S.N	Code	Part Name (Türkçe)	Part Name (English)	Quantity
				<i>Fan &amp; Fan Belt</i>		
000	CM5289607			SUPPORT, ALTERNATOR	SUPPORT, ALTERNATOR	
001	CM3089232			SCREW, HEX FLANGE HEAD CAP	SCREW, HEX FLANGE HEAD CAP	
002	CM3093775			SCREW, HEX FLANGE HEAD CAP	SCREW, HEX FLANGE HEAD CAP	
003	CM3093828			NUT, HEXAGON FLANGE	NUT, HEXAGON FLANGE	
004	CM3900635			SCREW, HEX FLANGE HEAD CAP	SCREW, HEX FLANGE HEAD CAP	
005	CM3903112			SCREW, HEX FLANGE HEAD CAP	SCREW, HEX FLANGE HEAD CAP	
006	CM3906697			SEAL, O RING	SEAL, O RING	
007	CM3922863			SCREW, HEX FLANGE HEAD CAP	SCREW, HEX FLANGE HEAD CAP	
008	CM4932559			BRACE, ALTERNATOR	BRACE, ALTERNATOR	
009	CM4980390			BRACE, ALTERNATOR	BRACE, ALTERNATOR	
010	CM7067			DOWEL, PIN	DOWEL, PIN	
011	CM5289605			SUPPORT, ALTERNATOR	SUPPORT, ALTERNATOR	
<b>Fan &amp; Fan Belt</b>				<b>Engine</b>		<b>0128</b>

**0128****Engine****Fan & Fan Belt**

Picture No: EPL340330100-00

POZ	Part No	N.S.N	Code	Part Name (Türkçe)	Part Name (English)	Quantity
				<i>Fan &amp; Fan Belt</i>		
001	387034784051			FAN, RADYATOR	FAN, RADIATOR	1
002	387042753101			KARKAS, KOMPLE FAN	FRAME ASM. FAN	1
003	387034972001			ARA PARCA, FAN	HUB, FAN	1
004	300130816601			CIVATA, FLN M8X1. 25X16, KALIN D. DIN6921	BOLT, FLN M8X1. 25X16, COARSE T. DIN6921	6
005	300031070601			CIVATA, AKB M10X1. 5X70, KALIN D. DIN931	BOLT, HEX M10X1. 5X70, COARSE T. DIN931	4
006	300580010601			SOMUN, FLN&TR M10X1. 5, KALIN D. DIN 6923	NUT, FLN&SRTD M10X1. 5, COARSE T. DIN 692	4
007	922151217001			ARA PARCA, EGZOZ KUYRUK	SPACER, EXH TAIL	4
008	894457278101			ASKI KMP, EGZOZ SUSTURUCU	HANGER ASM. EXHAUST, SILENCER	4
009	894457277101			ASKI KMP, EGZOZ SUSTURUCU	HANGER ASM. EXHAUST, SILENCER	4
012	387033479051			MOTOR, HIDROLIK	ENGINE, HYDRAULIC	1
013	301000008601			RONDELA, DUZ D=8 DIN 125	WASHER, PLAIN D= 8 DIN 125	8
014	301010008601			RONDELA, YAYLI D=8 DIN 127	WASHER, SPRING D= 8 DIN 127	4
015	300500008601			SOMUN, AKB M8X1. 25, KALIN D. DIN934	NUT, HEX M8X1. 25, COARSE T. DIN934	4
018	509503017001			RONDELA	WASHER	8
019	300010835601			CIVATA, AKB M8X1. 25X40, KALIN D. DIN933	BOLT, HEX M8X1. 25X35, COARSE T. DIN933	4

Fan &amp; Fan Belt

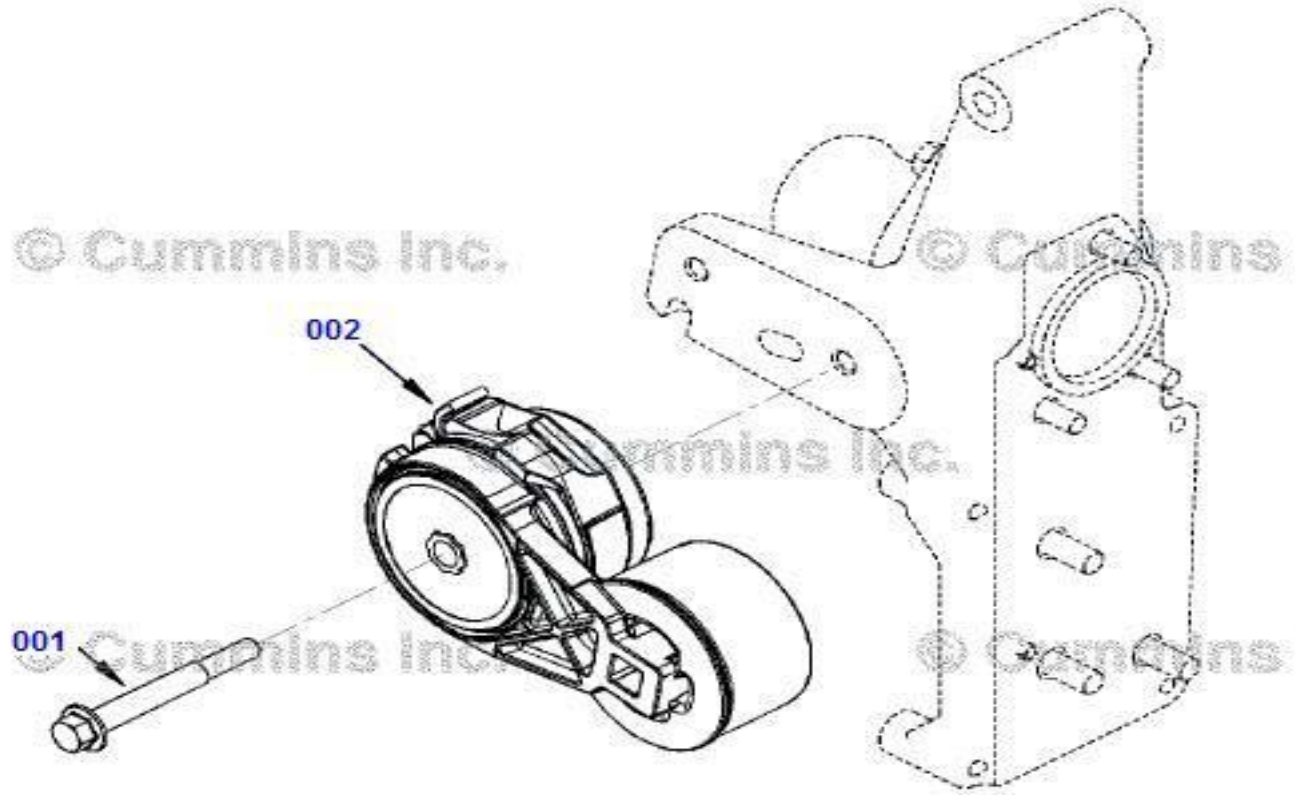
Engine

0128

**0128**

**Engine**

**Fan & Fan Belt**



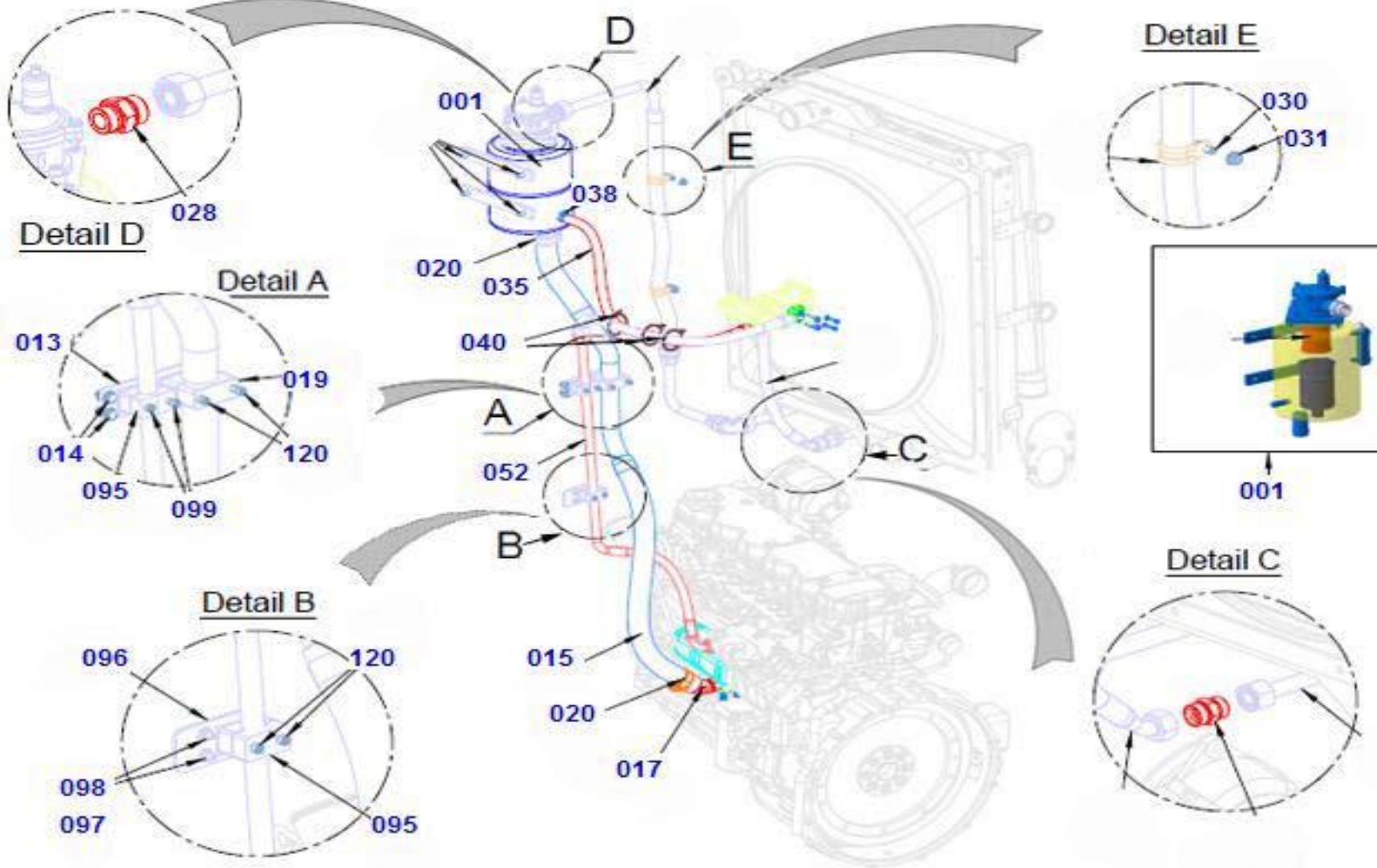
Picture No: WP900ZC-00

POZ	Part No	N.S.N	Code	Part Name (Türkçe)	Part Name (English)	Quantity
				<i>Fan &amp; Fan Belt</i>		
001	CM3900679			SCREW, HEX FLANGE HEAD CAP	SCREW, HEX FLANGE HEAD CAP	
002	CM3976834			TENSIONER, BELT	TENSIONER, BELT	
Fan & Fan Belt				Engine		0128

0129

Engine

Hydraulic Actuating System



Picture No: EPL349690100-00



POZ	Part No	N.S.N	Code	Part Name (Türkçe)	Part Name (English)	Quantity
				<i>Hydrolic Actuating System</i>		
001	387035275101			DEPO KMPL, YAG, 8LT	TANK ASM. OIL 8LT	1
013	387038606101			BRACKET, HORTUM KMPL, BASINC HATTI	BRACKET, HOSE, PRESSURE LINE	1
014	300120820601			CIVATA, FLN M8X1. 25X20, KALIN D. DIN6921	BOLT, FLN M8X1. 25X20, COARSE T. DIN6921	2
015	387035240101			HORTUM KOMPLESI, POMPA EMIS	ROLL BAR	1
017	387039465001			RAKOR, 45 DERECE, HIDROLIK	HINGE ASSEMBLY	1
019	387033532101			KELEPCE, Ø42, POMPA GIRIS	HINGE ASSEMBLY	1
020	387033753201			KELEPCE, Ø47-51	HINGE ASSEMBLY	2
028	387038890001			RAKOR, TANK	SHEET, RIGHT SIDE	1
030	300120820601			CIVATA, FLN M8X1. 25X20, KALIN D. DIN6921	BOLT, FLN M8X1. 25X20, COARSE T. DIN6921	2
031	300620008601			SOMUN, FLN M8X1. 25, KALIN D. DIN6923	NUT, FLN M8X1. 25, COARSE T. DIN6923	2
035	387035335201			HORTUM, KACAK HATTI	SHEET, RIGHT SIDE	1
038	305351625801			KELEPCE, VIDALI B9, Ø16-25, DIN3017	CLAMP, W/BOLT B9, Ø16-25, DIN3017	1
040	377771438001			KELEPCE, PLASTIK EB. 04. 204_3, 6*205mm	CLAMP, CABLE TIES	3
052	387038603001			HORTUM KMPL, BASINC HATTI, HIDROLIK	HOSE, PRESSURE LINE, HYDRAULIC	1
095	387038609001			KELEPCE, Ø21, BASINC HATTI	HINGE ASSEMBLY	2
096	387036928001			BRACKET, ASKI	BRACKET, HANGER	1
097	300120620601			CIVATA, FLN M6X1X20, KALIN D. DIN6921	BOLT, FLN M6X1X20, COARSE T. DIN6921	2
098	300620006601			SOMUN, FLN M6X1, KALIN D. DIN6923	NUT, FLN M6X1, COARSE T. DIN6923	2
099	300090650601			CIVATA, SLB M6X50, KALIN D. DIN912	BOLT, SOCKET M6X50, COARSE T. DIN912	4
120	300090660601			CIVATA, SLB M6X60, KALIN D. DIN912	BOLT, SOCKET M6X60, COARSE T. DIN912	2
<b>Hydrolic Actuating System</b>				<b>Engine</b>		<b>0129</b>

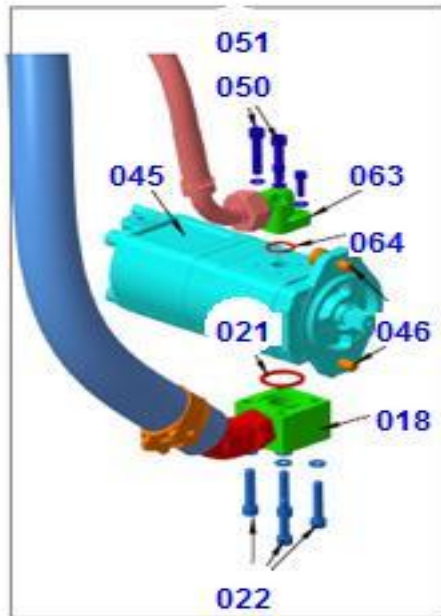
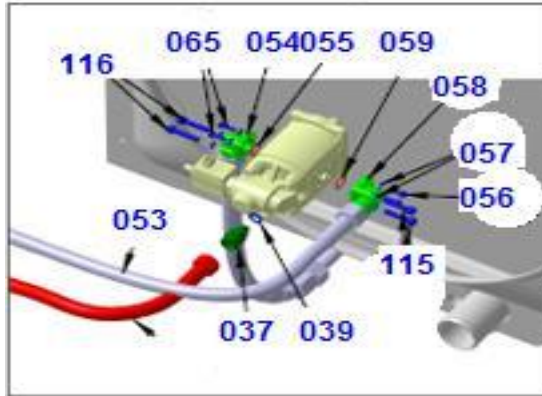


0129

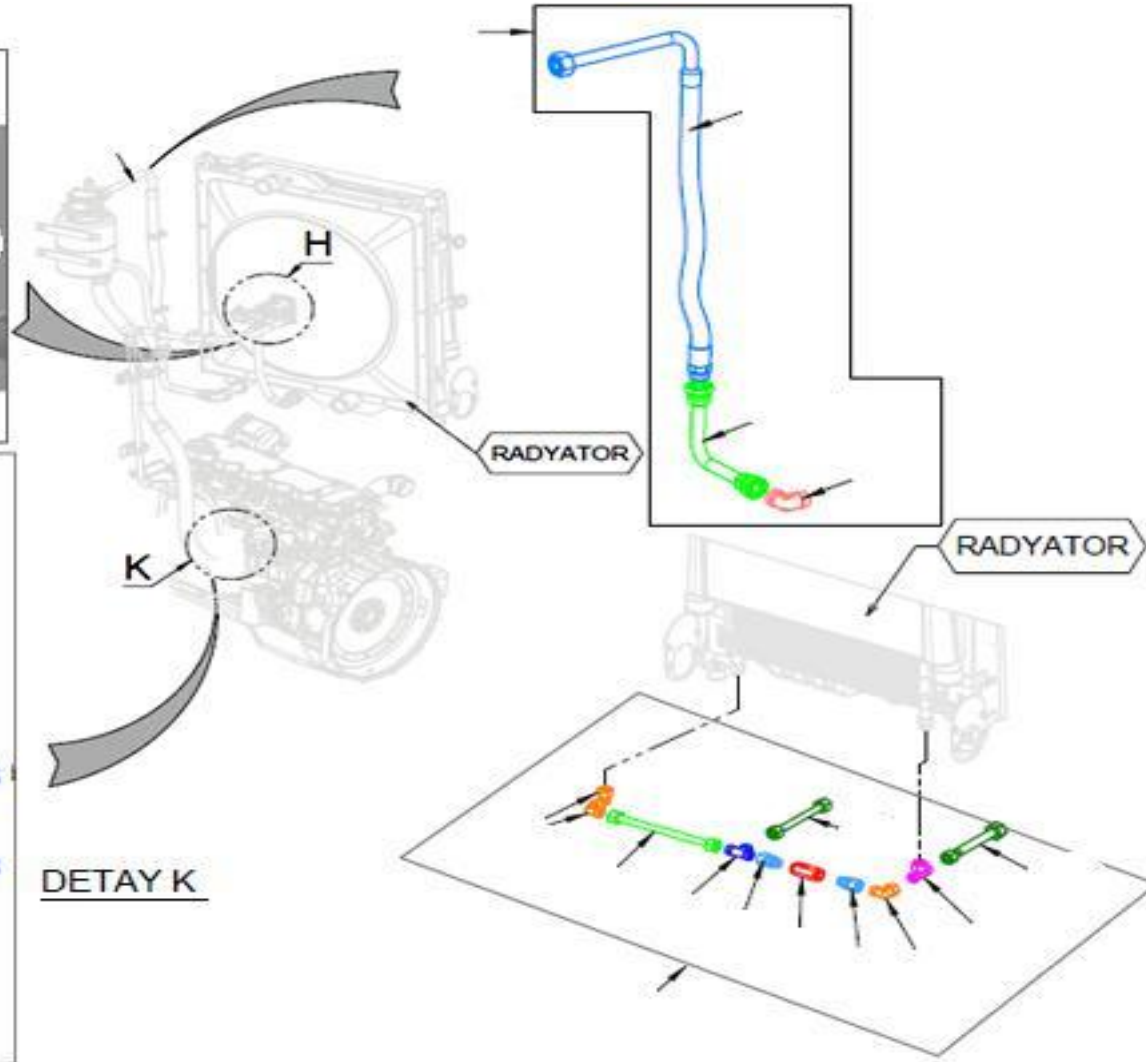
Engine

Hydraulic Actuating System

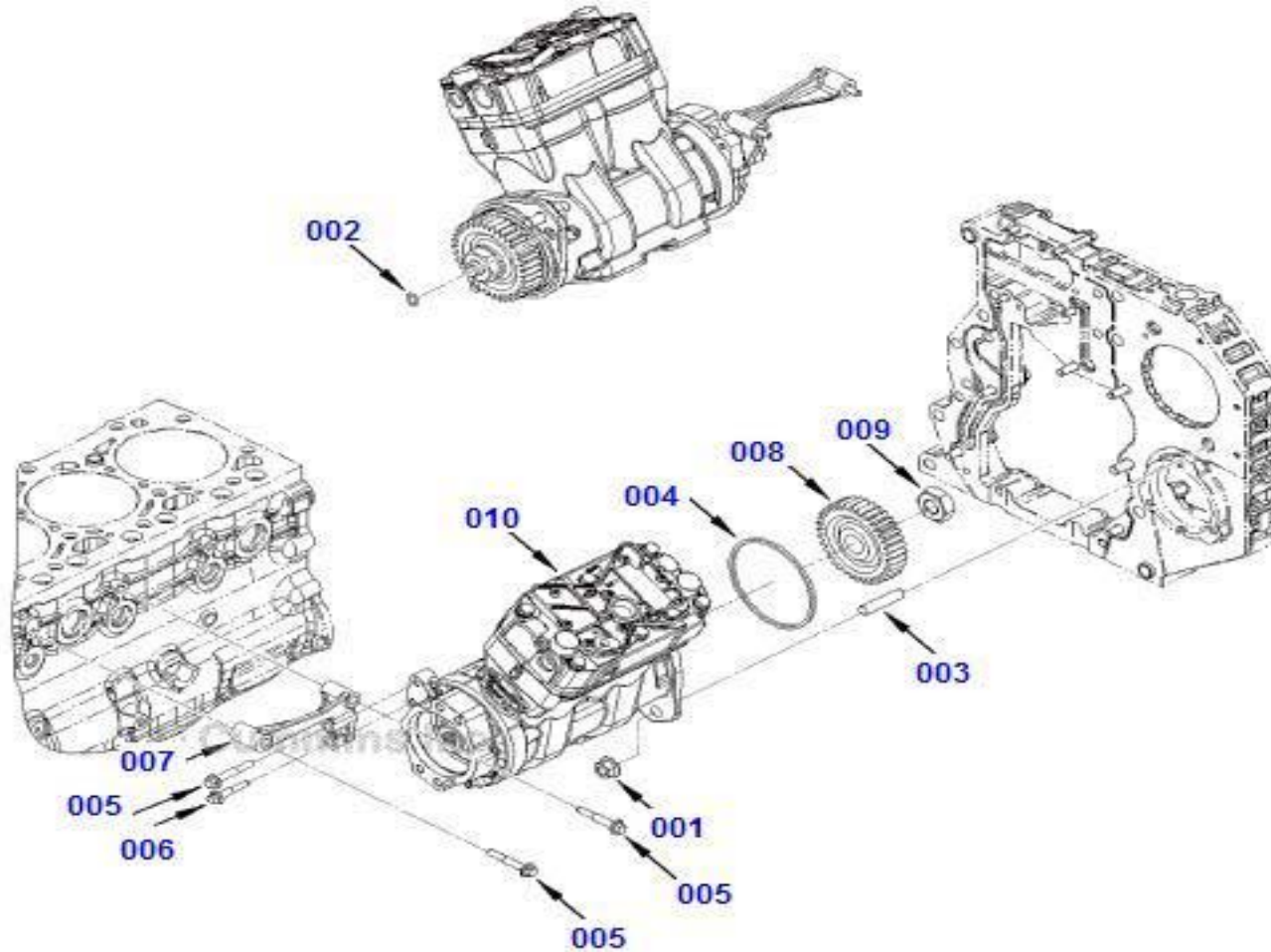
DETAY H



DETAY K

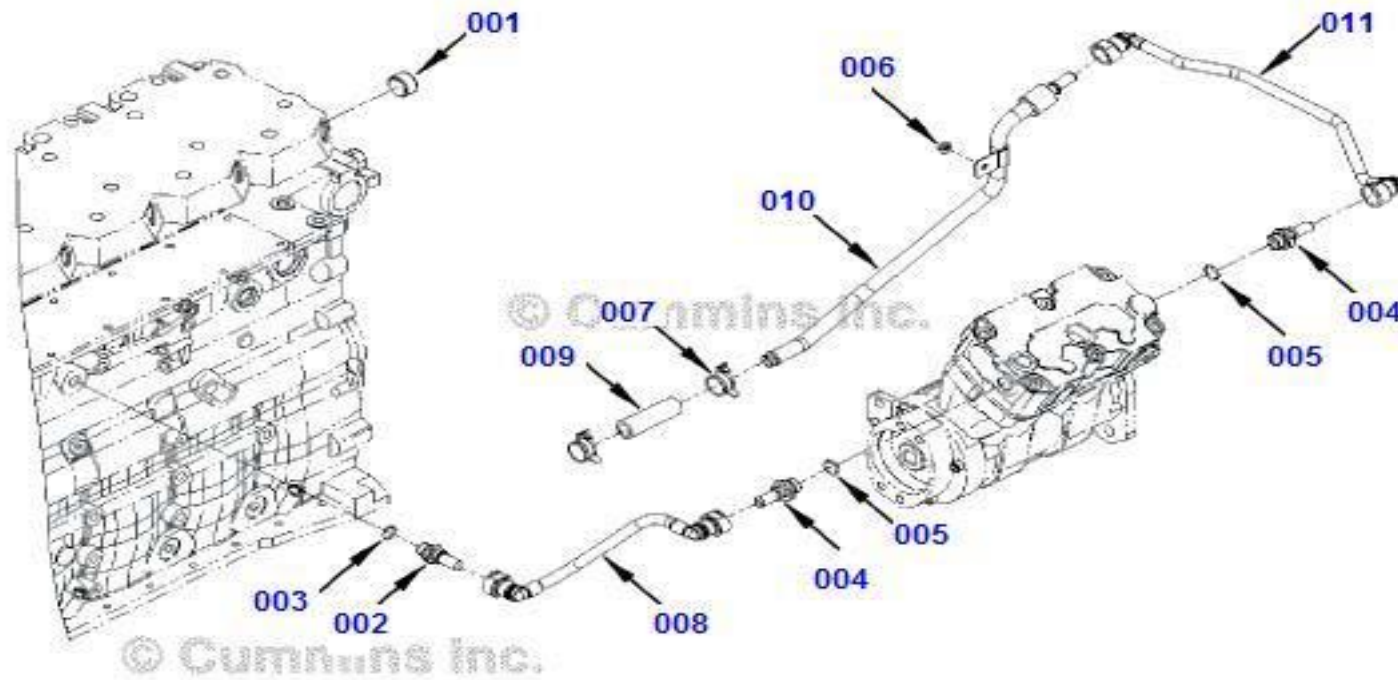


POZ	Part No	N.S.N	Code	Part Name (Türkçe)	Part Name (English)	Quantity
				<i>Hydrolic Actuating System</i>		
018	387039466101			ADAPTOR, EMIS	HINGE ASSEMBLY	1
021	387033754101			O-RING, Ø29X4, HORTUM KMPL	HINGE ASSEMBLY	1
022	300090840601			CIVATA, SLB M8X40, KALIN D. DIN912	BOLT, SOCKET M8X40, COARSE T. DIN912	4
037	387033495101			RAKOR, KACAK HATTI, HIDROLIK	HINGE ASSEMBLY	1
039	387033787101			PUL, BAKIR, M14, HORTUM KMPL, KACAK HATT	HINGE ASSEMBLY	1
045	387037500051			YAG POMPASI, DIR. &FAN 22CC, CCW	PUMP, 22 CC, CCW HYDRALIC FAN DRIVE	1
046	300091030601			CIVATA, SLB M10X30, KALIN D. DIN912	BOLT, SOCKET M10X30, COARSE T. DIN912	2
050	300090620601			CIVATA, SLB M6X20, KALIN D. DIN912	BOLT, SOCKET M6X20, COARSE T. DIN912	2
051	301010006301			RONDELA, YAYLI D=6 DIN 127	WASHER, SPRING D= 6 DIN 127	4
053	387035245001			HORTUM, BASINC HATTI	SHEET, RIGHT SIDE	1
054	387033504101			DIRSEK, BASINC HATTI, HIDROLIK	HINGE ASSEMBLY	1
055	387033755101			O-RING, Ø19X2, 5, HORTUM KMPL, BASINC HATTI	HINGE ASSEMBLY	1
056	300090620601			CIVATA, SLB M6X20, KALIN D. DIN912	BOLT, SOCKET M6X20, COARSE T. DIN912	2
057	301010006301			RONDELA, YAYLI D=6 DIN 127	WASHER, SPRING D= 6 DIN 127	4
058	387033504101			DIRSEK, BASINC HATTI, HIDROLIK	HINGE ASSEMBLY	1
059	387033755101			O-RING, Ø19X2, 5, HORTUM KMPL, BASINC HATTI	HINGE ASSEMBLY	1
063	387033504101			DIRSEK, BASINC HATTI, HIDROLIK	HINGE ASSEMBLY	1
064	387033755101			O-RING, Ø19X2, 5, HORTUM KMPL, BASINC HATTI	HINGE ASSEMBLY	1
065	300090620601			CIVATA, SLB M6X20, KALIN D. DIN912	BOLT, SOCKET M6X20, COARSE T. DIN912	2
115	300090640601			CIVATA, SLB M6X40, KALIN D. DIN912	BOLT, SOCKET M6X40, COARSE T. DIN912	2
116	300090640601			CIVATA, SLB M6X40, KALIN D. DIN912	BOLT, SOCKET M6X40, COARSE T. DIN912	2
<b>Hydrolic Actuating System</b>				<b>Engine</b>		<b>0129</b>

**0130****Engine****Eng. Air Compr.**

Picture No: CP965GF-00

POZ	Part No	N.S.N	Code	Part Name (Türkçe)	Part Name (English)	Quantity
				<i>Eng. Air Compr.</i>		
001	CM3279043			NUT, HEXAGON FLANGE	NUT, HEXAGON FLANGE	
002	CM4994574			SEAL, O RING	SEAL, O RING	
003	CM3905371			STUD	STUD	
004	CM3906252			SEAL, RECTANGULAR RING	SEAL, RECTANGULAR RING	
005	CM3925402			SCREW, HEX FLANGE HEAD CAP	SCREW, HEX FLANGE HEAD CAP	
006	CM3928873			SCREW, HEX FLANGE HEAD CAP	SCREW, HEX FLANGE HEAD CAP	
007	CM3977148			BRACE, AIR COMPRESSOR	BRACE, AIR COMPRESSOR	
008	CM3971520			GEAR, ACCESSORY DRIVE	GEAR, ACCESSORY DRIVE	
009	CM3287893			NUT, REGULAR HEXAGON	NUT, REGULAR HEXAGON	
010	CM5291275			COMPRESSOR, AIR	COMPRESSOR, AIR	
				<b>Eng. Air Compr.</b>	<b>Engine</b>	<b>0130</b>

**0131****Engine****Eng. Air Compr.**

Picture No: CC963GD-00

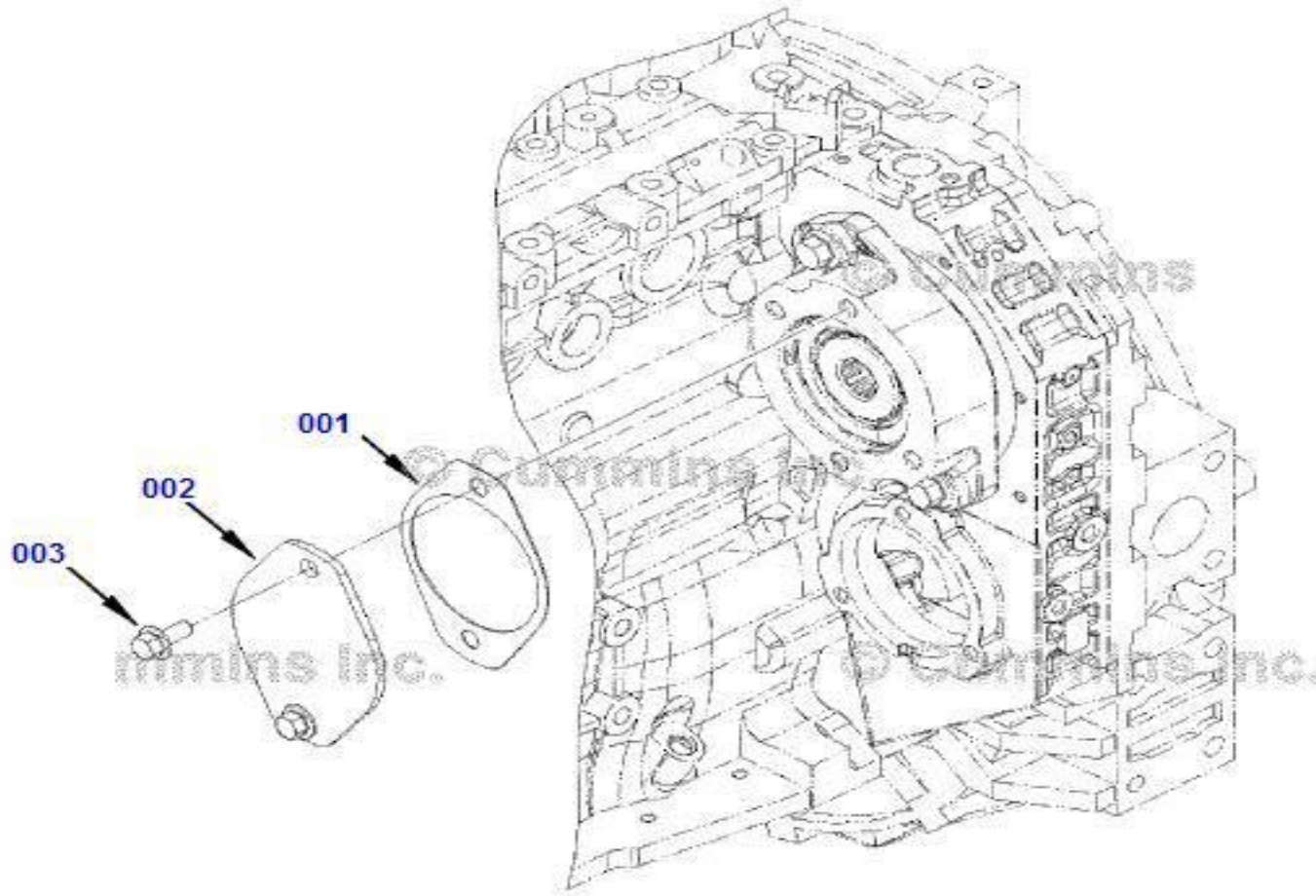
POZ	Part No	N.S.N	Code	Part Name (Türkçe)	Part Name (English)	Quantity
				<i>Eng. Air Compr.</i>		
000	CM5303470			CONNECTOR, QCK DISCONNECT	CONNECTOR, QCK DISCONNECT	
000	CM3287274			CONNECTOR, QCK DISCONNECT	CONNECTOR, QCK DISCONNECT	
001	CM3008469			PLUG, PIPE	PLUG, PIPE	
002	CM5297858			CONNECTOR, QCK DISCONNECT	CONNECTOR, QCK DISCONNECT	
003	CM3679139			SEAL, O RING	SEAL, O RING	
004	CM3287270			CONNECTOR, QCK DISCONNECT	CONNECTOR, QCK DISCONNECT	
005	CM3678786			SEAL, O RING	SEAL, O RING	
006	CM3906216			NUT, HEXAGON FLANGE	NUT, HEXAGON FLANGE	
007	CM4930304			CLAMP, HOSE	CLAMP, HOSE	
008	CM5284996			TUBE, CPR WATER INLET	TUBE, CPR WATER INLET	
009	CM5285013			HOSE, PLAIN	HOSE, PLAIN	
010	CM5294133			TUBE, CPR WATER OUTLET	TUBE, CPR WATER OUTLET	
011	CM5294136			TUBE, CPR WATER OUTLET	TUBE, CPR WATER OUTLET	
				<b>Eng. Air Compr.</b>	<b>Engine</b>	<b>0131</b>



**0131**

**Engine**

**Eng. Air Compr.**



Picture No: HD951GT-00

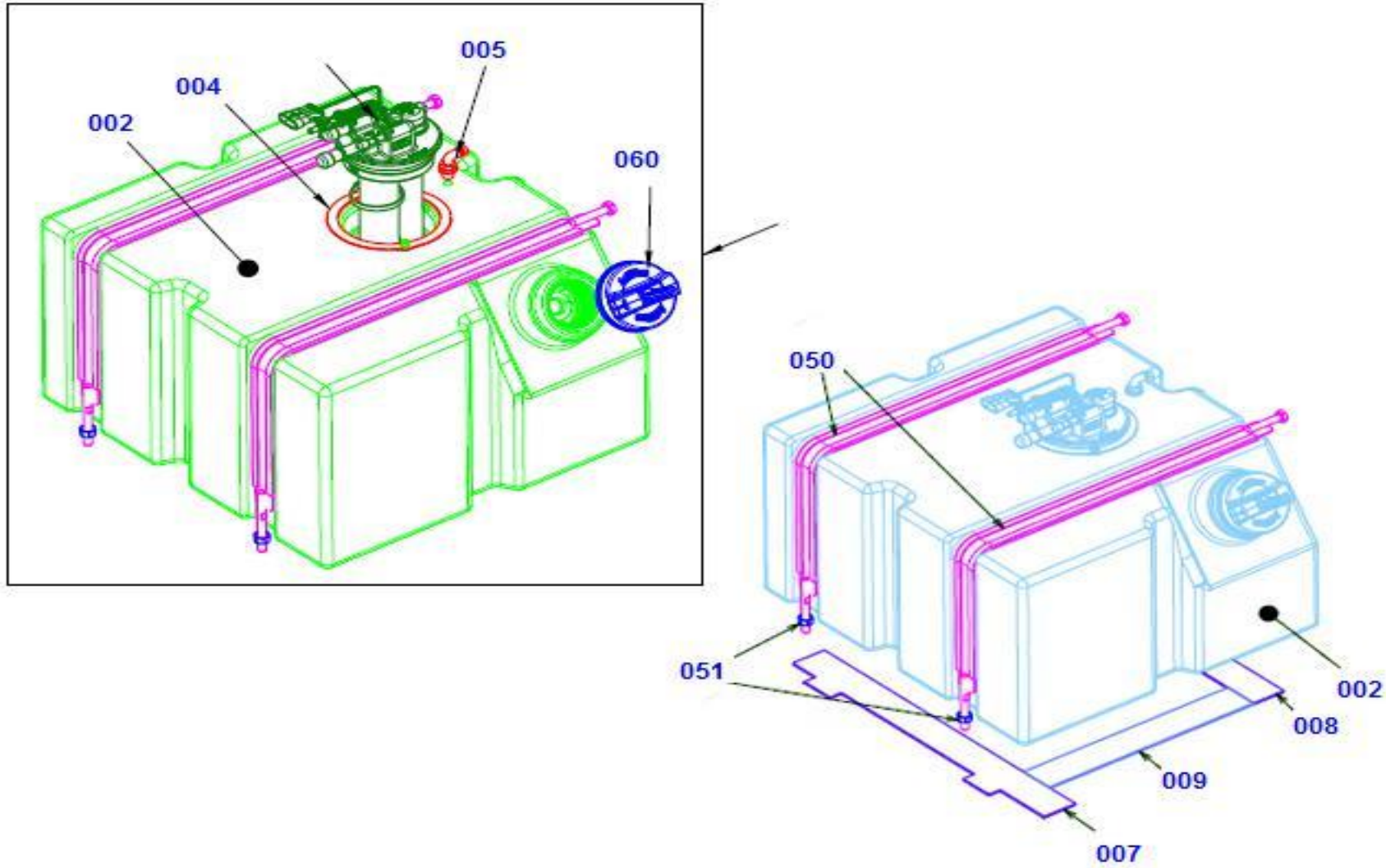
POZ	Part No	N.S.N	Code	Part Name (Türkçe)	Part Name (English)	Quantity
				<i>Eng. Air Compr.</i>		
001	CM4988280			GASKET, HYDRAULIC PUMP	GASKET, HYDRAULIC PUMP	
002	CM204048			PLATE, COVER	PLATE, COVER	
003	CM3903990			SCREW, HEX FLANGE HEAD CAP	SCREW, HEX FLANGE HEAD CAP	
				<b>Engine</b>		<b>0131</b>



**0132**

**Engine**

**Adblue Tank**



Picture No: EPL344390100-00

POZ	Part No	N.S.N	Code	Part Name (Türkçe)	Part Name (English)	Quantity
				<i>Adblue Tank</i>		
002	387042842001			GOVDE, DEF TANKI	BODY, DEF TANK	1
004	377780841001			FLANS, DEF SENSORU BAGLANTI	FLANGE, DEF SENSOR CONNECTION	1
005	387035265001			SUBAP, HAVALANDIRMA	VALVE, VENTILATION	1
007	387039603001			IZOLASYON, ADBLUE TANKI 1	INSULATION	1
008	387039604001			IZOLASYON, ADBLUE TANKI 2	INSULATION	1
009	387039605001			IZOLASYON, ADBLUE TANKI 3	INSULATION	1
050	387038020101			KUSAK KOMPLE, ADBLUE DEPOSU	BELT ASM. ADBLUE TANK	2
051	300850010201			SOMUN, PL. EMN. M10X1. 25, INCE D. DIN985	NUT, NYLON PRV. M10X1. 25, FINE T. DIN985	2
060	387035267001			KAPAK, DEF TANKI	COVER, DEF TANK	1

Adblue Tank

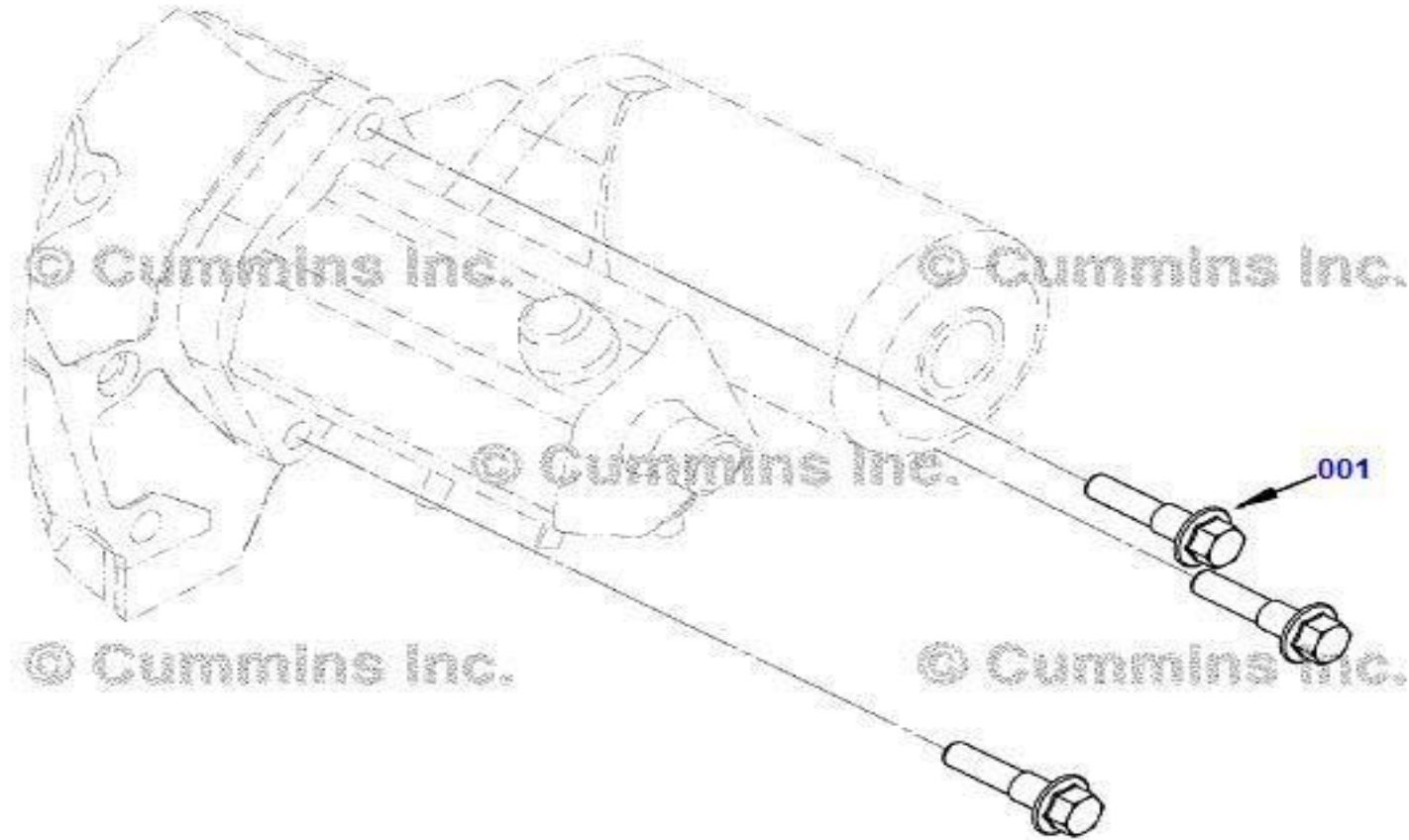
Engine

0132

**0133**

**Engine**

**Starter**



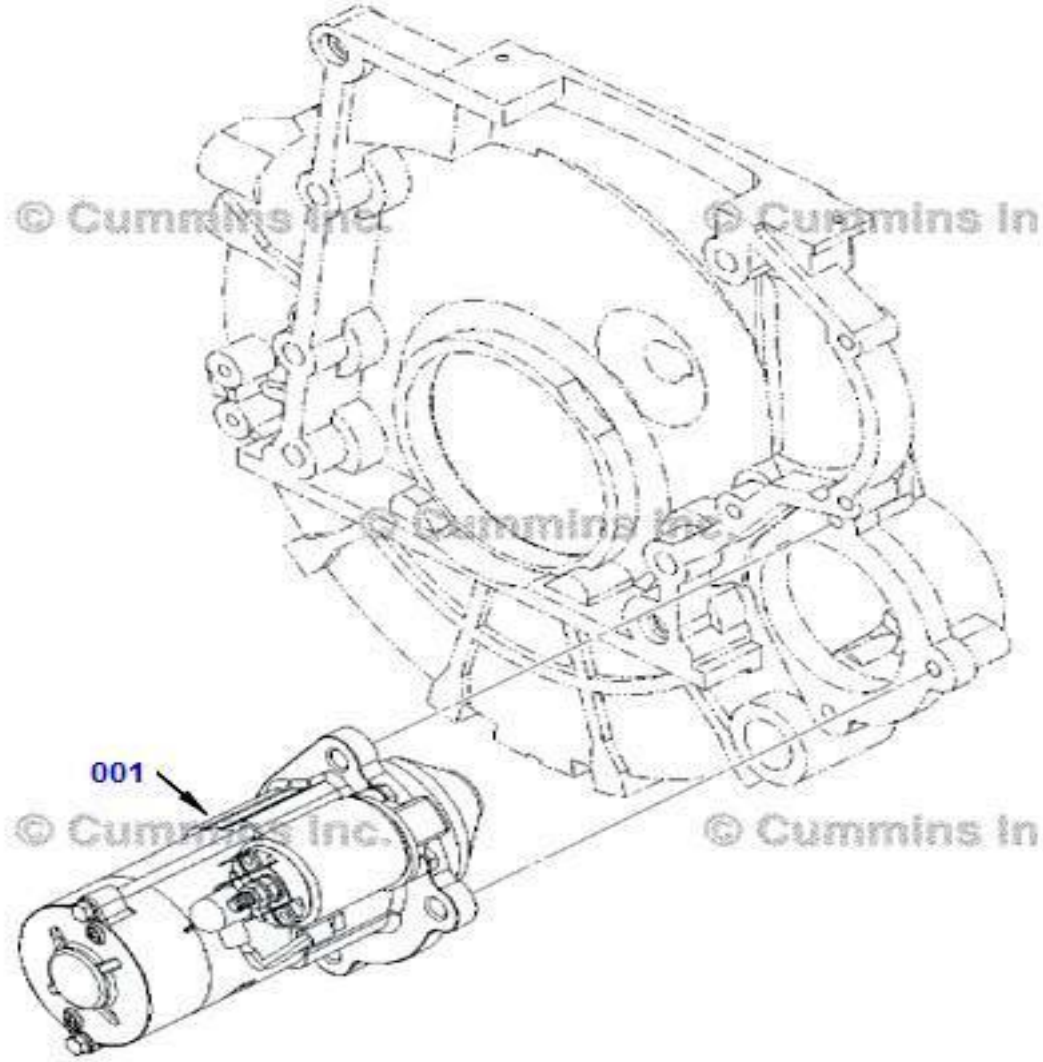
Picture No: SM900ZG-00

POZ	Part No	N.S.N	Code	Part Name (Türkçe)	Part Name (English)	Quantity
001	CM3968470			<i>Starter</i> SCREW, TWELVE POINT CAP	SCREW, TWELVE POINT CAP	
<b>Starter</b>				<b>Engine</b>		<b>0133</b>

**0133**

**Engine**

**Starter**



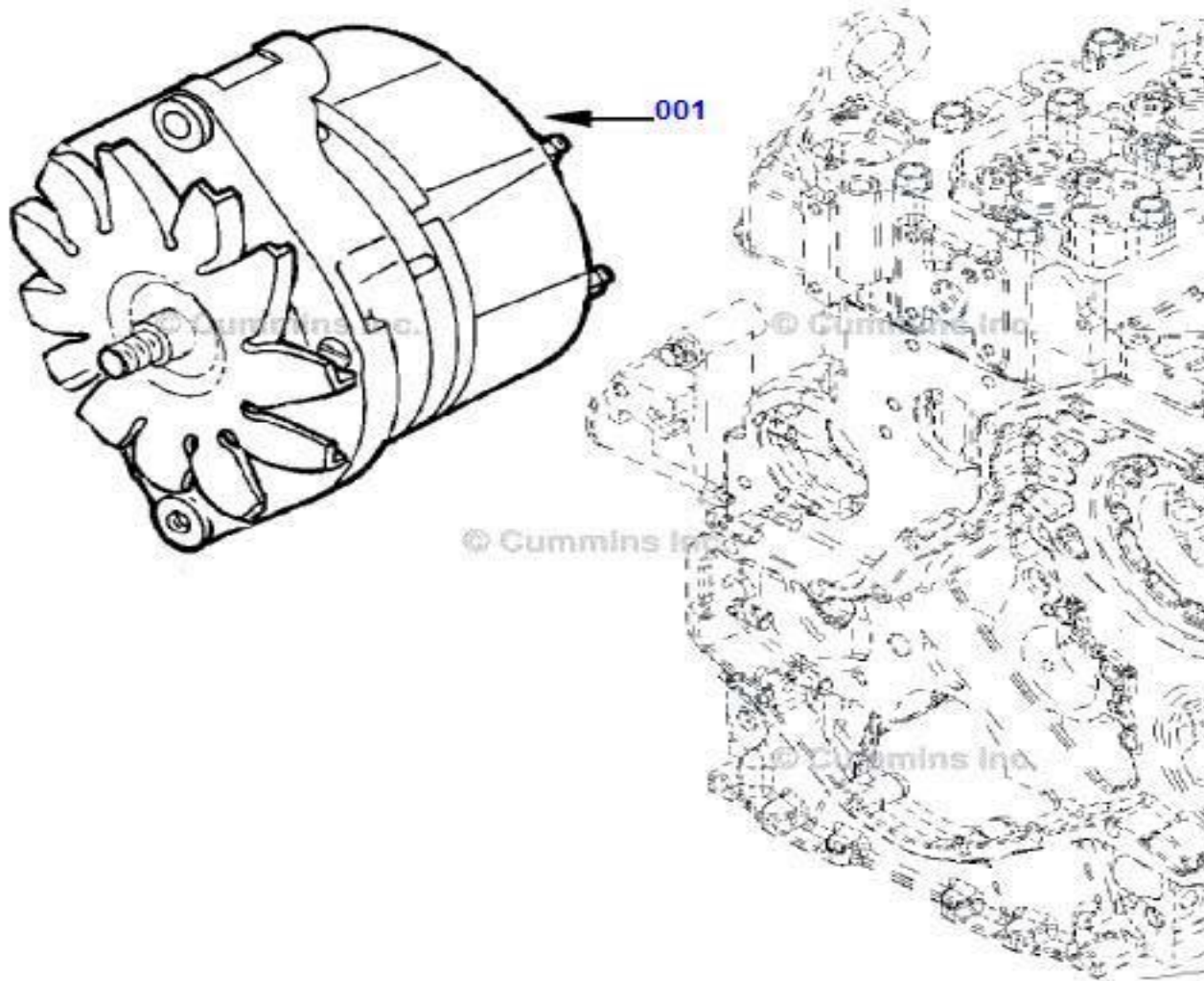
Picture No: ST950GS-00

POZ	Part No	N.S.N	Code	Part Name (Türkçe)	Part Name (English)	Quantity
001	CM4892338			<i>Starter</i> MOTOR, STARTING	MOTOR, STARTING	
<b>Starter</b>				<b>Engine</b>		<b>0133</b>

**0134**

**Engine**

**Generator**



Picture No: EE900ZM-00

POZ	Part No	N.S.N	Code	Part Name (Türkçe)	Part Name (English)	Quantity
001	CM5259578			<i>Generator</i> ALTERNATOR	ALTERNATOR	
Generator				Engine		0134



Bölüm Sonu

---

ANADOLU ISUZU OTOMOTIV SAN. TIC. A.S.

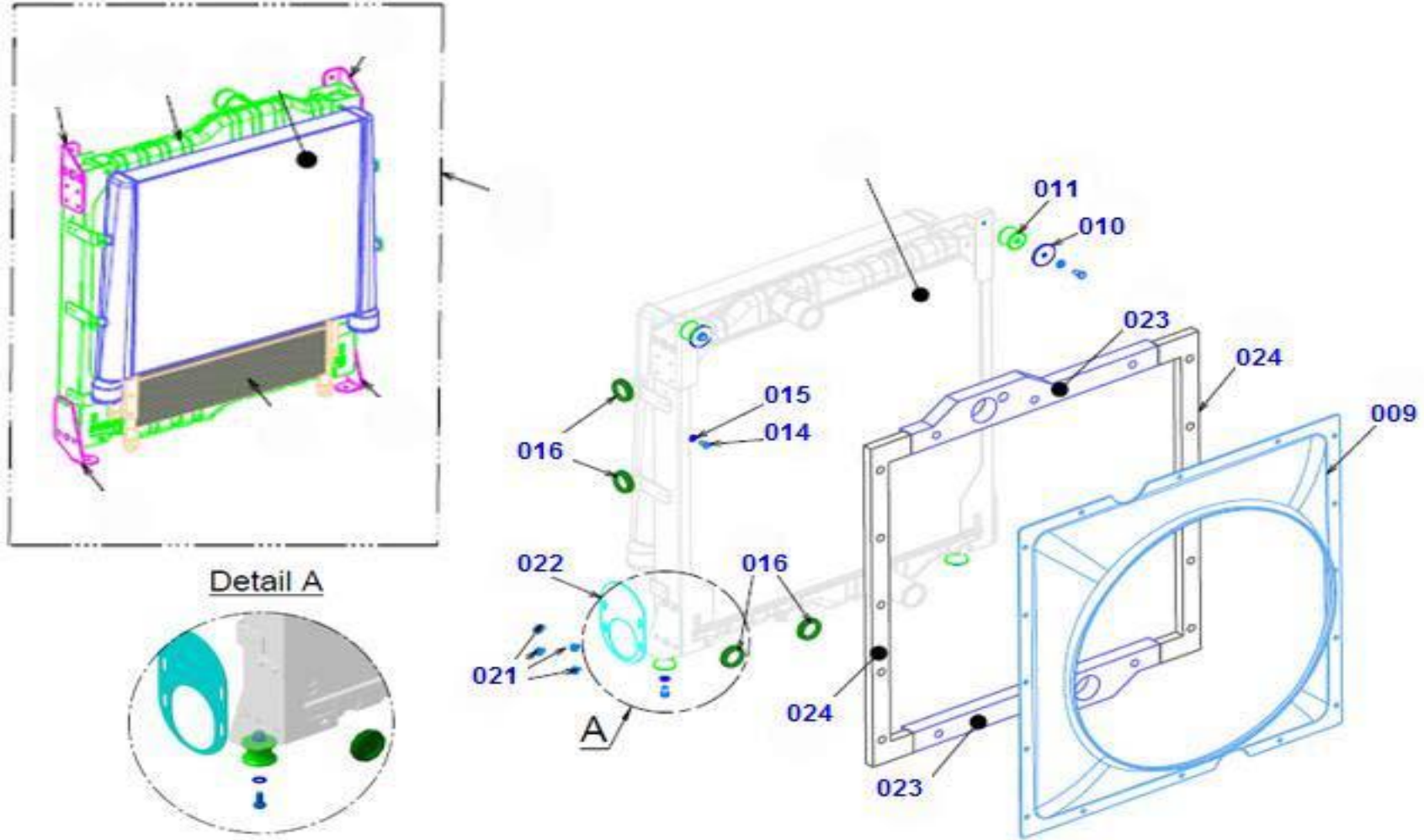
**ISUZU**



ANADOLU GRUBU

CITIPORT AT E6

02-Cooling System

**0201****Cooling System****Radiator**

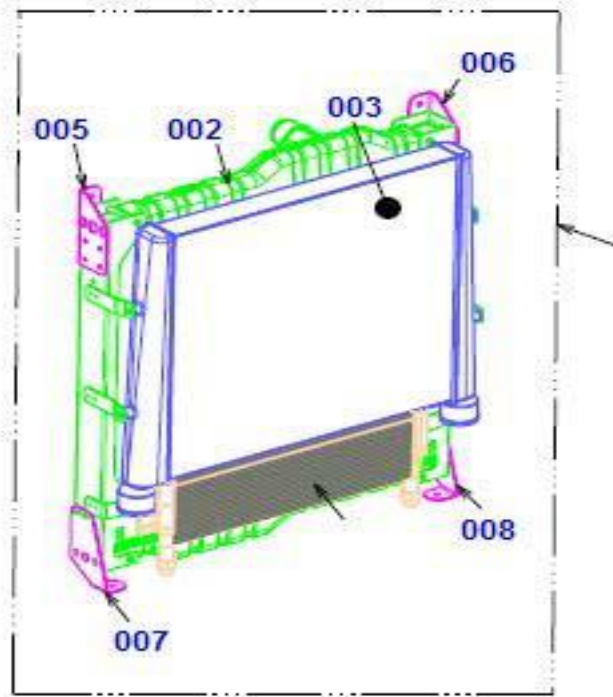
Picture No: EPL341100100-00

POZ	Part No	N.S.N	Code	Part Name (Türkçe)	Part Name (English)	Quantity
				<i>Radiator</i>		
009	387033156001			DAVLUMBAZ, FAN	SHROUD, FAN	1
010	387036092001			PUL	WASHER	2
011	387038851001			RADYATOR TAKOZU	RADIATOR ABSORBER	4
014	300010816601			CIVATA, AKB M8X1. 25X18, KALIN D. DIN933	BOLT, HEX M8X1. 25X16, COARSE T. DIN933	16
015	301000008601			RONDELA, DUZ D=8 DIN 125	WASHER, PLAIN D= 8 DIN 125	16
016	387029382001			GROMET	GROMMET	2
021	300120812601			CIVATA, FLN M8X1. 25X12, KALIN D. DIN6921	BOLT, FLN M8X1. 25X12, COARSE T. DIN6921	8
022	387039388101			KAPAK, RADYATOR SACLAMA	COVER, RADIATOR HOUSING	2
023	387039389001			IZOLASYON, RADYATOR	ISOLATION, RADIATOR	2
024	387039390001			IZOLASYON, RADYATOR	ISOLATION, RADIATOR	2
<b>Radiator</b>				<b>Cooling System</b>		<b>0201</b>

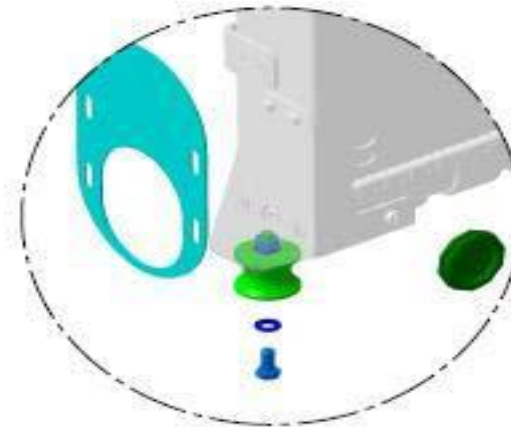
**0201**

**Cooling System**

**Radiator**



Detail A



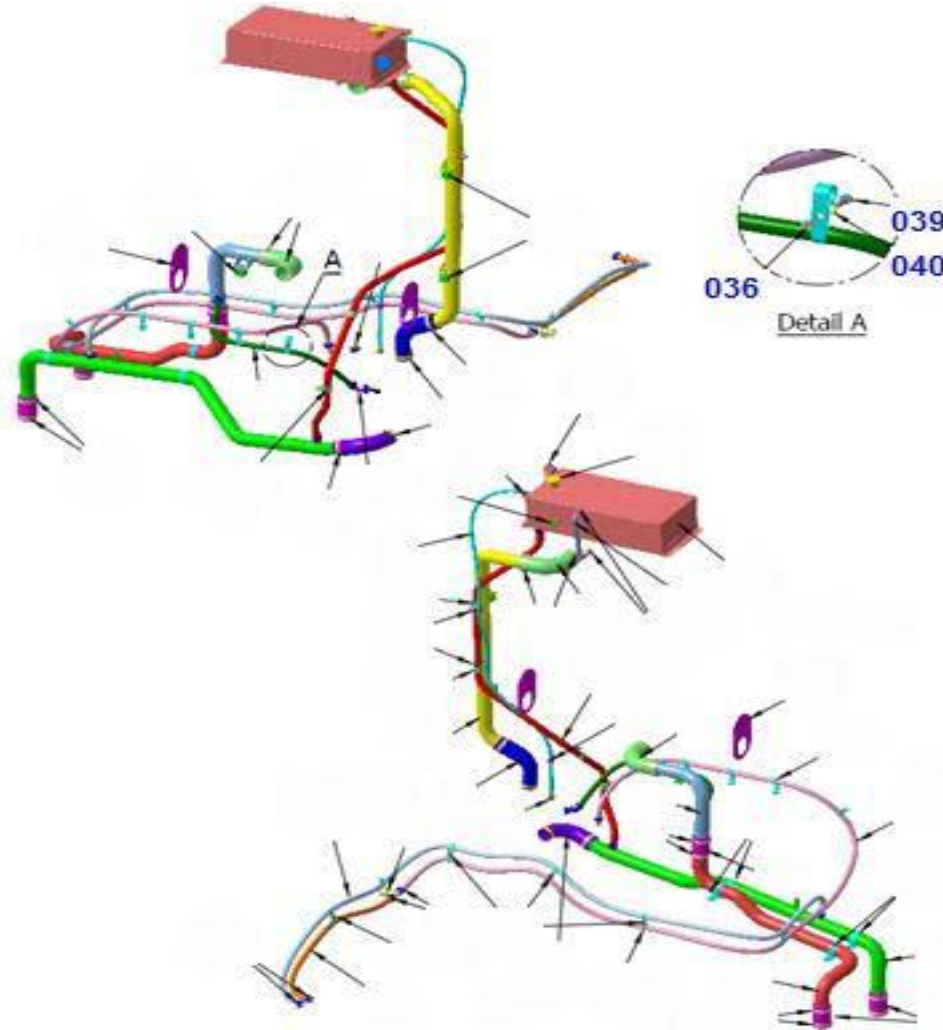
Picture No: EPL341100100-01



**0202**

**Cooling System**

**Radiator Hose & Sub Tank**



Picture No: EPL341110100-00

POZ	Part No	N.S.N	Code	Part Name (Türkçe)	Part Name (English)	Quantity
				<i>Radiator Hose &amp; Sub Tank</i>		
036	300500008601			SOMUN, AKB M8X1. 25, KALIN D. DIN934	NUT, HEX M8X1. 25, COARSE T. DIN934	9
039	300010820601			CIVATA, AKB M8X1. 25X22, KALIN D. DIN933	BOLT, HEX M8X1. 25X20, COARSE T. DIN933	4
040	301000008601			RONDELA, DUZ D=8 DIN 125	WASHER, PLAIN D= 8 DIN 125	10

Radiator Hose &amp; Sub Tank

Cooling System

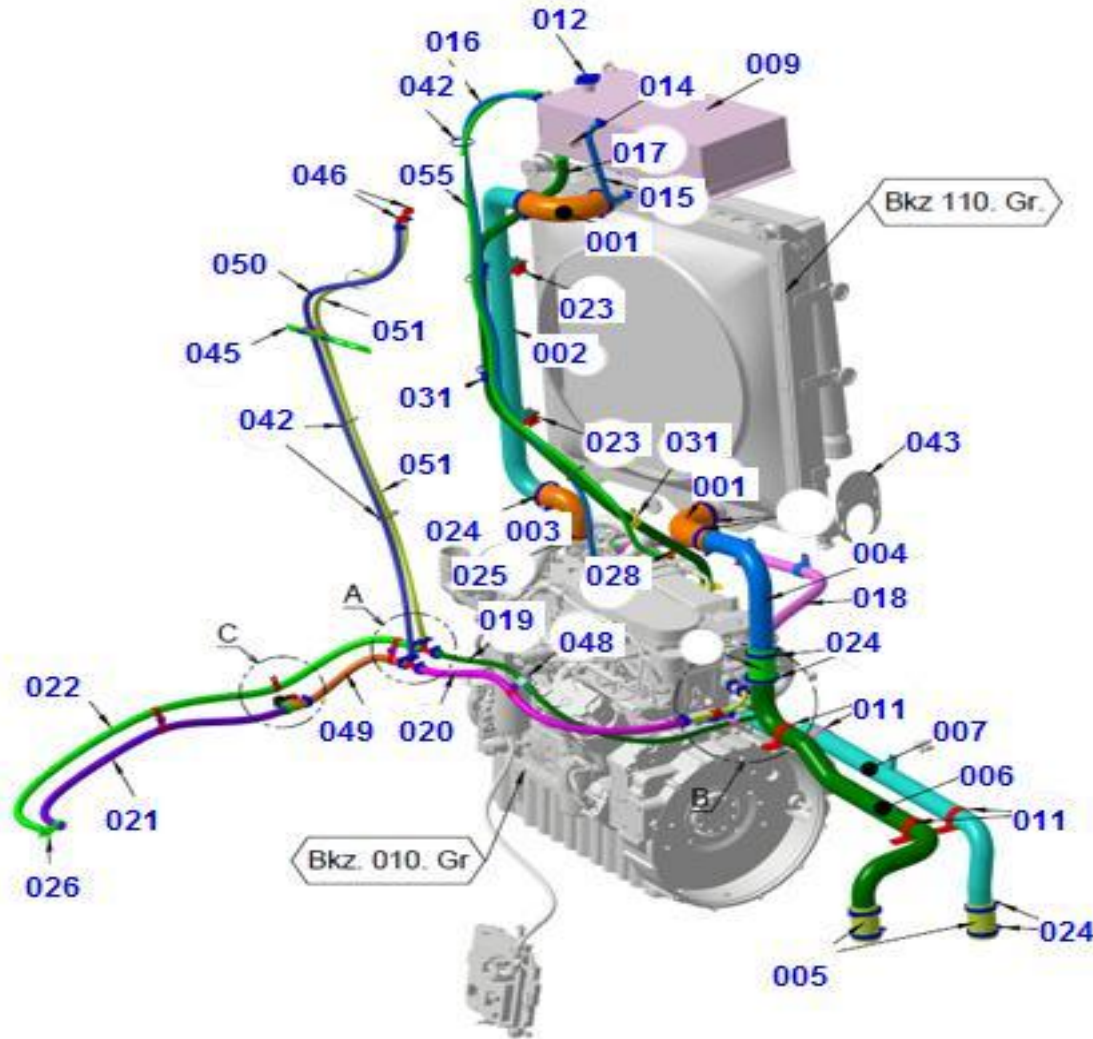
0202



**0202**

**Cooling System**

**Radiator Hose & Sub Tank**



Picture No: EPLB3511101-00

POZ	Part No	N.S.N	Code	Part Name (Türkçe)	Part Name (English)	Quantity
				<i>Radiator Hose &amp; Sub Tank</i>		
001	387033629251			HORTUM, RADYATOR GIRIS	HOSE, RADIATOR INLET	2
002	387040726001			BORU KOMPLE, MOTOR SU CIKIS	PIPE ASM. ENGINE WATER EXIT	1
003	387040749051			HORTUM, MOTOR SU CIKIS	HOSE, ENGINE WATER OUTLET	1
004	387040873001			BORU, KOMPLE RADYATOR CIKIS	PIPE, ASM. RADIATOR EXIT	1
005	387033607151			HORTUM, SANZIMAN BAGLANTI	HOSE, TRANSMISSION CONNECTION	3
006	387033612101			BORU, SANZIMAN GIRIS	PIPE, TRANSMISSION ENTRY	1
007	387042690001			BORU, KOMPLE MOTOR SU GIRIS	PIPE, ASM. ENGINE WATER ENTRY	1
009	387042620001			TANK, KOMPLE GENLESME	TANK, ASM. EXPANSION	1
011	387033617001			KELEPCE, CAP 60 BORU	CLAMP	4
012	387039036001			KAPAK, GENLESME TANKI 1 BAR	DEGAS BOTTLE LID, 1 ATM	1
014	387034755051			SENSOR, SEVIYE, DEPO KMP	SEONSOR, LEVEL, TANK CMP	1
015	387035161001			HORTUM, RADYATOR HAVALANDIRMA	HOSE, RADIATOR VENTILATION	1
016	387035162001			HORTUM, MOTOR HAVALANDIRMA	HOSE, ENGINE VENTILATION	1
017	387042079001			HORTUM, GENLESME SU TAMAMLAMA	HOSE, DILATATION WATER COMPLETION	1
018	387041118001			HORTUM, BYPASS HATTI	HOSE, BYPASS LINE	1
019	387042804001			HORTUM, ADBLUE ISITMA	HOSE, ADBLUE HEATING	1
020	387042808001			HORTUM, ADBLUE ISITMA	HOSE, ADBLUE HEATING	1
021	387035072001			HORTUM, URE TANK SU GIDIS	HOSE, UREA TANK WATER INLET	1
022	387042812001			HORTUM, URE TANK SU DONUS	HOSE, UREA TANK WATER RETURN	1
023	894158155101			TAKOZ, HAVA BACASI ALT	BLOCK, AIR CHIMNEY BOTTOM	3
024	387014000001			KELEPCE, 60-80	CLAMP ( NORMA )	12
025	387018591001			KELEPCE, 50-70	CLAMP(NORMA) 50-70	2
026	305302032601			KELEPCE, VIDALI B12, Ø20-32, DIN3017	CLAMP, W/BOLT B12, Ø20-32, DIN3017	14
028	305301625601			KELEPCE, VIDALI B12, Ø16-25, DIN3017	CLAMP, W/BOLT B12, Ø16-25, DIN3017	11
031	387039429001			KELEPCE, CAP 29	HINGE ASSEMBLY	4
042	377770506001			PLASTIK KELEPCE L 350 MM	CLIP, PLASTIC	7
043	387041250001			PAD, RADYATOR IZOLASYON	PAD, RADIATOR INSULATION	2
045	387042765001			BRAKET	BRACKET	2

Radiator Hose &amp; Sub Tank

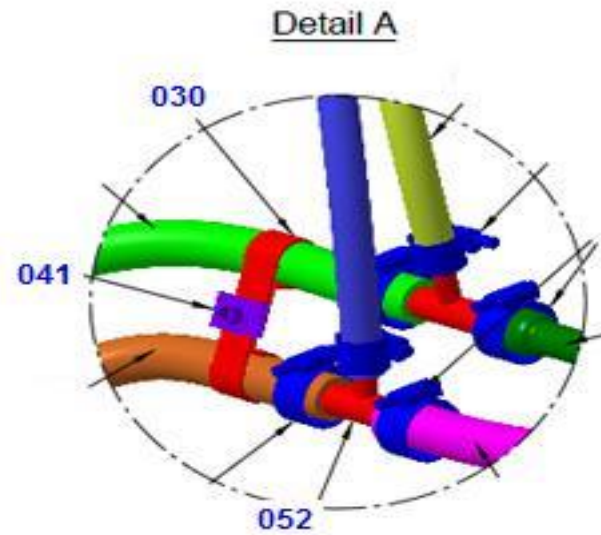
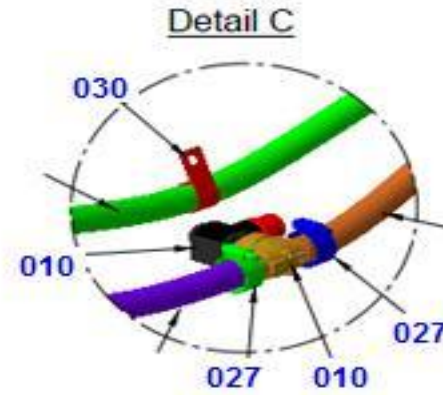
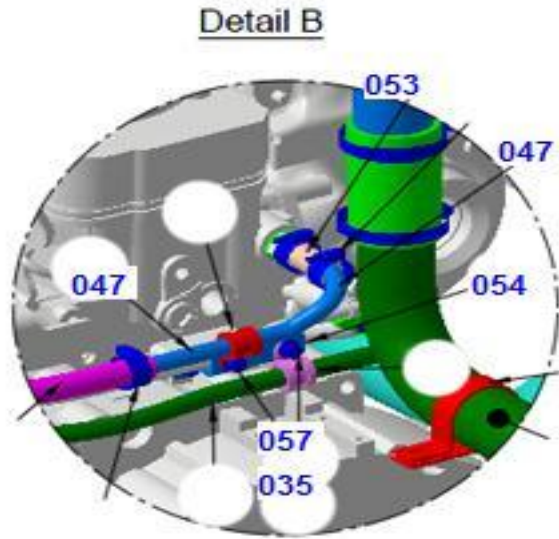
Cooling System

0202

**0202**

**Cooling System**

**Radiator Hose & Sub Tank**



Picture No: EPLB3511102-00

POZ	Part No	N.S.N	Code	Part Name (Türkçe)	Part Name (English)	Quantity
				<i>Radiator Hose &amp; Sub Tank</i>		
010	387035057001			SELENOID VALF	VALVE SELENOID	1
027	305302032601			KELEPCE, VIDALI B12, Ø20-32, DIN3017	CLAMP, W/BOLT B12, Ø20-32, DIN3017	2
030	387014152001			SAC KLIPS	CLIP, METAL SHEET	6
035	300500008601			SOMUN, AKB M8X1. 25, KALIN D. DIN934	NUT, HEX M8X1. 25, COARSE T. DIN934	18
041	387038681001			KLIPS, VIDALI M8	CLIP	6
047	387042796001			BORU, ENJEKTOR SOGUTMA	PIPE, INJECTOR COOLING	1
052	387037266001			ADAPTOR, Y, 16-16-10	ADAPTOR, Y, 16-16-10	2
053	387042820001			HORTUM	HOSE	1
054	387042824001			BRAKET	BRACKET	1
057	300120816601			CIVATA, FLN M8X1. 25X16, KALIN D. DIN6921	BOLT, FLN M8X1. 25X16, COARSE T. DIN6921	4

Radiator Hose &amp; Sub Tank

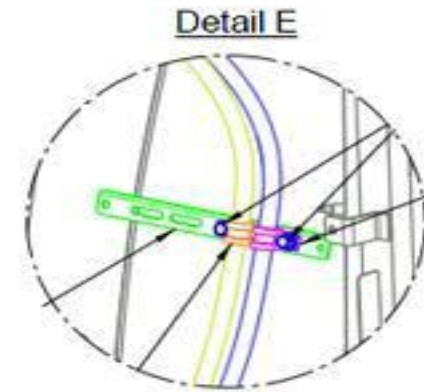
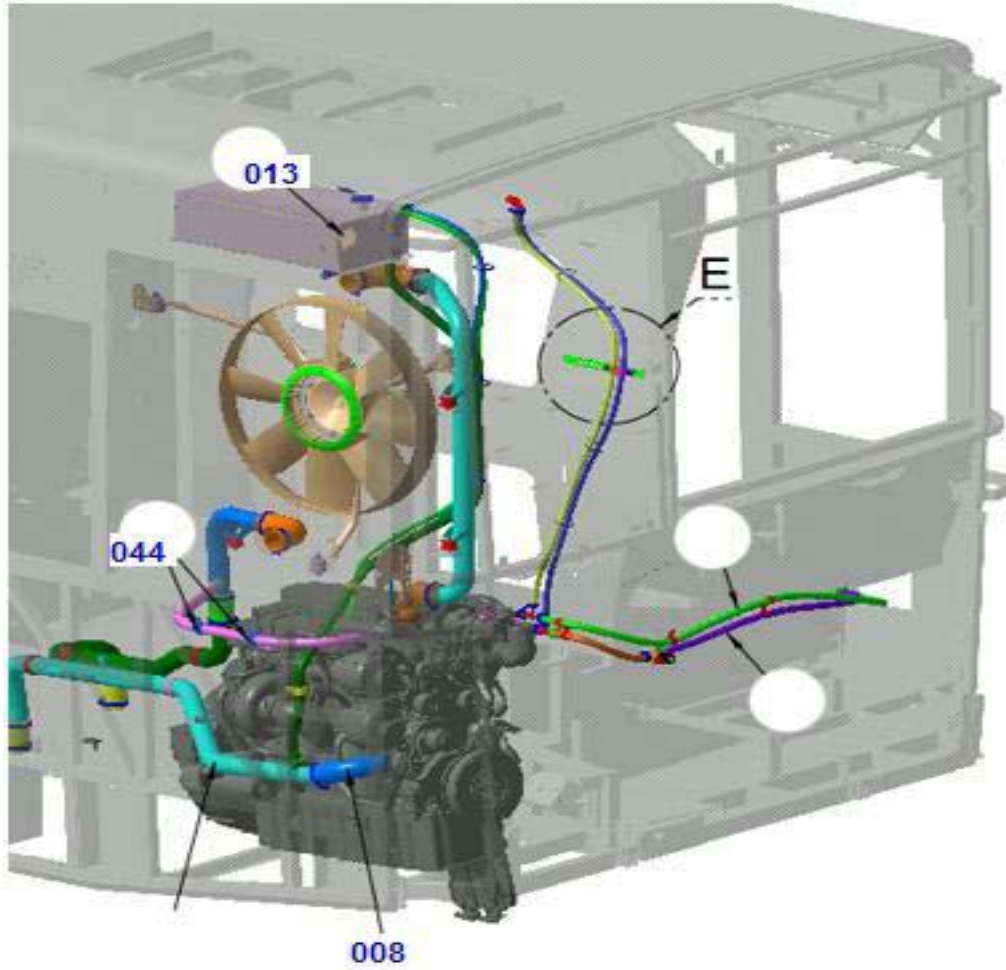
Cooling System

0202

**0202**

**Cooling System**

**Radiator Hose & Sub Tank**



Picture No: EPLB3511103-00



POZ	Part No	N.S.N	Code	Part Name (Türkçe)	Part Name (English)	Quantity
				<i>Radiator Hose &amp; Sub Tank</i>		
008	387033437151			HORTUM, MOTOR SU GIRIS	HOSE, ENGINE WATER INLET	1
013	387039035001			KAPAK, GENLESME TANKI	DEGAS BOTTLE LID	1
044	387012341001			KELEPCE	CLAMP	2

Radiator Hose &amp; Sub Tank

Cooling System

0202

Bölüm Sonu

---

ANADOLU ISUZU OTOMOTIV SAN. TIC. A.S.

**ISUZU**



ANADOLU GRUBU

CITIPORT AT E6

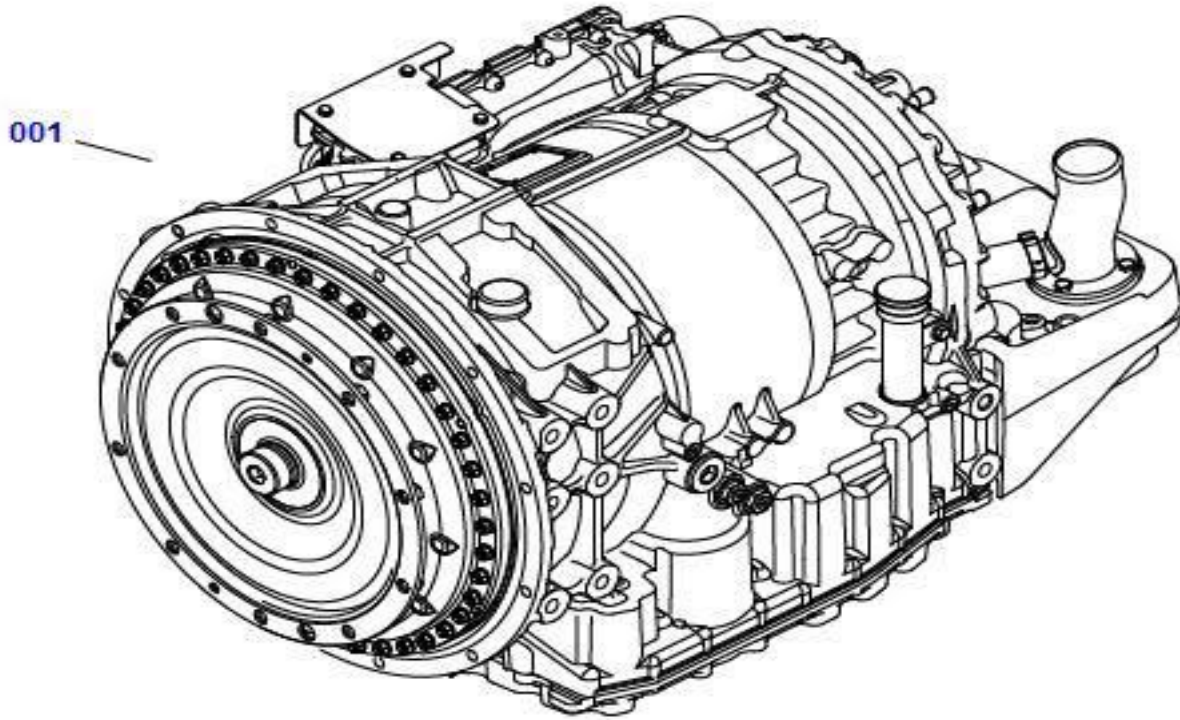
03-Transmission-Shift



**0301**

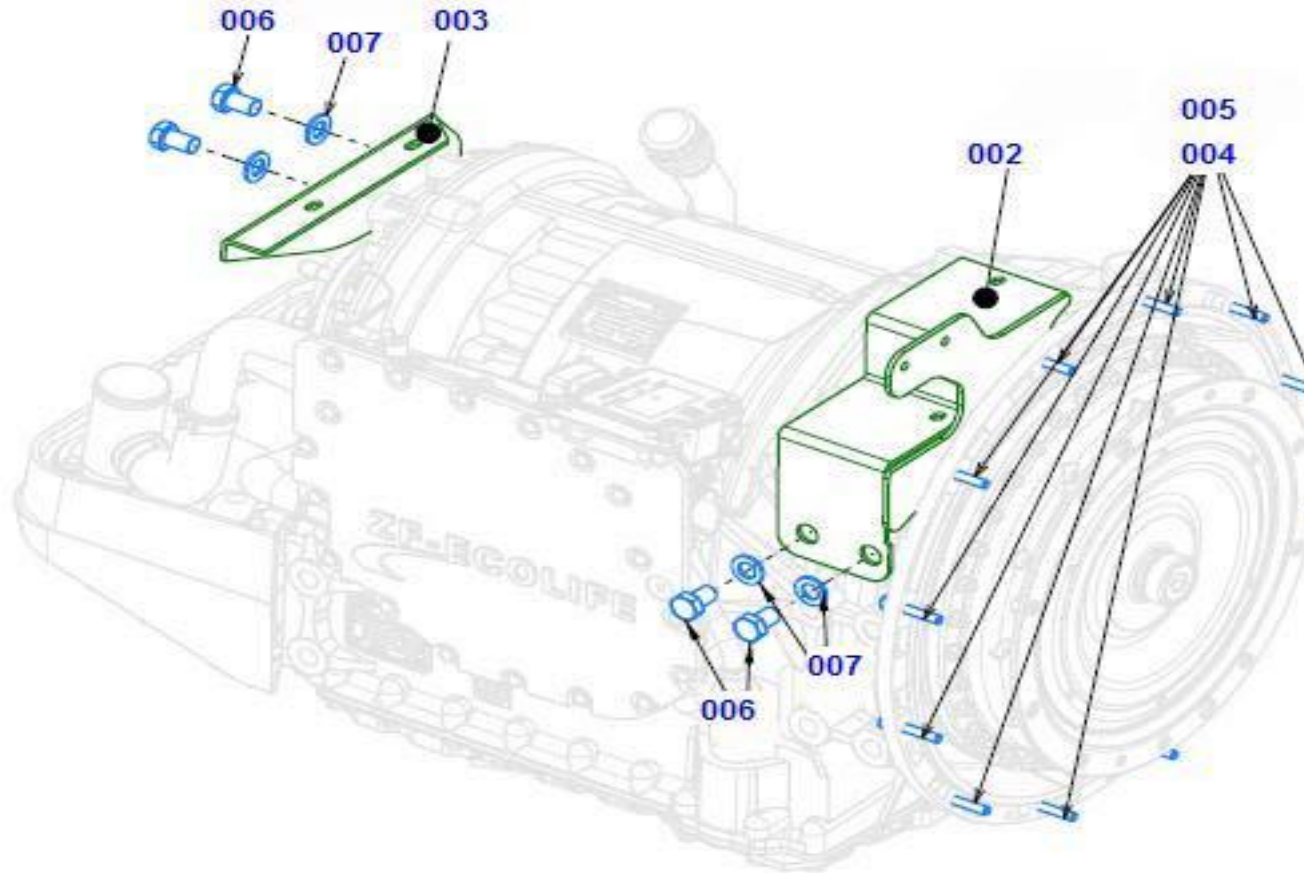
**Transmission-Shift**

**Auto Transmission**



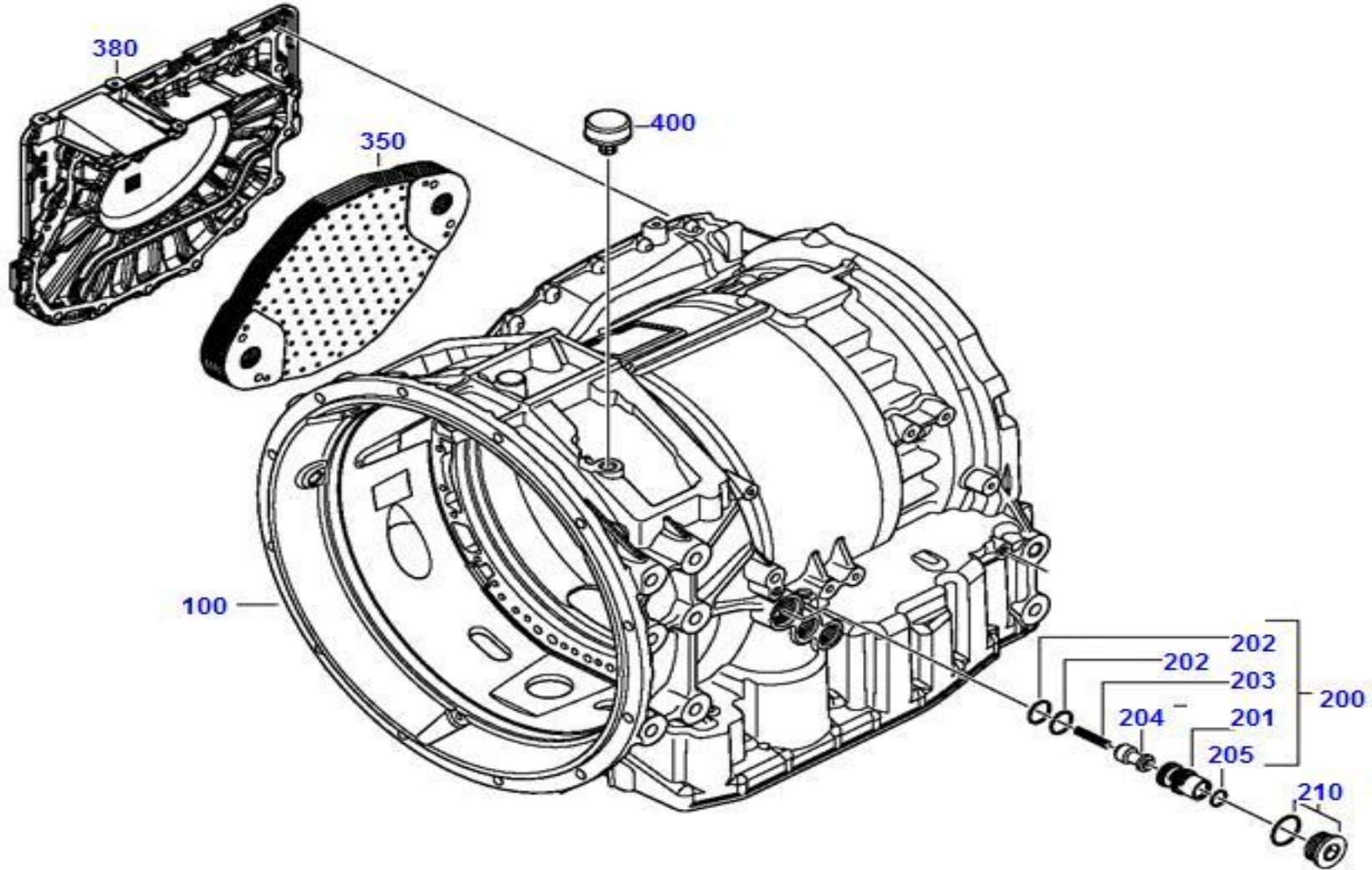
Picture No: 4181002303-001

POZ	Part No	N.S.N	Code	Part Name (Türkçe)	Part Name (English)	Quantity
001	387044952051			<i>Auto Transmission</i> SANZIMAN KOMPLE, ZF ECOLIFE 1200B	TRANSMISSION ZF ECOLIFE 1200B	1
Auto Transmission				Transmission-Shift		0301

**0301****Transmission-Shift****Auto Transmission**

Picture No: EPL342400100-00

POZ	Part No	N.S.N	Code	Part Name (Türkçe)	Part Name (English)	Quantity
				<i>Auto Transmission</i>		
002	387033578001			BRAKET, SANZIMANA BAGLANTI KOMPLE	BRACKET, LINK TO TRANSMISSION	1
003	387033618001			BRAKET, SANZIMANA BAGLANTI	BRACKET, LINK TO TRANSMISSION	1
004	300051050401			CIVATA, AKB M10X1. 5X50, KALIN D. DIN933	BOLT, HEX M10X1. 5X50, COARSE T. DIN933	12
005	301000008201			RONDELA, DUZ D=8 DIN 125	WASHER, PLAIN D= 8 DIN 125	12
006	300041625601			CIVATA, AKB M16X1. 5X25, INCE D. DIN960	BOLT, HEX M16X1. 5X25, FINE T. DIN960	4
007	301000016601			RONDELA, DUZ D=16 DIN 125	WASHER	4
<b>Auto Transmission</b>				<b>Transmission-Shift</b>		<b>0301</b>

**0301****Transmission-Shift****Auto Transmission**

Picture No: ISZFA1001

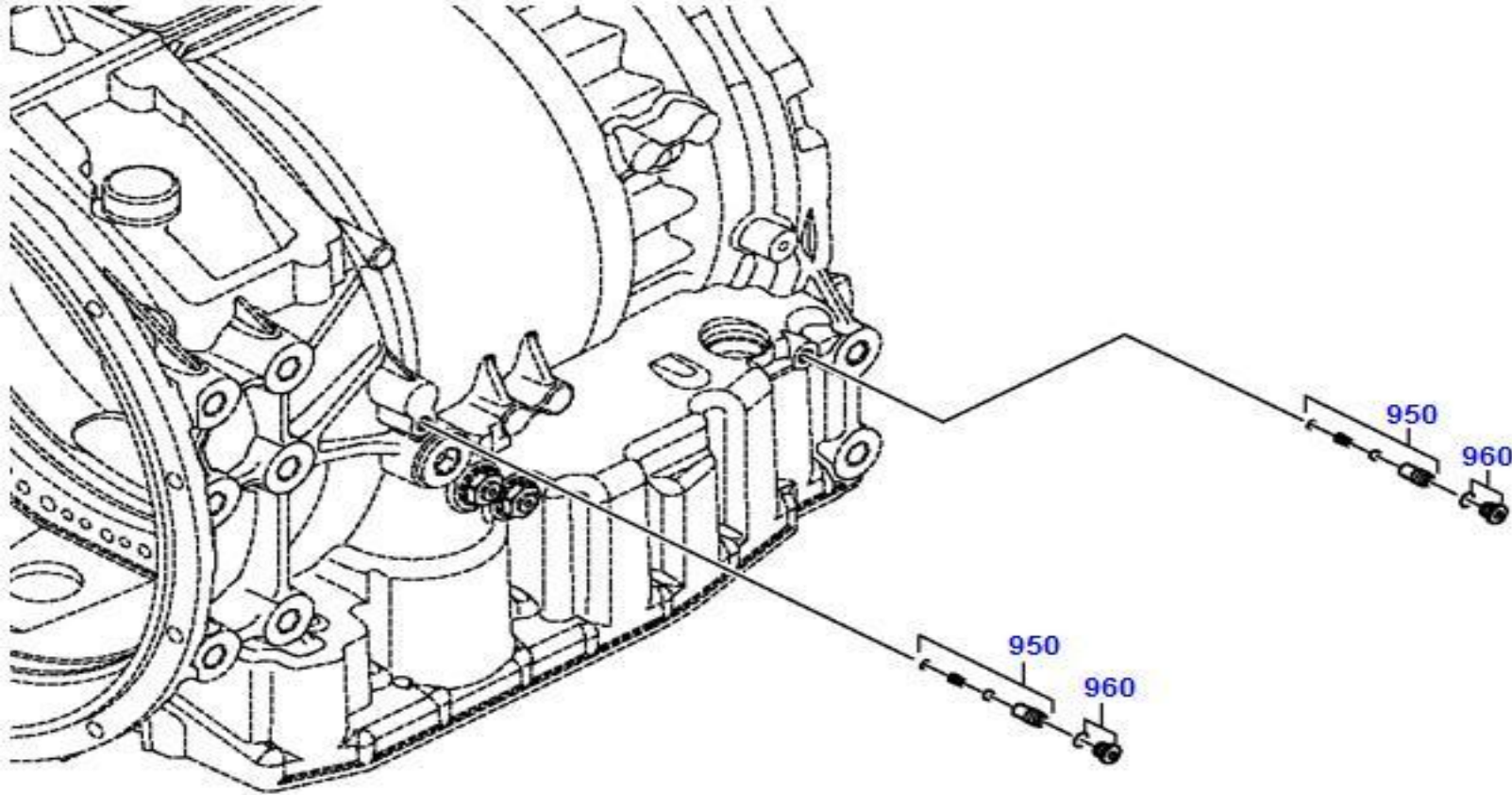
POZ	Part No	N.S.N	Code	Part Name (Türkçe)	Part Name (English)	Quantity
				<i>Auto Transmission</i>		
000	4181.102.850			CLOSING COMPONENTS	CLOSING COMPONENTS	
000	4181.102.805			CLOSING COMPONENTS	CLOSING COMPONENTS	
000	4181.184.050			OIL TUBE	OIL TUBE	
000	4181.184.851			HEAT EXCHANGER	HEAT EXCHANGER	
000	4181.184.801			HEAT EXCHANGER	HEAT EXCHANGER	
000	4181.184.822			COVER	COVER	
000	0636.100.228			SCREW PLUG	SCREW PLUG	
000	4181.107.050			ACCUMULATOR	ACCUMULATOR	
000	4181.107.850			ACCUMULATOR	ACCUMULATOR	
000	4181.108.007			OIL TUBE	OIL TUBE	
000	4181.108.803			OIL TUBE	OIL TUBE	
000	4181.108.054			MANIFOLD	MANIFOLD	
000	4181.108.850			MANIFOLD	MANIFOLD	
000	4181.108.051			OIL TUBE	OIL TUBE	
000	4181.108.854			OIL TUBE	OIL TUBE	
100	4181.202.049			GETR.GEHAEUSE	SCREW PLUG	
200	4181.205.007			BYPASSVENTIL	BY-PASS VALVE	
201	4181.305.004			BUCHSE	BUSH	
202	0501.322.984			O-RING	BALL JOINT	
203	0732.042.935			DRUCKFEDER	COMPRESSION SPRING	
204	4181.305.005			KOLBEN	BUSH	
205	0630.513.120			SPRENGRING	SNAP RING	
210	0636.100.478			VERSCHLUSSSCHRAUBE	CAP SCREW	
210	0501.322.911			O-RING	O-RING	
350	0501.217.916			OELKUEHLER	OIL COOLER	
380	4181.384.100			DECKEL	COVER	
400	0501.327.593			ENTLUEFTER	BREATHER	

Auto Transmission

Transmission-Shift

0301



**0301****Transmission-Shift****Auto Transmission**

Picture No: ISZFA1002

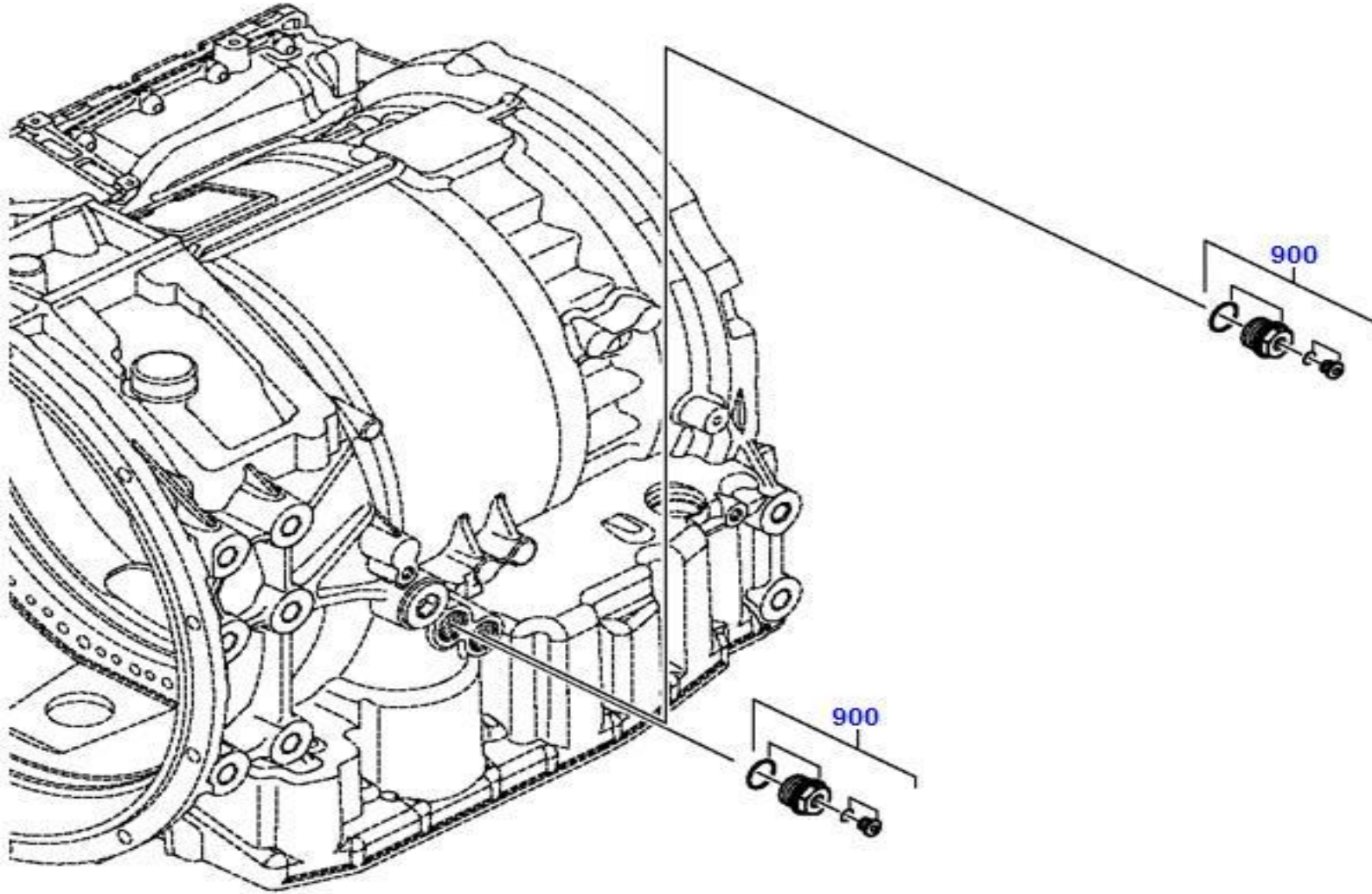
POZ	Part No	N.S.N	Code	Part Name (Türkçe)	Part Name (English)	Quantity
				<i>Auto Transmission</i>		
950	4139.201.419			VENTİL	VALVE	
960	0636.100.793			VERSCHLUSSSCHRAUBE	CAP SCREW	
960	0501.322.905			O-RING	BALL JOINT	
<b>Auto Transmission</b>				<b>Transmission-Shift</b>		<b>0301</b>



**0301**

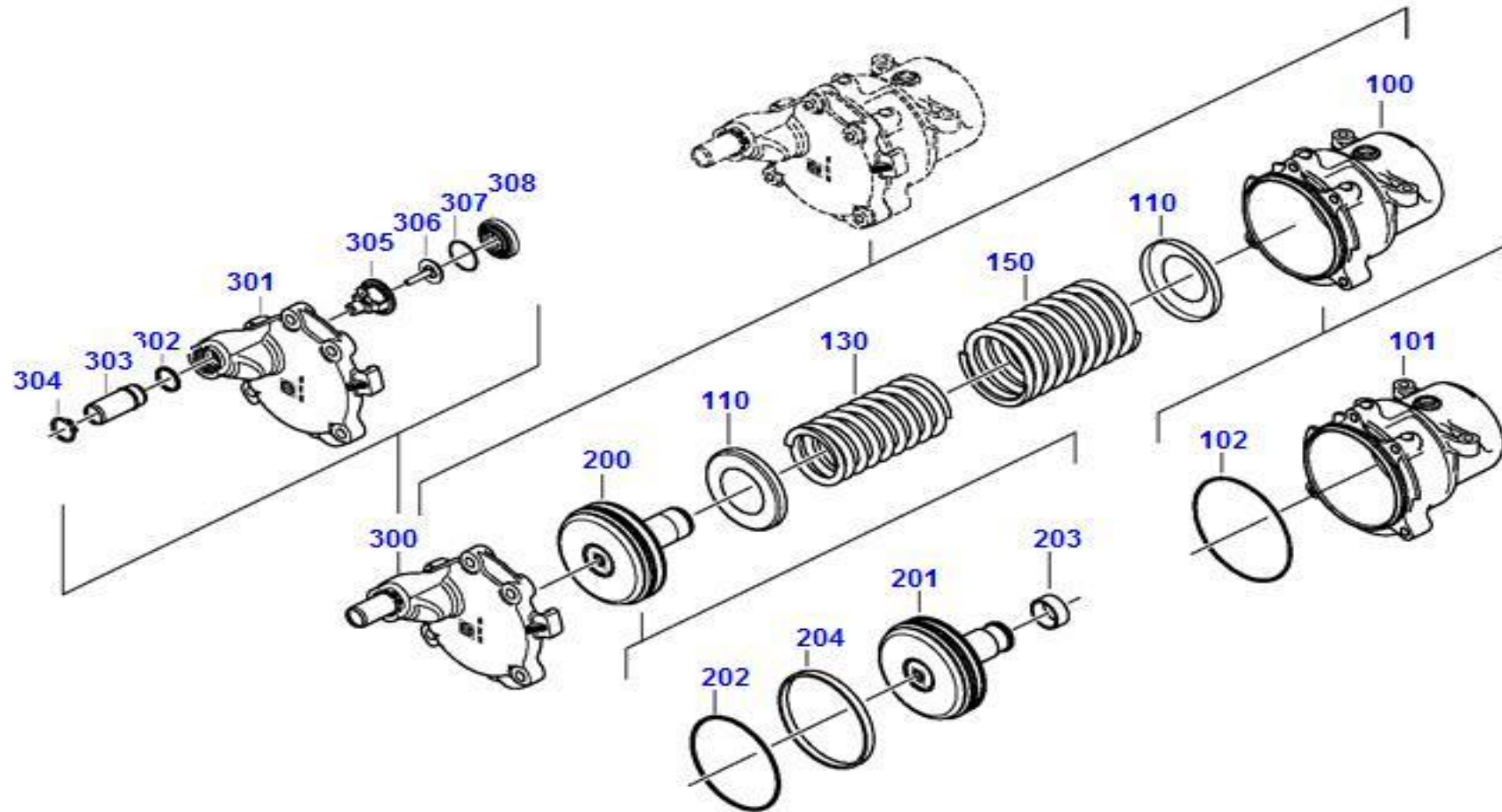
**Transmission-Shift**

**Auto Transmission**



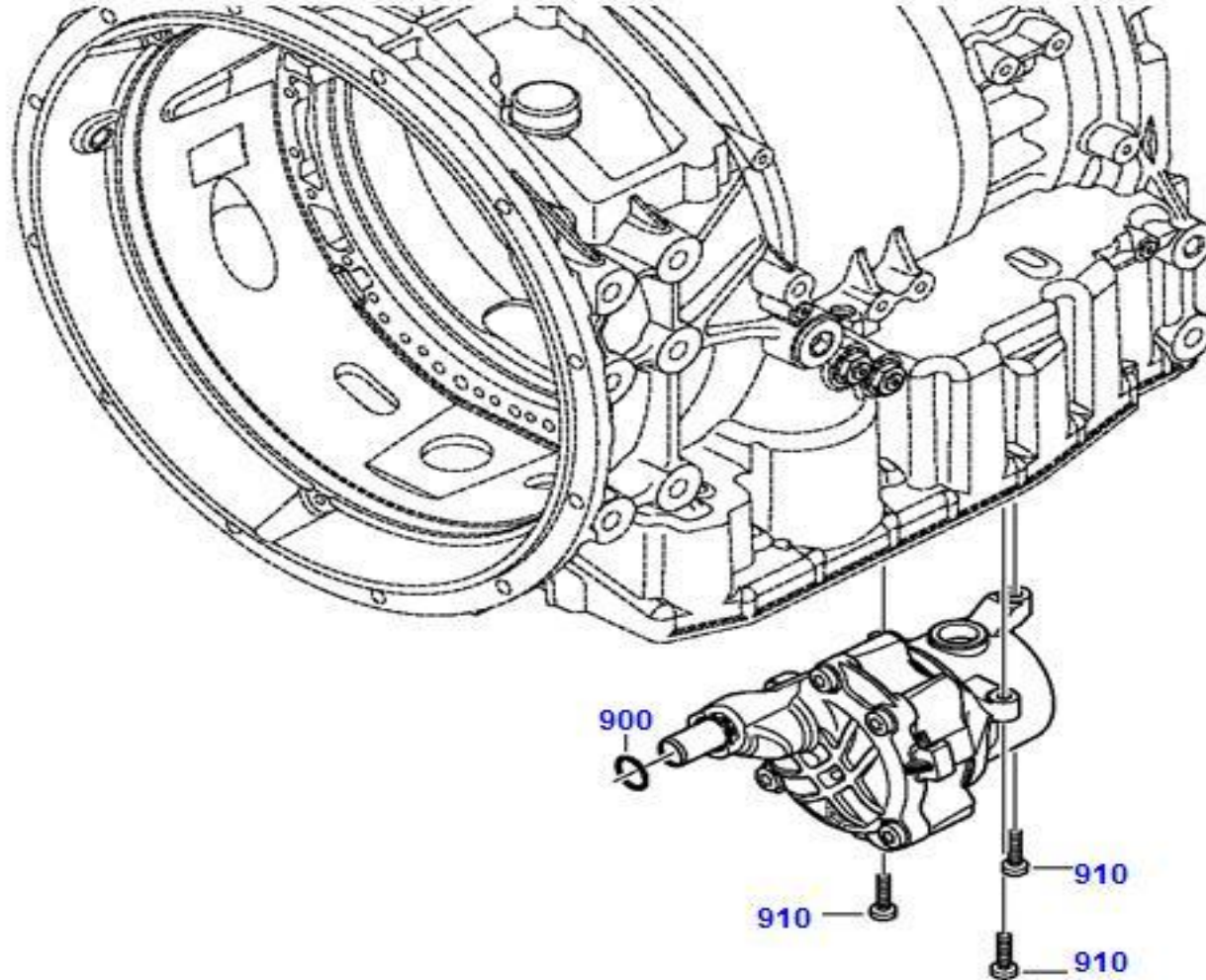
Picture No: ISZFA1003



**0301****Transmission-Shift****Auto Transmission**

Picture No: ISZFA1004

POZ	Part No	N.S.N	Code	Part Name (Türkçe)	Part Name (English)	Quantity
				<i>Auto Transmission</i>		
000	4181.107.803			COVER	COVER	
100	4181.207.017			ZYLINDER	COVER	
101	4181.307.031			ZYLINDER	CYLINDER	
102	0501.322.935			O-RING	BALL JOINT	
110	4181.307.024			HALTEBLECH	CYLINDER	
130	0732.042.968			DRUCKFEDER	COMPRESSION SPRING	
150	0732.042.969			DRUCKFEDER	COMPRESSION SPRING	
200	4181.207.007			KOLBEN	COVER	
201	4181.307.012			KOLBEN	CYLINDER	
202	0501.324.121			DICHTRING	BRAKE CYLINDER	
203	0730.113.402			FUEHRUNGSRING	AXIAL WASHER	
204	0730.113.403			FUEHRUNGSRING	AXIAL WASHER	
300	4181.207.008			DECKEL	COVER	
301	4181.307.013			COVER	COVER	
302	0501.322.913			O-RING	BALL JOINT	
303	4181.307.029			OIL TUBE	OIL TUBE	
304	0501.331.279			RETAINING RING	RETAINING RING	
305	4181.307.034			CAGE	CAGE	
306	4181.307.015			PISTON	PISTON	
307	0501.322.978			O-RING	BALL JOINT	
308	4181.307.032			THREADED INSERT	THREADED INSERT	
<b>Auto Transmission</b>				<b>Transmission-Shift</b>		<b>0301</b>

**0301****Transmission-Shift****Auto Transmission**

Picture No: ISZFA1005



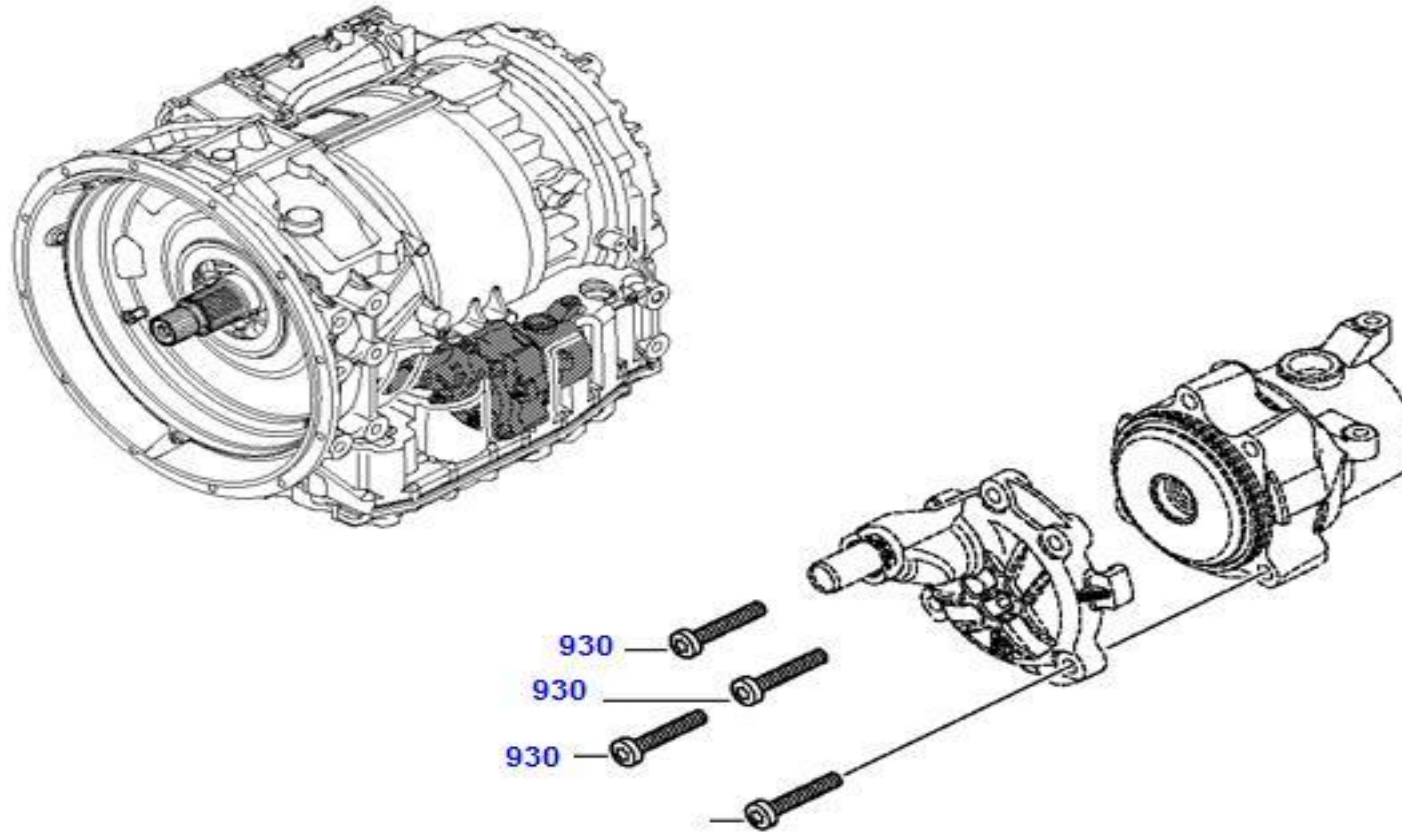
POZ	Part No	N.S.N	Code	Part Name (Türkçe)	Part Name (English)	Quantity
				<i>Auto Transmission</i>		
900	0501.322.913			O-RING	BALL JOINT	
910	0736.300.200			SECHSRUNDSCHR.	CAP SCREW	

**Auto Transmission**

**Transmission-Shift**

**0301**

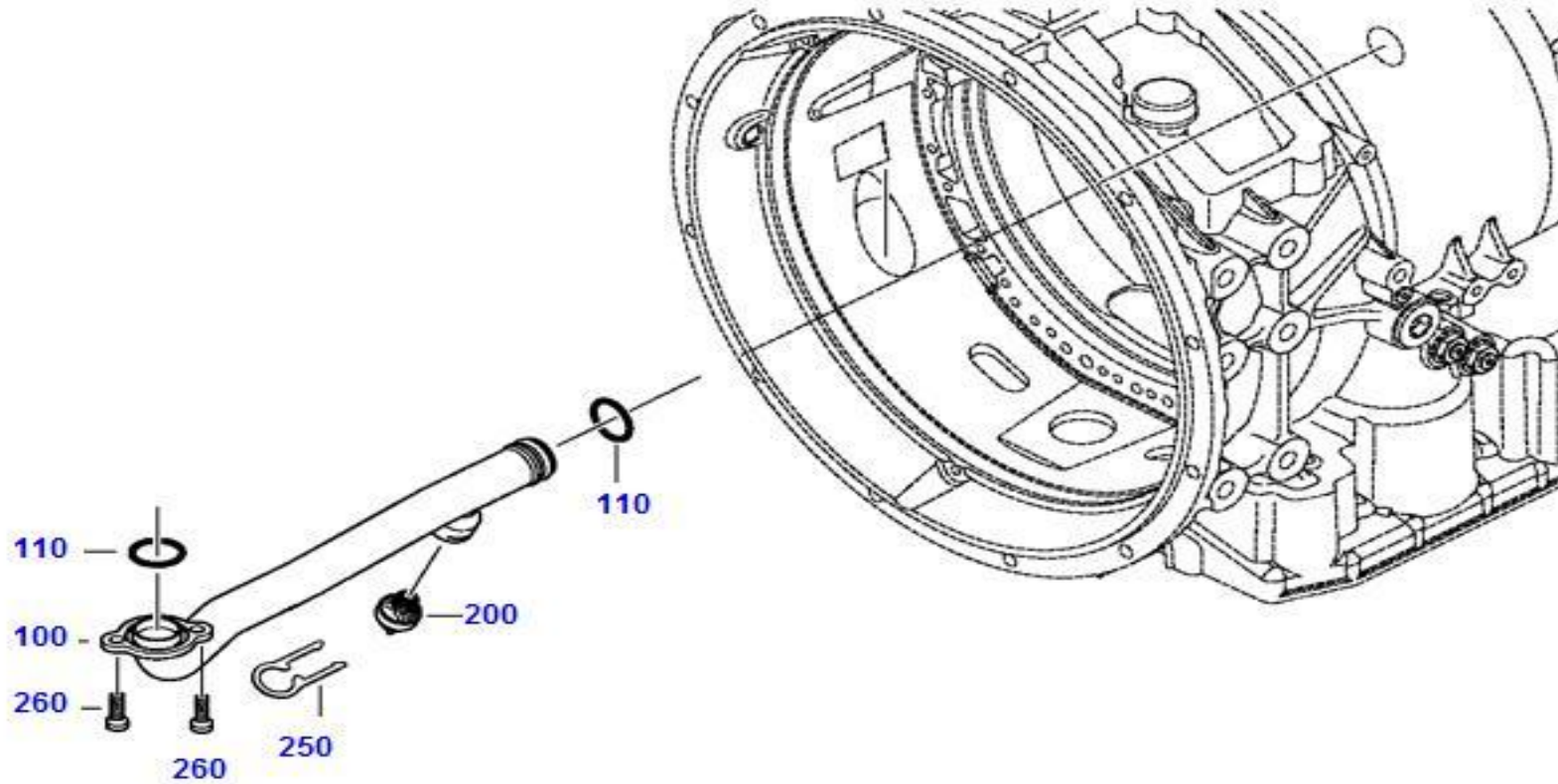


**0301****Transmission-Shift****Auto Transmission**

Picture No: ISZFA1006

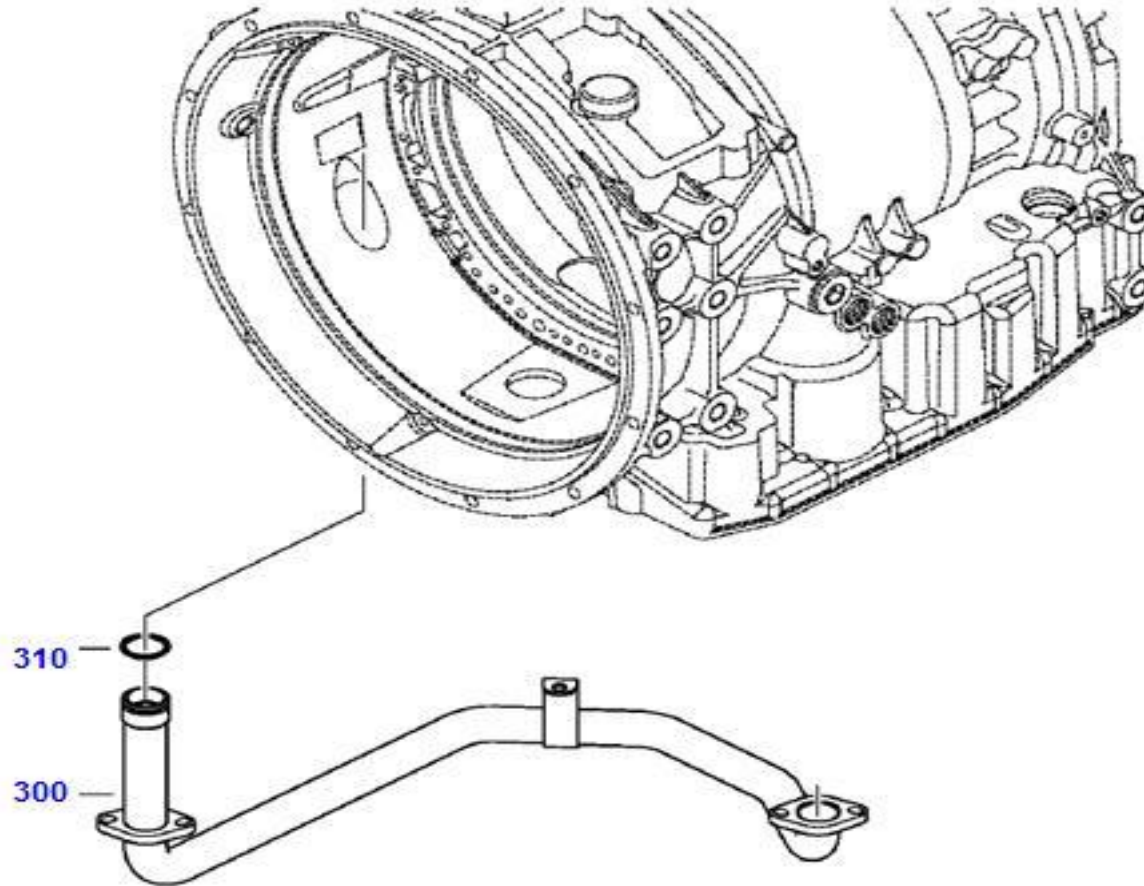
POZ	Part No	N.S.N	Code	Part Name (Türkçe)	Part Name (English)	Quantity
930	0736.300.214			Auto Transmission SECHSRUNDSCHR.	CAP SCREW	
<b>Auto Transmission</b>						
					<b>Transmission-Shift</b>	<b>0301</b>



**0301****Transmission-Shift****Auto Transmission**

Picture No: ISZFA1007

POZ	Part No	N.S.N	Code	Part Name (Türkçe)	Part Name (English)	Quantity
				<i>Auto Transmission</i>		
100	4181.290.025			OELROHR	DISC CARRIER	
110	0501.322.980			O-RING	BALL JOINT	
200	0501.216.222			TEMP.SENSOR	PRESSURE FILTER	
250	4181.308.017			HALTEBUEGEL	MANIFOLD	
260	0736.300.212			SECHSRUNDSCHR.	CAP SCREW	
<b>Auto Transmission</b>				<b>Transmission-Shift</b>		<b>0301</b>

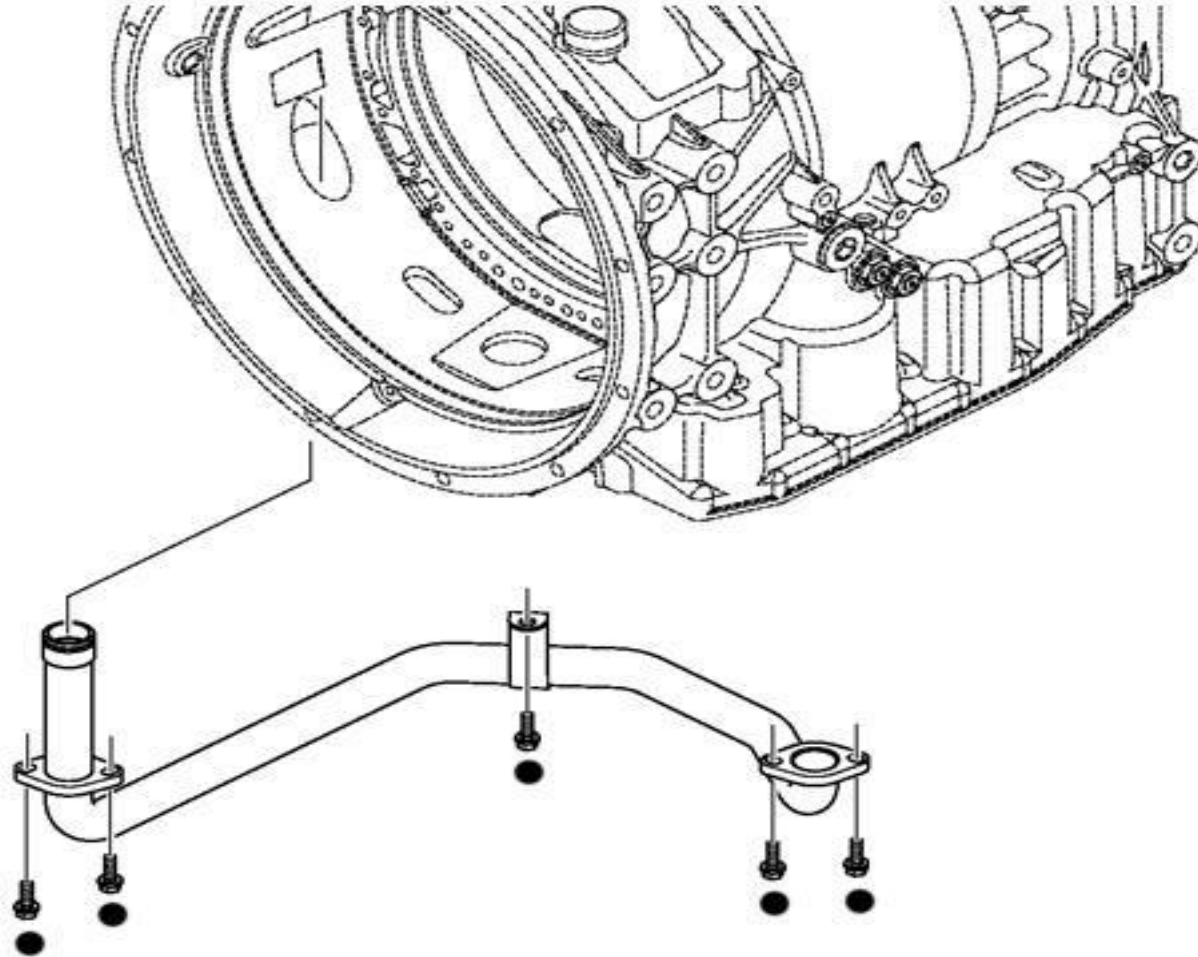
**0301****Transmission-Shift****Auto Transmission**

Picture No: ISZFA1008

POZ	Part No	N.S.N	Code	Part Name (Türkçe)	Part Name (English)	Quantity
				<i>Auto Transmission</i>		
300	4181.290.024			OELROHR	DISC CARRIER	
310	0501.322.980			O-RING	BALL JOINT	
<b>Auto Transmission</b>				<b>Transmission-Shift</b>		<b>0301</b>

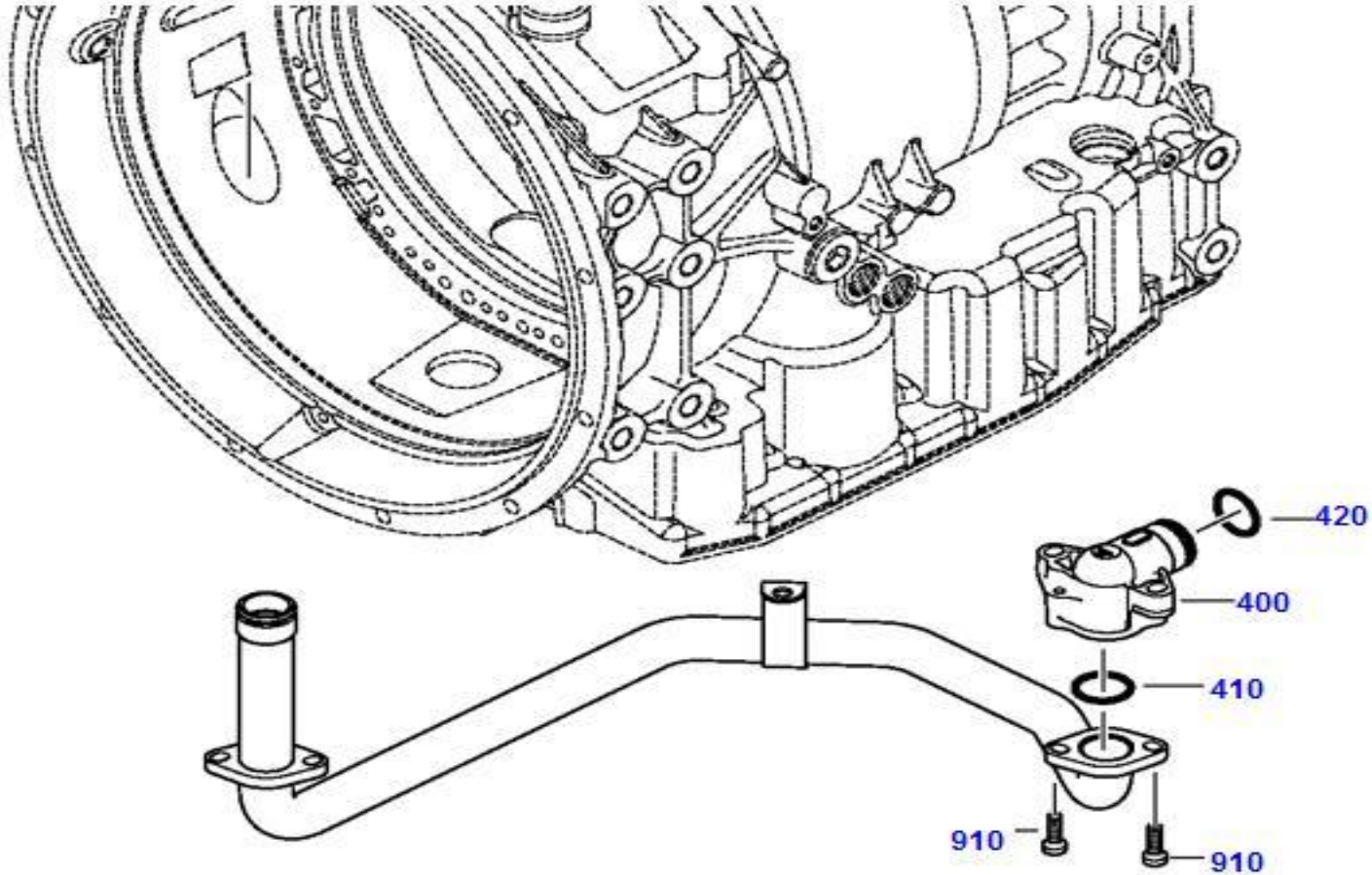
**0301****Transmission-Shift****Auto Transmission**

● 101



Picture No: ISZFA1009

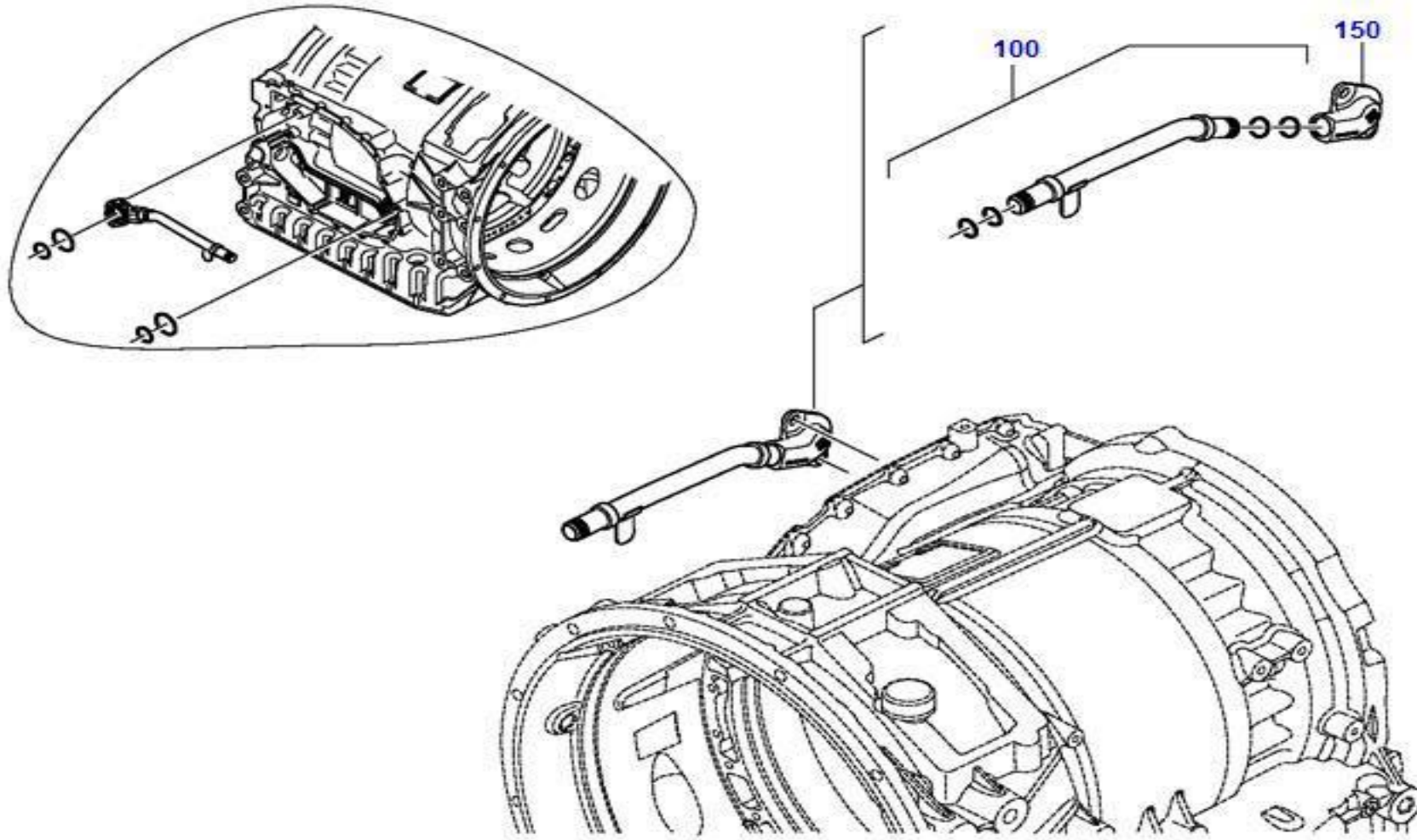
POZ	Part No	N.S.N	Code	Part Name (Türkçe)	Part Name (English)	Quantity
101	0736.300.533			<i>Auto Transmission</i> SECHSRUNDSCHR.	CAP SCREW	
Auto Transmission				Transmission-Shift		0301

**0301****Transmission-Shift****Auto Transmission**

Picture No: ISZFA1010

POZ	Part No	N.S.N	Code	Part Name (Türkçe)	Part Name (English)	Quantity
				<i>Auto Transmission</i>		
400	4181.308.038			KRUEMMER	MANIFOLD	
410	0501.324.927			O-RING	BRAKE CYLINDER	
420	0501.322.980			O-RING	BALL JOINT	
910	0736.300.200			SECHSRUNDSCHR.	CAP SCREW	
Auto Transmission				Transmission-Shift		0301



**0301****Transmission-Shift****Auto Transmission**

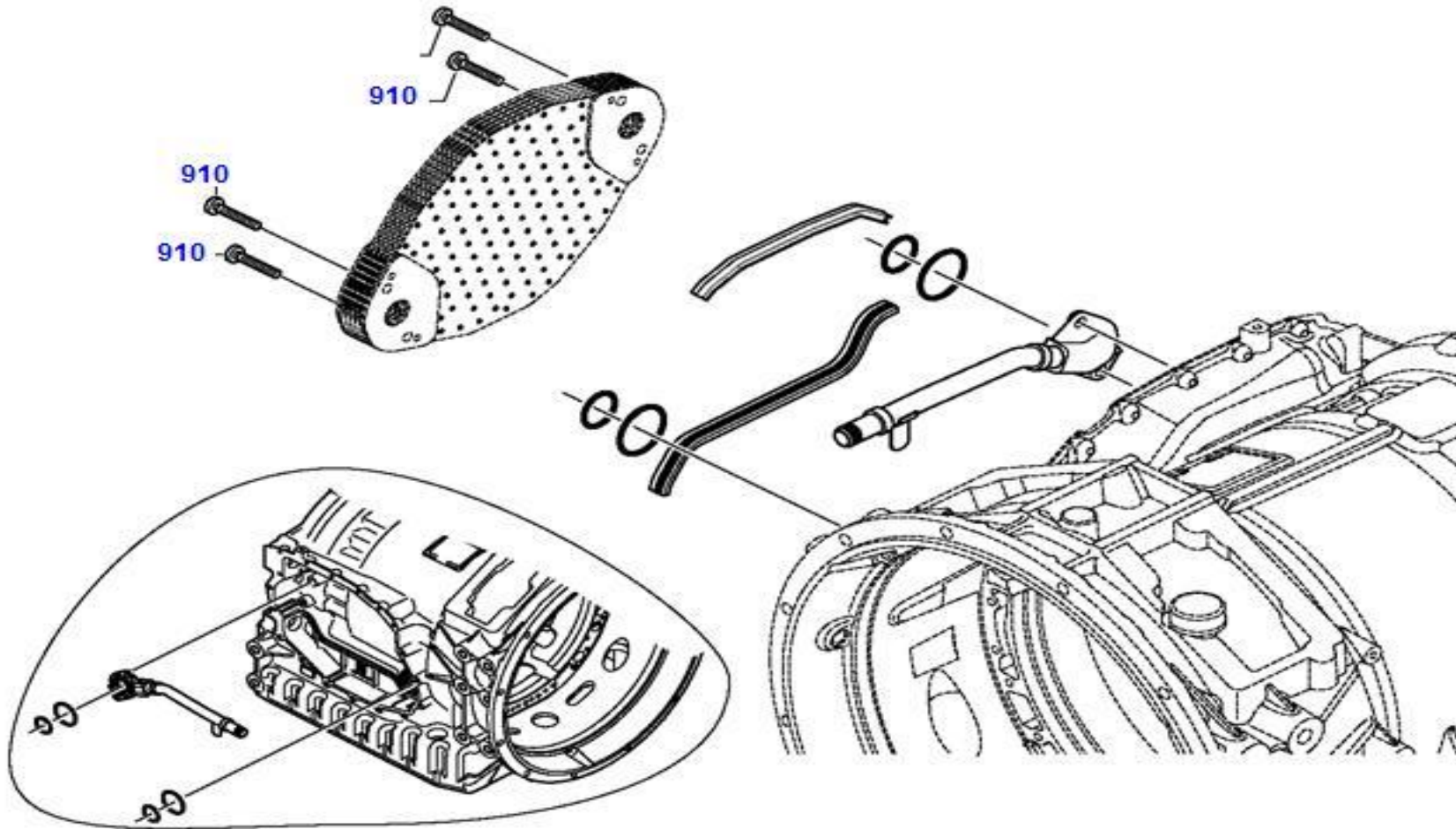
Picture No: ISZFA1011



**0301**

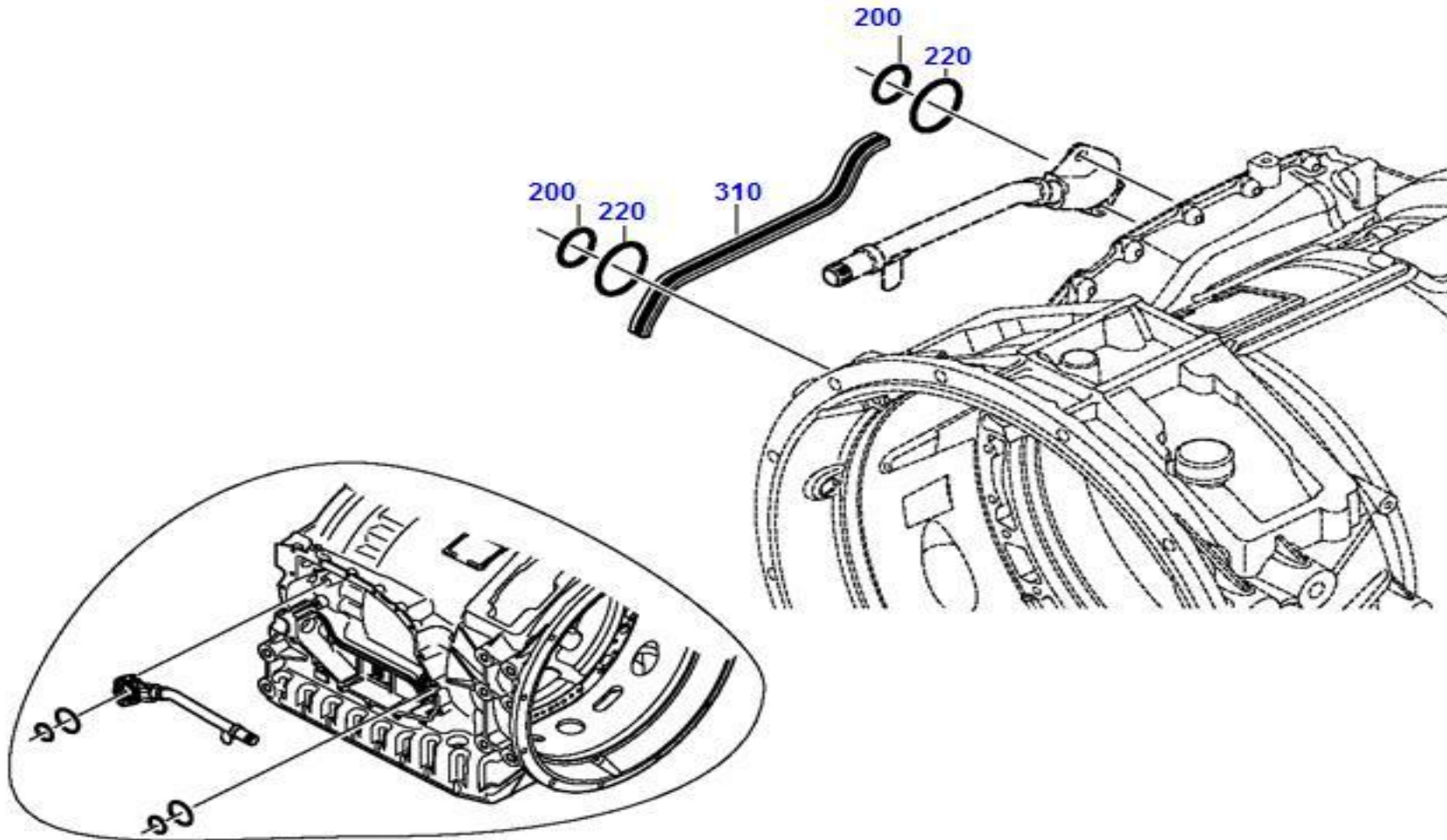
**Transmission-Shift**

**Auto Transmission**



Picture No: ISZFA1012

POZ	Part No	N.S.N	Code	Part Name (Türkçe)	Part Name (English)	Quantity
910	0736.300.201			<i>Auto Transmission</i> SECHSRUNDSCHR.	CAP SCREW	
Auto Transmission				Transmission-Shift		0301

**0301****Transmission-Shift****Auto Transmission**

Picture No: ISZFA1013

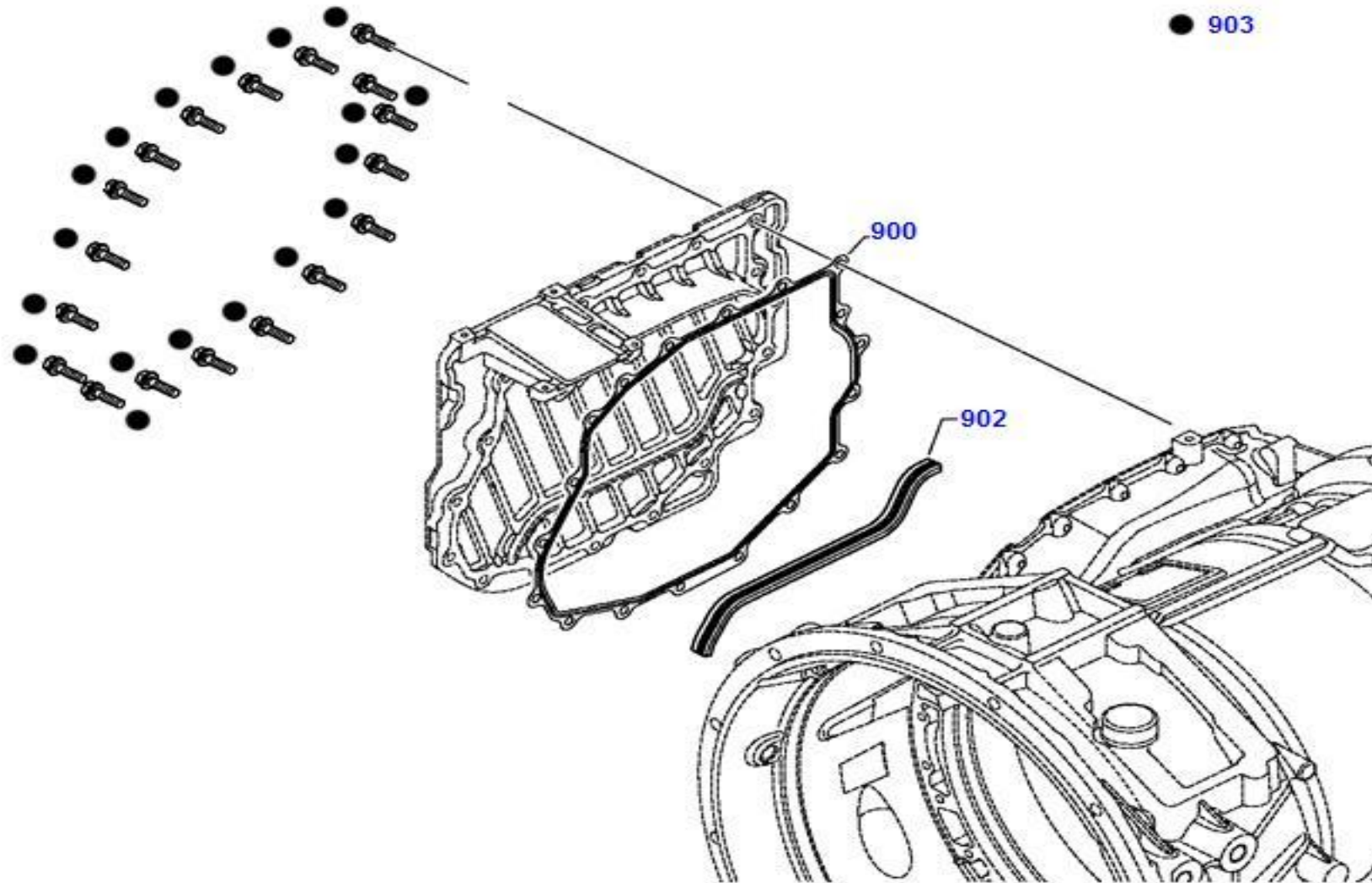
POZ	Part No	N.S.N	Code	Part Name (Türkçe)	Part Name (English)	Quantity
				<i>Auto Transmission</i>		
200	0501.328.491			PROFILE SEALING RING	PROFILE SEALING RING	
220	0501.328.492			PROFILE SEALING RING	PROFILE SEALING RING	
310	0501.322.847			DICHTUNG	BALL JOINT	
<b>Auto Transmission</b>				<b>Transmission-Shift</b>		<b>0301</b>



0301

Transmission-Shift

Auto Transmission



Picture No: ISZFA1014

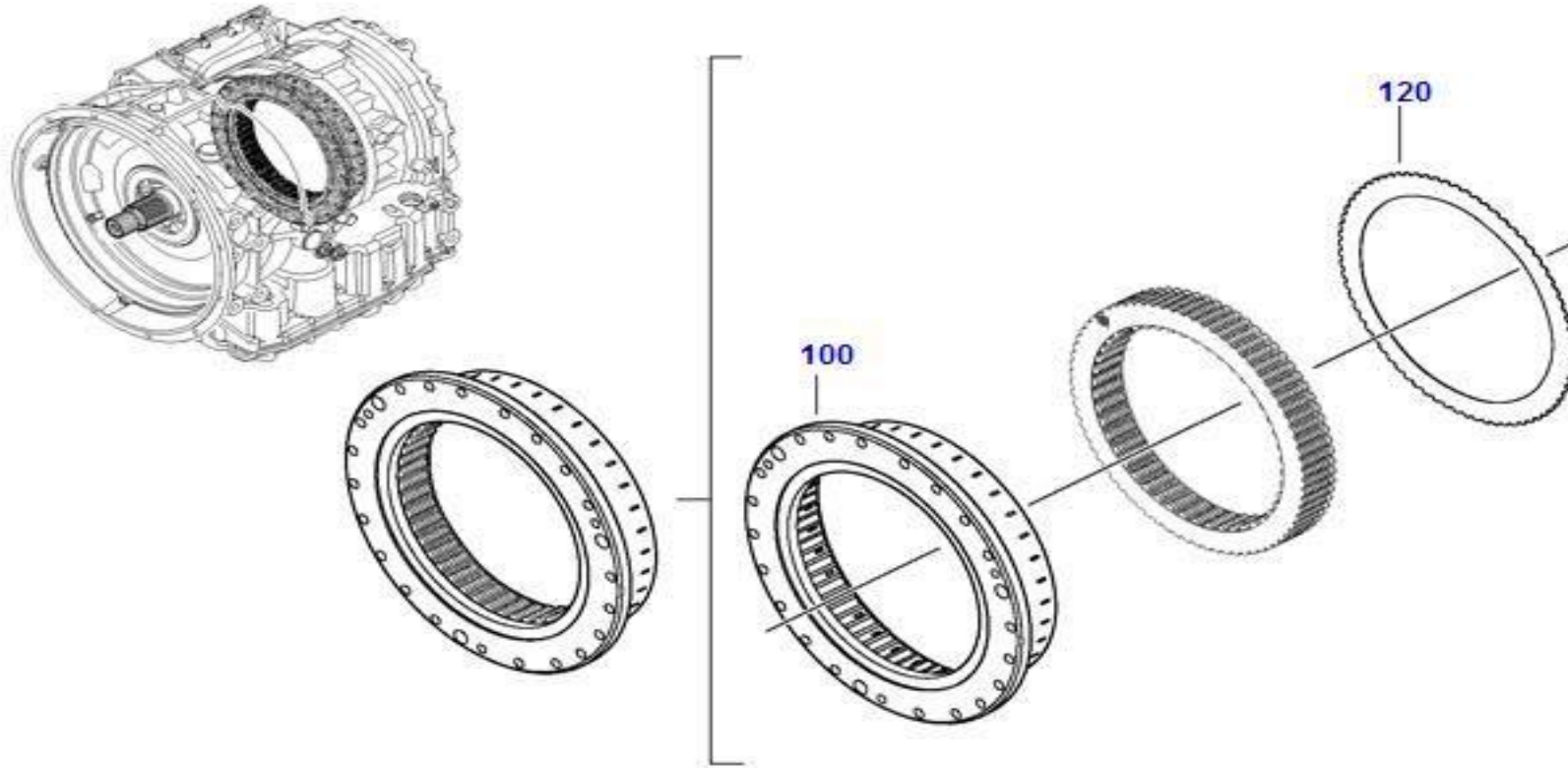
POZ	Part No	N.S.N	Code	Part Name (Türkçe)	Part Name (English)	Quantity
				<i>Auto Transmission</i>		
900	0501.324.263			DICHTUNG	BRAKE CYLINDER	
902	0501.322.847			DICHTUNG	BALL JOINT	
903	0636.100.442			6KT.SCHRAUBE	CAP SCREW	
Auto Transmission				Transmission-Shift		0301



**0301**

**Transmission-Shift**

**Auto Transmission**



Picture No: ISZFA1015

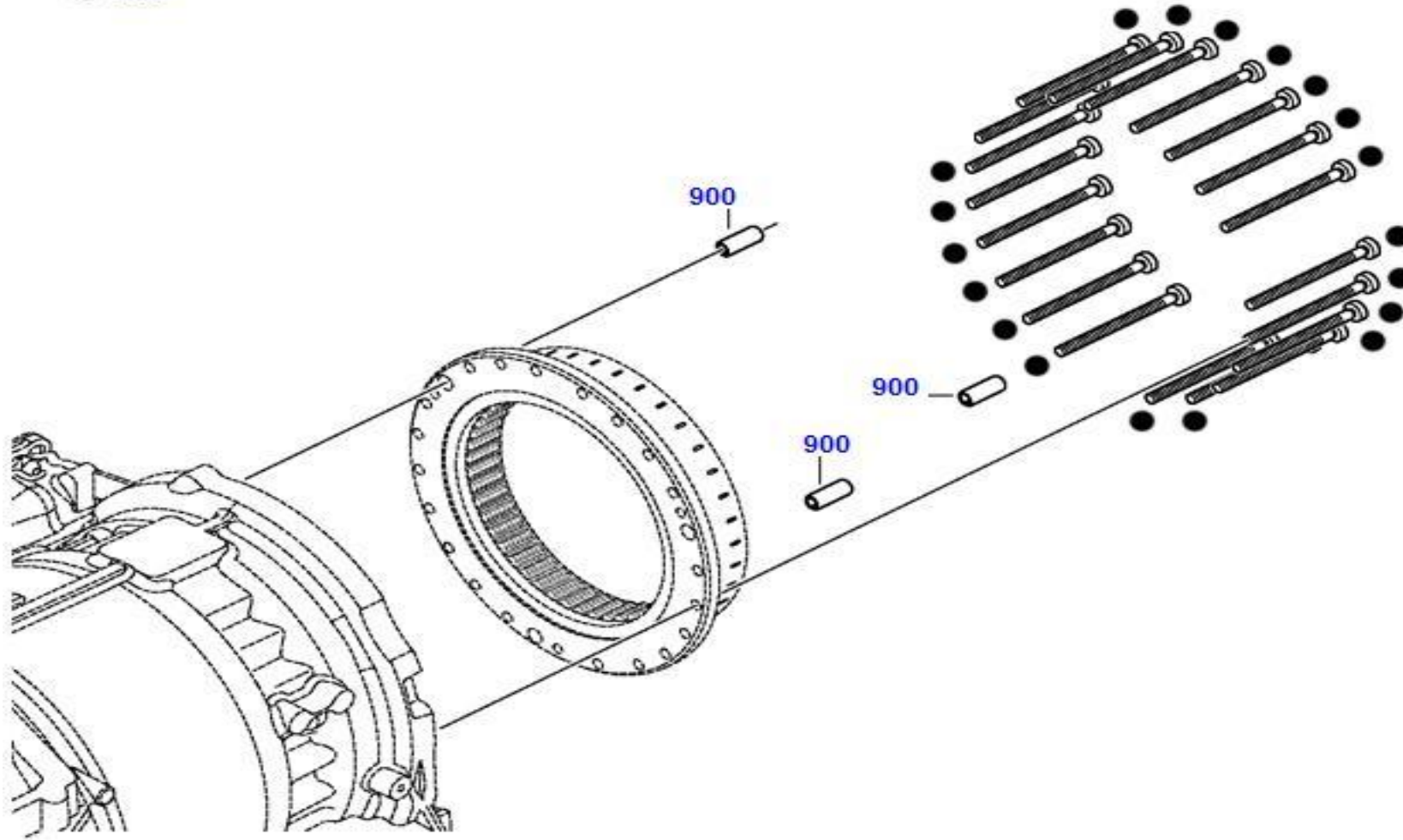
POZ	Part No	N.S.N	Code	Part Name (Türkçe)	Part Name (English)	Quantity
				<i>Auto Transmission</i>		
000	4181.128.010			MULTIDISK PACKAGE	MULTIDISK PACKAGE	
100	4181.290.063			DISC CARRIER	DISC CARRIER	
120	4181.303.032			WELLFEDER	WAVE SPRING	
Auto Transmission				Transmission-Shift		0301

**0301**

**Transmission-Shift**

**Auto Transmission**

● 910



Picture No: ISZFA1016

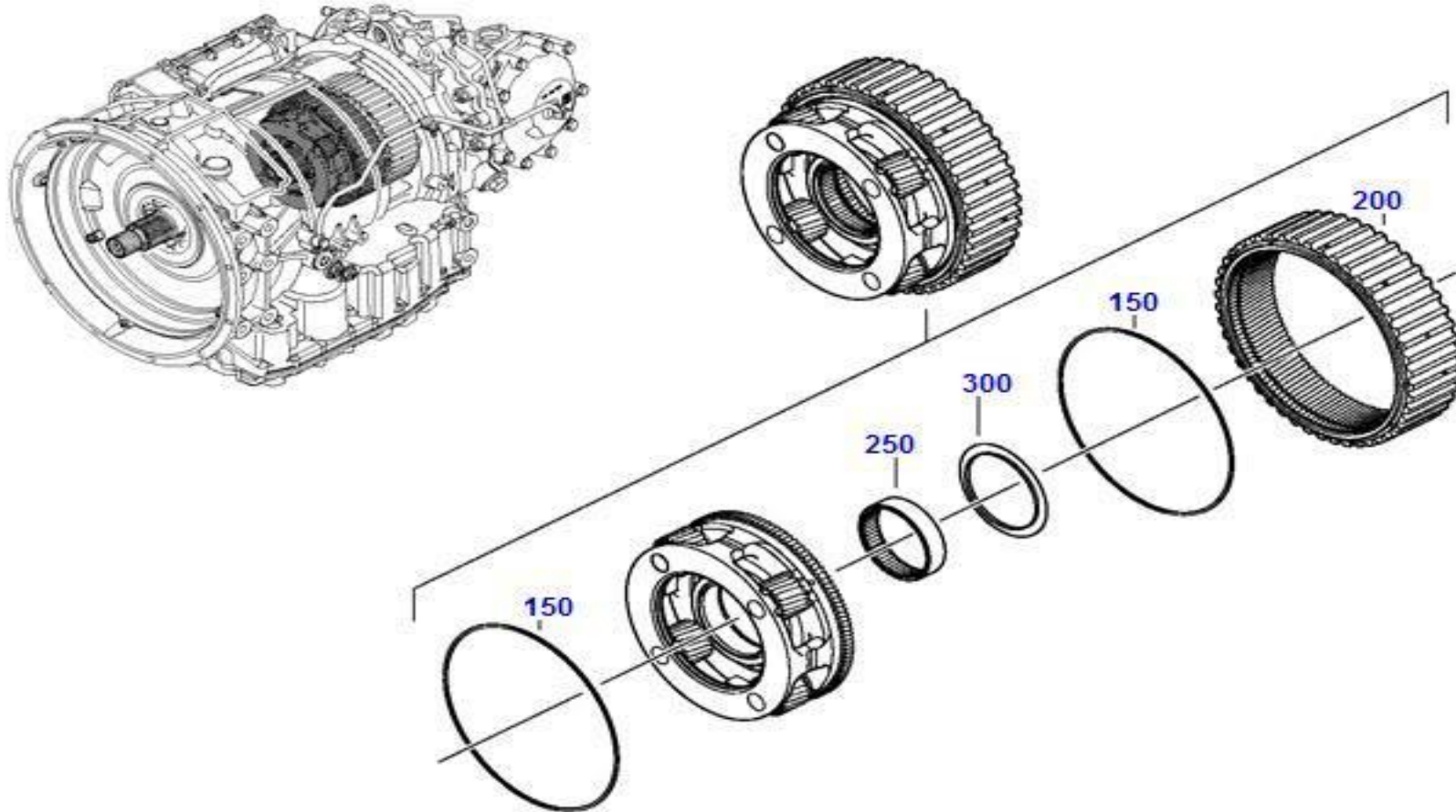


POZ	Part No	N.S.N	Code	Part Name (Türkçe)	Part Name (English)	Quantity
				<i>Auto Transmission</i>		
900	0501.321.982			SPANNSTIFT	ANGLE DISC	
910	0736.300.568			ZYL.SCHRAUBE	CAP SCREW	
Auto Transmission				Transmission-Shift		0301

**0301**

**Transmission-Shift**

**Auto Transmission**



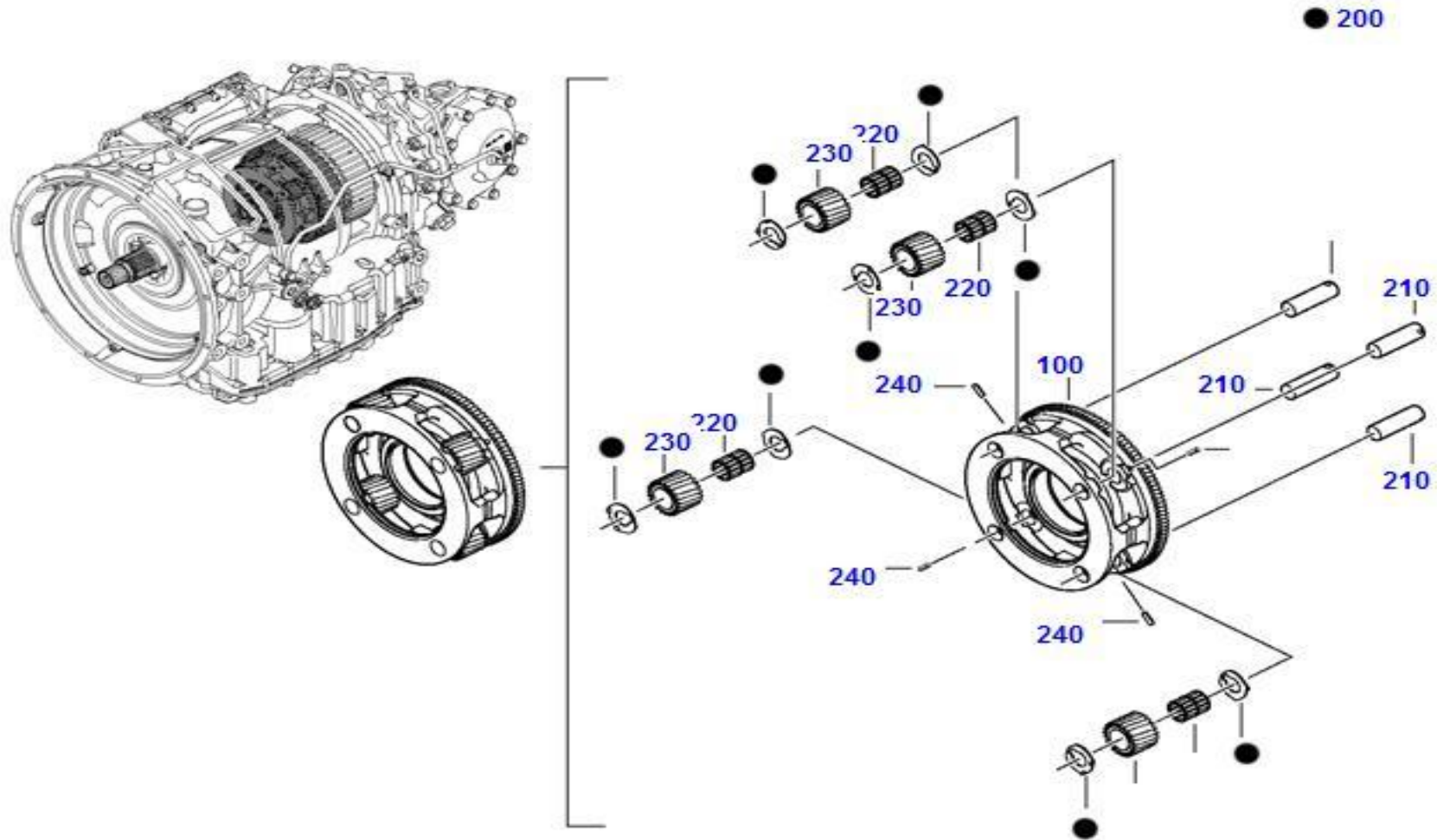
Picture No: ISZFA1017

POZ	Part No	N.S.N	Code	Part Name (Türkçe)	Part Name (English)	Quantity
				<i>Auto Transmission</i>		
000	4181.125.011			PLANET CARRIER	PLANET CARRIER	
150	0730.501.734			SICHERUNGSRING	RETAINING RING	
200	4181.322.016			HOHLRAD	BEARING PIN	
250	0735.298.323			NADELHUELSE	NEEDLE SLEEVE	
300	0501.321.433			WINKELSCHEIBE	ANGLE DISC	
<b>Auto Transmission</b>				<b>Transmission-Shift</b>		<b>0301</b>

**0301**

**Transmission-Shift**

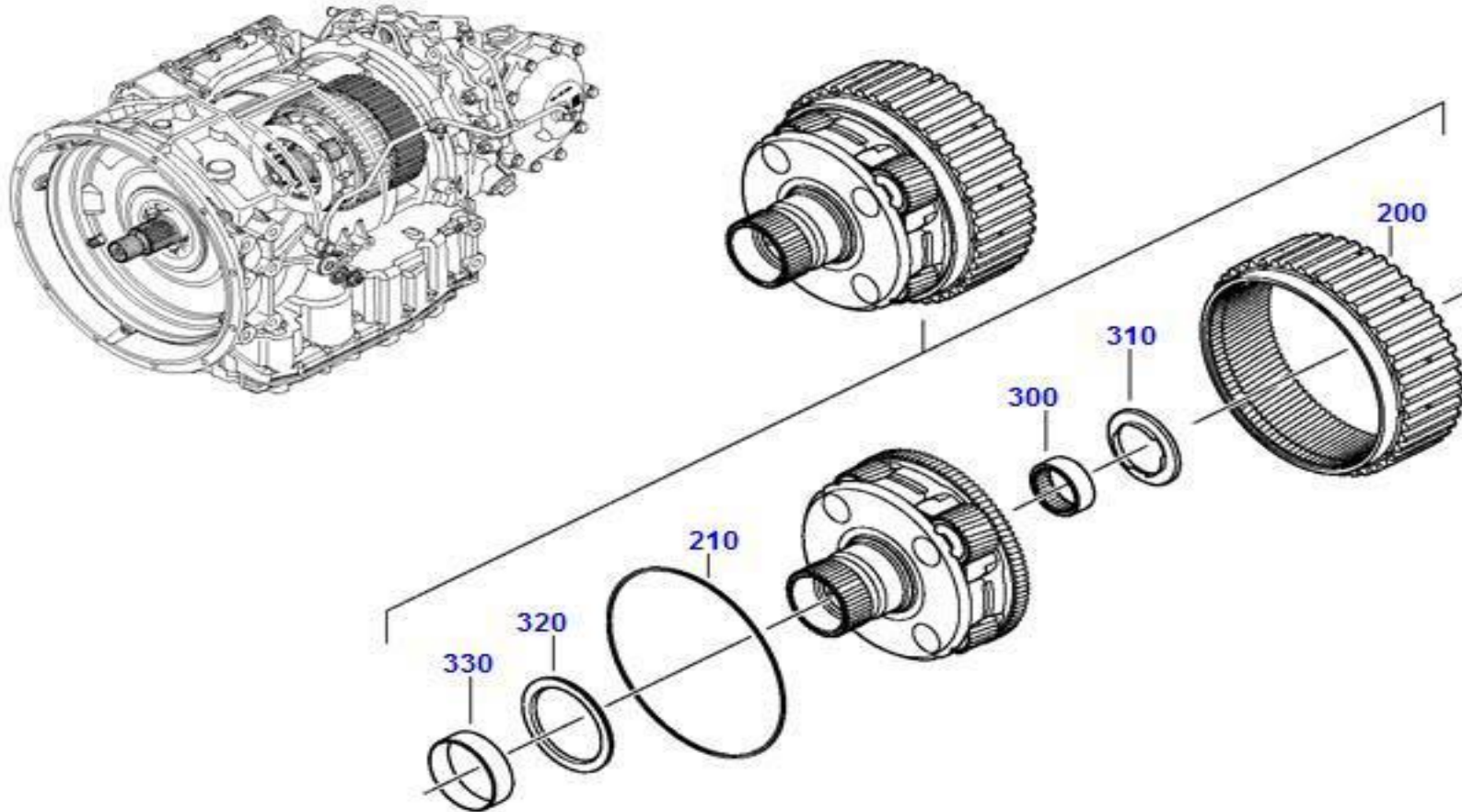
**Auto Transmission**



Picture No: ISZFA1018

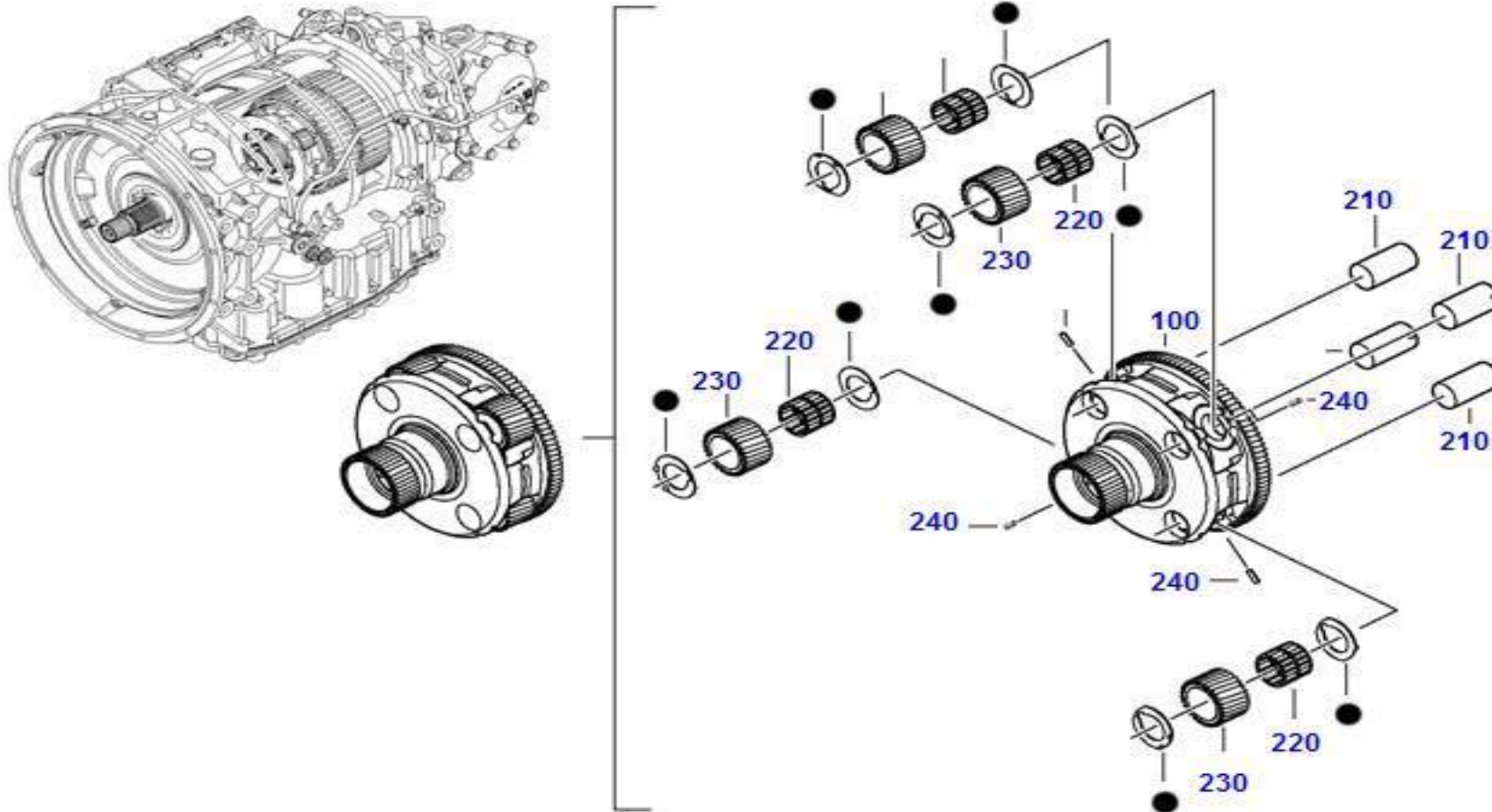
POZ	Part No	N.S.N	Code	Part Name (Türkçe)	Part Name (English)	Quantity
				<i>Auto Transmission</i>		
100	4181.292.017			PLANETENTRAEGER	DISC CARRIER	
200	4181.322.014			ANLAUFSCHIEBE	BEARING PIN	
210	4181.322.018			LAGERBOLZEN	BEARING PIN	
220	0735.321.565			NADELKRANZ	NEEDLE CAGE	
230	4181.325.003			PLANETENRAD	PLANETARY GEAR	
240	0631.329.046			SPANNSTIFT	SLOT. PIN	
<b>Auto Transmission</b>				<b>Transmission-Shift</b>		<b>0301</b>



**0301****Transmission-Shift****Auto Transmission**

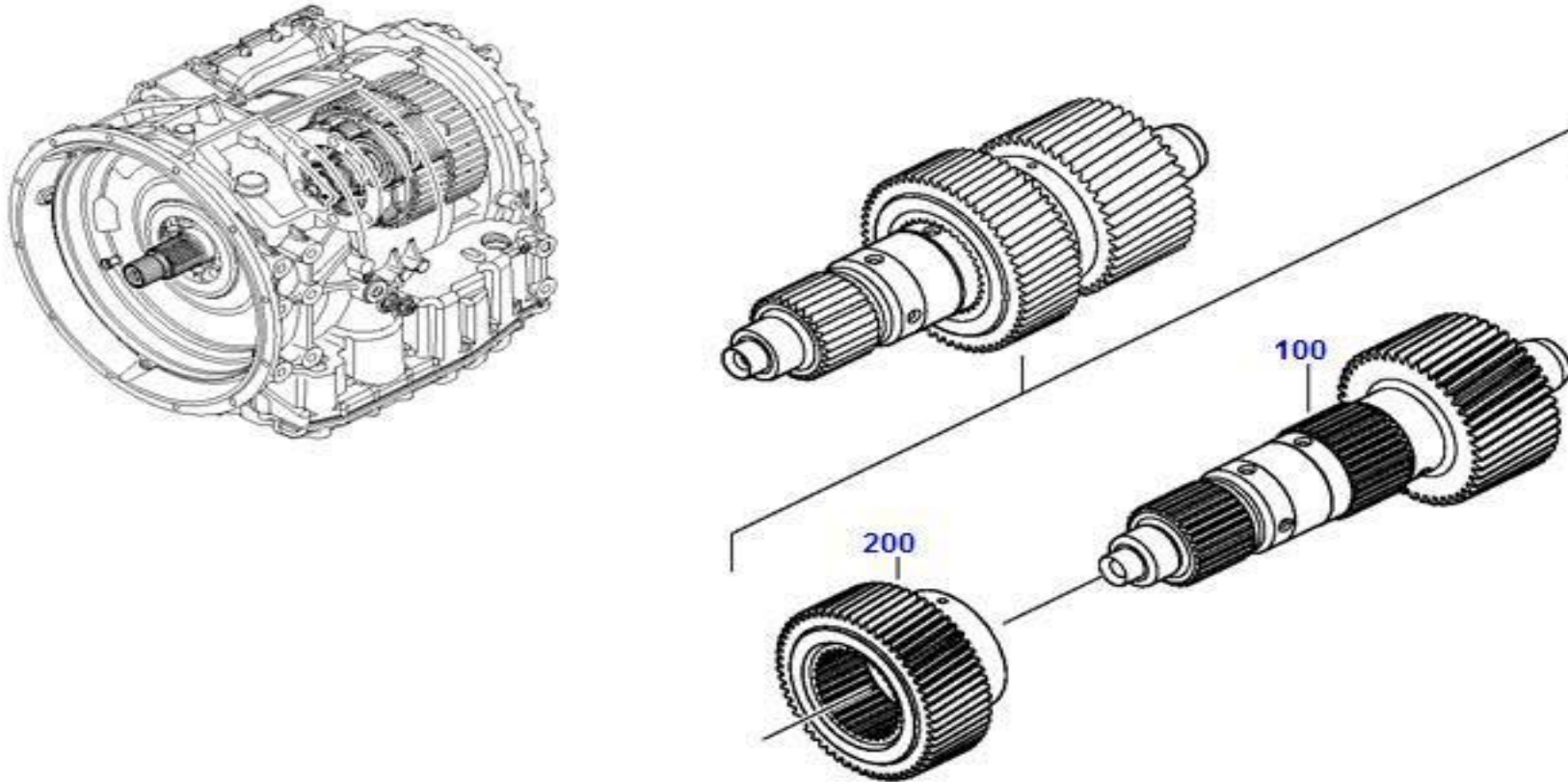
Picture No: ISZFA1019

POZ	Part No	N.S.N	Code	Part Name (Türkçe)	Part Name (English)	Quantity
				<i>Auto Transmission</i>		
000	4181.125.015			PLANET CARRIER	PLANET CARRIER	
200	4181.323.004			HOHLRAD	BEARING PIN	
210	0730.501.734			SICHERUNGSRING	RETAINING RING	
300	0750.115.996			NEEDLE SLEEVE	NEEDLE SLEEVE	
310	0735.368.278			AXIALNADELLAGER	AXIAL NEEDLE BEARING	
320	0735.368.151			AXIALNADELLAGER	AXIAL NEEDLE BEARING	
330	0735.295.234			HUELSE	SLEEVE	
				<b>Auto Transmission</b>	<b>Transmission-Shift</b>	<b>0301</b>

**0301****Transmission-Shift****Auto Transmission**

Picture No: ISZFA1020

POZ	Part No	N.S.N	Code	Part Name (Türkçe)	Part Name (English)	Quantity
				<i>Auto Transmission</i>		
100	4181.292.021			PLANETENTRAEGER	DISC CARRIER	
200	4181.323.013			ANLAUFSCHIEBE	BEARING PIN	
210	4181.323.014			LAGERBOLZEN	BEARING PIN	
220	0735.321.567			NADELKRANZ	NEEDLE CAGE	
230	4181.325.004			PLANETENRAD	PLANETARY GEAR	
240	0501.322.731			SPANNSTIFT	BALL JOINT	
<b>Auto Transmission</b>				<b>Transmission-Shift</b>		<b>0301</b>

**0301****Transmission-Shift****Auto Transmission**

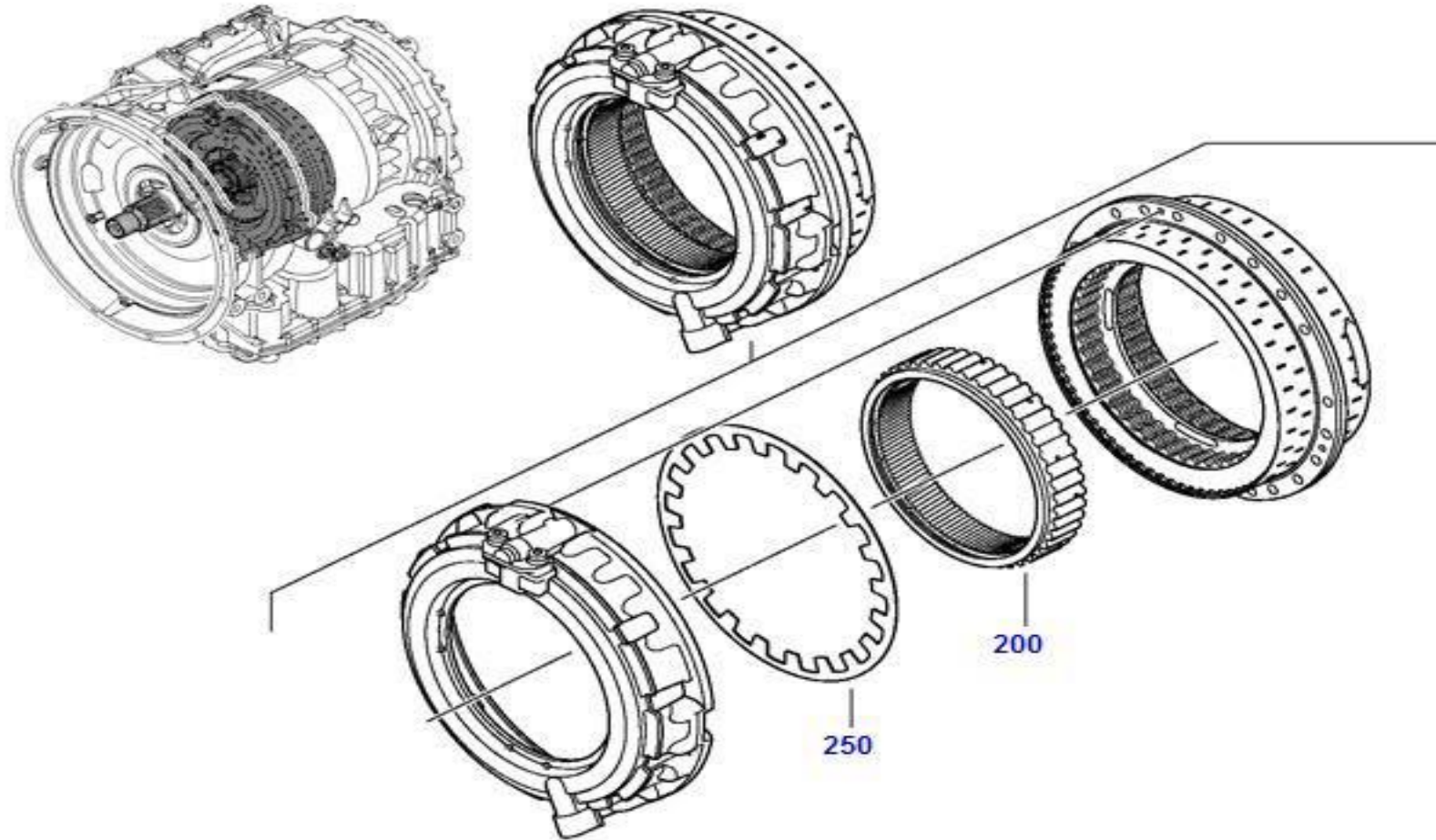
Picture No: ISZFA1021



**0301**

**Transmission-Shift**

**Auto Transmission**



Picture No: ISZFA1022

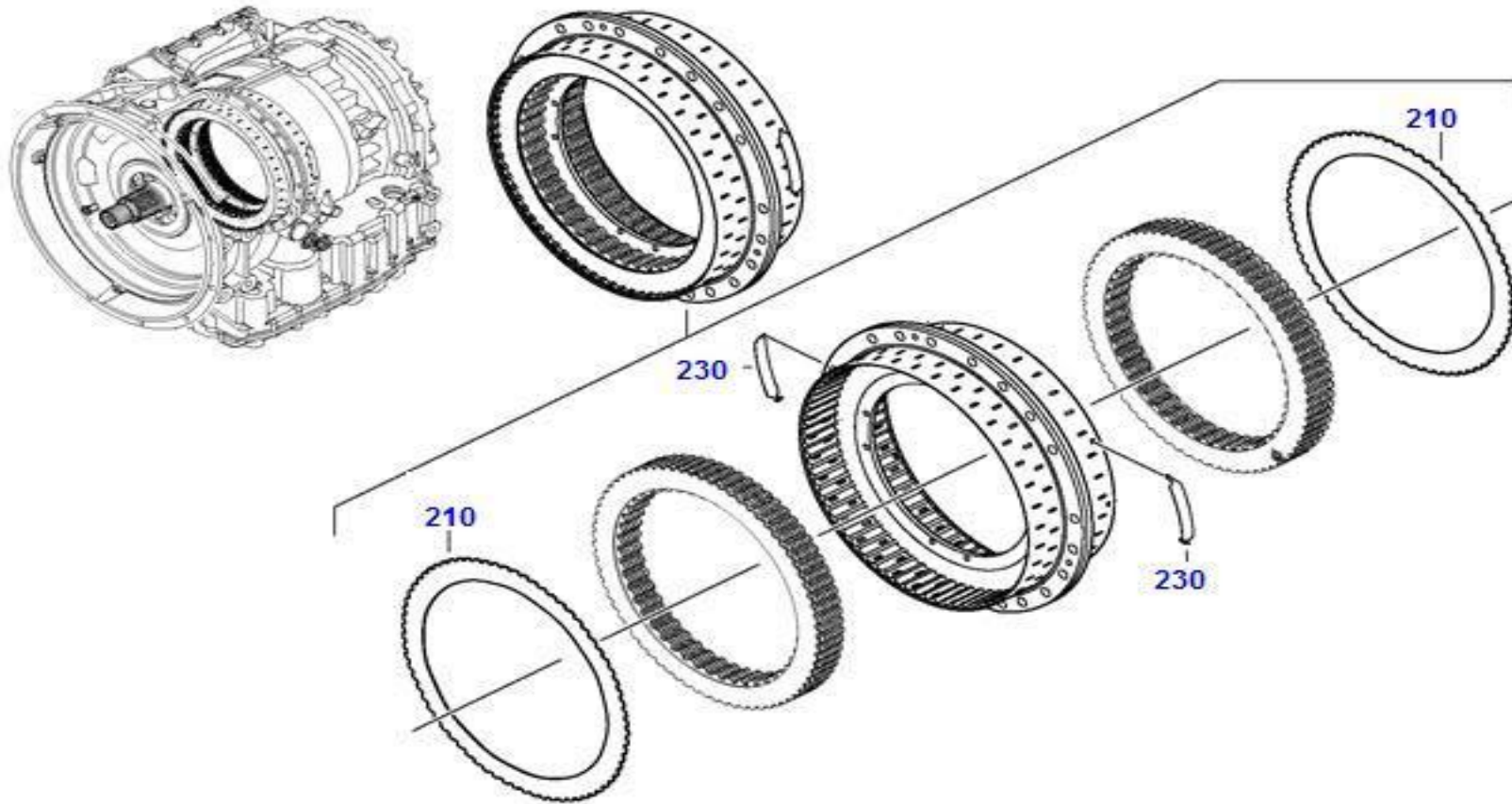
POZ	Part No	N.S.N	Code	Part Name (Türkçe)	Part Name (English)	Quantity
				<i>Auto Transmission</i>		
000	4181.127.052			DISC CARRIER	DISC CARRIER	
000	4181.129.052			PISTON SUPPORT	PISTON SUPPORT	
000	4181.129.802			PISTON SUPPORT	PISTON SUPPORT	
200	4181.326.004			RING GEAR	RING GEAR	
250	0501.322.620			TELLERFEDER	BALL JOINT	
<b>Auto Transmission</b>				<b>Transmission-Shift</b>		<b>0301</b>



**0301**

**Transmission-Shift**

**Auto Transmission**



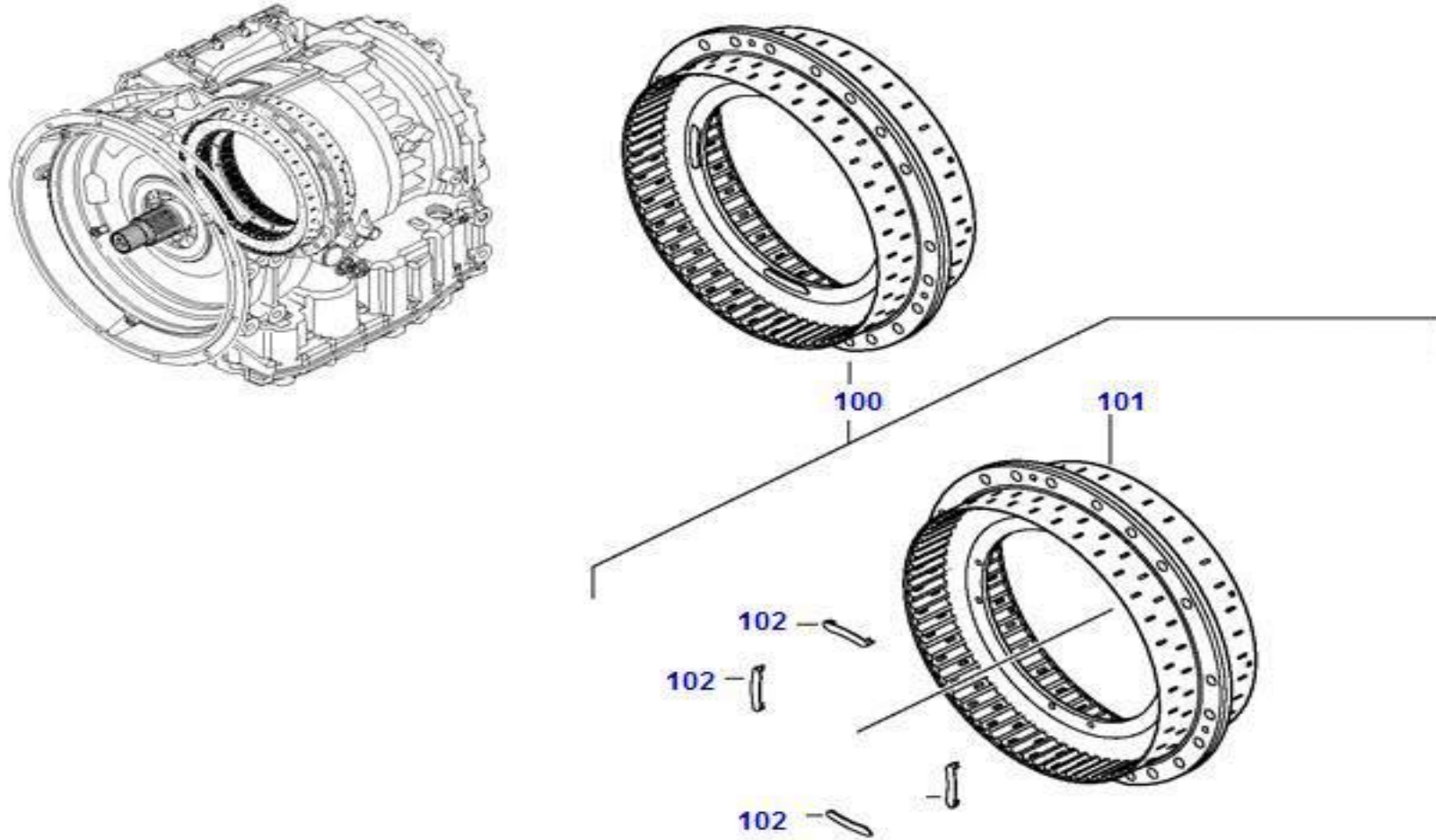
Picture No: ISZFA1023

POZ	Part No	N.S.N	Code	Part Name (Türkçe)	Part Name (English)	Quantity
				<i>Auto Transmission</i>		
000	4181.128.011			MULTIDISK PACKAGE	MULTIDISK PACKAGE	
210	4181.327.001			WELLFEDER	SEGMENT	
230	0501.322.702			HALTEKLAMMER	BALL JOINT	
Auto Transmission				Transmission-Shift		0301

**0301**

**Transmission-Shift**

**Auto Transmission**



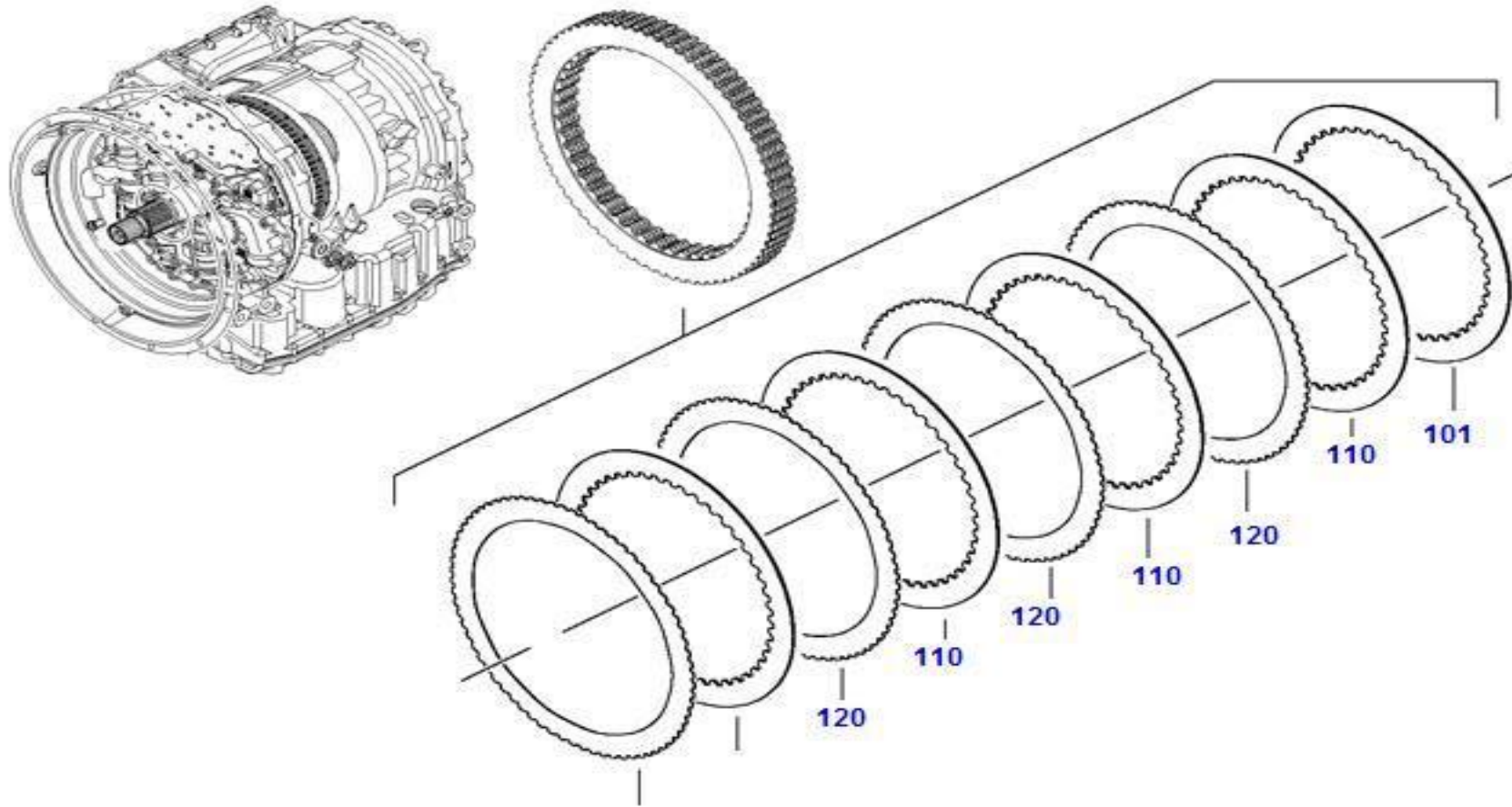
Picture No: ISZFA1024

POZ	Part No	N.S.N	Code	Part Name (Türkçe)	Part Name (English)	Quantity
				<i>Auto Transmission</i>		
100	4181.227.004			LAMELLENTRAEGER	DISC CARRIER	
101	4181.292.027			DISC CARRIER	DISC CARRIER	
102	4181.327.002			SEGMENT	SEGMENT	
Auto Transmission				Transmission-Shift		0301

**0301**

**Transmission-Shift**

**Auto Transmission**



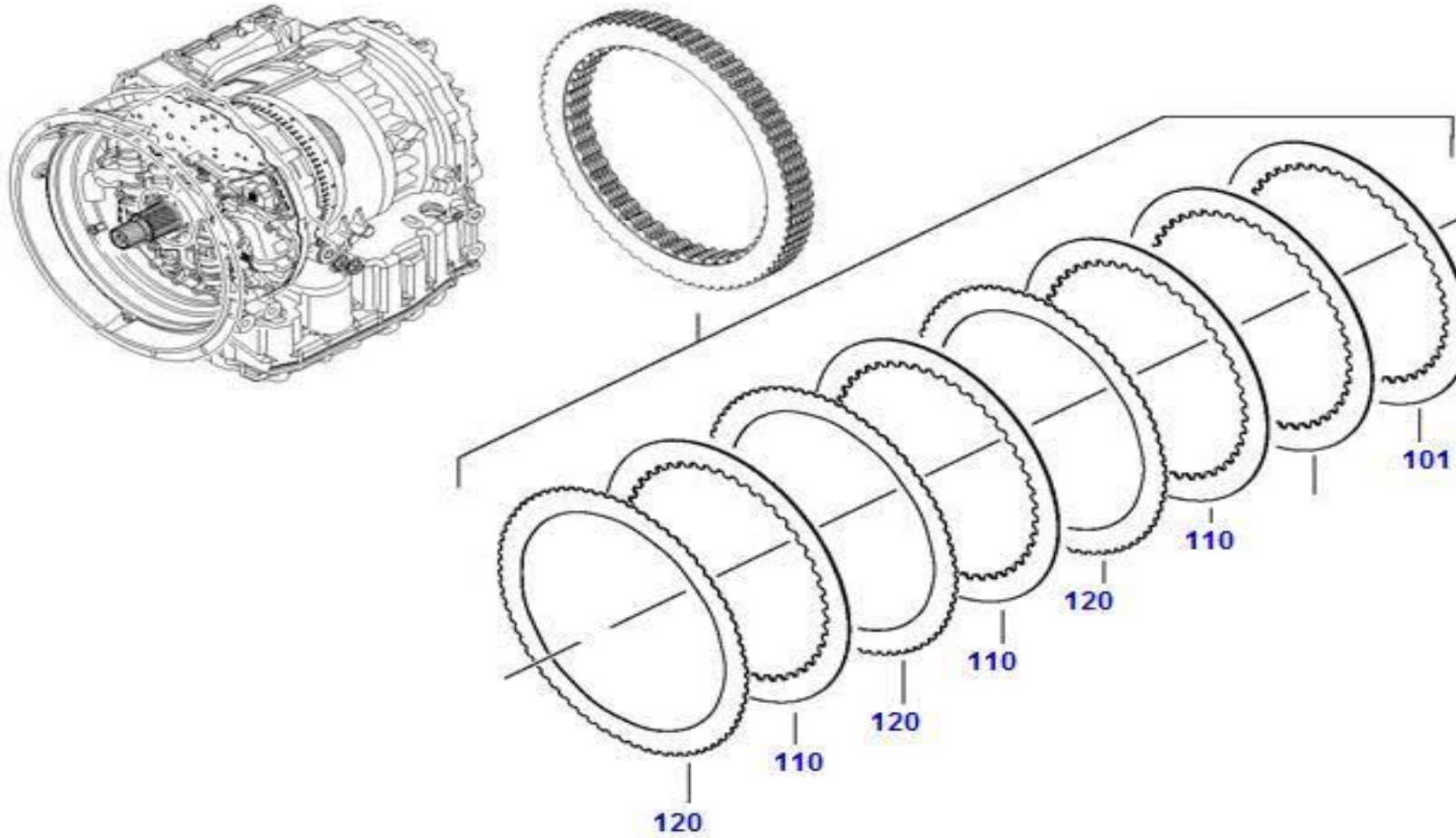
Picture No: ISZFA1025

POZ	Part No	N.S.N	Code	Part Name (Türkçe)	Part Name (English)	Quantity
				<i>Auto Transmission</i>		
101	4181.328.015			WASHER	WASHER	
101	4181.328.016			WASHER	WASHER	
101	4181.328.017			WASHER	WASHER	
110	4181.292.032			BELAGLAMELLE	DISC CARRIER	
120	4181.292.033			BELAGLAMELLE	DISC CARRIER	
				<b>Auto Transmission</b>	<b>Transmission-Shift</b>	<b>0301</b>

**0301**

**Transmission-Shift**

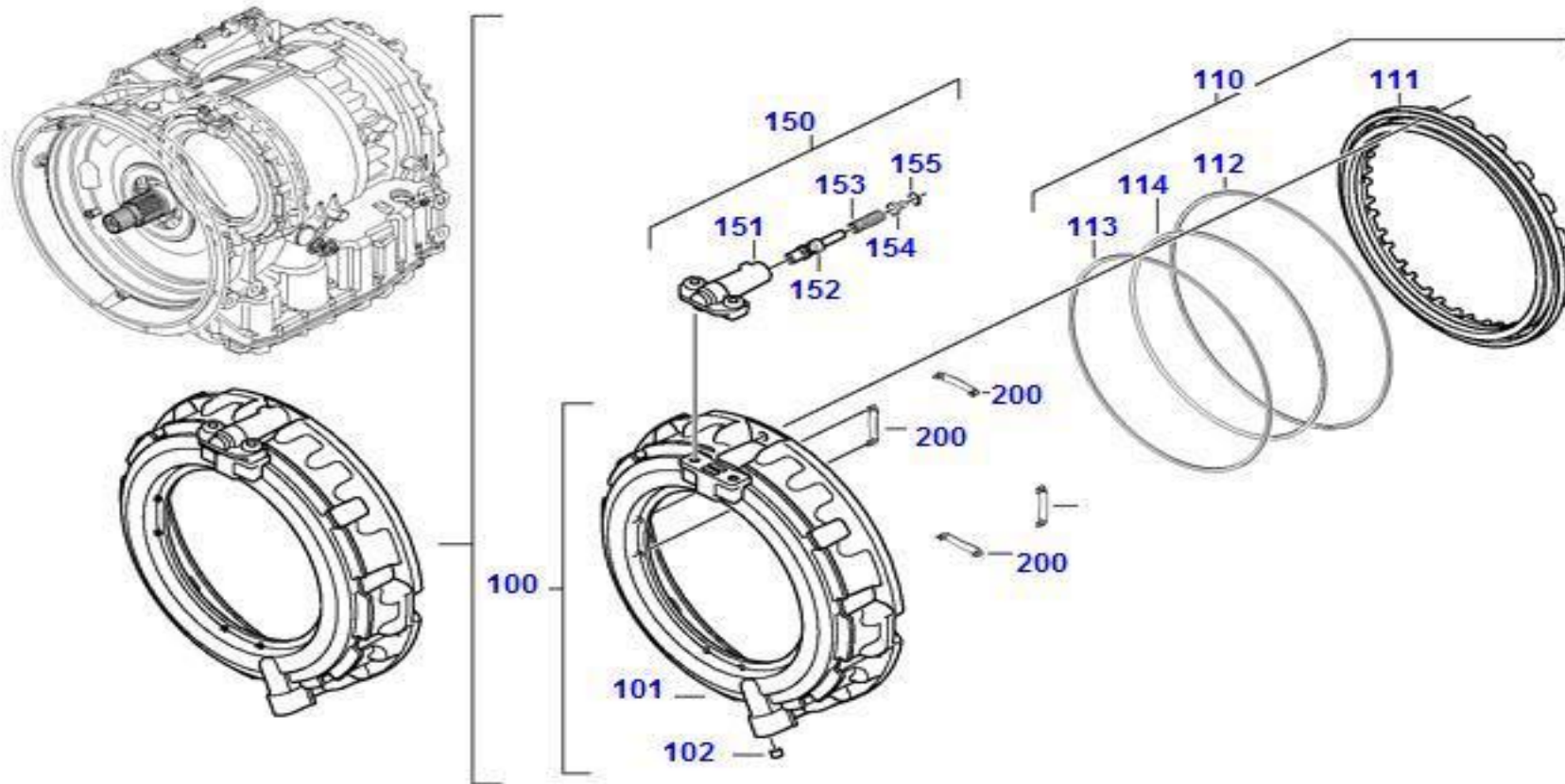
**Auto Transmission**



Picture No: ISZFA1026

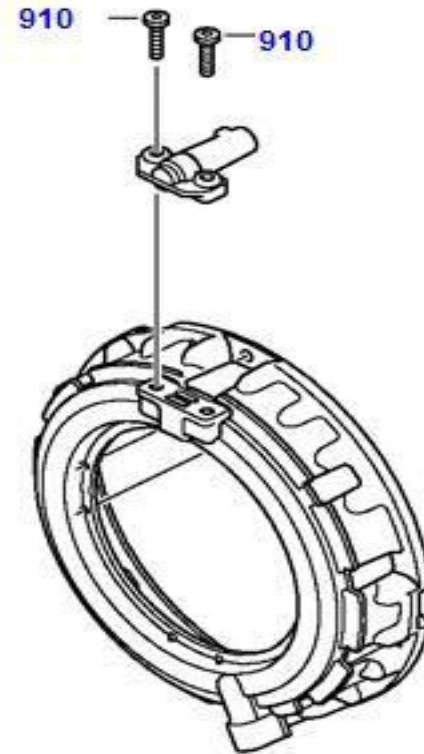
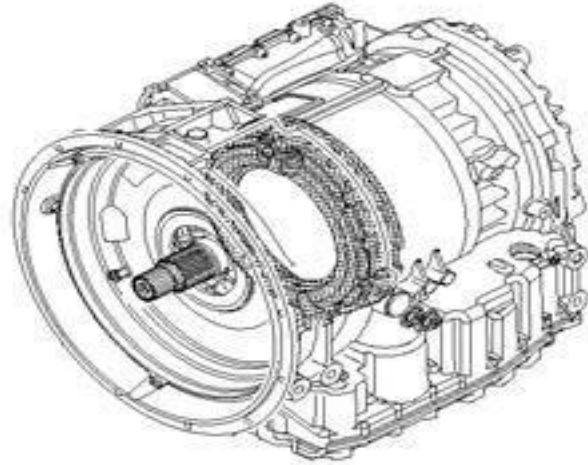
POZ	Part No	N.S.N	Code	Part Name (Türkçe)	Part Name (English)	Quantity
				<i>Auto Transmission</i>		
101	4181.328.015			WASHER	WASHER	
101	4181.328.016			WASHER	WASHER	
101	4181.328.017			WASHER	WASHER	
110	4181.292.032			BELAGLAMELLE	DISC CARRIER	
120	4181.292.033			BELAGLAMELLE	DISC CARRIER	
Auto Transmission				Transmission-Shift		0301



**0301****Transmission-Shift****Auto Transmission**

Picture No: ISZFA1027

POZ	Part No	N.S.N	Code	Part Name (Türkçe)	Part Name (English)	Quantity
				<i>Auto Transmission</i>		
000	4181.129.801			CHANGE OVER VALVE	CHANGE OVER VALVE	
100	4181.229.050			KOLBENTRAEGER	CHANGE OVER VALVE	
101	4181.329.001			KOLBENTRAEGER	PISTON	
102	0631.405.052			VERSCHL.STOPFEN	PLUG	
110	4181.229.052			KOLBEN	CHANGE OVER VALVE	
111	4181.329.003			KOLBEN	PISTON	
112	0501.324.126			DICHTRING	BRAKE CYLINDER	
113	0501.324.125			DICHTRING	BRAKE CYLINDER	
114	0501.324.123			DICHTRING	BRAKE CYLINDER	
150	4181.229.016			UMSCHALTVENTIL	CHANGE OVER VALVE	
151	4181.329.038			VALVE HOUSING	VALVE HOUSING	
152	4181.329.040			PISTON	PISTON	
153	0732.042.940			COMPRESSION SPRING	COMPRESSION SPRING	
154	4181.329.022			PISTON	PISTON	
155	0630.502.003			RETAINING RING	RETAINING RING	
200	4181.327.002			SEGMENT	SEGMENT	
				<b>Auto Transmission</b>	<b>Transmission-Shift</b>	<b>0301</b>

**0301****Transmission-Shift****Auto Transmission**

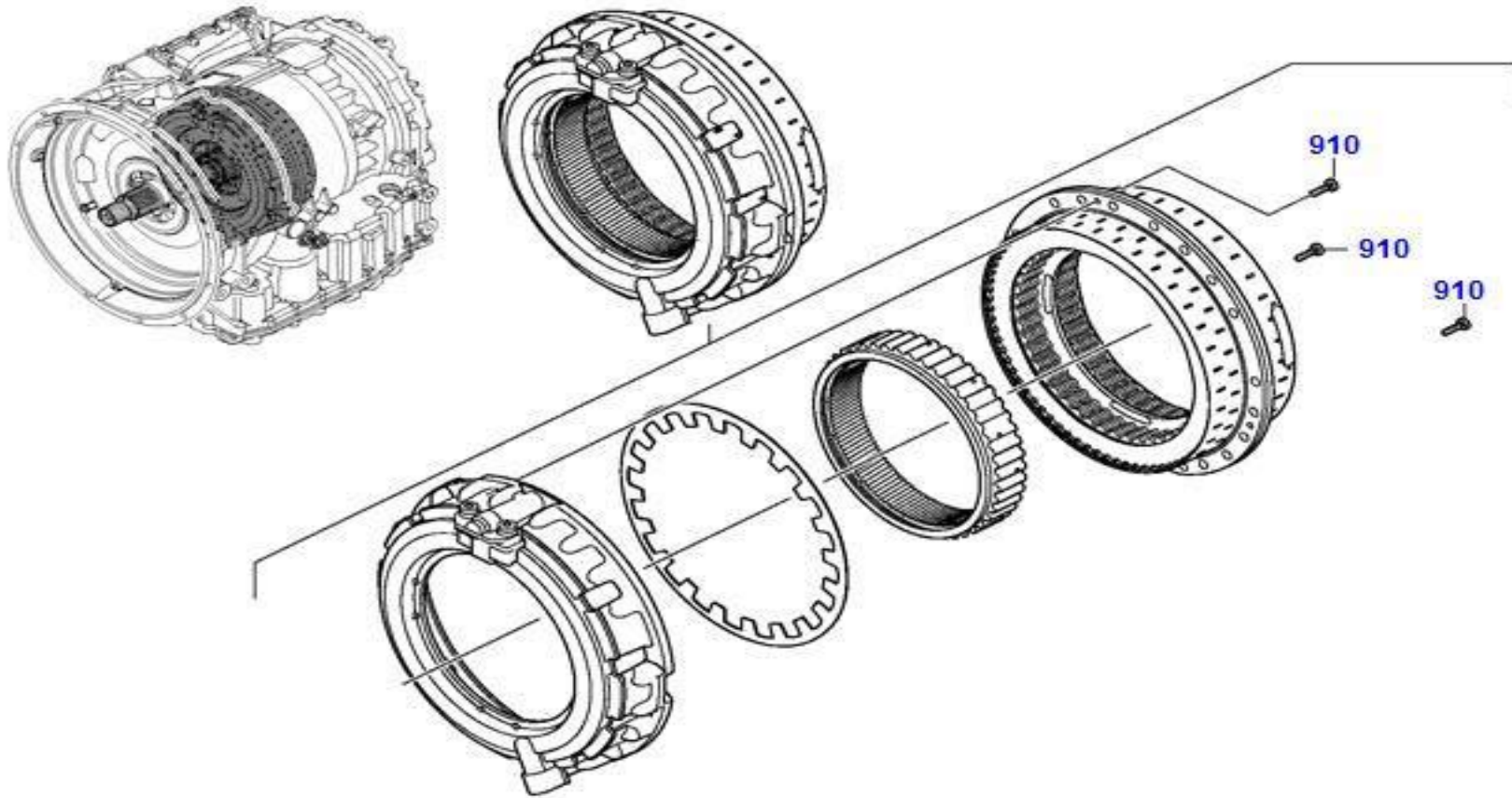
Picture No: ISZFA1028

POZ	Part No	N.S.N	Code	Part Name (Türkçe)	Part Name (English)	Quantity
910	0736.300.200			<i>Auto Transmission</i> SECHSRUNDSCHR.	CAP SCREW	
Auto Transmission				Transmission-Shift		0301

**0301**

**Transmission-Shift**

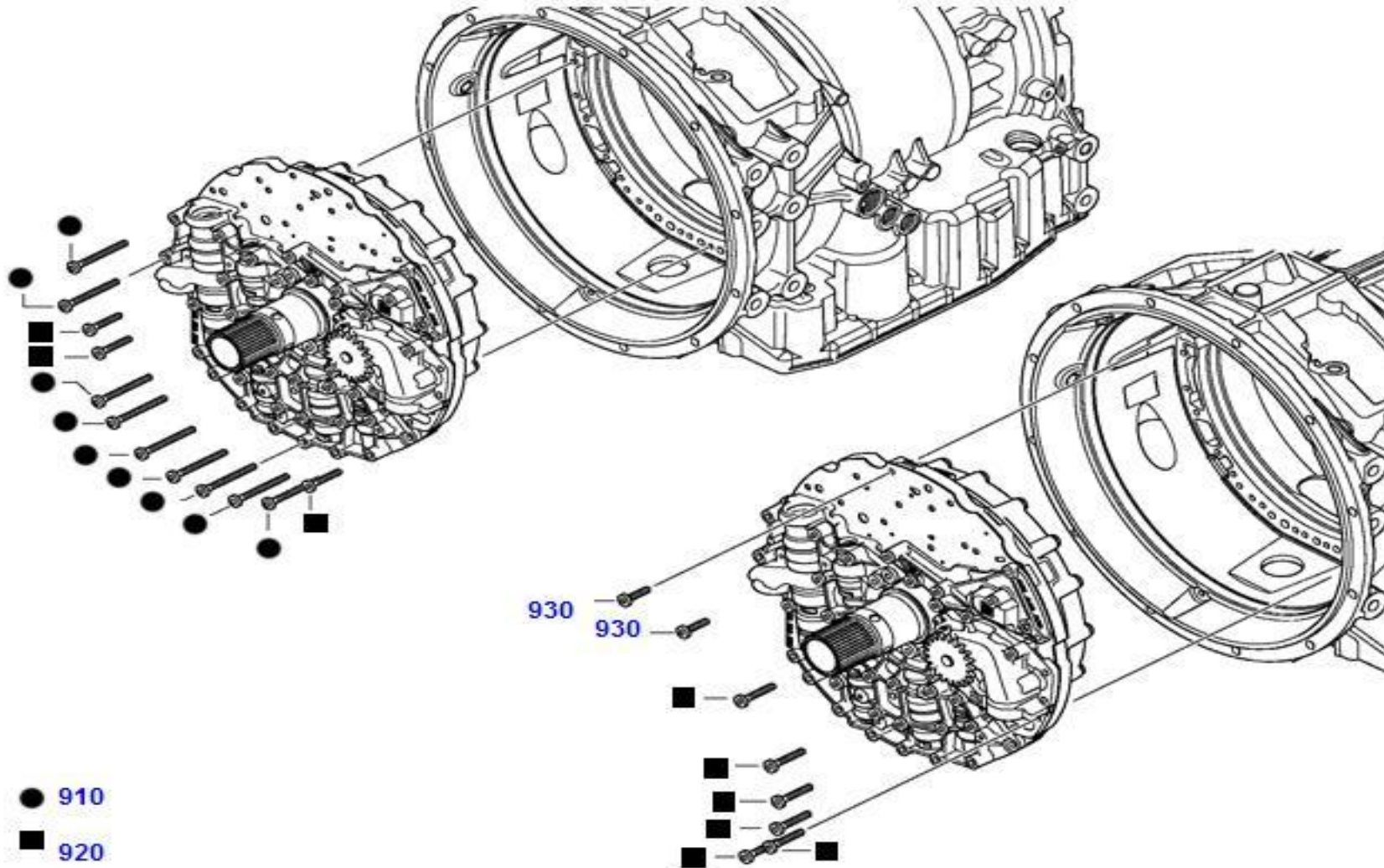
**Auto Transmission**



Picture No: ISZFA1029

POZ	Part No	N.S.N	Code	Part Name (Türkçe)	Part Name (English)	Quantity
910	0736.300.197			Auto Transmission SECHSRUNDSCHR.	CAP SCREW	
Auto Transmission				Transmission-Shift		0301

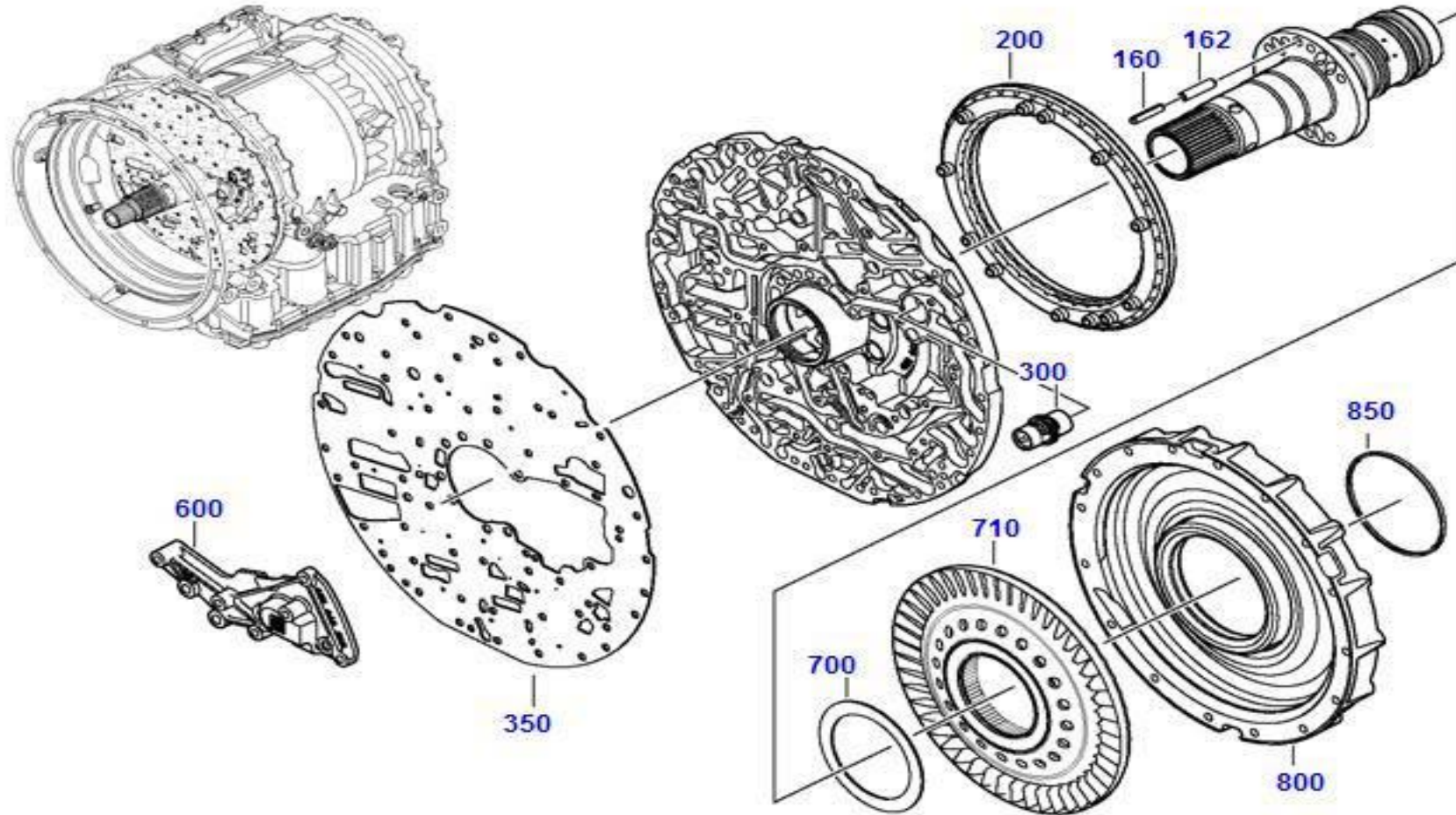


**0301****Transmission-Shift****Auto Transmission**

Picture No: ISZFA1030

POZ	Part No	N.S.N	Code	Part Name (Türkçe)	Part Name (English)	Quantity
				<i>Auto Transmission</i>		
910	0736.300.203			SECHSRUNDSCHR.	CAP SCREW	
920	0736.300.201			SECHSRUNDSCHR.	CAP SCREW	
930	0736.300.200			SECHSRUNDSCHR.	CAP SCREW	
Auto Transmission				Transmission-Shift		0301



**0301****Transmission-Shift****Auto Transmission**

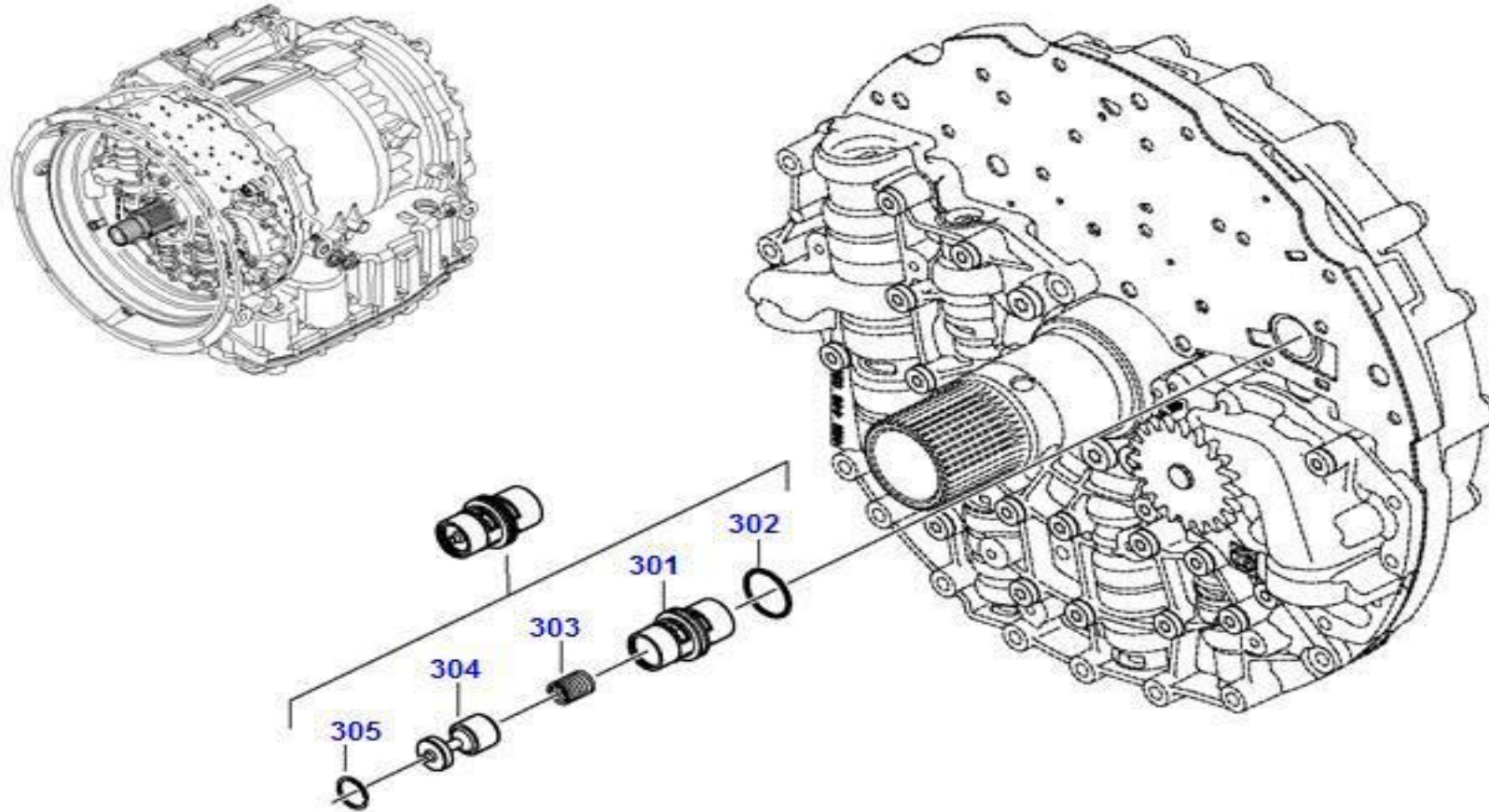
Picture No: ISZFA1031

POZ	Part No	N.S.N	Code	Part Name (Türkçe)	Part Name (English)	Quantity
				<i>Auto Transmission</i>		
000	4181.142.050			OIL FEED FLANGE	OIL FEED FLANGE	
000	4181.143.010			STATOR SHAFT	STATOR SHAFT	
000	4181.144.802			STATOR RING	STATOR RING	
000	4181.146.005			VALVE HOUSING	VALVE HOUSING	
000	4181.146.802			VALVE HOUSING	VALVE HOUSING	
000	4181.147.007			PRIMARY PUMP	PRIMARY PUMP	
000	4181.147.802			PUMP	PUMP	
000	4181.148.801			SUPPORTING PLATE	SUPPORTING PLATE	
000	4181.144.803			SEALING WASHER	SEALING WASHER	
160	0631.330.122			SPANNSTIFT	SLOT. PIN	
162	0631.329.086			SPANNSTIFT	SLOT. PIN	
200	0501.328.787			STATOR	AXLE BEVEL GEAR	
300	4181.245.004			SCHMIERDR.VENT.	LUB.PRESS.VALVE	
350	4181.346.043			ZWISCHENBLECH	FIXING PLATE	
600	4181.348.009			ABSTUETZPLATTE	SUPPORTING PLATE	
700	0730.113.839			AXIALSCHEIBE	AXIAL WASHER	
710	4181.244.010			ROTOR	ROTOR	
800	4181.244.053			SEALING WASHER	SEALING WASHER	
850	0501.324.244			RECHTECKRING	BRAKE CYLINDER	

Auto Transmission

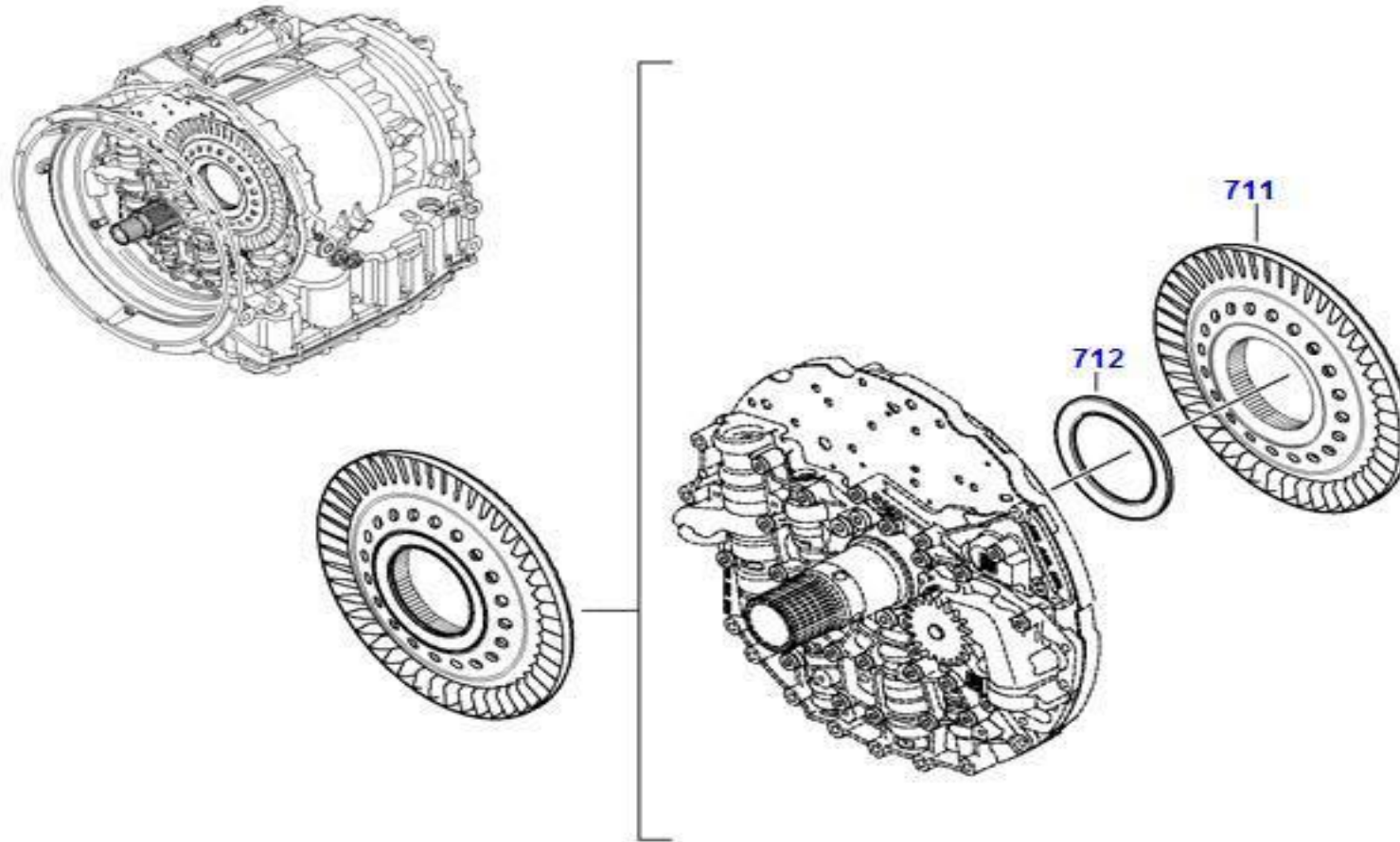
Transmission-Shift

0301

**0301****Transmission-Shift****Auto Transmission**

Picture No: ISZFA1032

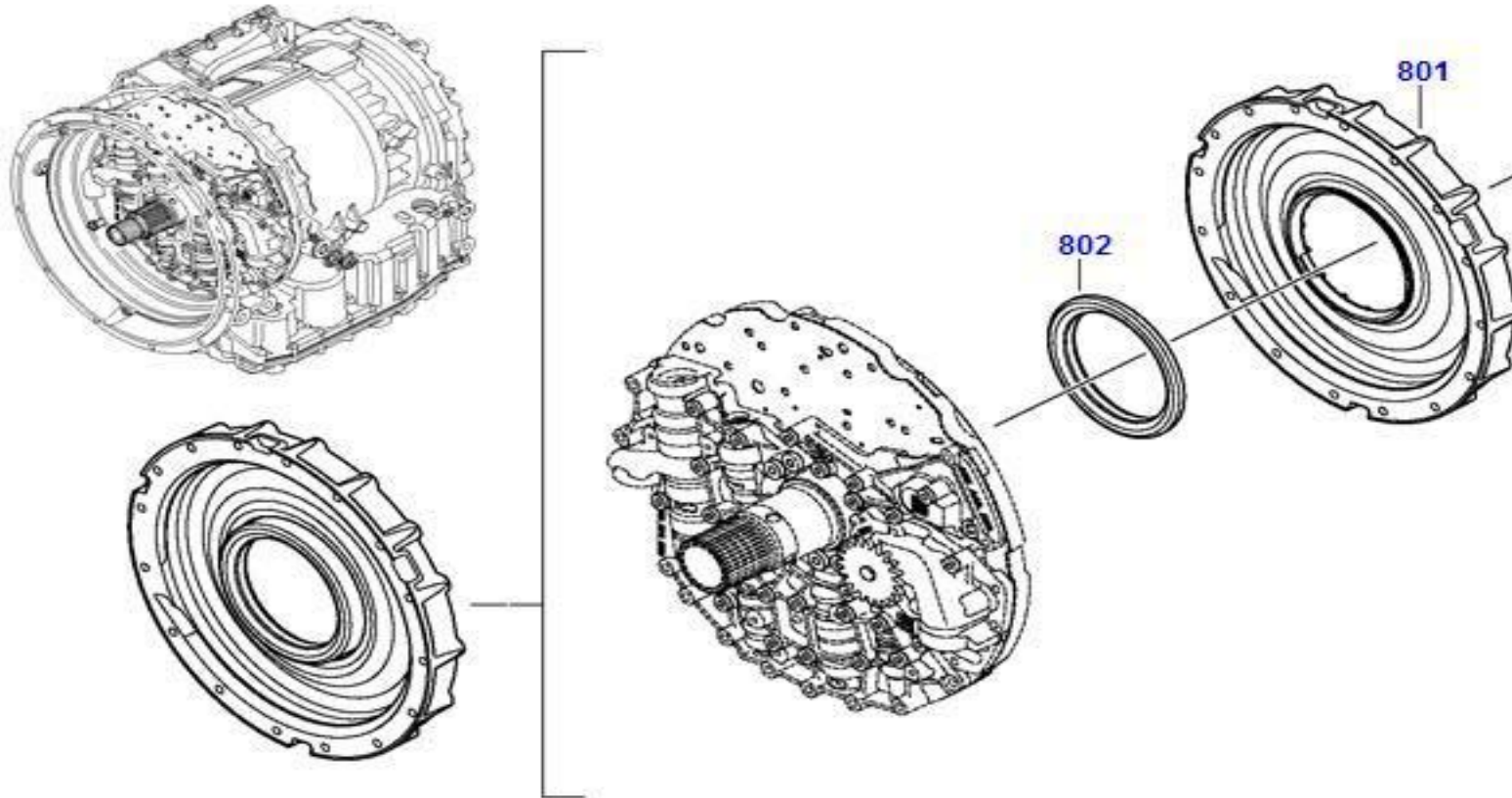
POZ	Part No	N.S.N	Code	Part Name (Türkçe)	Part Name (English)	Quantity
				<i>Auto Transmission</i>		
301	4181.345.002			BUCHSE	BUSH	
302	0501.322.978			O-RING	BALL JOINT	
303	0732.042.980			DRUCKFEDER	COMPRESSION SPRING	
304	4181.345.001			KOLBEN	BUSH	
305	0630.513.120			SPRENGRING	SNAP RING	
<b>Auto Transmission</b>				<b>Transmission-Shift</b>		<b>0301</b>

**0301****Transmission-Shift****Auto Transmission**

Picture No: ISZFA1033

POZ	Part No	N.S.N	Code	Part Name (Türkçe)	Part Name (English)	Quantity
				<i>Auto Transmission</i>		
711	0501.324.481			ROTOR	BRAKE CYLINDER	
712	0735.300.686			AXIALNADELLAGER	AXIAL NEEDLE BEARING	
Auto Transmission				Transmission-Shift		0301



**0301****Transmission-Shift****Auto Transmission**

Picture No: ISZFA1034

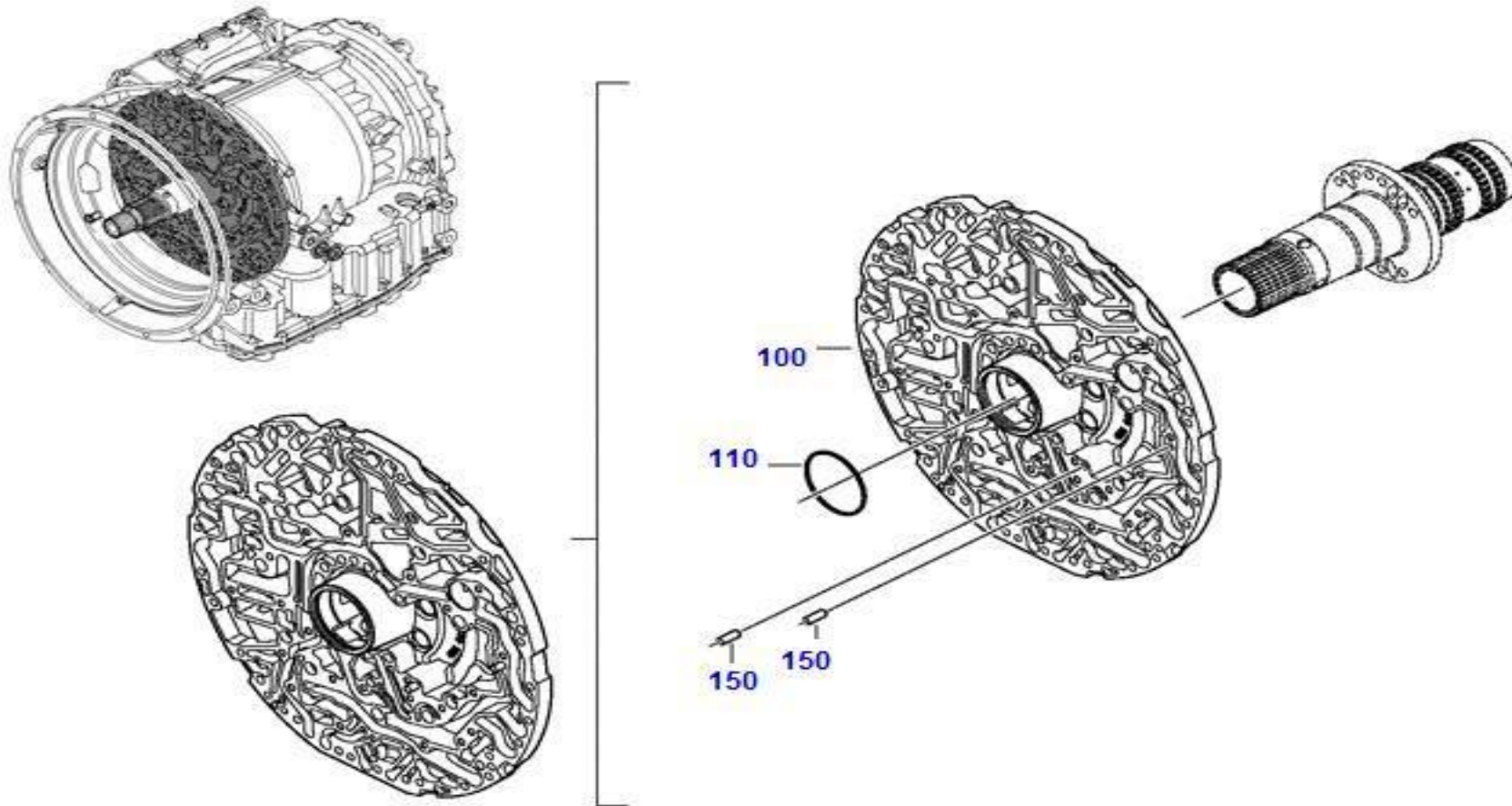
POZ	Part No	N.S.N	Code	Part Name (Türkçe)	Part Name (English)	Quantity
				<i>Auto Transmission</i>		
801	4181.344.019			SEALING WASHER	SEALING WASHER	
802	4181.344.013			HUELSE	SEALING WASHER	
Auto Transmission				Transmission-Shift		0301



**0301**

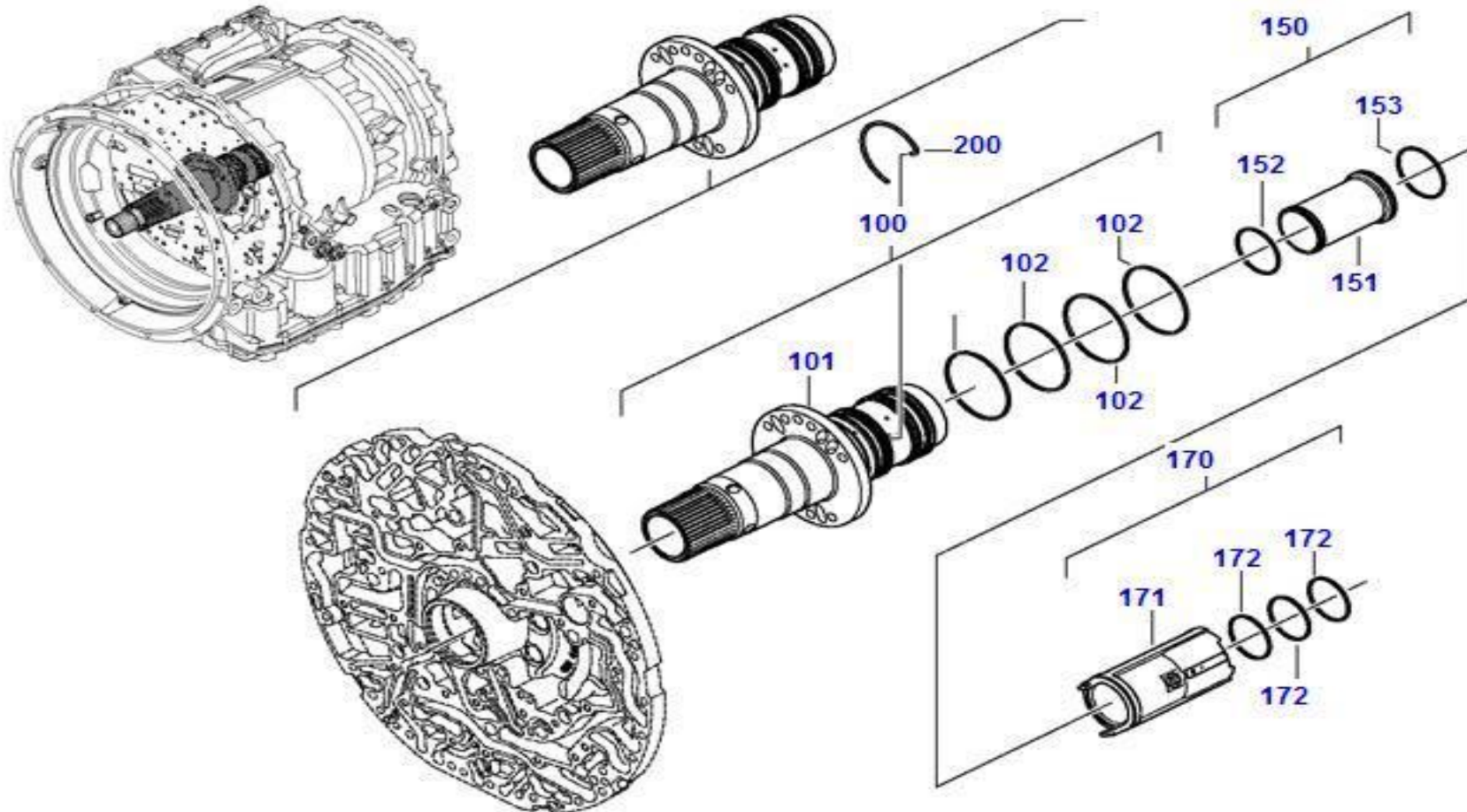
**Transmission-Shift**

**Auto Transmission**



Picture No: ISZFA1035

POZ	Part No	N.S.N	Code	Part Name (Türkçe)	Part Name (English)	Quantity
				<i>Auto Transmission</i>		
100	4181.342.020			OELZUF.FLANSCH	OIL FEED FLANGE	
110	0501.322.908			O-RING	BALL JOINT	
150	0631.306.064			ZYLINDERSTIFT	CYLINDRICAL PIN	
<b>Auto Transmission</b>				<b>Transmission-Shift</b>		<b>0301</b>

**0301****Transmission-Shift****Auto Transmission**

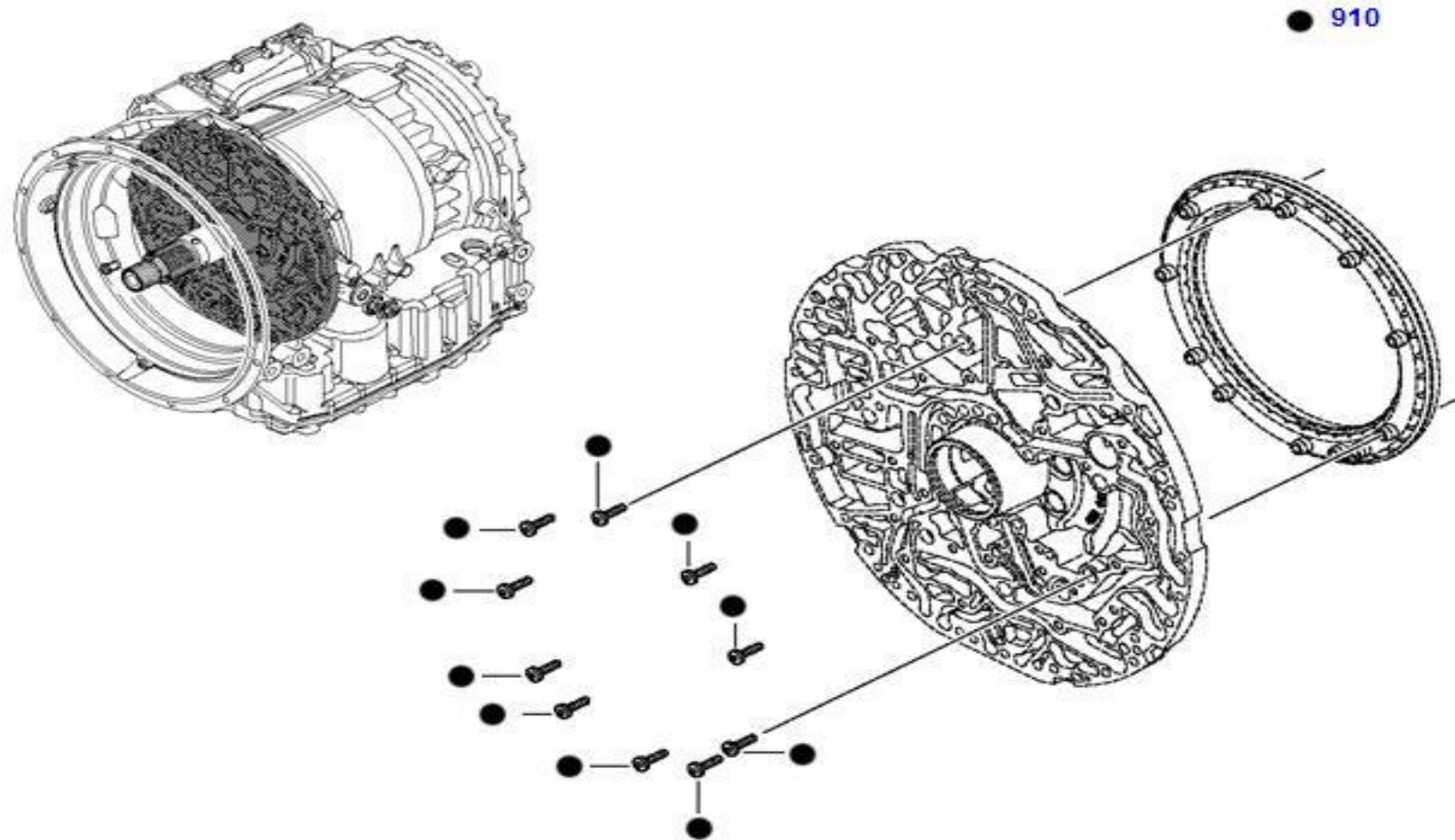
Picture No: ISZFA1036

POZ	Part No	N.S.N	Code	Part Name (Türkçe)	Part Name (English)	Quantity
				<i>Auto Transmission</i>		
100	4181.243.013			LEITRADWELLE	BUSH	
101	4181.343.012			STATOR SHAFT	STATOR SHAFT	
102	0501.325.586			RECHTECKRING	AXIAL WASHER	
150	4181.243.008			HUELSE	BUSH	
151	0501.322.740			HUELSE	BALL JOINT	
152	0501.322.902			O-RING	BALL JOINT	
153	0501.322.907			O-RING	BALL JOINT	
170	4181.243.011			BUCHSE	BUSH	
171	4181.343.013			BUCHSE	BUSH	
172	0501.322.916			RECHTECKRING	BALL JOINT	
200	0730.505.173			SPRENGRING	SNAP RING	
<b>Auto Transmission</b>				<b>Transmission-Shift</b>		<b>0301</b>

**0301**

**Transmission-Shift**

**Auto Transmission**



Picture No: ISZFA1037

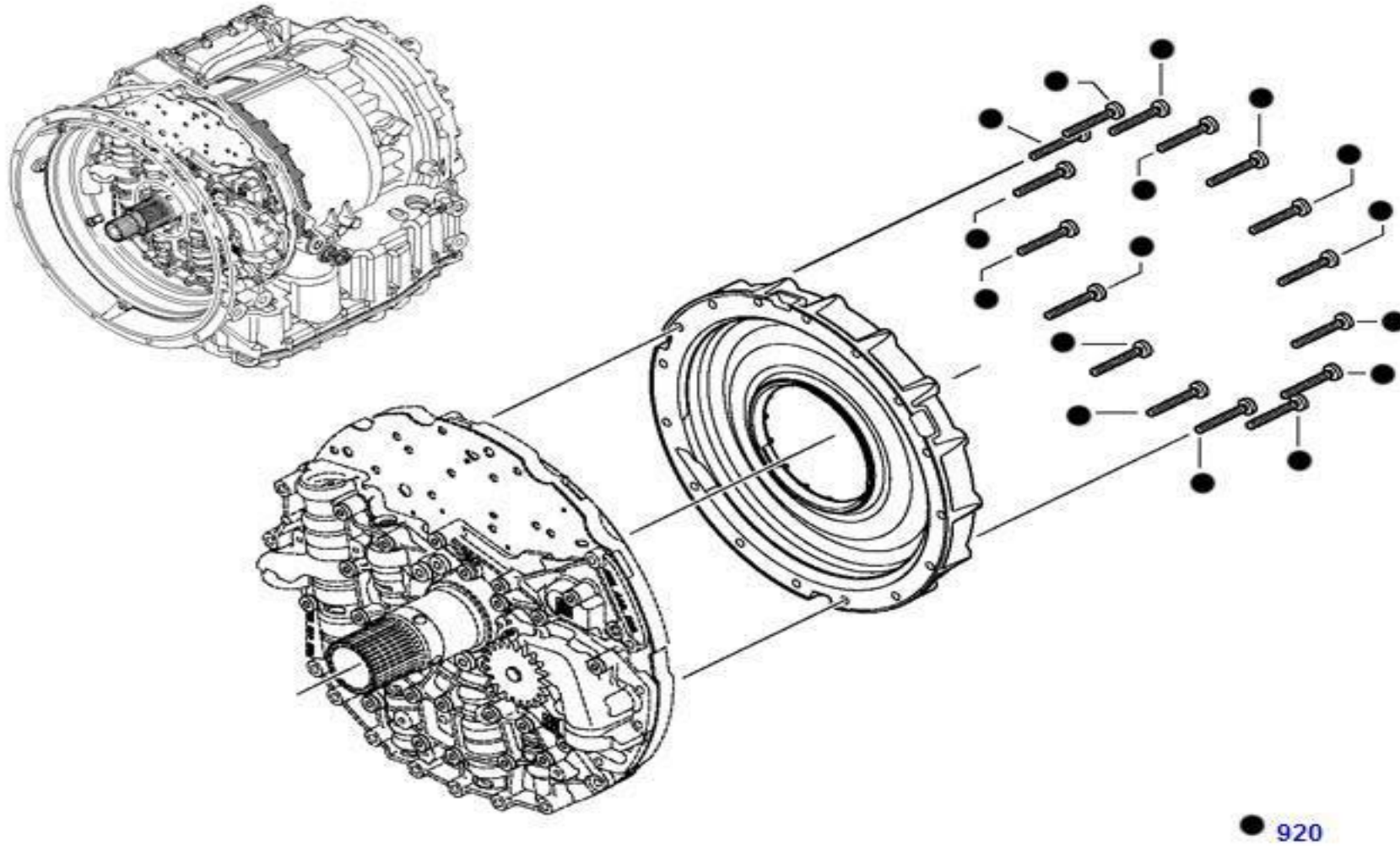
POZ	Part No	N.S.N	Code	Part Name (Türkçe)	Part Name (English)	Quantity
910	0736.300.197			Auto Transmission SECHSRUNDSCHR.	CAP SCREW	
Auto Transmission				Transmission-Shift		0301



**0301**

**Transmission-Shift**

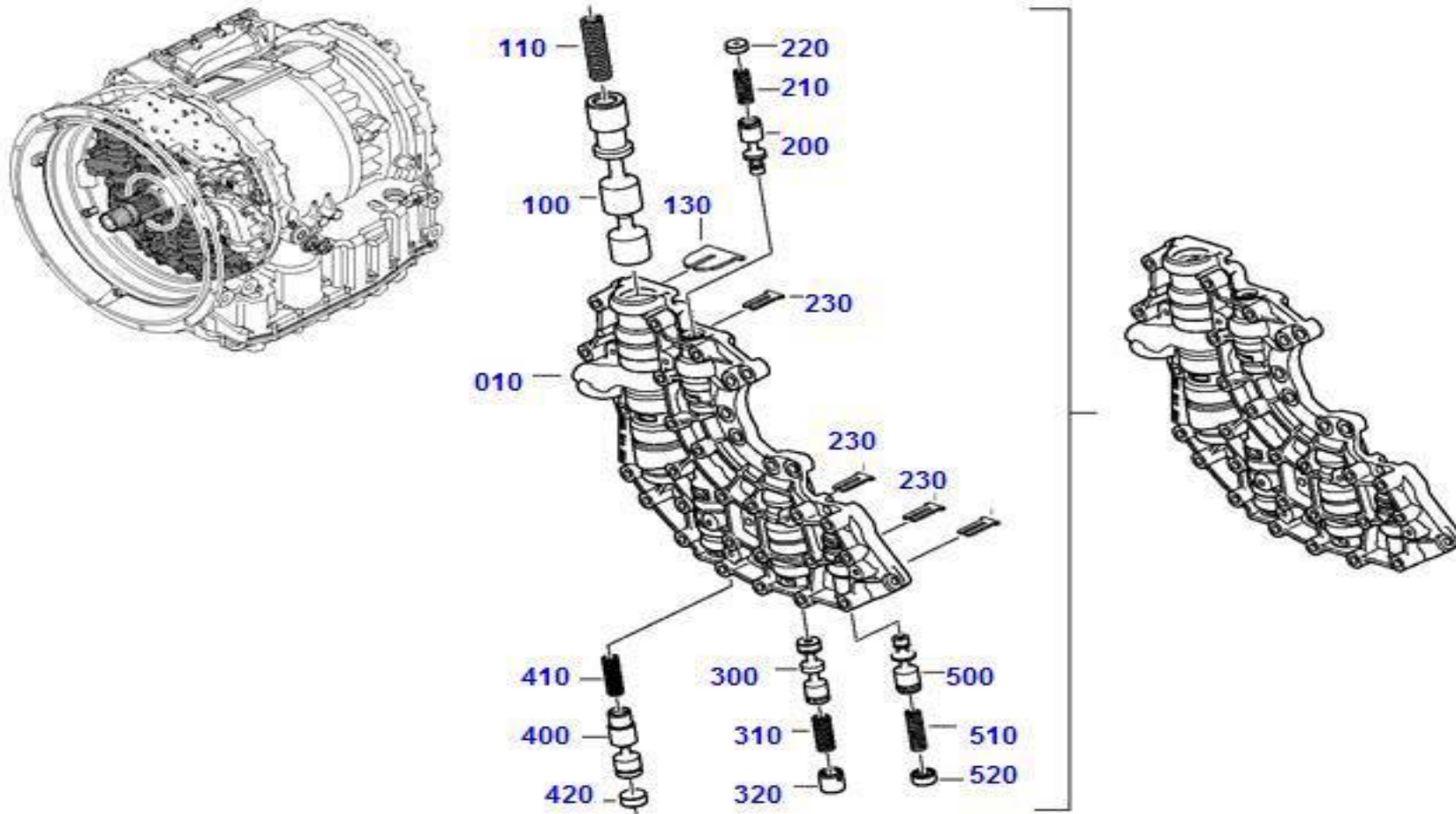
**Auto Transmission**



Picture No: ISZFA1038

POZ	Part No	N.S.N	Code	Part Name (Türkçe)	Part Name (English)	Quantity
920	0736.300.202			<i>Auto Transmission</i> SECHSRUNDSCHR.	CAP SCREW	
Auto Transmission				Transmission-Shift		0301



**0301****Transmission-Shift****Auto Transmission**

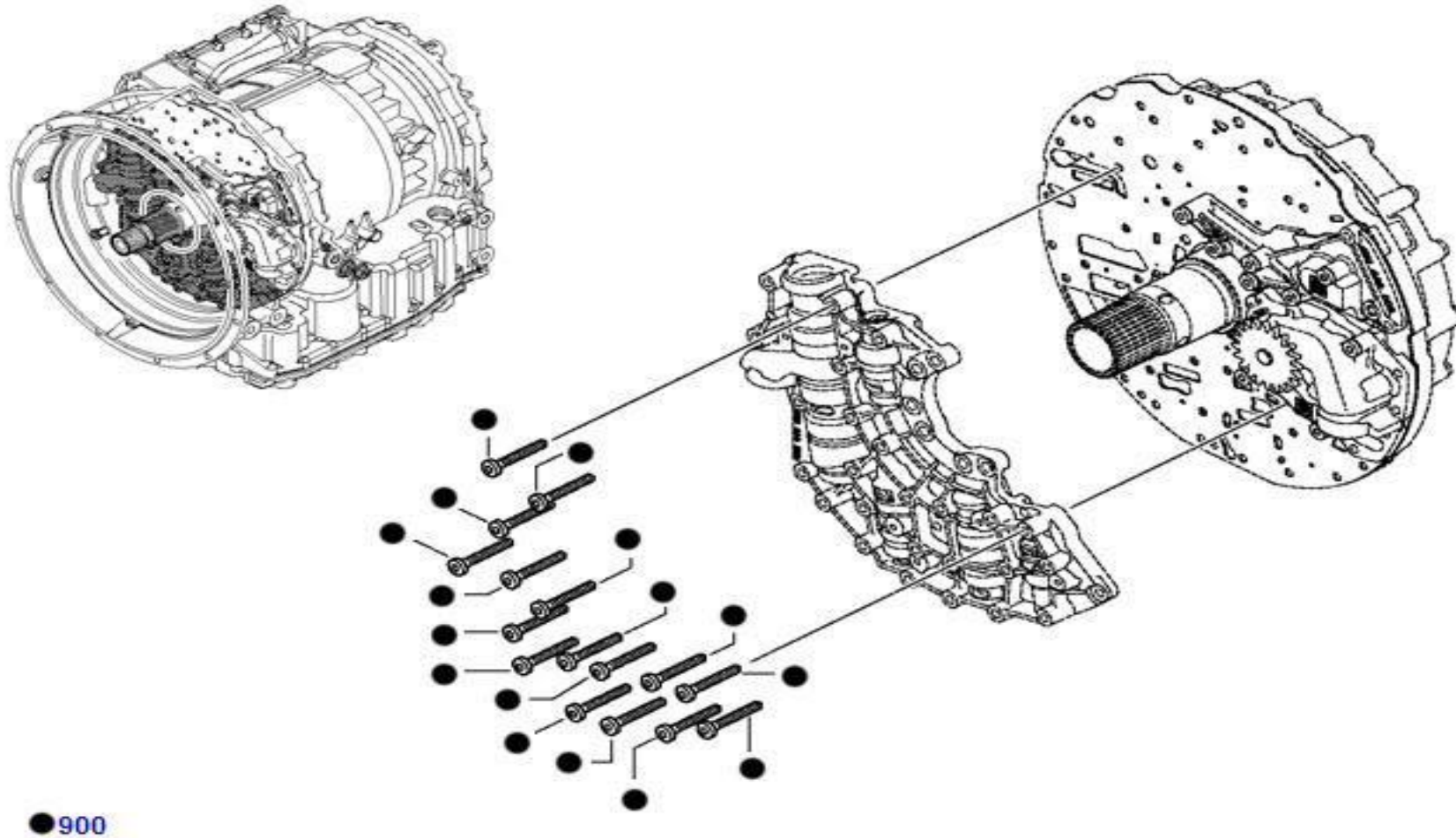
Picture No: ISZFA1039

POZ	Part No	N.S.N	Code	Part Name (Türkçe)	Part Name (English)	Quantity
				<i>Auto Transmission</i>		
010	4181.346.017			VENTILGEHAEUSE	FIXING PLATE	
100	4181.346.048			KOLBEN	FIXING PLATE	
110	0732.042.939			DRUCKFEDER	COMPRESSION SPRING	
130	4181.346.041			HALTEBLECH	FIXING PLATE	
200	4181.346.049			KOLBEN	FIXING PLATE	
210	0732.042.943			DRUCKFEDER	COMPRESSION SPRING	
220	4181.346.056			KOLBEN	FIXING PLATE	
230	4181.346.042			HALTEBLECH	FIXING PLATE	
300	4181.346.055			KOLBEN	FIXING PLATE	
310	0732.042.905			DRUCKFEDER	COMPRESSION SPRING	
320	4181.346.051			KOLBEN	FIXING PLATE	
400	4181.346.054			KOLBEN	FIXING PLATE	
410	0732.042.999			DRUCKFEDER	COMPRESSION SPRING	
420	4181.346.052			KOLBEN	FIXING PLATE	
500	4181.346.050			KOLBEN	FIXING PLATE	
510	0732.042.973			DRUCKFEDER	COMPRESSION SPRING	
520	4181.346.053			KOLBEN	FIXING PLATE	
<b>Auto Transmission</b>				<b>Transmission-Shift</b>		<b>0301</b>

**0301**

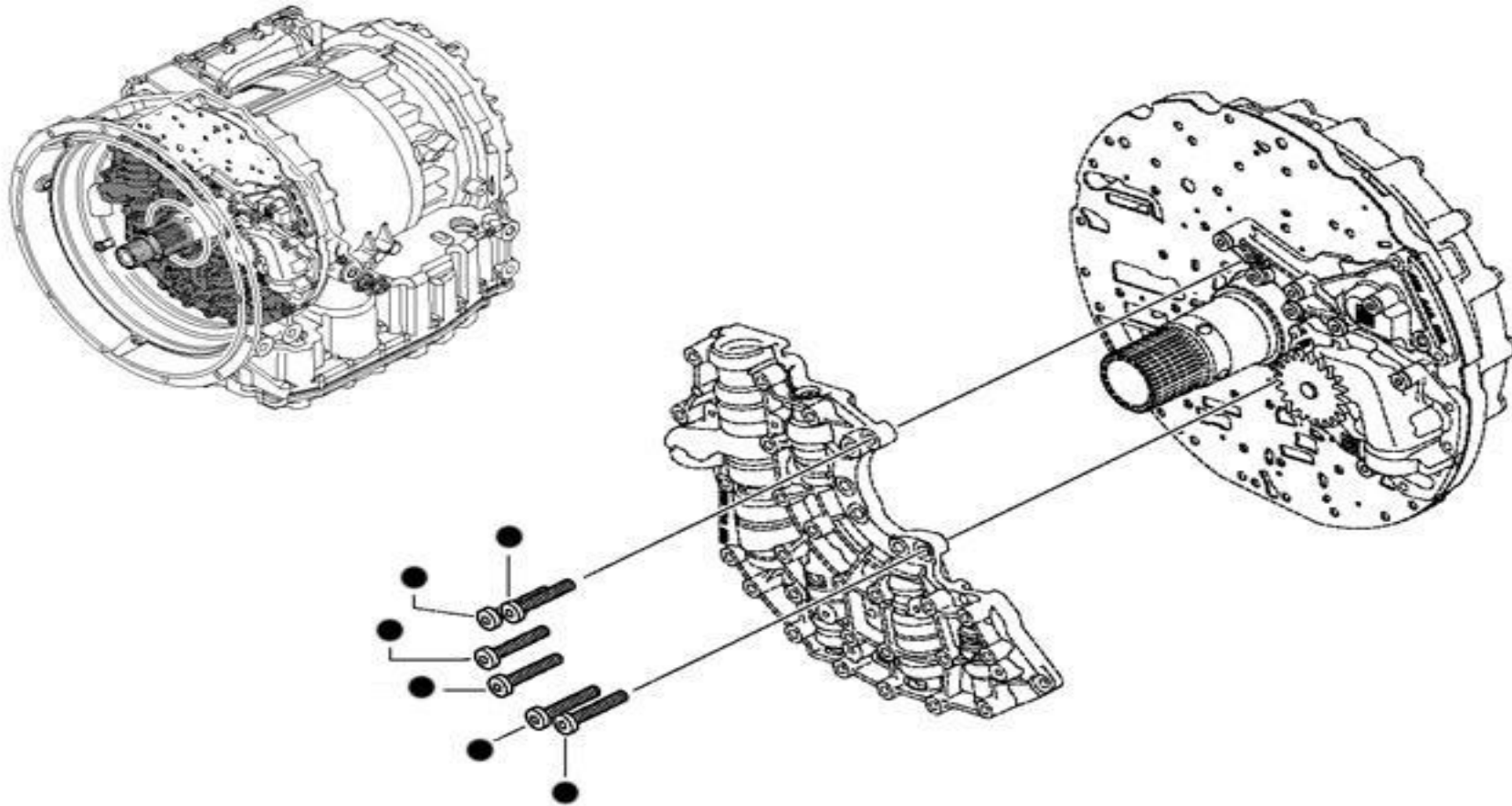
**Transmission-Shift**

**Auto Transmission**



Picture No: ISZFA1040

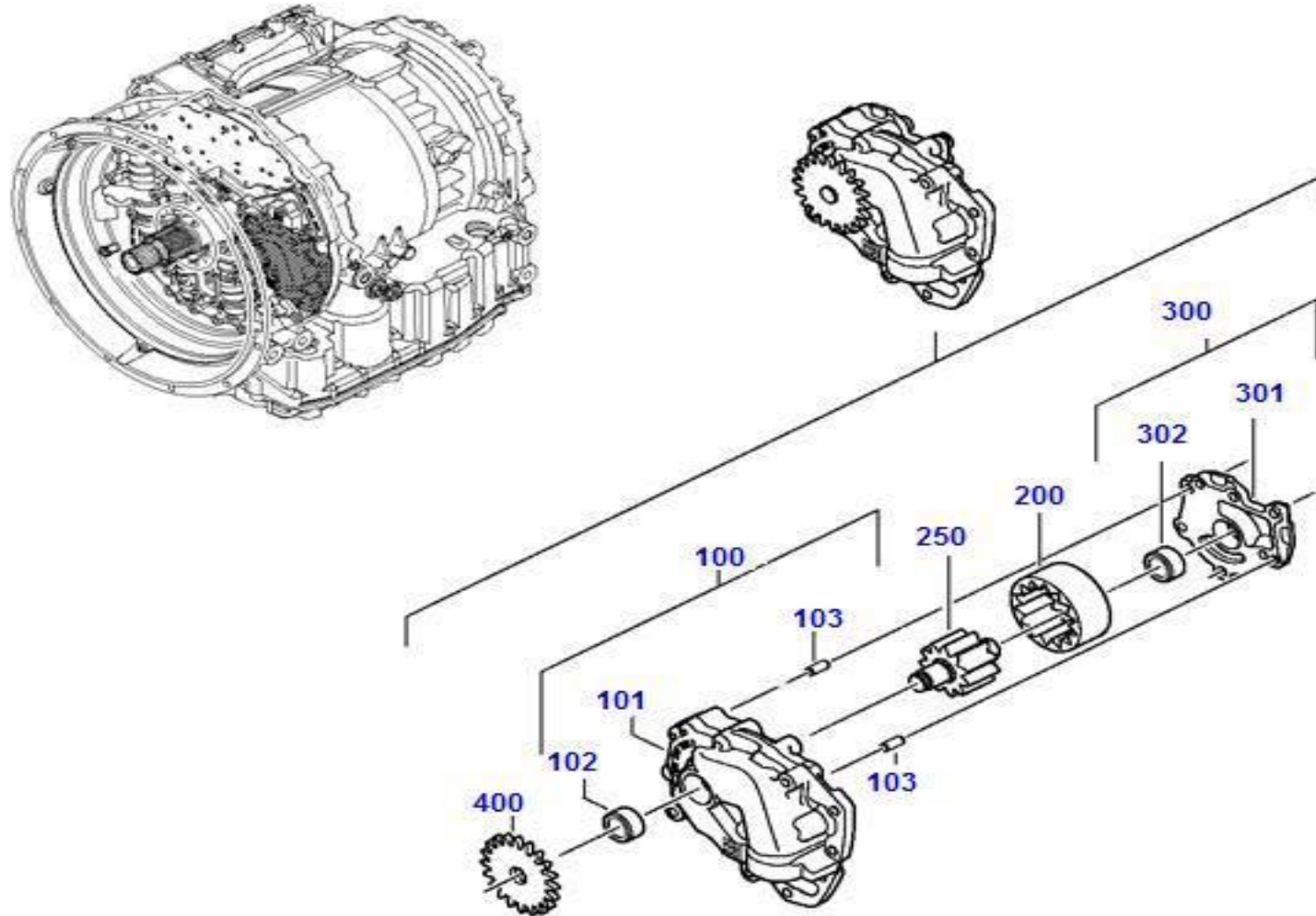
POZ	Part No	N.S.N	Code	Part Name (Türkçe)	Part Name (English)	Quantity
900	0736.300.202			<i>Auto Transmission</i> SECHSRUNDSCHR.	CAP SCREW	
Auto Transmission				Transmission-Shift		0301

**0301****Transmission-Shift****Auto Transmission**

● 950

Picture No: ISZFA1041

POZ	Part No	N.S.N	Code	Part Name (Türkçe)	Part Name (English)	Quantity
950	0736.300.215			Auto Transmission SECHSRUNDSCHR.	CAP SCREW	
<b>Auto Transmission</b>						
				<b>Transmission-Shift</b>	<b>0301</b>	

**0301****Transmission-Shift****Auto Transmission**

Picture No: ISZFA1042



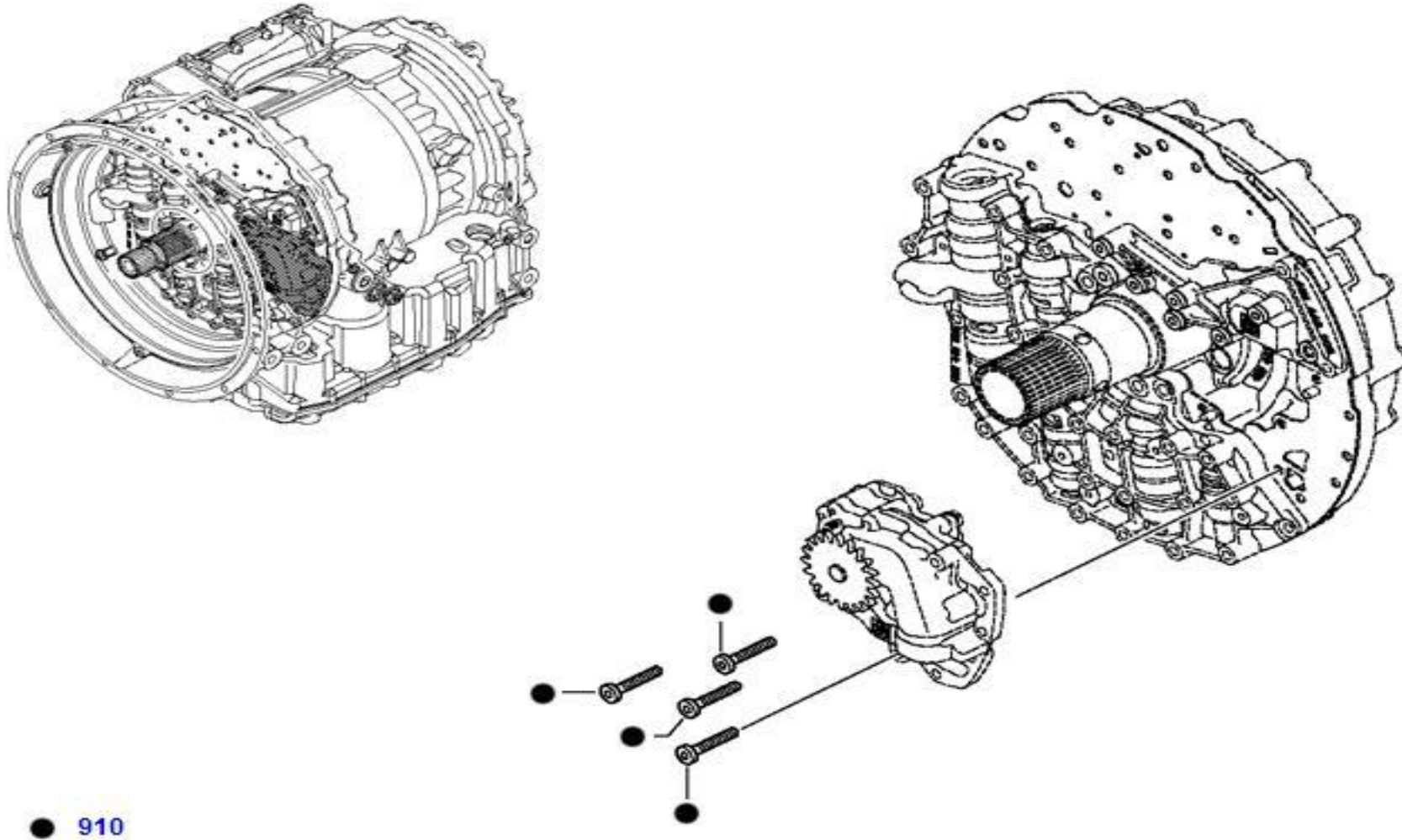
POZ	Part No	N.S.N	Code	Part Name (Türkçe)	Part Name (English)	Quantity
				<i>Auto Transmission</i>		
000	4181.147.803			PUMPCOVER	PUMPCOVER	
100	4181.247.017			PUMPENGEHAEUSE	INPUT SHAFT	
101	4181.347.027			PUMPENGEHAEUSE	INPUT GEAR	
102	0750.115.560			NEEDLE SLEEVE	NEEDLE SLEEVE	
103	0631.306.060			ZYLINDERSTIFT	CYLINDRICAL PIN	
200	4181.347.016			HOHLRAD	INPUT GEAR	
250	4181.247.010			ANTRIEBSWELLE	INPUT SHAFT	
250	4181.347.017			ANTRIEBSWELLE	INPUT GEAR	
250	4181.347.015			ROTOR	INPUT GEAR	
300	4181.247.009			PUMPENDECKEL	INPUT SHAFT	
301	4181.347.014			PUMPENDECKEL	INPUT GEAR	
302	0750.115.560			NEEDLE SLEEVE	NEEDLE SLEEVE	
400	4181.347.022			ANTRIEBSRAD	INPUT GEAR	
<b>Auto Transmission</b>				<b>Transmission-Shift</b>		<b>0301</b>



**0301**

**Transmission-Shift**

**Auto Transmission**



Picture No: ISZFA1043

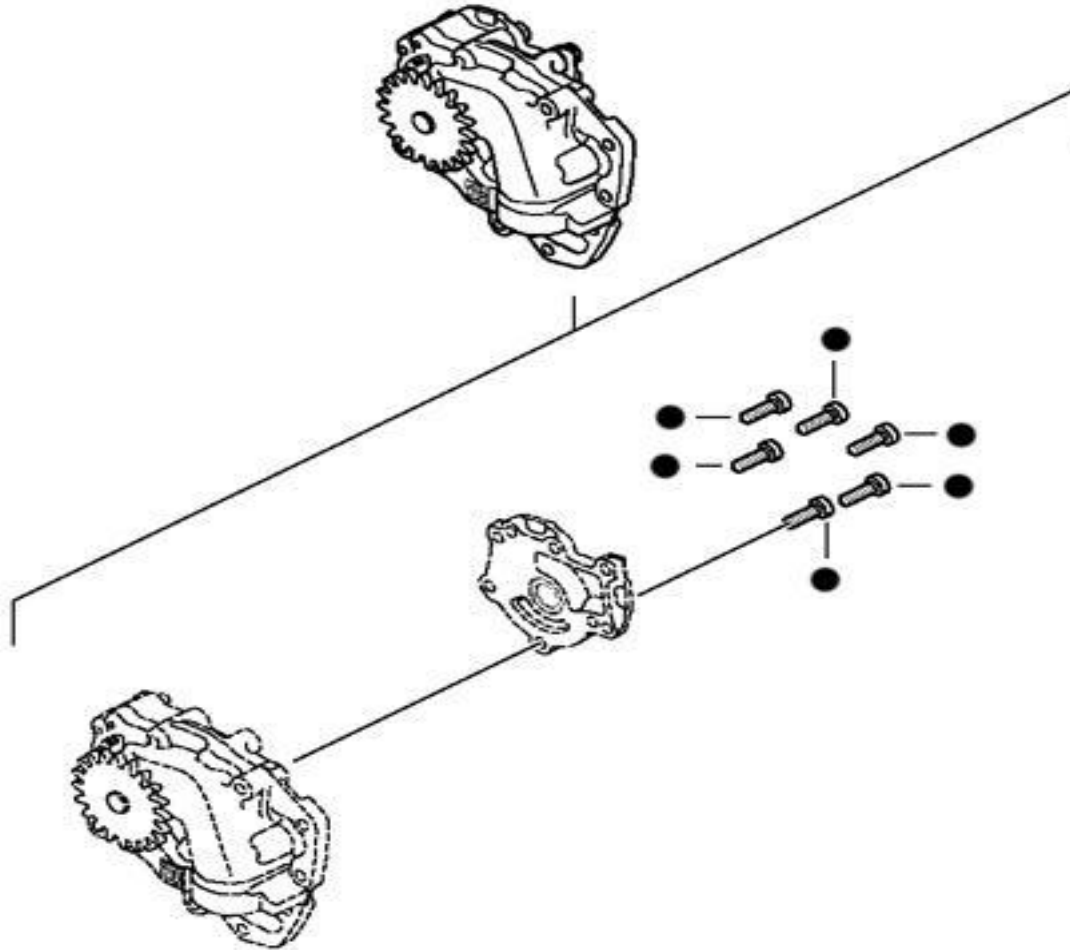
POZ	Part No	N.S.N	Code	Part Name (Türkçe)	Part Name (English)	Quantity
910	0736.300.201			<i>Auto Transmission</i> SECHSRUNDSCHR.	CAP SCREW	
Auto Transmission				Transmission-Shift		0301

**0301**

**Transmission-Shift**

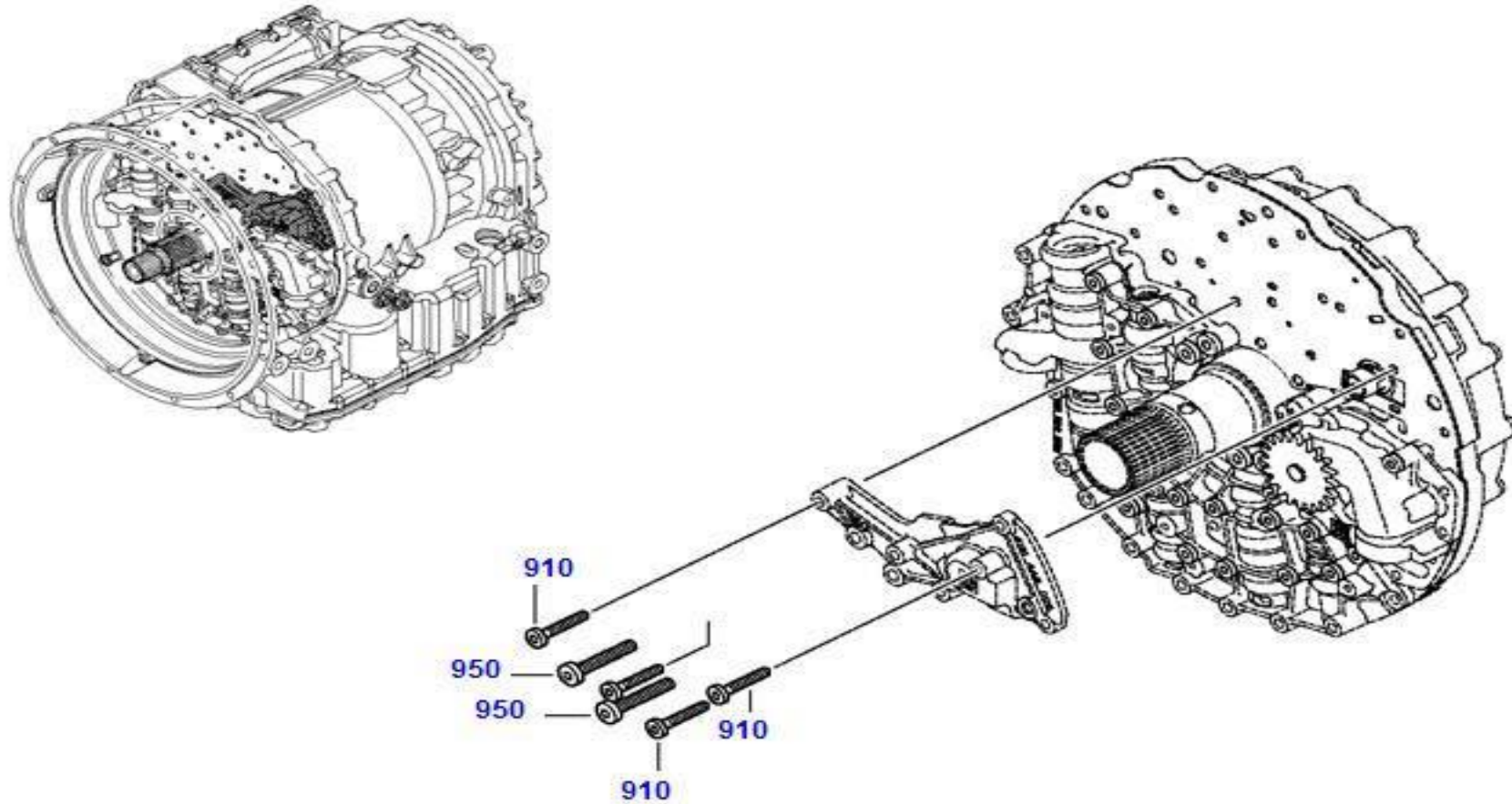
**Auto Transmission**

● 910



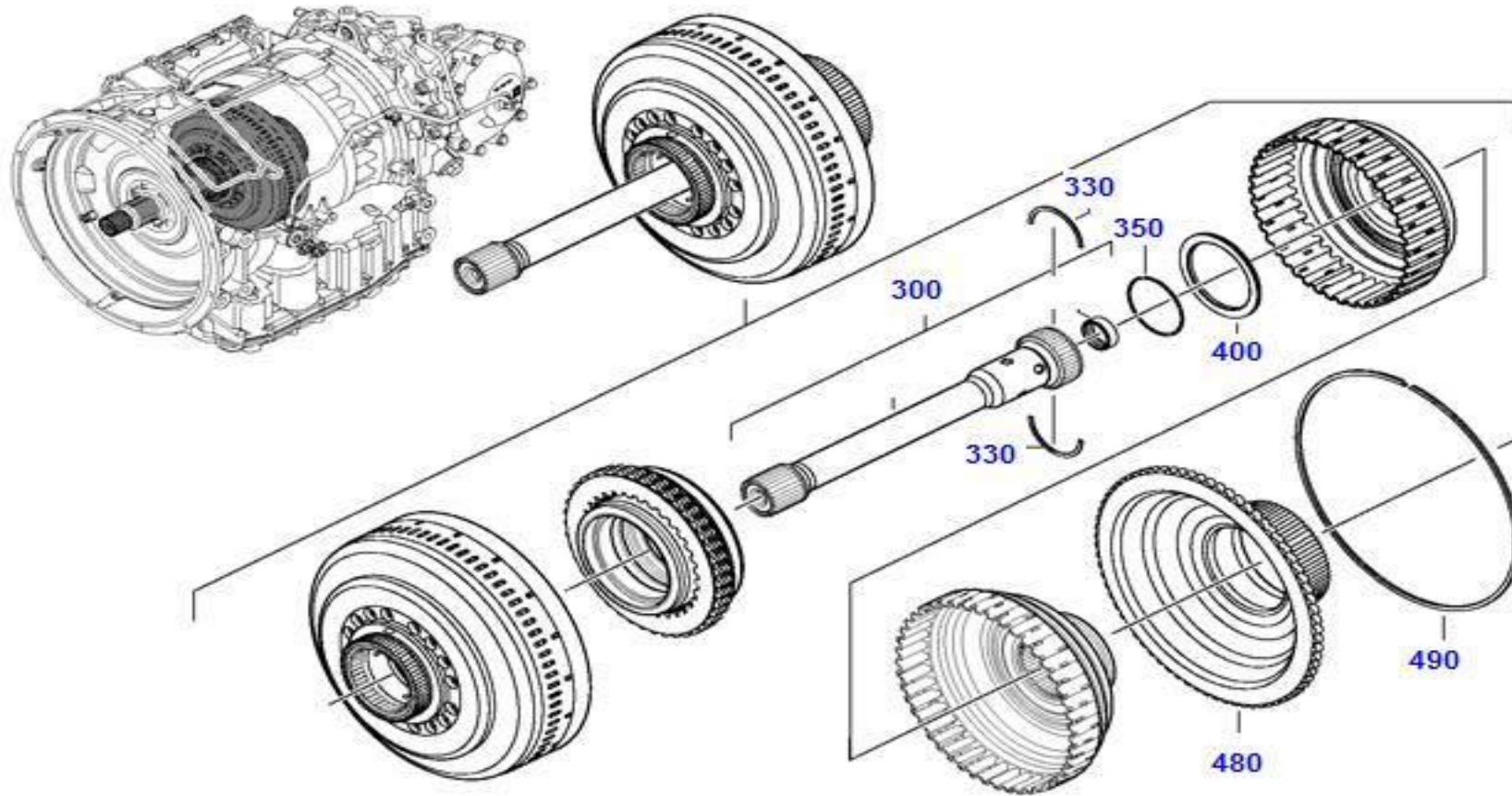
Picture No: ISZFA1044

POZ	Part No	N.S.N	Code	Part Name (Türkçe)	Part Name (English)	Quantity
910	0736.300.212			<i>Auto Transmission</i> SECHSRUNDSCHR.	CAP SCREW	
Auto Transmission				Transmission-Shift		0301

**0301****Transmission-Shift****Auto Transmission**

Picture No: ISZFA1045

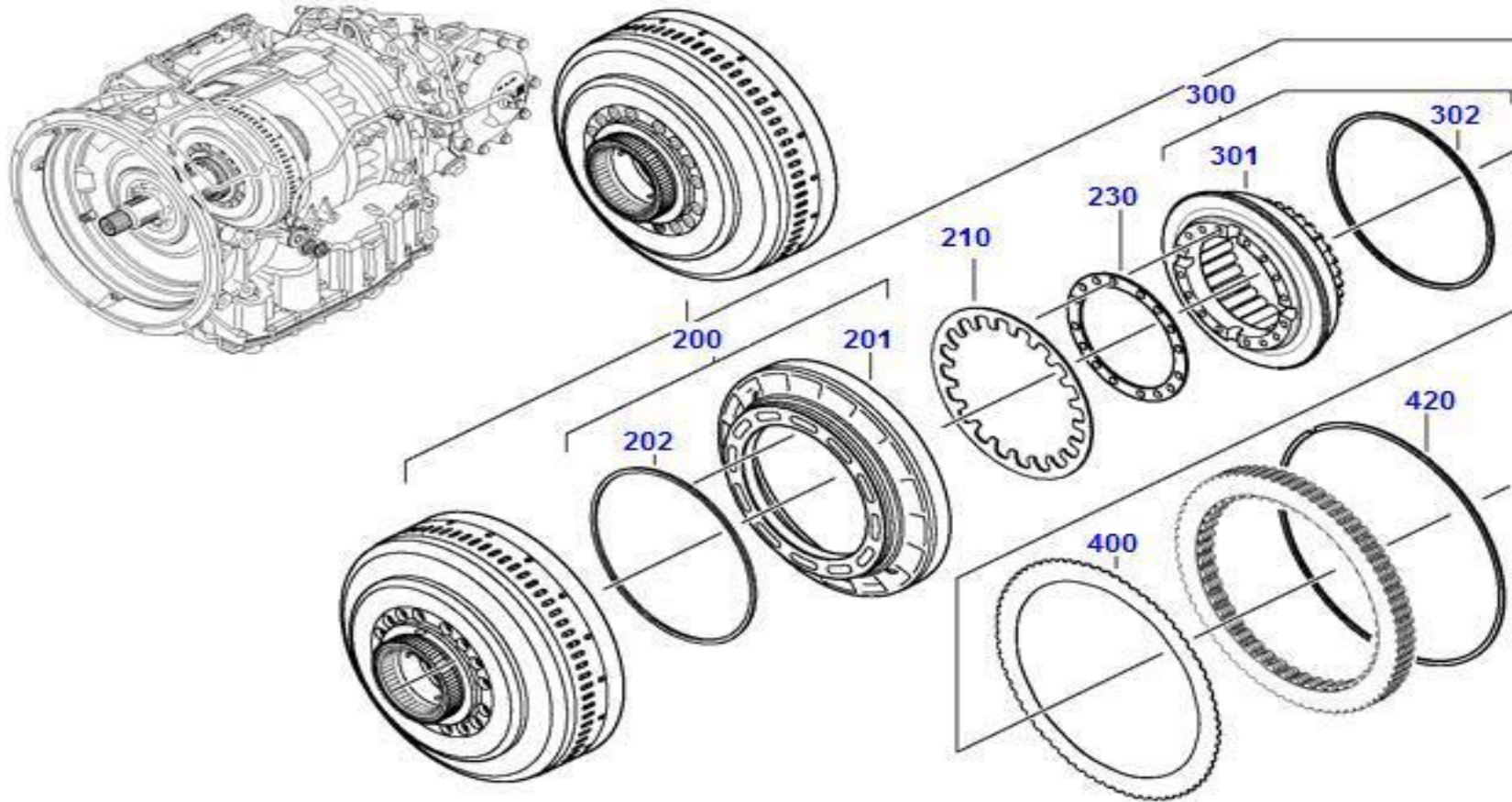


**0301****Transmission-Shift****Auto Transmission**

Picture No: ISZFA1046

POZ	Part No	N.S.N	Code	Part Name (Türkçe)	Part Name (English)	Quantity
				<i>Auto Transmission</i>		
000	4181.151.052			COUPLING B	COUPLING B	
000	4181.154.030			COUPLING A	COUPLING A	
000	4181.157.002			INPUT SHAFT	INPUT SHAFT	
000	4181.158.006			QUILL SHAFT	QUILL SHAFT	
300	4181.250.010			TURBINENWELLE	TURBINE SHAFT	
330	4181.350.023			GETEILTER RING	SPLIT RING	
350	0730.514.001			SICHERUNGSRING	CIRCLIP	
400	0735.368.151			AXIALNADELLAGER	AXIAL NEEDLE BEARING	
480	4181.295.050			SONNENRAD	HUB	
490	0730.513.992			SPRENGRING	SNAP RING	
<b>Auto Transmission</b>				<b>Transmission-Shift</b>		<b>0301</b>



**0301****Transmission-Shift****Auto Transmission**

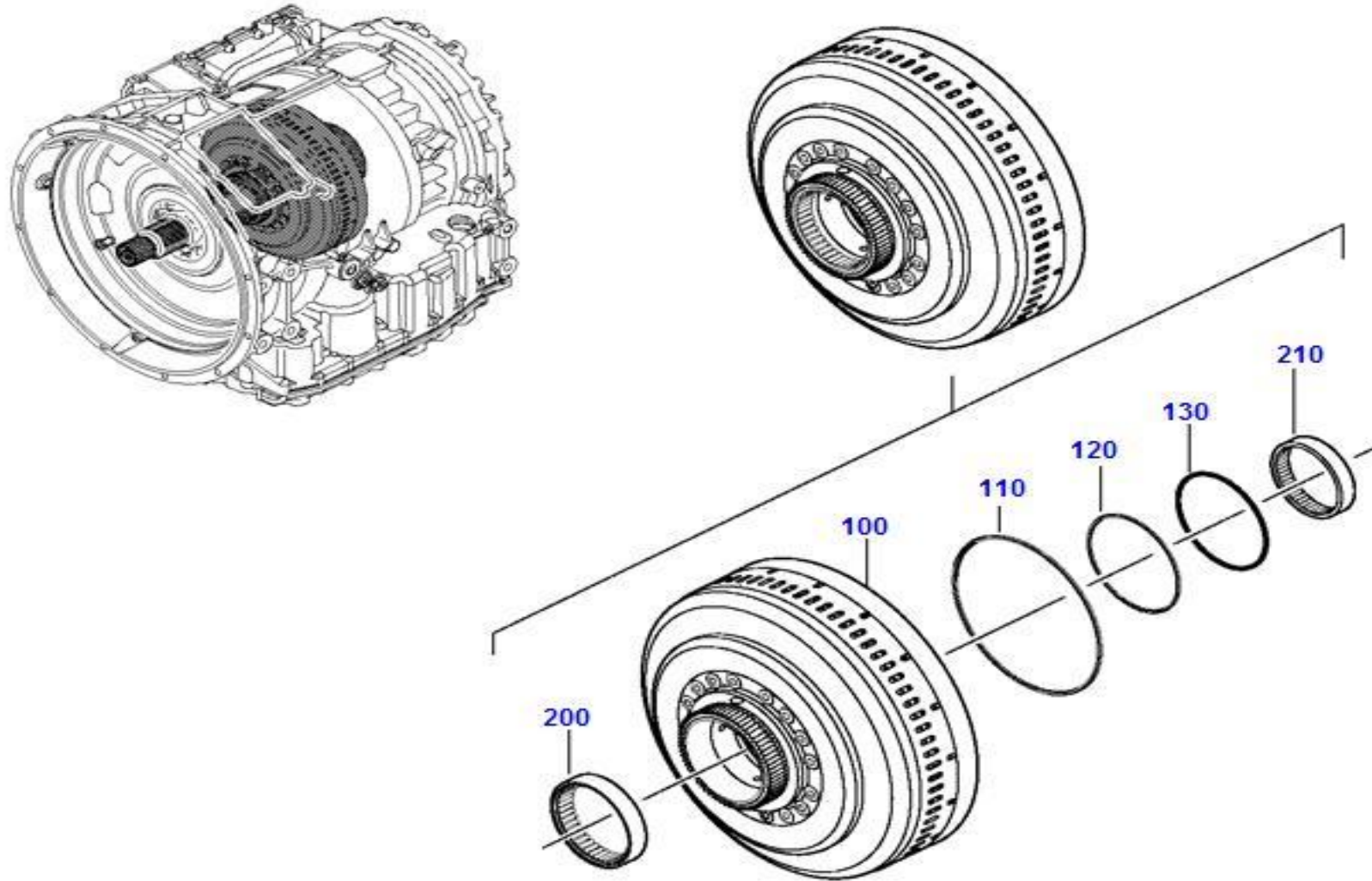
Picture No: ISZFA1047

POZ	Part No	N.S.N	Code	Part Name (Türkçe)	Part Name (English)	Quantity
				<i>Auto Transmission</i>		
000	4181.152.007			HUB	HUB	
000	4181.152.804			OIL DAM	OIL DAM	
000	4181.128.011			MULTIDISK PACKAGE	MULTIDISK PACKAGE	
200	4181.251.052			KOLBEN	OIL DAM	
201	4181.351.011			KOLBEN	PISTON	
202	0501.324.122			DICHTRING	BRAKE CYLINDER	
210	0501.321.662			TELLERFEDER	ANGLE DISC	
230	0501.214.932			DICHTUNG	GASKET	
300	4181.251.030			STAUSCHEIBE	OIL DAM	
301	4181.295.075			OIL DAM	OIL DAM	
302	0501.322.865			DICHTRING	BALL JOINT	
400	4181.327.001			WELLFEDER	SEGMENT	
420	0730.513.975			SPRENGRING	SNAP RING	
<b>Auto Transmission</b>				<b>Transmission-Shift</b>		<b>0301</b>

**0301**

**Transmission-Shift**

**Auto Transmission**



Picture No: ISZFA1048



POZ	Part No	N.S.N	Code	Part Name (Türkçe)	Part Name (English)	Quantity
				<i>Auto Transmission</i>		
100	4181.295.064			NABE	HUB	
110	0501.322.857			DICHTRING	BALL JOINT	
120	0501.322.858			DICHTRING	BALL JOINT	
130	0501.322.910			O-RING	BALL JOINT	
200	0735.298.307			NADELHUELSE	NEEDLE SLEEVE	
210	0735.298.306			NADELHUELSE	NEEDLE SLEEVE	

Auto Transmission

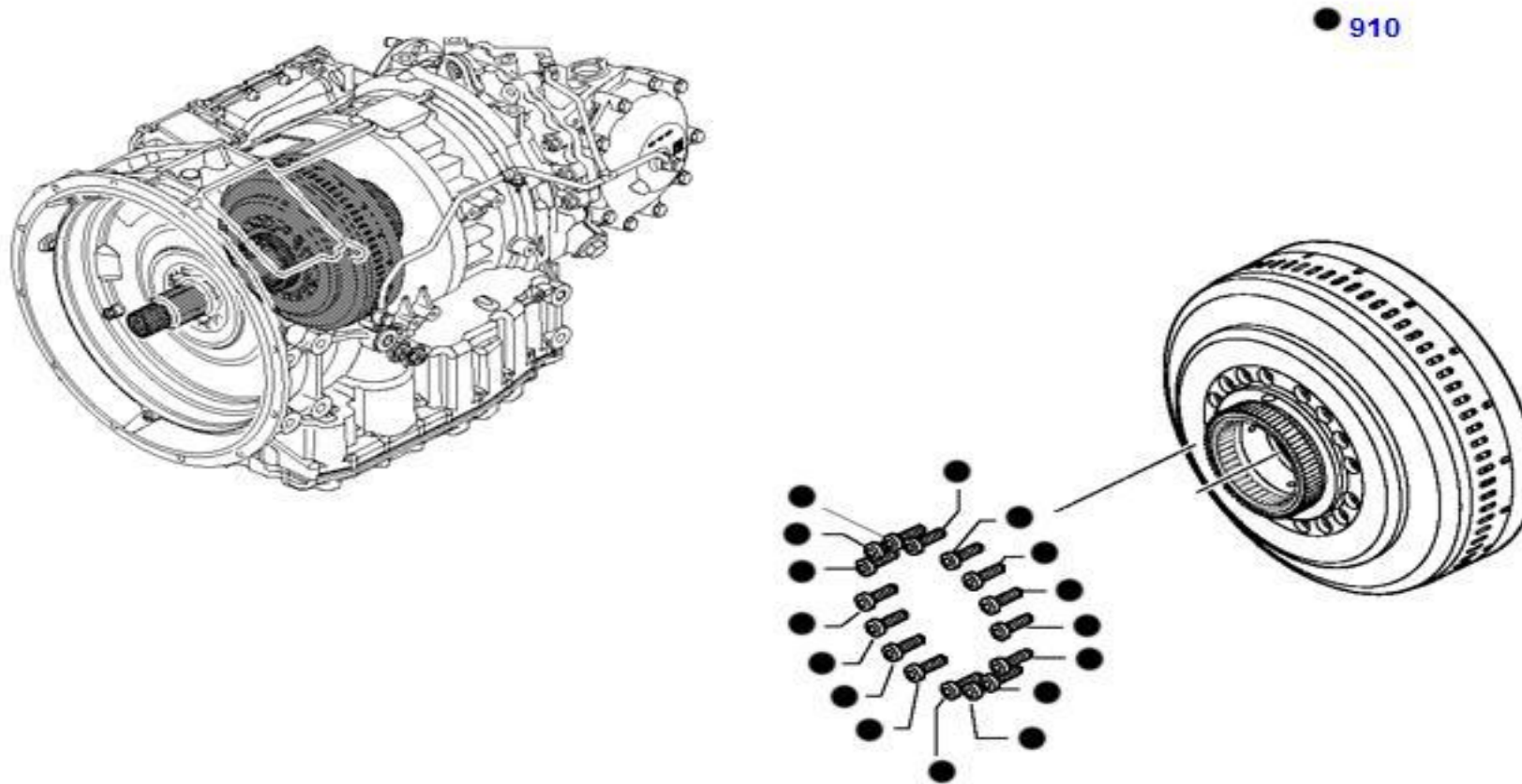
Transmission-Shift

0301

**0301**

**Transmission-Shift**

**Auto Transmission**



Picture No: ISZFA1049

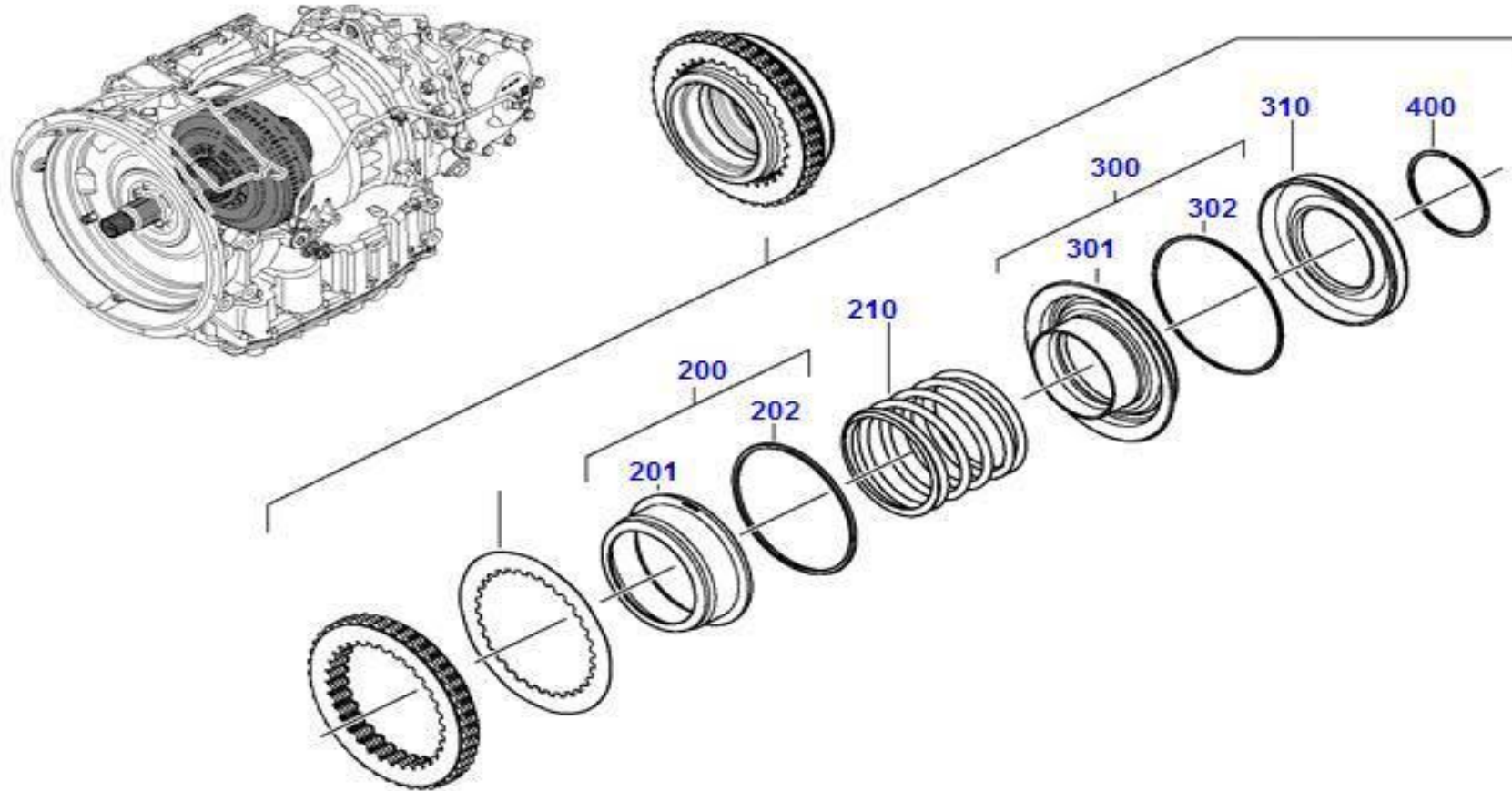
POZ	Part No	N.S.N	Code	Part Name (Türkçe)	Part Name (English)	Quantity
910	0736.300.212			<i>Auto Transmission</i> SECHSRUNDSCHR.	CAP SCREW	
Auto Transmission				Transmission-Shift		0301



**0301**

**Transmission-Shift**

**Auto Transmission**



Picture No: ISZFA1050

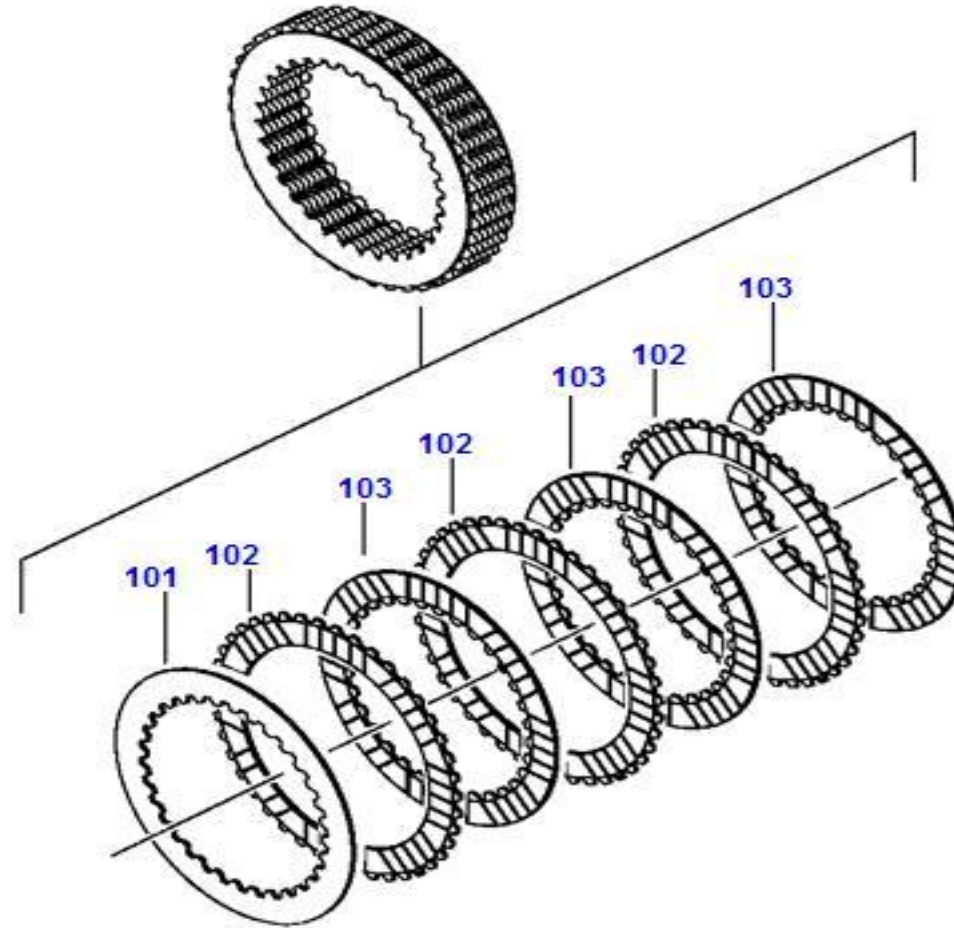
POZ	Part No	N.S.N	Code	Part Name (Türkçe)	Part Name (English)	Quantity
				<i>Auto Transmission</i>		
100	4181.155.010			MULTIDISK PACKAGE	MULTIDISK PACKAGE	
200	4181.254.006			STAUSCHEIBE	OIL DAM	
201	4181.354.001			STAUSCHEIBE	OIL DAM	
202	0501.322.864			LIPPENDICHTRING	BALL JOINT	
210	0732.042.962			DRUCKFEDER	COMPRESSION SPRING	
300	4181.254.008			KOLBEN	OIL DAM	
301	4181.354.008			KOLBEN	OIL DAM	
302	0501.322.860			DICHTRING	BALL JOINT	
310	4181.354.006			DRUCKSCHEIBE	OIL DAM	
400	0730.514.788			SPRENGRING	CIRCLIP	
				<b>Auto Transmission</b>	<b>Transmission-Shift</b>	<b>0301</b>



**0301**

**Transmission-Shift**

**Auto Transmission**



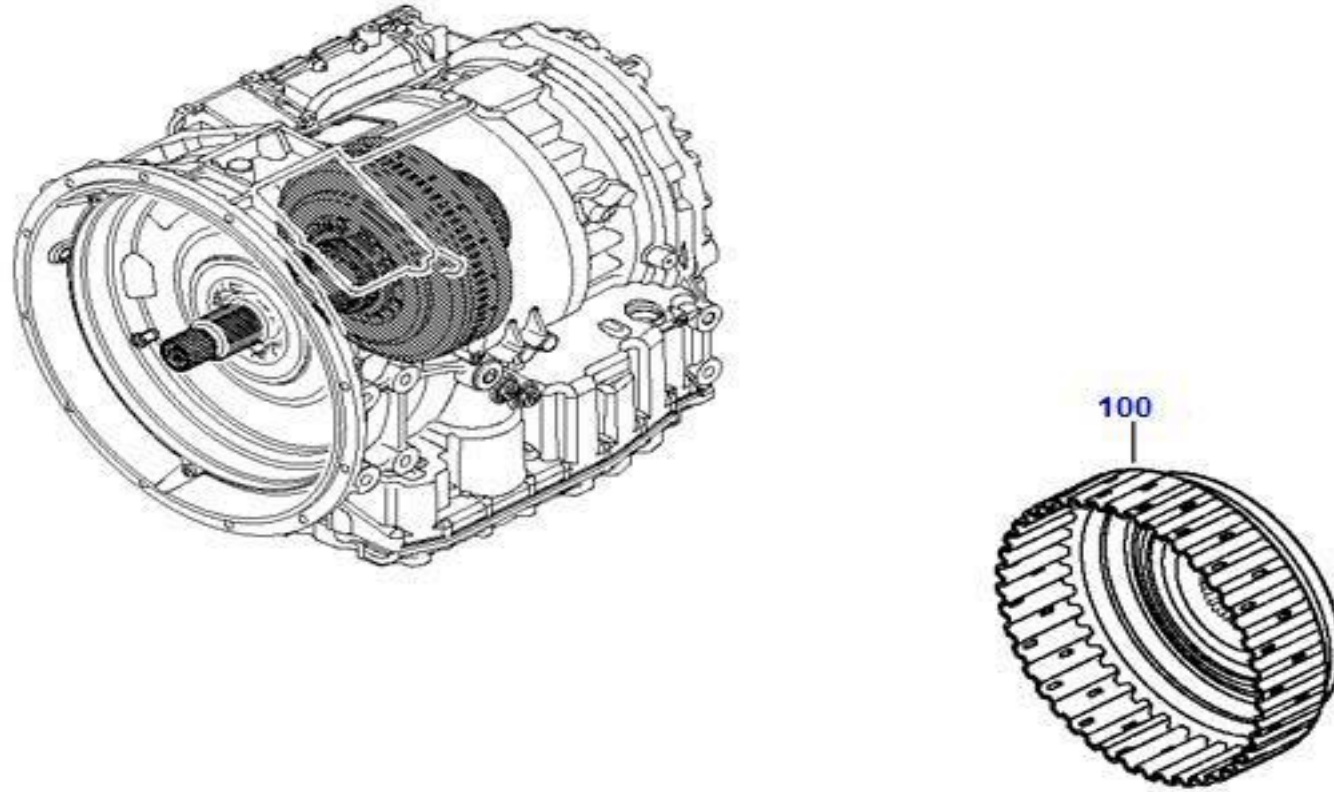
Picture No: ISZFA1051

POZ	Part No	N.S.N	Code	Part Name (Türkçe)	Part Name (English)	Quantity
				<i>Auto Transmission</i>		
101	4181.355.024			WASHER	WASHER	
101	4181.355.025			WASHER	WASHER	
101	4181.355.026			WASHER	WASHER	
102	4181.295.066			BELAGLAMELLE	HUB	
103	4181.295.065			BELAGLAMELLE	HUB	
Auto Transmission				Transmission-Shift		0301

**0301**

**Transmission-Shift**

**Auto Transmission**



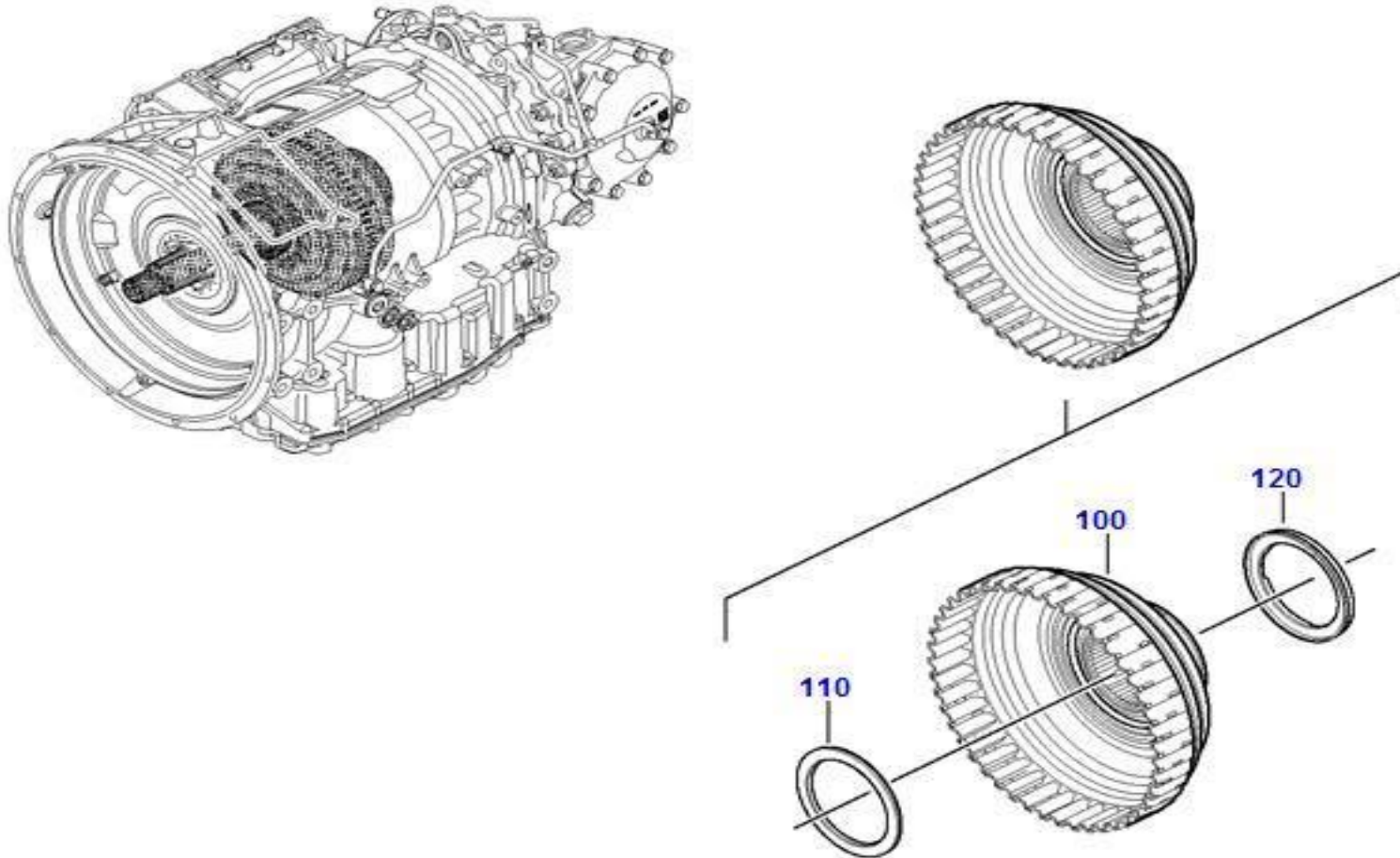
Picture No: ISZFA1052

POZ	Part No	N.S.N	Code	Part Name (Türkçe)	Part Name (English)	Quantity
100	4181.295.068			<i>Auto Transmission</i> ANTRIEBSWELLE	HUB	
Auto Transmission				Transmission-Shift		0301

**0301**

**Transmission-Shift**

**Auto Transmission**



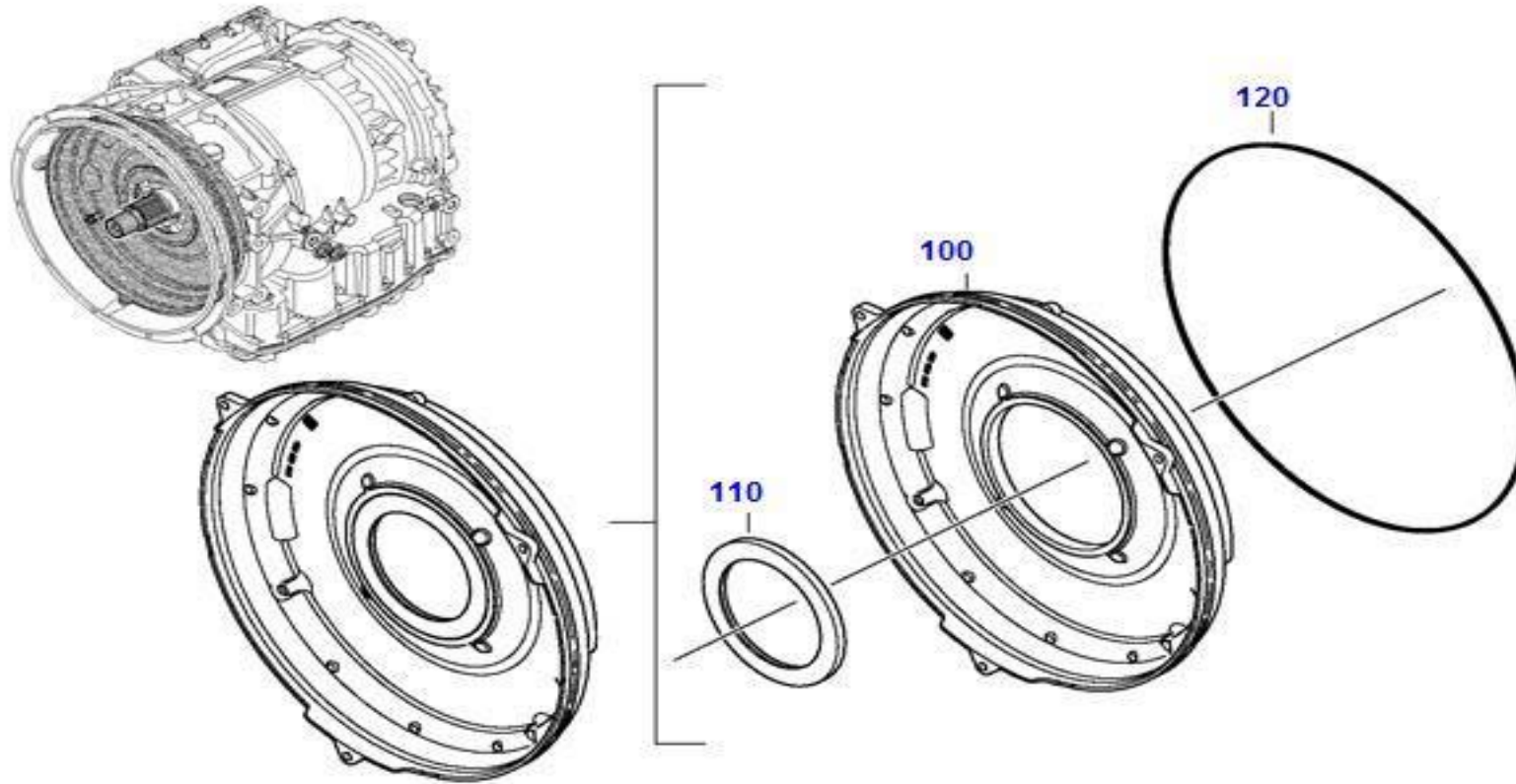
Picture No: ISZFA1053

POZ	Part No	N.S.N	Code	Part Name (Türkçe)	Part Name (English)	Quantity
				<i>Auto Transmission</i>		
100	4181.295.049			HOHLWELLE	HUB	
110	0735.368.151			AXIALNADELLAGER	AXIAL NEEDLE BEARING	
120	0735.368.152			AXIALNADELLAGER	AXIAL NEEDLE BEARING	
Auto Transmission				Transmission-Shift		0301

**0301**

**Transmission-Shift**

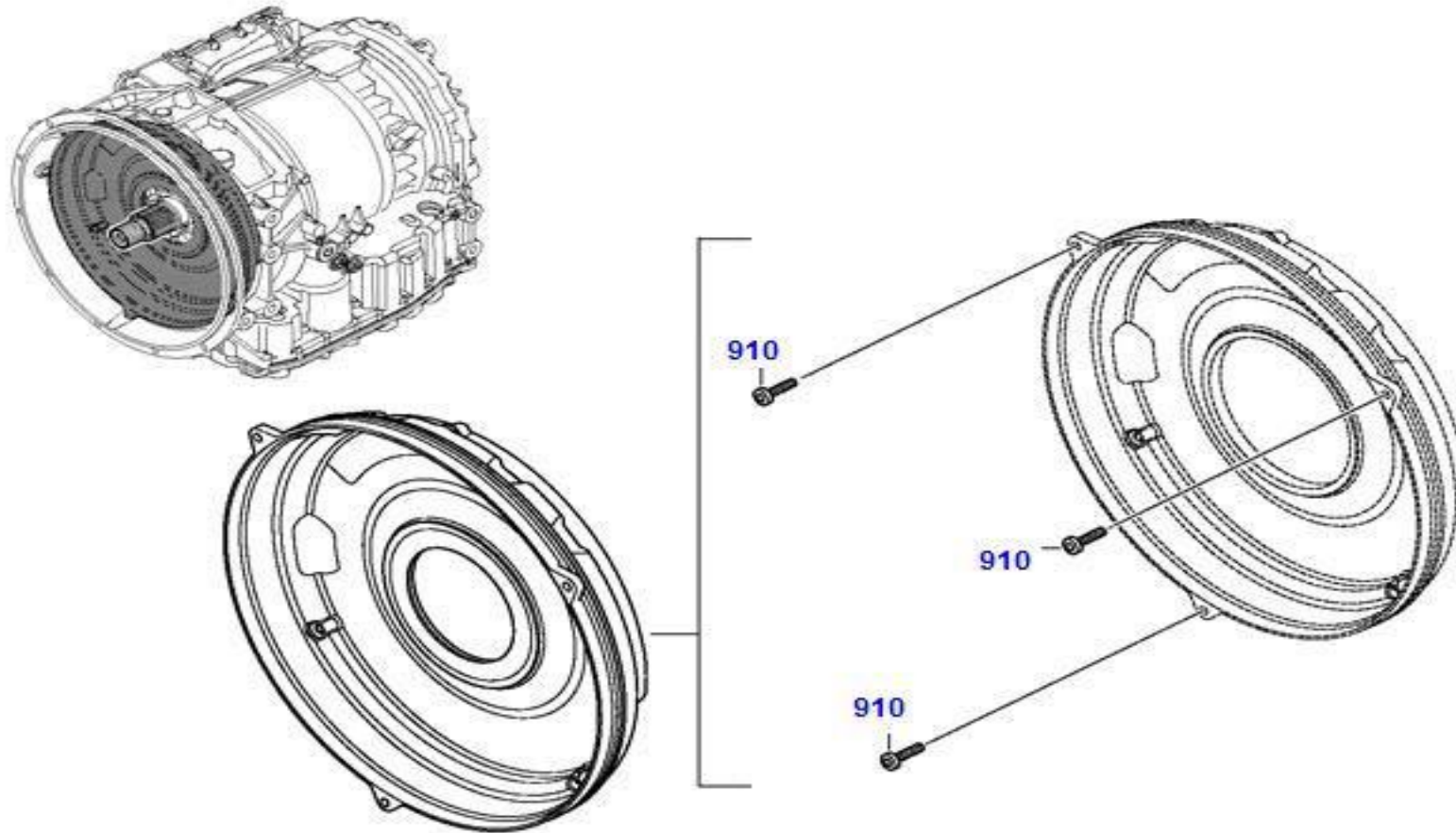
**Auto Transmission**



Picture No: ISZFA1054

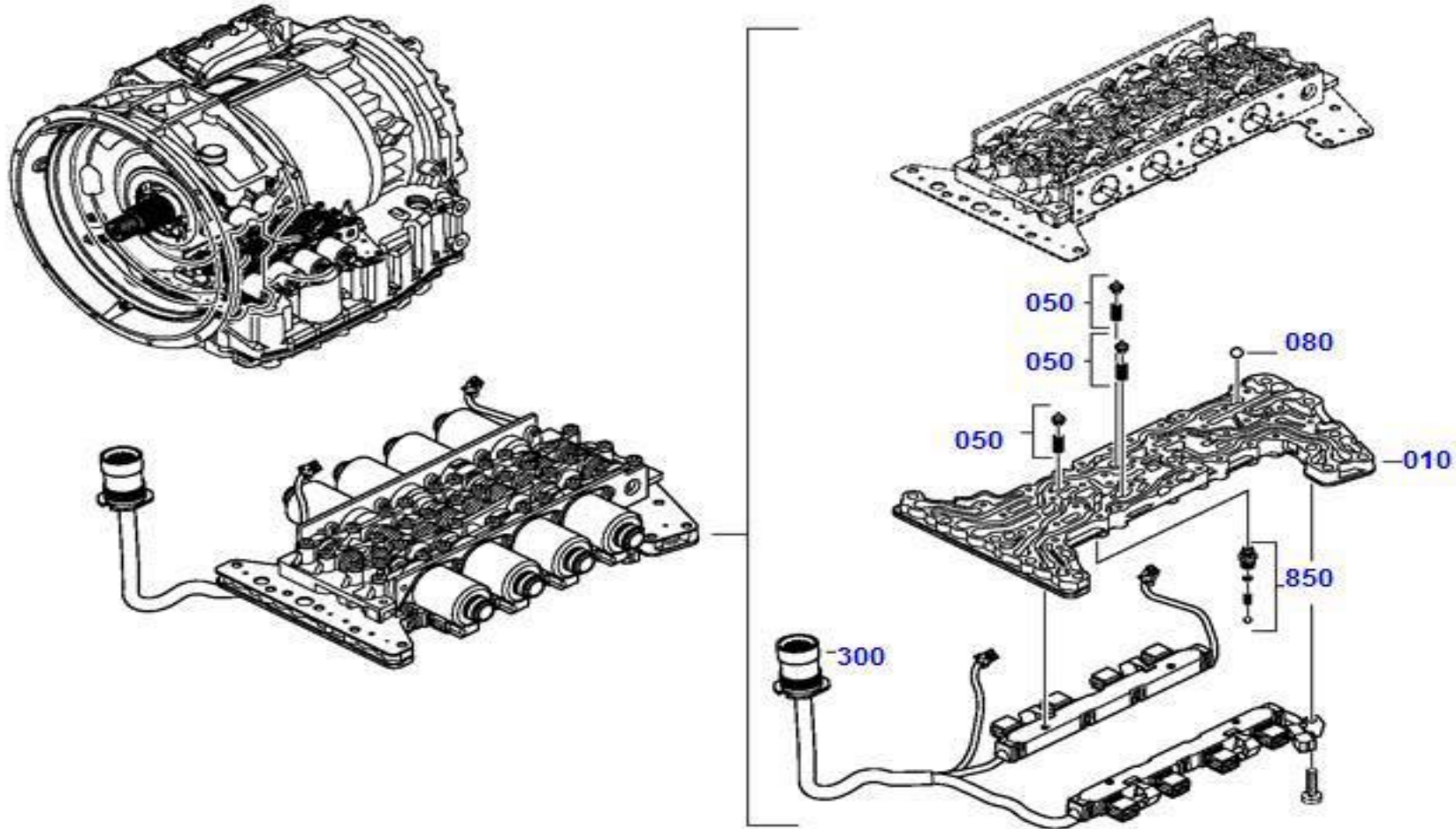
POZ	Part No	N.S.N	Code	Part Name (Türkçe)	Part Name (English)	Quantity
				<i>Auto Transmission</i>		
100	4181.360.003			DECKPLATTE	COVER PLATE	
110	0734.319.791			WELLENDICHTRING	CASSETTE RING	
120	0501.325.573			O-RING	AXIAL WASHER	
Auto Transmission				Transmission-Shift		0301



**0301****Transmission-Shift****Auto Transmission**

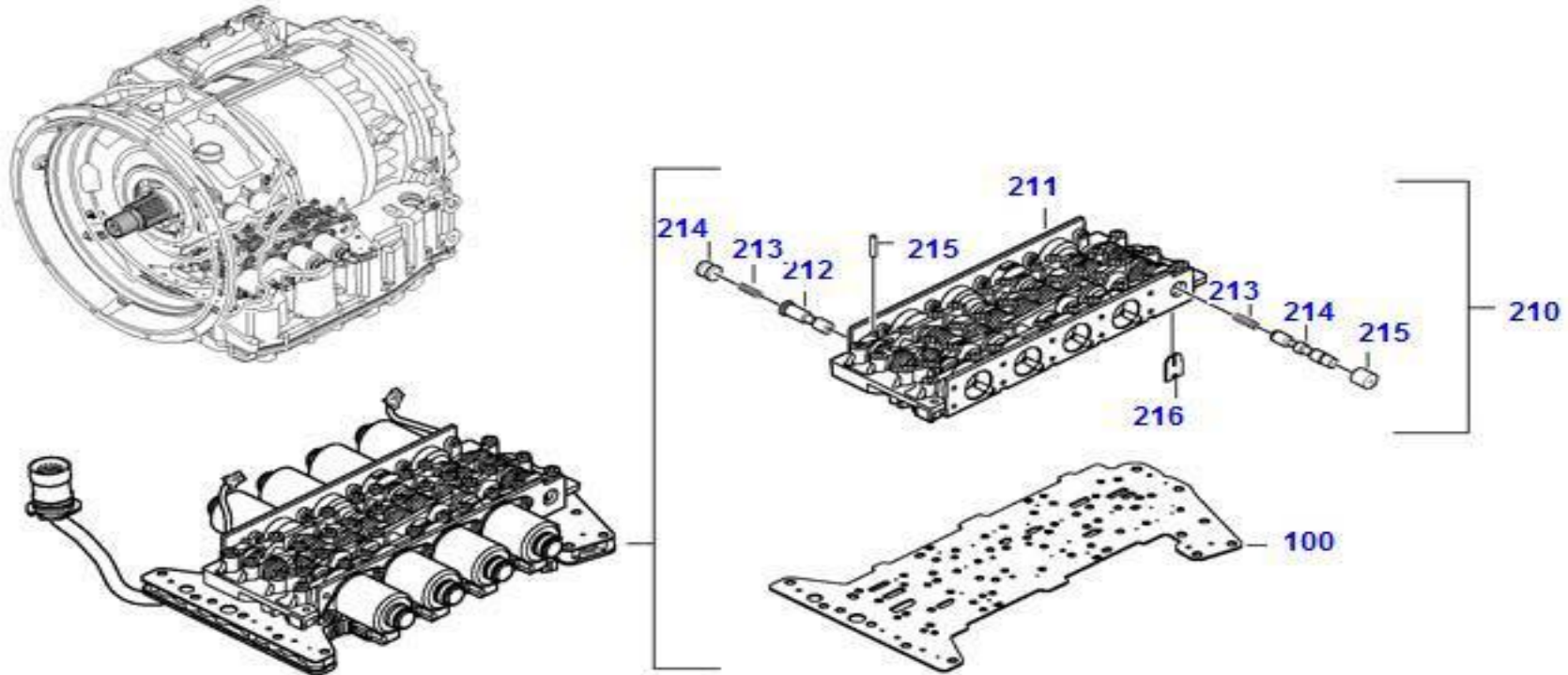
Picture No: ISZFA1055

POZ	Part No	N.S.N	Code	Part Name (Türkçe)	Part Name (English)	Quantity
910	0736.300.200			<i>Auto Transmission</i> SECHSRUNDSCHR.	CAP SCREW	
Auto Transmission				Transmission-Shift		0301

**0301****Transmission-Shift****Auto Transmission**

Picture No: ISZFA1056

POZ	Part No	N.S.N	Code	Part Name (Türkçe)	Part Name (English)	Quantity
				<i>Auto Transmission</i>		
000	4181.170.803			VALVE BLOCK	VALVE BLOCK	
010	4181.370.080			KANALPLATTE	DUCT PLATE	
050	1068.227.022			VENTIL	VALVE	
080	0635.460.021			KUGEL	BALL	
300	6029.039.090			KABEL ECOLIFE	CABLE ECOLIFE	
850	4181.270.020			VENTIL	VALVE	
				<b>Auto Transmission</b>	<b>Transmission-Shift</b>	<b>0301</b>

**0301****Transmission-Shift****Auto Transmission**

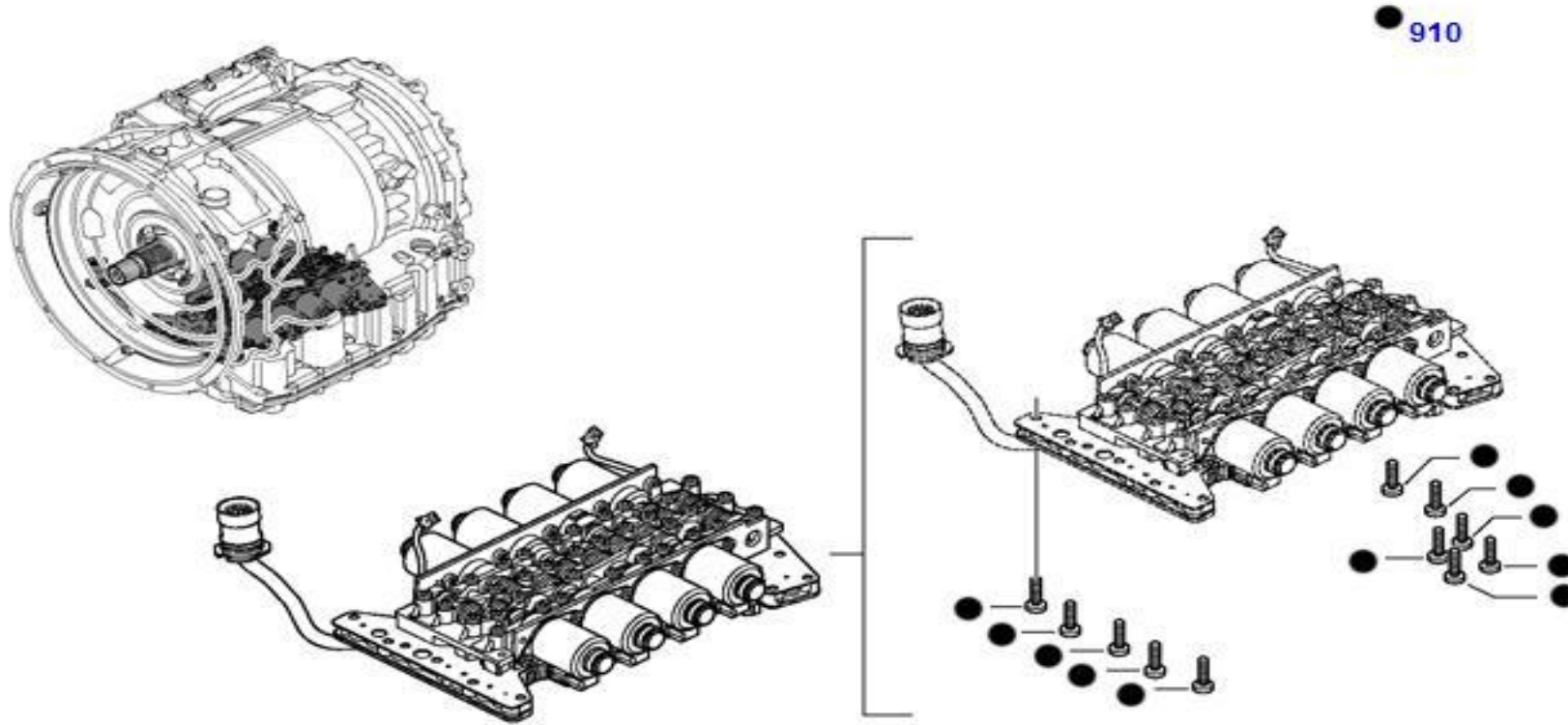
Picture No: ISZFA1057

POZ	Part No	N.S.N	Code	Part Name (Türkçe)	Part Name (English)	Quantity
				<i>Auto Transmission</i>		
100	4181.370.081			ZWISCHENBLECH	DUCT PLATE	
210	4181.270.021			VENTILBLOCK	VALVE	
211	4181.370.067			VENTILBLOCK	DUCT PLATE	
212	4181.370.101			KOLBEN	DUCT PLATE	
213	0732.042.100			DRUCKFEDER	COMPRESSION SPRING	
214	4181.370.102			STOPFEN	DUCT PLATE	
214	4181.370.100			KOLBEN	DUCT PLATE	
215	0631.306.050			ZYLINDERSTIFT	CYLINDRICAL PIN	
215	4181.370.072			HUELSE	DUCT PLATE	
216	4181.370.092			HALTEBLECH	DUCT PLATE	
				<b>Auto Transmission</b>	<b>Transmission-Shift</b>	<b>0301</b>

**0301**

**Transmission-Shift**

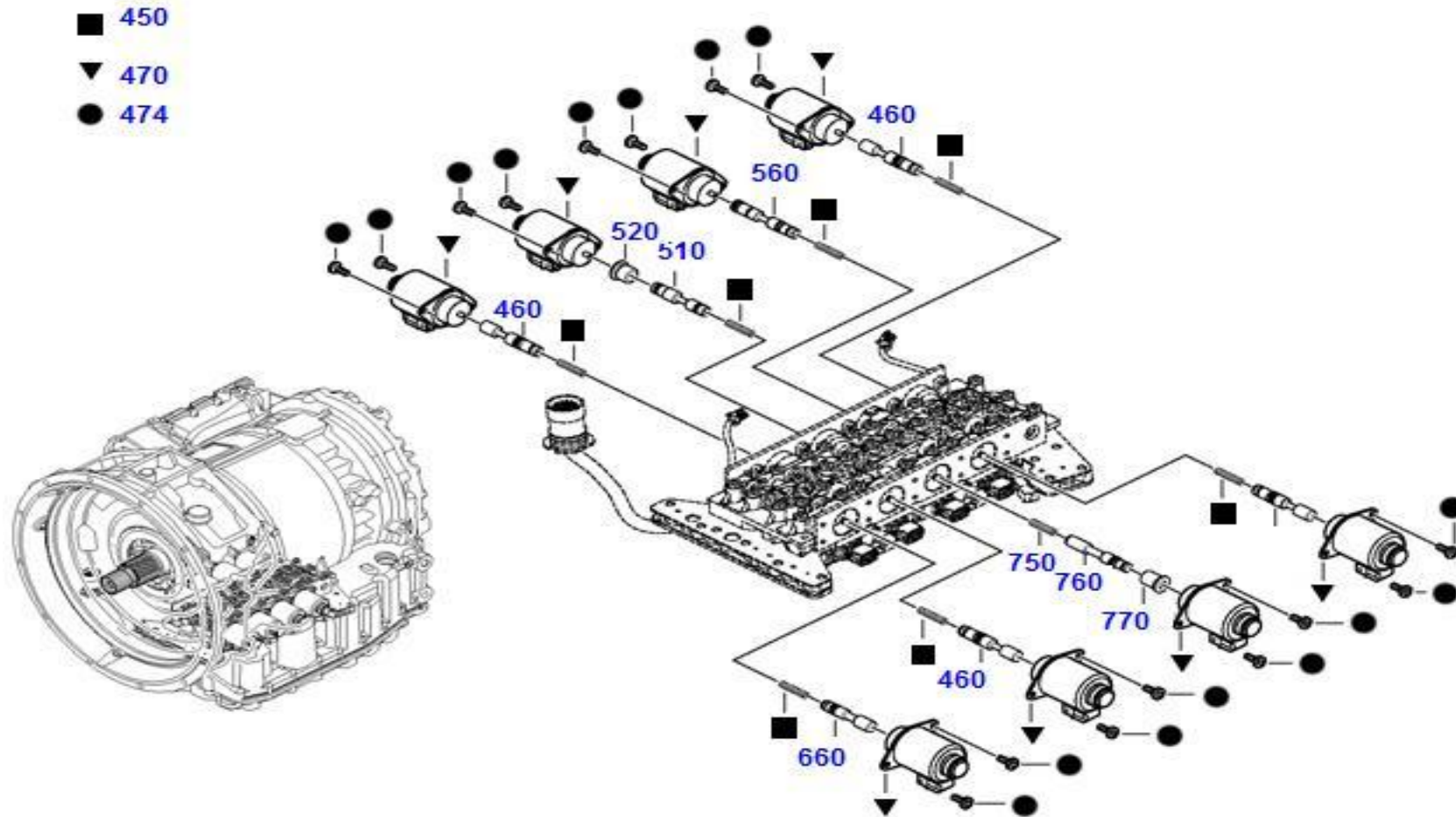
**Auto Transmission**



Picture No: ISZFA1058

POZ	Part No	N.S.N	Code	Part Name (Türkçe)	Part Name (English)	Quantity
910	0736.300.200			<i>Auto Transmission</i> SECHSRUNDSCHR.	CAP SCREW	
Auto Transmission				Transmission-Shift		0301



**0301****Transmission-Shift****Auto Transmission**

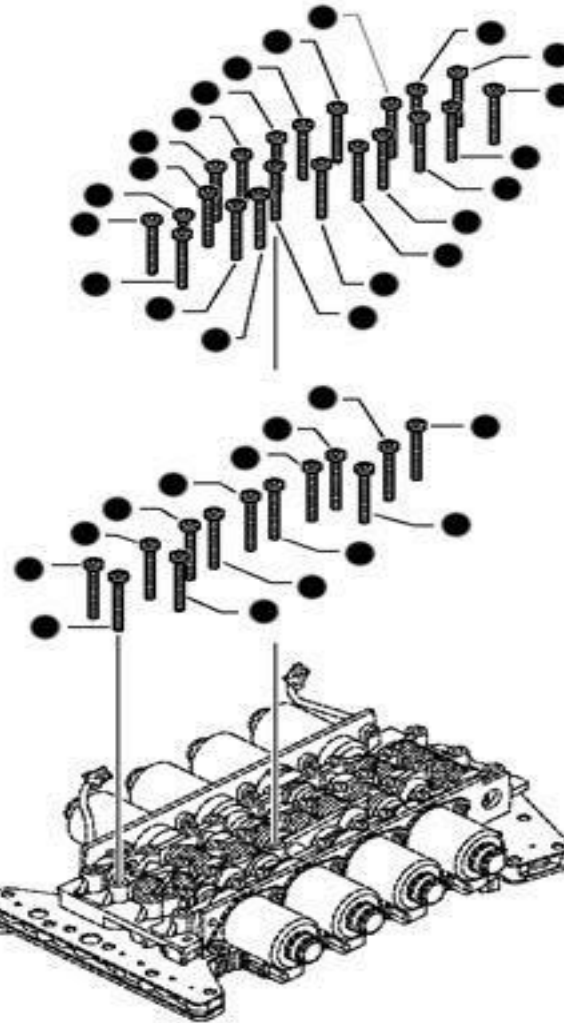
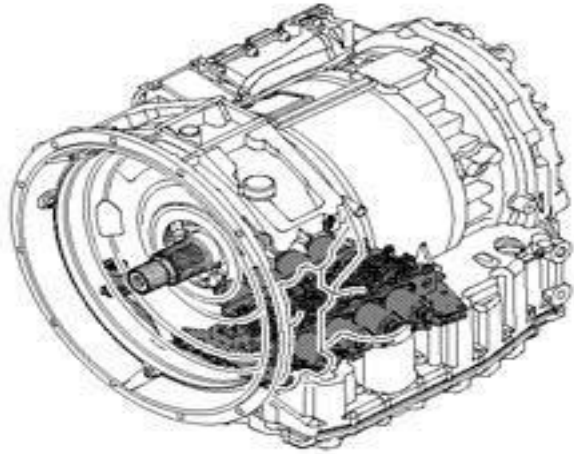
Picture No: ISZFA1059

POZ	Part No	N.S.N	Code	Part Name (Türkçe)	Part Name (English)	Quantity
				<i>Auto Transmission</i>		
450	0732.042.100			DRUCKFEDER	COMPRESSION SPRING	
460	4181.370.095			KOLBEN	DUCT PLATE	
470	0501.323.553			MAGNET	AIR SPRING BELLOWS	
474	0736.300.195			SECHSRUNDSCHR.	CAP SCREW	
510	4181.370.096			KOLBEN	DUCT PLATE	
520	4181.370.017			HUELSE	DUCT PLATE	
560	4181.370.099			KOLBEN	DUCT PLATE	
660	4181.370.097			KOLBEN	DUCT PLATE	
750	0732.041.979			DRUCKFEDER	COMPRESSION SPRING	
760	4181.370.098			KOLBEN	DUCT PLATE	
770	4181.370.077			HUELSE	DUCT PLATE	
<b>Auto Transmission</b>				<b>Transmission-Shift</b>		<b>0301</b>

**0301**

**Transmission-Shift**

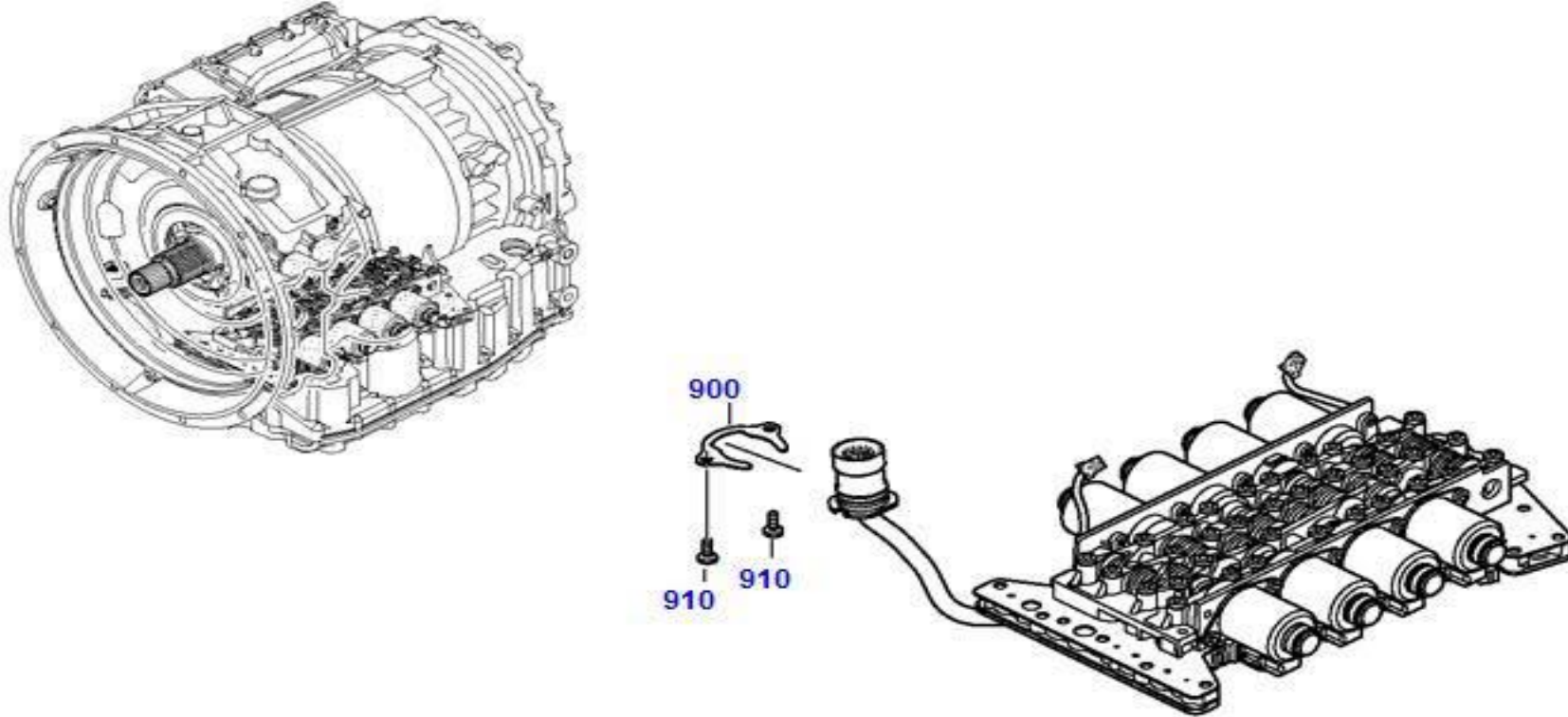
**Auto Transmission**



● 910

Picture No: ISZFA1060

POZ	Part No	N.S.N	Code	Part Name (Türkçe)	Part Name (English)	Quantity
910	0736.300.196			<i>Auto Transmission</i> SECHSRUNDSCHR.	CAP SCREW	
<b>Auto Transmission</b>						
<b>Transmission-Shift</b>					<b>0301</b>	

**0301****Transmission-Shift****Auto Transmission**

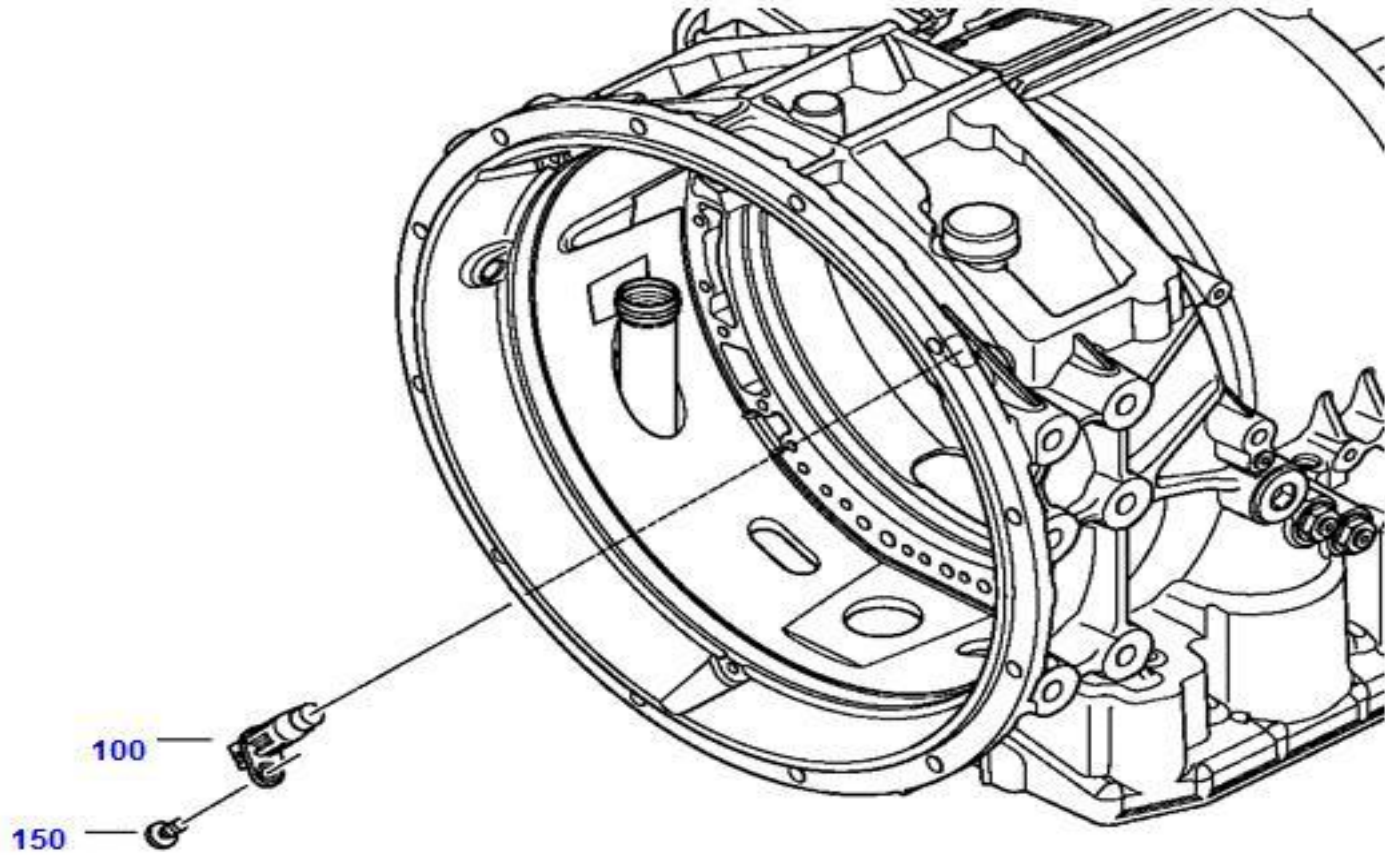
Picture No: ISZFA1061

POZ	Part No	N.S.N	Code	Part Name (Türkçe)	Part Name (English)	Quantity
				<i>Auto Transmission</i>		
900	4181.370.084			HALTEBLECH	DUCT PLATE	
910	0736.300.195			SECHSRUNDSCHR.	CAP SCREW	
Auto Transmission				Transmission-Shift		0301

**0301**

**Transmission-Shift**

**Auto Transmission**



Picture No: ISZFA1062

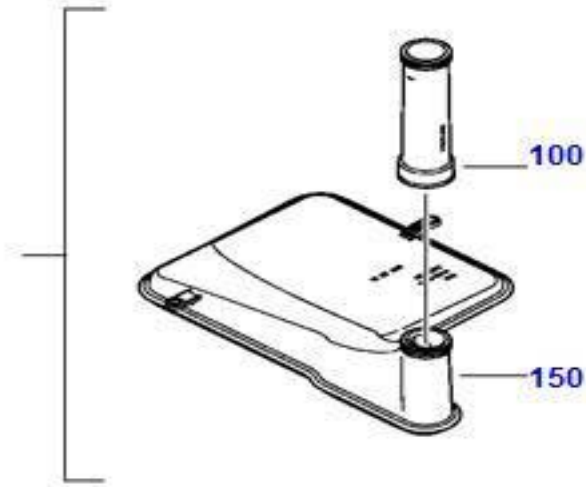
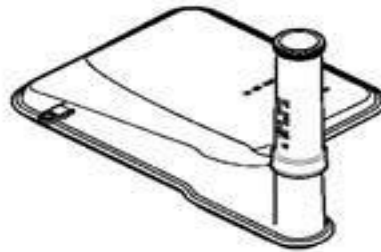
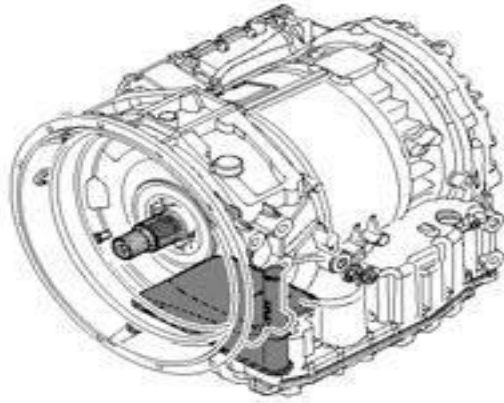




**0301**

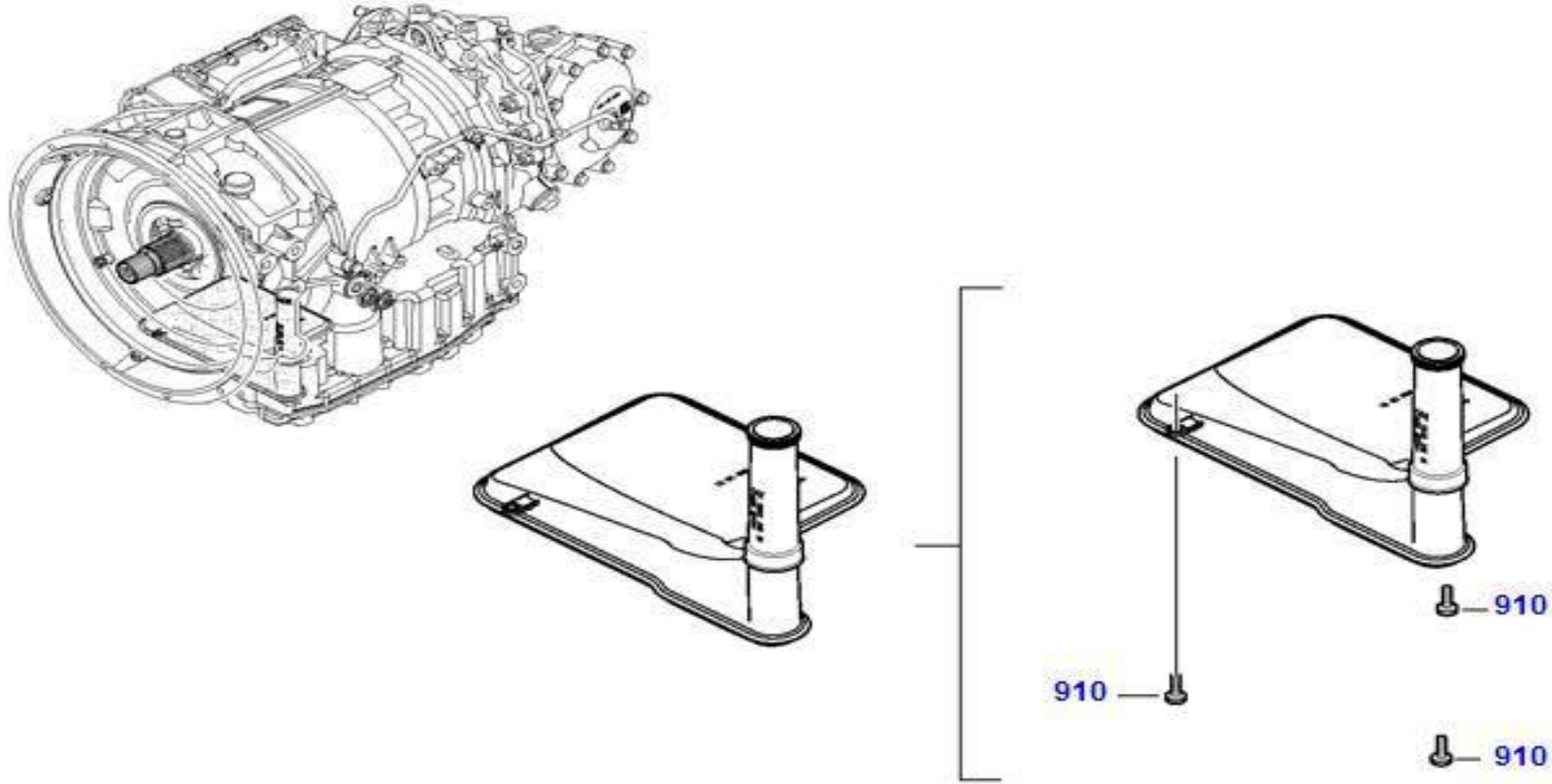
**Transmission-Shift**

**Auto Transmission**



Picture No: ISZFA1063

POZ	Part No	N.S.N	Code	Part Name (Türkçe)	Part Name (English)	Quantity
				<i>Auto Transmission</i>		
100	0501.215.111			SUCTION TUBE	SUCTION TUBE	
150	0501.217.460			SAUGFILTER	OIL COOLER	
Auto Transmission				Transmission-Shift		0301

**0301****Transmission-Shift****Auto Transmission**

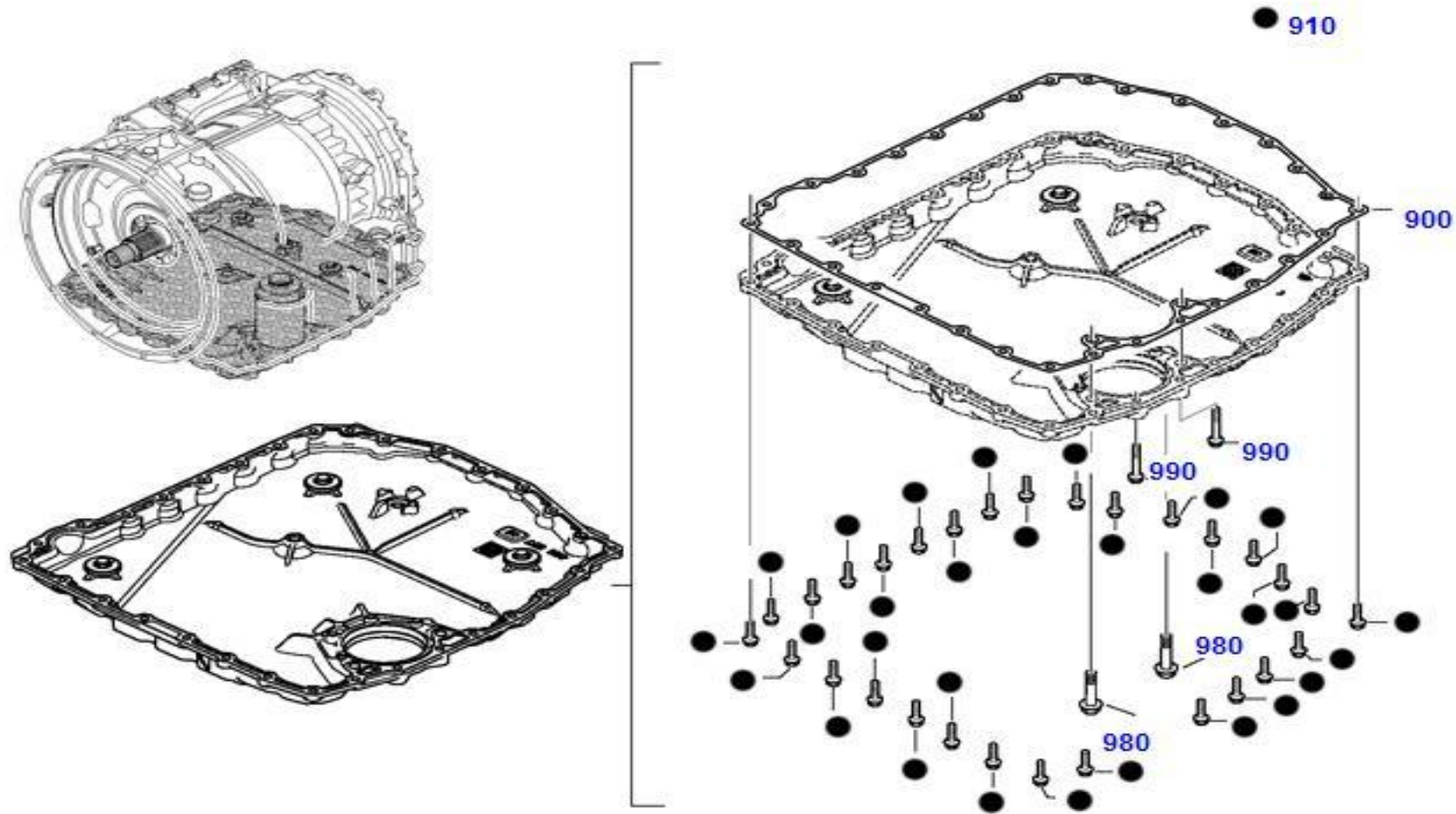
Picture No: ISZFA1064

POZ	Part No	N.S.N	Code	Part Name (Türkçe)	Part Name (English)	Quantity
910	0736.300.197			Auto Transmission SECHSRUNDSCHR.	CAP SCREW	
<b>Auto Transmission</b>						
				<b>Transmission-Shift</b>	<b>0301</b>	

**0301**

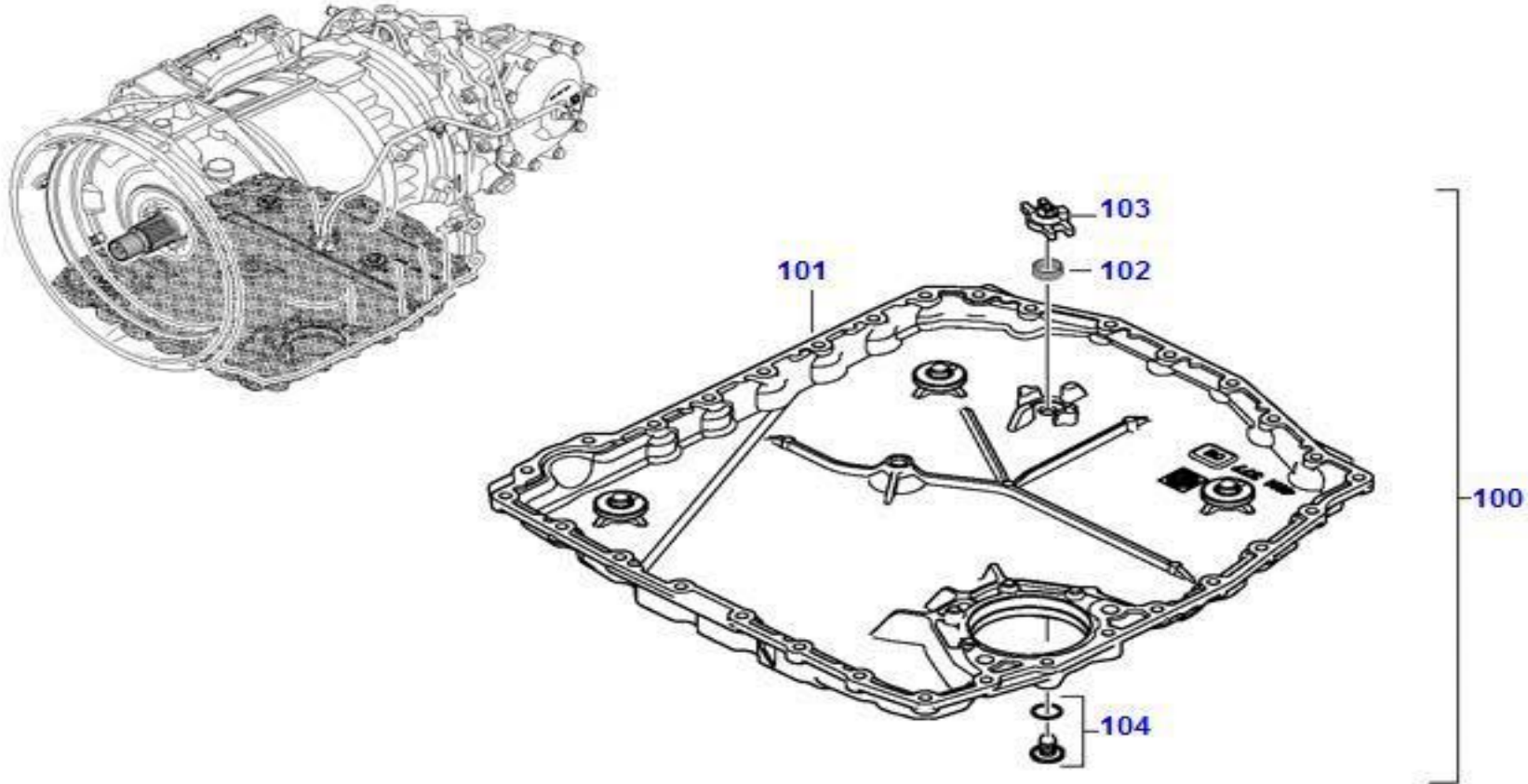
**Transmission-Shift**

**Auto Transmission**



Picture No: ISZFA1065

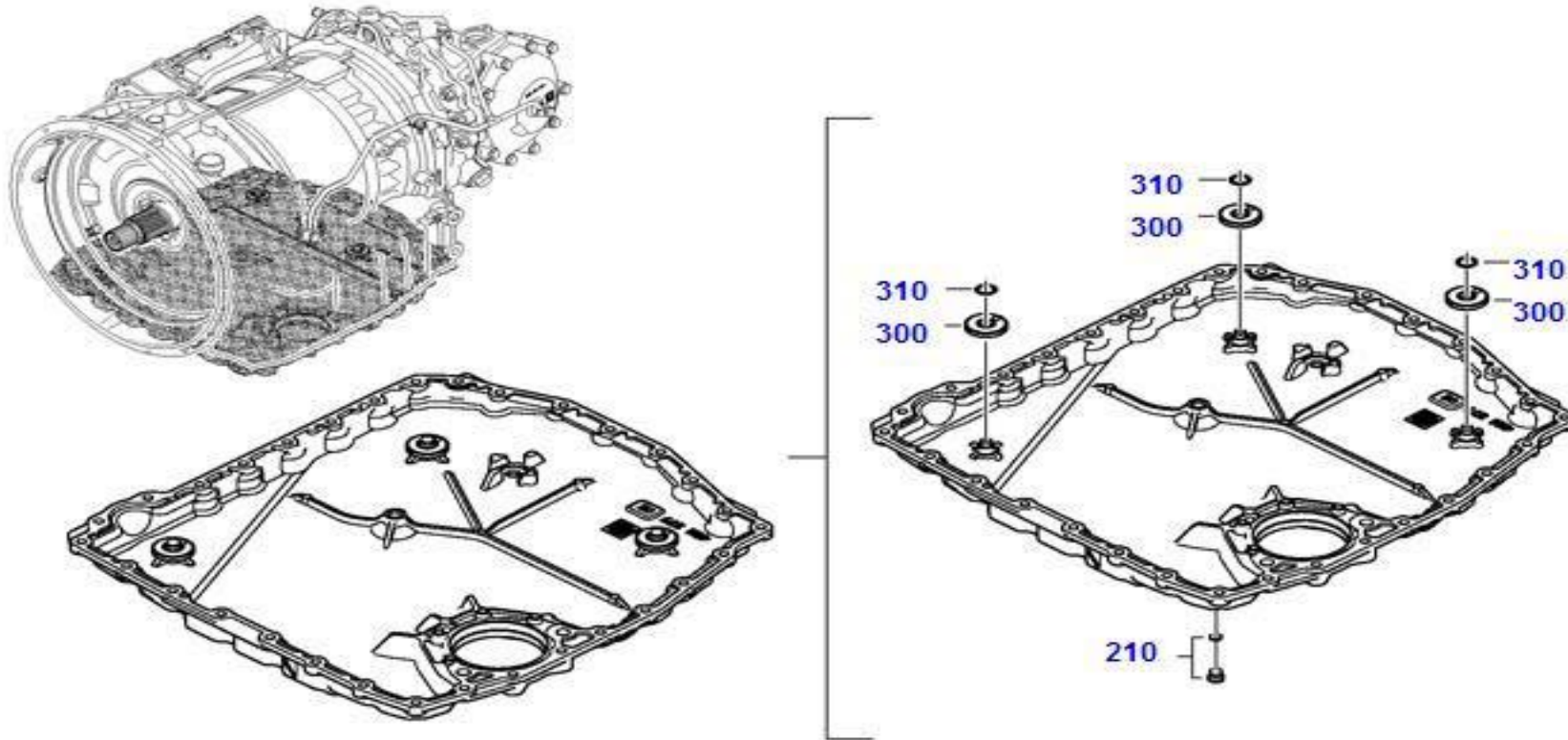
POZ	Part No	N.S.N	Code	Part Name (Türkçe)	Part Name (English)	Quantity
				<i>Auto Transmission</i>		
900	0501.324.766			DICHTUNG	BRAKE CYLINDER	
910	0636.100.442			6KT.SCHRAUBE	CAP SCREW	
980	0636.100.833			KOMBISCHRAUBE	CAP SCREW	
990	0636.100.439			6KT.SCHRAUBE	CAP SCREW	
<b>Auto Transmission</b>				<b>Transmission-Shift</b>		<b>0301</b>

**0301****Transmission-Shift****Auto Transmission**

Picture No: ISZFA1066

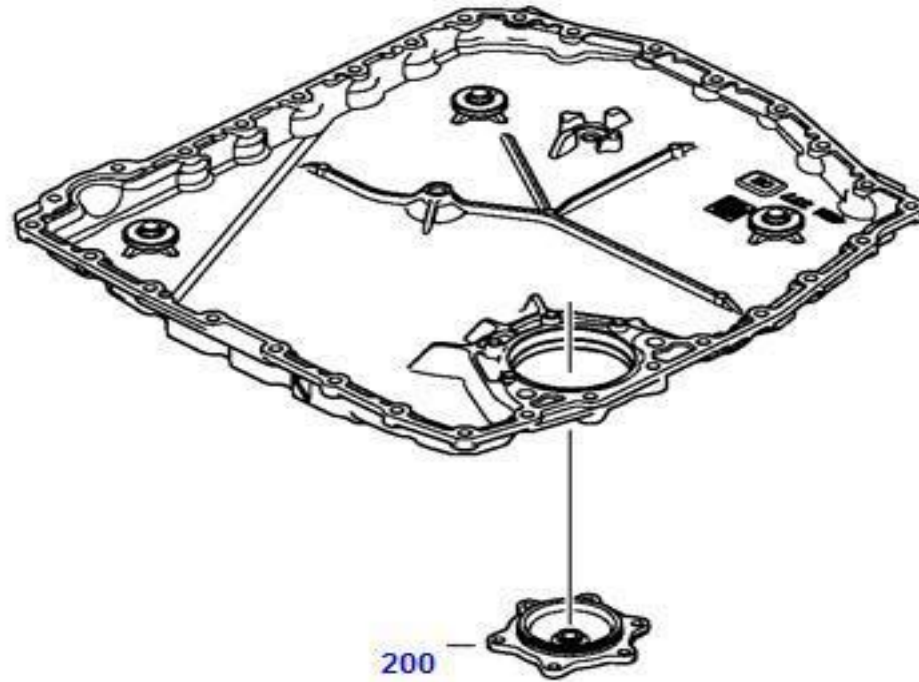
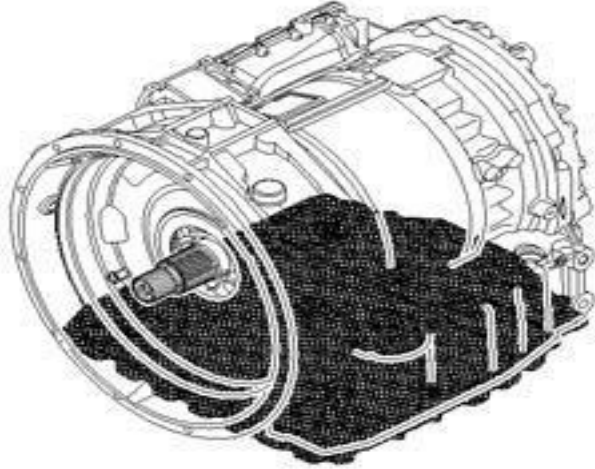
POZ	Part No	N.S.N	Code	Part Name (Türkçe)	Part Name (English)	Quantity
				<i>Auto Transmission</i>		
100	4181.277.050			OELWANNE	OIL PAN	
101	4181.377.004			OELWANNE	CAP	
102	0732.042.981			DRUCKFEDER	COMPRESSION SPRING	
103	4181.377.008			KAPPE	CAP	
104	4181.377.018			VERSCHL.SCHR.	CAP	
104	0501.322.975			O-RING	BALL JOINT	
<b>Auto Transmission</b>				<b>Transmission-Shift</b>		<b>0301</b>



**0301****Transmission-Shift****Auto Transmission**

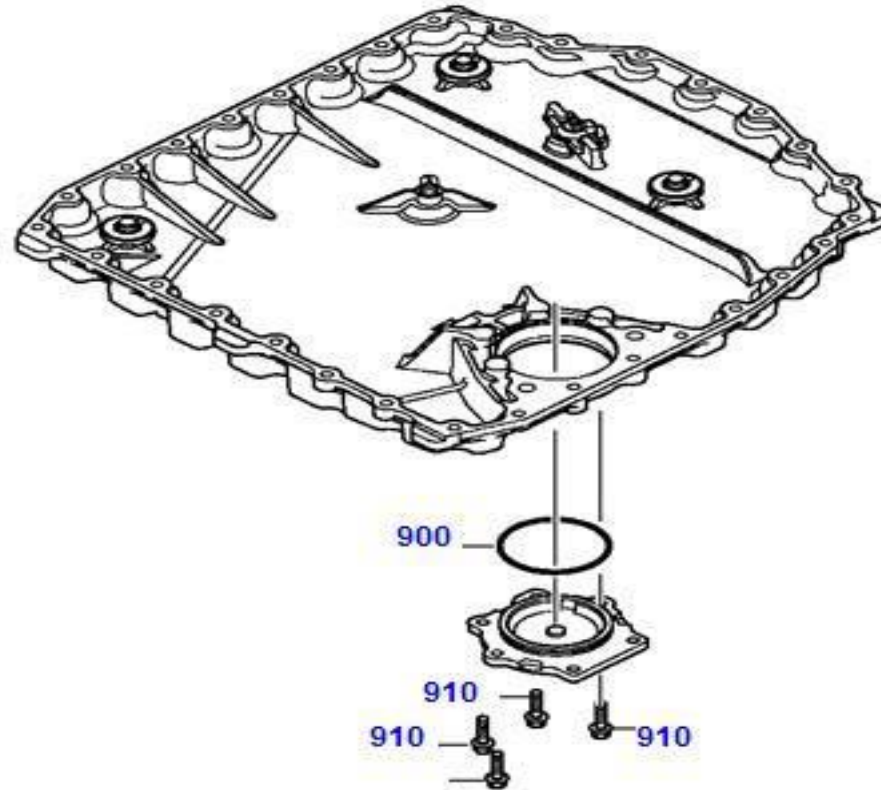
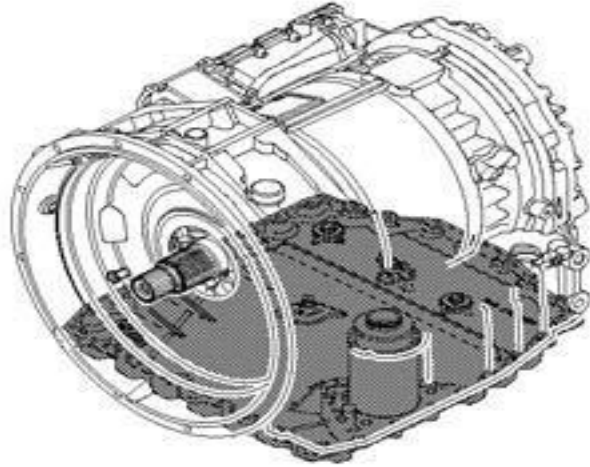
Picture No: ISZFA1067

POZ	Part No	N.S.N	Code	Part Name (Türkçe)	Part Name (English)	Quantity
				<i>Auto Transmission</i>		
210	0636.100.793			VERSCHLUSSSCHRAUBE	CAP SCREW	
210	0501.322.905			O-RING	BALL JOINT	
300	0501.313.800			MAGNET	MAGNET	
310	0630.531.244			GREIFRING	GRIPPING RING	
<b>Auto Transmission</b>				<b>Transmission-Shift</b>		<b>0301</b>

**0301****Transmission-Shift****Auto Transmission**

Picture No: ISZFA1068

POZ	Part No	N.S.N	Code	Part Name (Türkçe)	Part Name (English)	Quantity
200	4181.378.007			<i>Auto Transmission</i> FILTERDECKEL	FILTER COVER	
Auto Transmission				Transmission-Shift		0301

**0301****Transmission-Shift****Auto Transmission**

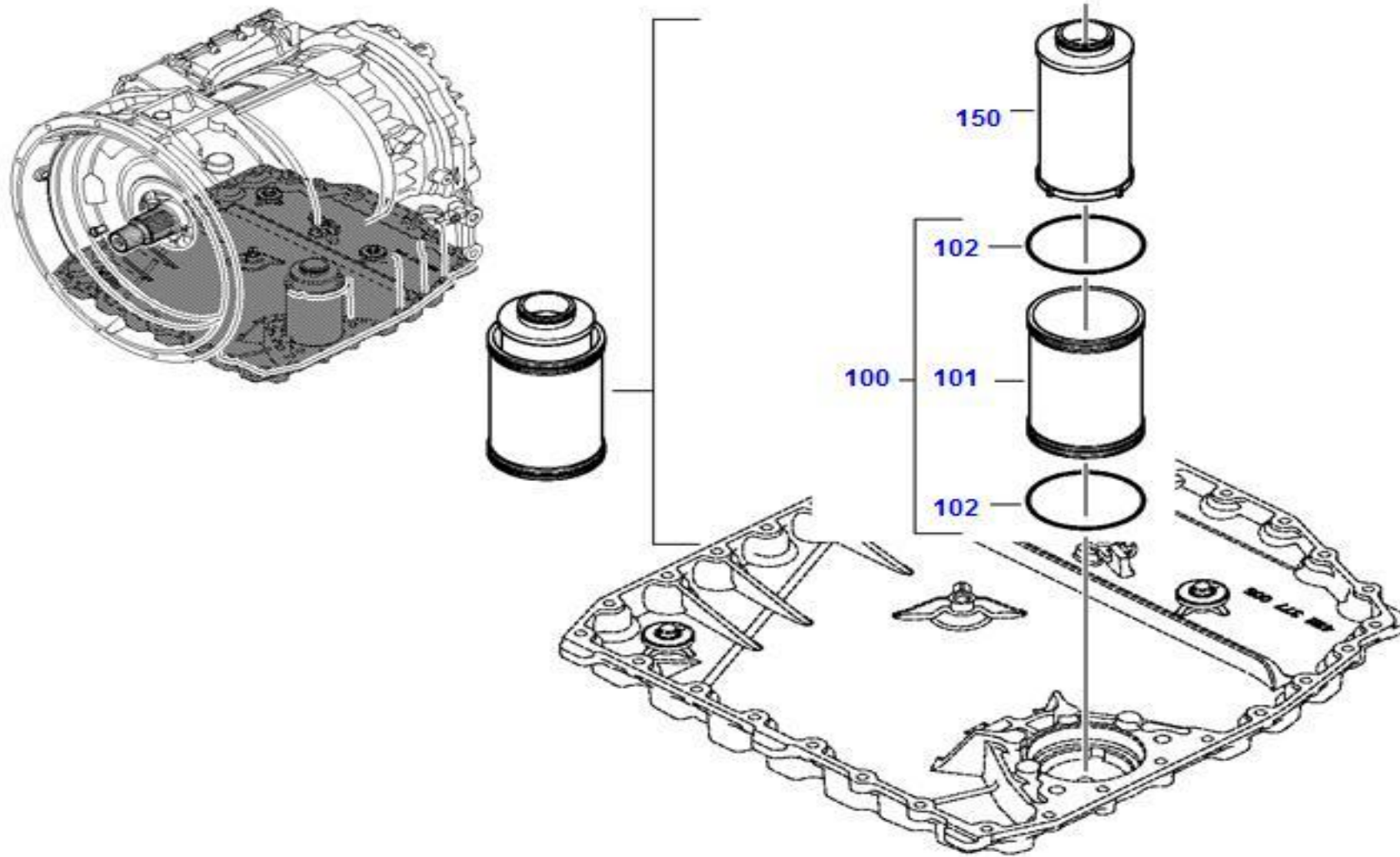
Picture No: ISZFA1069

POZ	Part No	N.S.N	Code	Part Name (Türkçe)	Part Name (English)	Quantity
				<i>Auto Transmission</i>		
900	0501.322.914			O-RING	BALL JOINT	
910	0636.100.442			6KT.SCHRAUBE	CAP SCREW	
Auto Transmission				Transmission-Shift		0301

**0301**

**Transmission-Shift**

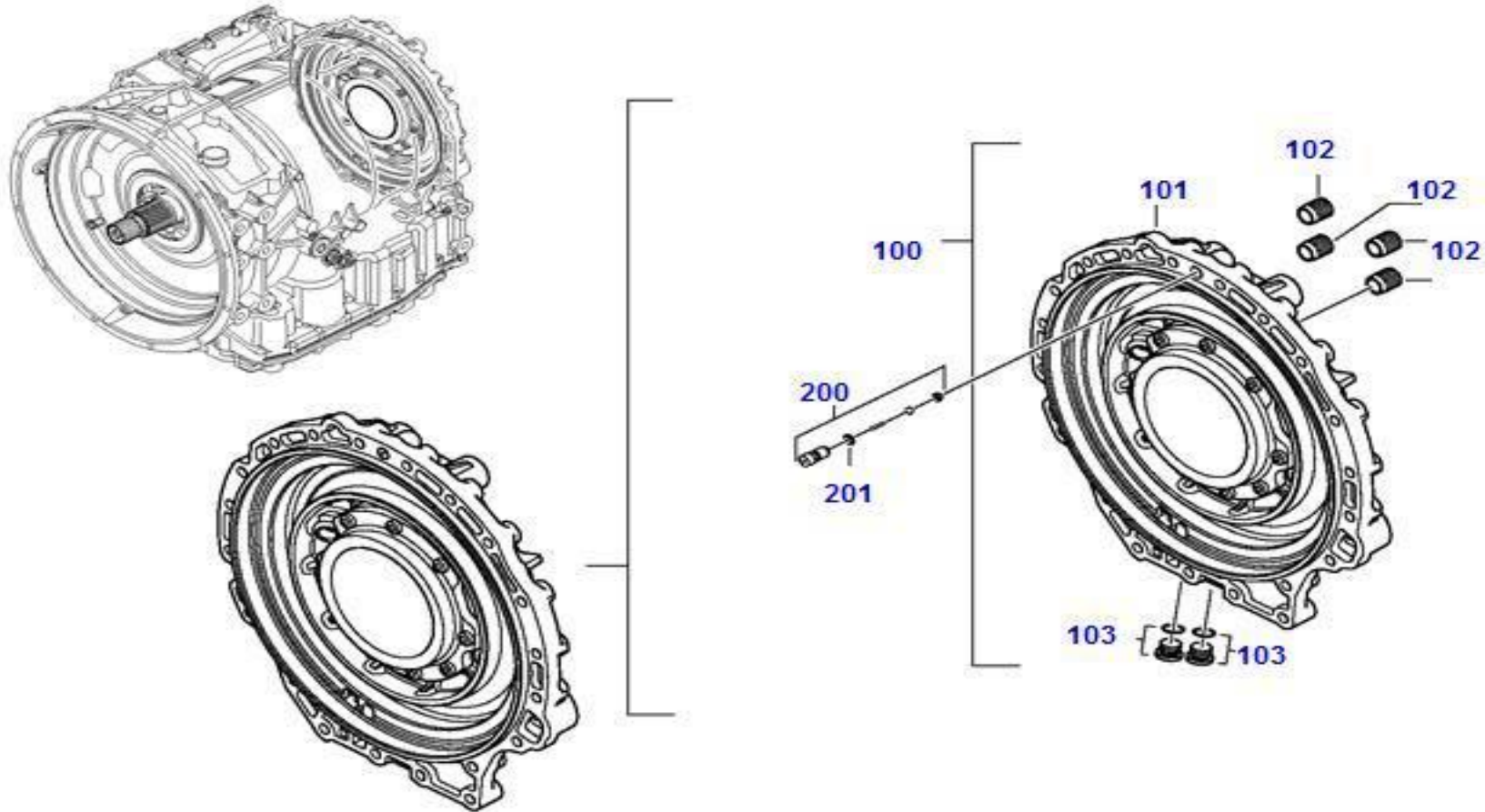
**Auto Transmission**



Picture No: ISZFA1070

POZ	Part No	N.S.N	Code	Part Name (Türkçe)	Part Name (English)	Quantity
				<i>Auto Transmission</i>		
100	4181.279.003			HUELSE	SLEEVE	
101	4181.379.004			HUELSE	SLEEVE	
102	0501.322.914			O-RING	BALL JOINT	
150	0501.325.886			PRESSURE FILTER	PRESSURE FILTER	
<b>Auto Transmission</b>				<b>Transmission-Shift</b>		<b>0301</b>



**0301****Transmission-Shift****Auto Transmission**

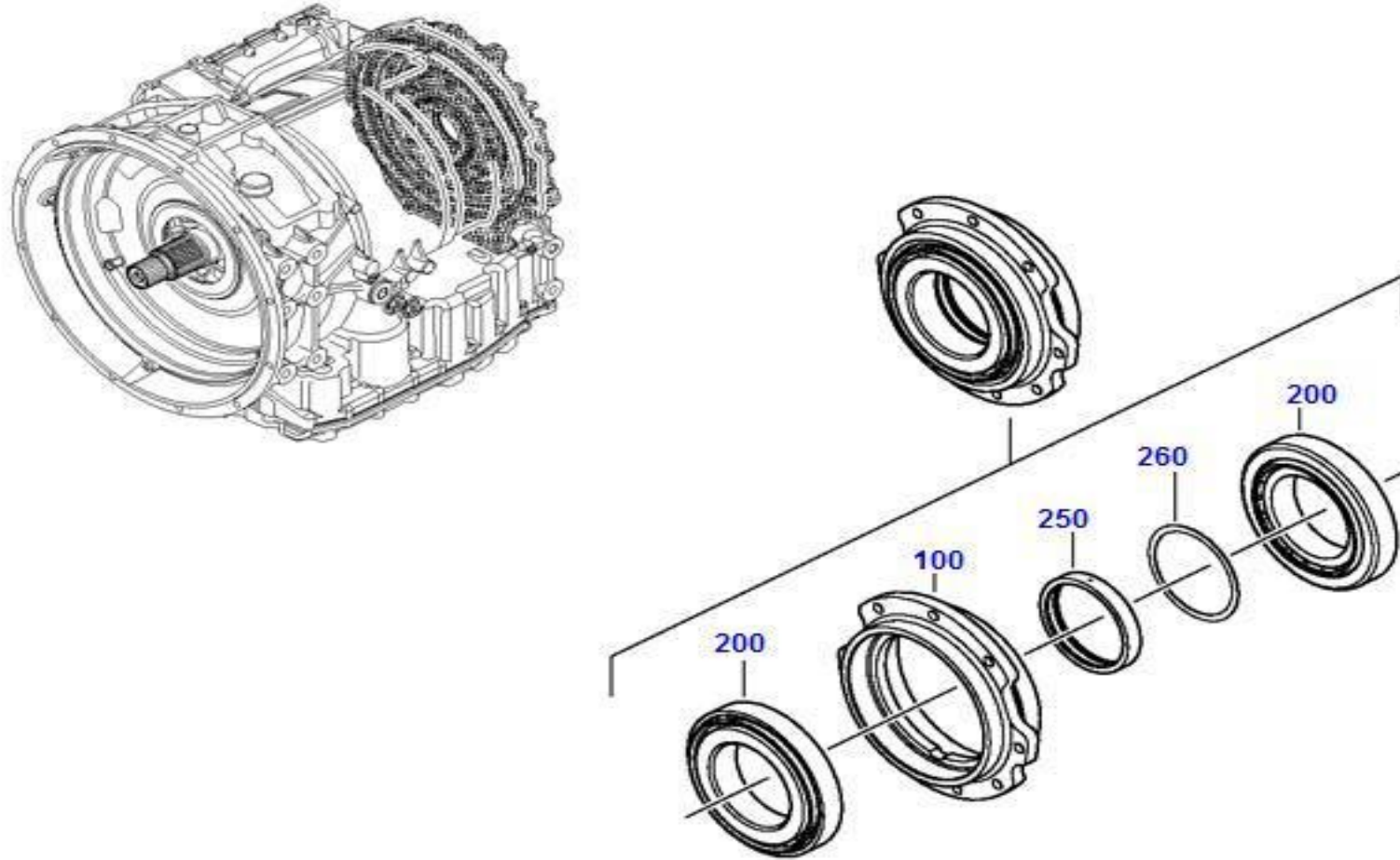
Picture No: ISZFA1071

POZ	Part No	N.S.N	Code	Part Name (Türkçe)	Part Name (English)	Quantity
				<i>Auto Transmission</i>		
100	4181.212.012			ABTRIEBSDECKEL	OUTPUTCOVER	
101	4181.312.015			ABTRIEBSDECKEL	OUTPUTCOVER	
102	0731.590.166			GEWINDEBUCHSE	THREADED BUSH	
103	0636.100.791			VERSCHLUSSSCHRAUBE	CAP SCREW	
103	0501.322.915			O-RING	BALL JOINT	
200	4181.212.006			VENTIL	OUTPUTCOVER	
201	0501.322.983			O-RING	O-RING	
<b>Auto Transmission</b>				<b>Transmission-Shift</b>		<b>0301</b>

**0301**

**Transmission-Shift**

**Auto Transmission**



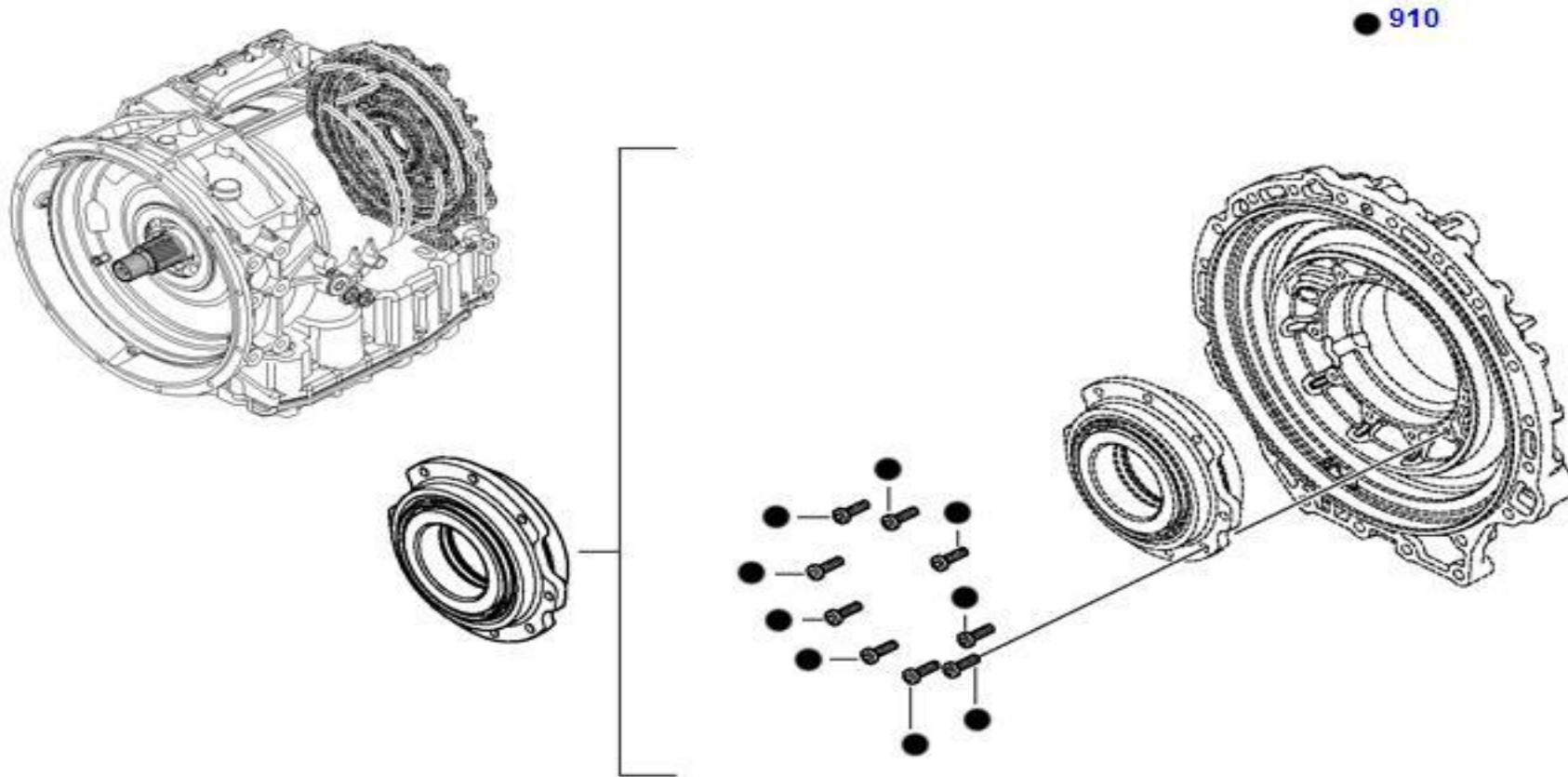
Picture No: ISZFA1072

POZ	Part No	N.S.N	Code	Part Name (Türkçe)	Part Name (English)	Quantity
				<i>Auto Transmission</i>		
100	4181.313.008			LAGERBUCHSE	BEARING BUSH	
200	0735.371.642			KEG.ROLLENLAGER	TA.ROLLER BEARING	
250	4181.313.006			DISTANZBUCHSE	BEARING BUSH	
260	0730.113.436			GUIDE RING	AXIAL WASHER	
260	0730.113.435			GUIDE RING	AXIAL WASHER	
260	0730.113.434			GUIDE RING	AXIAL WASHER	
260	0730.113.433			GUIDE RING	AXIAL WASHER	
260	0730.113.432			GUIDE RING	AXIAL WASHER	
260	0730.113.431			GUIDE RING	AXIAL WASHER	
260	0730.113.430			GUIDE RING	AXIAL WASHER	
260	0730.113.429			GUIDE RING	AXIAL WASHER	
260	0730.113.428			GUIDE RING	AXIAL WASHER	
260	0730.113.427			GUIDE RING	AXIAL WASHER	
260	0730.113.426			GUIDE RING	AXIAL WASHER	
260	0730.113.425			GUIDE RING	AXIAL WASHER	
260	0730.113.424			GUIDE RING	AXIAL WASHER	
260	0730.113.423			GUIDE RING	AXIAL WASHER	
260	0730.113.422			GUIDE RING	AXIAL WASHER	
260	0730.113.421			GUIDE RING	AXIAL WASHER	
260	0730.113.420			GUIDE RING	AXIAL WASHER	
260	0730.113.419			GUIDE RING	AXIAL WASHER	
260	0730.113.418			GUIDE RING	AXIAL WASHER	
<b>Auto Transmission</b>				<b>Transmission-Shift</b>		<b>0301</b>

**0301**

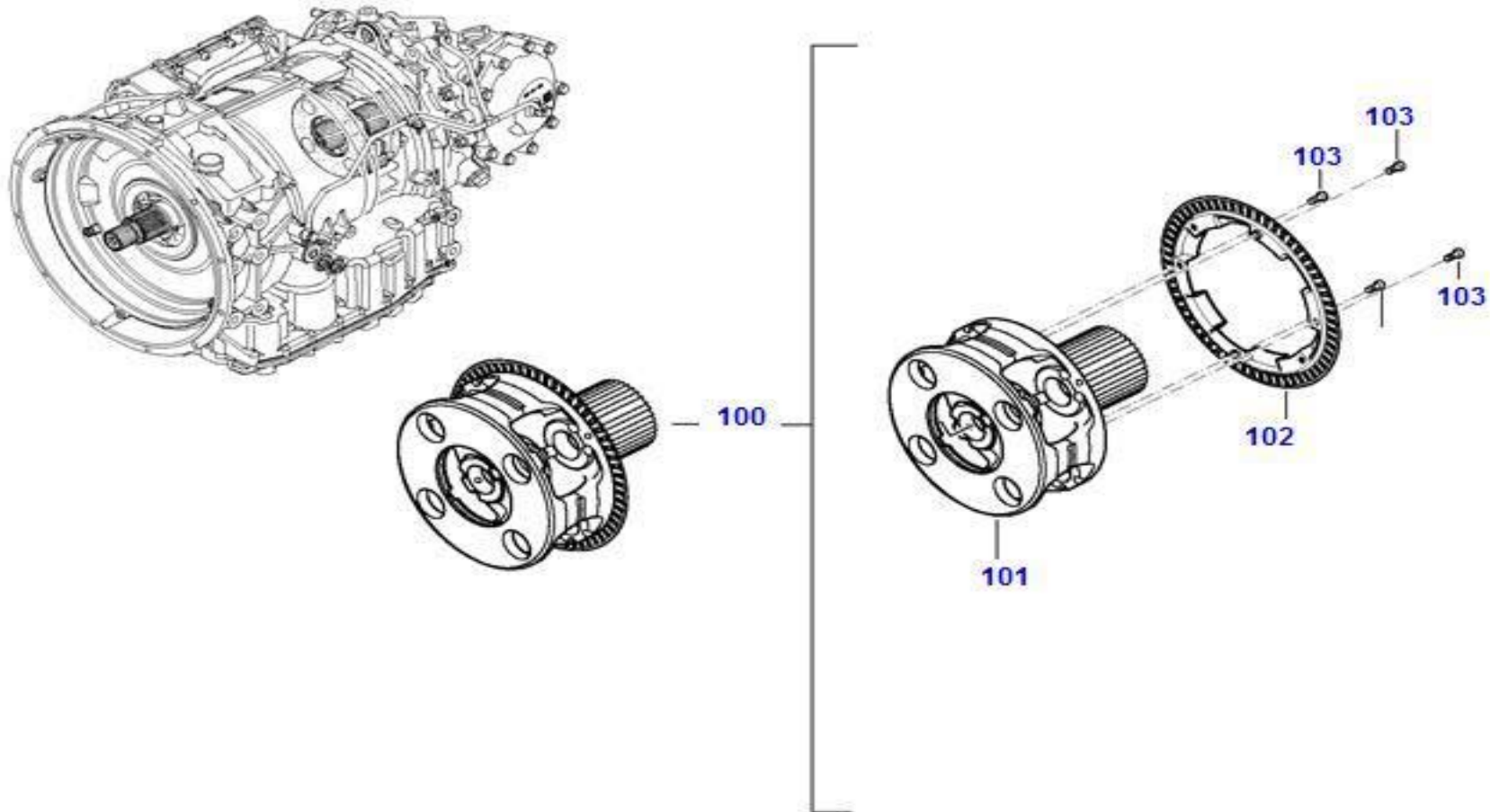
**Transmission-Shift**

**Auto Transmission**



Picture No: ISZFA1073

POZ	Part No	N.S.N	Code	Part Name (Türkçe)	Part Name (English)	Quantity
910	0736.300.212			<i>Auto Transmission</i> SECHSRUNDSCHR.	CAP SCREW	
Auto Transmission				Transmission-Shift		0301

**0301****Transmission-Shift****Auto Transmission**

Picture No: ISZFA1074

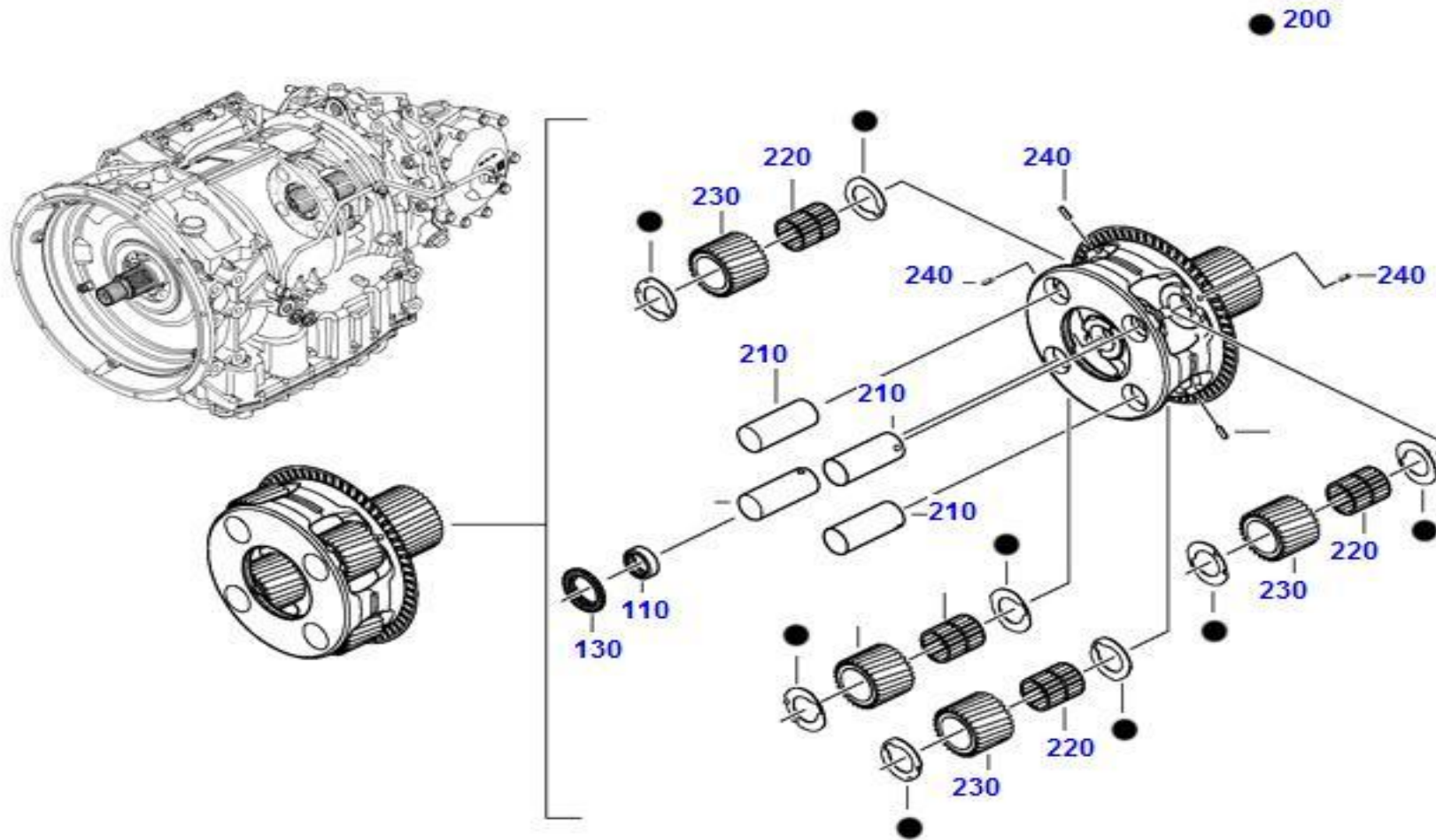
POZ	Part No	N.S.N	Code	Part Name (Türkçe)	Part Name (English)	Quantity
				<i>Auto Transmission</i>		
100	4181.217.014			PLANETENTRAEGER	PLANET CARRIER	
101	4181.291.017			PLANETENTRAEGER	PLANET CARRIER	
102	4181.317.033			IMPULSRING	BEARING PIN	
103	0736.300.194			SECHSRUNDSCHR.	CAP SCREW	
Auto Transmission				Transmission-Shift		0301



**0301**

**Transmission-Shift**

**Auto Transmission**



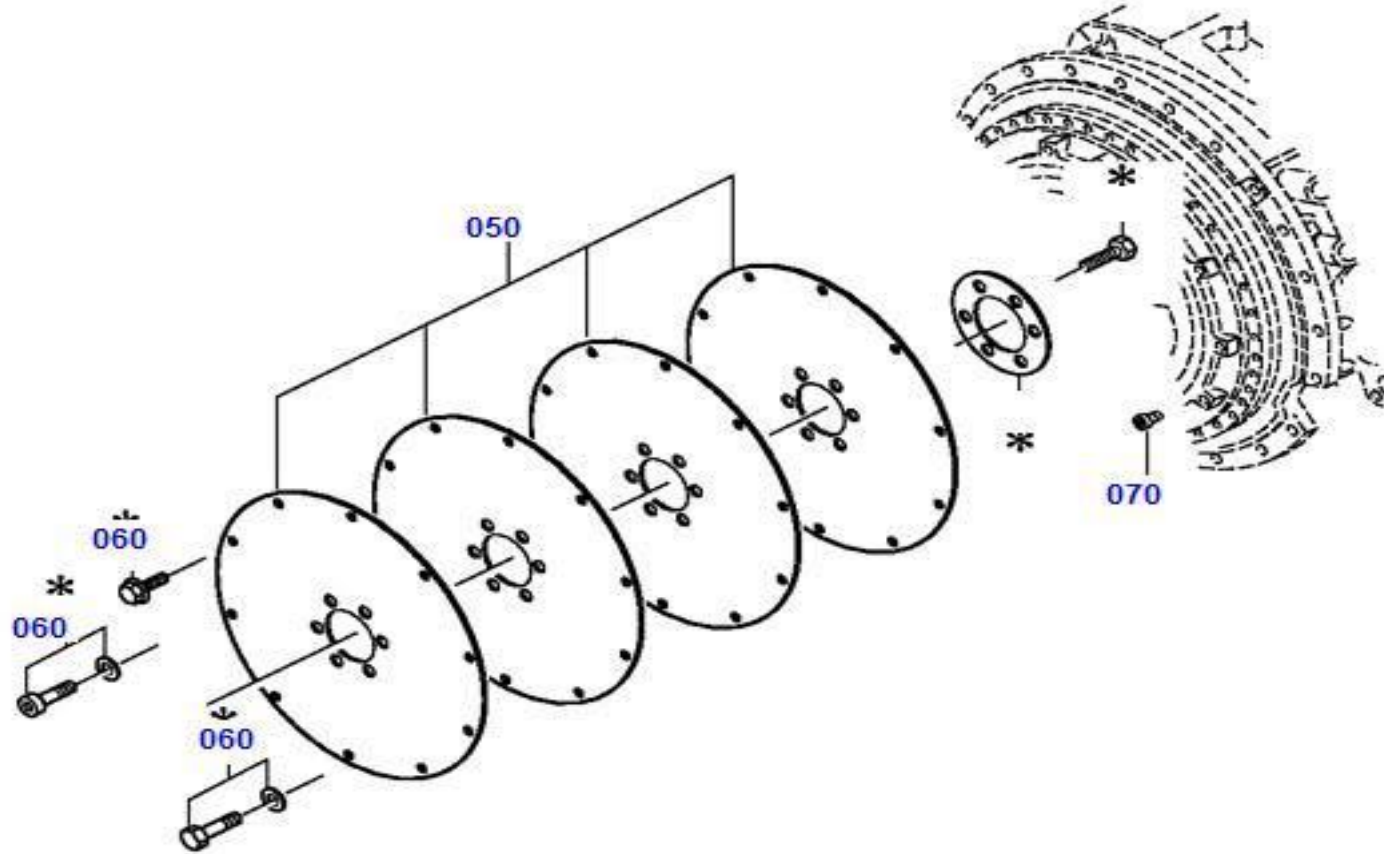
Picture No: ISZFA1075

POZ	Part No	N.S.N	Code	Part Name (Türkçe)	Part Name (English)	Quantity
				<i>Auto Transmission</i>		
110	0735.298.302			NADELHUELSE	NEEDLE SLEEVE	
130	0735.368.277			AXIALNADELLAGER	AXIAL NEEDLE BEARING	
200	4181.317.018			ANLAUFSCHEIBE	BEARING PIN	
210	4181.317.020			LAGERBOLZEN	BEARING PIN	
220	0735.321.609			NADELKRANZ	NEEDLE CAGE	
230	4181.317.041			PLANETENRAD	BEARING PIN	
240	0501.322.722			SPANNSTIFT	BALL JOINT	
				<b>Auto Transmission</b>	<b>Transmission-Shift</b>	<b>0301</b>

**0301**

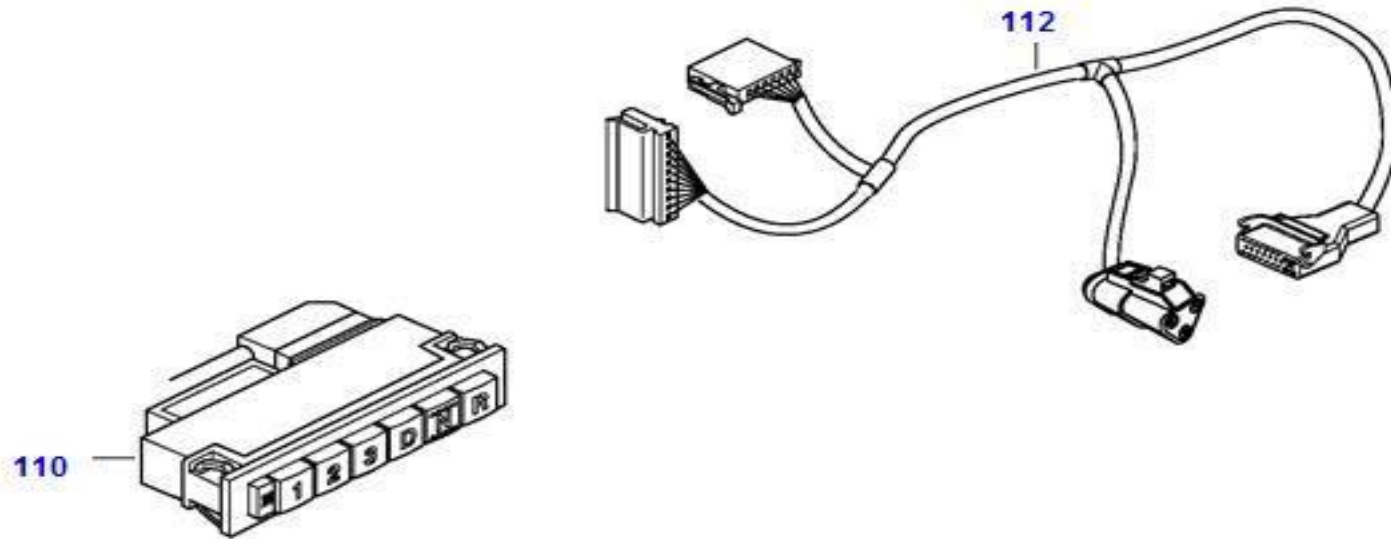
**Transmission-Shift**

**Auto Transmission**



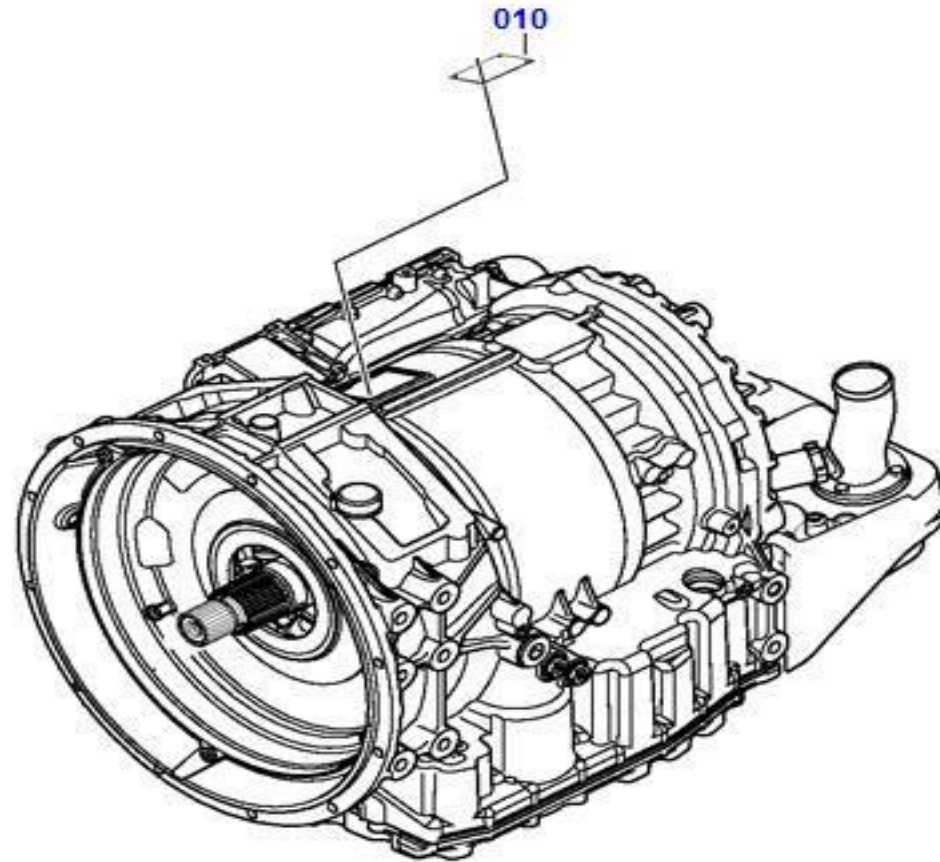
Picture No: ISZFA1076

POZ	Part No	N.S.N	Code	Part Name (Türkçe)	Part Name (English)	Quantity
				<i>Auto Transmission</i>		
050	4139.330.409			DIAPHRAGM	DIAPHRAGM	
060	0636.021.009			6KT.SCHRAUBE	HEXAGON SCREW	
060	0630.100.284			SCHEIBE	WASHER	
070	0636.102.267			CAP SCREW	CAP SCREW	
<b>Auto Transmission</b>				<b>Transmission-Shift</b>		<b>0301</b>

**0301****Transmission-Shift****Auto Transmission**

Picture No: ISZFA1077

POZ	Part No	N.S.N	Code	Part Name (Türkçe)	Part Name (English)	Quantity
				<i>Auto Transmission</i>		
110	6006.341.048			PUSHBUTTON SWITCH	PUSHBUTTON SWITCH	
112	6029.039.262			KABEL ECOLIFE	CABLE ECOLIFE	
Auto Transmission				Transmission-Shift		0301

**0301****Transmission-Shift****Auto Transmission**

Picture No: ISZFA1078

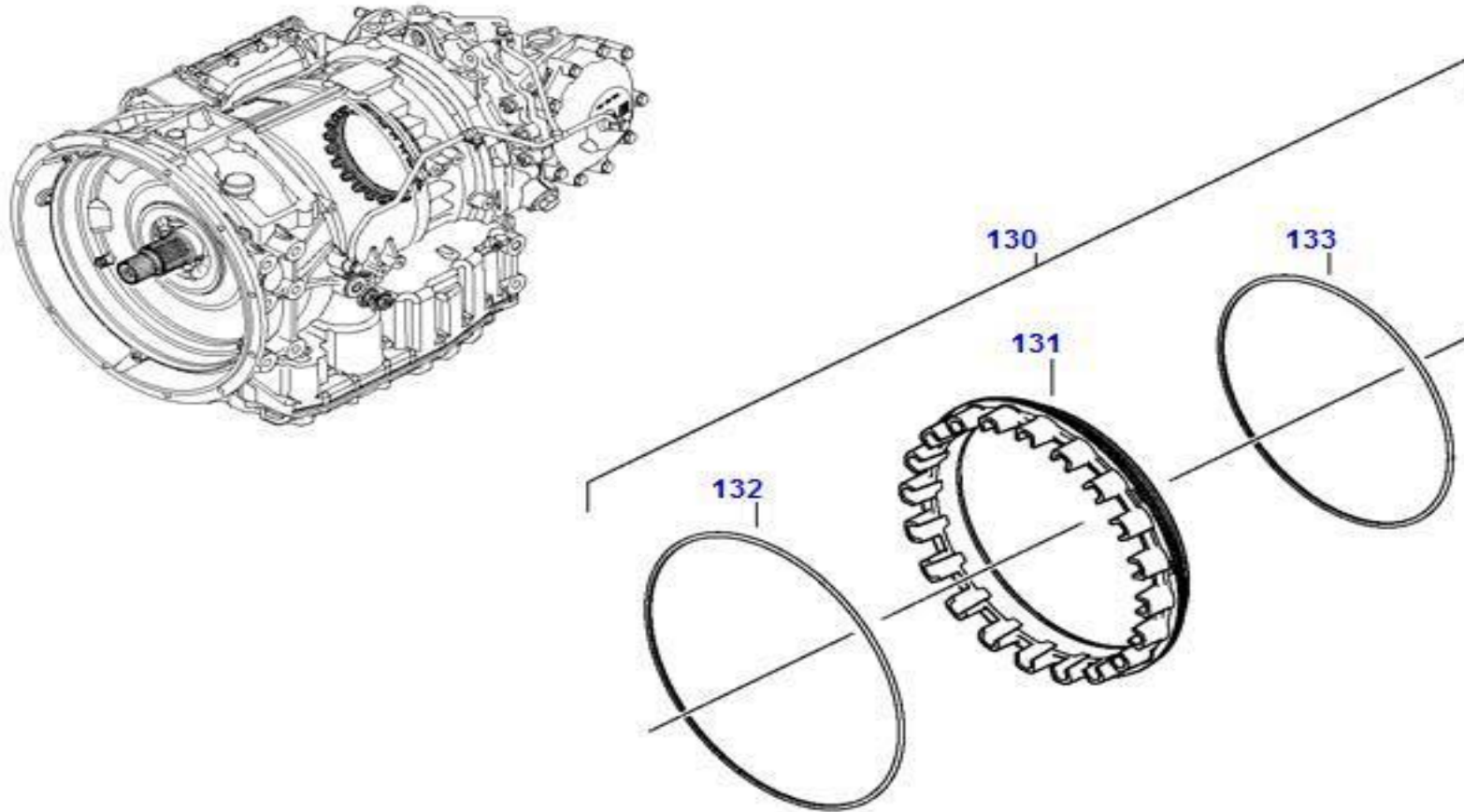
POZ	Part No	N.S.N	Code	Part Name (Türkçe)	Part Name (English)	Quantity
				<i>Auto Transmission</i>		
000	4181.124.007			INPUT SHAFT	INPUT SHAFT	
000	4181.141.053			OIL SUPPLY	OIL SUPPLY	
000	4181.177.050			OIL PAN	OIL PAN	
000	4181.102.057			TRANSMISSION HOUSING	TRANSMISSION HOUSING	
000	4181.178.803			FILTER COVER	FILTER COVER	
000	4181.140.801			OIL SUPPLY	OIL SUPPLY	
000	4181.160.050			COVER PLATE	COVER PLATE	
000	4181.160.801			COVER PLATE	COVER PLATE	
000	4181.174.004			POSITION SENSOR	POSITION SENSOR	
000	4181.170.016			SHIFT CONTROL	SHIFT CONTROL	
000	4181.170.804			SHIFT CONTROL	SHIFT CONTROL	
000	4181.170.850			WIRING HARNESS	WIRING HARNESS	
000	4181.175.003			SUCTION FILTER	SUCTION FILTER	
000	4181.175.801			SUCTION FILTER	SUCTION FILTER	
000	4181.179.003			PRESSURE FILTER	PRESSURE FILTER	
000	4181.176.850			OIL PAN	OIL PAN	
010	0730.365.241			TYPE PLATE	TYPE PLATE	
<b>Auto Transmission</b>				<b>Transmission-Shift</b>		<b>0301</b>



**0301**

**Transmission-Shift**

**Auto Transmission**



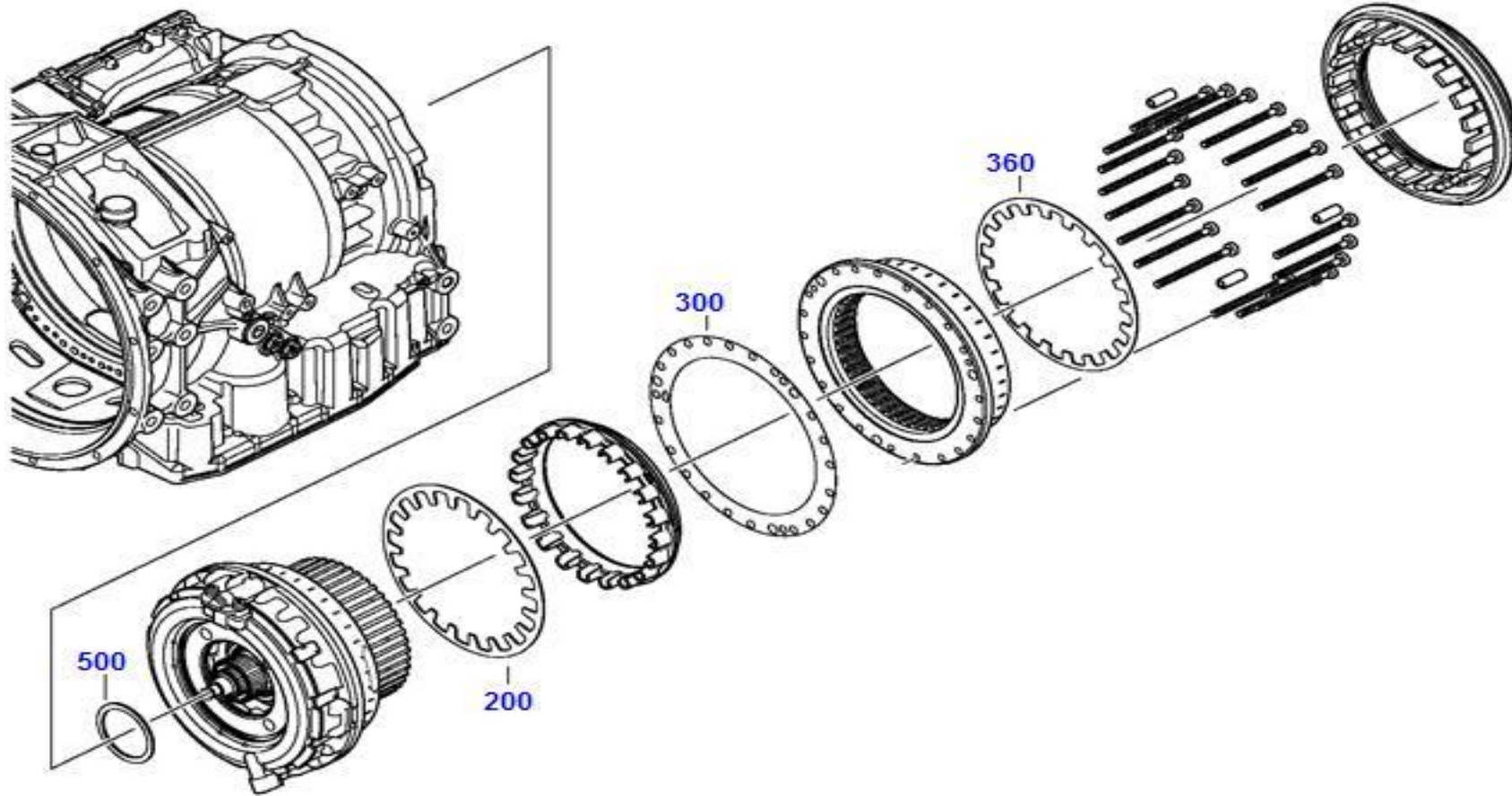
Picture No: ISZFA1079

POZ	Part No	N.S.N	Code	Part Name (Türkçe)	Part Name (English)	Quantity
				<i>Auto Transmission</i>		
130	4181.201.051			KOLBEN	PISTON	
131	4181.301.001			KOLBEN	PISTON	
132	0501.324.126			DICHTRING	BRAKE CYLINDER	
133	0501.324.123			DICHTRING	BRAKE CYLINDER	
				<b>Auto Transmission</b>	<b>Transmission-Shift</b>	<b>0301</b>

**0301**

**Transmission-Shift**

**Auto Transmission**



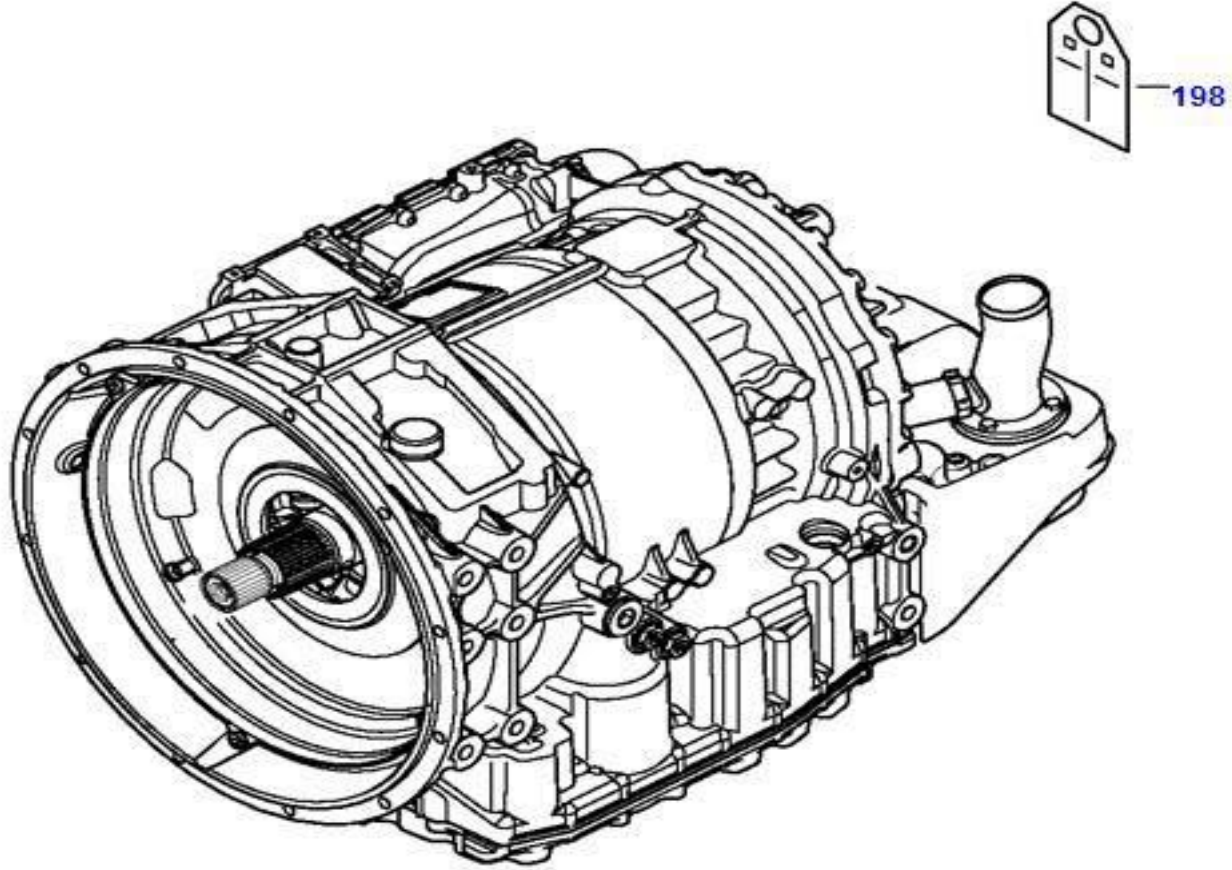
Picture No: ISZFA1080

POZ	Part No	N.S.N	Code	Part Name (Türkçe)	Part Name (English)	Quantity
				<i>Auto Transmission</i>		
000	4181.103.009			BRAKE F	BRAKE F	
000	4181.103.801			BRAKE F	BRAKE F	
200	0501.322.620			TELLERFEDER	BALL JOINT	
200	4181.123.009			PLANETARY DRIVE	PLANETARY DRIVE	
200	4181.126.052			BRAKE	BRAKE	
200	4181.150.052			CLUTCH UNIT A+B	CLUTCH UNIT A+B	
300	0501.214.837			DICHTUNG	GASKET	
300	4181.122.007			PLANETARY DRIVE	PLANETARY DRIVE	
360	0501.321.660			TELLERFEDER	ANGLE DISC	
500	0730.113.271			ADJUSTMENT PLATE	ADJUSTMENT PLATE	
500	0730.113.270			ADJUSTMENT PLATE	ADJUSTMENT PLATE	
500	0730.113.272			ADJUSTMENT PLATE	ADJUSTMENT PLATE	
500	0730.113.072			ADJUSTMENT PLATE	ADJUSTMENT PLATE	
500	0730.113.071			ADJUSTMENT PLATE	ADJUSTMENT PLATE	
500	0730.113.070			ADJUSTMENT PLATE	ADJUSTMENT PLATE	
500	0730.113.069			GUIDE RING	AXIAL WASHER	
500	0730.113.068			GUIDE RING	AXIAL WASHER	
500	0730.113.067			GUIDE RING	AXIAL WASHER	
500	0730.113.066			GUIDE RING	AXIAL WASHER	
500	0730.113.065			GUIDE RING	AXIAL WASHER	
500	0730.300.889			WASHER	THRUST WASHER	
500	0730.113.064			GUIDE RING	AXIAL WASHER	
500	0730.300.888			WASHER	THRUST WASHER	
500	0730.113.063			GUIDE RING	AXIAL WASHER	
500	0730.300.887			WASHER	THRUST WASHER	
500	0730.113.062			GUIDE RING	AXIAL WASHER	
500	0730.113.061			GUIDE RING	AXIAL WASHER	
500	0730.113.060			GUIDE RING	AXIAL WASHER	

Auto Transmission

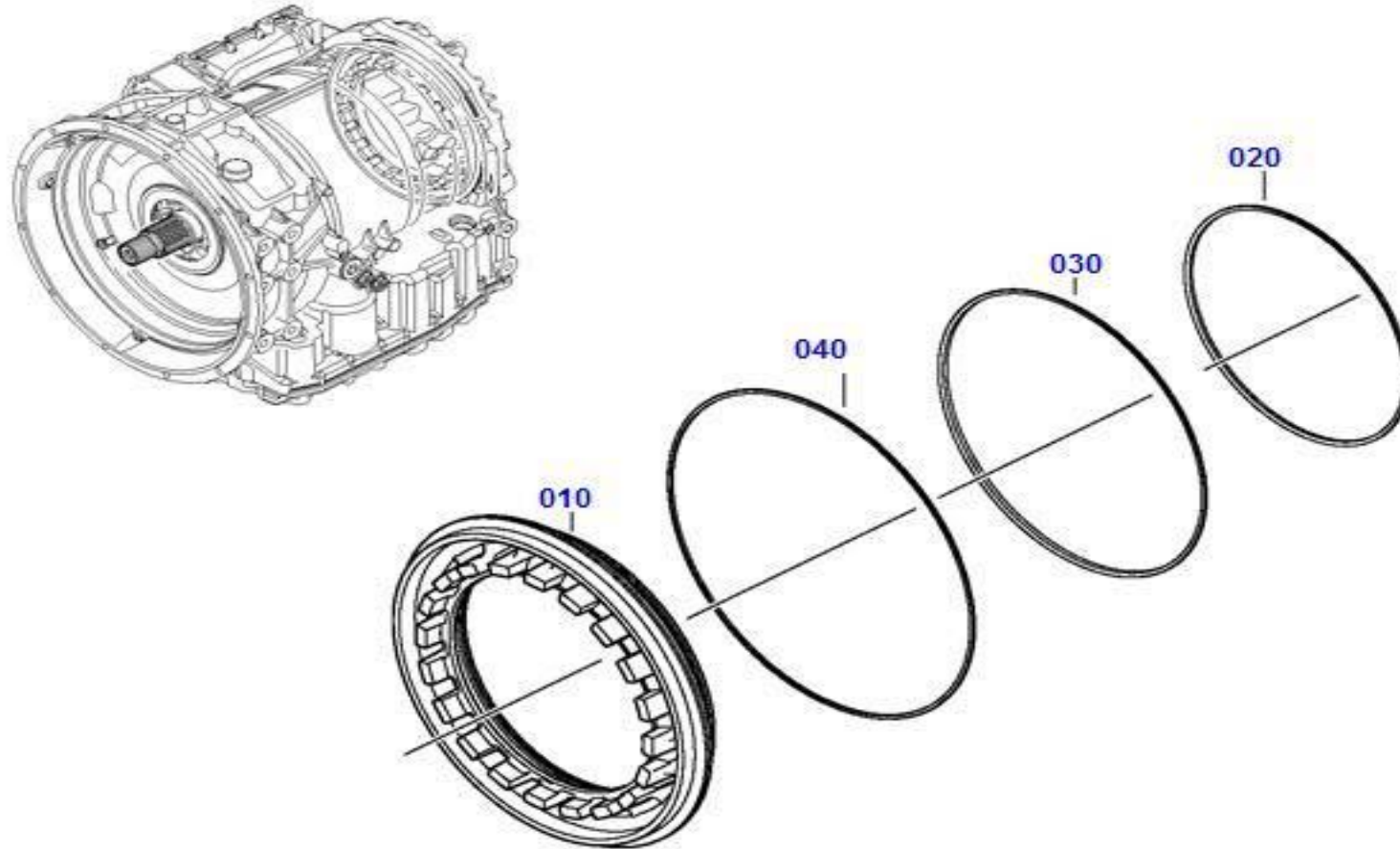
Transmission-Shift

0301

**0301****Transmission-Shift****Auto Transmission**

Picture No: ISZFA1081

POZ	Part No	N.S.N	Code	Part Name (Türkçe)	Part Name (English)	Quantity
198	0501.314.773			<i>Auto Transmission</i> ANHAENGESCHILD	ANHAENGESCHILD	
Auto Transmission				Transmission-Shift		0301

**0301****Transmission-Shift****Auto Transmission**

Picture No: ISZFA1082



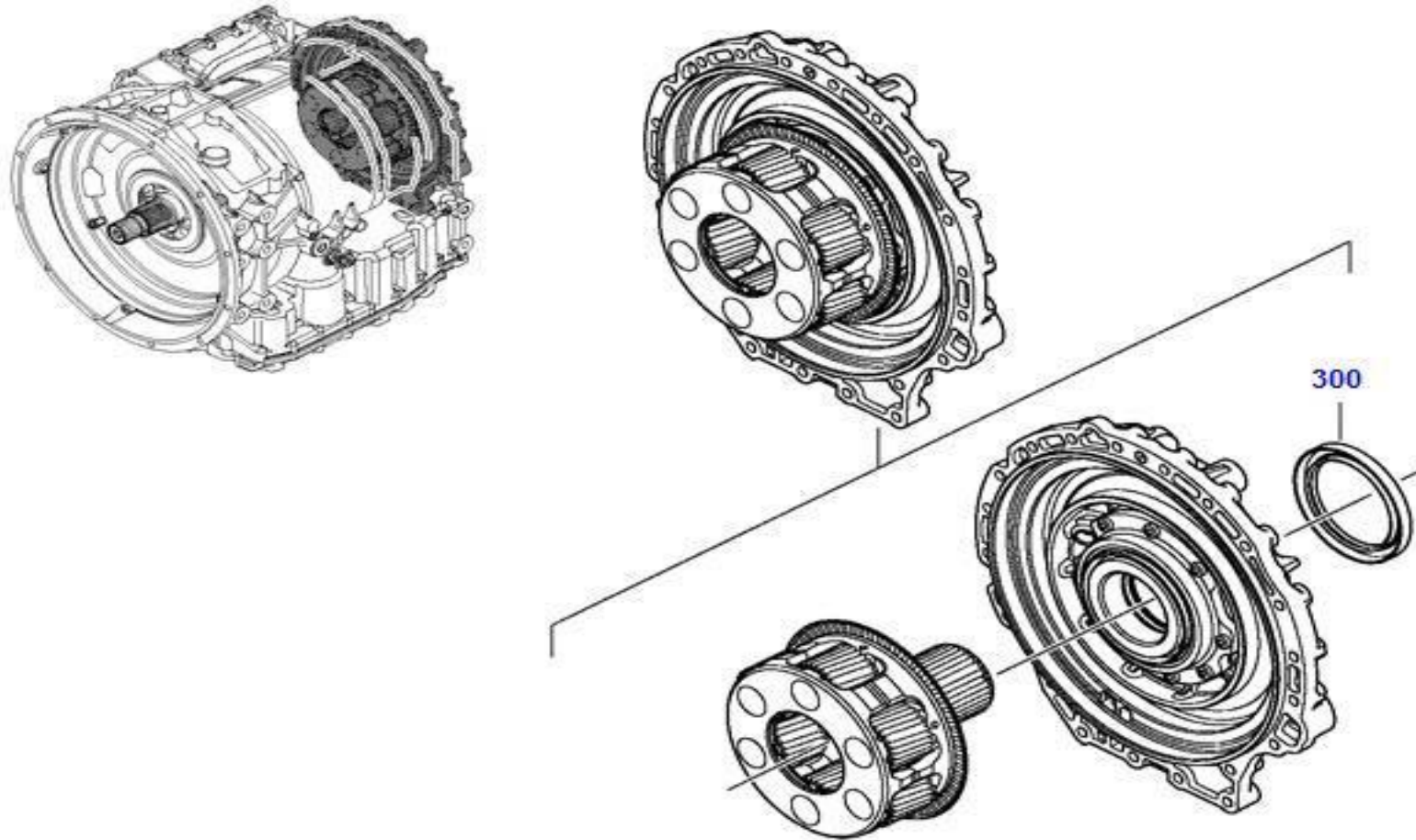
POZ	Part No	N.S.N	Code	Part Name (Türkçe)	Part Name (English)	Quantity
				<i>Auto Transmission</i>		
010	4181.312.022			KOLBEN	OUTPUTCOVER	
020	0501.325.801			DICHTRING	AXIAL WASHER	
030	0501.325.800			DICHTRING	AXIAL WASHER	
040	0501.325.799			DICHTRING	AXIAL WASHER	
				<b>Auto Transmission</b>	<b>Transmission-Shift</b>	<b>0301</b>



**0301**

**Transmission-Shift**

**Auto Transmission**



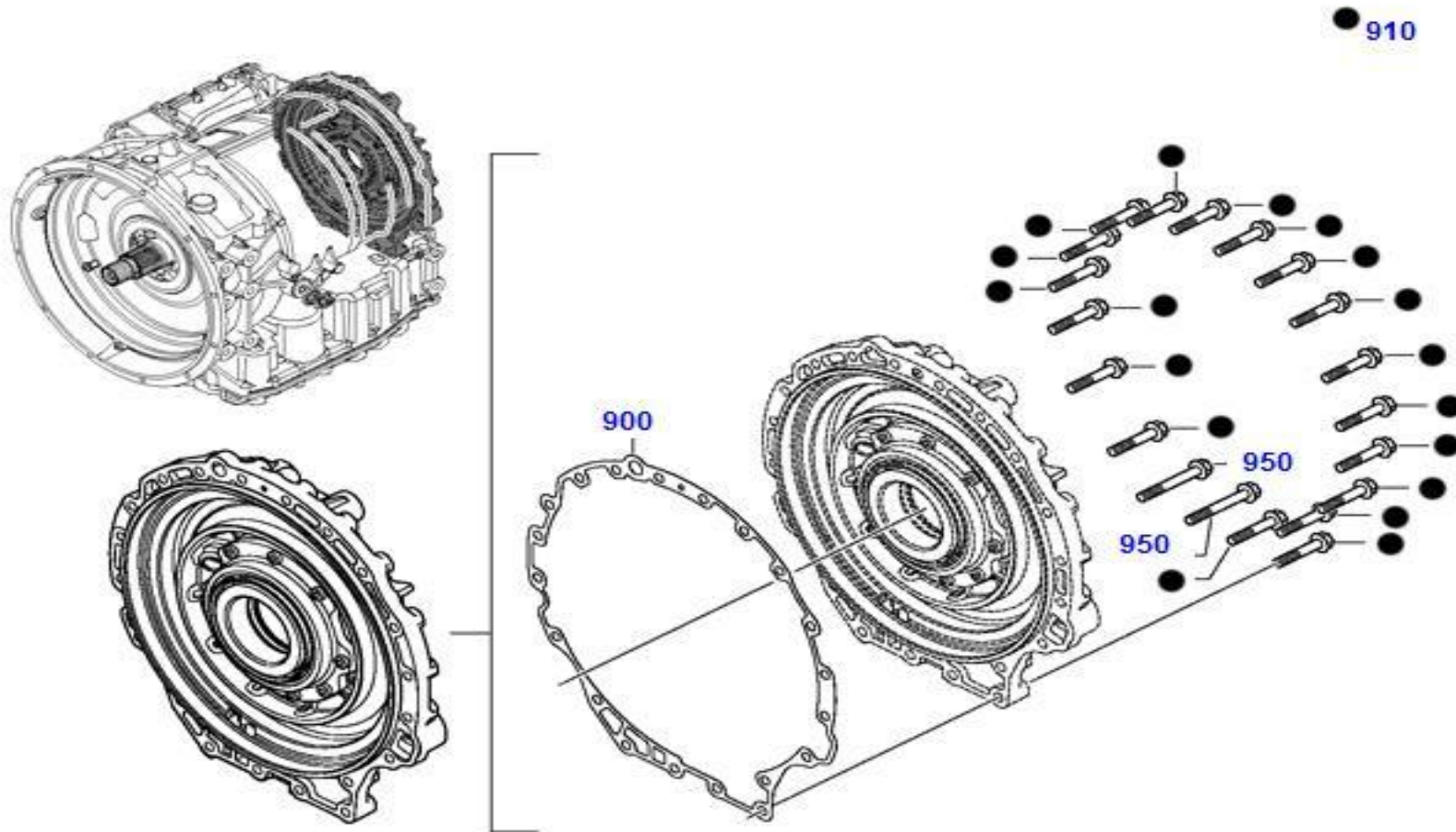
Picture No: ISZFA1083

POZ	Part No	N.S.N	Code	Part Name (Türkçe)	Part Name (English)	Quantity
				<i>Auto Transmission</i>		
000	4181.112.050			OUTPUT COVER	OUTPUT COVER	
000	4181.113.005			BEARING UNIT	BEARING UNIT	
000	4181.117.020			PLANETARY GEAR	PLANETARY GEAR	
000	4181.113.801			BEARING UNIT	BEARING UNIT	
300	0734.319.792			WELLENDICHTRING	CASSETTE RING	
<b>Auto Transmission</b>				<b>Transmission-Shift</b>		<b>0301</b>

**0301**

**Transmission-Shift**

**Auto Transmission**



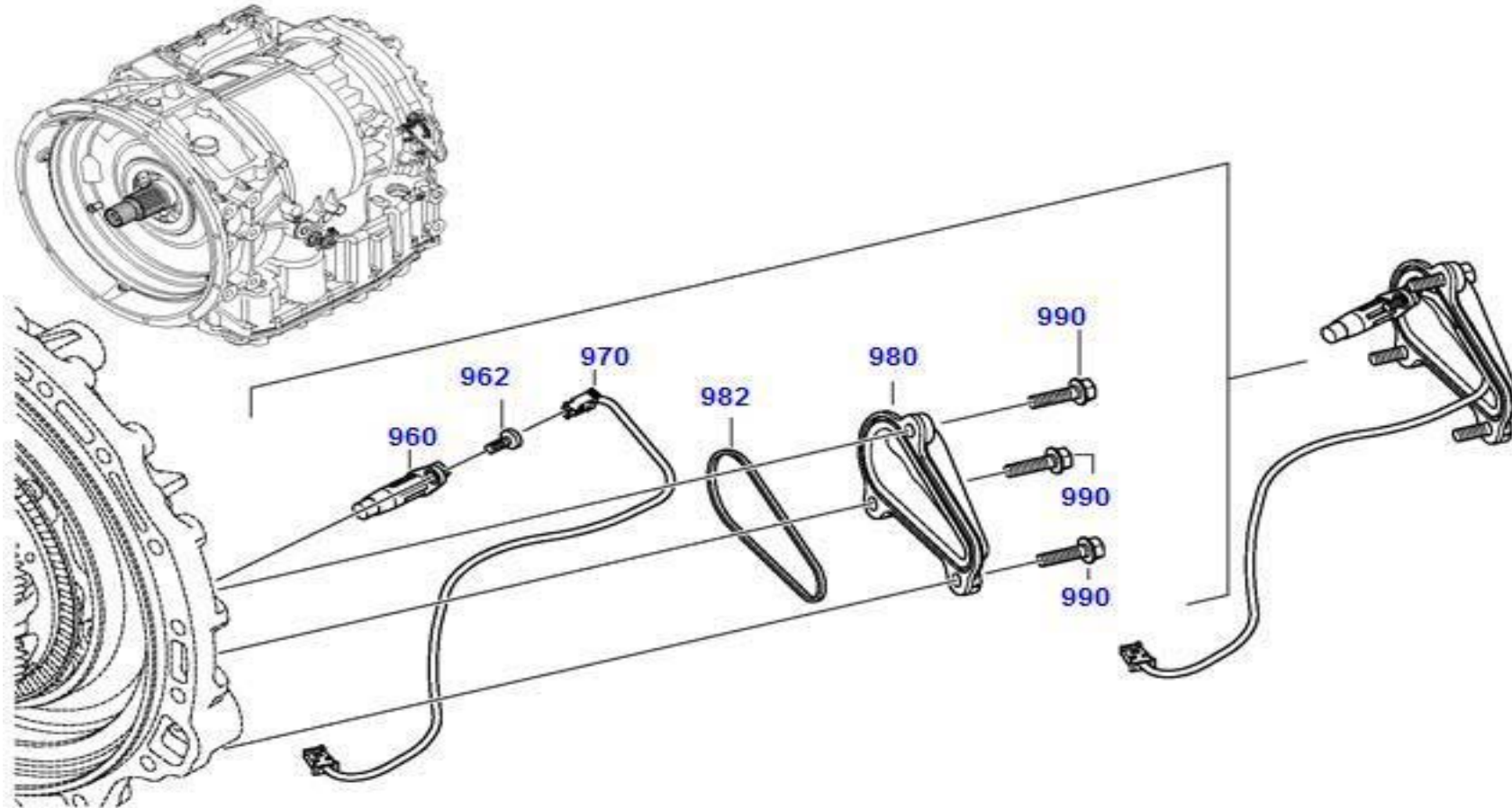
Picture No: ISZFA1084

POZ	Part No	N.S.N	Code	Part Name (Türkçe)	Part Name (English)	Quantity
				<i>Auto Transmission</i>		
900	0501.323.191			DICHTUNG	AIR SPRING BELLOWS	
910	0636.100.827			KOMBISCHRAUBE	CAP SCREW	
950	0636.100.829			KOMBISCHRAUBE	CAP SCREW	
				<b>Auto Transmission</b>	<b>Transmission-Shift</b>	<b>0301</b>

**0301**

**Transmission-Shift**

**Auto Transmission**



Picture No: ISZFA1085