

# **BeneHeart D3&D2**

## **Defibrillator**

### **Parts**

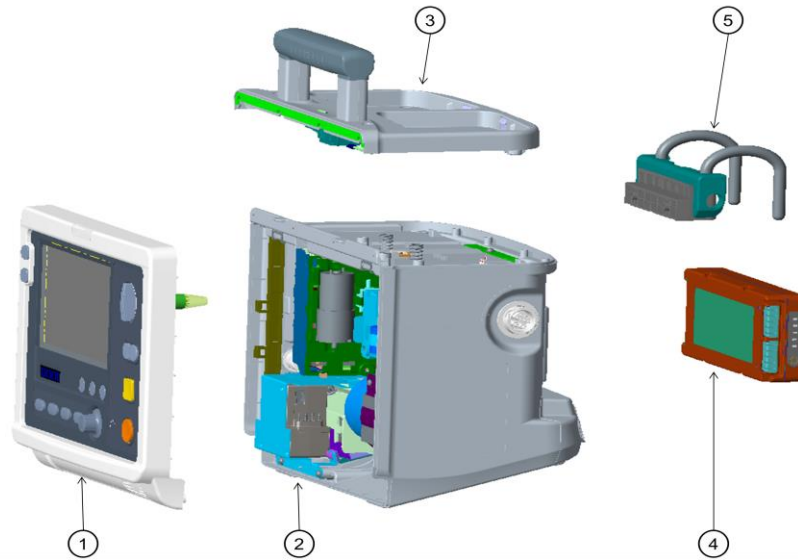
## Contents

<b>1 Parts</b> .....	<b>1-1</b>
1.1 Main Unit .....	1-1
1.1.1 Exploded View .....	1-1
1.1.2 Parts List.....	1-1
1.2 Front Housing Assembly.....	1-2
1.2.1 Exploded View .....	1-2
1.2.2 Parts List.....	1-2
1.3 Rear Housing Assembly .....	1-4
1.3.1 Exploded View .....	1-4
1.3.2 Parts List.....	1-4
1.4 Paddle Tray Assembly .....	1-7
1.4.1 Exploded View .....	1-7
1.4.2 Parts List.....	1-7
1.5 External Paddles Assembly.....	1-8
1.5.1 Exploded View .....	1-8
1.5.2 Parts List.....	1-8
1.6 Others.....	1-9

# 1 Parts

## 1.1 Main Unit

### 1.1.1 Exploded View

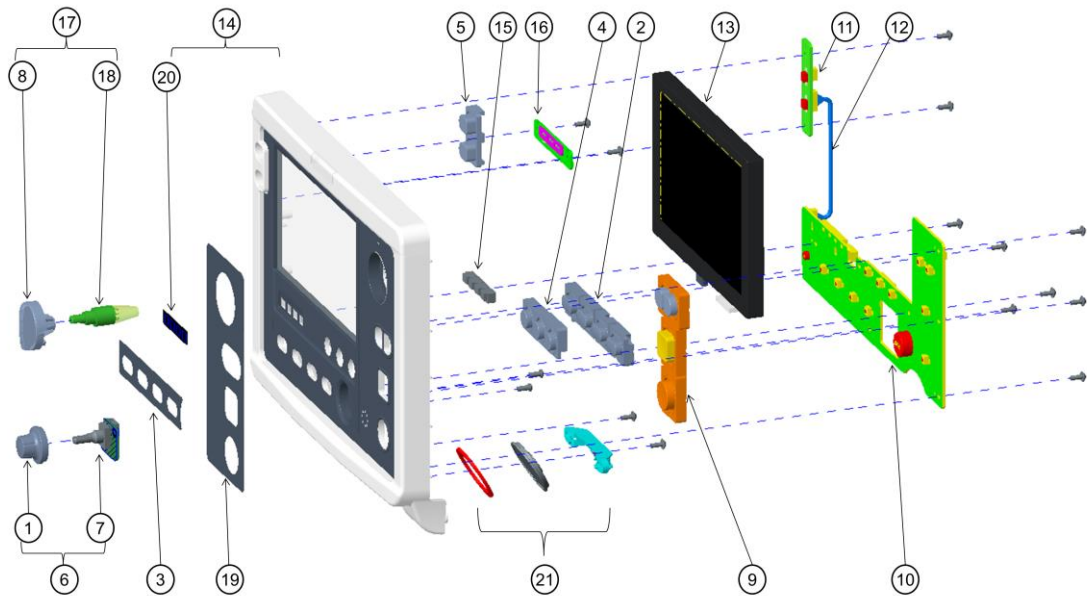


### 1.1.2 Parts List

No.	Order Number	Part Description	Qty	Remark
1	/	Front Housing Assembly	1	/
2	/	Rear Housing Assembly	1	/
3	/	Paddle Tray Assembly	1	/
4	115-007858-00	Li-ion Bat Pack (14.8V3000mAh LI24I001A)	1	SN: EL-/ET-
	115-062369-00	Li-ion Battery (5600mAh LI24I005A)		SN: EZ-/EI-
5	115-007587-00	Pothook kit	1	/

## 1.2 Front Housing Assembly

### 1.2.1 Exploded View



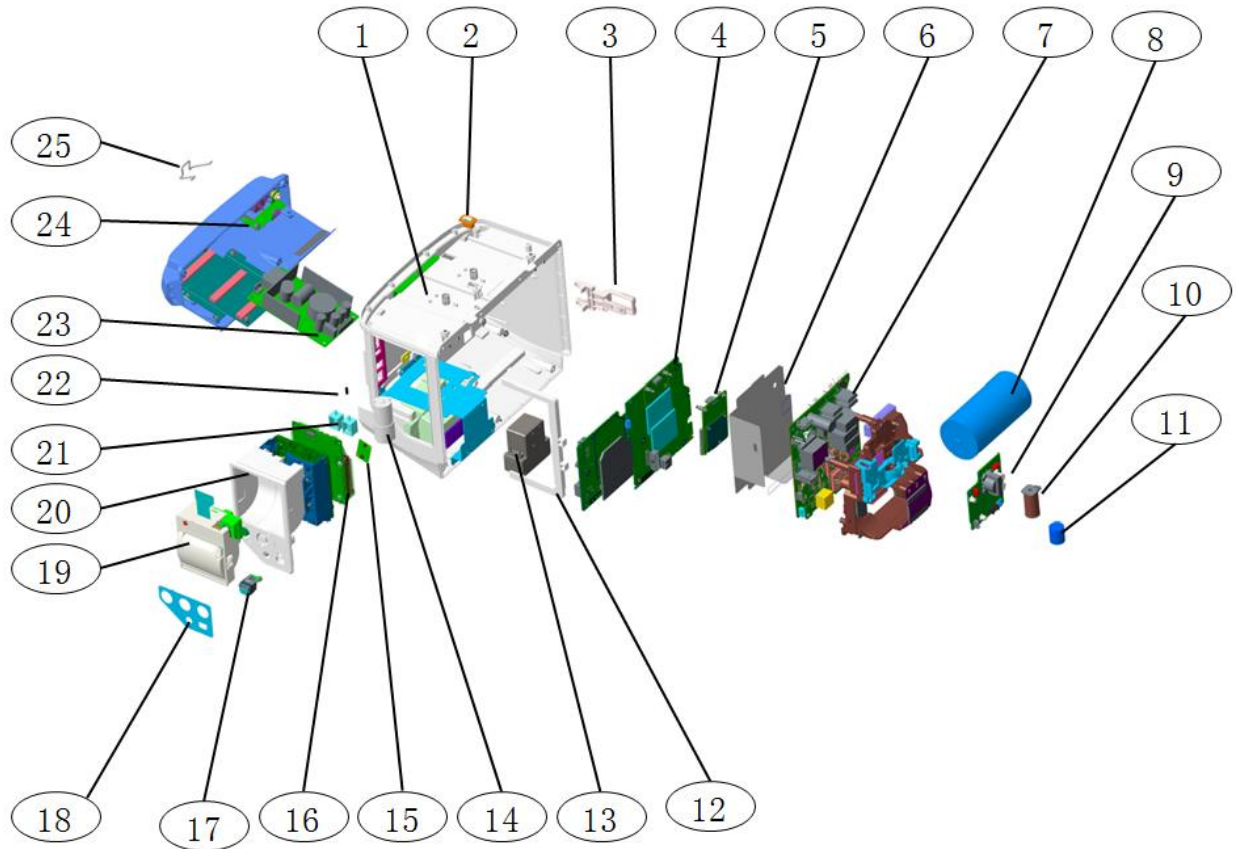
### 1.2.2 Parts List

No.	Order Number	Part Description	Qty	Remark
1	043-001114-00	knob-monitor	1	/
2	049-000216-00	Monitor Key(D3)	1	Without NIBP
	047-011909-00	silica gel key (D3/NIBP/silk screen)		With NIBP
3	047-003791-00	monitor key overlay(D3/English)	1	Without NIBP
	047-011897-00	key label(D3/NIBP/english/silk screen)		With NIBP
4	049-000217-00	Screen Key 1(D3)	1	/
5	049-000218-00	Screen Key 2(D3)	1	/
6	115-049435-00	Encoder assembly	1	Include 1,7
7	051-002778-00	Defibrillation Coder Board PCBA	1	/
8	0651-20-76734-51	mode knob	1	/
9	049-000215-00	Defib. Key(D3)	1	/
10	051-002638-00	0652 Front Keyboard PCBA	1	/

No.	Order Number	Part Description	Qty	Remark
11	051-002851-00	0652 auxiliary keyboard PCBA	1	/
12	009-001102-00	assistant keyboard connecting line	1	/
13	115-049468-00	Truly Screen assembly	1	Include LCD & Cable
	115-049469-00	Tianma Screen assembly		Include LCD & Cable
14	115-049465-00	D3 front cover assembly	1	Include 20
	115-049466-00	D2 front cover assembly		Include 20
15	049-000170-00	lens-status	1	/
16	043-000986-00	lens-alarm	1	/
	051-000491-00	0652 alarm light PCBA	1	/
17	801-0651-00126-00	encoder assembly	1	Include 8, 18
	801-0651-00043-00	encoder assembly		Include 8, 18
18	0651-21-76884	mode switch cable	1	/
19	047-003789-00	mode overlay(D3/English)	1	/
	047-005443-00	Mode label (D3/No pacer/English)		/
20	047-003792-00	overlay of product maintenance led	1	/
21	115-041367-00	Speaker FRU(D3/D6)	1	/

## 1.3 Rear Housing Assembly

### 1.3.1 Exploded View



### 1.3.2 Parts List

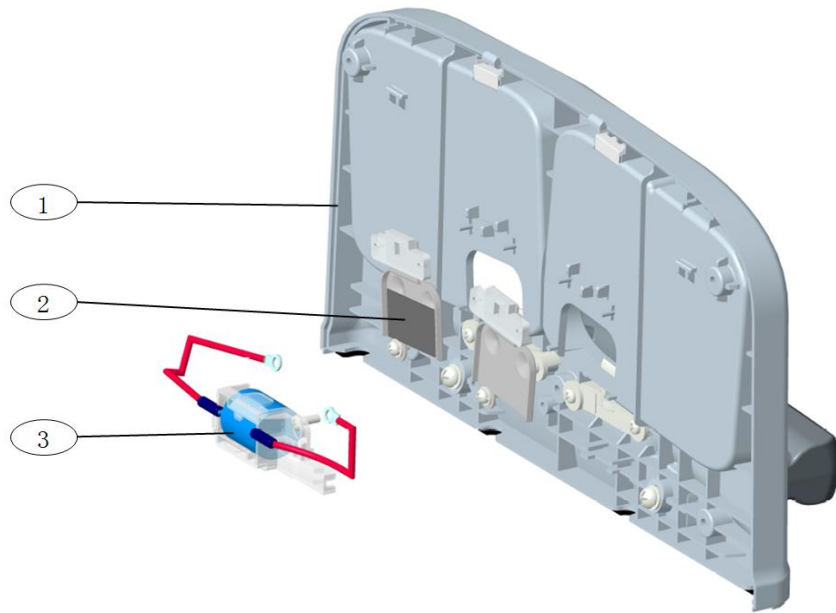
No.	Order Number	Part Description	Qty	Remark
Rear Housing Part				
1	115-049467-00	D3 rear cover assembly	1	/
2	115-049429-00	Examine the switch assembly	1	/
3	043-001116-00	blot-defibrillation	1	/
Main Control Part				
4	115-056282-00	0652 Main Control and Power Manage Board FRU	1	/
5	115-050525-00	Wifi upgrade kit(5G/ NO Mainboard)	1	/
Therapy Module Part				
6	047-018369-00	therapy module insulating trip	1	/

No.	Order Number	Part Description	Qty	Remark
7	051-002615-00-00	Therapy Board FRU(with SW)	1	/
8	009-008106-00	Dry type Cable to treatment module	1	/
9	051-002616-00	Pace Board	1	/
10	006-000239-00	IND 1.5mH 5.6Ω	1	/
11	009-007382-00	Treatment of Plate load test cable (HVR)	1	/
MPM Assembly Part				
12	043-007617-00	lock-recorder-D3	1	/
13	115-027548-00	AION Rhodium CO2 Analyzer	1	/
14	082-000862-00	pump. 12VDC with 120 wire and connector	1	/
21	082-000864-00	valve.CJV13-A12B2	1	/
15	051-002353-00	M51C-9008V3.0 SPO2 PCBA	1	/
	100-000340-00	MSX2040 masimo SPO2 board (forNon-Mahwah)		/
	101-000469-00	Nellcor SPO2 PCBA		/
16	051-002766-00	M51C 5L,MR/NC-SPO2,AO(D3)	1	/
	051-002767-00	M51C 5L,3-SPO2,NIBP,AO(D3)		/
17	115-036134-00	DRYLINE PRIME Receptacle with no panel	1	/
22	082-000098-00	630F Reducer	1	/
18	047-019272-00	Parameter label of 0652 ( ECG+SPO2 )	1	/
	047-019273-00	parameter label of 0652 ( ECG+SPO2+CO2 )		/
	047-019274-00	parameter label of 0652 ( ECG+NIBP )		/
	047-019275-00	parameter label of 0652 (ECG+SPO2+NIBP)		/
	047-018634-00	0652 Parameter Label(ECG+SPO2+NIBP+CO2)		/
20	115-012155-00	Parameter Panel assembly	1	ECG
	115-012152-00	Parameter Panel assembly		ECG+Mindray
	115-012153-00	Parameter Panel assembly		ECG+Nellcor
	115-012154-00	Parameter Panel assembly		ECG+Masimo
	115-021528-00	Parameter Panel assembly		ECG+NIBP

No.	Order Number	Part Description	Qty	Remark
	115-021529-00	Parameter Panel assembly		ECG+Mindray+NIBP
	115-021530-00	Parameter Panel assembly		ECG+Masimo+NIBP
	115-021531-00	Parameter Panel assembly		ECG+ Nellcor+NIBP
19	801-6800-00080-00	TR6F Recorder	1	/
	0000-10-11079	thermal printer head		50mm
Power Base Assembly Part				
23	115-065041-00	DELTA Power Supply Board(18V 100W) FRU	1	/
24	115-049470-00	D3 Power base assembly	1	/
25	0651-20-76990	AC plug locked hook	1	/

## 1.4 Paddle Tray Assembly

### 1.4.1 Exploded View

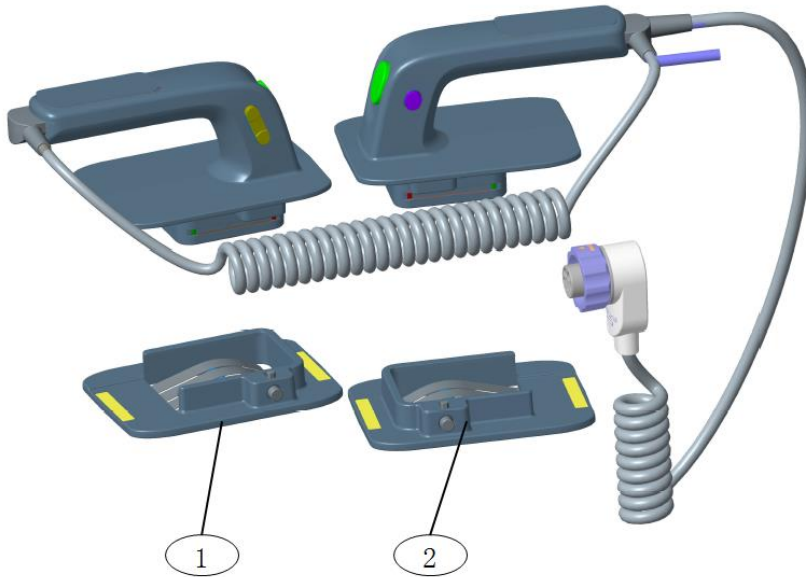


### 1.4.2 Parts List

No.	Order Number	Part Description	Qty	Remark
1	801-0652-00014-00	Electrode base assembly	1	/
2	115-067390-00	bracket-electrode FRU	1	Include 2 pcs
3	801-0651-00124-00	test load cable	1	/

## 1.5 External Paddles Assembly

### 1.5.1 Exploded View



### 1.5.2 Parts List

No.	Order Number	Part Description	Qty	Remark
1	115-032394-00	Adult sternum paddle kit	1	/
2	115-032395-00	Adult apex paddle kit	1	/
/	0651-30-77114	External Paddles	1	Include 1,2

## 1.6 Others

No.	Order Number	Part Description	Qty	Remark
1	009-008397-00	New Defi Docking cable	1	/
2	009-006848-00	Defi AC-DC to main control Power cable	1	/
3	115-067299-00	Internal Wire to Defibrillator Socket	1	/
4	009-006840-00	Defi multi_para to main control cable	1	/
5	009-007343-00	Defibrillation Coder Cable	1	/
6	009-006838-00	New Defibrillation LCD cable tianma D3	1	/
7	009-007721-00	Defibrillation LCD cable Truly (D3)	1	/
8	009-006837-00	Defi before and after the shell cable	1	/
9	1000-21-00122	CABLE GROUND, EQUIPOTENT,T5/T8	1	/
10	M07-00131F---	FUSE Time-lag 250V 3.15AD5X20	1	/
11	115-049460-00	Pace upgrade package	1	/
12	115-049471-00	ECG/Mindray upgrade package	1	/
13	115-049472-00	ECG/Nellcor upgrade package	1	/
14	115-049474-00	ECG/NIBP upgrade package	1	/
15	115-049475-00	ECG/Mindray/NIBP upgrade package	1	/
16	115-049476-00	ECG/Masimo/NIBP upgrade package	1	/
17	115-049477-00	ECG/Nellcor/NIBP upgrade package	1	/
18	115-050533-00	M02D CO2 module upgrade package	1	/
19	115-050532-00	M02D CO2 module upgrade package	1	/
20	115-050531-00	M02D CO2 module upgrade package	1	/
21	115-056520-00	WIFI to 3G Module Package FRU	1	/
22	TR6F-20-67301	Recorder gate (mold MR67301)	1	/
23	A30-000001---	PAPER,THERMAL(50MM X 20M/ROLL)	1	/