

280±1mm

123.5 mm

37.5 mm

32 mm

TEAR HERE

**WEGO**

**STERILIZED NON-PYROGENIC**  
Arterial Line:red  
Venous Line:blue



From red to yellow indicates completion of sterilization

### Extracorporeal Blood Circuit For Blood Purification Equipment

- EN** Extracorporeal Blood Circuit for Blood Purification Equipment
- DE** Durchblutung der Blut Reinigungsanlage
- FR** Circuit sanguin extracorporel pour équipement de purification du sang
- ES** Circuito de sangre extracorpóreo para equipo de purificación de sangre
- PT** Circuito de circulação sanguínea extracorpórea para equipamentos de hemofiltração
- RU** Магистраль кровопроводящая для проведения процедуры гемодиализа
- AR** مجموعة الأنابيب خارج الجسم لتنقية الدم
- JP** 血液浄化装置の体外循環血液ライン

2735U 50%

#### CAUTION

- Read instruction carefully before use.
- For single use only. Discard after use.
- Do not use if the package is open or damaged.
- Should be stored in dry and ventilating situation with relative humidity less than 80%, and without corrupting gas.
- Please check the connection of pipes before using and pre-tighten the interconnecting pieces.
- A transducer protector must be installed on each pressure monitoring line prior to patient use.
- If blood leakage occurs, replace blood lines.
- Priming volume of the blood tubing line is 130-210 mL.
- Product in the unit package is sterile and non-pyrogenic.
- For other details, please refer to instructions for use.
- Valid for two years.

Weihai Weigao Blood Purification Products Co., Ltd.  
No.20 Xingshan Road, Weihai Torch Hi-tech Science Park, 264210 Weihai,  
Shandong Province, PEOPLE' S REPUBLIC OF CHINA.  
Tel: +86-631-5660598 Fax: +86-631-5660598



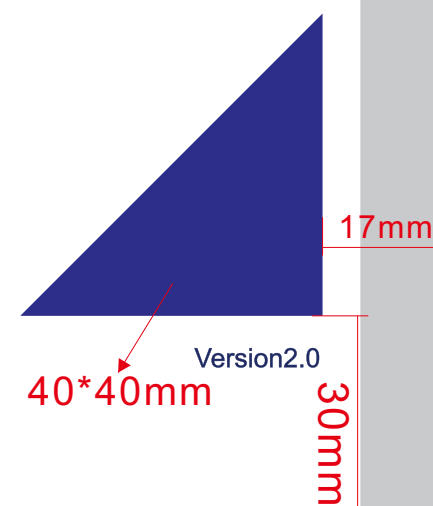
**EC REP** MedNet GmbH  
Borkstrasse 10, 48163 Muenster, GERMANY.



Type: No.

Pump segment length:

Pump segment internal diameter:



358.775±2mm

12±1

PANTONE 2735U

12±1