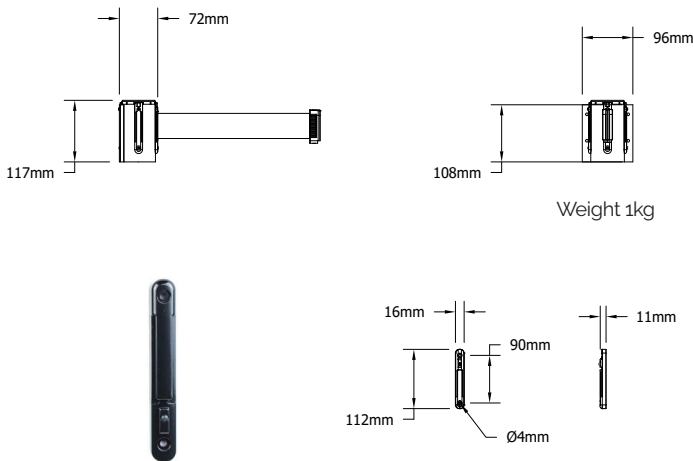
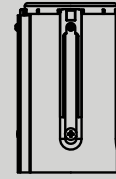


# 896 Heavy Duty Wall Mounted Unit

Perfect for limiting access to areas without taking up floor space. Features 2.3m or 3.65m of retractable webbing. Ideal for a variety of applications.



Weight 1kg

## Features & Benefits

- The heavy duty wall unit features a Tensabarrier® cassette which is encased in a steel body, providing added strength and protection to the components inside.
- The unit can be easily installed onto a variety of surfaces to suit different applications.
- Safest barrier on the market- our cassettes have a unique braking system for slower webbing retraction.

## Product Specification

- Steel body available in a variety of powder coated finishes, polished chrome or stainless steel.
- Two mounting options available depending on the application: standard and glass mount.
- A variety of tape end options are available: standard anti-tamper, rubber, panic break, magnetic, one way loop, and wire clip.
- Modular webbing cassette – all cassettes come as standard with our four-point anti-tamper webbing connectivity. This allows you to connect other Tensabarrier® products to the receiver splines on the wall unit head.
- Available with any Tensator® standard (50mm) webbing options.
- Tools only required for mounting the unit to desired surface. Screws are not included as this is dependent on wall type.
- Each unit comes with corresponding wall receiver clip which allows the wall unit webbing to connect to - made from Zinc for its anti-corrosive properties.

## Applications

- Eliminate unsafe working conditions by clearly defining routes.
- Restrict access to dangerous areas.
- Limit pedestrian access to out of service areas.
- Use to identify hazards before they cause harm.
- Ideal for a variety of applications.

### Order Code

- 896-STD – Heavy Duty Wall Mounted Unit 2.3m
- 896-STD- 1P – Heavy Duty Wall Mounted Unit 2.3m in Polished Chrome
- 896-STD-3B – Heavy Duty Wall Mounted Unit 2.3m in Brushed Stainless Steel
- 896-MAX – Heavy Duty Wall Mounted Unit 3.65m
- 896-MAX- 1P – Heavy Duty Wall Mounted Unit 3.65m in Polished Chrome
- 896-MAX-3B – Heavy Duty Wall Mounted Unit 3.65m in Brushed Stainless Steel

### Product Configuration

#### Fixing Options



Standard & glass fixings available

#### Unit Finishes



Variety of finishes available

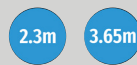
#### Webbing Options



Standard Webbing

50mm width

#### Webbing Lengths



Two lengths available

#### Webbing Designs



Full range of colours, designs and custom options

#### Tape End Options



Six options available

MILTON KEYNES  
+44 1908 684 600

NEW YORK  
+1-800-441-0019

DUBAI  
+971 4 2997 228

PARIS  
+33 1 43 09 85 00

FRANKFURT  
+49 69 3003 89 010

WROCLAW  
+48 71 359 3800