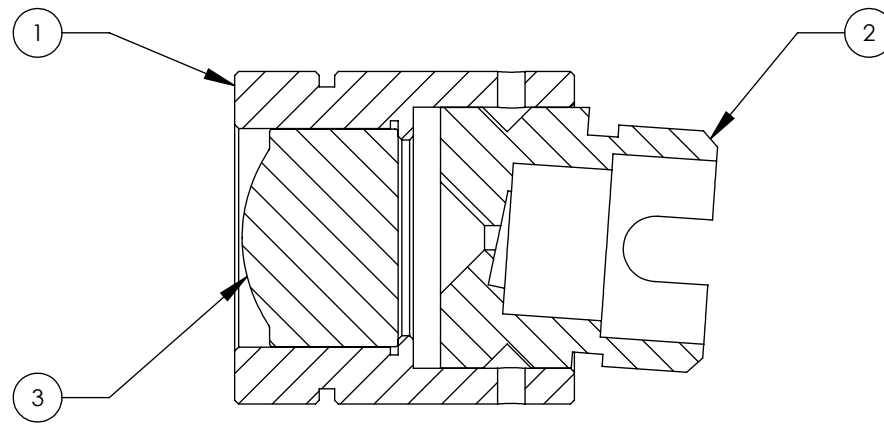
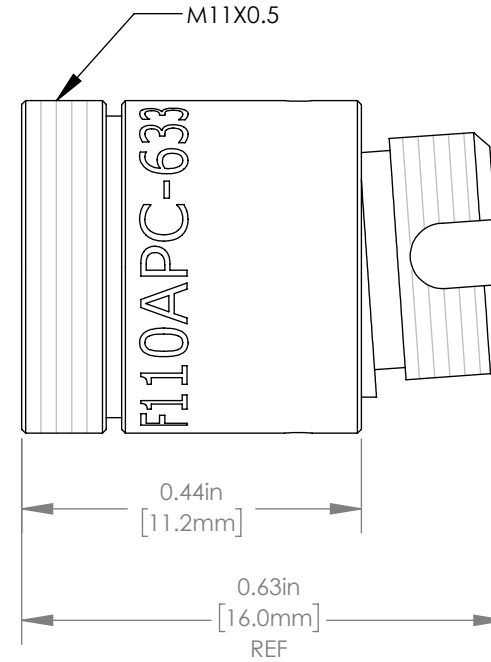
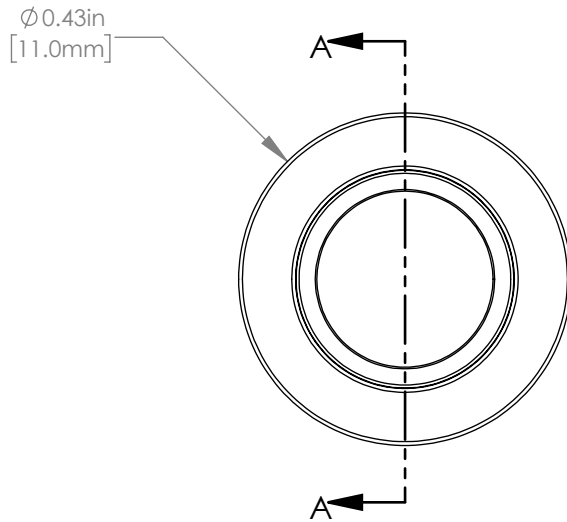


	ITEM	MATERIAL
①	HOUSING	303 STAINLESS STEEL
②	FC/APC PLUG ADAPTER	303 STAINLESS STEEL
③	∅7.2mm, f=6.17 mm LENS	MOLDED ASPHERE



SPECIFICATIONS

DESIGN WAVELENGTH	633 nm
DESIGN MFD	4.3 μm
OUTPUT 1/e ² BEAM DIAMETER	1.16 mm
FULL ANGLE BEAM DIVERGENCE	0.04° ^{+0.01} _{-0.00}
AR COATING	Ravg<0.5% FROM 350-700 nm



SECTION A-A

THORLABS FIBER COLLIMATION PACKAGES ARE DESIGNED TO COLLIMATE A LASER BEAM PROPAGATING OUT THE END OF AN OPTICAL FIBER. EACH COLLIMATION PACKAGE IS FACTORY ALIGNED SO THAT THE BEST POSSIBLE DIVERGENCE IS ACHIEVED.

FOR INFORMATION ONLY
NOT FOR MANUFACTURING PURPOSES

DRAWING
PROJECTION



	NAME	DATE
DRAWN	ST	05/MAR/18
APPROVAL	CP	14/MAR/18

COPYRIGHT © 2018 BY THORLABS

VALUES IN PARENTHESIS ARE CALCULATED AND MAY CONTAIN ROUND OFF ERRORS

THORLABS
www.thorlabs.com

λ=633 nm FC/APC COLLIMATION PACKAGE, NA=0.38, f=6.17 mm

MATERIAL	SEE TABLE	REV A
----------	-----------	----------

ITEM # F110APC-633	APPROX WEIGHT 6.7 g
-----------------------	------------------------