



Isolating Switch and Fuse

Reliable made affordable





About Himel

Himel is a multinational manufacturer and provider of electrical products successfully combining global expertise with local knowledge.

Founded by a Spanish entrepreneur in 1958, the company pioneered in exporting quality electrical enclosures, establishing Himel brand globally. Today, our global footprint and technology enable us to provide the best combination of affordable and reliable offers for Low Voltage Power distribution, Industry Automation and Home Electric to our long-term customers and partners in over 50 countries where we are present.

Himel. Reliable made affordable



LOW VOLTAGE DISTRIBUTION

HDGL Switch Disconnectors

Standard: IEC60947-3



Range Presentation

HDGL is Himel range of Switch Disconnectors used in power distribution system for isolation and switching.

Features

- ◆ For AC 50/60Hz systems
- ◆ Max. rated operating voltage: 690V
- ◆ Max. rated operating current: 3150A

Online Content



HDGL

Selection Code

Range name	Type	Frame current	Pole number	Shaft	Window	Rated current
HDGL	Z	160	3	J	K	100
HDGL	Default: Normal type Z: Overlap type ZC: Symmetric type	63: 63A 100: 100A 160: 160A 250: 250A 630: 630A 1600: 1600A 3150: 3150A	3: 3P 4: 4P	Default: no shaft J: External operation with extended shaft 300mm	Default: no window K: with observing window	16: 16A 25: 25A 32: 32A 40: 40A 63: 63A ... 2000: 2000A 2500: 2500A 3150: 3150A



Technical Parameters

Switch Disconnectors	HDGL									
Utilization Category	AC-22B									
Conventional free air thermal current (A)	16 25 32 40 63	80 100	100 125 160	200 250	315 400	500 630	800 1000 1250 1600	2000 2500 3150		
Power frequency withstand voltage (V)	2000									
Rated insulation voltage (V)	800									
Rated impulse withstand voltage Uimp	12kV(2000m)									
Rated short-time withstand current (kA)	2		12		20	25		50		
Mechanical Endurance	8000			5000			3000	1000		
Electrical Endurance	1500		200				100			

Note:

- Default length of the extended shaft for external operation handle is 300mm, (500mm available on request).
- Window: no window for 16-100A, and 125A-3150A can be manufactured with window
- No auxiliary contact for 16-100A
- Maximum rated current for symmetric type double-throw switch is 1600A

LOW VOLTAGE DISTRIBUTION

HDGL Switch Disconnectors

Standard: IEC60947-3

Accessories Selection Code



HDGL1600OF11



HDGL3150OF11



HDGLZ(C)630OF11



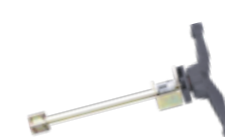
HDGL100J300



HDGL630J300



HDGL3150J300



HDGL3150JB300



HDGLZ630J300

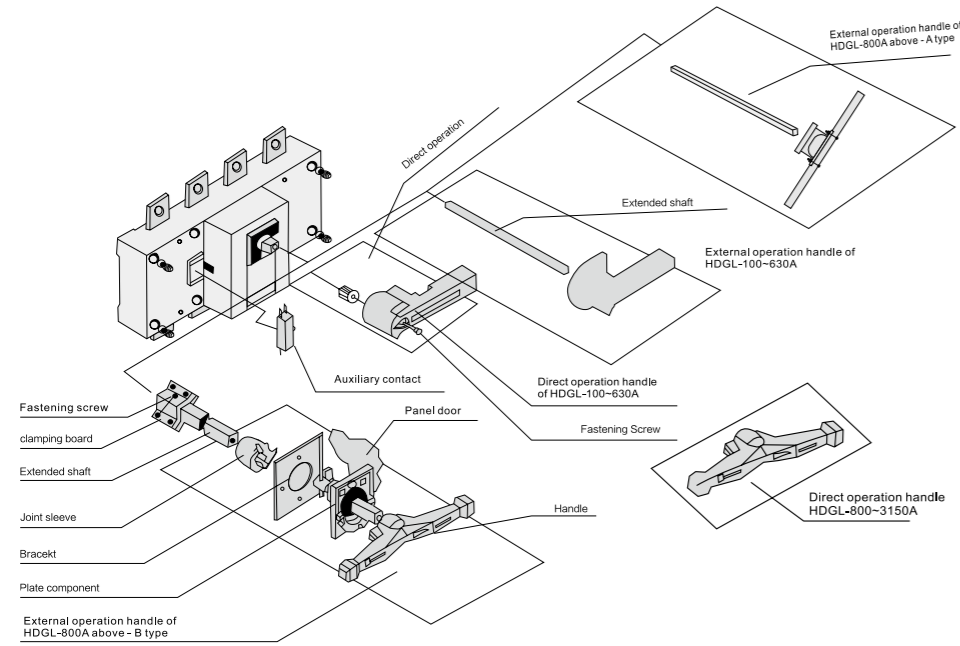
Standard Reference	Description
HDGL1600OF11	HDGL-100~1600A Auxiliary contact 1NO1NC
HDGL1600OF22	HDGL-100~1600A Auxiliary contact 2NO2NC
HDGL3150OF11	HDGL-2000~3150A Auxiliary contact 1NO1NC
HDGL3150OF22	HDGL-2000~3150A Auxiliary contact 2NO2NC
HDGLZ630OF11	HDGLZ-100~630A Auxiliary contact 1NO1NC
HDGLZ630OF22	HDGLZ-100~630A Auxiliary contact 2NO2NC
HDGLZ3150OF11	HDGLZ-800~3150A Auxiliary contact 1NO1NC
HDGLZ3150OF22	HDGLZ-800~3150A Auxiliary contact 2NO2NC
HDGLZC630OF11	HDGLZC-100~630A Auxiliary contact 1NO1NC
HDGLZC630OF22	HDGLZC-100~630A Auxiliary contact 2NO2NC
HDGLZC1600OF11	HDGLZC-800~1600A Auxiliary contact 1NO1NC
HDGLZC1600OF22	HDGLZC-800~1600A Auxiliary contact 2NO2NC
HDGL100J300	HDGL(Z)(C) 16~100A External operation handle with 300mm shaft
HDGL630J300	HDGL 100~630A External operation handle with 300mm shaft
HDGL3150J300	HDGL(Z)(C) 800~3150AF External operation handle with 300mm shaft
HDGL3150JB300	HDGL(Z)(C) 800~3150A External operation handle with 300mm shaft B type
HDGLZ630J300	HDGLZ(C) 100~630A External operation handle with 300mm shaft

HDGL Switch Disconnectors

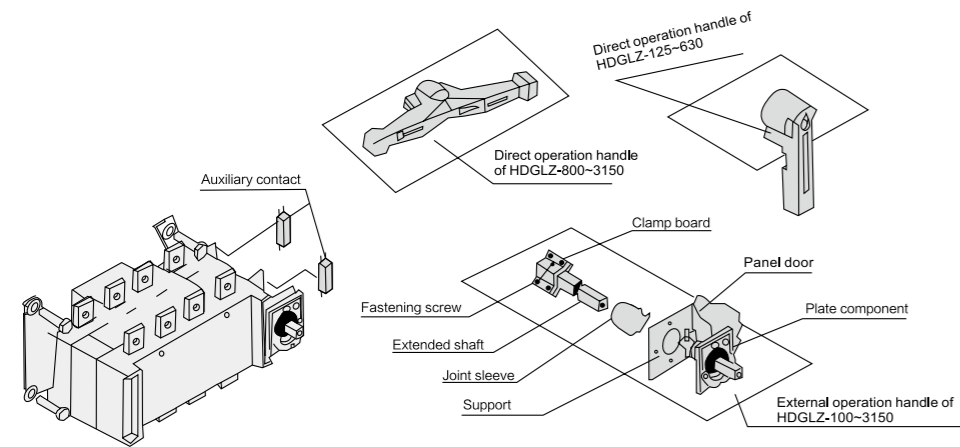
Standard: IEC60947-3

HDGL(Z)(C) Assembly Demonstration

HDGL assembly demonstration



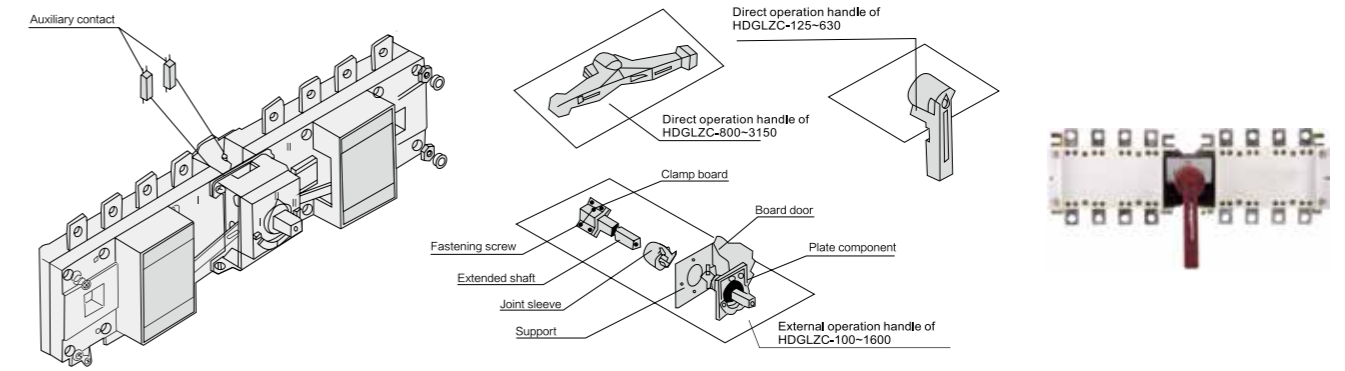
HDGLZ assembly demonstration



HDGL Switch Disconnectors

Standard: IEC60947-3

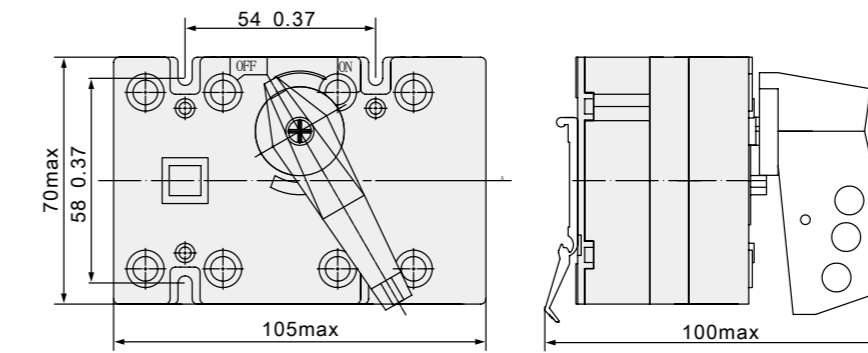
HDGLZC assembly demonstration



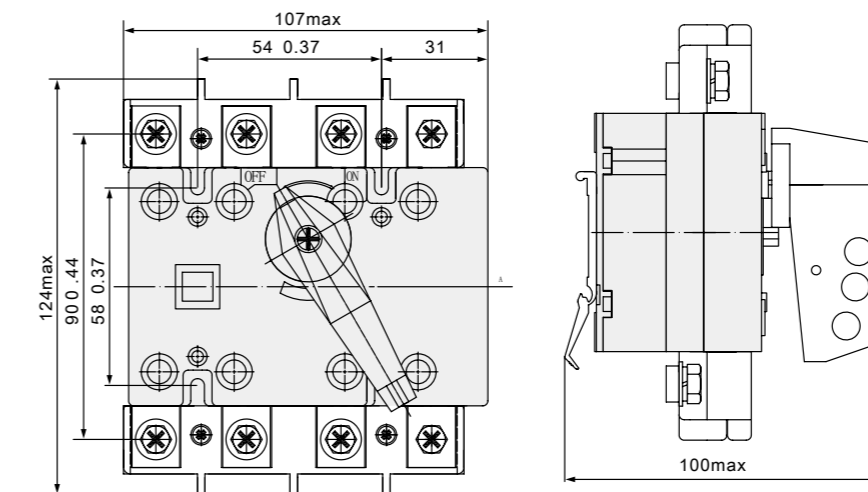
Overall and Installation Dimensions

HDGL-16~63/3(4) and HDGL-80~100/3(4) (100A here is under 100AF)

HDGL-16~63/3(4)



HDGL-80~100/3(4)

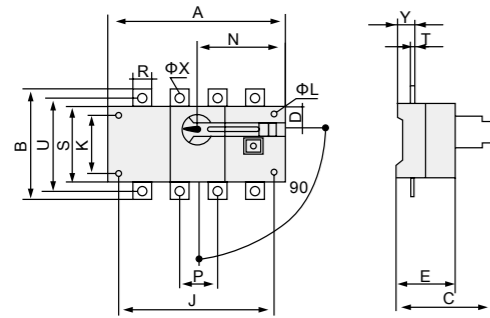


HDGL Switch Disconnectors

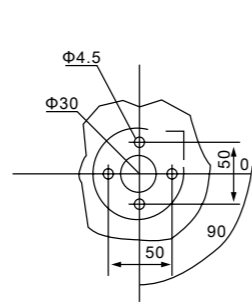
Standard: IEC60947-3

Overall and Installation Dimensions

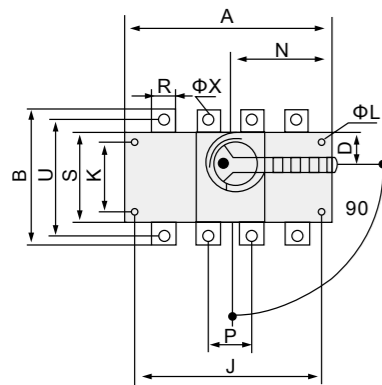
HDGL-100~630A(100A here is under 160AF.)



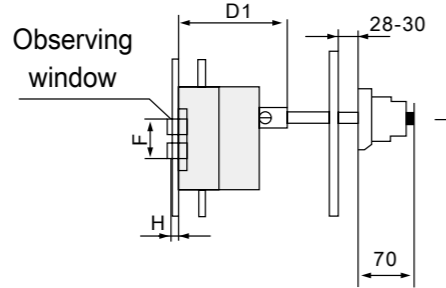
HDGL-100~630A Direct operation



Mounting dimension of handle base outside cabinet



HDGL-100~630A/JK External operation



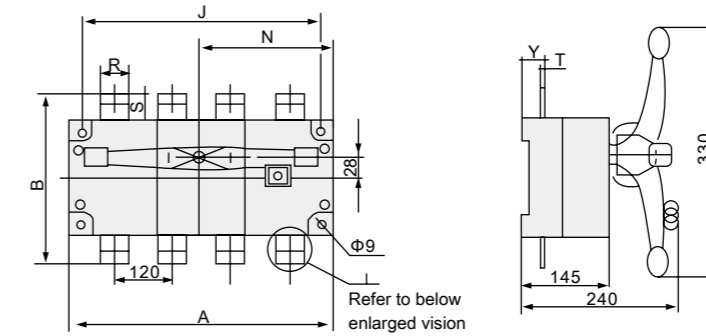
Specifications	Overall dimensions and mounting dimensions																		
HDGL-100~630AF	A	B	C	D	D1	E	ΦL	J	K	N	P	R	S	T	U	ΦX	Y	F	H
100A/3 (160AF)	140	135	120	27	92	73	5.5	120	65	85	36	20	85	3.5	115	9	25	53	10
100A/4 (160AF)	170	135	120	27	92	73	5.5	150	65	85	36	20	85	3.5	115	9	25	53	10
125A/3	140	135	120	27	92	73	5.5	120	65	85	36	20	85	3.5	115	9	25	53	10
125A/4	170	135	120	27	92	73	5.5	150	65	85	36	20	85	3.5	115	9	25	53	10
160A/3	140	135	120	27	92	73	5.5	120	65	85	36	20	85	3.5	115	9	25	53	10
160A/4	170	135	120	27	92	73	5.5	150	65	85	36	20	85	3.5	115	9	25	53	10
200A/3	180	170	138	35	98	86	6.5	160	90	115	50	25	110	3.5	140	11	25	80	15
200A/4	230	170	138	35	98	86	6.5	210	90	115	50	25	110	3.5	140	11	25	80	15
250A/3	180	170	138	35	98	86	6.5	160	90	115	50	25	110	3.5	140	11	25	80	15
250A/4	230	170	138	35	98	86	6.5	210	90	115	50	25	110	3.5	140	11	25	80	15
315A/3	230	240	175	50	135	110	7	210	140	145	65	32	160	4.5	206	11	37	104	20
315A/4	290	240	175	50	135	110	7	270	140	145	65	32	160	4.5	206	11	37	104	20
400A/3	230	240	175	50	135	110	7	210	140	145	65	32	160	4.5	206	11	37	104	20
400A/4	290	240	175	50	135	110	7	270	140	145	65	32	160	4.5	206	11	37	104	20
500A/3	230	260	175	50	135	110	7	210	140	145	65	40	160	6	220	13	37	104	20
500A/4	290	260	175	50	135	110	7	270	140	145	65	40	160	6	220	13	37	104	20
630A/3	230	260	175	50	135	110	7	210	140	145	65	40	160	6	220	13	37	104	20
630A/4	290	260	175	50	135	110	7	270	140	145	65	40	160	6	220	13	37	104	20

HDGL Switch Disconnectors

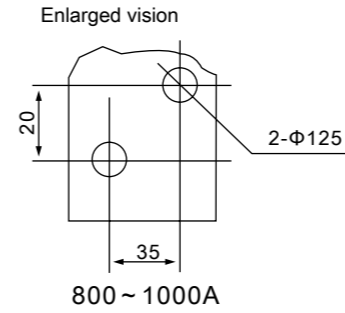
Standard: IEC60947-3

Overall and Installation Dimensions

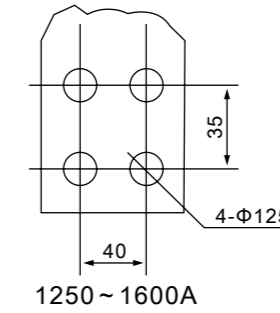
HDGL-800~1600



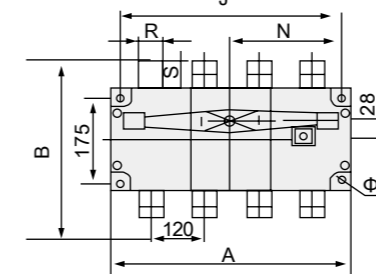
HDGL-800 ~ 1600A



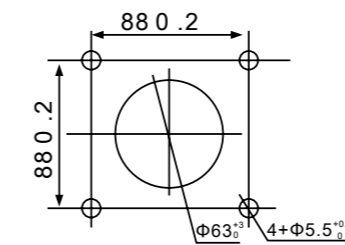
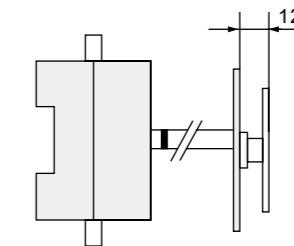
800 ~ 1000A



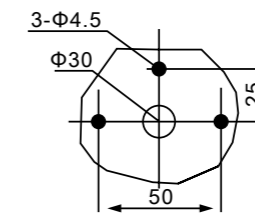
1250 ~ 1600A



HDGL-800 ~ 1600A/J



A type:mounting dimension of outside handle base



B type:Mounting dimension of outside handle base

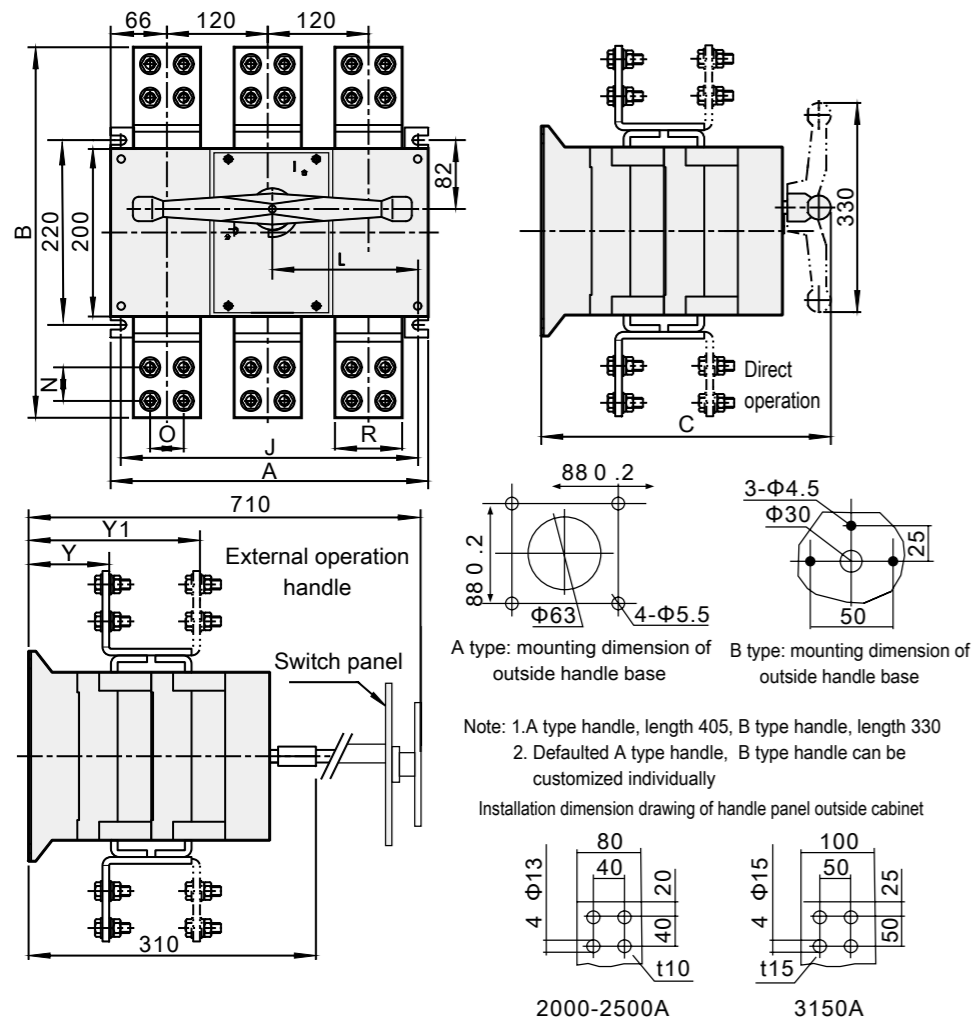
Note: 1. A type handle, length 405; B type handle, length 330
2. Defulted A type handle,B type handle can be customized individually

HDGL Switch Disconnectors

Standard: IEC60947-3

Specifications	Overall dimensions and mounting dimensions							
	A	B	J	N	R	S	T	Y
HDGL-800A~1600A								
800A~1000A/3	378	312	353	185	60	56	8	48
800A~1000A/4	498	312	473	245	60	56	8	48
1250A/3	378	360	353	185	80	78	8	48
1250A/4	498	360	473	245	80	78	8	48
1600A/3	378	360	353	185	80	78	10	49
1600A/4	498	360	473	245	80	78	10	49

HDGL-2000A~3150A

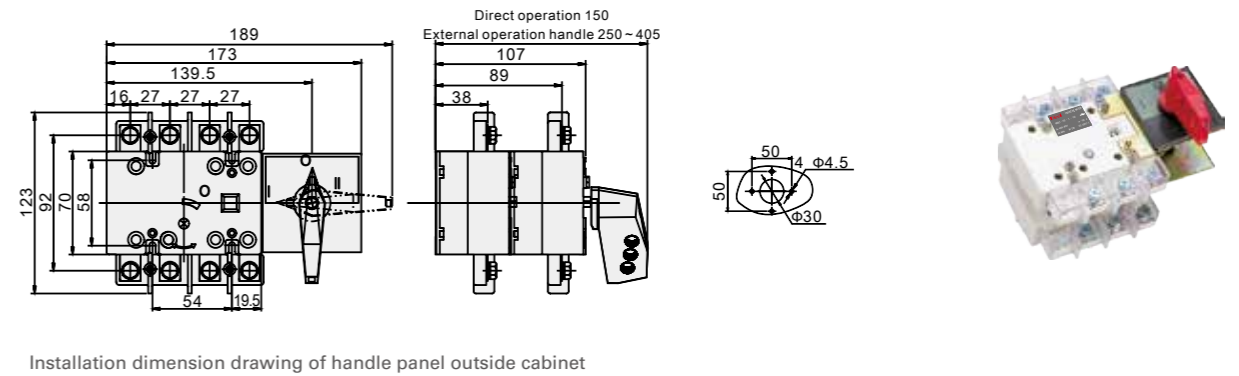


HDGL Switch Disconnectors

Standard: IEC60947-3

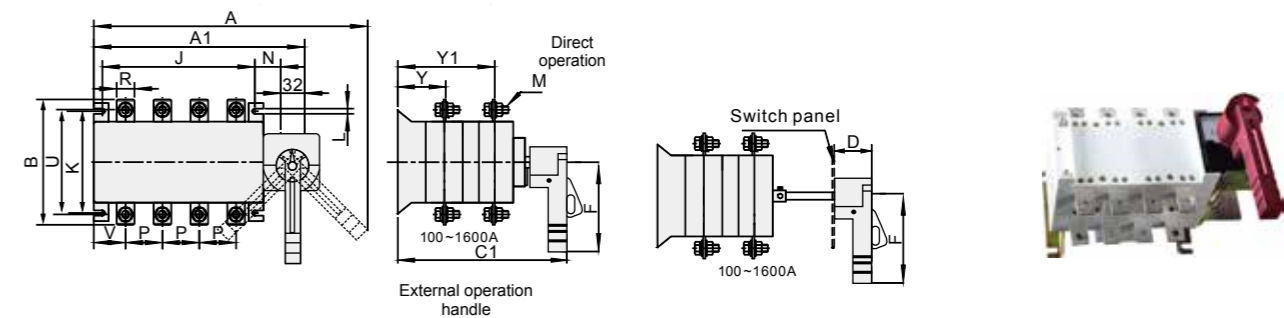
Specification current	HDGL-2000,2500,3150 Installation dimensions of switchgear and switchgear inside cabinet (mm)									
	A	B	C	L	J	N	O	R	Y	Y1
HDGL-2000A/3	378	440	374	173.5	350	40	40	80	92	225
HDGL-2500A/3	378	440	374	173.5	350	40	40	80	92	225
HDGL-3150A/3	378	510	374	173.5	350	50	50	100	76	245
HDGL-2000A/4	500	440	374	235	473	40	40	80	92	225
HDGL-2500A/4	500	440	374	235	473	40	40	80	92	225
HDGL-3150A/4	500	510	374	235	473	50	50	100	76	245

HDGLZ-80~100A (100A here is under 100AF)



Installation dimension drawing of handle panel outside cabinet

HDGLZ-100~1600A (100A here is under 160AF)



External operation handle

HDGL Switch Disconnectors

Standard: IEC60947-3

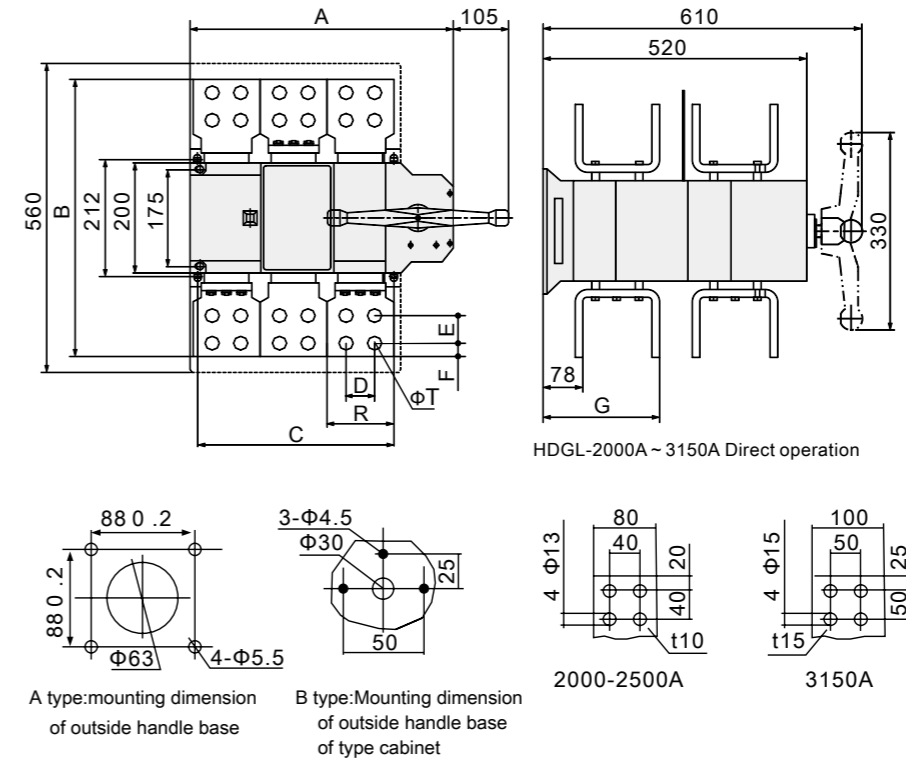
Specification current	Overall dimensions and mounting dimensions (mm)																
	A	A1	B	C1	D	F	J	K	L	N	P	R	U	V	φM	Y	Y1
100-160A/3	265	196	135	211	85	115	120	95	7	29.5	36	20	115	29	8	55	122
100-160A/4	295	226	135	211	85	115	150	95	7	29.5	36	20	115	29	8	55	122
200-250A/3	310	235	170	240	85	115	160	115	8.5	29.5	50	25	142	37	10	65	148
200-250A/4	360	288	170	240	85	115	210	115	8.5	29.5	50	25	142	37	10	65	148
315-400A/3	405	305	240	312	85	143	210	180	10	43	65	30	205	48	10	85	200
315-400A/4	460	365	240	312	85	143	275	180	10	43	65	30	205	48	10	85	200
500-630A/3	405	305	260	312	85	143	210	180	10	43	65	40	220	48	12	86	201
500-630A/4	460	365	260	312	85	143	275	180	10	43	65	40	220	48	12	86	201
800-1000A/3	585	480	320	410	105	165	350	220	11	50	120	60	246	73	10	115	260
800-1000A/4	715	600	320	410	105	165	473	220	11	50	120	60	246	73	10	115	260
1250A/3	585	480	340	410	105	165	350	220	11	50	120	80	246	73	12	115	260
1250A/4	715	600	340	410	105	165	473	220	11	50	120	80	246	73	12	115	260
1600A/3	585	480	340	410	105	165	350	220	11	50	120	80	246	73	12	116	262
1600A/4	715	600	340	410	105	165	473	220	11	50	120	80	246	73	12	116	262

HDGL Switch Disconnectors

Standard: IEC60947-3

Overall and Installation Dimensions

HDGLZ-2000~3150A



HDGL-2000A ~ 3150A Direct operation

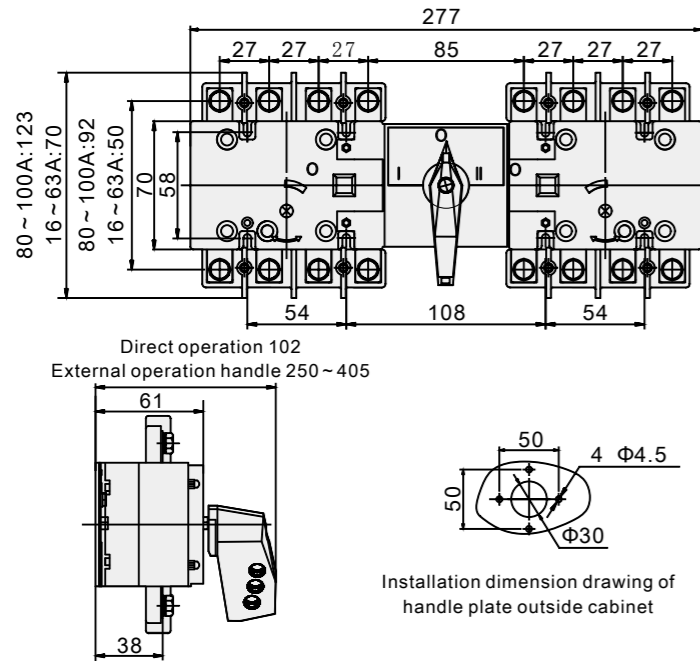
Note: 1. A type handle, length 405, B type handle, length 330;
2. Defaulted A type handle, B type handle can be customized individually

Specification current	Overall dimensions and mounting dimensions (mm)								
	A	B	C	D	E	F	G	T	R
2000A/3	479	418	353	40	40	20	220	10	80
2000A/4	598	418	473	40	40	20	220	10	80
2500A/3	479	418	353	40	40	20	220	10	80
2500A/4	598	418	473	40	40	20	220	10	80
3150A/3	479	492	353	50	50	25	320	15	100
3150A/4	598	492	473	50	50	25	320	15	100

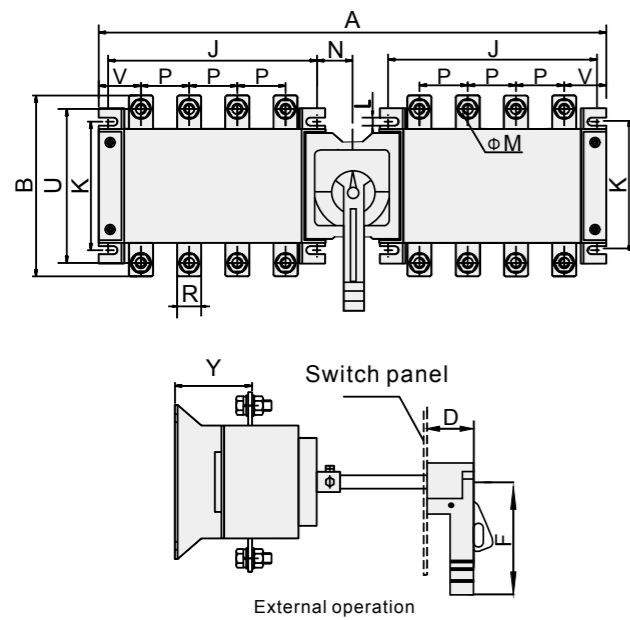
HDGL Switch Disconnectors

Standard: IEC60947-3

HDGLZC-16~100A (100A here is under 100AF)



HDGLZC-100~1600A (100A here is under 160AF)



HDGL Switch Disconnectors

Standard: IEC60947-3

Overall and Installation Dimensions

Specification current	Overall dimensions and mounting dimensions (mm)														
	A	B	C	D	F	J	K	L	N	P	R	U	V	øM	Y
100-160A/3	320	135.5	144	85	115	120	95	7	29.5	36	20	115	29	8	55
100-160A/4	380	135.5	144	85	115	150	95	7	29.5	36	20	115	29	8	55
200-250A/3	400	172	158	85	115	160	115	8.5	29.5	50	25	142	37	10	65
200-250A/4	503	172	158	85	115	210	115	8.5	29.5	50	25	142	37	10	65
315-400A/3	545	240	195	85	143	210	180	10	43	65	30	205	48	10	85
315-400A/4	660	240	195	85	143	275	180	10	43	65	30	205	48	10	85
500-630A/3	545	260	195	85	143	210	180	10	43	65	40	220	48	12	86
500-630A/4	660	260	195	85	143	275	180	10	43	65	40	220	48	12	86
800-1000A/3	840	320	258	105	165	350	220	11	50	120	60	/	73	10	115
800-1000A/4	1080	320	258	105	165	473	220	11	50	120	60	/	73	10	115
1250A/3	840	340	258	105	165	350	220	11	50	120	80	/	73	12	115
1250A/4	1080	340	258	105	165	473	220	11	50	120	80	/	73	12	115
1600A/3	840	340	258	105	165	350	220	11	50	120	80	/	73	12	116
1600A/4	1080	340	258	105	165	473	220	11	50	120	80	/	73	12	116

HRT16 Fuse with Blade Contacts Fuse-link

Standard: IEC60269

Range Presentation

- HRT16: Knife-shape Fuses

Features

- ◆ For HRT16 series
 - 5 sizes of "gG" fuse link 000, 00, 1, 2, 3
 - High breaking capacity 120kA
 - Wide current range from 2A up to 630A
 - Rated voltage 500Va.c, 690Va.c, 250Vd.c, 440Vd.c
 - Situated for standard HRT16 fuse bas

Online Content



HRT16

HRT16 Selection Code

Model	Fuse-link Type	Rated Operating current
HRT16	000S	100
HRT16: HRT16 Fuse link	000S: HRT16 -00C 00: HRT16 -00 1: HRT16 -1 2: HRT16 -2 3: HRT16 -3	2: 2A 4: 4A 6: 6A ... 450: 450A 500: 500A 630: 630A
HRT16: HRT16 Fuse Base	00: rated current is 160A 1: rated current is 250A 2: rated current is 400A 3: rated current is 630A	ZS: Resin Material



Accessory	Usage	Reference
Fuse puller	To Assemble and replace HRT16	HRT16C

Technical Parameters of Fuse link					
Product Series	HRT16000S	HRT1600	HRT161	HRT162	HRT163
Other Business Model	NH000	NH00	NH1	NH2	NH3
Rated Current	2-100A	2-160A	80-250A	125-400A	315-630A
Rated operating voltage	AC500/690V/DC250	AC500/690V/DC250	AC500/690V/DC440	AC500/690V/DC440	AC500/690V/DC440
Rated breaking capacity	120/50/100kA	120/50/100kA	120/50/100kA	120/50/50kA	120/50/50kA
Rated Power dissipation Max.	12w	12w	32w	45w	60w
Breaking range and Utilization category	gG				

HRT16 Fuse with Blade Contacts Fuse-link

Standard: IEC60269

Fuse Link Order Information

Size	Rated Current In (A)	Suitable fuse base	Weight (g)	Reference
000	2	HRT16-00	123	HRT16000S2
	4			HRT16000S4
	6			HRT16000S6
	8			HRT16000S8
	10			HRT16000S10
	12			HRT16000S12
	16			HRT16000S16
	20			HRT16000S20
	25			HRT16000S25
	32			HRT16000S32
	40			HRT16000S40
	50			HRT16000S50
	62			HRT16000S63
80	HRT16000S80			
	100			HRT16000S100
00	2	HRT16-00	170	HRT16002
	4			HRT16004
	6			HRT16006
	8			HRT16008
	10			HRT160010
	12			HRT160012
	16			HRT160016
	20			HRT160020
	25			HRT160025
	32			HRT160032
	40			HRT160040
	50			HRT160050
	63			HRT160063
	80			HRT160080
	100			HRT1600100
	125			HRT1600125
160	HRT1600160			
1	80	HRT16-1	450	HRT16180
	100			HRT161100
	125			HRT161125
	160			HRT161160
	200			HRT161200
	250			HRT161250
2	125	HRT16-2	660	HRT162125
	160			HRT162160
	200			HRT162200
	250			HRT162250
	300			HRT162300
	315			HRT162315
	355			HRT162355
	400			HRT162400

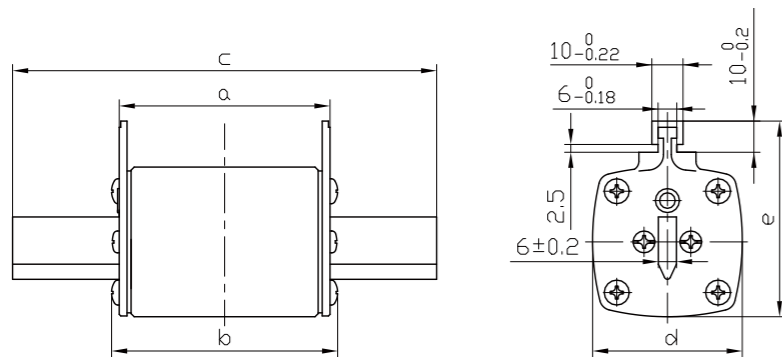
HRT16 Fuse with Blade Contacts Fuse-link

Standard: IEC60269

Fuse Base Order Information

Size	Rated Current In (A)	Suitable fuse base	Weight (g)	Reference
3	315	HRT16-3	850	HRT163315
	355			HRT163355
	400			HRT163400
	450			HRT163450
	500			HRT163500
	630			HRT163630

Fuse Link Overall Dimensions

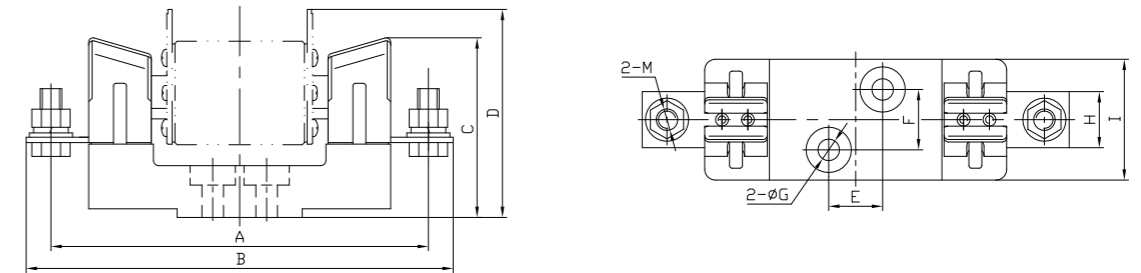


Dimension	HRT16-000S	HRT16-00	HRT16-1	HRT16-2	HRT16-3
a	49	49	67	67	67
b	54	54	72	72	72
c	78	78.5	136	150	150
d	21	29	48	59	67
e	53	57	62	73	85

HRT16 Fuse with Blade Contacts Fuse-link

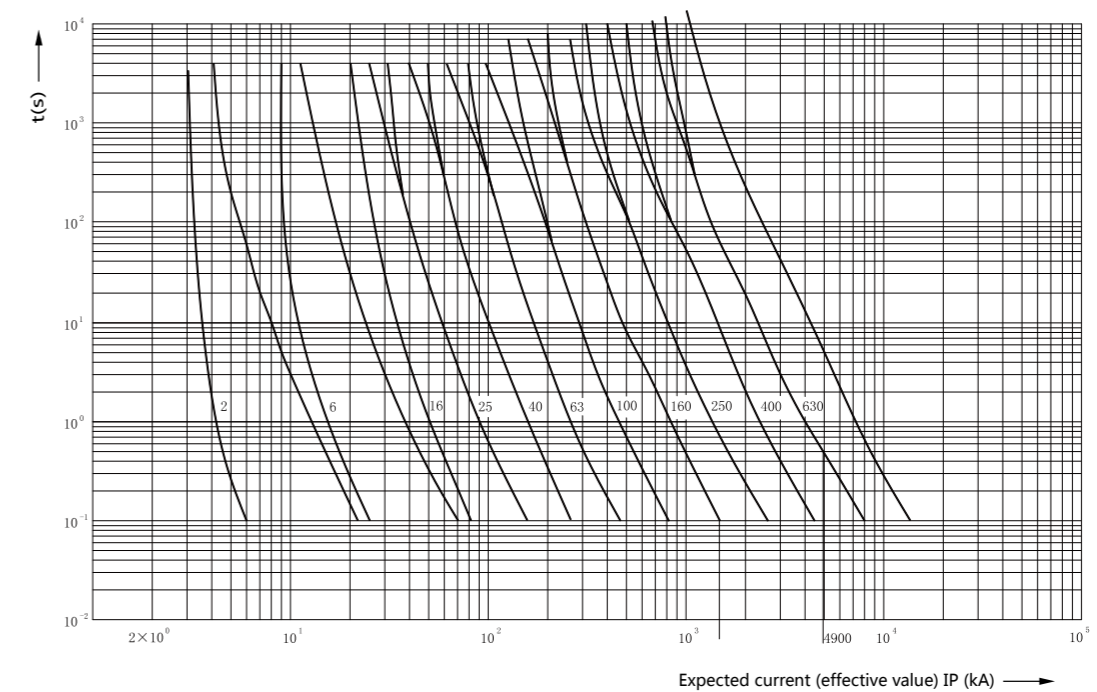
Standard: IEC60269

Fuse Base Overall Dimensions



Dimension	HRT16-00	HRT16-1	HRT16-2	HRT16-3
a	102	175	200	260
b	122	198	225	248
c	60	83	96	104
d	82	96	116	126
e	25	25	25	25
f	-	28	28	28
g	8	11	11	11
h	25	26	30	39
i	30	56	61	61
m	M8	M10	M10	M12

Time Current Characteristic Curve



HRT18 Fuse with Cylindrical Contacts Fuse-link

Standard: IEC60269

Range Presentation

- HRT18: Cyliner Cap-shape Fuses

Features

- For HRT18 series
 - The rating is between 2A to 63A, total 13 ratings
 - Two kinds of materials for fuse holders: Resin and Nylon
 - Indicator can be a option for customers

Online Content



HRT18

HRT16 Selection Code

Range name	Fuse-link Type	Rated operating current
HRT18	1038	2
HRT18:HRT18 Fuse link	1038: maximum rating is 32A 1451: maximum rating is 63A	2: 2A 4: 4A ... 63: 63A



Range name	Fuse-link Type	Pole number	Indicator	Material
HRT18	32Z	2	X	B
HRT18:HRT18 Fuse Holder	32Z: 32A holder 63Z: 63A holder	Default: 1P 2: 2P 3: 3P	Default: Without indicator X: With indicator	Default: Nylon (only available for 32A holder) B: Resin



Technical Parameters of Fuse link		
Product Series	HRT181038	HRT181451
Rated Current	2-32A	2-63A
Rated operating voltage	AC380/AC500	AC380/AC500
Rated breaking capacity	100kA	100kA
Rated Power dissipation max.	3w	5w
Breaking range and Utilizaion category	gG	

HRT18 Fuse with Cylindrical Contacts Fuse-link

Standard: IEC60269

Fuse Link Order Information

Cylindrical Fuse	Rated Current In(A)	Weight (g)	Reference
HRT18-32	2	8	HRT1810382
	4		HRT1810384
	6		HRT1810386
	8		HRT1810388
	10		HRT18103810
	12		HRT18103812
	16		HRT18103816
	20		HRT18103820
	25		HRT18103825
	32		HRT18103832
HRT18-32	2	20	HRT1814512
	4		HRT1814514
	6		HRT1814516
	8		HRT1814518
	10		HRT18145110
	12		HRT18145112
	16		HRT18145116
	20		HRT18145120
	25		HRT18145125
	32		HRT18145132
	40		HRT18145140
	50		HRT18145150
	63		HRT18145163

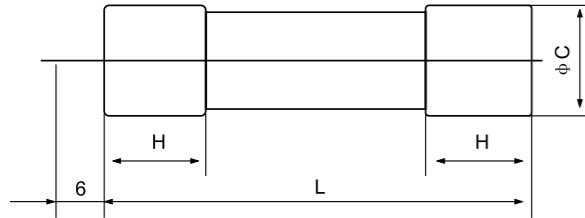
Fuse Holder Order Information

Fuse Holder	Pole	Rated Current In(A)	Note	Weight(g)	Reference
HRT18-32X	1P	32	Material: Resin	82	HRT1832ZXB
	2P		With indicator		HRT1832Z2XB
	3P				HRT1832Z3XB
HRT18-32	1P	32	Material: Resin	82	HRT1832ZB
	2P		Without indicator		HRT1832Z2B
	3P				HRT1832Z3B
HRT18-32X	1P	32	Material: Nylon	82	HRT1832ZX
	2P		With indicator		HRT1832Z2X
	3P				HRT1832Z3X
HRT18-32	1P	32	Material: Nylon	82	HRT1832Z
	2P		Without indicator		HRT1832Z2
	3P				HRT1832Z3
HRT18-63X	1P	63	Material: Resin	206	HRT1863ZXB
	2P		With indicator		HRT1863Z2XB
	3P				HRT1863Z3XB
HRT18-63	1P	63	Material: Resin	206	HRT1863ZB
	2P		Without indicator		HRT1863Z2B
	3P				HRT1863Z3B

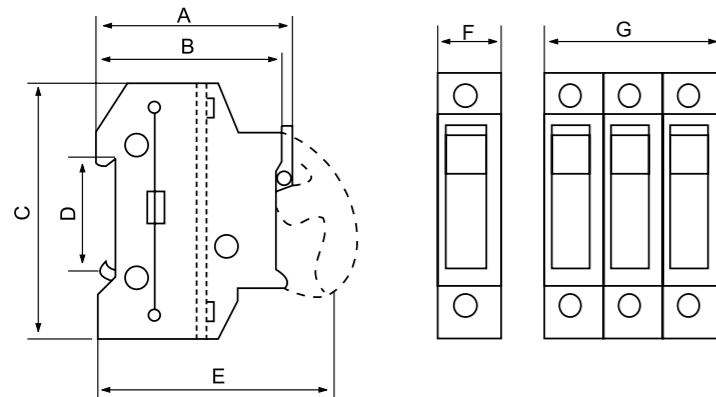
HRT18 Fuse with Cylindrical Contacts Fuse-link

Standard: IEC60269

Overall Dimensions



Type	Size	L	C	Hmax
HRT18-32	10x38	38±0.6	10.3±0.1	10.5
HRT18-63	14x51	51 ^{+0.6} _{-1.0}	14.3±0.1	13.8



Type	A	B	C	D	E	F	G
HRT18-32	63	60	79	35	80	18	54
HRT18-63	78	76	103	35	110	25	75



Support and Consulting Services



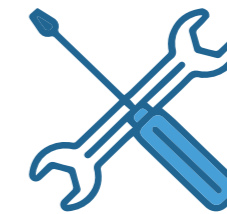
Training Services



Spare Parts Services



Repair Services



Contact Himel team

support@himel.com



Contact local distributor

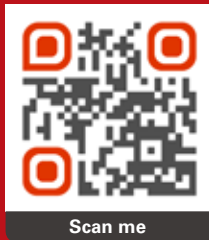
Company name:

Contact:

Tel:

Email:

Address:



Himel
www.himel.com

Sep 2020



©2020 HIMEL