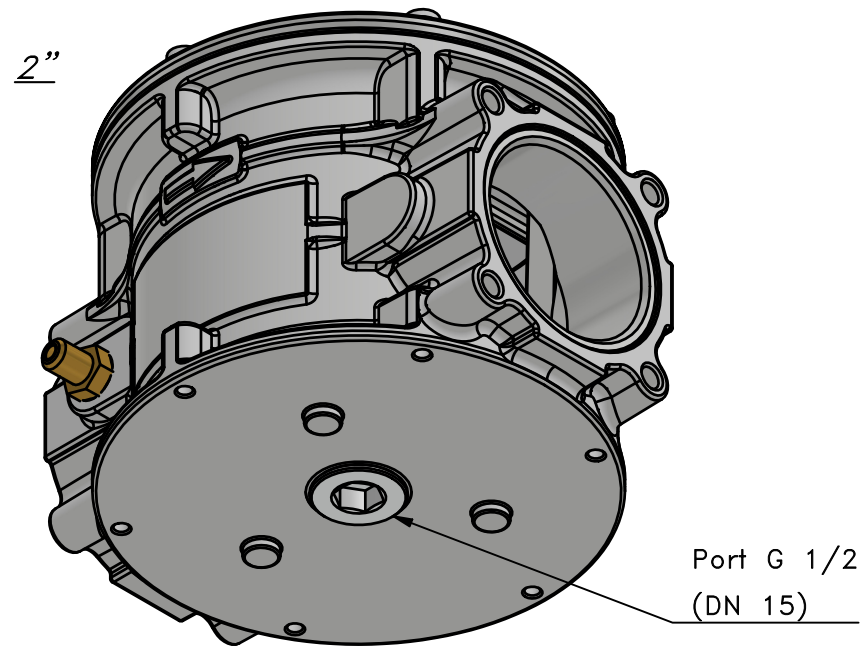
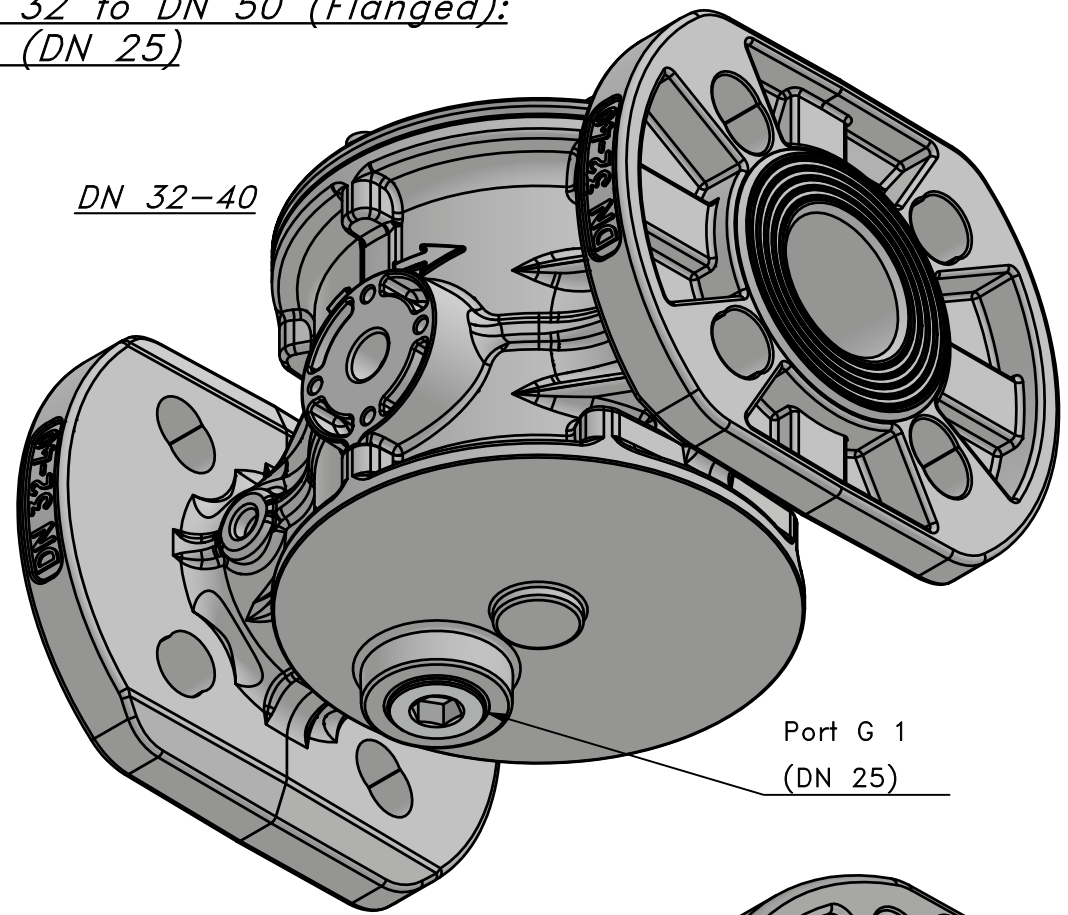


From DN 32 to DN 50 (Threaded):
Port G 1/2 (DN 15)



From DN 32 to DN 50 (Flanged):
Port G 1 (DN 25)



From DN 65 to DN 100: Port G 3/4 (DN 20)

