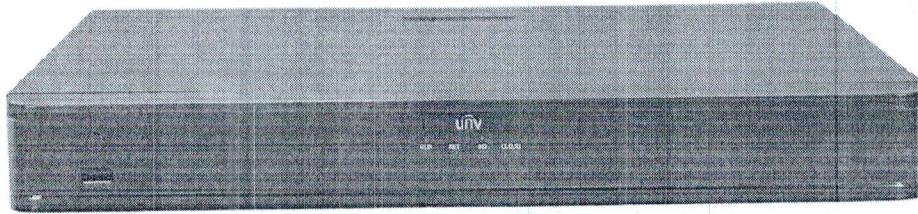


Network Video Recorder

NVR302-16S



Key Features

- Support Ultra265/H.265/H.264 video formats
- 16-channel input
- Third-party IP cameras supported with ONVIF conformance: Profile S, Profile G, Profile T
- HDMI and VGA simultaneous output
- Up to 8 Megapixels resolution recording
- Accurate retrieval, instant playback
- 2 SATA HDDs, up to 10TB for each HDD
- ANR technology to enhance the storage reliability when the network is disconnected
- Support cloud upgrade

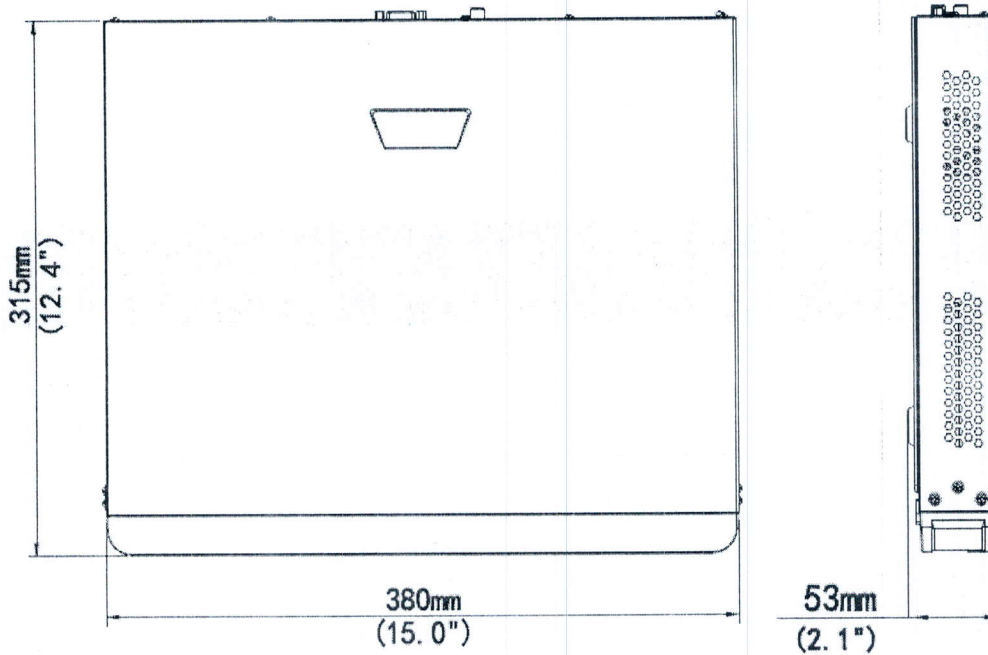


Specifications

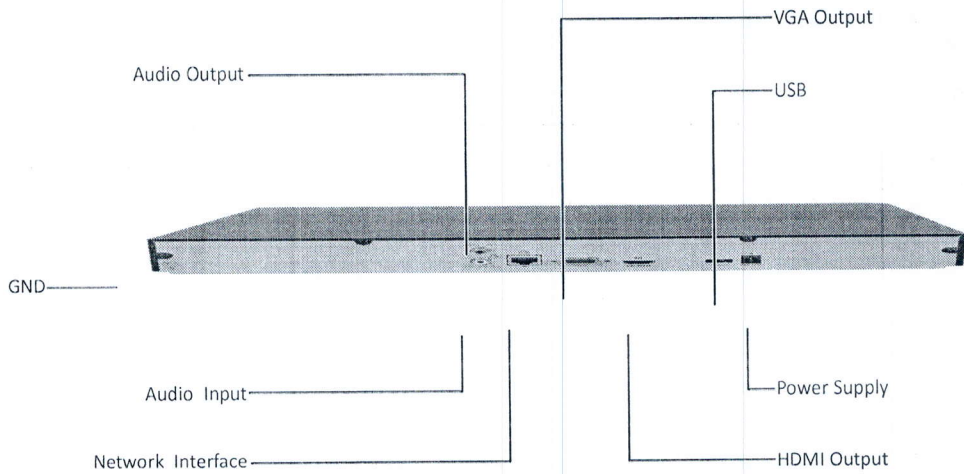
Model	NVR302-16S
Video/Audio Input	
IP Video Input	16-ch
Two-way Audio Input	1-ch, RCA
Network	
Incoming bandwidth	160Mbps
Outgoing bandwidth	96Mbps
Remote Users	128
Protocols	P2P, UPnP, NTP, DHCP, PPPoE
Video/Audio Output	
HDMI/VGA Output	HDMI: 4K (3840x2160)@30, 1920x1080p@60, 1920x1080p@50, 1600x1200@60, 1280x1024@60, 1280x720@60, 1024x768@60 VGA: 1920x1080p@60, 1920x1080p@50, 1280x1024@60, 1280x720@60, 1024x768@60
Audio Output	1-ch, RCA
Recording Resolution	8MP/6MP/5MP/4MP/3MP/1080p/960p/720p/D1/2CIF/CIF
Synchronous Playback	16-ch
Corridor Mode Screen	3/4/5/7/9/10/12/16
Decoding	
Decoding format	Ultra265/H.265/H.264
Live view/Playback	8MP/6MP/5MP/4MP/3MP/1080p/960p/720p/D1/2CIF/CIF
Capability	1 x 4K@30, 1 x 6MP@30, 1 x 5MP@30, 2 x 4MP@30, 4 x 1080p@30, 8 x 720p@30, 16 x D1
Hard Disk	
SATA	2 SATA interface
Capacity	up to 10TB for each disk
External Interface	
Network Interface	1 RJ-45 10M/100M/1000M self-adaptive Ethernet Interface
USB Interface	Rear panel: 1 x USB2.0, Front panel: 1 x USB2.0
General	
Power Supply	12V DC Power Consumption: ≤ 7 W (without HDD)
Working Environment	-10°C~+55°C (+14°F~+131°F), Humidity ≤ 90% RH (non-condensing)
Dimensions (W×D×H)	380mm × 315mm × 53mm (15.0" × 12.4" × 2.1")
Weight (without HDD)	≤ 1.6Kg (3.53lb)



Dimensions



Rear Panel



Modelul ofertat este actual la data livrării.
 Dispune de ultima versiune de software.
 Termenul de garanție constituie 24 luni.
 Corespunde standardelor EN55032

IEC 61000-3-2