

Intraoral X-rays

INTRAORAL IMAGING ACCORDING
TO YOUR NEEDS



FONA Intraoral X-rays

INTRAORAL IMAGING ACCORDING TO YOUR NEEDS

FONA intraoral X-ray devices are designed for ease of use, precision, reliability and flexible integration to every environment. They deliver high image quality even in the most demanding working conditions. Select the model that best suits your dental clinic and working methods. You will find no compromises on comfort and image quality



XDC

ADVANCED TECHNOLOGY

State of the art digital DC (high frequency) technology and comprehensive program presets ensure high sharpness and excellent quality of your images.

PROVEN RELIABILITY

Thousands of units installed worldwide provide intraoral imaging every day.



X70

EXCELLENT IMAGE QUALITY

Finest focal spot of 0.4 for excellent image quality.



XDG

XDC



PRECISE SETTING FOR ALL EXPOSURES

Obtain the most appropriate exposure setting by selecting among 2 patient sizes, 9 programs and 3 detectors. Optional DAP available.



EXCELLENT IMAGE QUALITY

Finest focal spot of 0.4, DC technology and a wide range of preset exposure settings ensure excellent image quality.



THE CONTRAST YOU PREFER

Get the image information you are looking for. Select the voltage 60 kV for perio application to reveal statement of ligaments or 70 kV for endo to see more hard tissue contours.



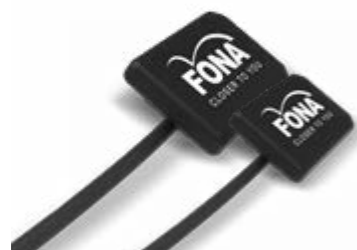
INTEGRATION FLEXIBILITY

Available as a mobile and wall-mounted version. Four different extension arm lengths and possibility to place the timer remotely, for even greater installation freedom and ease of use.



ERGONOMIC POSITIONING

Stable, easy to adjust arm ensures accurate and reliable positioning every time.



PERFECTLY COMPATIBLE

The combined use of XDC and StarX PRO is a perfectly compatible solution to guarantee excellent image quality.

XDC is the perfect choice for demanding professionals.

This state of the art DC device with its modern design will fit perfectly into your dental studio and has the flexibility to give you excellent image quality in all your clinical cases. Its technology is fulfilling the highest standards for low dose digital imaging and with three presets, for all receptor types, is universally usable for digital sensors, phosphor plates or films.

ADVANCED DC TECHNOLOGY

State of the art DC technology means excellent image quality and all the details you need for your diagnosis.

INTEGRATION FLEXIBILITY

Different configuration possibilities for comfortable and reliable positioning.

PRECISE SETTINGS FOR ALL EXPOSURES

Automatic exposure setting in just 3 steps for fast and high quality imaging.



XDG

XDG is the choice of dentists worldwide, and has already proven its ease of use, precision and reliability.

It delivers high image quality even in the most demanding working conditions, both with high resolution receptors and the finest grain films.

ERGONOMIC POSITIONING

Lightweight arm for smooth movement and stable positioning.

EXCELLENT IMAGE QUALITY

Finest focal spot of 0.4 for excellent image quality.

EXCELLENT IMAGE QUALITY

Obtain the most appropriate exposure setting by selecting among 2 patient sizes, 9 programs and 3 detectors. Optional DAP available.



AUTOMATIC EXPOSURE SETTING

Select program, patient size and receptor - mAs are automatically set ensuring accurate radiation dose.



ERGONOMIC POSITIONING

The new arm design assures smooth movements and reliable positioning.



REMOTE SOLUTION

The remotely mounted timer and hand switch allow you to control the exposure from outside the X-ray room.



AUTOMATIC EXPOSURE SETTING

Comprehensive and easy to use control panel for automatic exposure setting.

OPTIONAL 3X4 COLLIMATOR

Ready for a dose reduction in every moment.



X70

Designed for ease of use, stable image quality and a long lifespan, X70 is the ideal affordable solution for your dental studio.

Its automatic correction for mains voltage fluctuations, full protection against tube over-heating with accurate cool-down procedure, and improved safety features will make X70 your reliable imaging companion for years to come.



STABLE IMAGE QUALITY

A penetration power of 70 kV and a timer controlled by a microprocessor guarantee good image contrast and consistent film blackening.



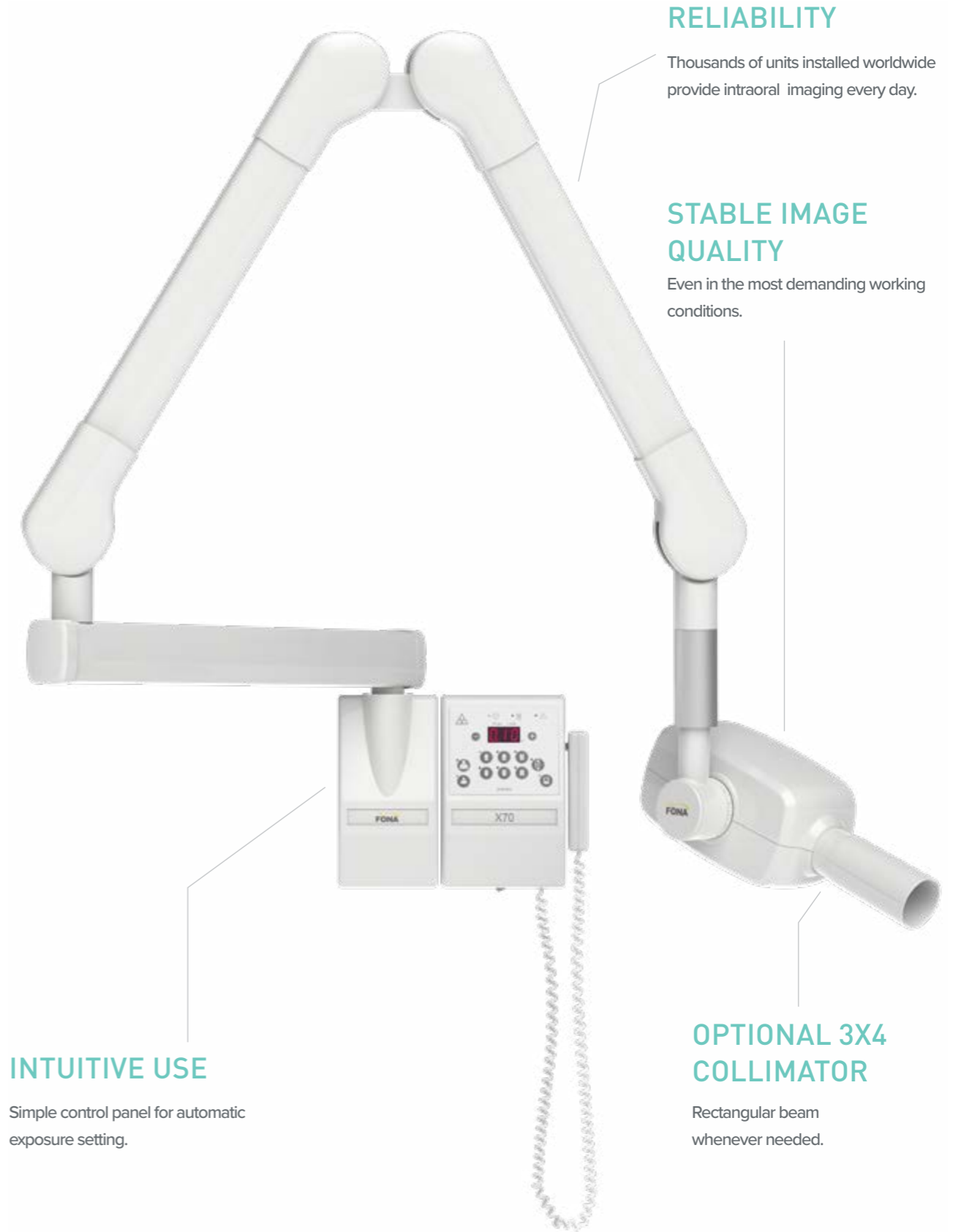
INTUITIVE USE

Automatic setting of exposure times from 60 ms to 3.2 s, according to the program and patient size selected.



PROVEN RELIABILITY

Protection against tube overheating gives the unit a long life, making your investment a secure one.



PROVEN RELIABILITY

Thousands of units installed worldwide provide intraoral imaging every day.

STABLE IMAGE QUALITY

Even in the most demanding working conditions.

INTUITIVE USE

Simple control panel for automatic exposure setting.

OPTIONAL 3X4 COLLIMATOR

Rectangular beam whenever needed.

Options



4 DIFFERENT EXTENSION ARMS

Choose among 4 different extension arm lengths to make your intraoral unit perfectly fit into your dental studio. You can select standard 30 cm, 60 cm or 80 cm and optional 100 cm arm.



RECTANGULAR COLLIMATOR

FONA's rectangular beam limiting device (2x3cm or 3x4cm) permits significant dose reduction.



MOBILE VERSION

The mobile version is the ideal choice for dental clinics looking for maximum operational flexibility.



COLLIMATOR LENGTH

20/21 cm standard or 30 cm optional collimator available.

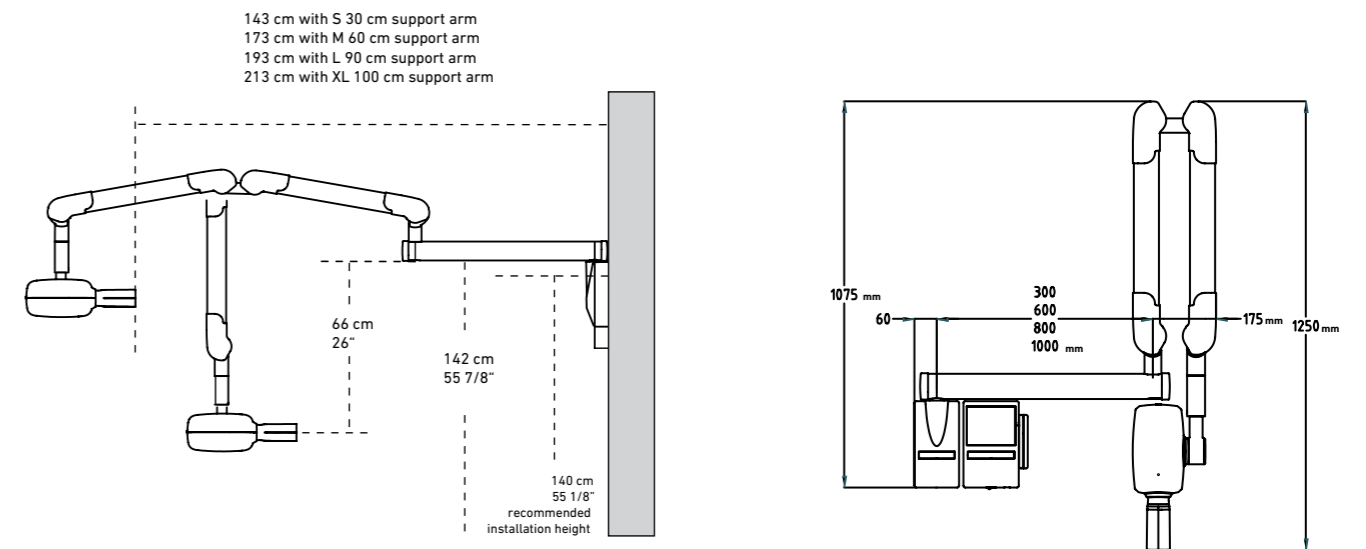


REMOTE HAND SWITCH

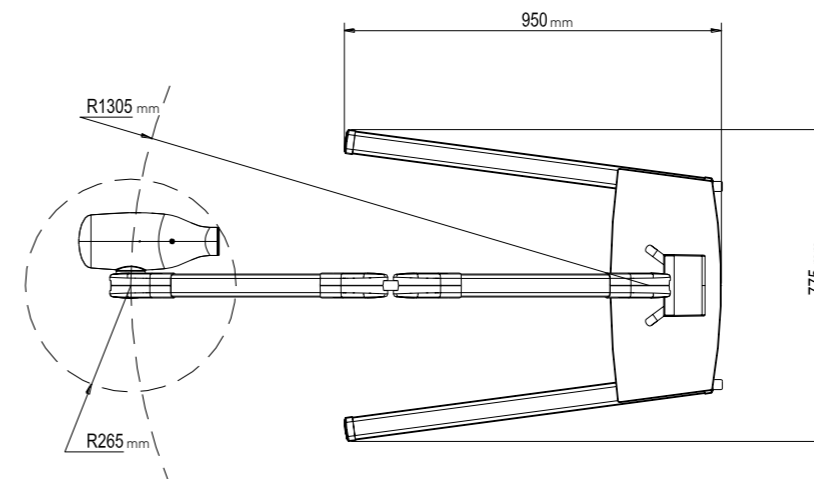
With a cable length of 10 m, the remote hand switch is easy to mount where needed.

Technical Specifications

	FONA X70	FONA XDG	FONA XDC
Generator	Alternating Current (AC)	Alternating Current (AC)	Direct Current (DC)
Focal spot	0.8 (IEC 336/1997)	0.4 (IEC 336/1997)	0.4 (IEC 336/1997)
Tube voltage, tube current	70 kVp, 7 mA	70 kVp, 3.5 mA	60/70 kV (selectable), 7 mA
Line voltage	120/230 V, 50/60 Hz	120/230 V, 50/60 Hz	100/230V, 50/60 Hz
Focus - skin distance	Standard 21 cm	Standard 21 cm	Standard 20 cm (optional 30)cm
Exposure time	0.06 – 3.2 s	0.21 - 11.2 mAs	0.01 – 3.2 s / 0,07 – 22,4 mAs
Patient Sizes	Adult, Child	Adult, Child	Adult, Child
Number of anatomical regions	7	7	9



Wall mounted version available in four different extension arm lengths: 30cm, 60cm, 80cm, 100cm



EVERY DENTAL SOLUTION YOU NEED.

Through more than 20 years of experience, and a deep understanding of the dental profession, we deliver complete, reliable and accessible Dental Imaging Solutions. Based in Assago (MI), Fona s.r.l., is a successful imaging manufacturing site with more than 10.000 panoramic units and 60.000 intraorals installed worldwide. Our international team is constantly on the move, meeting partners and dentists, so we can understand their needs and develop products that support and enhance their daily work.

ADVANCED DENTAL TECHNOLOGY

DIGITAL DENTISTRY

INTRAORAL IMAGING



EXTRAORAL IMAGING



INTRAORAL SENSORS



BASED IN ITALY, AVAILABLE WORLDWIDE



Copyright FONA s.r.l., All rights reserved, Subject to technical changes and errors in text, BRO001, v1, ENG, 202105

COUNT ON US



Clinical Cases



Online Training



Remote Support



HotLine support

HEADQUARTER

FONA s.r.l.
Via G.Galilei 11
20057 Assago (MI)
Italy

CONTACTS

info@fonaitaly.com
www.fonadental.com

