

YB-500U(LED)

Fail safe electric bolt is for fully frameless glass door

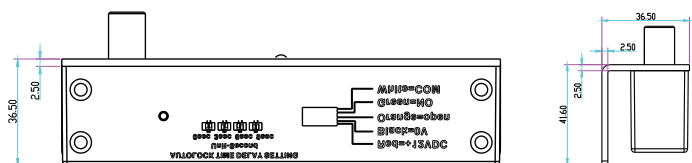
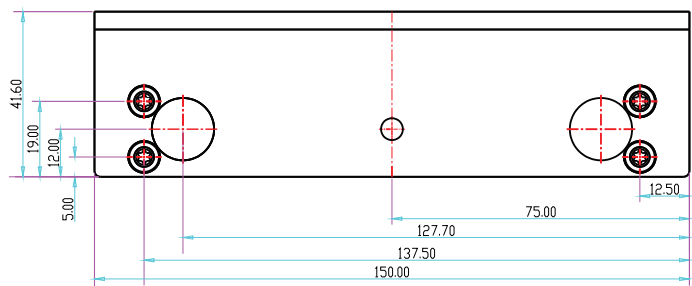
Product overview

YB-500U (LED) is an all-metal construction electric bolt specially designed for fully frameless glass doors. It can work at the temperature of 60 or 20 below zero based on the all-metal components. The bolt of the lock is made of 304 stainless steel solid bar with 1000kg holding force and anti-burglar design. With the multiple designs of durable solenoid valve, special photoelectric control system, ultra-low temperature and power consumption design, vandal resistant circuitry and auto-detective circuitry, YB-500U (LED) is suitable for fully frameless glass doors and other places needed strict security requirements.

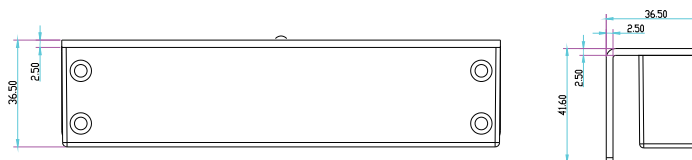
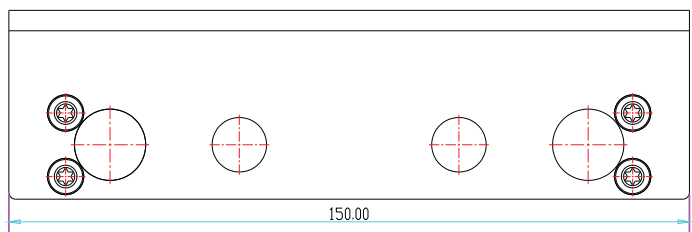


Dimensions

Unit mm



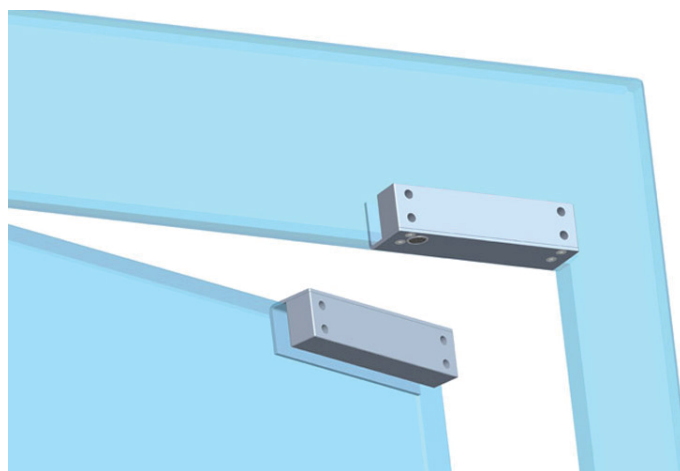
Lock body



Bracket part

Parameter Model	YB-500U(LED)
Parameter	Description
Fail safe	Lock when energized
Dimensions	150Lx40WX37H(mm)
Strike	150Lx40WX37H(mm)
Bolt	16mmDIA, 304 stainless steel 16mm throw
Voltage	12VDC
Start current	960mA
Standby current	180mA
Bolt strength	304 stainless steel with polishing finish, 1000kg holding force
Time delay	0/3/6/9sec
Signal output	Lock status output, NO/COM
L E D	Light on indicates locked; Light off indicates unlocked
Special Designed	Tested to 500000 operations
Induction distance	Within 8mm
Suitable for	12mm electric bolt for fully frameless glass door
Face place material	304 stainless steel panel with wiredrawing finish
Weight	1.36kg

Installation diagram

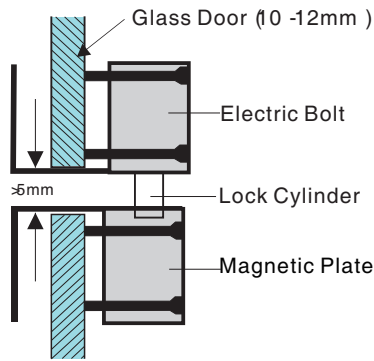


Shenzhen YLI Electric Lock Co.,Ltd.

Room 1605, Block A, Haisong Building, Tairan 9th Road, Futian District, Shenzhen, China
 TEL:86-755-83489801/02/03/04/05/06 FAX:86-755-83489807
 Website: www.yli.cn E-mail: yli@yli.cn

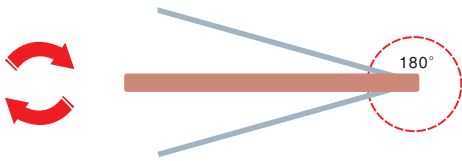
Frameless glass door

The thickness of glass door is 10-12mm



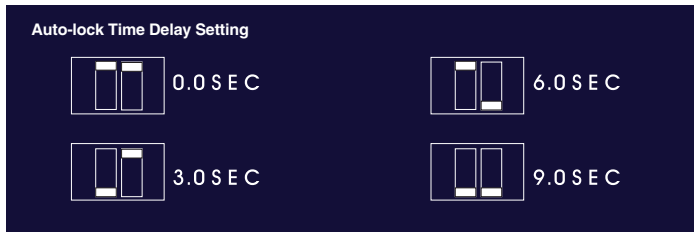
Suitable for double action doors

Electric bolts are specially designed for double action doors. They can also be installed on both inswing doors and outswing doors.



Auto-lock time delay function

This can be set up from 0 to 9 seconds by adjusting the jumpers.



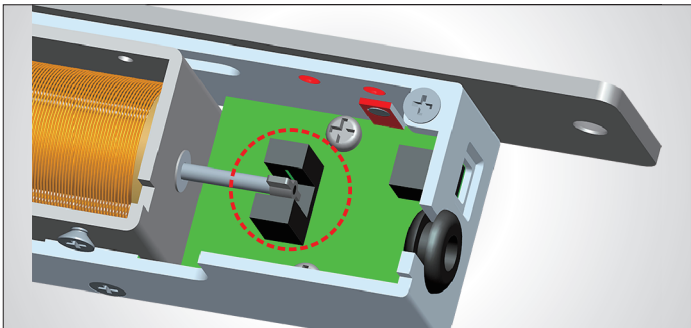
Optional door or lock sensor output

Standard option is a set of NO/COM lock signal output contact. (NO/COM of door signal output contact can be customized, YB-500U (LED)-DS)



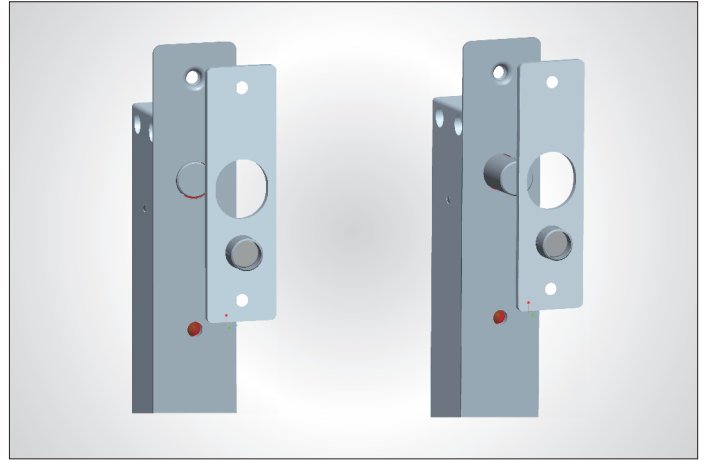
Photoelectric sensor control

Instead of using electric components, we use photoelectric components to make the bolt more stable and durable. at the same time, it can increase the lifetime of the electric bolt.



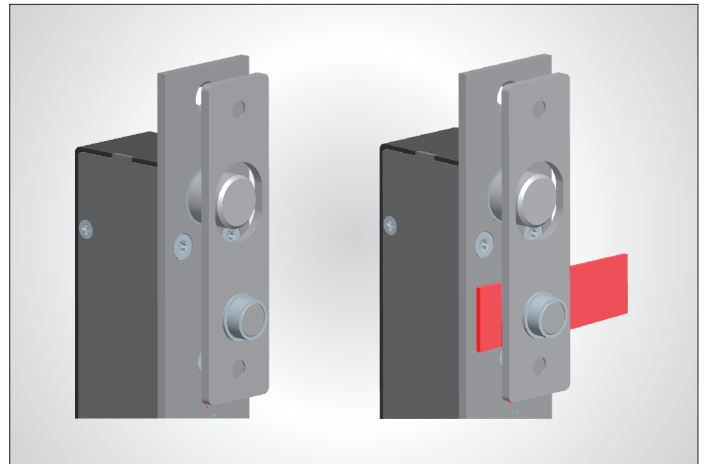
Auto-detective circuitry

This special auto-detective circuit of electric bolt keeps the bolt retracted while the door unlocked or improperly aligned until the door is properly closed.



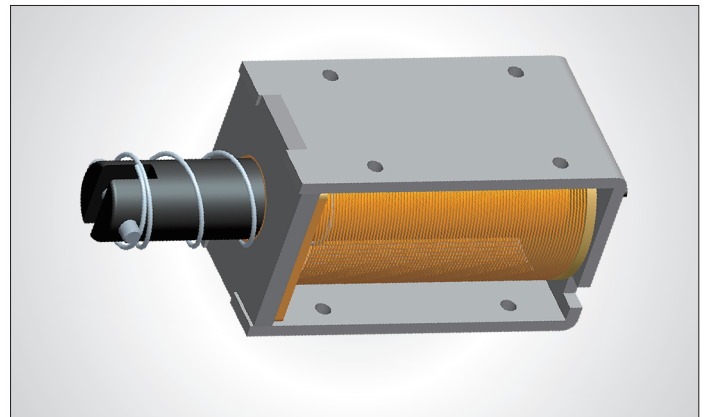
Vandal resistant circuitry

The reed sensor will automatically disconnect when the door is actually closed in order to enhance the security of the lock.



Ultra durable solenoid valve

Tested for over 500,000 times, the specially designed solenoid valve can be used for 5 to 10 years.



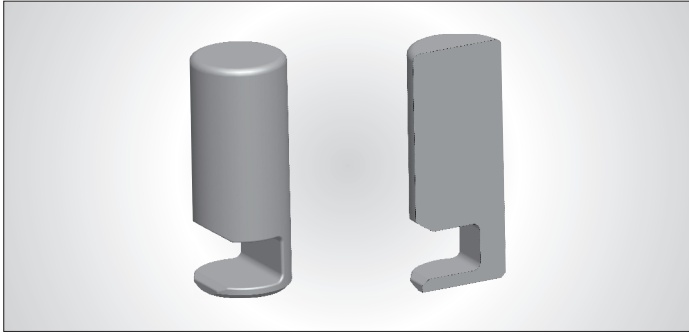
Shenzhen YLI Electric Lock Co.,Ltd.

Room 1605, Block A, Haisong Building, Tairan 9th Road, Futian District, Shenzhen, China
 TEL:86-755-83489801/02/03/04/05/06 FAX:86-755-83489807
 Website: www.yli.cn E-mail: yli@yli.cn



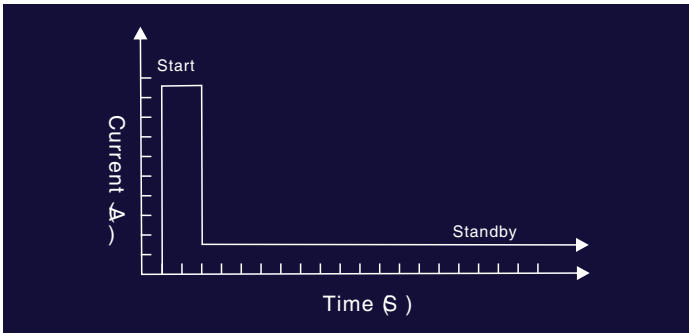
304 stainless steel solid bolt

With 304 stainless steel solid bolt, the electric bolt has 2000kg holding force. It is stronger and more durable under the harsh environment.



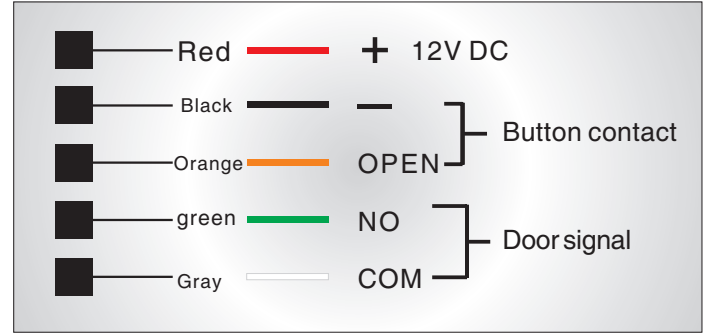
Energy saving design

When the bolt is extended to keep the door locked, it draws only 0.2A in a holding mode down from 1.2A while the bolt is retracted. This design extends the life of the electric bolt.



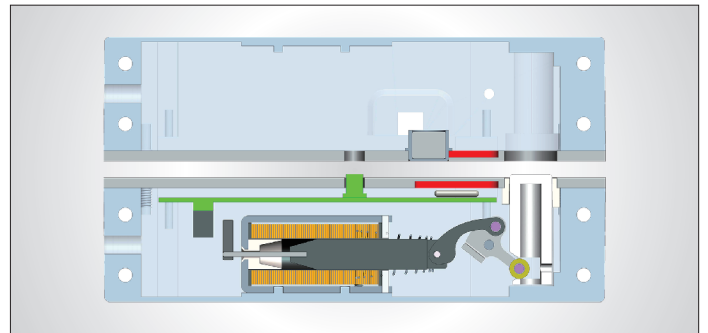
Connecting instructions

With the special auto-detective circuit, we advise you to connect our own open wires to open the door instead of shutting off the power directly.



All-metal lock body

The all-metal lock body and components make the lock stronger and more durable, which ensure the lock can work under the harsh environment. (Can order the lock work at the temperature of 60 or 40 below zero.)



Shenzhen YLI Electric Lock Co.,Ltd.

Room 1605, Block A, Haisong Building, Tairan 9th Road, Futian District, Shenzhen, China
TEL:86-755-83489801/02/03/04/05/06 FAX:86-755-83489807
Website: www.yli.cn E-mail: yli@yli.cn

