

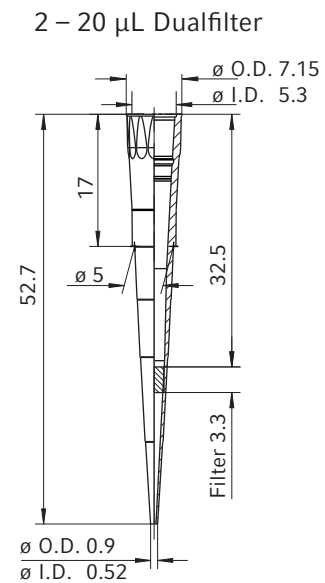
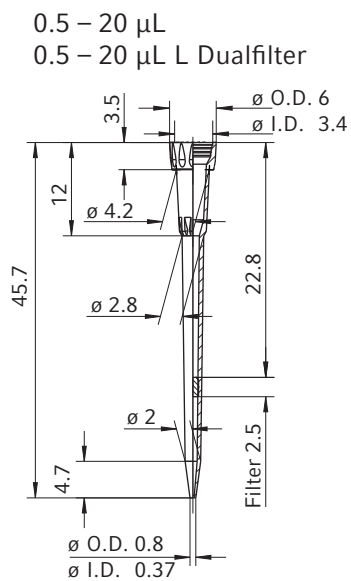
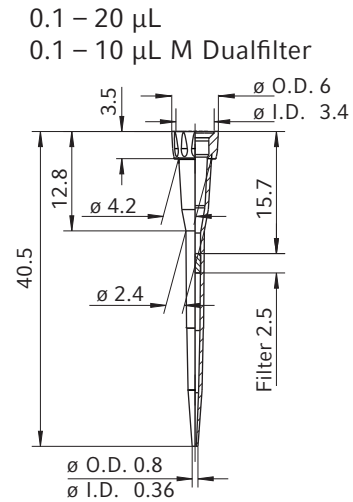
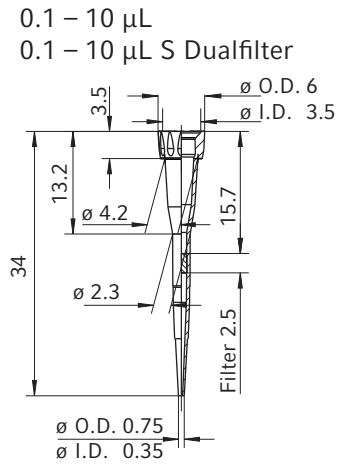
Technical Data Sheet

epT.I.P.S.®

English (EN)

Dimensions

epT.I.P.S. 10 µL – 20 µL



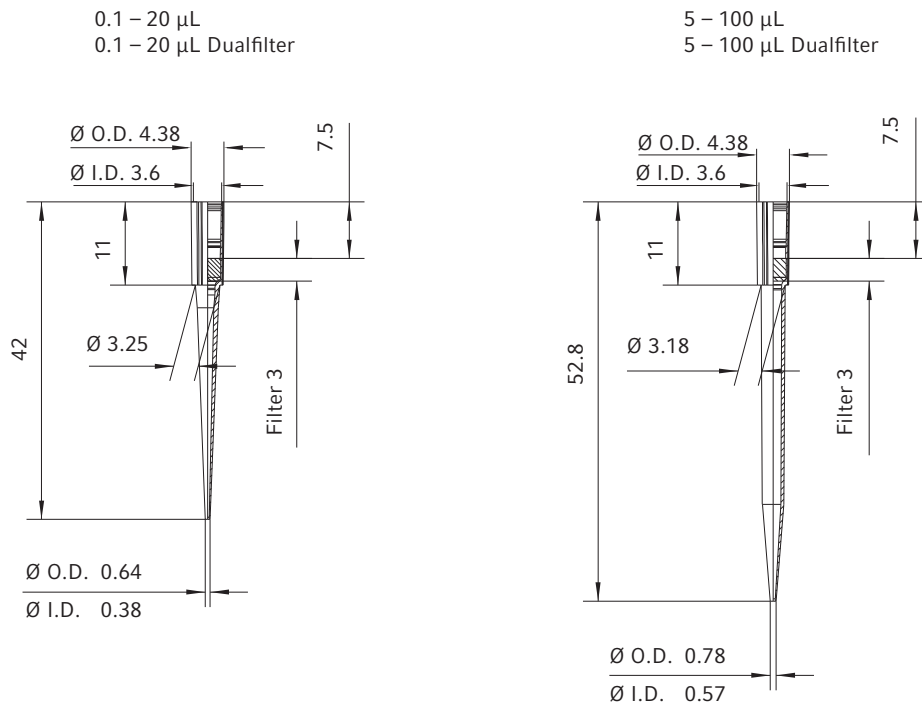
Dimensions in mm

Scale 1 : 1

O.D. – outer diameter

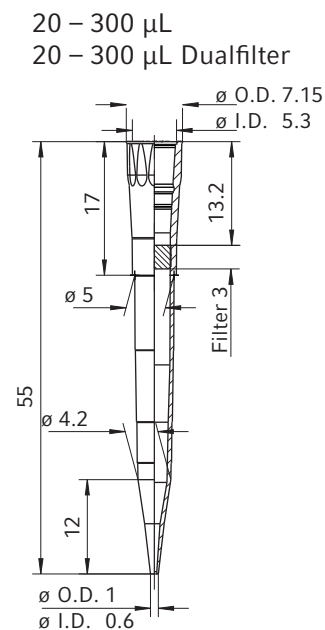
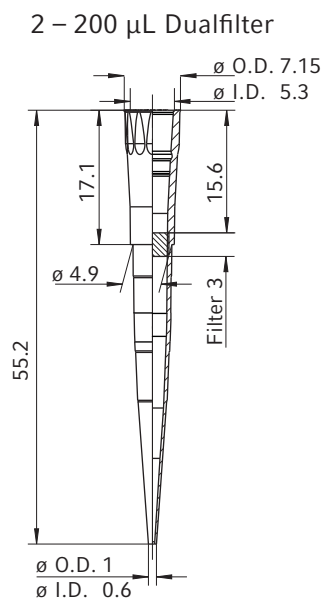
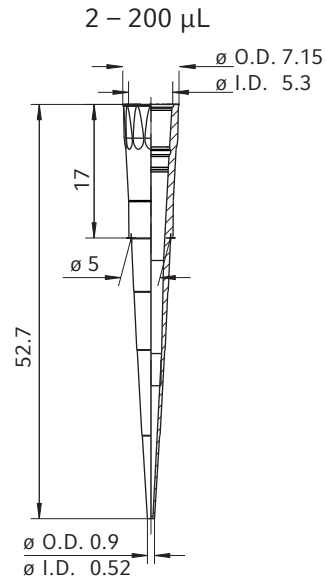
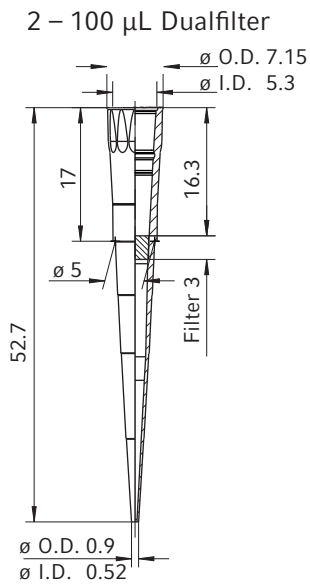
I.D. – inner diameter

epT.I.P.S. 384 20 µL – 100 µL



Dimensions in mm
Scale 1 : 1
O.D. – outer diameter
I.D. – inner diameter

epT.I.P.S. 100 µL – 300 µL



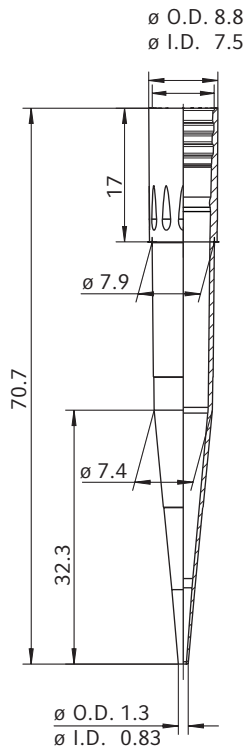
Dimensions in mm
Scale 1 : 1
O.D. – outer diameter
I.D. – inner diameter

Technical Data Sheet

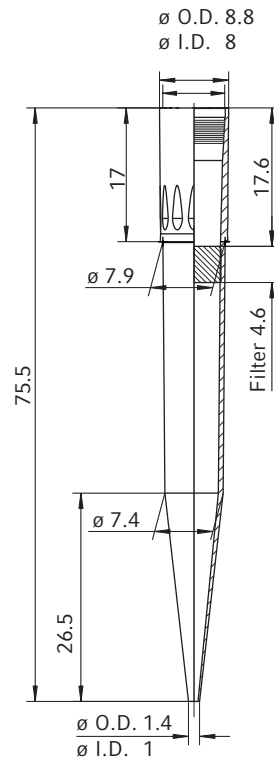
epT.I.P.S.®
English (EN)

epT.I.P.S. 1000 μ L – 1250 μ L

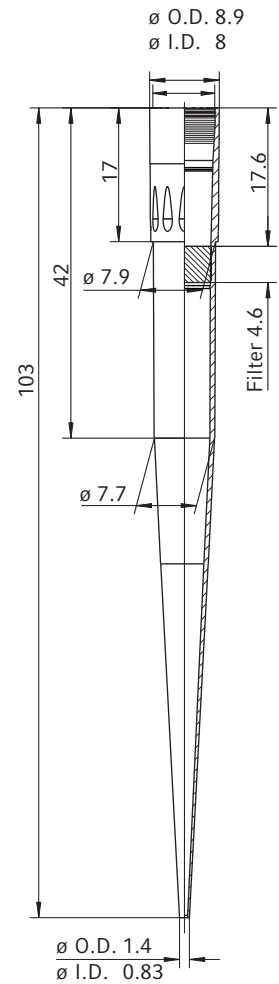
50 – 1000 μ L



50 – 1250 μ L
50 – 1000 μ L Dualfilter

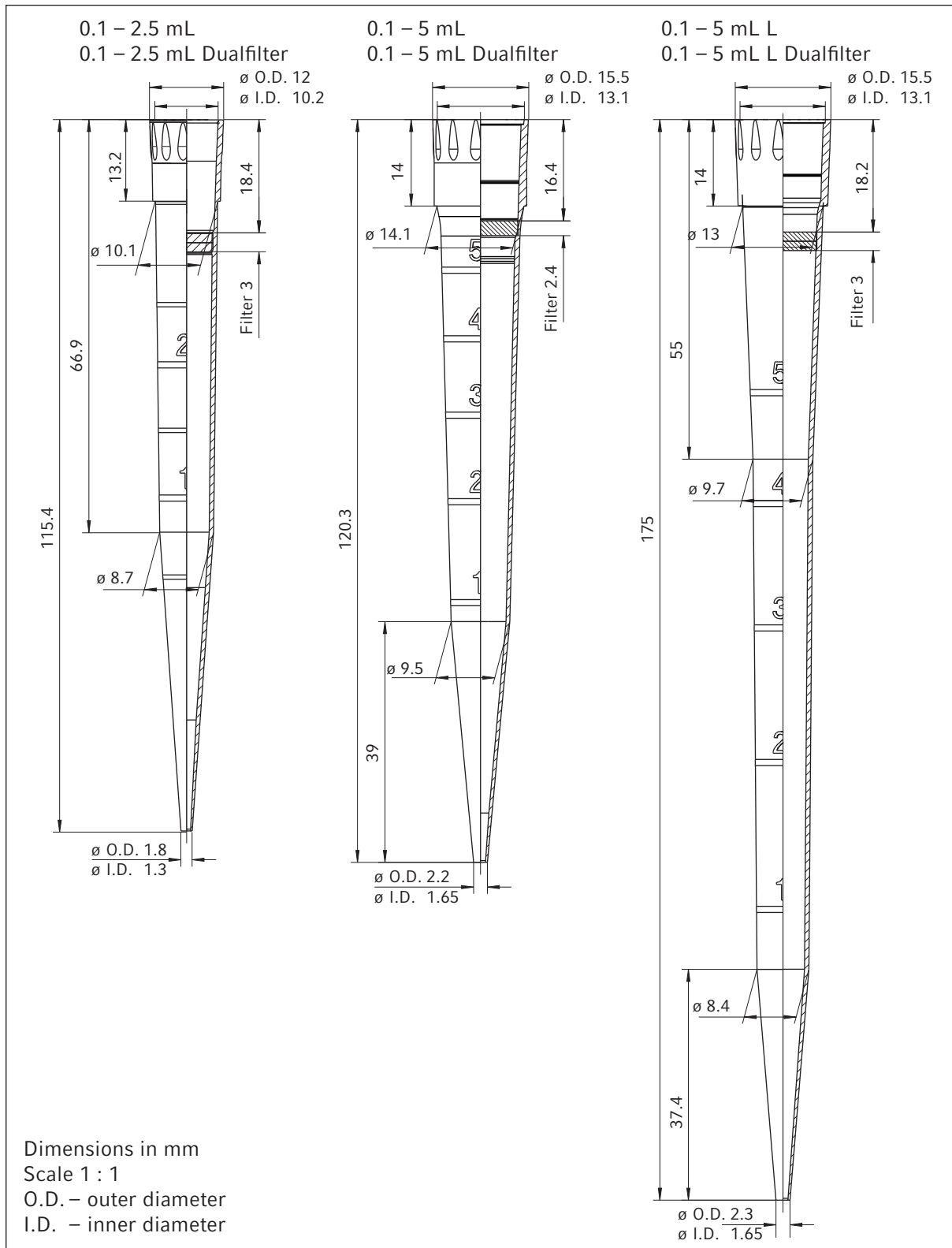


50 – 1250 μ L L
50 – 1250 μ L L Dualfilter



Dimensions in mm
 Scale 1 : 1
 O.D. – outer diameter
 I.D. – inner diameter

epT.I.P.S. 2.5 mL – 5 mL

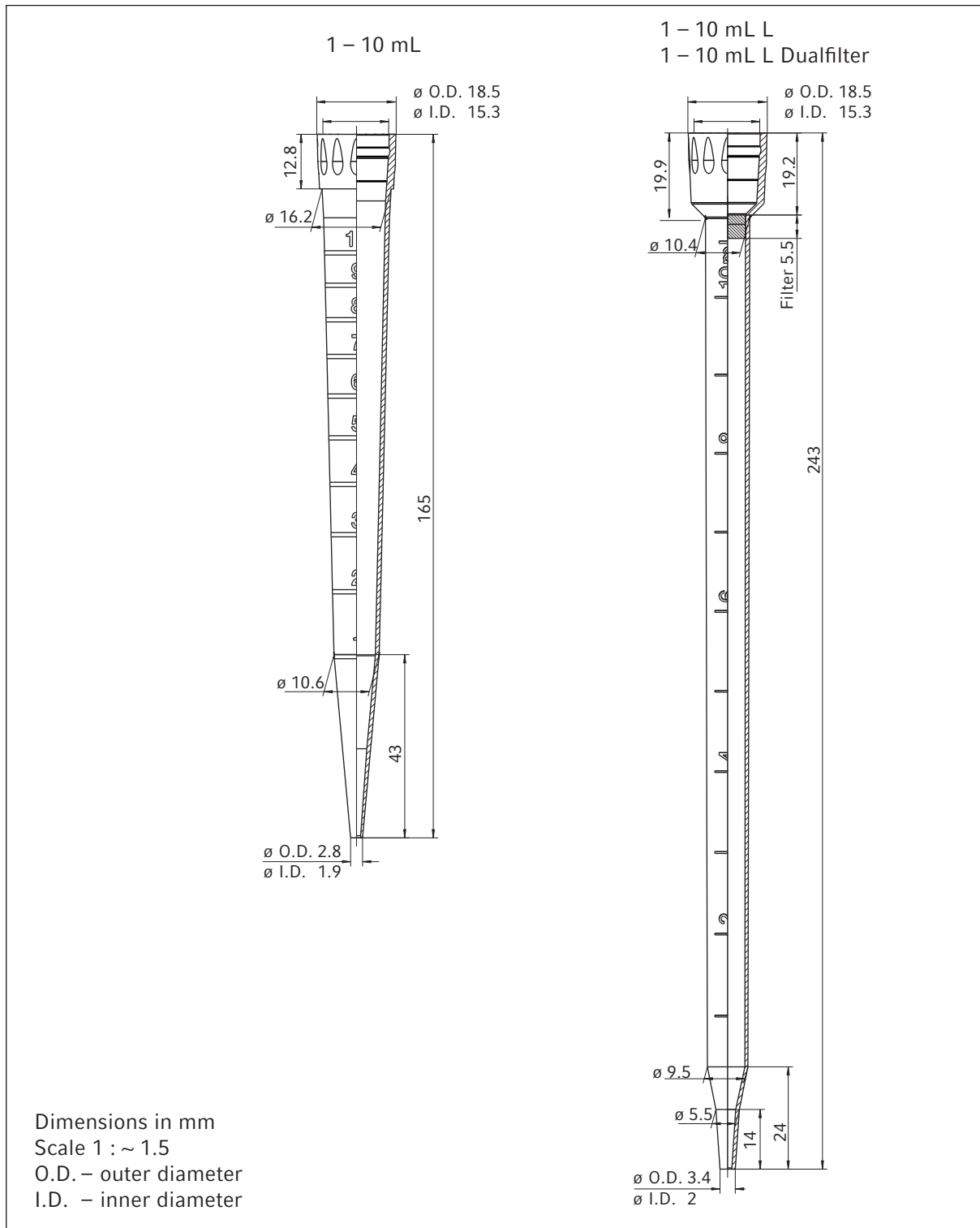


Technical Data Sheet

epT.I.P.S.®

English (EN)

epT.I.P.S. 10 mL



Your local distributor: www.eppendorf.com/contact

Eppendorf SE · Barkhausenweg 1 · 22339 Hamburg · Germany
eppendorf@eppendorf.com · www.eppendorf.com