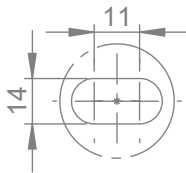
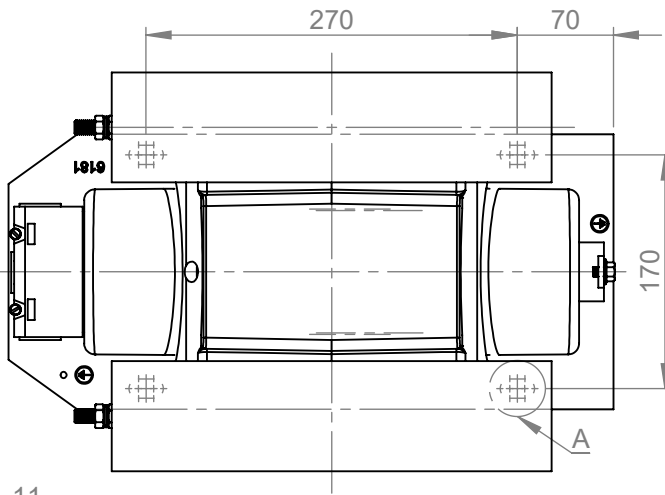
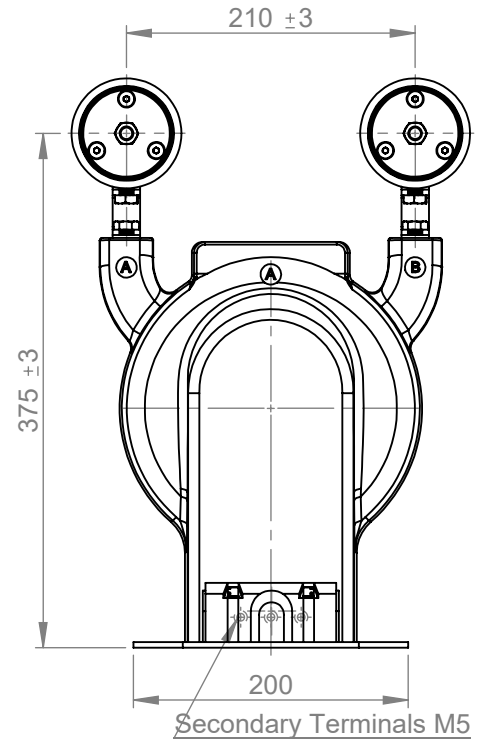
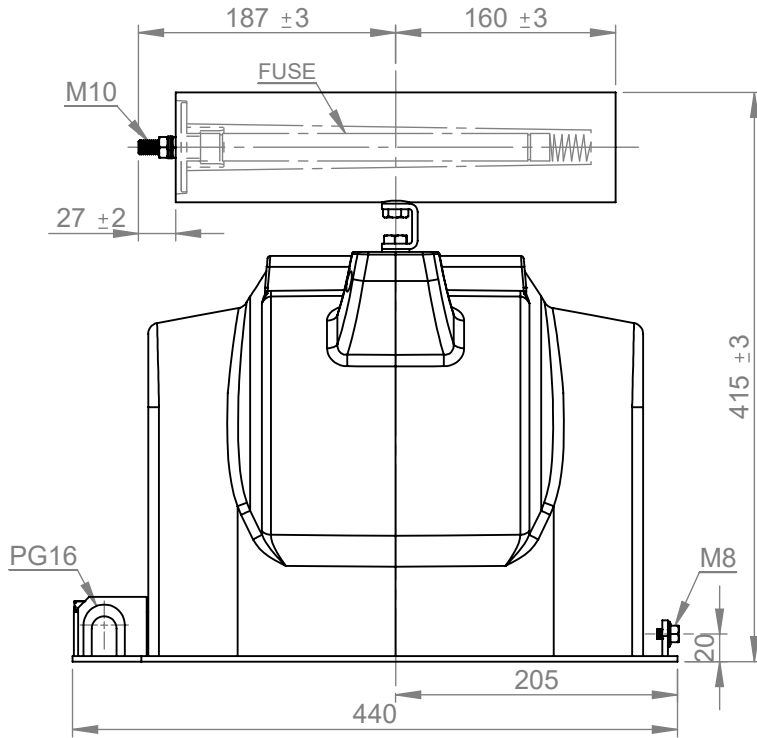
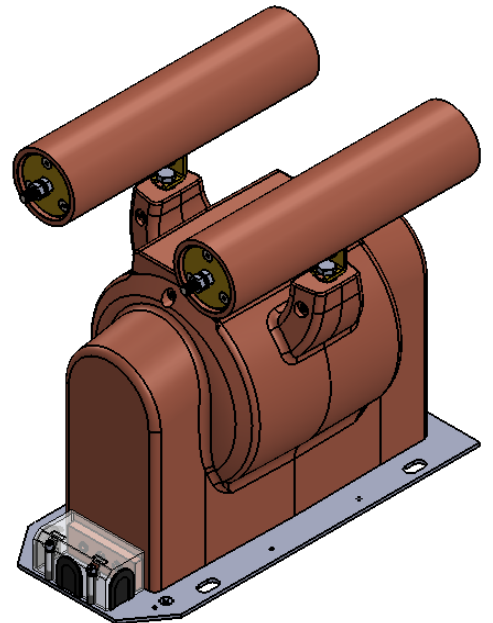


REV 1	
REV 2	
REV 3	




A-DETAIL
SCALE 3:1

INFORMATION



TIGHTENING TORQUE (Nm)	Min.	Max.
M5 (Secondary Terminal)	2.5	3.5
M8 (Ground Terminal)	15	20
M10 (Primary Terminal)	30	40

Note: All dimensions are in mm.
Small deviations in dimensions and construction possible.

UNIT	PARTNAME	ITEM	MTRL.DIMEN.	MTRL.COD.	DRAWING NO.	CAST RESIN MTRL.TYPE
REV.	DRW.BY	DATE	NAME	SIGNATURE		
TOLERANCE DIN 7168-g	CONTROL	DATE	NAME			
SCALE	PREPARED BY		CHECK BY			
	2VT 20-B-KFC (CAPSULED FUSE) BUILT-IN FUSE TYPE VOLTAGE TRANSFORMER				RAW.MTRL.CODE	
					SEMI FINISHED MTRL.	
					DRAWING	7294