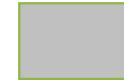


LED Street Light(7G)

25-320W

- Patent private mould, integrated die-casting AL.
- High efficiency, 147 lm/w
- Professional glare-free lens, 60°/90°/120°/T2M/T3M/T4M.
- 1-10V dimming/time control/light sensor/IOT control available.
- Flat honeycomb design, good heat dissipation.
- Gradienter design: easy for horizontal installation.
- Snap-on type installation, tool-free disassembly.
- Tempered glass panel, no glue fixed.
- IP66

Colour



Pictures

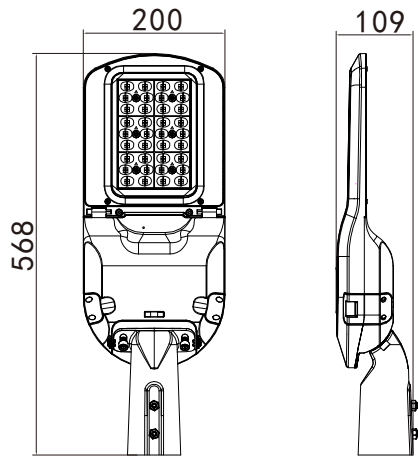
model A



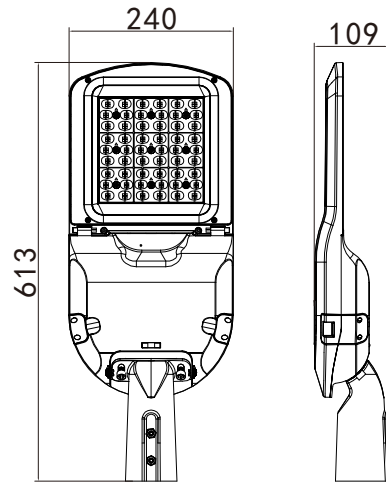
model B



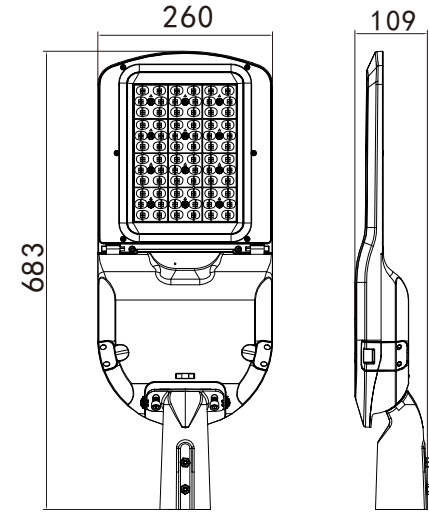
Dimension (model A/B)



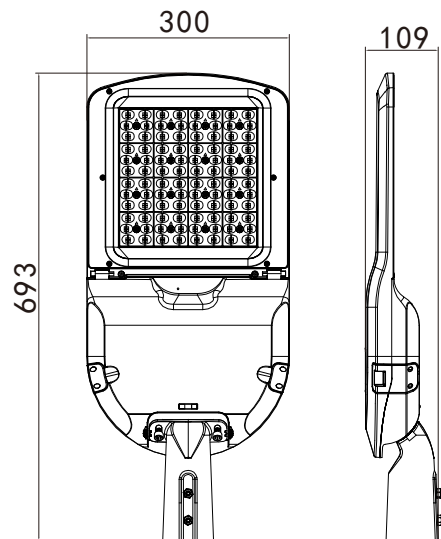
25-60w



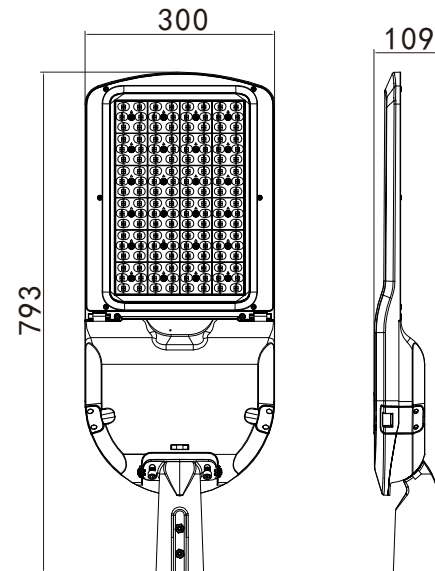
80-120w



150-180w



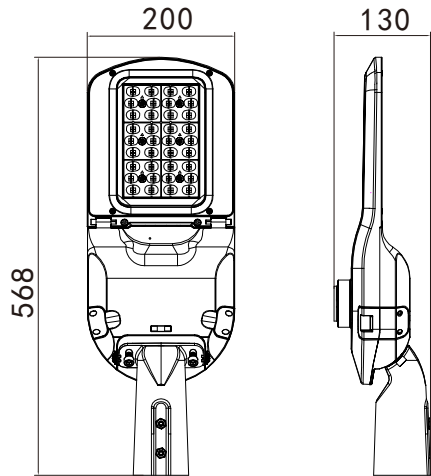
200-250w



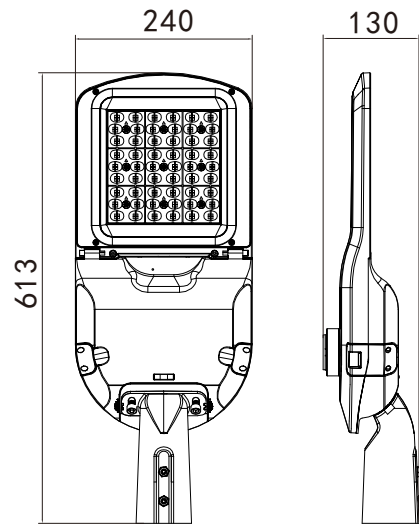
300-320w

Unit:mm

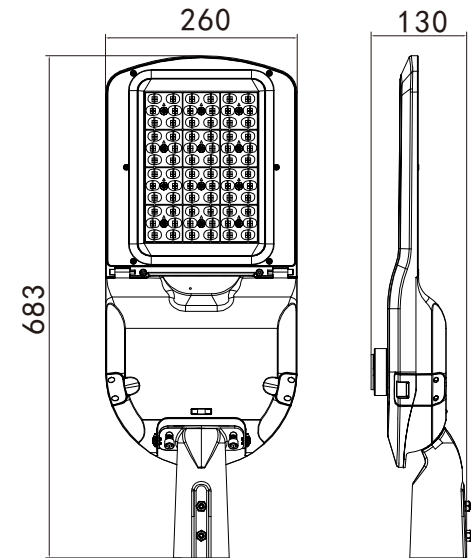
Dimension (photocell)



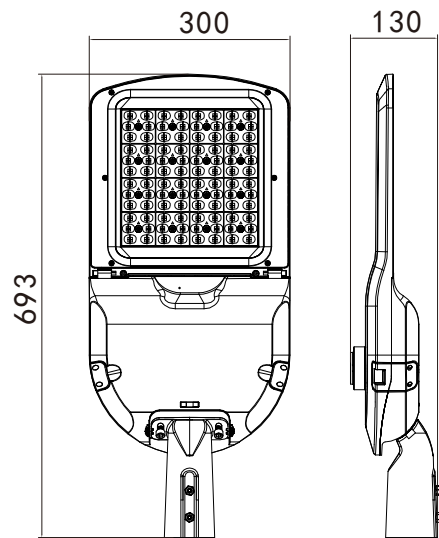
25-60w



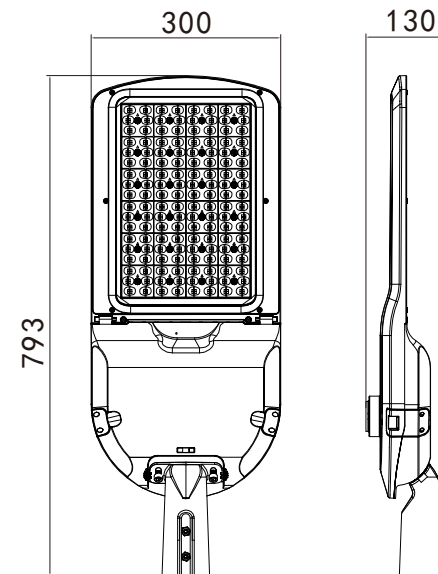
80-120w



150-180w



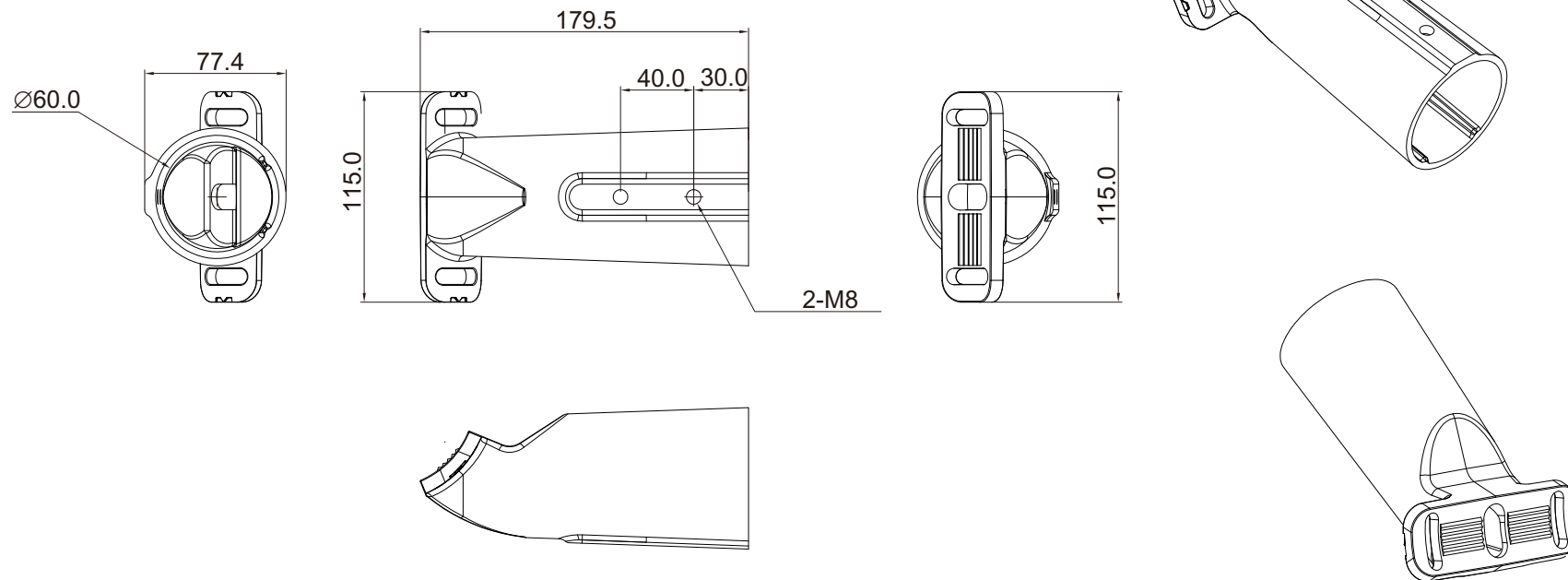
200-250w



300-320w

Unit:mm

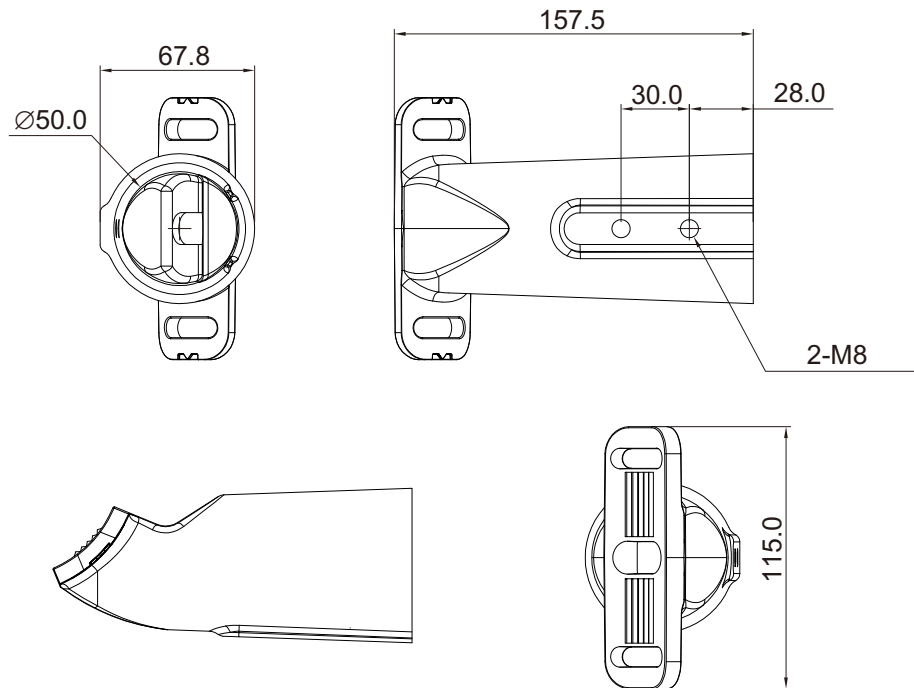
Install the lamp pole



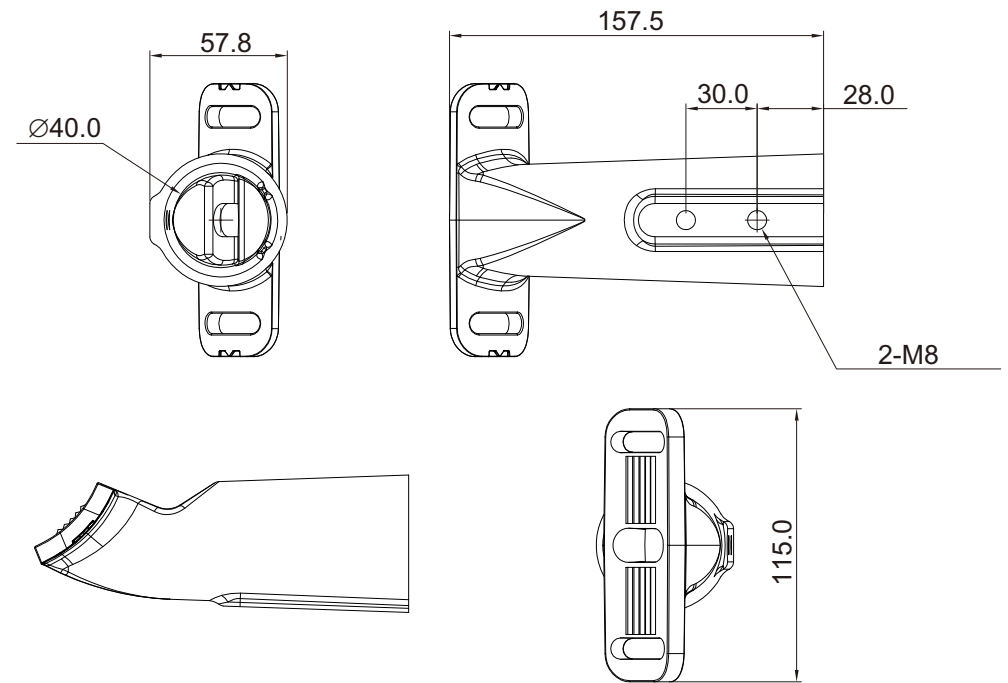
60mm mounting holes

Unit:mm

Install the lamp pole



50mm mounting holes



40mm mounting holes

Unit:mm

Application



Application

- Main road
- High way
- Flyover
- City street
- Overpass
- Sidewalk
- Square
- School
- Residential district
- Industrial area
- Park



Technical specification

A: Technical Parameter

Item No.	RL-S7-25W	RL-S7-50W	RL-S7-60W	RL-S7-80W	RL-S7-100W	RL-S7-120W
Lamp Size	568*200*109mm	568*200*109mm	568*200*109mm	613*240*109mm	613*240*109mm	613*240*109mm
Voltage	AC170V-264V 50/60HZ					
Power	25W	50W	60W	80W	100W	120W
LED Type	SMD3030/5050					
Color Temperature	Neutral white	4000K				
Lifetime (Median usefull life L _x)	(L ₉₀)	100 000 h				
Average installation life (hours)	100 000 h					
Beam Angle	60°/90°/120°/T2M/T3M/T4M					
Color Rendering Index(CRI)	Ra>70					
Power Supply Efficiency	>88%					
LED Luminous Efficiency	147 lm/w					
Power Factor(PF)	>0.95					
Total Harmonic Distortion(THD)	≤15%					
IP Rank	IP 66					
Net Weight	3.5KG	3.5KG	3.5KG	4.42KG	4.42KG	4.42KG
Certificate	CE,CB,RoHS					

Item No.	RL-S7-150W	RL-S7-180W	RL-S7-200W	RL-S7-250W	RL-S7-300W
Lamp Size	683*260*109mm	683*260*109mm	693*300*109mm	693*300*109mm	793*300*109mm
Voltage	AC170V-264V 50/60HZ				
Power	150W	180W	200W	250W	300W
LED Type	SMD3030/5050				
Color Temperature	Neutral white	4000K			
Lifetime (Median usefull life L _x)	(L ₉₀)	100 000 h			
Average installation life (hours)	100 000 h				
Beam Angle	60°/90°/120°/T2M/T3M/T4M				
Color Rendering Index(CRI)	Ra>70				
Power Supply Efficiency	>88%				
LED Luminous Efficiency	147 lm/w				
Power Factor(PF)	>0.95				
Total Harmonic Distortion(THD)	≤15%				
IP Rank	IP 66				
Net Weight					
Certificate	CE,CB,RoHS				

Technical Specification

B: Mechanical Specifications

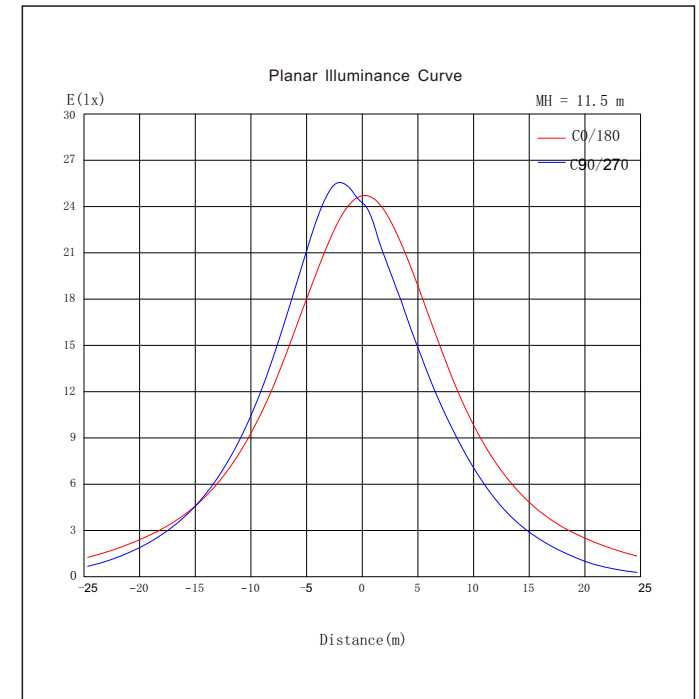
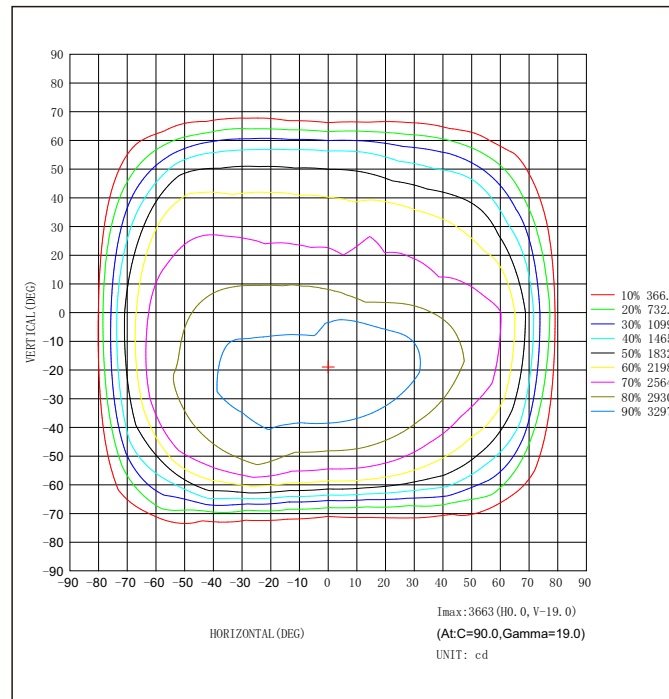
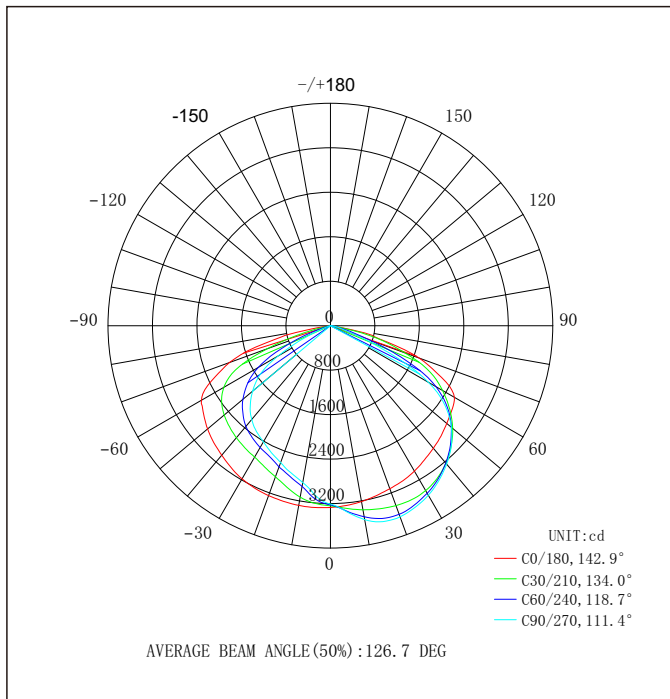
LED driver	Mean Well model: XLG-100-H-A
Housing processing	Die-casting
Material	ADC12

C: Environmental Temperature

Temperature Operating Range	-40°C~50°C
Humidity Operating Range	20% ~ 95%
Storage Temperature Range	-40°C~75°C
Storage Humidity Range	10% ~ 80%

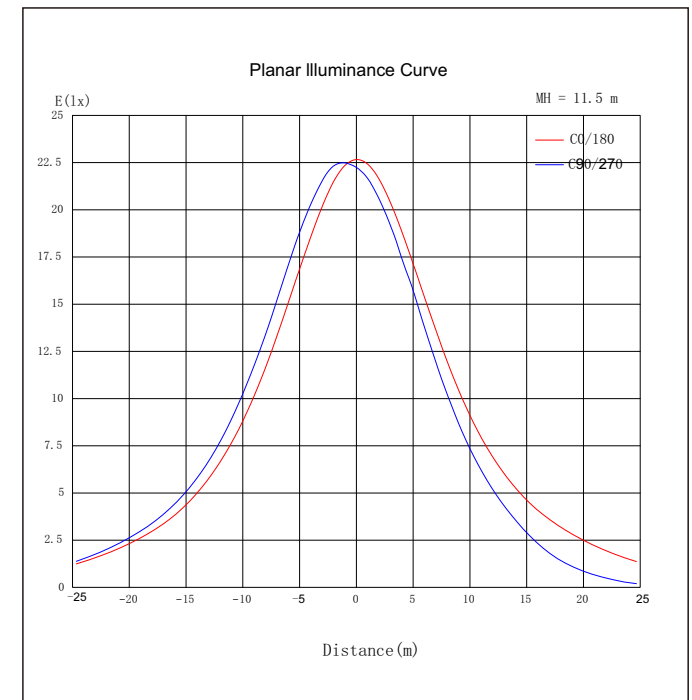
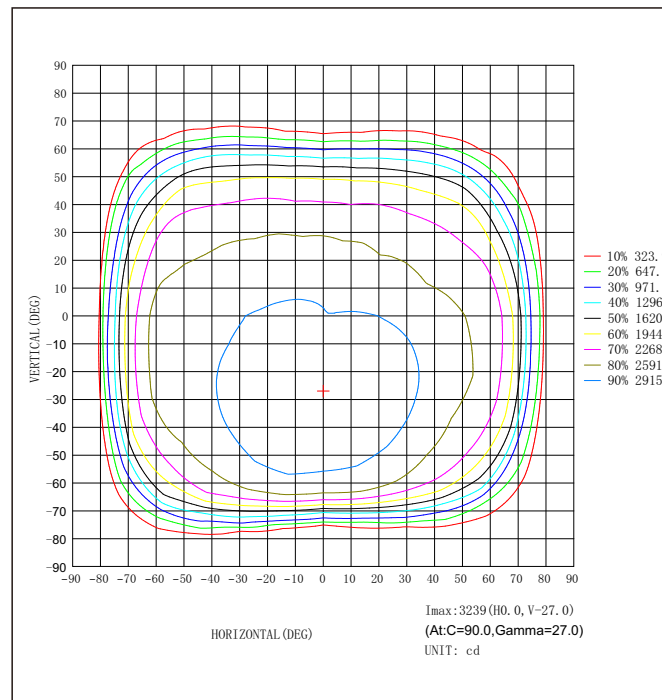
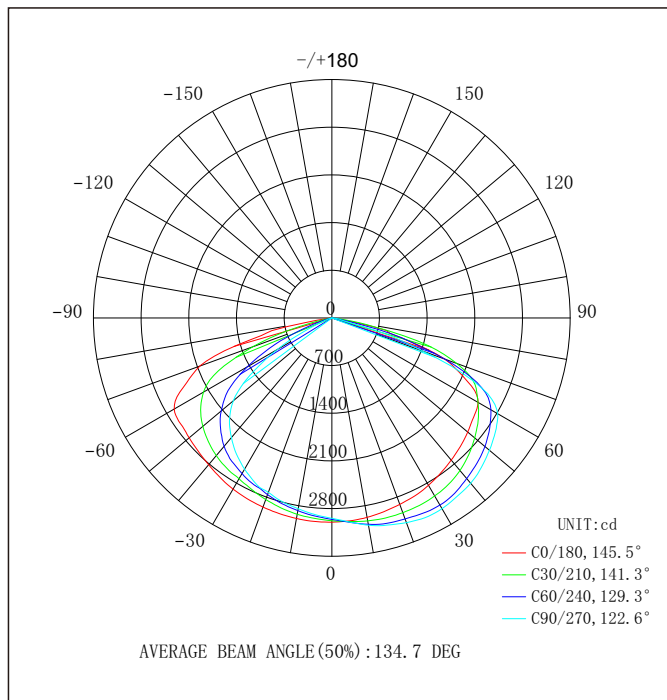
LUMINOUS INTENSITY DISTRIBUTION

T2M Unit light distribution curve



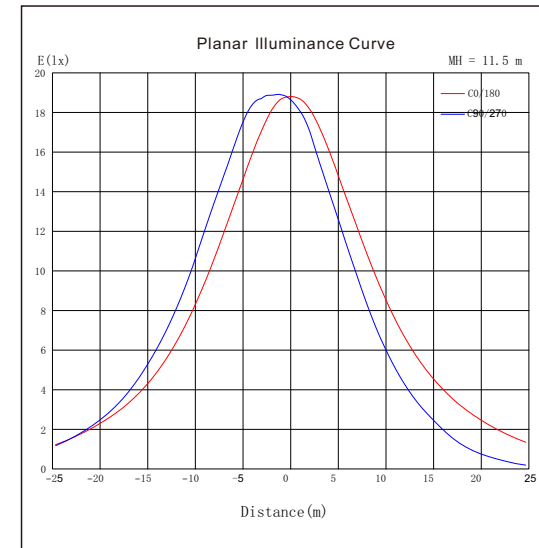
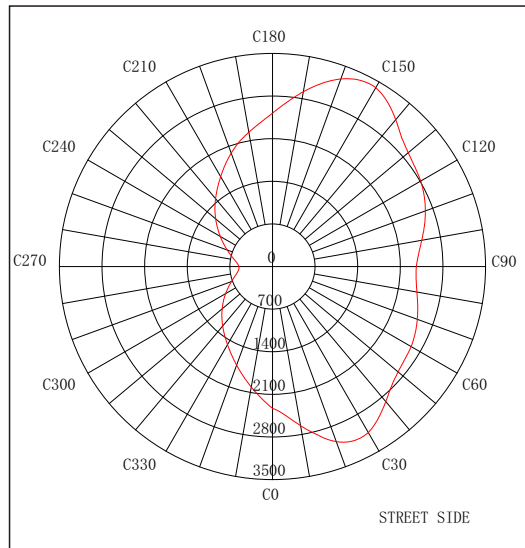
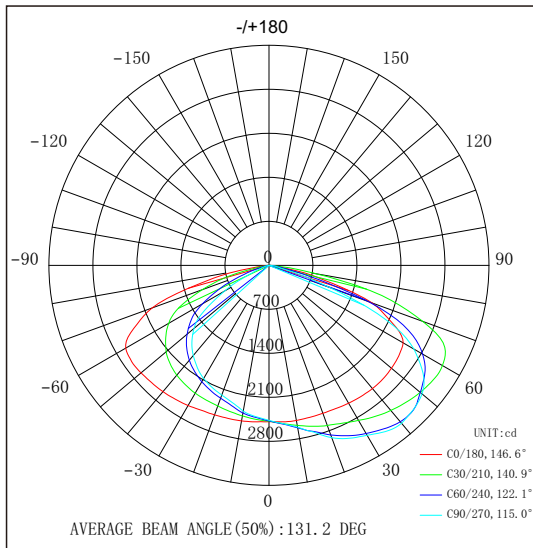
LUMINOUS INTENSITY DISTRIBUTION

T3M Unit light distribution curve



LUMINOUS INTENSITY DISTRIBUTION

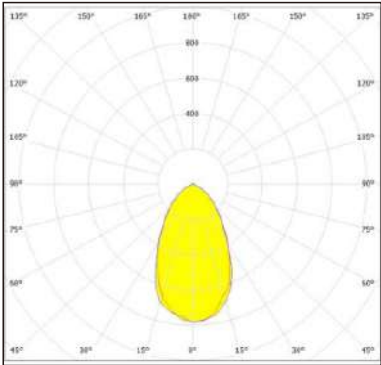
T4M Unit light distribution curve



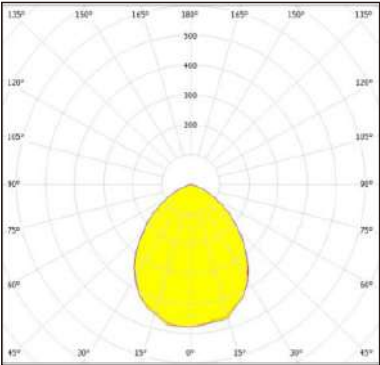
H(C) Range: 0-360 DEG
 H(C) Interval: 15.0 DEG
 Test Speed: HIGH
 Temperature: 25.3 DEG
 Operators: wang
 Test Date: 2021-04-07

V(γ) Range: 0-90 DEG
 V(γ) interval: 1.0 DEG
 Test System: EVERFINE GO-2000A_V1
 Humidity: 65.0%
 Test Distance: 12.000m [k=1.0000]
 Remarks:

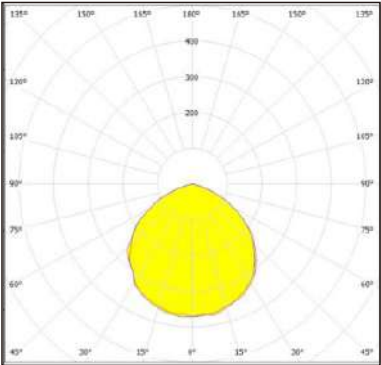
LUMINOUS INTENSITY DISTRIBUTION



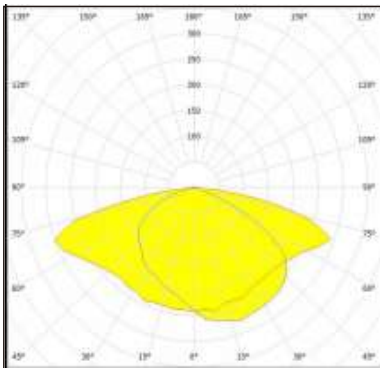
60°



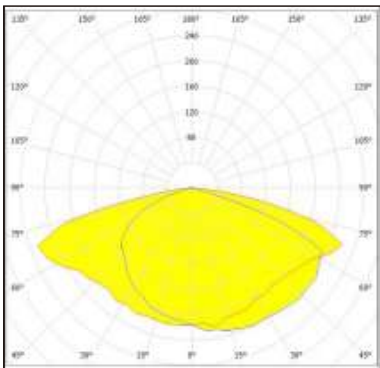
90°



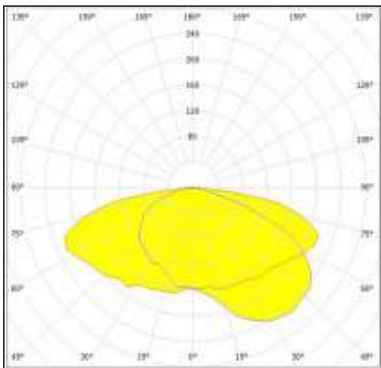
120°



T2M



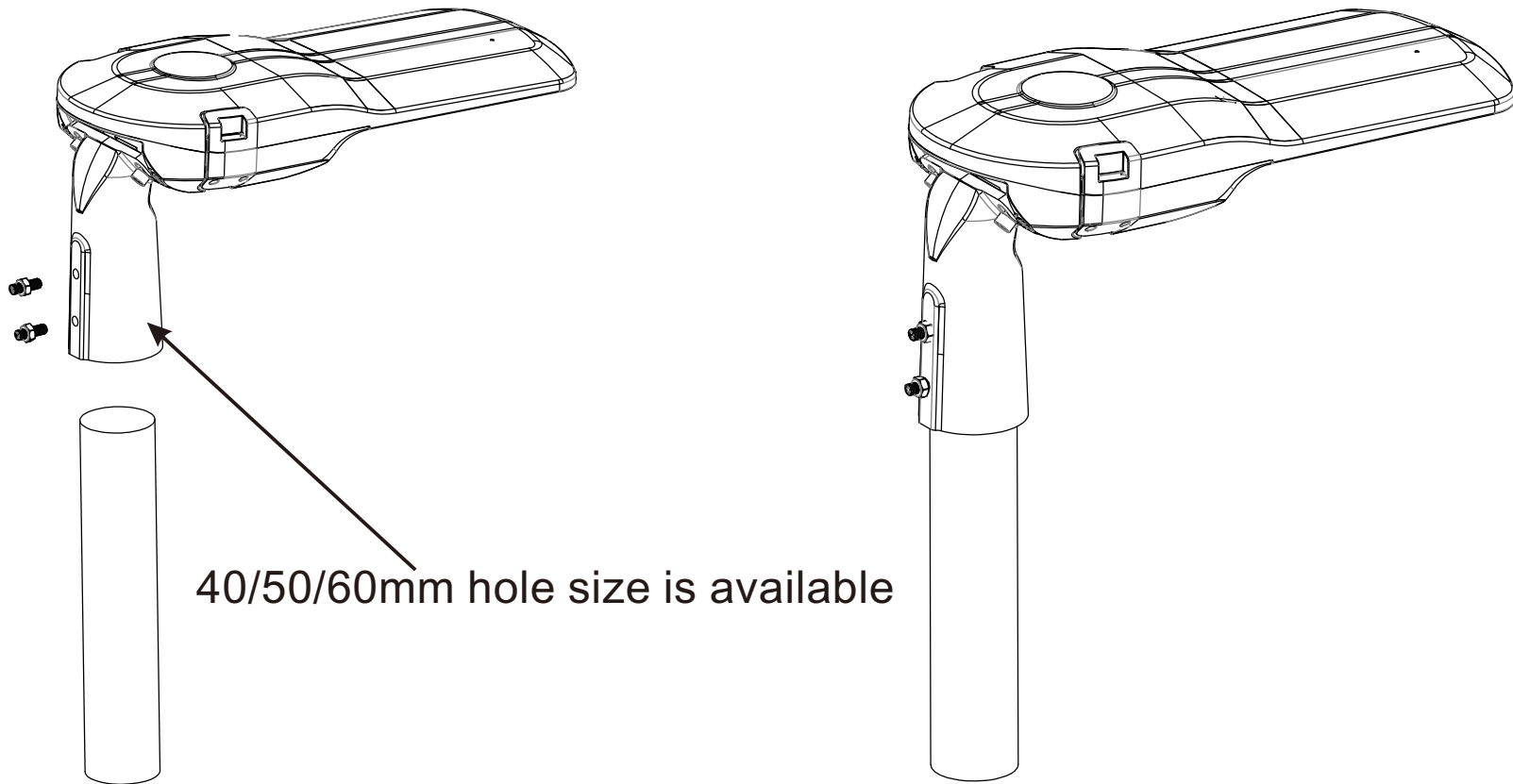
T3M



T4M

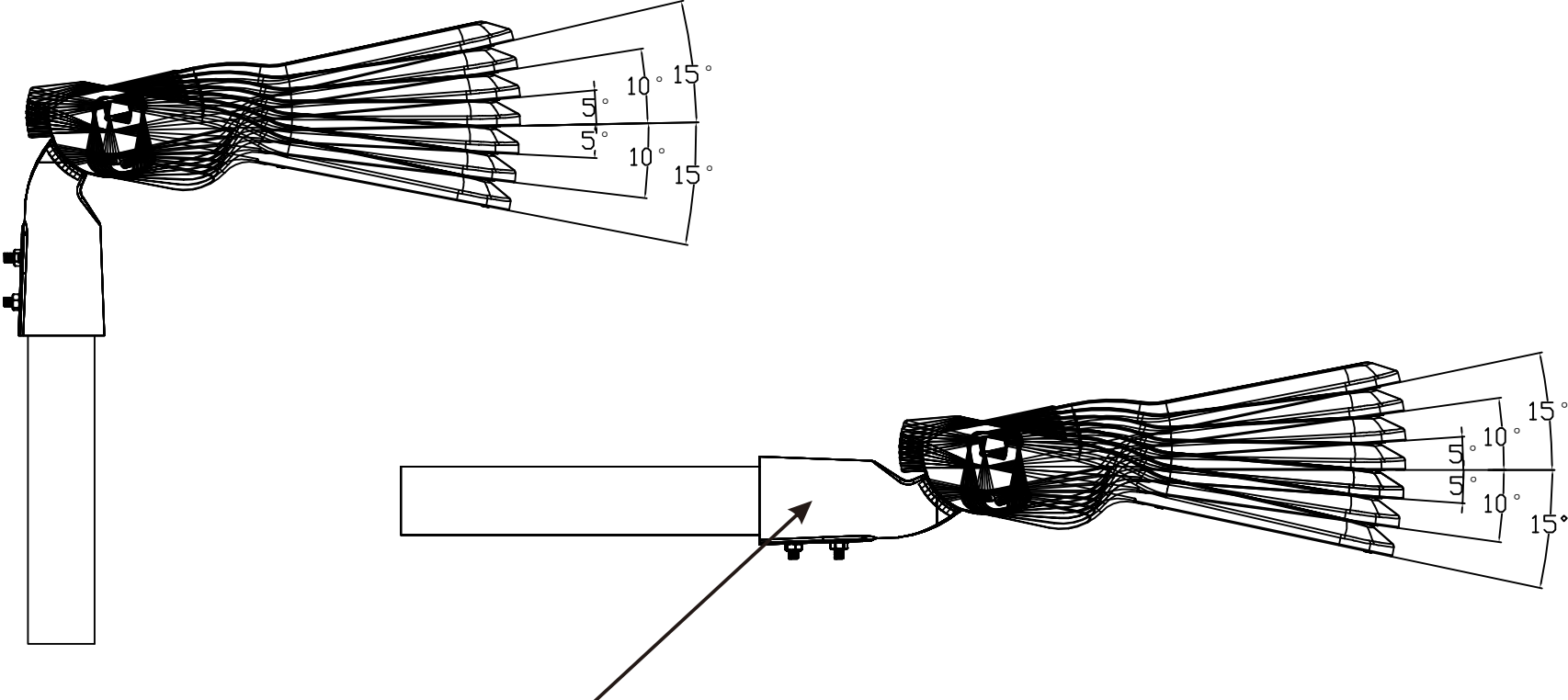
Product Installation Drawing

Installation hole size:60mm



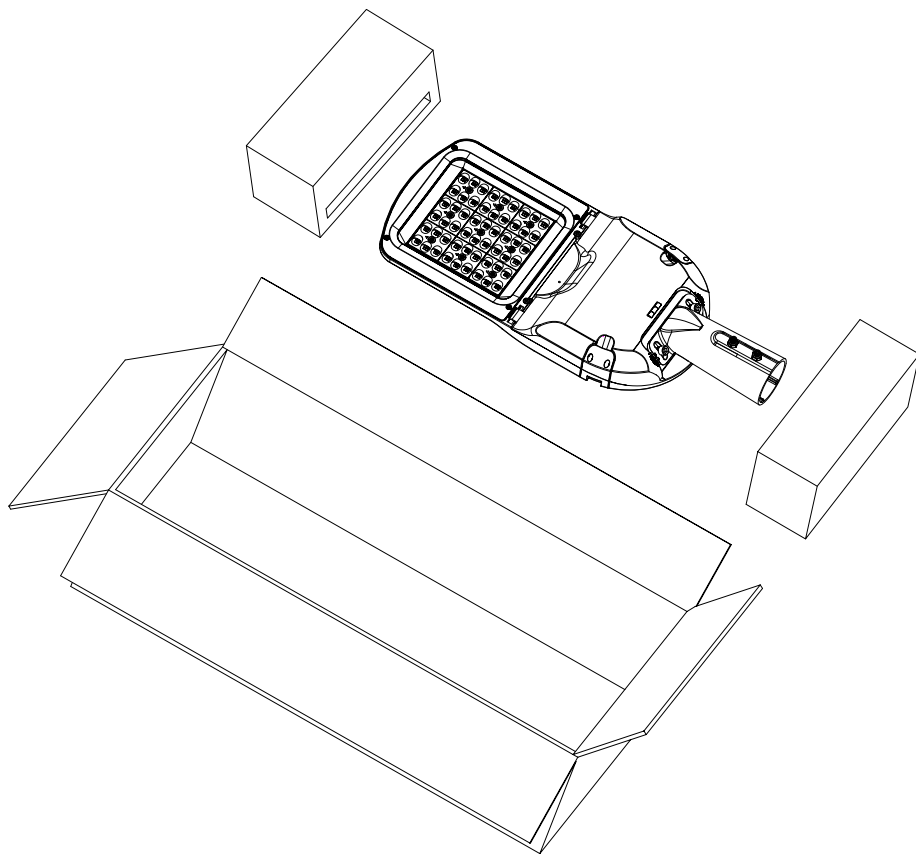
Product Installation Drawing

Installation hole size:60mm



40/50/60mm hole size is available

Packing



Model number	Size of outer case	QTY	G.W.
RL-S7-25W	623*255*150mm	1pcs	4.1KG
RL-S7-50W	623*255*150mm	1pcs	4.1KG
RL-S7-60W	623*255*150mm	1pcs	4.1KG
RL-S7-80W	666*295*150mm	1pcs	5.08KG
RL-S7-100W	666*295*150mm	1pcs	5.08KG
RL-S7-120W	666*295*150mm	1pcs	5.08KG
RL-S7-150W	736*315*150mm	1pcs	
RL-S7-180W	736*315*150mm	1pcs	
RL-S7-200W	747*355*150mm	1pcs	
RL-S7-250W	747*355*150mm	1pcs	
RL-S7-300W	846*355*150mm	1pcs	

Attention

1. Please do not disassemble the lamp without permission, or it will be deemed to have waived the warranty service.
2. Please read the manual carefully before installation.
3. Please check everything carefully before use. If any abnormalities occurred during use, please contact us immediately.
4. Please make sure the power is turned off before installation.
5. Please turn to professional electrician if any failure.

Warranty terms

All items have 65 months warranty since the purchase date.

1. Under warranty terms, if products are broken down under normal usage within warranty period, GLITTER will provide free maintenance service based on the proof-documents and invoice (copy) of the failed products.
2. GLITTER will not provide paid maintenance service under the following conditions even within warranty:
 - a. Failure or damage caused by force majeure.
 - b. Failure or damage caused by transport or unloading.
 - c. Failure or damage caused by incorrectly usage or fail to comply with the Manual and Caution.
 - d. Failure or damage caused by demolition, repair or alteration without Manufacturer's authorization.
3. Please deliver the failed products by original packing for maintenance service, GLITTER will not be responsible for any failure caused because of not complying to packing requirements.
4. GLITTER reserves the right for final explanation of aforesaid terms.

Cautions: GLITTER will not be responsible for any other failure or damage by incorrectly usage.