



PaxScan 2520DX imagers provide industry leading CBCT and Panoramic image quality for dental applications. Varian's amorphous silicon based detectors are the gold standard for CBCT in medical, dental and industrial applications.

Amorphous silicon brings key advantages unmatched by other technologies, including:

- radiation hardness > 1MRad
- widest input energy range
- immunity from single photon events in the substrate
- excellent low dose performance
- proven 3-D soft-tissue capability

Varian's extensive dental product line allows the OEM to easily integrate multiple panel sizes. The Virtual CP software interface is common across all the panels and the entire product line is offered with Gigabit Ethernet.

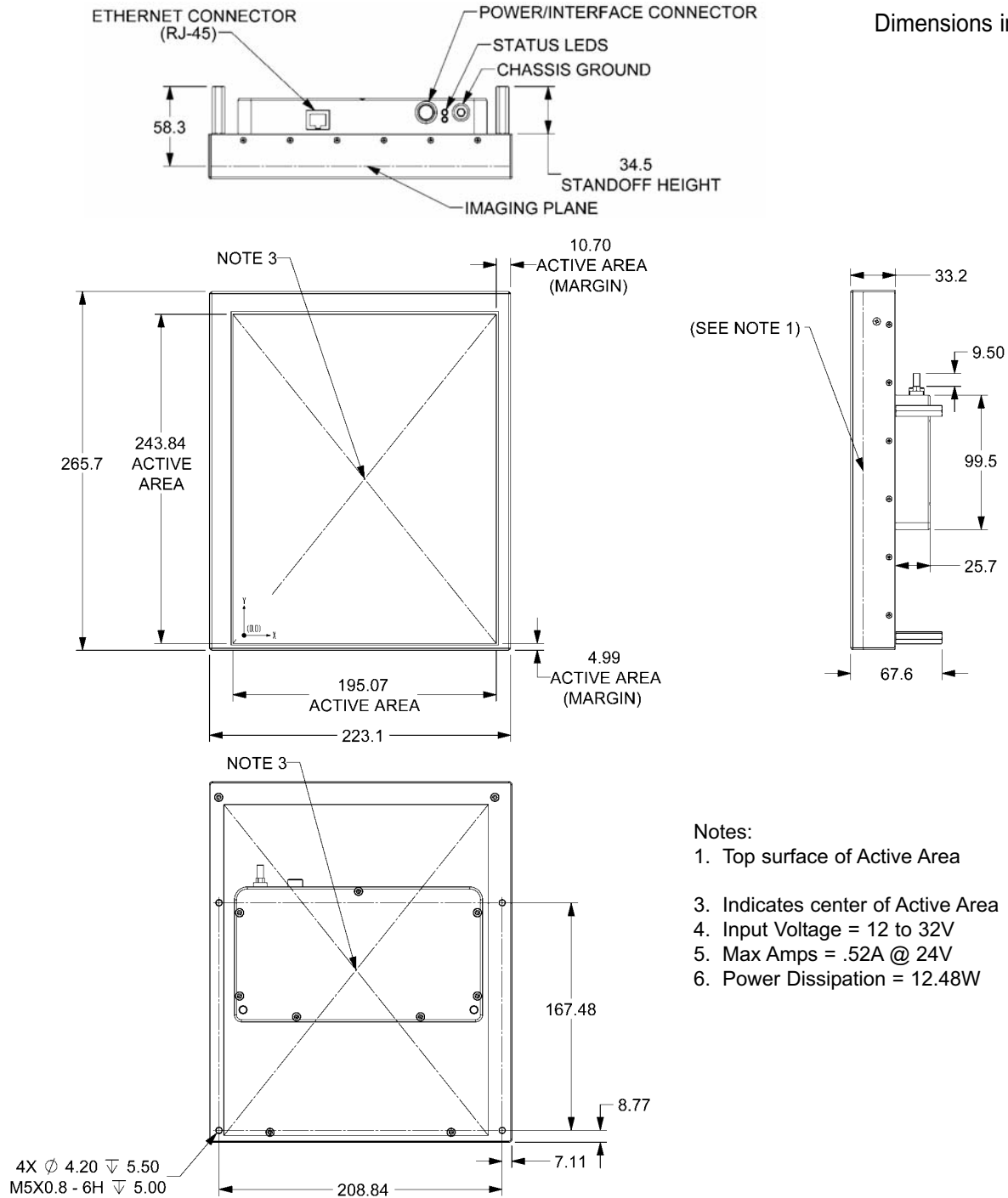
Technical Specifications

Receptor Type	Amorphous Silicon	Software	
Conversion Screen	Direct Deposit CsI, DRZ Plus	The software release includes ViVA™, a basic application for image acquisition and viewing on an end-user workstation running Microsoft® Windows™. The developer's software package includes a "Virtual Command Processor" software interface that performs detector calibration, detector set-up, image acquisition, and image corrections. ViVA™ includes file type translators for .viv, .raw, .jpg, and .bmp file formats.	
Pixel Area Total	19.5 x 24.4 cm (7.68 x 9.6 in.)	Environmental	
Pixel Matrix Total	1,536 x 1,920 (1 x 1) 768 x 960 (2 x 2)	Temperature Range - Operating	10°C to 35°C (max.) (measured on the back cover)
Pixel Pitch	127 µm ²	(Ambient) - Storage	-20°C to +70°C
Limiting Resolution	3.94 lp/mm	Humidity - Operating (non-condensing)	10 to 90%
MTF, X-Ray	>48% @ 1 lp/mm (1 x 1), CsI screen	Storage (non-condensing)	10 to 90%
Energy Range	40 - 160 kVp	Atmospheric Pressure - Operational	70 kPa to 106 kPa
Fill Factor	57%	Storage	70 kPa to 106 kPa
Image Capture	Ethernet Gigabit	Regulatory	
Scan Method	Progressive	U.S.	UL 60601-1
A/D Conversion	16-bits	Canada	CSA 22.2 No. 601.1-M90
Frame Rate	12.5 fps (1 x 1) 30 fps (2 x 2)	Mechanical	
Data Output	Gigabit Ethernet	Weight	5.53 lbs. (2.51 kg)
Exposure Control	Opto Coupled, External Sync, Expose OK	Housing Material	Aluminum
Power		Sensor Protection Material	Carbon fiber plate (2.5 mm thick) and aluminum
Power Dissipation	12 Watts nominal power consumption 11 to 35V input range, 15 V typical		
Power Supply/Mains	100 - 240 VAC, 47 - 63 Hz		

®PaxScan is a Registered Trademarks of Varian Medical Systems

Dimensions are for reference only

Dimensions in [mm]



Notes:

1. Top surface of Active Area
3. Indicates center of Active Area
4. Input Voltage = 12 to 32V
5. Max Amps = .52A @ 24V
6. Power Dissipation = 12.48W

NOTE: As with all Varian Amorphous Silicon Image Receptors, the PaxScan 2520DX is designed to be integrated into a complete X-ray system by a qualified system integrator. The system integrator is responsible for obtaining FDA clearance for medical use.

Varian Medical Systems

1678 South Pioneer Road
Salt Lake City, Utah 84104
Phone: 801-972-5000
Fax: 801-973-5023



Varian Proprietary & Confidential Information.
Use is prohibited without Varian's express written consent.