

VISUALIZATION



Looking Glass™



Looking Glass™

Video System

Looking Glass™ Integrated Surgical Visualization System AV4132

Looking Glass™ Camera Head – 4K 3MOS EYECUP..... AV41CHE

Looking Glass™ Cable Connector Interface AV41CON

Touch Glass Standard Image CaptureAV41SIC

Touch Glass Content Management System.....AV41CMS

Light Source

Electronic Light Guide eLumaAV41LG

ELG Dyonics/Wolf AdapterAVELG51

ELG Adapter ACMIAVELG52

ELG CONMED Threaded Adapter.....AVELG53

Scope to Threaded AdapterAVELG53SA

LED Light Console.....LS8000

Video Cart

Video Cart, 230VACVP8501

Primary Articulating ArmVP8570

Secondary Arm with Keyboard TrayVP8571

Shelf Looking Glass™ VP8500 AdapterAV8541

Mounting Bracket Looking Glass™ CCIAV8542

Retro-kit for Visualization CartVP8500AV-kit

USB Keyboard for DRSHD-1080P DRS29



AV4132



AV41SIC
AV41CMS



LS8000



AV41CHE



AV41CON



AV41LG

Camera Systems



IM8000 True HD3
MOS Camera Control Unit



True HD 3MOS "Eyecup" Camera Head



True HD 3MOS "Cartridge" Camera Head



True HD 3MOS "Urology" Camera Head

IM8000 True HD 3MOS (3-Chip CMOS) Camera Control Unit

- Vivid Visualization - CMOS chip sensors provides increased light sensitivity, crisp resolution and the most natural color spectrum for advanced surgical procedures.
- Fully Autoclavable- All three camera heads are designed to be autoclavable, which is the most cost-effective form of sterilization.
- Durable Design -For increased durability and reliability, these camera heads feature our proprietary ShockFlexprism mounting designed to limit surprises in the OR caused by faulty equipment and ensure a long life span

True HD 3MOS Camera Control Unit.....	IM8000
Autoclavable True HD 3MOS "Eyecup" Camera Head.....	IM8120
Autoclavable True HD 3MOS "Cartridge" Camera Head.....	IM8121
Autoclavable True HD 3MOS "Urology" Camera Head	IM8123

All-In-One Integrated 4K Camera System

- The 3-chip CMOS sensors deliver an increased color spectrum, clarity and resolution while the direct LED light source delivers consistent light output for optimal clarity
- The Trinity™ 4K combines the camera controller, light source and image capture into one compact console that frees up space and simplifies wire management Flexibility of movement
- An optional wireless tablet allows OR staff access to the system remotely, so adjustments can easily be made from outside the sterile field

Trinity™ 4K Camera Control Unit	81-10-4010
Trinity™ 4K Camera Head, 3CMOS "Eyecup"	81-10-4100
Trinity™ Tablet User Interface	81-10-1000



81-10-1000



81-10-4010



81-10-4100

3DHD Vision Systems



IM8000 True HD3
MOS Camera Control Unit



3DHD Dual Channel
Camera Head



3DHD 2D
Camera Head



Coupler F-27



3DHD Overwear 3D Glasses



3DHD Dual Channel
Endoscope 10mm 30°



3DHD Dual Channel
Endoscope 10mm 0°

3DHD Camera Controller

3DHD Camera Controller 8170-6

3DHD LCD Display

3DHD LCD Display – 32” 8272-19

3DHD Camera Heads

3DHD Dual Channel Camera Head. 8170-9

3DHD 3D Glasses

3DHD Overwear 3D Glasses (box of 5) 8272-16

Autoclavable Stereo Endoscopes

Dual Chanel Bariatric

3DHD Dual Channel Endoscope 10mm 0°,
Useful length 415mm 8191-11

3DHD Dual Channel Endoscope 10mm 30°,
Useful length 415mm 8191-12

Dual Channel Standard length

3DHD Dual Channel Endoscope 10mm 0°,
Useful length 300mm 8191-13

3DHD Dual Channel Endoscope 10mm 30°,
Useful length 300mm 8191-14

LS8000 Direct LED Light Source

- Energy-efficient, LED technology consumes less energy than Xenon style bulbs and can last up to 40 times longer than many other light source types. This avoids the constant replacement of light bulbs which can become costly and time consuming for the hospital staff.
- Includes light guide detection feature for automatic standby when the light guide is removed from the receptacle. This avoids excessive heat at the tip of the scope that may engage the drape and cause safety issues during the procedure.
- Light box console Includes new informative display with intuitive icons for ease-of-use in operating.
- Ideal for frequent on-off cycling with low burn out rates.



LS8000 Direct LED Light Source

Direct LED Light Source..... LS8000

High Definition Compatible Xenon Light Source

The HD Compatible 300 Watt Xenon Light Source from CONMED is a standalone, user-friendly light source that provides optimal light output so even the most challenging surgical cases are adequately illuminated.

- OLED window display with multi-function read out » HD Camera control connection allows surgeon to safely turn bulb stand-by on/off via the remote camera head button
- HD Camera communication link allows light output to automatically adjust to optimal light intensity when using the IM4000 HD Camera
- Universal light guide receptacle that accommodates both long and short light guide adapters
- Auto bulb-saver feature designed to extend useful life of bulb when light source is not in use
- Easy access bulb replacement
- Locking feature to keep light guide securely in place
- Compatible with ConMed's SMART OR Nurse's Assistant OR Control and Integration Systems



LS7700 HD Compatible Light Source

300 Watt Xenon Light Source LS7700

Medical Monitors



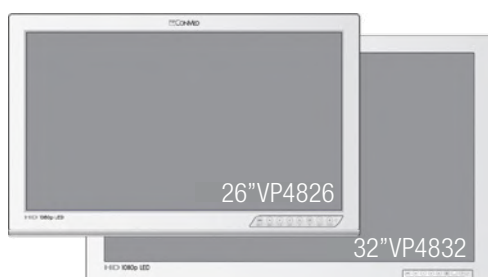
LMD-X310MD



VP4932



LMD-2765MD



LCD Monitor Cover

4K MONITORS

CONMED's 4K System provides dependable performance and a vivid image, allowing surgeons the depth and clarity needed in the OR.

SONY 31" Medical Monitor LMD-X310MD

4K UHD Monitor, 32" VP4932

HD LED Monitor

SONY 27" Medical Monitor LMD-2765MD

26" and 32" HD LED Backlit Medical Grade Monitors & Wireless System

26" High Definition LED Monitor VP4826

32" High Definition LED Monitor VP4832

LCD Monitor Covers

Protects your investment when not in use

Monitor Cover, 26" VP4826C

Monitor Cover, 32" VP4832C

CMS9000

Content Management System

With features like multi-channel Full HD recording, wireless connectivity, integration with hospital electronic health record (EHR) networks, live streaming, an improved iOS app (iPad and iPhone) and more, the CMS9000 represents CONMED's next generation of high definition image capture system that's designed to improve how hospitals manage surgical footage both in and out of the OR.

Features

- Wi-Fi Connection to Hospital EMR Networks
- Integrated iPad/iPhone App
- Live, Full-HD Streaming over ip
- Integrated Data Security
- Customizable User Profiles

CMS9000 Content Management System	CMS9000
CMS9000 Software Upgrade with Installation Card	CMS30
15" LCD Medical Touch Screen Monitor	CMS34
CMS34 Stand	CMS34-STD

USB300

The USB300 is the medical industry's easiest, most affordable high-definition recorder. Record up to two weeks of HD video on the internal hard drive or record directly to a convenient USB flash drive.

Features

- high-definition video
- Record up to two weeks of HD video on the internal hard drive
- Can record directly to a convenient USB flash drive
- Steel case and fluid resistant front panel

USB300, HD Medical Video Recorder	USB300
---	--------



CMS9000
Content Management System



15" LCD Medical Touch Screen Monitor



USB300

Printer



Sony UP-DR80MD Full Page Color Printer

Sony Full Page Color Printer

The UP-DR80MD is the flagship printing option for HD image capture systems. The UP-DR80MD prints in letter or A4 format and is medical grade. The UP-DR80MD is ideal for all applications where outstanding image quality and accurate color reproduction are essential. This fast and reliable dye sublimation printer is compact enough for video cart integration.

Features

- Premium, photo-realistic prints
- High-speed printing
- Compact size and stylish design
- Fits well on surgical video carts
- USB 2.0 connection
- Self-laminating roll media
- Easy to operate
- Letter or A4 Paper Size/50 sheet capacity

Specifications

- Power Requirements: 100 – 240 VAC, 50/60 Hz, 3.4 A to 1.4 A
- Controller: 12.5" h x 8.13" w x 16.75" l (31.7 cm w x 20.7cm h x 42.5cm d)
- Weight:25.3 lbs. (11.5 kg)

Sony UP-DR80MD Full Page Digital Color Printer UP-DR80MD
 Color Print Pack, Letter Size, 100 Sheets UPC-R81MD
 Color Print Pack, A4 Size, 100 Sheets UPC-R80MD

VP8501 Video Cart

The next generation video cart is like nothing else on the market. The VP8500 Video Cart provides your OR with clean lines, new features and added flexibility. Providing a platform for High Definition or Enhanced Definition equipment, the VP8500 is designed to be as modern looking as the equipment on its shelves.

Video Cart, Standard, INT VP8501

NEW - VP8500 Accessories

(Only compatible with the new white VP8501)

Monitor arms

Primary Articulating Arm (supports monitors up to 18Kg) VP8570

Secondary Articulating Arm with Keyboard Tray
(supports monitors up to 7Kg) VP8571

Suction & Irrigation

10K Pump Holder VP8572

CO₂

CO₂ Holder, Dual Tank Holder VP8574

CO₂ Holder, Single Tank Holder VP8575

Tank Wrench with Magnetic Base VP8580

Camera accessories

Storage Drawer VP8576

Camera Head Holder VP8577

Trinity™ Tablet Arm VP8581

Foot pedal holder and basket

Footswitch Bin VP8578

17" Wide shelf option VP8540

Previous VP8500 Monitor Mounts CART

(Only compatible with the older gray VP8500 carts)

Main Flat Panel Articulating Arm
(supports monitors up to 14Kg) VP8532

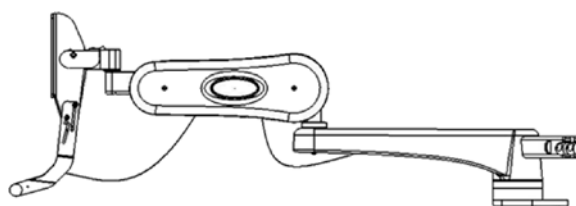
Articulating Arm 26" monitor
(supports monitors up to 11Kg) VP8525

Heavy Panel, Flat Panel Post Mont VP8565

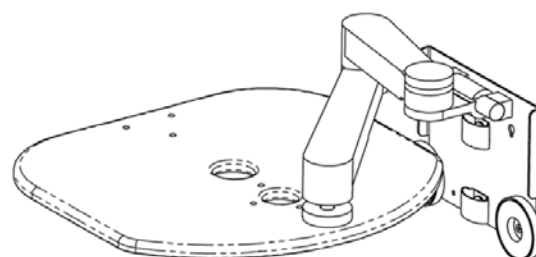
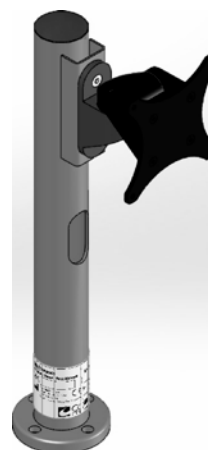
Secondary Monitor Mount
(supports monitors up to 13Kg) VP8520



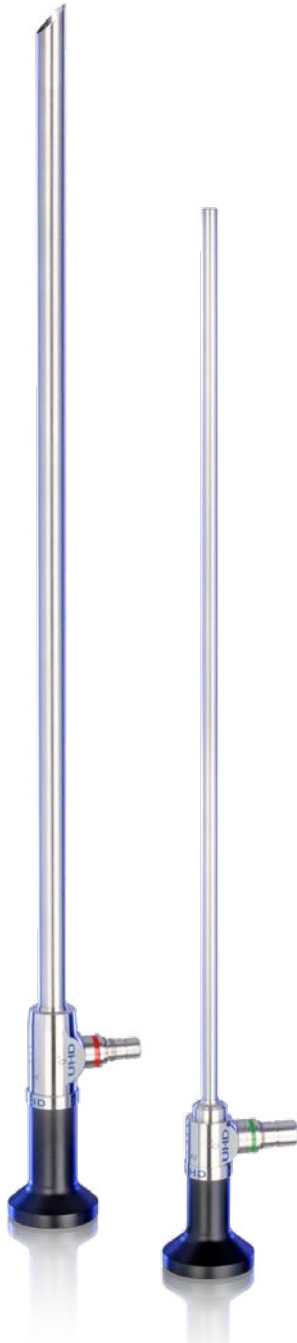
VP8501



VP8570



VP8578



Ultra-High Definition Laparoscopes

Ultra High Definition (UHD) Laparoscopes

Upgrade your OR to our next generation of clinical visualization. CONMED's third generation Ultra-High Definition Laparoscopes have features designed to enhance image clarity and sharpness for improved viewing of anatomical structures.

5.5mm UHD Autoclavable Laparoscopes

Standard Length (Working length 325mm)

5.5mm UHD Laparoscope, Standard Working Length, 0°	UHD5500
5.5mm UHD Laparoscope, Standard Working Length, 30°	UHD5530

Extended Length (Working Length 450mm)

5.5mm UHD Laparoscope, Extended Working Length, 30°	UHD5530XL
5.5mm UHD Laparoscope, Extended Working Length, 45°	UHD5544XL

10mm UHD Autoclavable Laparoscopes

Standard Length

10mm UHD Laparoscope, Standard Working Length, 0°	UHD1000
10mm UHD Laparoscope, Standard Working Length, 30°	UHD1030

Extended Length

10mm UHD Laparoscope, Extended Working Length, 0°	UHD1000XL
10mm UHD Laparoscope, Extended Working Length, 30°	UHD1030XL
10mm UHD Laparoscope, Extended Working Length, 45°	UHD1044XL

HD Autoclavable Laparoscopes

Autoclavable Laparoscopes offer excellent optical performance with state-of-the-art optical systems. Sapphire lenses ensure durability, decreasing costly repairs.

5.5mm HD Autoclavable Laparoscopes Standard Length (Working length 325mm)

5.5mm HD Laparoscope, Standard Working Length, 0°	HD5500
5.5mm HD Laparoscope, Standard Working Length, 30°	HD5530
5.5mm HD Laparoscope, Standard Working Length, 45°	HD5544

Extended Length (Working Length 450mm)

5.5mm HD Laparoscope, Extended Working Length, 0°	HD5500XL
5.5mm HD Laparoscope, Extended Working Length, 30°	HD5530XL
5.5mm HD Laparoscope, Extended Working Length, 45°	HD5544XL

10mm HD Autoclavable Laparoscopes Standard Length

10mm HD Laparoscope, Standard Working Length, 0°	HD1000
10mm HD Laparoscope, Standard Working Length, 30°	HD1030
10mm HD Laparoscope, Standard Working Length, 45°	HD1044



5.5mm Eyecup HD
Autoclavable Laparoscope



5.5mm Eyecup HD
Autoclavable Extended
Length Laparoscope



10mm Eyecup HD
Autoclavable Laparoscope



C3278



LG1050



LG1090

Universal Light Guides

- Autoclavable
- Superior light transmission
- Lightweight and flexible
- Universal fittings

Non-Transparent

- both sides Universal

5mm x 3m Universal Light Guide, Non-Transparent..... C3278



Translucent Blue

Light Source side : Olympus fitting & Scope side : Universal

5mm x 3m Autoclavable Light Guide, Translucent Blue LG1050



Translucent Blue 90°

» Light Source side : Olympus fitting & Scope side : ACMI fitting

5mm Autoclavable Light Guide, 90 degree,

Translucent Blue LG1090



Light Source Fittings (to complete C3278 Universal Light Guide)

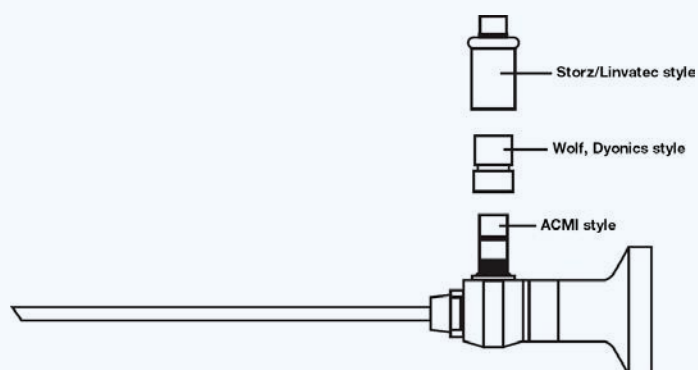
Wolf, Dyonics Light Source Fitting	7455
ACMI Light Source Fitting	7456
Storz Light Source Fitting	7457
Olympus Light Source Fitting	7458
Replacement Scope Fiber Post Adapters.....	7513

Scope Fittings (to complete C3278 & LG1050 Universal Light Guides)

Wolf, Dyonics Scope Fitting	7451
ACMI Scope Fitting	7452
Storz, Olympus Scope Fitting	7453

NOTE:

When ordering a light, make sure to order appropriate fittings to go with it :



Sterilization Trays

VP100X Sterilization Tray Series

CONMED's tray product portfolio will allow you to properly store and reprocess a variety of our 2DHD autoclavable devices that can be used in multi-specialty, minimally invasive surgical procedures. These components include camera heads, scopes, sheaths, bridge systems, cannula's and light guides.



Video Extended Length TrayVP1003
 » Scopes and Light Guides

Scopes with an outer diameter not less then 5.5mm or greater than 10mm with lengths no greater than 530mm

Video Tray Single LevelVP1005
 » Camera heads, Scopes, Sheaths, Cannula's and Bridge Systems
 Scopes, Sheaths, Cannulas and Bridge Systems with internal diameters no less than 2.3mm, outer diameter not less than 2.3mm or greater than 10mm, and with lengths no greater than 404mm may be sterilized in this tray.

Video Arthroscopy TrayVP1006
 » 2.9mm and 4.0mm Arthroscopes.

Scopes with diameters no less than 2.9mm or greater than 4mm, with lengths no greater than 233mm may be sterilized in this tray.

Video Laparoscope TrayVP1007
 » 5.5mm and 10mm Laparoscopes.

Scopes with diameters no less than 5.5mm or greater than 10mm, with lengths no greater than 404mm may be sterilized in this tray.

3DHD Camera System TrayVP1008
 » 3DHD System components including camera heads, scopes and light guide in this two section tray.

- Bottom will accommodate 3DHD Dual Channel Endoscope, Stereo Endoscope, 2DHD Single Channel Laparoscope.
- Top portion will accommodate both 3DHD camera head models and 2DHD camera head and light guide.

3DHD Rigid Scope Sterilization TrayVP1009