

X-line™

xMotionPro™



xMobility360™



A NEW GENERATION OF OPERATING TABLES



Famed X Line™

X-Line™

X-Line™ is a new generation of operating tables, developed in response to the real needs of modern operating theatres: an increasing number of devices in the operating room, limited space, and growing requirements for precise, repeatable patient positioning. In surgery, every millimetre matters — so we created a solution that enables surgical-precision control of patient positioning on the operating table while also helping to organise the workspace around medical equipment.

The X-Line™ concept is built on two pillars:

01

ultra-precise positioning and a highly mobile design. Tabletop adjustments with an accuracy of 0.5 mm and 0.1° allow the patient's position to be precisely matched to the requirements of a wide range of medical procedures, including robotic-assisted surgery and intraoperative imaging.

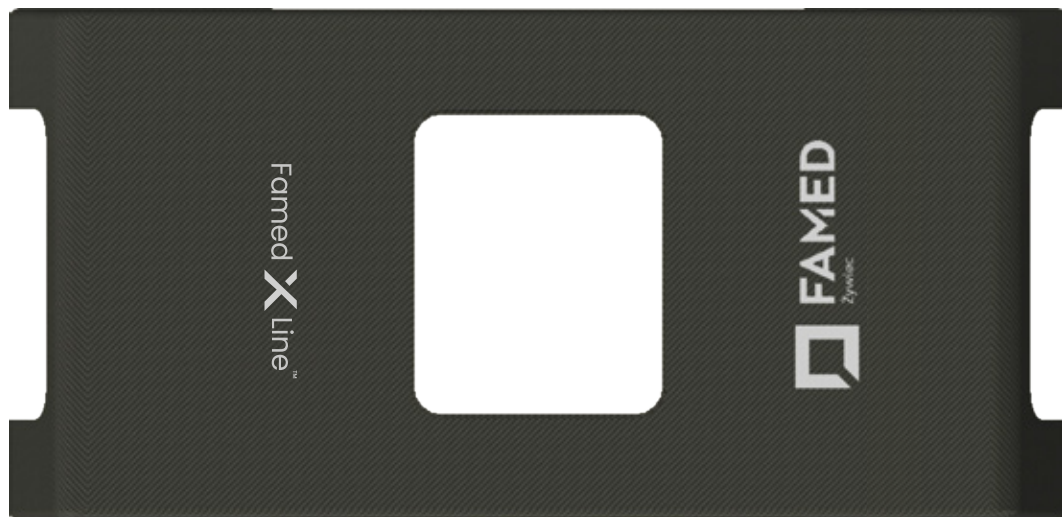
02

360° mobility enables smooth manoeuvring and precise positioning of the table even in limited space, and in an environment with multiple devices.



Discover Famed X-Line™:

- Famed OPTIMA 5.70
- Famed OPTIMA 5.60
- Famed PRIME



In practice, X-Line™ gives the surgical team greater control over patient positioning, more efficient operating room organisation, and improved comfort and ergonomics at work.



Famed OPTIMA (5.70)



Learn more!

AN ULTRA-PRECISE, HIGHLY MOBILE OPERATING TABLE MADE OF PREMIUM MATERIALS

An operating table with the ultra-precise xMotionPro™ control system and adjustable tabletop movement speed. The xMobility360™ highly mobile base makes it easier to manoeuvre and position the table in the operating room. Its modular design allows for quick exchange of tabletop segments, while the use of high-quality stainless steel and carbon fibre ensures durability and streamlines disinfection. A wide range of dedicated accessories, combined with above-average precision, ensures the table's versatility across a broad spectrum of medical procedures.



UNIVERSAL AND CONFIGURABLE

- The modular design and wide range of accessories make it easy to adapt the table to most procedures.
- All table movements (except headrest positioning) are controlled via the remote control.
- 5-section tabletop as standard, with the option to install optional double-split leg supports (6-section tabletop).
- Waterproof, antistatic mFix™ mattresses made of 80 mm polyurethane foam.
- Accessory rails with protection against accidental dropping of accessories.
- Column and base made of carbon fibre or stainless steel with IntelliProtectPlus™ technology (optional).
- X-ray translucent tabletop made of carbon fibre or HPL (optional).
- 1440 mm imaging window (standard).



HIGH-PRECISION CONTROL

- Three operating modes allow the table movement speed to be adjusted to the surgeon's needs.
- The xMotionPro™ control system enables tabletop positioning with an accuracy of 0.5 mm and 0.1°.
- Immediate response to button press and release on the controllers ensures precise positioning.
- A wired remote control with a display is supplied as standard; optional: a side control panel mounted on the column and a foot controller.
- The remote control's LCD touchscreen makes it easy to read tabletop position parameters, battery charge level, and potential collisions and errors.
- Ability to save 8 most frequently used positions.



HIGHLY MOBILE DESIGN

- The low xMobility360™ base (150 mm), no protruding elements, and carbon fibre construction ensure safe access for the C-arm.
- Four 360° swivel casters and an optional fifth wheel enable smooth manoeuvring forwards, backwards and sideways, as well as rotation around the table's own axis.
- The wheels are positioned under the base cover, which reduces dirt build-up and makes cleaning easier.
- Remote-controlled wheel locking — four widely spaced retractable support feet hidden within the base ensure stability and safety.
- Contoured foot cut-outs on each side of the base allow the surgeon to stand closer to the table, providing convenient access to the surgical field.



Famed OPTIMA (5.60)



Learn more!

A UNIVERSAL, COST-EFFECTIVE OPERATING TABLE WITH MICRO-ADJUSTMENTS AND A HIGHLY MOBILE BASE

A universal operating table combining a wide range of positions, high maximum load capacity, and very good parameters of X-ray translucency and tabletop longitudinal shift. The ultra-precise xMotionPro™ control system, with an accuracy of 0.5 mm and 0.1°, facilitates precise positioning, while the xMobility360™ highly mobile base facilitates manoeuvring the table in the operating room. Steel components made of high-quality AISI 304 stainless steel with IntelliProtectPlus™ technology facilitate disinfection and help prevent dirt build-up. A wide range of accessories enables the table to be used across many medical procedures.



UNIVERSAL AND CONFIGURABLE

- The modular design and wide range of accessories make it easy to adapt the table to most procedures.
- X-ray translucent HPL tabletop.
- Waterproof, antistatic mFix™ mattresses made of 80 mm polyurethane foam.
- Side rails with protection against accidental dropping of accessories.
- The ability to interchange the headrest and leg supports to reconfigure the table.
- All table movements (except headrest and leg support positioning) are controlled via the remote control.
- 4- or 5-section tabletop available, with the option to install optional double-split leg supports (6-section tabletop).



MICRO-ADJUSTMENTS

- Three operating modes allow the table movement speed to be adjusted to the surgeon's needs.
- The xMotionPro™ control system enables tabletop position changes with an accuracy of 0.5 mm and 0.1°.
- Immediate response of the table to button press and release on the controllers ensures precise positioning.
- Wired remote control with a display supplied as standard; optional: a side control panel mounted on the column and a foot controller.
- The LCD touchscreen on the remote control allows easy reading of tabletop position parameters, battery charge level, and potential collisions and errors.
- Ability to store 8 most frequently used positions.



HIGHLY MOBILE CONSTRUCTION

- Low xMobility360™ base (150 mm) with a choice of manual or electric wheel locking.
- Four 360° swivel castors and an optional fifth wheel allow the table to be manoeuvred smoothly forwards, backwards and sideways, and to rotate around its own axis.
- The wheels are positioned under the base cover, reducing dirt build-up and facilitating cleaning.
- Contoured foot cut-outs on each side of the base allow the surgeon to stand closer to the table, providing convenient access to the surgical field.
- Four widely spaced supports lock the table in the selected position, ensuring stability and safety.



Famed X Line



Total length 2060 mm | Total width 550 mm | Minimum height 680 mm | Maximum height 1080 mm | Trendelenburg 40° |
Anty-Trendelenburg 40° | Lateral tilt 30° | Longitudinal shift 400 mm | Maximum load 460 kg

Famed PRIME



Learn more!

A COST-EFFECTIVE OPERATING TABLE WITH HIGH PRECISION AND MOBILITY

A universal, cost-effective operating table designed for ease of use and reliability. Famed PRIME offers electric adjustment of key table functions. The X-ray translucent HPL tabletop and a low, highly mobile base enable cooperation with the C-arm. The xMotionPro™ control system ensures high-precision tabletop positioning. Steel components are made of AISI 304 stainless steel with InteliProtectPlus™ technology, which facilitates disinfection and helps prevent dirt build-up. The xMobility360™ highly mobile base is available in two variants: stainless steel or ABS.



UNIVERSAL AND FUNCTIONAL

- The modular design and wide range of accessories make it easy to adapt the table to most procedures.
- Electric adjustment of height, lateral and longitudinal tilts, and the backrest section (optional).
- Manual adjustment of the headrest, leg supports, longitudinal shift, and kidney bridge elevation.
- 4- or 5-section tabletop available, with the option to install optional double-split leg supports (6-section tabletop).
- Ability to change the tabletop configuration.
- Waterproof, antistatic mFix™ mattresses made of 80 mm polyurethane foam.
- Tabletop segments mounted using intuitive “press to play” quick-release connectors with protection against accidental disengagement.



INTUITIVE AND PRECISE CONTROL

- Wired remote control supplied as standard; optional: a wired remote control with a display, a side control panel mounted on the column, and a foot controller.
- Three operating modes allow the table movement speed to be adjusted to the surgeon's needs.*
- The xMotionPro™ control system enables tabletop position changes with an accuracy of 0.5 mm and 0.1°.
- Immediate response of the table to button press and release on the controllers ensures precise positioning.
- The LCD touchscreen on the remote control allows easy reading of tabletop position parameters, battery charge level, and potential collisions or errors (optional).*
- Ability to store 4 or 8* most frequently used positions.



HIGHLY MOBILE CONSTRUCTION

- Low xMobility360™ base (150 mm) made of high-quality stainless steel or ABS plastic, available as an option.
- Four 360° swivel castors and an optional fifth wheel allow smooth manoeuvring of the table forwards, backwards and sideways, as well as rotation around its own axis.
- The wheels are positioned under the base cover, reducing dirt build-up and facilitating cleaning.
- Manual wheel locking via a foot lever.
- Four widely spaced retractable support feet lock the table in the selected position, ensuring stability and safety.
- Contoured foot cut-outs on each side of the base allow the surgeon to stand closer to the table, providing convenient access to the surgical field.



Famed X Line™



Total length 2060 mm | Total width 550 mm | Minimum height 680 mm | Maximum height 1080 mm | Trendelenburg 40°
 Anty-Trendelenburg 40° | Lateral tilt 30° | Longitudinal shift 340 mm | Maximum load 350 kg

* Available in the table version with a wired remote control featuring an LCD touchscreen display.

Famed X Line™





Technologies applied in the products:



xMotionPro™

xMotionPro™ is a next-generation control system that sets entirely new standards in the segment of electro-hydraulic operating tables. It provides smooth, stable movements and ultra-precise positioning with an accuracy of 0.5 mm and 0.1°—one of the most precise systems available on the market. It enables precise patient positioning and quick corrections during the procedure, reducing positioning time and increasing safety in situations where surgical precision matters. Control is available via a wired remote control with an LCD display, a side control panel, and a foot controller, while the LCD screen makes it easy to read positioning parameters, battery charge level, and system messages (including limits, warnings, and errors).



xMobility360™

xMobility360™ is a solution implemented in the new operating table base, providing full manoeuvrability and enabling quick, precise positioning of the table in the operating room. The base houses four 360° swivel castors, with the option of an additional fifth wheel—in an X-shaped layout. The wheels, mounted inside the base, move in any direction, ensuring smooth manoeuvring without the need for “figure-eight” movements. This speeds up positioning and repositioning of the table, especially in limited space. Foot cut-outs on each side allow the surgeon to stand closer to the table, providing easier access to the surgical field and improved ergonomics.



TotalClear™

TotalClear™ is the effect of years of designing various prototype carbon fiber tops, experiments with types of fibers and their arrangement. Due to extensive research in a professional measuring institute, the final structure and direction of fiber arrangement in TotalClear™ system allows for the reduction of the number of artifacts on images. As a result, the risk of misdiagnoses based on imaging is reduced to the minimum. The tabletop made with the use of TotalClear™ technology not only has a very good translucency parameter, but above all it helps obtain images that are very clear and free from distortions. It ensures diagnostic reliability and the certainty of your every move. The table top made in TotalClear™ technology does not have any crossbeams (frame-less structure). It is made of a uniform carbon plate with n° translucency.



fCharge™

All battery cells powering Famed Żywiec products are carefully selected from a reliable supplier we have been co-operating with for many years. Each fCharge™ battery cell undergoes inspection at an external company, then goes through multiple tests at several technology departments of our factory. The fCharge™, fast charging technology charger used in our products allows for quick supply of the necessary amount of electricity to carry out the first treatments. A minimum of several dozen guaranteed full work cycles ensures safety in the course of performing every medical procedure.



InteliProtectPlus™

Operating tables in the InteliProtectPlus™ technology are made of corrosion-resistant stainless steel AISI 304 (according to European standards as X5CrNi18-10 / 1.4301). Thanks to its high nickel and chromium content, it has a high corrosion tolerance. In order to provide additional steel protection, we have also implemented the electropolishing and passivation process. Electropolishing is a process whose purpose is to remove impurities, smooth and restore the surface of the steel to the proper passive layer that protects it against corrosion. Thanks to the InteliProtectPlus™ technology, chromium atoms accumulate on the steel surfaces of our products and their structure becomes harder. In addition, the smoothed and shiny surface guarantees easy disinfection and maintaining the product clean. It also helps to protect it against dust and dirt. Steel surfaces with InteliProtectPlus™ technology are still protected even when the surface gets scratched - in the process of atmospheric oxygen getting to the damaged spot, passivation occurs and the risk of corrosion is excluded. As the only manufacturer of operating tables, we additionally protect the internal structural components of our products with a zinc-based protective layer.



bbSafe™

Wired remote control with 2.8" screen in IPS technology, which enables quick and precise change of position and real-time preview of setting values. For patient safety, we have designed the bbSafe™ system – triple protection against accidental change of position and a warning about high energy consumption. Following an adjustable idle time, the remote control automatically switches to standby mode. In addition, there is a two-step process of changing the bed's position – the operator first presses a button corresponding to the category of movement, and then, in the next step, enters information about its direction. Moreover, the bbSafe™ system warns the user when the movement of the table puts a heavy load on the battery cells – this allows you to predict the power consumption and plan battery charging accordingly. The remote control meets the IP54 standard.



pDetach™

Optional control of the operating table located on the column. This additional control module is a removable panel that can be detached from the column and operated like a traditional remote control. It provides full functionality in setting the table position. The panel has a convenient pDetach™, magnetic mechanism, which protects it against getting accidentally brought down, while providing a simple and quick disassembly.



rCover™

The wireless remote control for the operating table is an option for the facilities which require maximum convenience and usability. This controller offers all the features of a wired remote control, a powerful battery pack and a docking station with a wireless charger. It is equipped in bbSafe™ and rCover™ technology – built-in protection against interference with other wireless devices that work in the vicinity of the operating room. Part of the system is also a special table and the remote-control pairing procedure and appropriately calculated signal power limit.



MobiWeight™

The Hyperion table has a column with systems that allow for changing the table position with the maximum load. MobiWeight™ system cares for patient safety and does not drain too much energy from the battery cells. It also controls the table movement in a smooth way, slowly initiating any position changes. Thanks to its double system of height adjustment, MobiWeight™ facilitates table lowering to the height of 585 mm. It makes it much easier to correctly position a patient on Hyperion table top. High load capacity does not exclude a good value of longitudinal travel parameter. MobiWeight™ allows for top travel distance of up to 400 mm.



InfiniMove™

The table top has special immersion for stepless mounting of additional accessories. The main features of the InfiniMove™ adapters are the possibility to change the place of equipment assembly and quick disassembly of the rails (so that they do not interfere during the procedure and do not create disturbances during imaging). Adapters have latches at their ends that protect the accessories against accidental disassembly.

SU-03

Economical table with electro-hydraulic control

Famed SU-03 operating table is a universal product with a very affordable price. SU-03 offers numerous functions, high load capacity, good radiolucency parameters, longitudinal travel and rich choice of compatible accessories. And it has the legendary quality of the Żywiec plant production.

The entire offer of additional equipment is presented in the "Equipment for operating tables" catalogue.

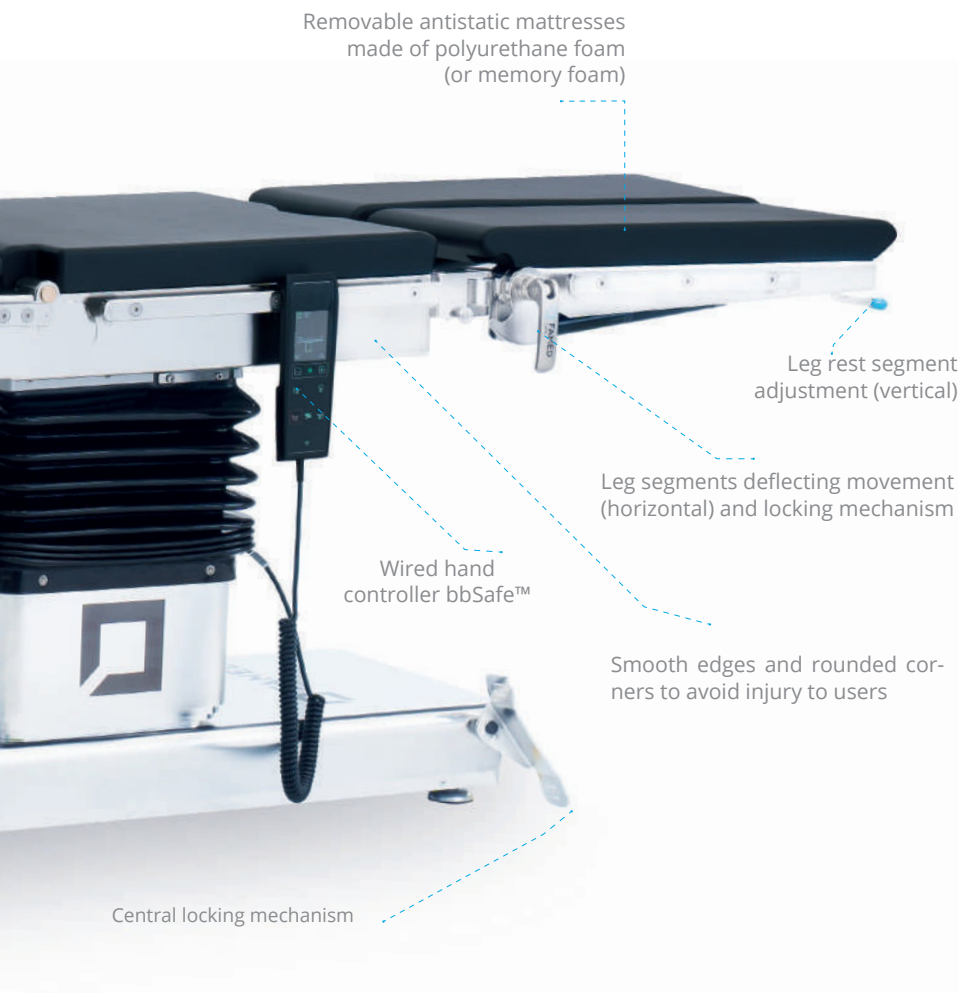


Standard structure

- All steel components are made of high-alloy, corrosion-resistant stainless steel AISI 316L that subjected to electropolishing process - **IntelliProtectPlus™** technology, resistant to disinfecting agents.
- Mobile base is equipped with central locking system activated by a foot lever (T-shaped base: mechanical-hydraulic foldable pods; H-shaped base (large wheels) .
- Mattresses are easy removable from the table top segments.
- Surfaces of the tables are easy to be kept clean and are resistant to disinfecting agents.
- The table top is X-ray translucent. It enables taking X-ray pictures and monitoring the patient with a C-arm.

Functions and drives

- Table top height adjustment, lateral tilt adjustment, Trendelenburg and reverse-Trendelenburg adjustment, table top leveling are executed with the use of a remote controller with the use of electro-hydraulic motors and 24V **fCharge™** power supply. Hand controller is equipped with battery charge level indicator.
- Back rest and leg rest segment (single section) and head rest segment angle adjustment are supported by gas springs equipped with locking mechanism.
- Electro-hydraulic back rest segment (option in SU-03; standard in SU-03.91).
- Divided leg rest segments are being set up with the use of gas springs.
- Kidney elevator height adjustment at 5 and 6 segments table top is manually executed with the use of the gear transmission located at head rest segment side.
- Table top stepless longitudinal shift is executed manually.
- Leg rest segments are deflected horizontally manually.



Trendelenburg position



Lateral tilt



Gynaecological and urological position

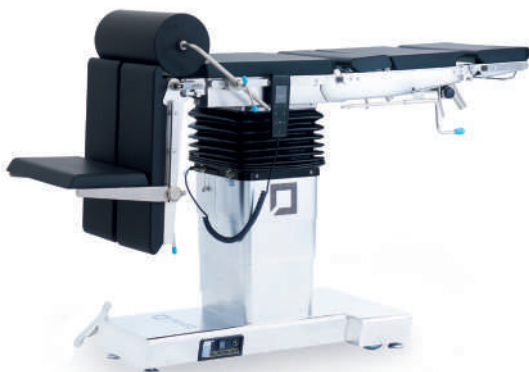


Beach chair position

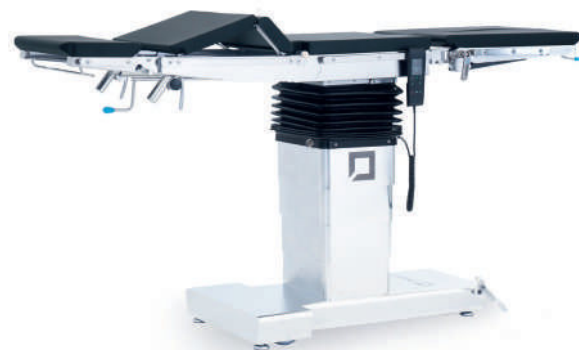


Proctologic position

Proctology attachment WS-30.5



Raised kidney bench



STANDARD FUNCTIONS AND SOLUTIONS

Cooperation with C arm

Longitudinal table top shift, asymmetric table column location allow you to use the C arm during interventions required continues patient monitoring. Table top is fully translucent.



Range of X-ray permeability (remember, you can always switch the leg and head segments).

Mattresses



Table is equipped with removable, seamless, molded polyurethane pads 40 mm thick. All mattresses are antistatic, waterproof and X-ray translucent. They can be easily detached from the table top (they are mounted on with the use of special pegs, which secures them in place and prevents from moving during the table adjustments). The homogenous surface of the mattress is easy to clean and resistant to disinfecting agents.

Every mattress is made inside Famed facility, undergoes thorough several quality tests to ensure long-lasting, trouble-free use.

Quick and easy way to remove the mattresses

Available base options



Mobile base
H-shaped base equipped with large 125 mm wheels

TABLE TOPS OPTIONS



Total length:

- 4-segments table top 2060 mm
- 5-segments table top 2060 mm
- 6-segments table top 2160 mm

Total width:

- 4-segments table top 550 mm
- 5-segments table top 550 mm
- 6-segments table top 550 mm

Leg segment length:

- 4-segments table top 655 mm
- 5-segments table top 655 mm
- 6-segments table top 765 mm

Table top BL-20.0 technical data (without the head rest segment):

- Total table top length 1735 mm
- Total table top width 545 mm
- Back rest adjustment -25° to +80°



4-segments table top



5-segments table top



6-segments table top



Possibility removal of the table top segments

TECHNOLOGIES AND ACCESSORIES

InteliProtectPlus™



Operating tables in the InteliProtectPlus™ technology are made of high-alloy, corrosion-resistant AISI 316L stainless steel (marked according to European standards as X2CrNiMo17-12-2 / 1.4404) - we use the best stainless steel on the operating table market. Due to the high percentage of nickel, molybdenum in the mixture and low carbon content (<0.03%), 316L steel is characterized by high tolerance to alkaline and acidic environments. This allows its use, among others in the manufacture of surgical instruments. In order to provide additional steel protection, we have also implemented the electropolishing and passivation process. Electropolishing is a process whose purpose is to remove impurities, smooth and restore the surface of the steel to the proper passive layer that protects it against corrosion. Thanks to the InteliProtectPlus™ technology, chromium atoms accumulate on the steel surfaces of our products and their structure becomes harder. In addition, the smoothed and shiny surface guarantees easy disinfection and maintaining the product clean. It also helps to protect it against dust and dirt. Steel surfaces with InteliProtectPlus™ technology are still protected even when the surface gets scratched - in the process of atmospheric oxygen getting to the damaged spot, passivation occurs and the risk of corrosion is excluded. As the only manufacturer of operating tables, the places that were the subject of mechanical treatment are additionally secured with a protective layer of a zinc-based agent.

bbSafe™



Wired remote control with 2.8" screen in IPS technology, which enables quick and precise change of position and real-time preview of setting values. For patient safety, we have designed the **bbSafe™** system - triple protection against accidental change of position and a warning about high energy consumption. Following an adjustable idle time, the remote control automatically switches to standby mode. In addition, there is a two-step process of changing the bed's position - the operator first presses a button corresponding to the category of movement, and then, in the next step, enters information about its direction. Moreover, the **bbSafe™** system warns the user when the movement of the table puts a heavy load on the battery cells - this allows you to predict the power consumption and plan battery charging accordingly. The remote control meets the IP67 standard.

rCover™



The wireless remote control for the operating table is an option for the facilities which require maximum convenience and usability. This controller offers all the features of a wired remote control, a powerful battery pack and a docking station with a wireless charger. It is equipped in **bbSafe™** and **rCover™** technology - built-in protection against interference with other wireless devices that work in the vicinity of the operating room. Part of the system is also a special table and the remote-control pairing procedure and appropriately calculated signal power limit.

pDetach™



Optional control of the operating table located on the column. This additional control module is a removable panel that can be detached from the column and operated like a traditional remote control. It provides full functionality in setting the table position. The panel has a convenient **pDetach™**, magnetic mechanism, which protects it against getting accidentally brought down, while providing a simple and quick disassembly.

AlterSafe™



The alternative drive ensures operation of all electric table adjustment options in the event of control circuit failure or essential power supply failure. Tables with the alternative **AlterSafe™** technology drive have two independently operating drive systems: electro-hydraulic and mechanical-hydraulic. The alternative mechanical-hydraulic **AlterSafe™** system allows for the operation of all functions available through the electrical system. Individual table functions are selected using a lever placed in the table base and are carried out using a foot pump.



Wired **bbSafe™** hand controller



Wireless **rCover™** controller with wireless charger (option)



Column-mounted **pDetach™** control panel (option)



Wired foot controller type WS-36.6 (option)



SU-03 **AlterSafe™** alternative drive (H-base)

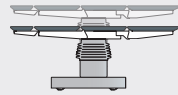


SU-03



Operating table functions executed with use of the hand controller

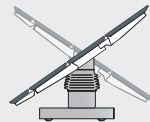
680 to 1080 mm



-40° to +80° (optional)



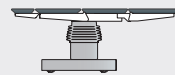
40° 40°



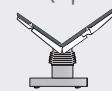
220° Flex (optional)



"0"



100° Reflex (optional)



30°

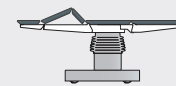


Operating table functions executed manually

-50° to +55°

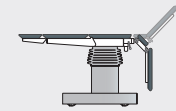
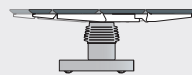


-90° to +30°



150 mm *

340 mm



-90° to +45° **

180°



-40° to +85° (standard)



* in 5 or 6 segment table top

** in 6 segment table top

Technical data	SU-03
Total table top length	2060 mm
Table top width	500 mm
Total table top width	550 mm
Table top height adjustment (without the mattresses)	680 to 1080 mm
Trendelenburg / reverse-Trendelenburg	40°
Lateral tilt	±30°
Back rest segment adjustment	-40° to +85°
Head rest segment adjustment	-50° to +55°
Kidney elevator height adjustment	150 mm
Leg rest segment inclination adjustment (4,5 - section)	-90° to +30°
Leg rest segment inclination adjustment (6 - section)	-90° to +45°
Maximum leg rest segment inclination	180°
Table top longitudinal shift	340 mm
fCharge™ battery power	24 V DC
Maximum permissible load static/dynamic (standard)	350 kg / 200 kg
Maximum permissible load static/dynamic (optional)	350 kg / 250 kg
Total table weight	250 kg
Class of protection against electric shock	I
Type part of the application	B
Protection grade (IP Code in IEC standard 60529)	IP-X4

Table parameters may change.



Famed Żywiec Sp. z o.o.
ul. Fabryczna 1
34-300 Żywiec, Poland

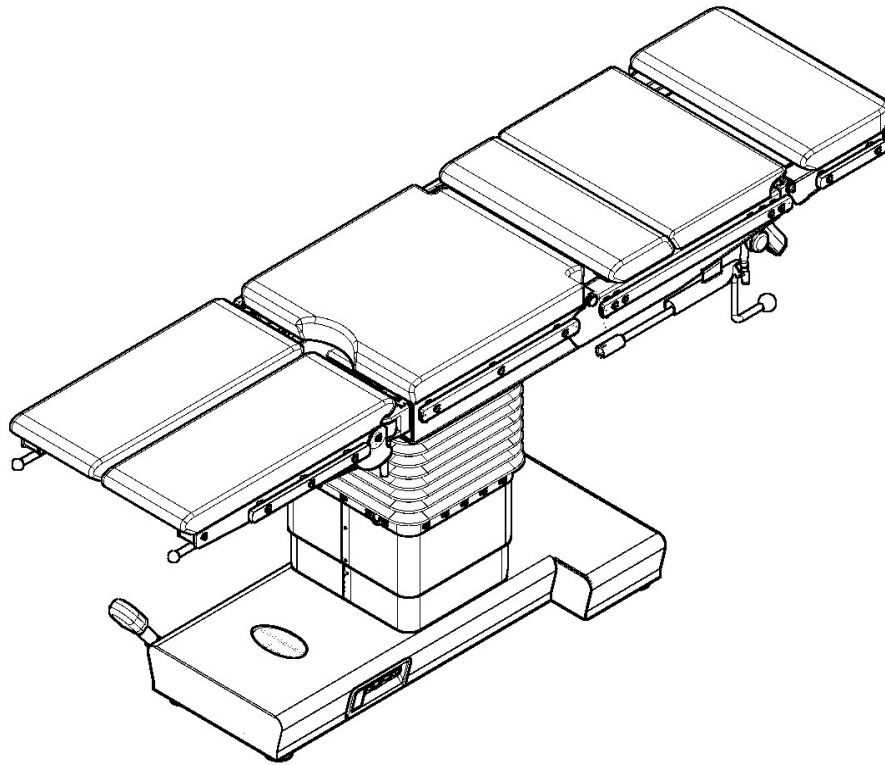
Export department:
tel.: +48 33 866 62 58
fax: +48 33 861 46 78

export@famed.com.pl
www.famed.com.pl

Edycja 173/2022/11/2. Famed Żywiec reserves the right to modify the product and specification as part of technical progress. All illustrations and photos used in this material are for illustrative purposes only and may not reflect the finished product. The people shown in the photos are not medical professionals. They are models. The device presented in the catalog is intended for use in health care facilities by authorized persons after having read the manual (IFU).



USER MANUAL



Operating table SU-03

Alternative name
SU-03 PRIME

Factory no:

.....

Version 39.00

Issuance date: 17.07.2023



FAMED ŻYWIEC Spółka z o.o.

Appendixes: 2, 3, List of Spare Parts.

17	Wired remote control socket
18	Infrared sensor
19	Lever of headrest segment angle adjustment
20	Lever of longitudinal table top shift adjustment
21	Lever of backrest segment angle adjustment
22	Blockade of the longitudinal table top shift adjustment lever
23	Blockade of the backrest segment angle adjustment lever
24	<i>Headrest wedge release button</i>
25	<i>Footrest spread angle locking lever</i>
26	Lever of leg rest support segment angle adjustment
27	Lever of alternative drive pump (option)
28	Lever of change of alternative drive function (option)
29	Left handle
30	Right handle

1.6 Technical Data

- total table top length (four and five segments) 2060 [mm]
- total table top length (six segments) 2160 [mm]
- Tabletop width 500 [mm]
- total table top width 550 [mm]
- minimum table height without mattress 680 [mm]
- maximum table height without mattress 1080 [mm]
- lifting angle of back-rest 85°
- lowering angle of back-rest 40°
- Raised kidney bench height 150 [mm]
- lifting angle of leg segment 30° (table top four- and five-sectional)
- lifting angle of leg segment 45° (+45°) (table top six-sectional)
- lowering angle of foot-support 90°
- spreading angle of foot-supports 180°
- angle of lateral tilt ± 30°
- head section lifting angle up 55°
- head section lifting angle down 50°
- table top longitudinal shift 340 [mm]
- Trendelenburg 40°
- Reverse Trendelenburg 40°
- table weight 250 [kg]
- Allowable dynamic load Variant „A“ 200 [kg]. Variant „B“ 135 [kg]
- Allowable static load Variant „A“ 350 [kg]. Variant „B“ 200 [kg]
- power supply 24 [V]
- battery charging time < 12 [h]
- working time without recharging batteries about 80 cycles
- battery charger built-in
- battery charger power supply 220/230 [V]~50/60 [Hz] (110[V]~, 127[V]~ option)
- electric power
 - standard version 350 [VA]
 - Supermobil version 350 [VA]
 - Alternative drive version 350 [VA]
- class of protection before electric paralysis I
- type of the part application B
- degree of protection before influence of environment IP-X4
- Duty intermittent (2 min of duty/ 18 min of interruption)
- usage time 10 years

*** Two-section headrest parameters:

- headrest uplift angle 50°