



DICHIARAZIONE CE DI CONFORMITÀ

(CE Declaration of conformity)

Il fabbricante
(Manufacturer)

GARLANDO S.p.A.
Via Regione Piemonte, 32
15068 POZZOLO FORMIGARO (AL)

Dichiara che il prodotto
(Declares that follow product)

Stazione multifunzione Toorx serie PLX-6xxx / 7xxx
(Multi function training bench Toorx PLX-6xxx / 7xxx series)

DESCRIZIONE

(Description)

Macchine per allenamento mod.
Training machine model

PLX-6000	CONVERGING CHEST PRESS	PLX-6900	ADDUCTOR MACHINE
PLX-6100	CONVERGING SHOULDER PRESS	PLX-7000	ABDUCTOR MACHINE
PLX-6200	STANDING MULTI FLIGHT	PLX-7100	MULTI HIP
PLX-6300	LAT MACHINE	PLX-7200	SEATED CALF
PLX-6350	ASSISTED PULL-UP/CHIN-UP/DIP	PLX-7300	MULTI PRESS
PLX-6400	PULLEY ROW	PLX-7400	PEC FLY & REAR DELT
PLX-6500	LOW ROW	PLX-7500	LAT MACHINE & PULLEY
PLX-6600	HORIZONTAL LEG PRESS	PLX-7700	BICEPS / TRICEPS CURL
PLX-6700	LEG EXTENSION	PLX-7800	LEG EXTENSION / LEG CURL
PLX-6800	PRONE LEG CURL	PLX-7900	ADDUCTOR / ABDUCTOR MACHINE

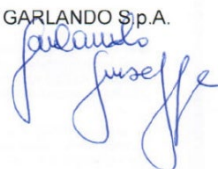
è conforme alle disposizioni dei seguenti regolamenti norme e direttive;
(Complies with regulations set by European rulements, directive and standards)

Regolamento *(Rulement)*: 2023/988

Norme *(Standards)*: EN 957-2 - EN ISO 20957-1 [2013] - classe SC

Pozzolo Formigaro, li 16/01/2025

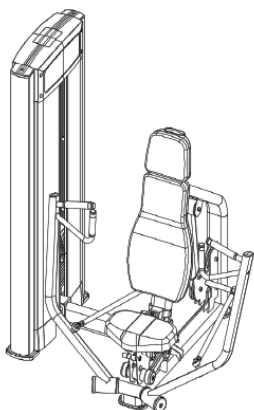
IL FABBRICANTE
(The manufacturer)

GARLANDO S.p.A.


Rev. 02 16/01/2025

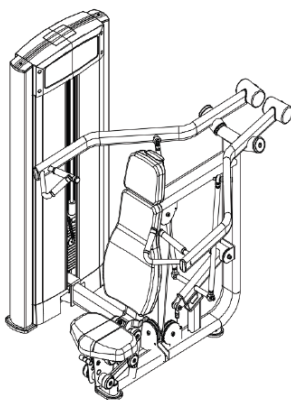
vedere allegato 1 per immagini prodotti -See next page for item pictures

Allegato 1



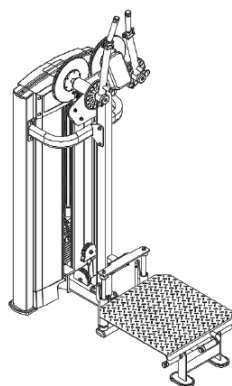
CONVERGING CHEST PRESS

PLX 6000



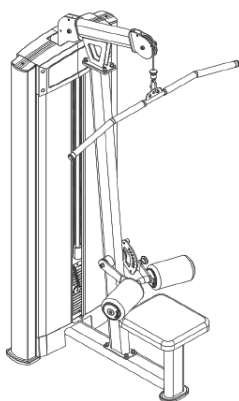
CONVERGING SHOULDER PRESS

PLX 6100



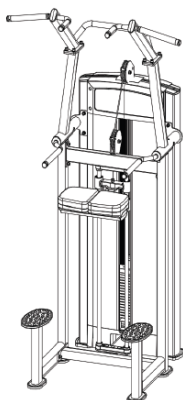
STANDING MULTI FLIGHT

PLX 6200



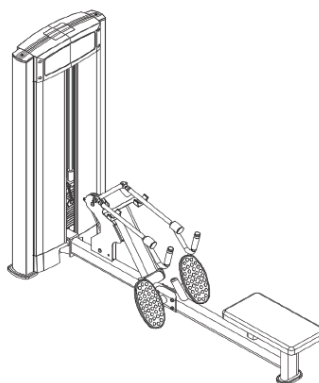
LAT MACHINE

PLX 6300



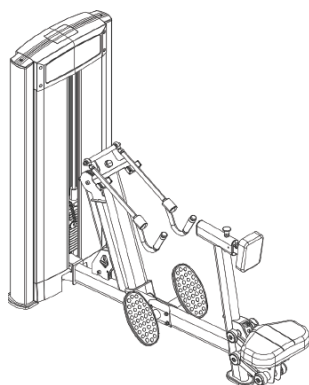
ASSISTED PULL-UP / CHIN-UP / DIP

PLX 6350



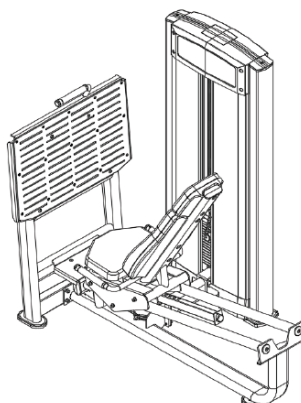
PULLEY ROW

PLX 6400



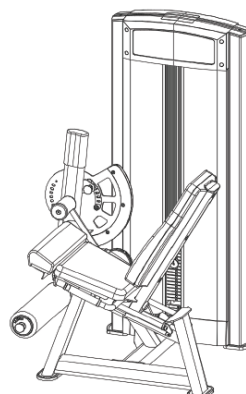
LOW ROW

PLX 6500



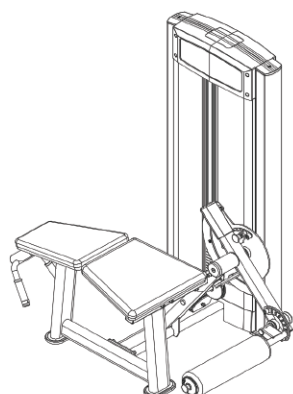
HORIZONTAL LEG PRESS

PLX 6600



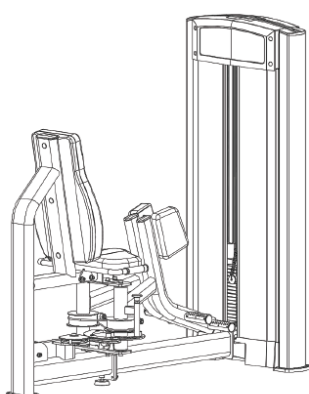
LEG EXTENSION

PLX 6700



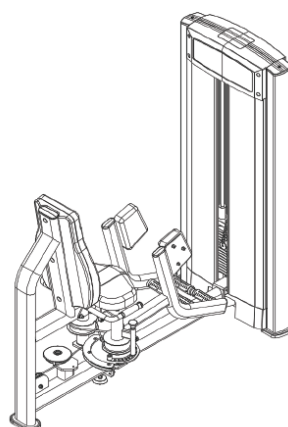
PRONE LEG CURL

PLX 6800



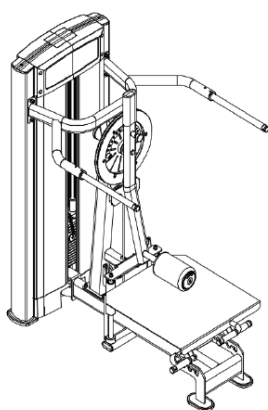
ADDUCTOR MACHINE

PLX 6900



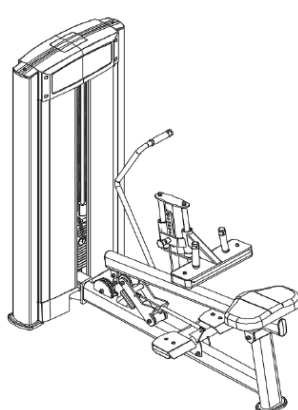
ABDUCTOR MACHINE

PLX 7000



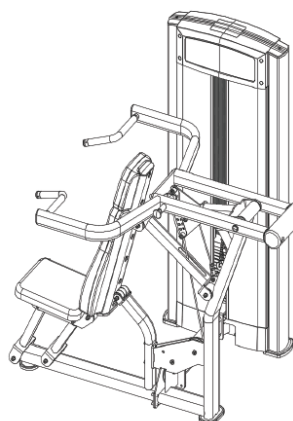
MULTI HIP

PLX 7100



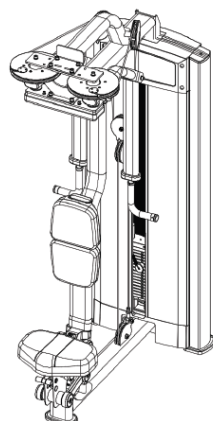
SEATED CALF

PLX 7200



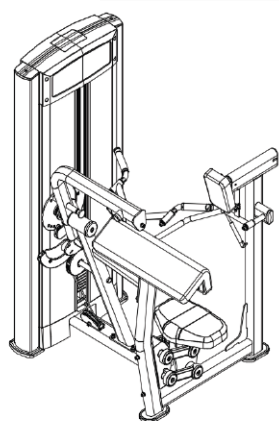
MULTI PRESS

PLX 7300



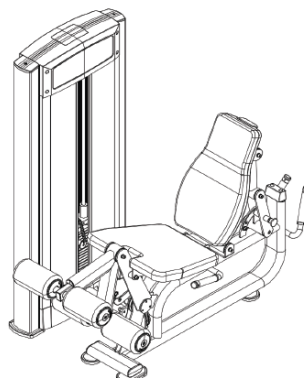
PEC FLY & REAR DELT

PLX 7400



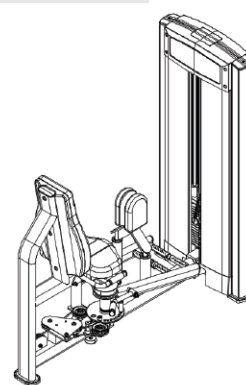
BICEPS / TRICEPS CURL

PLX 7700



LEG EXTENSION / LEG CURL

PLX 7800



ADDUCTOR / ABDUCTOR
MACHINE

PLX 7900