



I.P. "AGENTIA SERVICII PUBLICE"
Departamentul înregistrare și licențiere a unităților de drept

EXTRAS
din Registrul de stat al persoanelor juridice

nr. 21271 din 24.01.2020

Denumirea completă: **Societatea cu Răspundere Limitată «MEDIA SECURITY».**

Denumirea prescurtată: **«MEDIA SECURITY» S.R.L.**

Forma juridică de organizare: **Societate cu Răspundere Limitată.**

Numărul de identificare de stat și codul fiscal: **1006600023985.**

Data înregistrării de stat: **22.05.2006.**

Sediul: **MD-2005, str. Colina Pușkin, 4, mun. Chișinău, Republica Moldova.**

Modul de constituire: **nou creată.**

Obiectul principal de activitate:

- 1 Activitatea în domeniul televiziunii și radiodifuziunii;**
- 2 Publicitate;**
- 3 Tipărirea altor publicații (cărți, broșuri etc);**
- 4 Alte activități de servicii prestate întreprinderilor, neincluse în alte categorii;**
- 5 Tipărirea ziarelor;**
- 6 Montarea și (sau) reglarea, asistența tehnică a sistemelor automate de semnalizare și de stingere a incendiilor, precum și de protecție a clădirilor împotriva fumului și de înștiințare în caz de incendiu;**
- 7 Activitatea particulară de detectiv sau de pază.**

Capitalul social: **5400 lei.**

Administrator: GAINA VICTOR, IDNP 0961107011088.

Asociați:

- 1. GAINA VICTOR , IDNP 0961107011088 , cota 5400.00 lei, ce constituie 100 %.**

Prezentul extras este eliberat în temeiul art. 34 al Legii nr. 220-XVI din 19 octombrie 2007 privind înregistrarea de stat a persoanelor juridice și a întreprinzătorilor individuali și confirmă datele din Registrul de stat la data de: 24.01.2020.

Specialist coordonator
tel. 022-207-838

V. Gutu



Gutu Victoria



33 0290451

Specificații tehnice (F4.1)

[Acest tabel va fi completat de către ofertant în coloanele 3, 4, 5, 7, iar de către autoritatea contractantă – în coloanele 1, 2, 6, 8]

Numărul procedurii de achiziție: ocds-b3wdp1-MD-1597739054485 din 18 august 2020
Denumirea procedurii de achiziție: Sistem video de monitorizare

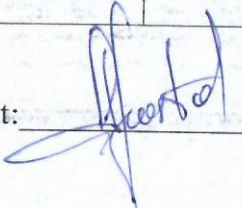
Denumirea bunurilor	Modelul articolului	Țara de origine	Producătorul	Specificarea tehnică deplină solicitată de către autoritatea contractantă	Specificarea tehnică deplină propusă de către ofertant	Standarde de referință
2	3	4	5	6	7	8
Bunuri						
Lotul 1						
Dispozitiv de recepționare și înregistrare a semnalului video	EVS5016S-R	China	Dahua		<p><i>Dispozitiv de recepționare și înregistrare a semnalului video</i></p> <p>Depozitarea datelor în rețea 16 HDD. Memorie: RAM, 4ГБ; Pînă la 512кн (1024Мбит/с) intrare/înregistrare; Reproducere de rețea: 64кн (128Мбит/с); Depozitare: 16HDD (pînă la 8ТБ fiecare), SATA, HDD Enterprise nivel; Interfețe: 1* miniSAS, 1* eSATA/ 1* USB3.0, 2 Giga RJ45 (2*1000Mб port), RS232*1; Suport: RAID 0/1/3/4/5/6/10/50/60/JBOD în teratec</p>	



Dispozitiv de captare a imaginilor video	IPC-HFW5541E- SE	China	Dahua	<p><u>Dispozitiv de captare a imaginilor video</u></p> <p>1/2.7" 5Megapixel scanare progresivă CMOS > H.265 & H.264 codificare cu trei fluxuri > 20 fps@2592 × 1944, 50/60 fps@1080P (1920 × 1080)> WDR (120 dB), Zi/Noapte (ICR), 3D DNR, AWB, AGC, BLC> Monitorizare rețea multiplă: vizualizator Web vizualizatoe, CMS (DSS/PSS) & DMSS> 2.8 mm Obiectiv motorizat (3.6 mm, 6.0 mm opțional) > Max. IR LEDs Length 50 m> Micro SD memorie, IP67</p>
HDD 3 TV	3TB Surveillance Hard Disk	China		<p><u>HDD 3 TV</u> <u>Hard Disk Drive</u></p> <p>Western Digital Violet 3TB Hard Disk de supraveghere Drive - 5400 RPM Class SATA 6 Gb/s 64MB Cache 3.5 Inch - WD30PURX [Versiune veche]</p>
Monitor	Philips V-Line	UE		<p><u>Monitor</u></p> <p>PHILIPS V-Line 193V5LSB2 / 10 18,5", TN, 16,9, 1366x768, 5 mc, 10 m: 1, 200 κd / m2, VGA, VESA, negru</p>
POE switch	2 lan+8port	China		<p><u>Switch POE</u> 2 lan+8port</p>



Switch 5 porturi	TP-LINK TL-SF1105D	USA			<p><i>Switch 5 porturi</i> 5 porturi 10/100 Мбит/с cu conectori RJ45 (auto-MDI/MDIX) Microsoft® Windows® 98SE, NT, 2000, XP, Vista™ или Windows 7, MAC® OS, NetWare®, UNIX® sau Linux.</p>
Cabluri					<p><i>Cabluri</i> Cablu UTP 5 e Cablu canal 25 * 25</p>
Lucrări de montare					<p><i>Lucrări de montare,</i> Lucrări de ajustare și montare a sistemului. Caburile necesare și accesorii de conectare inclusiv materiale de fixare.</p>
Alte accesorii					<p>Conectoare</p>

Semnat:  **Găină Victor**: În calitate de: **Administartor "Media Security" SRL**

Ofertantul: "Media Security" SRL Adresa: **mun.Chișinău, str.Colina Pușkin,4**



Specificații de preț (F4.2)

Numărul procedurii de achiziție: ocds-b3wdp1-MD-1597739054485 din 18 august 2020
Denumirea licitației: Sistem video de monitorizare

Cod CPV	Denumirea serviciilor	Unitatea de măsură	Cantitatea	Preț unitar (fără TVA)	Preț unitar (cu TVA)	Suma fără TVA	Suma cu TVA	Termenul de prestare	Clasificație bugetară (IBAN)
1	2	3	4	5	6	7	8	9	10
	Bunuri								
	Lotul 1								
32323500-8	<i>Sistem video de monitorizare cu accesorii (complet) conform specificației tehnice din formularul 4.1</i>	<i>Unit.</i>	<i>1</i>			<i>137000,00</i>	<i>164400,00</i>	<i>în termen de 15 zile de la data semnării și înregistrării contractului</i>	
	TOTAL								

Semnat:  **Găină Victor**

În calitate de: **Administrator "Media Security" SRL**

Ofertantul: **"Media Security" SRL**

Adresa: **mun.Chișinău, st. Colina Pușkin, 4**



SECRET COMERCIAL

La destinație

Nr.30020/197
20.05.2020

CERTIFICAT

Prin prezență, Sucursala Nr.2 Chişinău B.C. "Moldova Agroindbank" S.A,
cod bancar AGRNMD2X876, confirmă că „MEDIA SECURITY” SRL cod fiscal
1006600023985, este clientul băncii, și dispune de cont IBAN:

COD IBAN : MD48AG000000022512901602 in MDL;

MD21AG000000022512901603 in USD;

MD91AG000000022512901604 in EUR.

Cu respect,


Danuta Stefan
Director sucursala Nr. 2 Chişinău


Gurtovaia Liudmila
Contabil sef adjunct sucursala Nr.2 Chisinau





REPUBLICA MOLDOVA

LICENȚĂ

Seria A MMII

Nr. 052001

Denumirea autorității de licențiere

Camera de Licențiere

Denumirea, forma juridică de organizare, sediul
(adresa juridică) a titularului de licență

**Societatea cu Răspundere Limitată
"MEDIA SECURITY"**

mun. Chișinău, str. Colina Pușkin, 4

Data și numărul certificatului de
înregistrare de stat a titularului de licență

18.05.2016

Numărul de înregistrare
a întreprinderii sau IDNO

1006600023985

Codul fiscal

Genul de activitate, integral sau parțial,
pentru a cărui desfășurare se eliberează licența

*** Montarea și reglarea, asistența tehnică a
sistemelor automate de semnalizare și de
stingere a incendiilor, precum și de
protecție a clădirilor împotriva fumului și
de înștiințare în caz de incendiu ***

Data eliberării licenței

Valabilă pînă la

19. IUN 2021

**Semnătura conducătorului
autorității de licențiere**

Director interimar al Camerei de Licențiere

Octavian BODISTEANU

Notă: Licența este valabilă numai cu anexa autentificată de autoritatea de licențiere,
în care sînt indicate condițiile de licențiere pentru genul de activitate specificat în licența

CERTIFICAT

DE ÎNREGISTRARE A SUBIECTULUI IMPUNERII CU TVA

0608401

SUBIECTUL IMPUNERII ÎNREGISTRAT Зарегистрированный субъект налогообложения	
Denumirea Наименование	SOCIETATEA COMERCIALA MEDIA CENTRU S.R.L.
Data înregistrării Дата регистрации	01.01.2014
Adresa juridică Юридический адрес	SEC.RISCANI Colina Puskin nr.4
Codul fiscal Фискальный код	1006600023985
Numărul de înregistrare ca subiect impozabil cu TVA Номер регистрации в качестве субъекта налогообложения НДС	0608401

Tipul activității economice desfășurate în conformitate cu clasificatorul activităților Тип осуществляемой деятельности согласно статистическому классификатору деятельности	7440
--	------

PRIMA PERIOADĂ FISCALĂ ПЕРВЫЙ НАЛОГОВЫЙ ПЕРИОД	
din 01.01.2014 от	pînă la 31.01.2014 до

PERIOADĂ FISCALĂ ULTERIOARĂ ПОСЛЕДУЮЩИЙ НАЛОГОВЫЙ ПЕРИОД	
din 01.02.2014 от	pînă la 28.02.2014 до

LOC PENTRU ȘTAMPILĂ
МЕСТО ДЛЯ ПЕЧАТИ

I. Șteviș



DATA ANULĂRII ÎNREGISTRĂRII ДАТА АНУЛИРОВАНИЯ РЕГИСТРАЦИИ	
---	--

LOC PENTRU ȘTAMPILĂ
МЕСТО ДЛЯ ПЕЧАТИ



16 HDD Enterprise Video Storage

RAID Support



- High-performance Intel Processor
- 320 Channels at 2 Mbps Video Recording plus 160 Channels Video Transfer, maximum (Dahua Protocol)
- 640 Mbps Incoming/Recording Bandwidth, maximum
- 16 HDDs, SAS/SATA, Hot-Swap
- Supports RAID 0/1/3/4/5/6/10/50/60/JBOD, Hotspare
- Supports Standard iSCSI Protocol for Expanded Storage Space
- Modular Design
- Redundant Power
- Five-year Warranty*

System Overview

The EVS5016S-R Enterprise Video Storage device offers unparalleled storage technology. It is designed and developed to meet the needs of medium-range to high-end IP video surveillance applications; and supports 512 IP camera channels with 1024 Mbps incoming/recording/forwarding bandwidth.

Combined with hot-swap power supplies, fans, and hard disk drives, the EVS offers Enterprise Class availability. This EVS is ideal for a wide range of applications including public safety, transportation, government institutions, hotels, shopping malls, city centers, and financial institutions that demand flexibility, reliability, and centralized storage management.

This EVS is compatible with numerous third-party devices making it the perfect solution for surveillance systems with or without a video management system (VMS). Its open architecture supports multi-user access and is compatible with ONVIF 2.4.

Functions

Modular Design

The Enterprise Video Storage is rack mountable and designed to manage up to 76 channels of digital video for scalability. Powered by Intel® technology, the unit features dual redundant power supplies and a hot-swappable configuration to ensure stability.

Storage Extension Capacity

Local extension, connect to ESS extension storage by mini SAS interface. Extension storage support redundant power and RAID.

RAID Support

The Enterprise Video Storage device provides the processor and RAID enclosure in one chassis, resulting in both space and cost savings. RAID 0/1/3/4/5/6/10/50/60 support is available through a hardware-based RAID controller that removes the loading on the processor that software RAID can bring. A convenient web browser interface is used to manage the RAID controller.

Video Recording Capability

The Enterprise Video Storage device not only stores video data but is capable of simultaneous record, playback, live view and transmission of IP video. The device records 320 channels at 2 Mbps plus 160 channels of video transfer

N+M Hot Standby

The highly reliable redundancy N+M Hot Standby design provides a secure, failover technique ensuring immediate backup. In the event of a system failure, the slave instantly takes over the master ensuring no data is lost.

Automatic Network Replenishment (ANR) Technology

Video storage devices with the ANR function automatically store video data on an IP camera SD card when the network is disconnected. After recovery of the network, the NVR automatically retrieves the video data stored on the camera.

Interoperability

The EVS conforms to the ONVIF (Open Network Video Interface Forum) and to the CGI specifications, ensuring interoperability between network video products regardless of manufacturer.

Environmental

The storage device features a wide operating temperature range of 0° C to +40° C (+32° F to +104° F) and a working altitude range of 60 m below sea level to 5000 m above (196.85 ft to 16,404.20 ft).

Technical Specification

System

Main Processor	64-bit High-performance Intel Processor
Controller	Single Controller
Memory	4 GB by default
Operating System	Embedded LINUX
User Interface	Web-based

Working Mode

Video Stream Mode	512 Channels, maximum 1024 Mbps for incoming/recording/forwarding 64-channel (128 Mbps) network playback
Transfer Mode	Front-end Connection: 4096 Mbps Network Transfer: 4096 Mbps
IP SAN Mode	Storage bandwidth shall not be less than 2.4 Gbps

Storage

HDD Capacity	16 HDDs, Up to 10 TB capacity for each HDD SATA HDD composite connection
Mini-SAS	One (1) Port, for storage extension
HDD Installation	Additional HDD Bracket, HDD Hot-swap, HDD Online Replacement
HDD Mode	Single, RAID 0/1/3/4/5/6/10/50/60 (Enterprise-level HDDs are recommended), JBOD, Hotspare

Storage Management

HDD Manager	Non-working HDD hibernation guarantees sound ventilation, reduced power consumption, and enhanced HDD life HDD bad track mapping to enhance HDD life span
RAID Rebuild	Dynamically adjust RAID rebuild speed to guarantee system load balance
Logic Volume Manager	iSCSI Volume Management, NAS (SMB/NFS/FTP) Volume Management
Snapshot	Snapshot function creates user volume to back data
Extract Frame	Extracting P-frame function Customized extracting period and frame rate setup
Cluster Service	N+M cluster service
Automatic Network Replenishment	After disconnection, system downloads record file from the SD card on the network camera to maintain the full record file
Shortcut RAID Creation	One-button RAID creation

Playback and Backup

Search Mode	Time/Date, Channel, Alarm, MD and Exact Search (accurate to one second)
Playback Function	Play, Pause, Stop, Fast play, Slow play, Full screen, Backup selection, Digital zoom
Backup Mode	USB Device, Network, eSATA Device

Third-party Support

Third-party Support	Dahua, AEBell, Arecont, AXIS, Dynacolor, HIKVISION, LG, Panasonic, PSIA, Samsung, Sony, Vivotec
---------------------	--

Recording

IP Camera Input	512 Channels
Record Rate	640 Mbps
Video Recording Performance	
Dahua Protocol	320 ch at 2 Mbps plus 160 ch video transfer
ONVIF Protocol	200 ch at 2 Mbps plus 50 ch video transfer
Image Recording Performance	150 ch (image size 500 kb), no video recording
Record Mode	Manual, Schedule (Regular, Continuous), Motion Detection, Alarm
Record Interval	1 min to 120 min (default 60 min) Pre-record 1 s to 30 s, Post-record 10 s to 300 s, I-frame storage by period.

Auxiliary Interface

USB	One (1) USB 3.0
Multiplex Interface	One (1) USB 2.0 plus eSATA multiplex interface
RS232	One (1) Port, for PC communication and keyboard

Network

Interface	Two (2) Data Ports, RJ-45 (10/100/1000 Mbps)
Network Mode	Multi-address, Fault-tolerance, Load balance, Link aggregation
Network Function	HTTP, HTTPS, TCP/IP, IPv4/IPv6, UPnP, RTP, RTCP, RTSP, UDP, SMTP, NTP, DHCP, DNS, IP Filter, PPPoE, DDNS, iSCSI, SMB, NFS, FTP, Alarm Server, IP Search
Max. User Access	128 Users
Smart Phone	IOS, Android
Interoperability	ONVIF 2.4, CGI Conformant

Electrical

Power Supply	100 VAC to 240 VAC, 47 to 63 Hz 1 + 1 Redundant Power
Power Consumption	< 200 W (with HDD)

Environmental

Working Conditions	0° C to +40° C (+32° F to +104° F), 10% to 80% RH
Storage Conditions	-20° C to +70° C (-4° F to +158° F), 5% to 90% RH
Working Altitude	-60.0 m to 3000.0 m (196.85 ft to 9842.52 ft)

Construction

Chassis	1.20 mm extra-thick, hot-dip galvanized steel, High accuracy aluminum alloy slider, Self-developed, patented, removable HDD bracket
Dimensions (W x D x H)	3U, 484.60 mm x 473.60 mm x 133.20 mm (19.1 in. x 18.65 in. x 5.24 in.)
Net Weight	11.0 kg (24.30 lb), without HDD
Gross Weight	16.0 kg (35.30 lb)
Installation	Standard 19-in. rack installation

Certifications

CE	EN55022, EN55024, EN50130-4, EN60950-1
Electromagnetic Compatibility	FCC CFR 47 Part 15 Subpart B ANSI C63.4-2009
UL	UL 60950-1 CAN/CSA C22.2 No.60950-1

Ordering Information

Type	Part Number	Description
16-HDD Video Storage Device	DHI-EVS5016S-R	16-HDD Enterprise Video Storage

DH-IPC-HFW5541E-SE

5MP IR Fixed-focal Bullet WizMind Network Camera



Launched by Dahua Technology, Dahua WizMind is a full portfolio of solutions composed of project-oriented products including IPC, NVR, PTZ, XVR, Thermal and software platform which adopts industry-leading deep learning algorithms. Focusing on customer's requirements, WizMind provides precise, reliable and comprehensive AI solutions for verticals.

Series Overview

With starlight solution and deep learning algorithm, Dahua WizMind 5 Series network camera has various intelligent functions, including face capture, perimeter protection and people counting, which greatly improve the accuracy of video analysis. The series camera supports dust-proof function, waterproof function and vandal-proof function, complying with the standards of IP67 and IK10 (Supported by some select models).

Functions

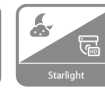
Face Detection

Dahua Face Detection technology can detect the face in the image. With deep learning algorithm, the technology supports detecting, tracking, capturing and selecting the best face image, and then outputs face snapshot.

Perimeter Protection

With deep learning algorithm, Dahua Perimeter Protection technology can recognize human and vehicle accurately. In restricted area (such as pedestrian area and vehicle area), the false alarms of intelligent detection based on target type (such as tripwire, intrusion, fast moving, parking detection, loitering detection and gathering detection) are largely reduced.

- 1/2.7" 5Megapixel progressive scan CMOS
- ROI, SMART H.264+/H.265+, flexible coding, applicable to various bandwidth and storage environments
- 20 fps@2592 × 1944, 50/60 fps@1080P (1920 × 1080)
- WDR (120 dB), Day/Night (ICR), 3D DNR, AWB, AGC, BLC
- Multiple network monitoring: Web viewer, CMS (DSS/PSS) & DMSS
- 2.8 mm fixed lens (3.6 mm, 6.0 mm optional)
- Max. IR LEDs Length 50 m
- Micro SD memory, IP67



People Counting

With deep learning algorithm, Dahua People Counting technology can track and process moving human body targets to realize the accurate statistics of enter No., leave No., and In Area No. Working with management platform, it outputs reports to meet your requirements.

Protection (IP67, wide voltage)

IP67: The camera passes a series of strict test on dust and soak. It has dust-proof function, and the enclosure can work normal after soaking in 1 m deep water for 30 minutes.

Wide voltage: The camera allows $\pm 30\%$ (for some power supplies) input voltage tolerance (wide voltage range), and it is widely applied to outdoor environment with instable voltage.

ePoE

Dahua ePoE technology provides a new way to accomplish long distance transmission between IP camera and network switch. It allows more flexible surveillance system design, improves reliability and saves construction and wiring cost.

Technical Specification

Camera

Image Sensor	1/2.7" 5Megapixel progressive scan CMOS
Max. Resolution	2592 (H) × 1944 (V)
RAM/ROM	512 MB/128 MB
Scanning System	Progressive
Electronic Shutter Speed	Auto/Manual, 1/3 s–1/100000 s
S/N Ratio	Yes
Minimum Illumination	0.005 Lux@F1.6
Illumination Distance	Distance up to 50 m (164 ft)
Illuminator On/Off Control	Auto/Manual
Illuminator Number	2 (IR LED)
Pan/Tilt/Rotation Range	Pan: 0°–360°; Tilt: 0°–90°; Rotation: 0°–360°

Lens

Lens Type	Fixed-focal				
Mount Type	Board-in				
Focal Length	2.8 mm, 3.6 mm, 6.0 mm				
Max. Aperture	F1.6				
Angle of View	H: 102°, V: 71°/H: 84°, V: 58°/H: 51°, V: 37°				
Aperture Type	Fixed				
Close Focus Distance	0.9 m (2.95 ft)/1.6 m (5.25 ft)/3.1 m (10.17 ft)				
DORI Distance	Lens	Detect	Observe	Recognize	Identify
	2.8mm	56m(184ft)	22m(72ft)	11m(36ft)	6m(20ft)
	3.6mm	80m(262ft)	32m(105ft)	16m(52ft)	8m(26ft)
	6.0mm	120m(394ft)	48m(157ft)	24m(79ft)	12m(39ft)

Artificial Intelligence

Face Detection	Face detection; track; optimization; snapshot; face enhancement; face exposure; face matting setting; face, single inch photo; three snapshot methods: real-time snapshot, optimization snapshot, quality priority; face angle filter; optimization time setting
Perimeter Protection	Tripwire; intrusion; fast moving (the three functions support the classification and accurate detection of vehicle and human); loitering detection; people gathering; parking detection
People Counting	Support the counting of enter number, leave number, and pass number, and displaying and outputting yearly/monthly/daily reports. Support the counting of number in area, and 4 rules configuration. Count number of people or stay time and link alarm. Support queue management, and 4 rules configuration. Count number of people or stay time and link alarm

General Intelligence

Event Trigger	Motion detection, Video tampering, Scene changing, Network disconnection, IP address conflict, Illegal Access, Storage anomaly
General Intelligence	Object Abandoned/Missing
Heat Map	Yes

Video

Compression	H.265,H.264,H.264B,H.264H, MJPEG (only supported by sub stream)
Smart Codec	Smart H.265+/ Smart H.264+
Streaming Capability	3 Streams
Resolution	2592 × 1944/2688 × 1520/2560 × 1440/2304 × 1296/1080P (1920 × 1080)/1.3M (1280 × 960)/720P (1280 × 720)/D1 (704 × 576/704 × 480)/VGA (640 × 480)/CIF (352 × 288/352 × 240)
Frame Rate	Main Stream: 2592 × 1944 (1 fps–20 fps) 2560 × 1440 (1 fps–25/30 fps) 1920 × 1080 (1 fps–50/60 fps)
	Sub Stream: D1 (1 fps–20/30 fps) D1 (1 fps–50 fps)
	Third Stream: 1080P (1 fps–17 fps)
Bit Rate Control	CBR/VBR
Bit Rate	H.264: 32 Kbps–8192 Kbps H.265: 19 Kbps–8192 Kbps
Day/Night	Auto(ICR)/Color/B/W
BLC Mode	BLC/HLC/WDR (120 dB)
White Balance	Auto/Natural/Street Lamp/Outdoor/Manual
Gain Control	Auto/Manual
Noise Reduction	3D DNR
Motion Detection	Off/On (4 Zone, Rectangle)
Region of Interest	Off/On (4 Zone)
Smart Illumination	Yes
Defog	Yes
Flip	0°/90°/180°/270°
Mirror	Off/On
Privacy Masking	Off/On (4 Area, Rectangle)

Alarm

Alarm Event	No SD card;SD card full;SD card error;network disconnection;IP conflict;illegal access;voltage detection;motion detection;video tampering;scene changing;intrusion;tripwire;abandoned object;missing object;fast moving;parking detection;loitering detection;people gathering;people counting;face detection;People counting in area;Stay alarm;People No. exception detection;Queue Management
-------------	--

Network

Network	RJ-45 (10/100 Base-T)
SDK and API	Yes
Protocol	IPv4;IPv6;HTTP;HTTPS;TCP;UDP;ARP;RTP;RTSP;RTCP;RTMP;SMTP;FTP;SFTP;DHCP;DNS;DDNS;QoS;UPnP;NTP;Multicast;ICMP;IGMP;NFS;PPPoE;802.1x;SNMP
Interoperability	ONVIF (Profile S/Profile G/Profile T), CGI, Milestone, Genetec, P2P
User/Host	20 Users
Storage	NAS;FTP;SFTP;Dahua Cloud Micro SD card 256 GB

Browser	IE (versions newer than IE8), Chrome, Firefox, Safari (versions newer than Safari 12)
Management Software	Smart PSS, DSS, DMSS
Mobile Phone	iOS, Android

Certifications

Certifications	CE-LVD: EN60950-1 CE-EMC: Electromagnetic Compatibility Directive 2014/30/EU FCC: 47 CFR FCC Part 15, Subpart B UL/CUL: UL60950-1 CAN/CSA C22.2 No.60950-1-07
----------------	--

Power

Power Supply	DC 12V (±30%), PoE (802.3af)
Power Consumption	<6.8W

Environmental

Operating Conditions	-40°C to +60°C (-40°F to +140°F)/Less than 95% RH
Storage Conditions	-40°C to +60°C (-40°F to +140°F)
Protection Grade	IP67

Construction

Casing	Metal, plastic
Dimensions	182.3 mm × 70.0 mm × 70.0 mm (7.18" × 2.76" × 2.76")
Net Weight	0.47 kg (1.04 lb)
Gross Weight	0.59 kg (1.30 lb)

Ordering Information

Type	Part Number	Description
5MP camera	DH-IPC-HFW5541EP-SE	5MP IR Fixed-focal Bullet WizMind Network Camera,WDR, PAL
	DH-IPC-HFW5541EN-SE	5MP IR Fixed-focal Bullet WizMind Network Camera,WDR, NTSC
	IPC-HFW5541EP-SE	5MP IR Fixed-focal Bullet WizMind Network Camera,WDR, PAL
	IPC-HFW5541EN-SE	5MP IR Fixed-focal Bullet WizMind Network Camera,WDR, NTSC
Accessories (optional)	PFA121	Junction box
	PFA152-E	Pole Mount
	PFA151	Corner Mount

Accessories

Optional:



PFA121
Junction box



PFA152-E
Pole Mount



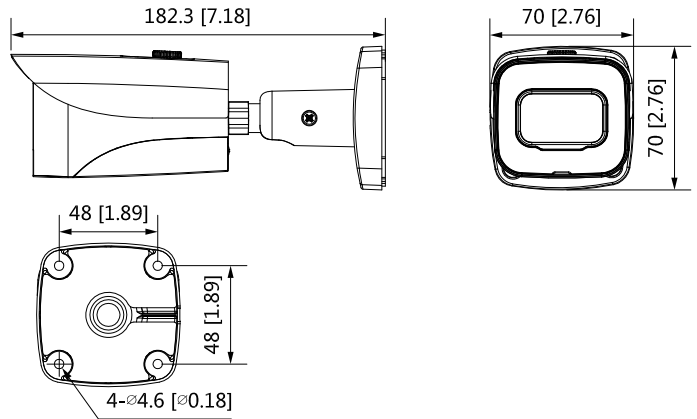
PFA151
Corner Mount



LR1002
ePoE Over Coax
Converter

Junction Mount	Pole Mount	Corner Mount
PFA121	PFB121 + PFA152	PFB121 + PFA151

Dimensions (mm[inch])





MEDIA SECURITY SRL

SECURITY & COMMUNICATION SYSTEMS
WE PROVIDE THE BEST SECURITY SOLUTION

Declarație

Prin prezenta declarație, compania “Media Security ” SRL, confirmă perioada și condițiile de garanție pentru echipamentele livrate și a lucrărilor de montare și punere în funcțiune a sistemului video de monitorizare.

Termenul de garanție, constituie 2 ani de la data semnării actului de primire predare a bunurilor.

Administrator

Victor GĂINĂ



Rechizitele companiei:
Firma “MEDIA SECURITY” SRL
Tel (+373-22) 270 212
GSM: (+373) 69 870 803
E-mail: office@media-security.eu
ms@media-security.eu

www.media-security.eu
adresa juridică str. Colina Pușkin 4, MD-2005
adresa de facto bld. Dimitrie Cantemir 5/4, MD-2001
V-Continental Business Center
Chisinau, Republica Moldova
24x24 call center
022 22 11 11

BC “MOLDOVA AGROINDBANK” SA
IBAN: MD48AG00000022512901602
Codul băncii: AGRNMD2X876
BC”EXIMBANK”SA
IBAN: MD50EX000000225109179MD
Codul băncii: EXMMMD22422
Codul fiscal 1006600023985
Cod TVA 0608401



MEDIA SECURITY SRL

SECURITY & COMMUNICATION SYSTEMS
WE PROVIDE THE BEST SECURITY SOLUTION

Declarație

Prin prezenta declarație, Compania "Media Security" SRL confirmă experiența similară de prestare calitativă a serviciilor de livrare, montare, punere în funcțiune și mentenanță a sistemelor de supraveghere video.

Ca dovadă, Vă prezentăm unele din proiectele realizate de către Compania Media Security, începând cu anul 2014 și pînă în prezent.

An inițiere	An finalizare	Beneficiari	Sisteme instalete
03.2018	03.2019	<i>PREȘEDINȚIA RM</i>	Sisteme supraveghere video, control acces, efracție, stingere și semnalizare incendiu,
2014	2016	<i>PARLAMENTUL RM</i>	sonorizare, sisteme de conferință și altele
02.2019	04.2019	<i>Chemonics SRL</i>	
2014	prezent	<i>Administrația de Stat a Drumurilor</i>	Sisteme supraveghere video, GPS, ajustare soft

Administrator



Victor GĂINĂ

Rechizitele companiei:
Firma "MEDIA SECURITY" SRL
Tel (+373-22) 270 212
GSM: (+373) 69 870 803
E-mail: office@media-security.eu
ms@media-security.eu

www.media-security.eu
adresa juridică str. Colina Pușkin 4, MD-2005
adresa de facto bd. Dimitrie Cantemir 5/4, MD-2001
V-Continental Business Center
Chișinău, Republica Moldova
24x24 call center
022 22 11 11

BC "MOLDOVA AGROINDBANK" SA
IBAN: MD48AG000000022512901602
Codul băncii: AGRNMD2X876
BC "EXIMBANK" SA
IBAN: MD50EX0000000225109179MD
Codul băncii: EXMMMD22422
Codul fiscal 1006600023985
Cod TVA 0608401



MEDIA SECURITY SRL

SECURITY & COMMUNICATION SYSTEMS
WE PROVIDE THE BEST SECURITY SOLUTION

Declarație

Prin prezenta declarație, compania “Media Security” SRL, confirmă că deține echipamentul și tehnicile specializate necesare pentru executarea lucrărilor de montare a sistemului de monitorizare video.

Administrador

Victor GĂINĂ



Rechiștele companiei:
Firma “MEDIA SECURITY” SRL
Tel (+373-22) 270 212
GSM: (+373) 69 870 803
E-mail: office@media-security.eu
ms@media-security.eu

www.media-security.eu
adresa juridică str. Colina Pușkin 4, MD-2005
adresa de facto bd. Dimitrie Cantemir 5/4, MD-2001
V-Continental Business Center
Chișinău, Republica Moldova
24x24 call center
022 22 11 11

BC “MOLDOVA AGROINDBANK” SA
IBAN: MD48AG000000022512901602
Codul băncii: AGRNMD2X876
BC “EXIMBANK” SA
IBAN: MD50EX0000000225109179MD
Codul băncii: EXMMMD22422
Codul fiscal 1006600023985
Cod TVA 0608401

REPUBLICA MOLDOVA

Ministerul Educației, Culturii și Cercetării

DIPLOMĂ
DE STUDII PROFESIONALE

INVATĂMÂNTUL PROFESIONAL TEHNIC POSTSECUNDAR

În baza hotărârii Comisiei de evaluare și calificare din
27 iunie 2019

PAIU MIHAI

numărul de identificare 2008048007283

înmatriculat în anul 2015, absolvent al Instituției de Învățământ

Centrul de Excelență în Energetică și Electronică,

a obținut calificarea Tehnician exploatarea și deservirea
tehnicii de calcul
specialitatea Calculatoare



cu media generală 7,72 (șapte,72)

Președintele Comisiei Ana Țurcan
Director Vasile Vrinceanu

Eliberată la 01.07.2019

de înregistrare 419001252624 Semnătura titularului

1111000029782

REPUBLIC OF MOLDOVA

Ministry of Education, Culture and Research

DIPLOMA
OF PROFESSIONAL STUDIES

POST-SECONDARY TECHNICAL VOCATIONAL EDUCATION AND TRAINING

On the basis of the Assessment and Qualification Board from
27 June 2019

PAIU MIHAI

personal number 2008048007283

enrolled in the year of 2015, graduate of Educational Institution

Center of Excellence in Energetics and Electronics,

has been awarded the qualification Technician Operation and
Maintenance of Computing
speciality Computers



with the average mark 7,72 (seven,72)

Chairman of the Board Ana Țurcan
Director Vasile Vrinceanu

Issued on 01.07.2019

Registration number 419001252624 Signature of Holder



REPUBLICA MOLDOVA

Universitatea Tehnică

Instituția de învățământ superior

a Moldovei

Facultatea de Calculatoare Informatică
și Microelectronica

DIPLOMĂ

Seria AS

Nr. 001542

În baza hotărârii Comisiei pentru examenul de licență
din 20 iunie 1997

Boboc Vladimir

numele, prenumele

Înmătriculat în anul 1990

a obținut Diploma de studii superioare universitare
cu media 6.21

în profilul *Radioelectronica*

specialitatea *Calculatoare*

calificarea *Specialist în calculatoare*



ai Comisiei

Eliberată la 5

iunie 1997

1997

Nr. 5

semnătura titularului

S.C. „VASCRI” SRL

CENTRUL DE INSTRUIRE ÎN DOMENIUL SECURITĂȚII ȘI SĂNĂTĂȚII ÎN MUNCĂ

Seria. SSM

Nr. 075

CERTIFICAT **DE CALIFICARE PROFESIONALĂ**

*Se acordă D-lui/nei **Apostol Lilian**, care la 29 ianuarie 2020 a absolvit cursul de instruire în domeniul securității și sănătății în muncă corespunzător nivelului unu de pregătire și a susținut examenul de verificare a competențelor profesionale .*

Prezentul certificat se eliberează în baza procesului - verbal nr.03/20 din 29.01.2020

Președintele comisiei de Examinare: Guja Vasile

Semnătura

Data eliberării 29.01.2020

Certificatul este valabil pînă la 29 ianuarie 2023

Notă: Programa Cursurilor de instruire este aprobată de Ministerul Educației prin Ordinul nr.12/15-2142 din.17.05.2017.



S.C. „VASCRI” SRL

CENTRUL DE INSTRUIRE ÎN DOMENIUL SECURITĂȚII ȘI SĂNĂTĂȚII ÎN MUNCĂ

Seria. SSM

Nr. 076

CERTIFICAT DE CALIFICARE PROFESIONALĂ

Se acordă D-lui/nei Ceban Oleg, care la 29 ianuarie 2020 a absolvit cursul de instruire în domeniul securității și sănătății în muncă corespunzător nivelului unu de pregătire și a susținut examenul de verificare a competențelor profesionale .

Prezentul certificat se eliberează în baza procesului-verbal nr.03/20 din 29.01.2020

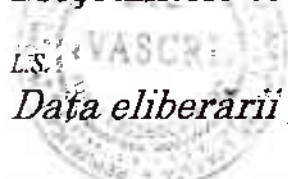
Președintele comisiei de Examinare: Guja Vasile

Semnătura

Data eliberării 29.01.2020

Certificatul este valabil pînă la 29 ianuarie 2023

Notă: Programa Cursurilor de instruire este aprobată de Ministerul Educației prin Ordinul nr. 12/15-2142 din. 17.05.2017.



S.C. „VASCRI” SRL

CENTRUL DE INSTRUIRE ÎN DOMENIUL SECURITĂȚII ȘI SĂNĂTĂȚII ÎN MUNCĂ

Seria. SSM

Nr. 076

CERTIFICAT **DE CALIFICARE PROFESIONALĂ**

Se acordă D-lui/nei Ceban Oleg, care la 29 ianuarie 2020 a absolvit cursul de instruire în domeniul securității și sănătății în muncă corespunzător nivelului unu de pregătire și a susținut examenul de verificare a competențelor profesionale .

Prezentul certificat se eliberează în baza procesului-verbal nr.03/20 din 29.01.2020

Președintele comisiei de Examinare: Guja Vasile

Guja Vasile
Semnătura

L.ș.

Data eliberării 29.01.2020

Certificatul este valabil pînă la 29 ianuarie 2023

Notă: Programa Cursurilor de instruire este aprobată de Ministerul Educației prin Ordinul nr.12/15-2142 din 17.05.2017.

