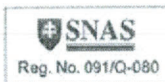




We cover
credibility

QSCert, spol. s.r.o.
Organism de Certificare Sisteme de Management
E.P. Vážanského 1, 602 01 Zlín, Slovak Republic



prin acest

CERTIFICAT

se confirmă faptul că Sistemul de Management al Calității al

KRONEMAG MILLENIUM SRL

Str. Stefan cel Mare nr.327 M, Sat Harman, Comuna Harman, Judetul Brasov, România

a fost stabilit și implementat în mod corespunzător, iar organizația îl aplică în conformitate cu standardul

ISO 9001:2015

pentru următoarele domenii de activitate:

Proiectarea, fabricarea, comercializarea de stalpi iluminat, corpuri de iluminat și a produselor, echipamentelor, dotarilor și echiparilor stradale, parcuri și grădini. Import, reprezentare, comercializare, distribuție și servicii pentru produse destinate amenajărilor exterioare.

Comercializare, instalare, întreținere și servicii produse și echipamente similare pentru și de la terți.

Locații certificate:

Str. Stefan cel Mare nr.327 M, Sat Harman, Comuna Harman, Judetul Brasov, România

Pe baza auditului de recertificare, Raport de Audit Nr. 3215.2/2021, s-a dovedit că sistemul de management îndeplinește cerințele standardului menționat mai sus.

Număr certificat: Q - 9248/21
Data certificării inițiale: 30.03.2018
Data emiterii: 13.04.2021
Data expirării: 29.03.2024



Ing. Marcel Sluch
Chief executive

Acest certificat este valabil doar în
cazul publicării acestuia pe www.qscert.com

Kronemag Millennium srl
România - Brasov - Harman
Str. Stefan cel Mare, 327M - 507085



We cover
credibility

QSCert, spol. s r.o.
Organism de Certificare Sisteme de Management
E-P Vojňanského 1, 902 01 Zelená, Slovak Republic



prin acest

CERTIFICAT

se confirmă faptul că Sistemul de Management de Mediu al

KRONEMAG INDUSTRIES SRL

Str. Stefan cel Mare nr.327 M, birou 2, Sat Harman, Comuna Harman, Judetul Brasov,
România

a fost stabilit și implementat în mod corespunzător, iar organizația îl aplică
în conformitate cu standardul

ISO 14001:2015

pentru următoarele domenii de activitate:

Proiectarea și fabricarea de stalpi de iluminat, corpuri pentru iluminat și a produselor pentru mobilier urban, stradal, parc și gradina. Proiectarea și fabricarea de construcții metalice și parti componente ale structurilor metalice. Proiectarea și fabricarea produselor metalice obținute prin deformare plastică. Tratarea și acoperirea metalelor. Operațiuni de mecanica generală. Fabricarea ambalajelor usoare din metal. Fabricarea altor articole din metal (rafturi, carucioare, suporturi etc.). Alte activități de producție și servicii conexe (garduri metalice și de protecție, indicatoare de informare stradală).

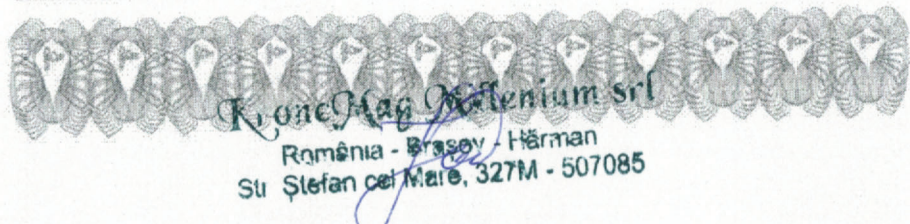
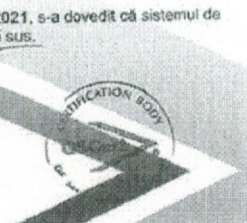
Locații certificate:
Str. Stefan cel Mare nr.327 M, birou 2, Sat Harman, Comuna Harman, Judetul Brasov,
România

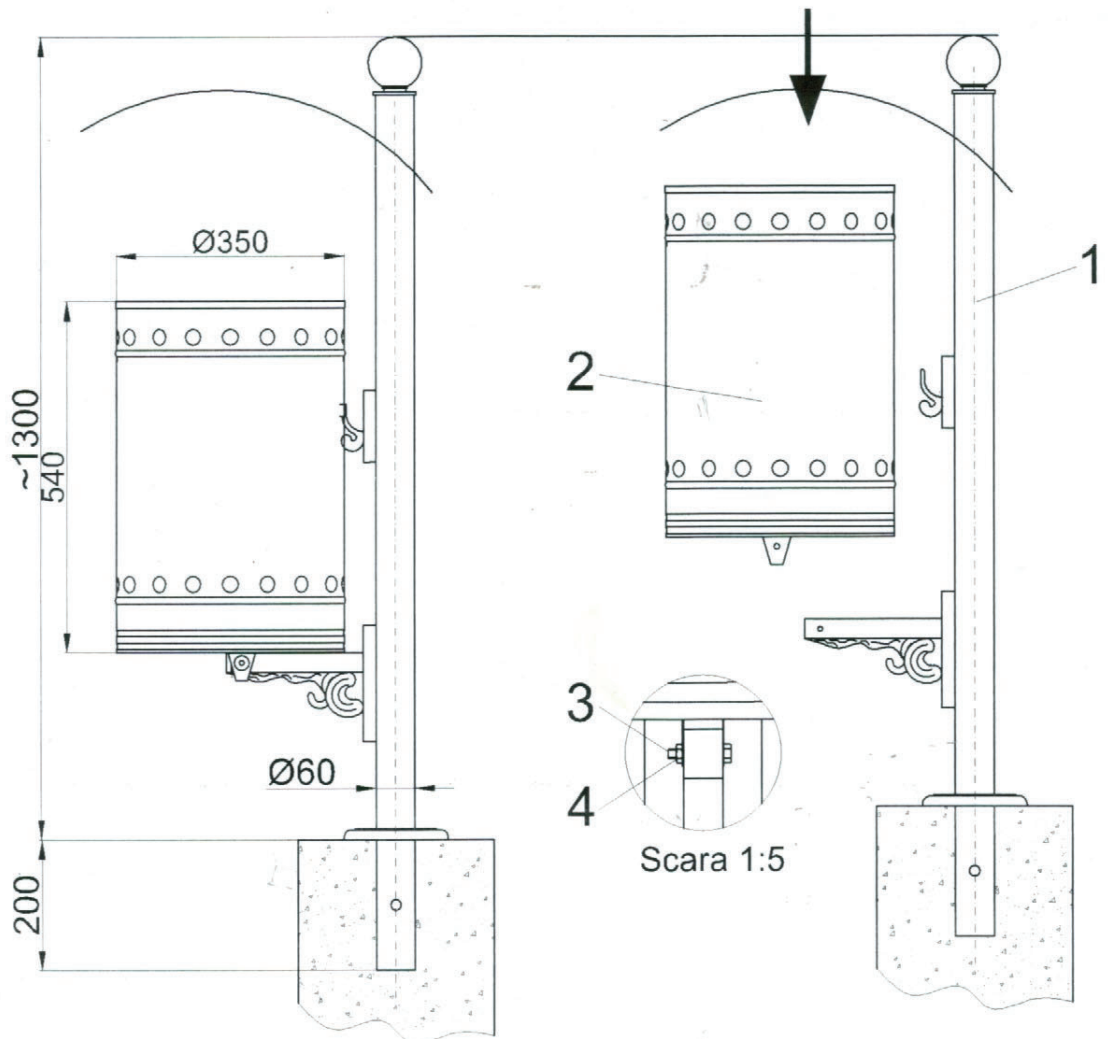
Pe baza auditului de recertificare, Raport de Audit Nr. 3216.2/2021, s-a dovedit că sistemul de management îndeplinește cerințele standardului menționat mai sus.

Număr certificat:	E - 9249/21
Data certificării inițiale:	30.03.2018
Data emiterii:	13.04.2021
Data expirării:	29.03.2024

Acest certificat este valabil doar în
cazul publicării acestuia pe www.qscert.com

Ing. Marcel Sluch
Chief executive





FT00274				
Nr. Crt.	Cod produs	Componente	Caritate	U.M.
1	001590	Stalp cu capac si ornamente de fonta URBAN 1.C - Nevopsit	1	buc
2	000567	Recipient Metalic RM02 - Zincat	1	buc
3	001050	Șurub Cap Hex M8x40	1	buc
4	001157	Piuliță hexagonală M8	1	buc
5	-	Finisare - Vopsire în câmp electrostatic, grund zinc și culoare RAL		
Proiectat	KroneMag		Planșa 1/1	U.M. [mm]
Desenat	KroneMag Proiectare		Format	
Verificat	B.A.Z.		A4(210*297)	
Aprobat	B.Z.	Data: 2022	Scara 1:10	
		URBAN 1.C		
		Ultima modificare 08.11.2022 BAZ		

KroneMag Millennium srl
 Str. Ștefan cel Mare, 327M, 607085
 +40.268.477.587
 office@kronemag.com

Schiță în proprietatea KroneMag. Orice folosire neautorizată contravine legii.

DESCRIEREA TEHNICĂ

Coș de gunoi

Coș de gunoi, compus din:

1) Pilon din oțel cu diametrul de 60 mm, lungimea de 1300 mm, prevăzut cu bilă decorativă la partea superioară, dar și cu capac decorativ, fixat pe pilon. La partea inferioară a pilonului va fi fixat un capac decorativ la nivelul solului. Toate elementele metalice vor fi tratate anticoroziv și vopsite polimeric de cel puțin 2 ori. Pilonul va fi fixat în beton la adâncimea de 200 mm.

2) Recipient cilindric (cu găuri și dungi de rezistență) cu volumul de 50 l, confecționat din tablă zincată cu grosimea de 1,8 mm, vopsit polimeric de cel puțin 2 ori. Recipientul va fi fixat de pilon cu sisteme de prindere speciale confecționate din fontă. Dimensiuni recipient: Diametru – 350 mm, H – 540 mm ,Greutate – 20 kg



KRONEMAG MILLENIUM srl.

RO - Brasov - Harman - 507085
Oltului St. no.40 ; Stefan cel Mare St. no. 327M
RO23179283 ; JO8/243/2008

Tel. : 0040.268.477.587

0040.268.477.585

Fax : 0040.268.477.586

office@kronemag.eu

www.KroneMag.eu



Urban & Garden Furniture, Lighting Posts - Outdoor Products

Warranty Certificate

This warranty certificate applies for **URBAN 1.C.MD** This warranty covers the defects in material or workmanship under normal use during the Warranty Period.

1. WHAT IS COVERED BY THIS DEFECTS WARRANTY POLICY

KroneMag warrants that new products purchased either from KroneMag direct or through authorized distributors, which are still in the possession of the initial purchaser, will be free from defects for the warranty period, subject to the terms of this Policy.

A product may be defective if Street Furniture finds that it is non-conforming in material or workmanship and if the non-conformance materially impairs the performance of the product having regard to the purpose for which it was designed and the limitations stated below.

KroneMag will, in its unfettered discretion, either repair or replace the product.

2. INSTALLATION, USE AND OPERATION INSTRUCTIONS

When assembling / installing the products, tools corresponding to each screw, nut, hexagon, etc. will be used. Do not use universal tools (patent, pliers) for mounting, which lead to damage to the screw, thread, hexagon or scratching of the product.

The operating ambient temperature must be between 4 and max. 50 ° C (when stored between -25 and 75 ° C).

Humidity between 0 and 90% without condensation. Environment free of highly corrosive agents and vibrations.

For cast iron / aluminum fittings when the temperature drops below 4 ° C, we imperatively recommend emptying the water of the installation to avoid a possible destruction of the taps, of the product by freezing the water.

Installation, equipment and commissioning of lighting poles, floor lamps, sconces and all products equipped with electrical installations **MUST BE MADE BY COMPANIES and AUTHORIZED PERSONS** for these activities.

If during the warranty a defect occurs, at the request of the warranty, the buyer has the obligation to present this document, the original invoice, the claimed product as defective in the original packaging, with all accessories initially delivered and a written presentation of the claimed defect.

Regardless of the delivery method, please make sure that you have received the appropriate documents, without which

For all purchased products we recommend the use of appropriate fasteners, we do not recommend the use of rusty, bent, reused fasteners, etc.

3. WARRANTY PERIOD

The following warranty periods apply to KroneMag products and commence on the date when the product is supplied:

Warranty for

- Cast iron / Aluminum / Metal products is 24 months for individuals and **24 months for legal entities**
- the paint on the metal elements is 24 months.
- wooden elements 24 months for individuals (repainting / varnishing at 24 months) and 24 months for legal entities
- taps, lighting fixtures is 24 months

Service parts used in repairs pursuant to this Defects Warranty Policy carry the remaining balance of the repaired product or one (1) year, whichever is greater.

4. HOW TO CLAIM UNDER THIS DEFECTS WARRANTY POLICY

Please send written notice of the defective product including the date of purchase, product details and the nature of any defect to **KRONEMAG MILLENIUM srl. Romania - Harman - 507085, Oltului st., no.40** or verkauf@kronemag.de / sales@kronemag.eu.

5. LIMITATIONS

This warranty will not cover products that:

- a) include customer-specified materials or finishes that are not part of KroneMag's standard product range at the time of manufacture;
- b) are not installed and maintained as recommended in KroneMag's written installation and maintenance guidelines;
- c) have not been used in accordance with any applicable usage guidelines;
- d) have been misused or usage is in excess of normal wear and tear;
- e) have been damaged for example as a result of collision, theft or vandalism; and/or catastrophe, cataclysm, accident
 - losses / damages during transport
 - improper use and storage of equipment / products*

* The foil in which the products are packaged must be removed within a maximum of 7 days from their receipt.

f) are manufactured by a third-party supplier and then resold by KroneMag without incorporating any KroneMag manufactured product into the third party product.

Finishes on KroneMag products are updated periodically to respond to the demands and changing preferences of our customers. As a result we may discontinue some finishes before expiration of the Applicable Warranty Period and do not guarantee that any replacement product or part will be identical to, or match the finish of, the original.

g) come into contact with or are directly exposed to saline, antifreeze, anti-snow, organic and inorganic chemicals that can lead to damage, destruction of the natural corrosion protection layer (of the paint in electrostatic field).

6. EU CONSUMER LAW

Our goods come with guarantees that cannot be excluded under the EU Consumer Law (ECL). Under the ECL you may be entitled to:
a) a replacement or refund for a major failure and compensation for any loss and other reasonably foreseeable loss or damage; or
b) have the goods repaired or replaced if they fail to be of acceptable quality and the failure does not amount to a major failure.
This Defects Warranty Policy gives benefits that are in addition to other rights and remedies under laws which may apply to the goods.

7. OTHER CONDITIONS

Consequential Damage

KroneMag will not be liable for any claimed loss or damages to ground coverings, walls, foundations, fixtures or any other consequential loss due to any defective product.

Not Covered

The warranty does not cover product assembly or disassembly charges, visits or calls by specialized technicians, costs incurred by the customer to remove or reinstall products or costs associated with the unavailability of the product.

Natural Materials

Any imperfections in finishes or in natural materials used should not be considered as faults but a typical characteristic of these crafted products.

Claim

All warranties given or implied are ex-factory and, due to the nature of all solid timber, cover workmanship only. This means if you have a warranty issue or claim the goods must be returned to the place of purchase before we can assess your claim.

Unless otherwise stated all purchases from KroneMag are covered by a one (1) year warranty from the purchase date. KroneMag offers to rectify, repair or replace any defects in material and workmanship in our whole range of products.

This warranty does not cover surface scratches, dents, chips, marks, accidental breakages, deliberate or negligent damage and normal wear and tear.

When calling regarding a warranty issue you will require your Invoice Number, so please ensure that you store this in a safe place.

We reserve the right to correct errors in pricing online and in-store.

Other rights

The benefits given by our warranty are additional to other rights and remedies that you may have under law. Our goods come with guarantees that cannot be excluded under the European Consumer Law. You are entitled to a replacement or refund for a major failure and for compensation for any other reasonably foreseeable loss or damage. You are also entitled to have the goods repaired or replaced if the goods fail to be of acceptable quality and the failure does not amount to a major failure.

Qualification

In the case of products requiring only minor rectification under warranty, KroneMag reserves the right to supply on a "parts only" basis to the customer where appropriate. Parts may include: battens, fixings, valves, bulbs, etc.

8. DECLARATION OF QUALITY AND CONFORMITY

We, KRONEMAG MILLENIUM srl Brasov, Harman, Stefan cel Mare s. 327M, registered in the Commercial Register. J08 / 247/2008, CUI23179283, we declare under our sole responsibility that the product (s): URBAN I.C.MD are suitable for external use (you can refer to the invoice if there are several products).

To this end, we ensure and guarantee, in accordance with the normative documents and in accordance with the applicable legal provisions, that the product (s) does not endanger life, health, safety and the environment if used as and when required by its owners, the maintenance rules are followed.

This declaration complies with the standards or normative requirements, respecting the provisions of HG 1022/2002.

SUPPLIER

KroneMag Millennium srl
România - Brasov - Harman
Str Stefan cel Mare, 327M - 507085

Date

03.11.2022