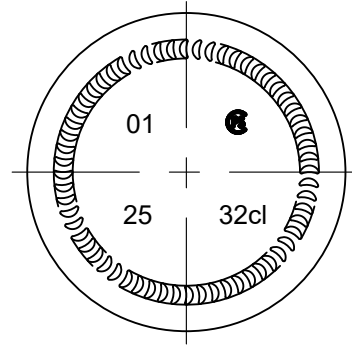
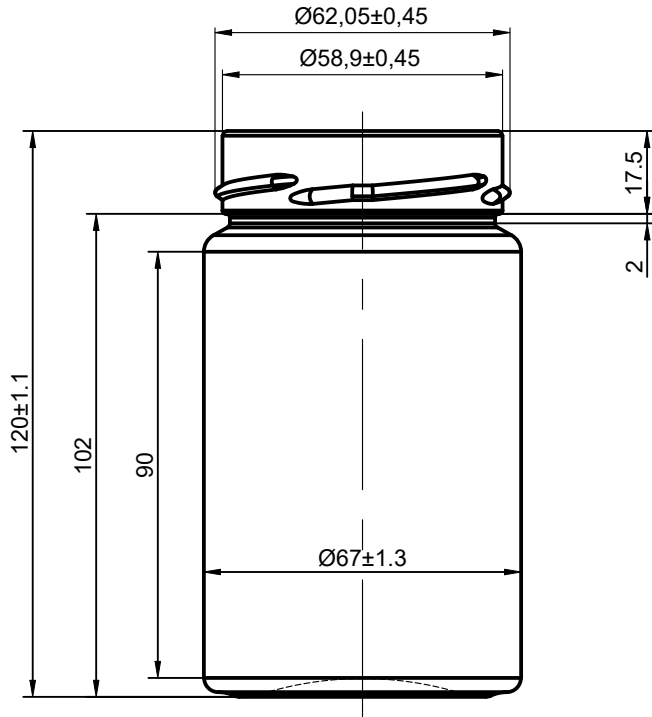


A.109



Bottom view

Characteristics

Full capacity, cm^3 - 320±9
 Weight recommended, g - 190
 Thickness of walls not less, mm - 1,2 ,
 Thickness of a bottom not less, mm - 2,0
 Thermal stability, difference of temperatures,
 not less, °C - 40
 Internal hydrostatic pressure
 not less, kgf/cm^2 - 3
 Resistance to effort of compression
 not less, N - 2200

Change	Letter	Document N	Signature	Date

A.109			
Letter	Weight	Scale	
		1:1	
Sheet 1		Sheets 3	
FSC		FSC	

Jar
 III-63-320
 "Pomodoro deep"
 Flint